

POST AND BEAM ENDWALL DETAILS

- AB0005 - COLD FORMED ENDWALL ERECTION NOTE DETAIL
- AB0010 - LOW EAVE - CF RAFTER
- AB0011 - LOW EAVE - CF RAFTER AT MASONRY
- AB0020 - LOW EAVE - BU RAFTER
- AB0025 - LOW EAVE - BU RAFTER (COL. ROTATED 90°)
- AB0030 - INTERIOR - CF RAFTER (SIMPLE SPAN)
- AB0040 - INTERIOR - CF RAFTERS (LAPPED)
- AB0045 - INTERIOR - CF RAFTERS (CONTINUOUS)
- AB0050 - INT. COL. TO RAFTER CONNECTION, W/BU & CF RAFTERS @ OPP. SIDES
- AB0070 - BU RAFTERS (SIMPLE SPAN)
- AB0080 - BU RAFTER (CONTINUOUS)
- AB0090 - HIGH EAVE - CF RAFTER
- AB0095 - HIGH EAVE - CF RAFTER (COL. ROTATED 90°)
- AB0098 - HIGH EAVE PARAPET - CF RAFTER
- AB0099 - EW CEE COLUMN TO RAFTER CONNECTION
- AB0110 - EW CEE COL TO RIDGE RAFTER CONN
- AB0120 - RIDGE COL. TO RAF. CONNECTION, W/ BU & CF RAFTERS @ OPP. SIDES
- AB0150 - EW RAFTER RIDGE CONN
- AB0200 - ENDWALL PIGGY-BACK CEE COLUMN TO RAFTER CONN
- AB0210 - ENDWALL PIGGY-BACK CEE COLUMN TO RAFTER CONN
- AB0220 - ENDWALL PIGGY-BACK CEE COLUMN TO RAFTER CONN
- AB0230 - ENDWALL PIGGY-BACK CEE COLUMN TO RIDGE RAFTER CONN
- AB0240 - ENDWALL PIGGY-BACK CEE COLUMN TO RAFTER CONN
- AB0250 - ENDWALL PIGGY-BACK CEE COLUMN TO RIDGE RAFTER CONN
- AB0510 - EW COL TO RAFTER CONN
- AB0515 - EW COL TO RAFTER CONN
- AB0516 - LOW EAVE COL. CF RAFTER @ MASONRY WALL (COL. ROT. 90 DEG)
- AB0517 - LOW EAVE COL. CF RAFTER @ MASONRY WALL (COL. ROT. 90 DEG)
- AB0530 - CF RAFTERS (SIMPLE SPAN)
- AB0535 - CF RAFTER (SIMPLE SPAN-COLUMN ROTATED 90 DEG)
- AB0540 - CF RAFTER (LAPPED)
- AB0545 - COLUMN TO CF RAFTER (CONTINUOUS)
- AB0550 - INTERMEDIATE COL. CONN. (SIMPLE SPAN W/ BU & CF RAF. @ OPP. SIDES)

AB0560 - BU RAFTER LEFT CF RAFTER RIGHT

AB0590 - HIGH EAVE (CF RAFTER)

AB0595 - EW COL TO RAFTER (COL ROTATED 90° @ HIGH EAVE)

AB0598 - EW COL. TO RAF. CONNECTION (HIGH EAVE @ PARAPET BY OTHERS)

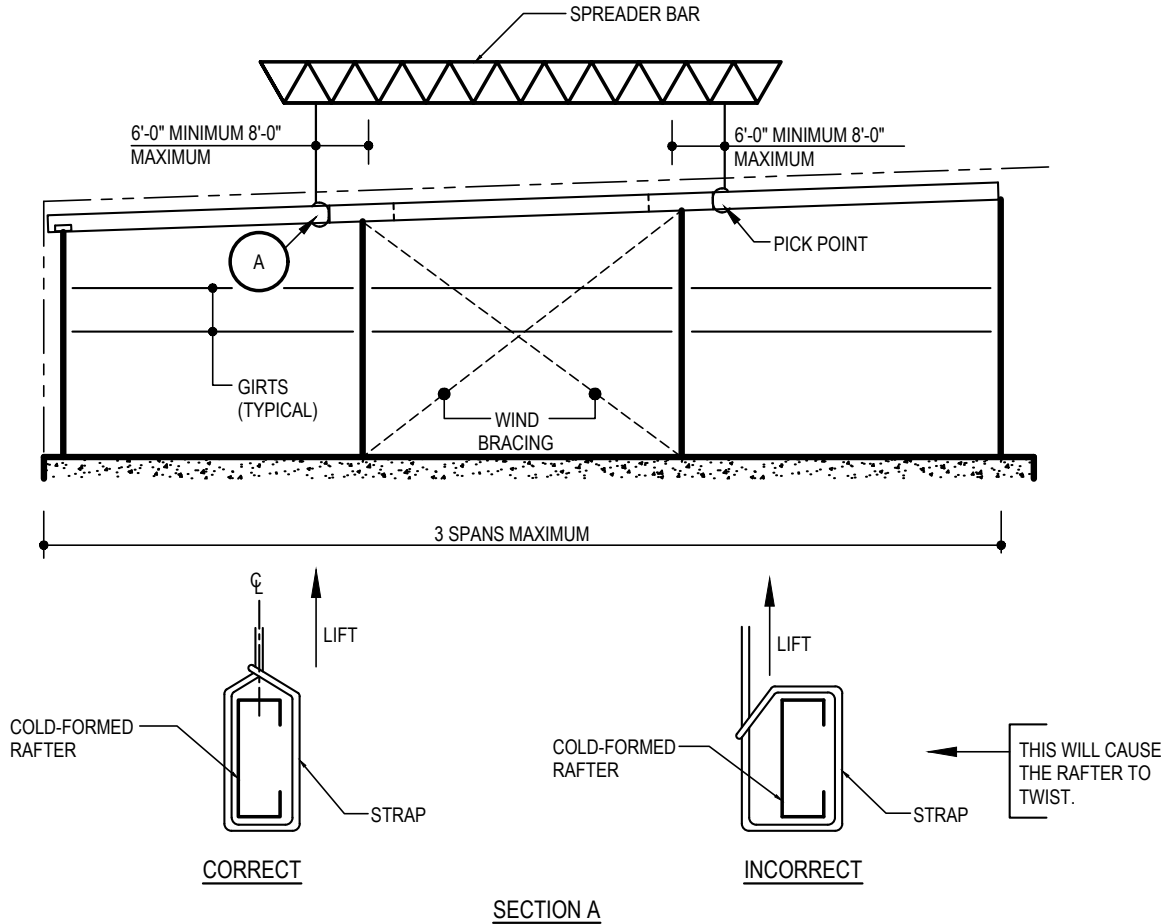
AB0599 - 90° ROTATED EW COL TO RAFTER CONN @ H EAVE (WITH PARAPET)

AB0610 - EW COL TO CF RAFTER CONN (@ RIDGE)

AB0620 - RIDGE (BU RAFTER RIGHT, CF RAFTER LEFT)

AB0005 - COLD FORMED ENDWALL ERECTION NOTE DETAIL

[Download the DWG file by clicking here.](#)



COLD FORMED ENDWALL ERECTOR DETAIL

- 1) GIRTS, CLIPS, RAFTERS AND COLUMNS MUST BE SECURELY AND TIGHTLY BOLTED TOGETHER PRIOR TO STANDING UP THE ENDWALL SECTION. (NOTE: THE GIRTS PROVIDE STABILITY TO THE ENDWALL SYSTEM DURING THE ERECTION PROCESS)
- 2) BUILT-UP COLUMNS/RAFTERS MUST BE ERECTED INDIVIDUALLY WHEN USED WITH COLD FORMED ENDWALL PARTS
- 3) THIS DETAIL IS SUGGESTED IN ORDER TO MAINTAIN STRUCTURAL INTEGRITY OF ENDWALL PARTS AFTER ERECTION. AND PRACTICALITY OF INDIVIDUAL SITUATIONS.
- 4) REGULATIONS SET FORTH BY THE OCCUPATIONAL SAFETY AND HEALTH ACT, LOCAL, STATE, AND/OR FEDERAL AGENCIES SHOULD BE ADHERED TO AT ALL TIMES. THE METAL BUILDING SUPPLIER IS NOT RESPONSIBLE FOR INJURY, DAMAGE, OR FAILURE WHICH MAY RESULT FROM FAILING TO MEET ANY OF THESE REGULATIONS.

AB0005

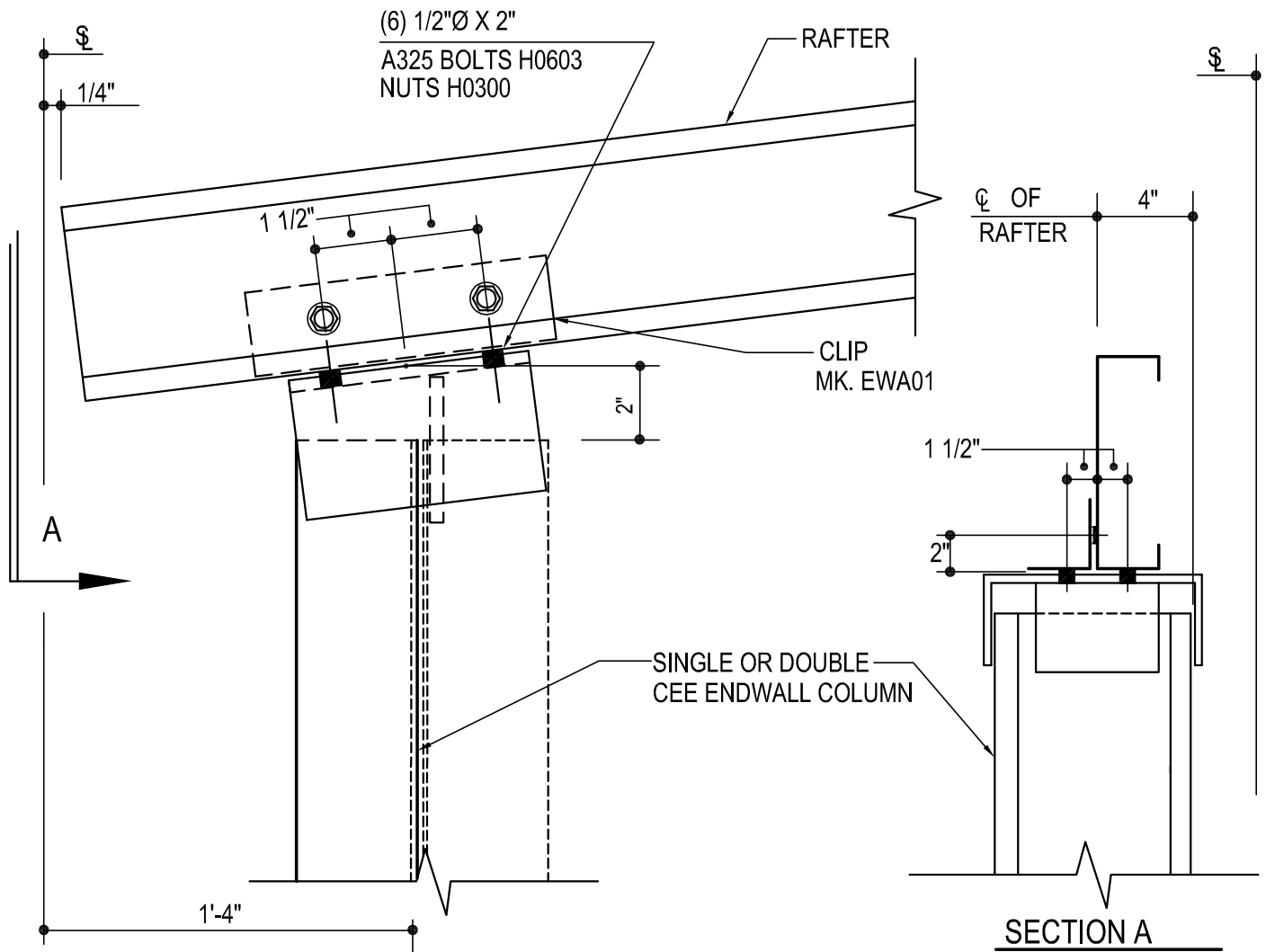
AB0005

Detailer Notes:

- 1) N/A

AB0010 - LOW EAVE - CF RAFTER

[Download the DWG file by clicking here.](#)



EW CEE COLUMN TO RAFTER CONN

COLUMN TOP CLIP FACTORY WELDED TO COLUMN
REFERENCE ERECTOR NOTE FOR TYPICAL WASHER REQUIREMENTS

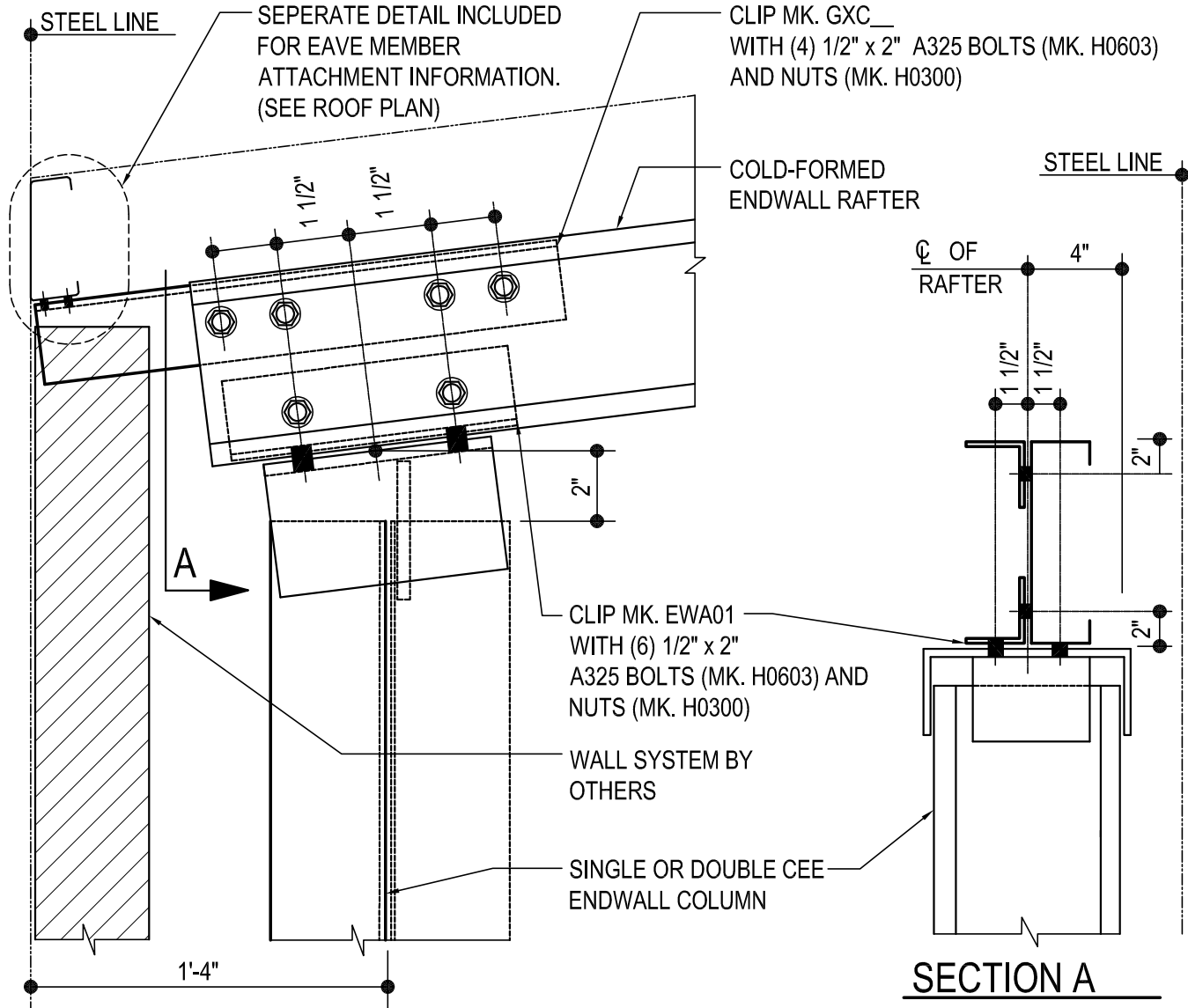
AB0010

Detailer Notes:

- 1) N/A

AB0011 - LOW EAVE - CF RAFTER AT MASONRY

[Download the DWG file by clicking here.](#)



EW CEE COLUMN TO RAFTER AT MASONRY

COLUMN TOP CLIP FACTORY WELDED TO COLUMN

REFERENCE ERECTOR NOTE FOR TYPICAL WASHER REQUIREMENTS

REFERENCE ROOF FRAMING PLAN FOR EAVE STRUT BOLT REQUIREMENTS

AB0011

Detailer Notes:

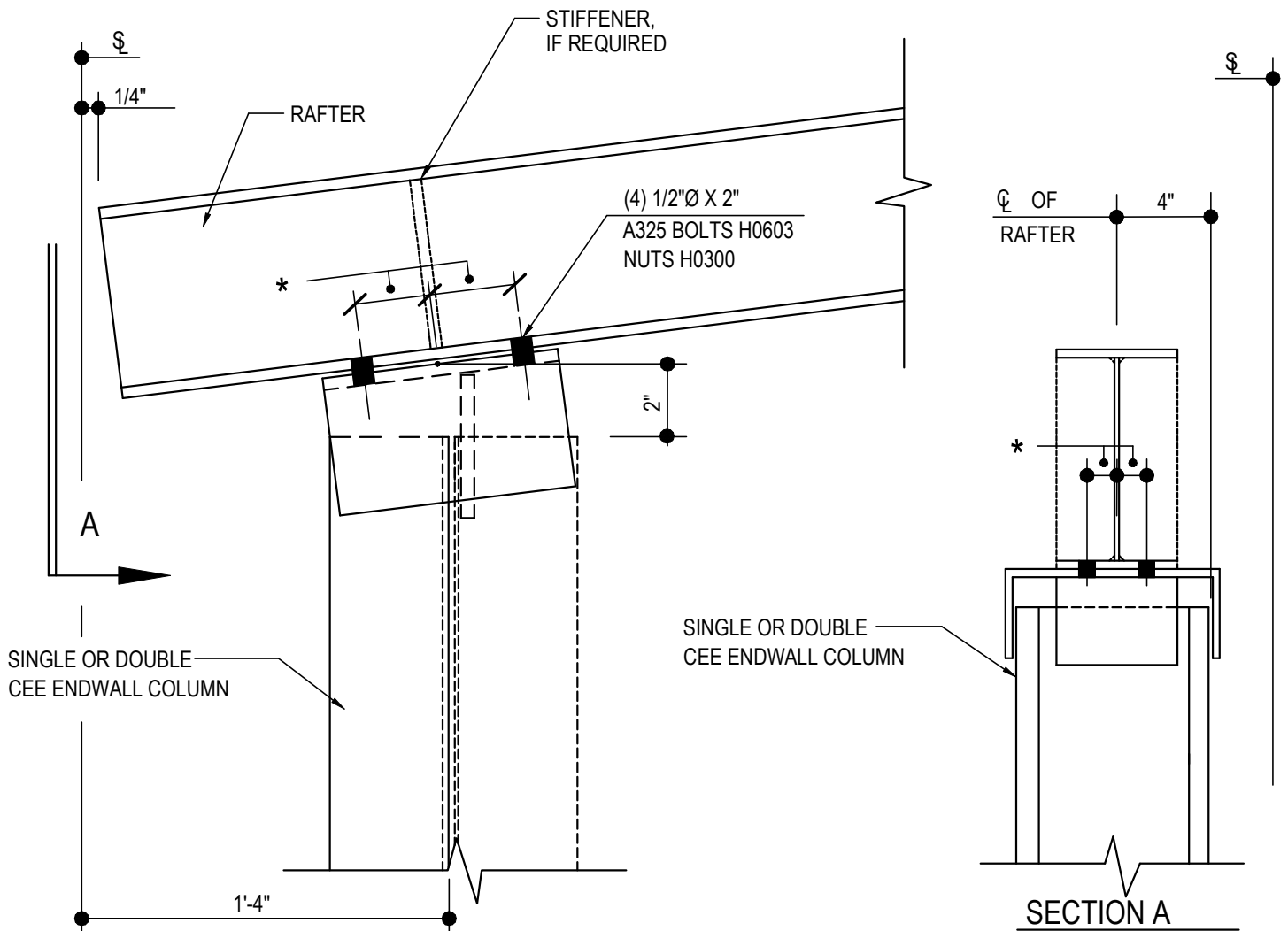
- 1) DETAILER MUST CREATE SPECIAL DETAIL FOR EAVE STRUT CONN. AND PLACE CALL OUT ON ROOF PLAN. DETAIL TO INCLUDE: **GXC- PART MARK & ATTACHING HARDWARE MARKS & QUANTITY.**

AB0020 - LOW EAVE - BU RAFTER

[Download the DWG file by clicking here.](#)

* - 1 1/8" GAGE @ 4" RAFTER FLANGE

* - 1 1/2" GAGE @ GREATER THAN 4" RAFTER FLANGE



EW CEE COLUMN TO RAFTER CONN

COLUMN TOP CLIP FACTORY WELDED TO COLUMN
REFERENCE ERECTOR NOTE FOR TYPICAL WASHER REQUIREMENTS

AB0020

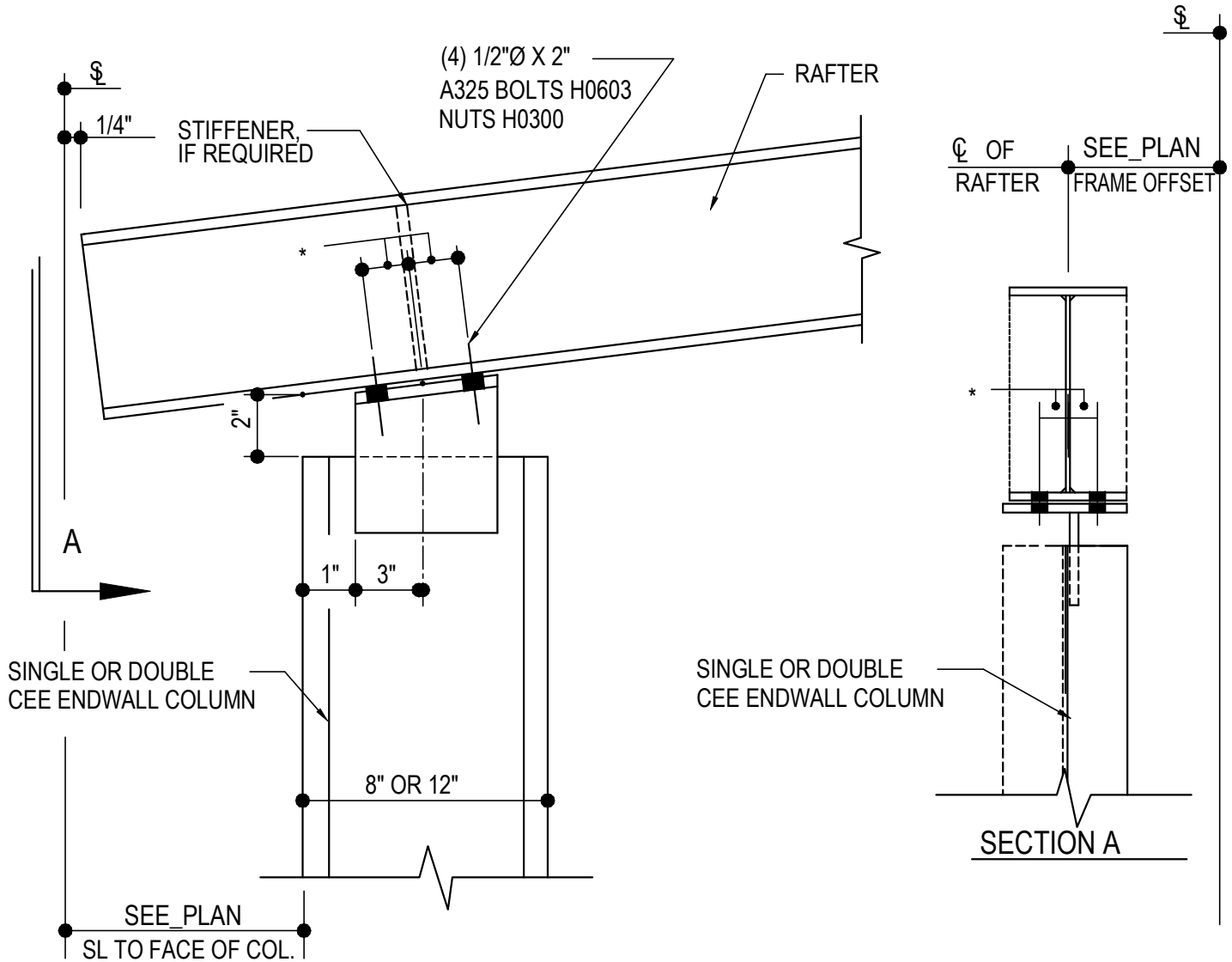
Detailer Notes:

- 1) N/A

AB0025 - LOW EAVE - BU RAFTER (COL. ROTATED 90°)

[Download the DWG file by clicking here.](#)

- * - 1 1/8" GAGE @ 4" RAFTER FLANGE
- * - 1 1/2" GAGE @ GREATER THAN 4" RAFTER FLANGE



EW CEE COLUMN TO RAFTER CONN

COLUMN TOP CLIP FACTORY WELDED TO COLUMN
REFERENCE ERECTOR NOTE FOR TYPICAL WASHER REQUIREMENTS

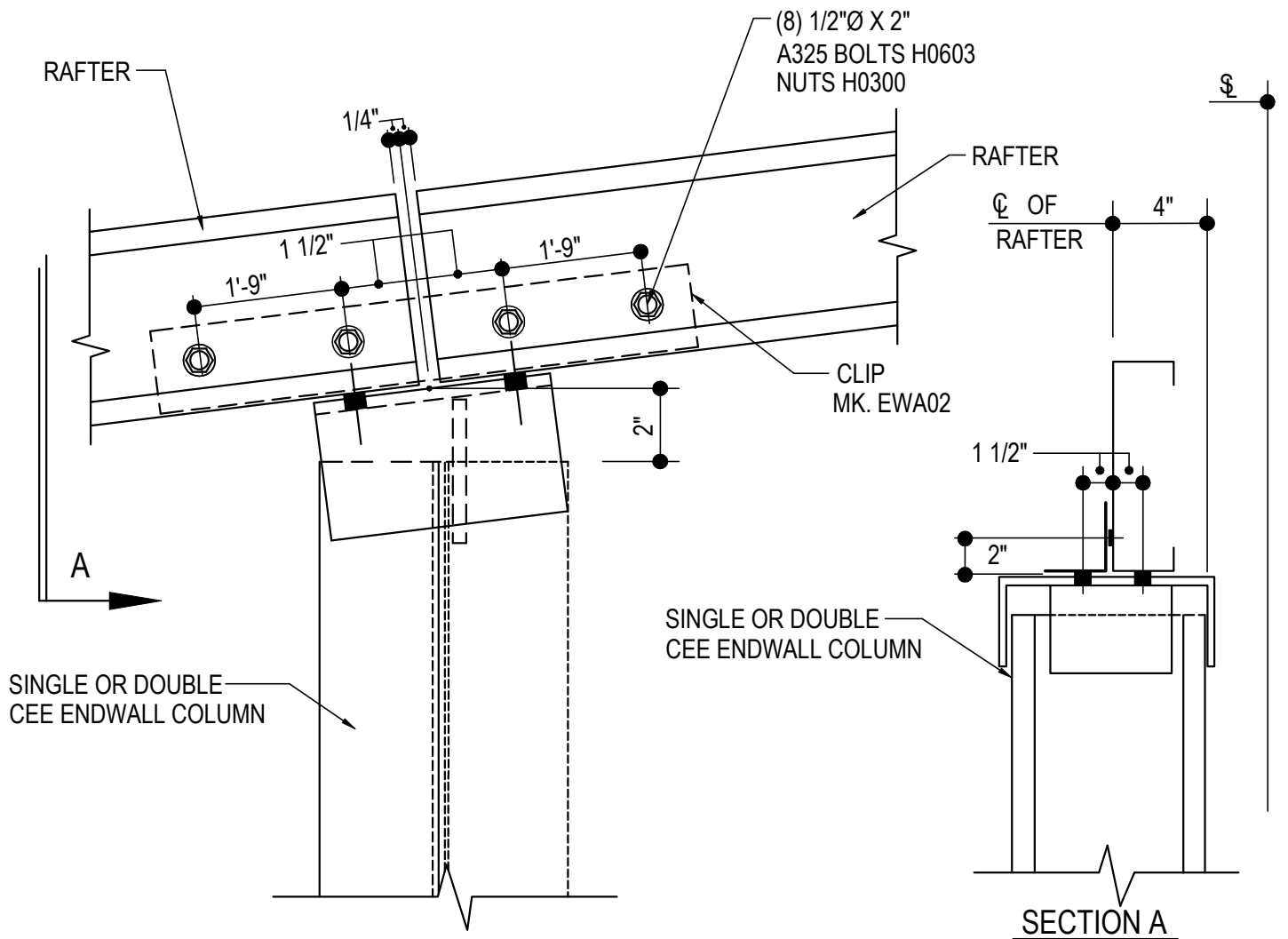
AB0025

Detailer Notes:

- 1) N/A

AB0030 - INTERIOR - CF RAFTER (SIMPLE SPAN)

[Download the DWG file by clicking here.](#)



EW CEE COLUMN TO RAFTER CONN

(SIMPLE SPAN)

COLUMN TOP CLIP FACTORY WELDED TO COLUMN

REFERENCE ERECTOR NOTE FOR TYPICAL WASHER REQUIREMENTS

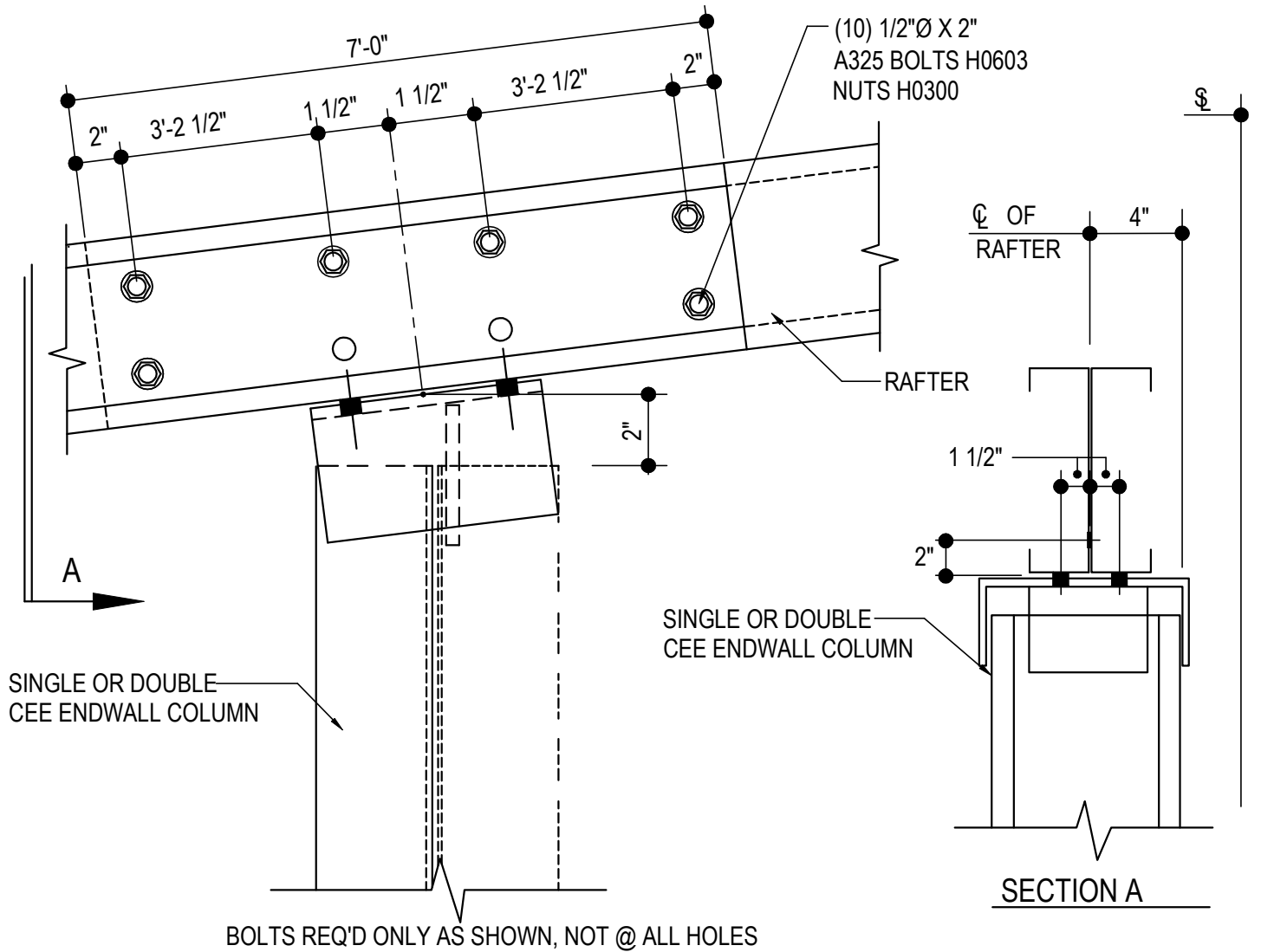
AB0030

Detailer Notes:

- 1) N/A

AB0040 - INTERIOR - CF RAFTERS (LAPPED)

[Download the DWG file by clicking here.](#)



EW CEE COLUMN TO RAFTER CONN

(LAPPED RAFTER)

COLUMN TOP CLIP FACTORY WELDED TO COLUMN

REFERENCE ERECTOR NOTE FOR TYPICAL WASHER REQUIREMENTS

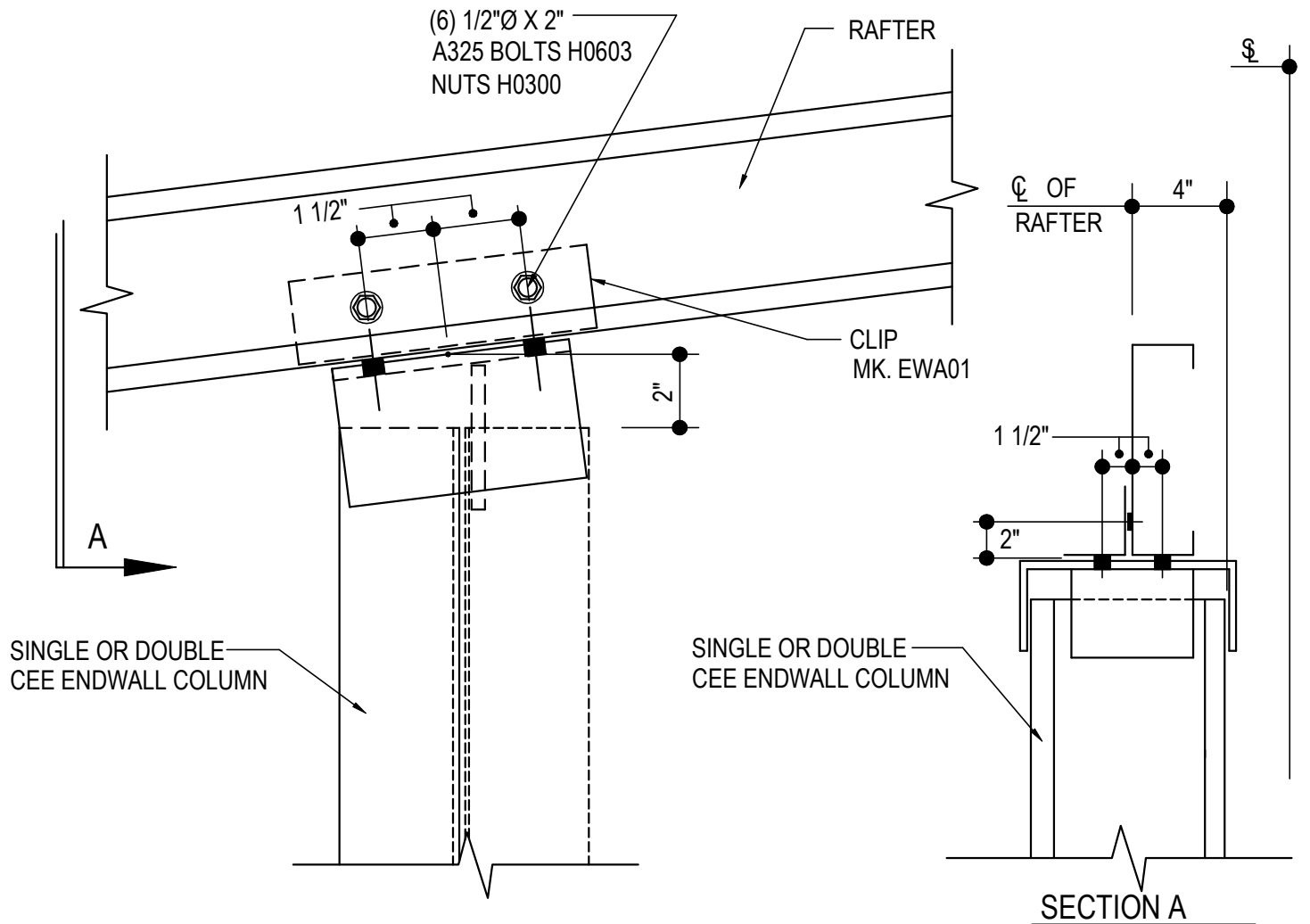
AB0040

Detailer Notes:

- 1) N/A

AB0045 - INTERIOR - CF RAFTERS (CONTINUOUS)

[Download the DWG file by clicking here.](#)



EW CEE COLUMN TO RAFTER CONN

(CONTINUOUS RAFTER)

COLUMN TOP CLIP FACTORY WELDED TO COLUMN

REFERENCE ERECTOR NOTE FOR TYPICAL WASHER REQUIREMENTS

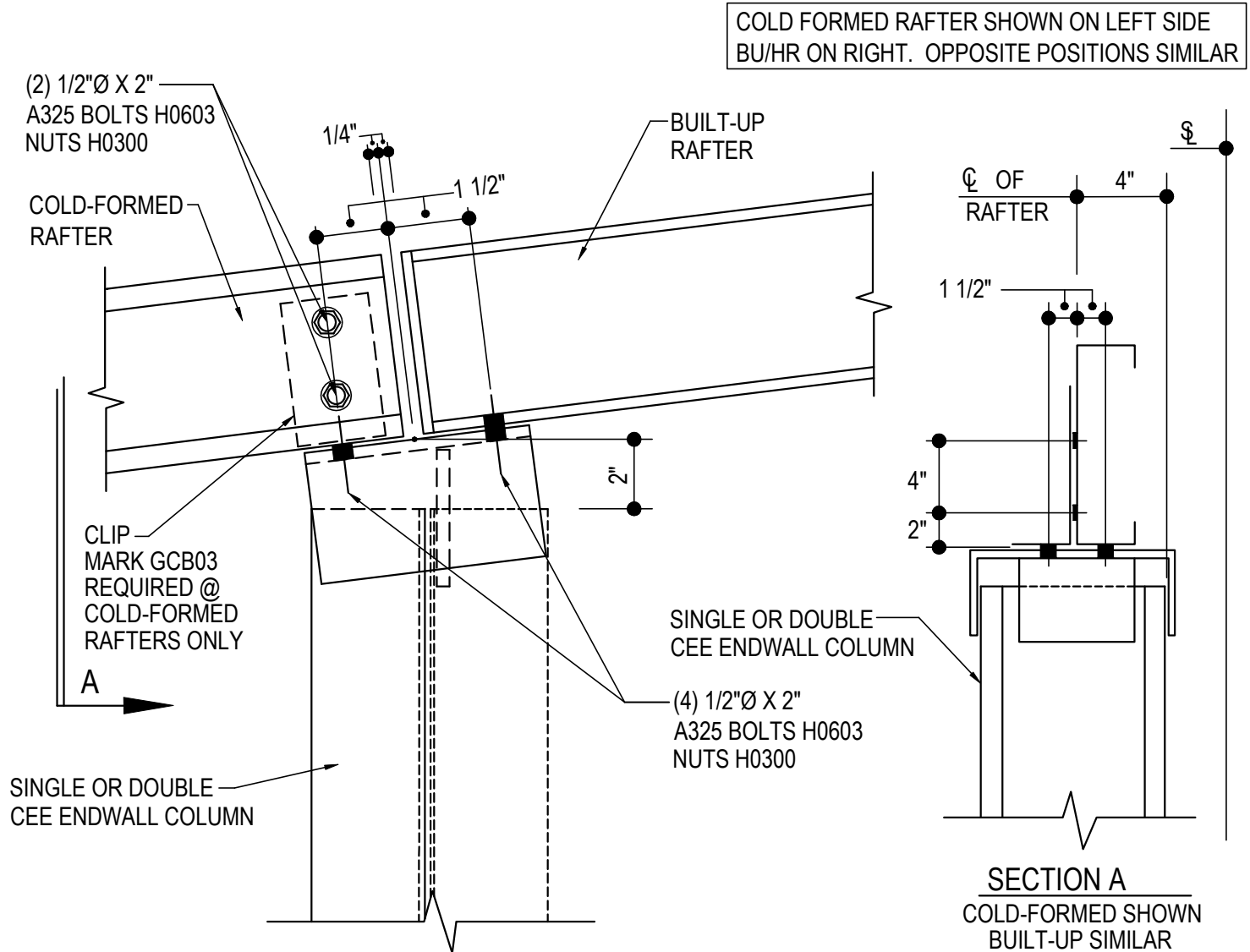
AB0045

Detailer Notes:

- 1) N/A

AB0050 - INT. COLUMN TO RAFTER CONNECTION, W/BU & CF RAFTERS @ OPP. SIDES

[Download the DWG file by clicking here.](#)



EW CEE COLUMN TO RAFTER CONN

BOLT COLUMN TO RAFTER FLANGES AS SHOWN
COLUMN TOP CLIP FACTORY WELDED TO COLUMN
REFERENCE ERECTOR NOTE FOR TYPICAL WASHER REQUIREMENTS

AB0050

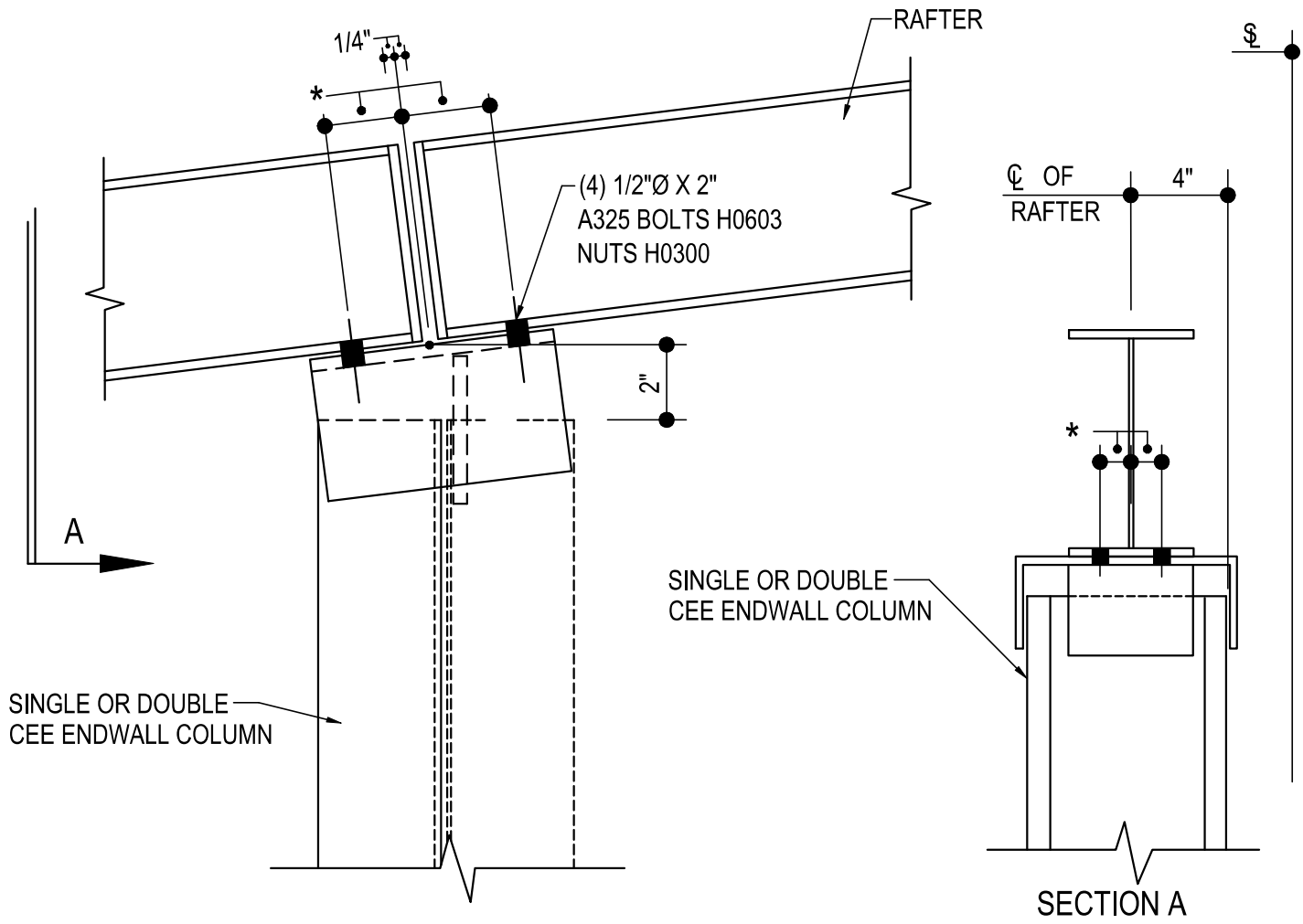
Detailer Notes:

- 1) N/A

AB0070 - BU RAFTERS (SIMPLE SPAN)

[Download the DWG file by clicking here.](#)

- * - 1 1/8" GAGE @ 4" RAFTER FLANGE
- * - 1 1/2" GAGE @ GREATER THAN 4" RAFTER FLANGE



EW CEE COLUMN TO RAFTER CONN

COLUMN TOP CLIP FACTORY WELDED TO COLUMN
REFERENCE ERECTOR NOTE FOR TYPICAL WASHER REQUIREMENTS

AB0070

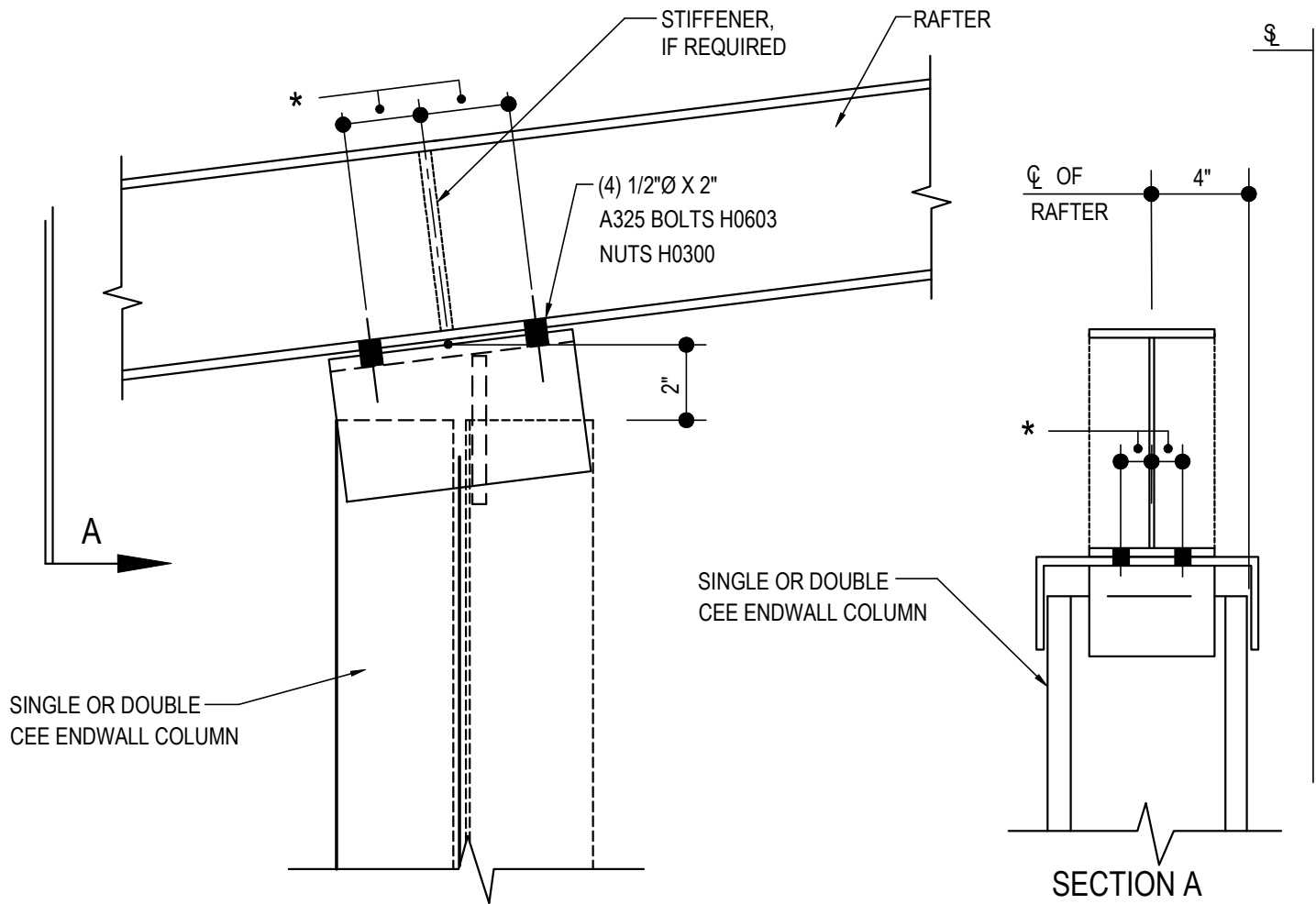
Detailer Notes:

- 1) N/A

AB0080 - BU RAFTER (CONTINUOUS)

[Download the DWG file by clicking here.](#)

- * - 1 1/8" GAGE @ 4" RAFTER FLANGE
- * - 1 1/2" GAGE @ GREATER THAN 4" RAFTER FLANGE



EW CEE COLUMN TO RAFTER CONN

(CONTINUOUS RAFTER)

COLUMN TOP CLIP FACTORY WELDED TO COLUMN

REFERENCE ERECTOR NOTE FOR TYPICAL WASHER REQUIREMENTS

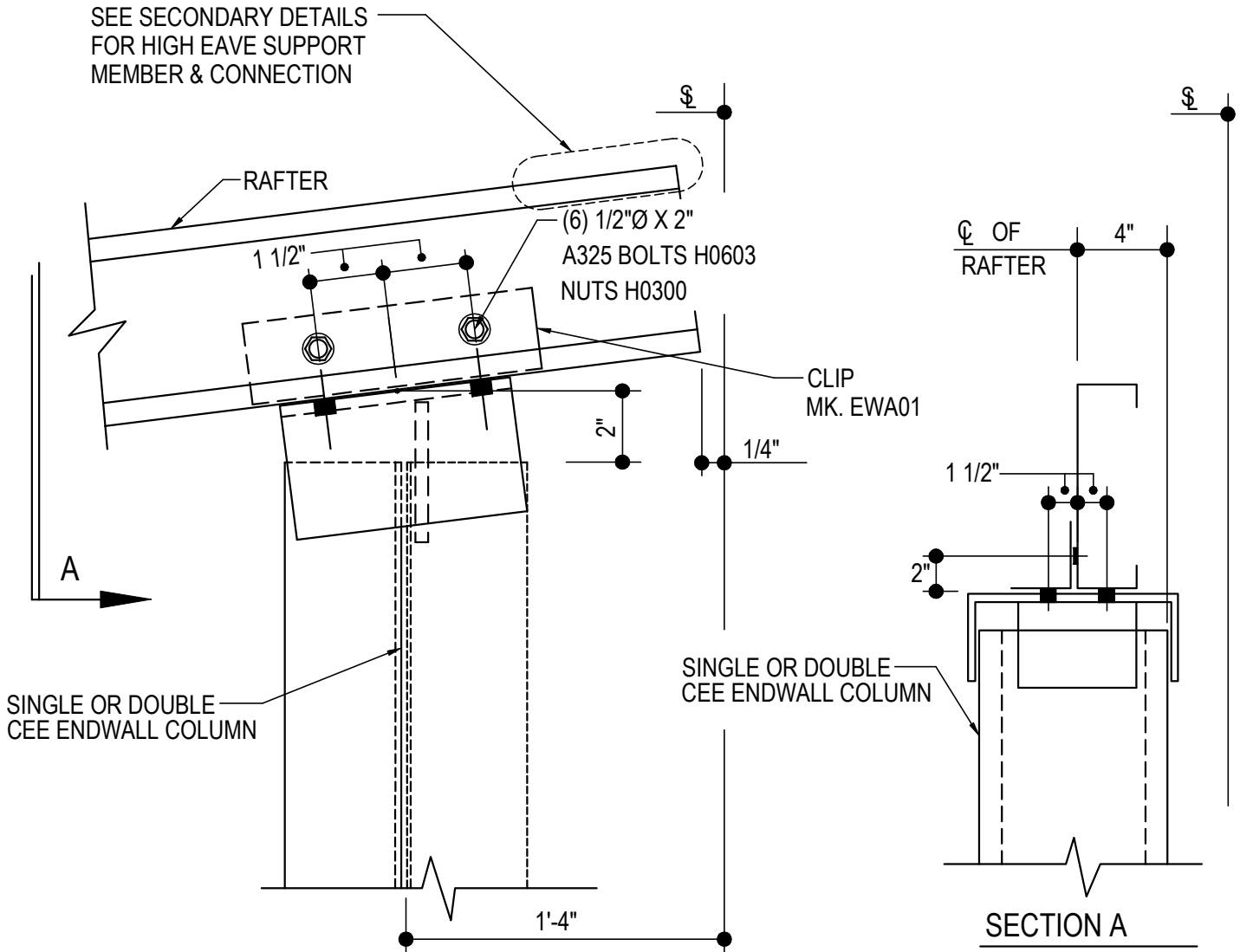
AB0080

Detailer Notes:

- 1) N/A

AB0090 - HIGH EAVE - CF RAFTER

[Download the DWG file by clicking here.](#)



EW CEE COLUMN TO RAFTER CONN

COLUMN TOP CLIP FACTORY WELDED TO COLUMN
REFERENCE ERECTOR NOTE FOR TYPICAL WASHER REQUIREMENTS

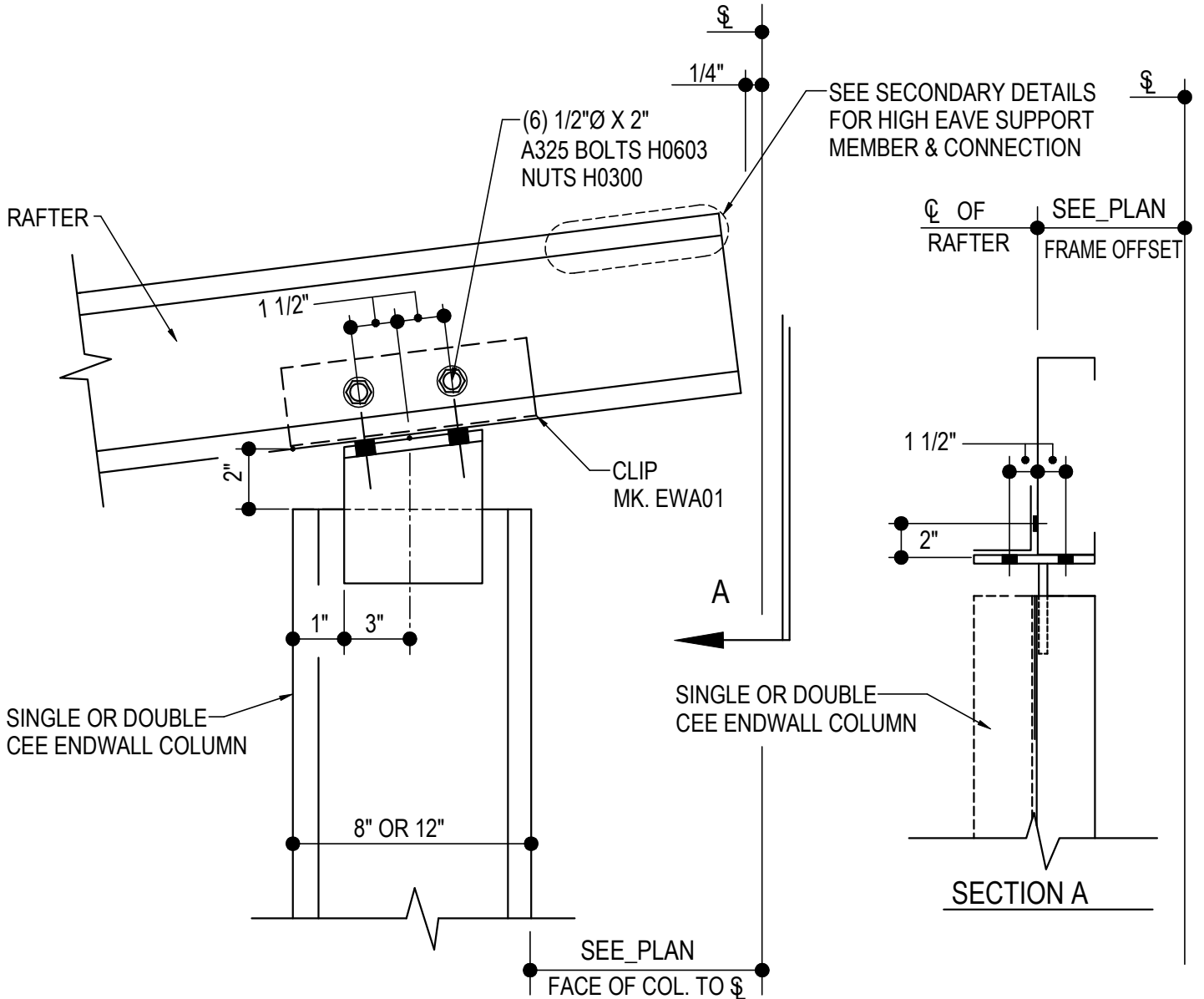
AB0090

Detailer Notes:

- 1) N/A

AB0095 - HIGH EAVE - CF RAFTER (COL. ROTATED 90°)

[Download the DWG file by clicking here.](#)



EW CEE COLUMN TO RAFTER CONN

COLUMN TOP CLIP FACTORY WELDED TO COLUMN
REFERENCE ERECTOR NOTE FOR TYPICAL WASHER REQUIREMENTS

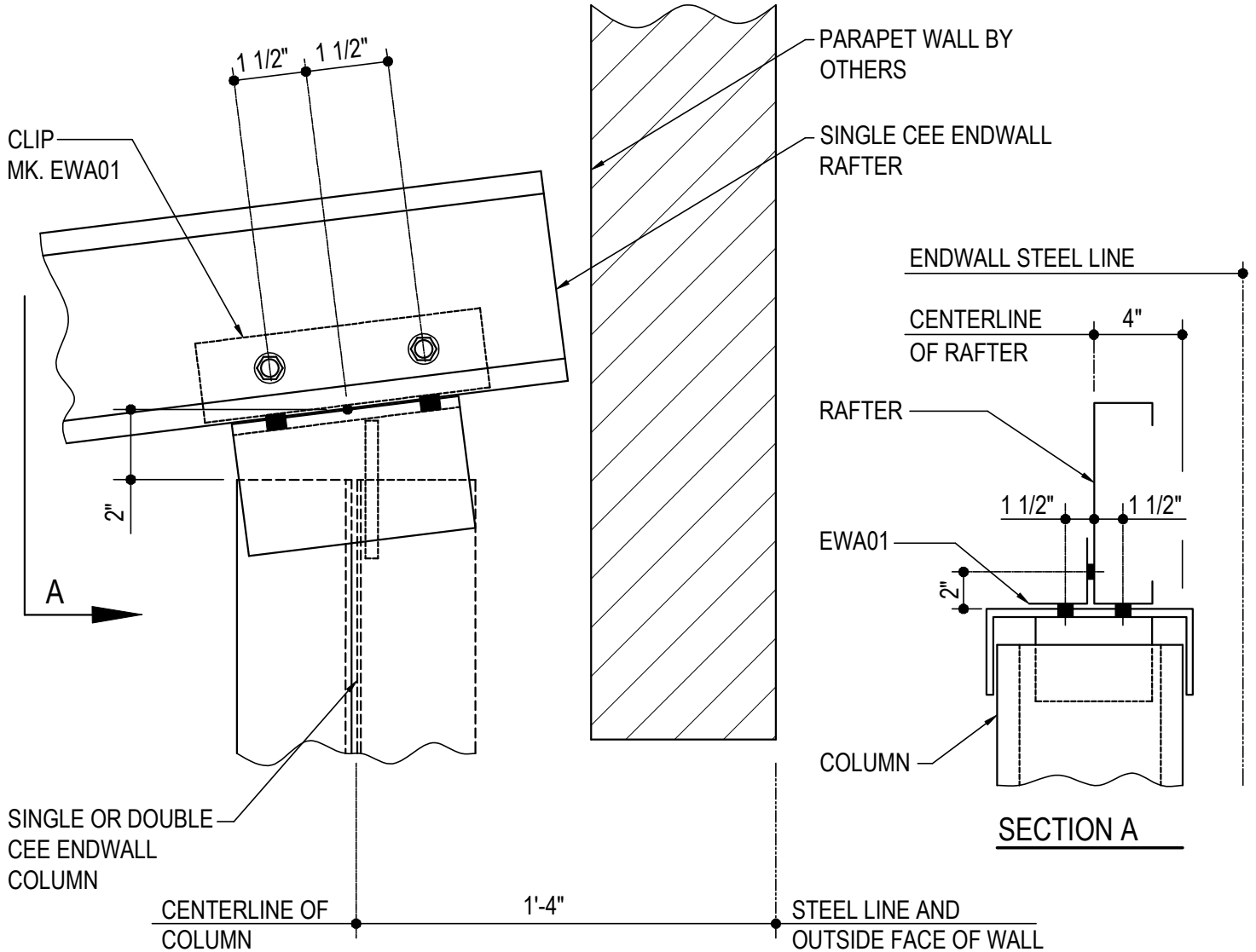
AB0095

Detailer Notes:

- 1) N/A

AB0098 - HIGH EAVE PARAPET - CF RAFTER

[Download the DWG file by clicking here.](#)



EW CEE COLUMN TO RAFTER CONNECTION

COLUMN TOP CLIP FACTORY WELDED TO COLUMN

USE (6) 1/2"Ø x 2" A325 BOLTS (MK. H0603) & NUTS (MK. H0300)

REFERENCE ERECTOR NOTE FOR TYPICAL WASHER REQUIREMENTS

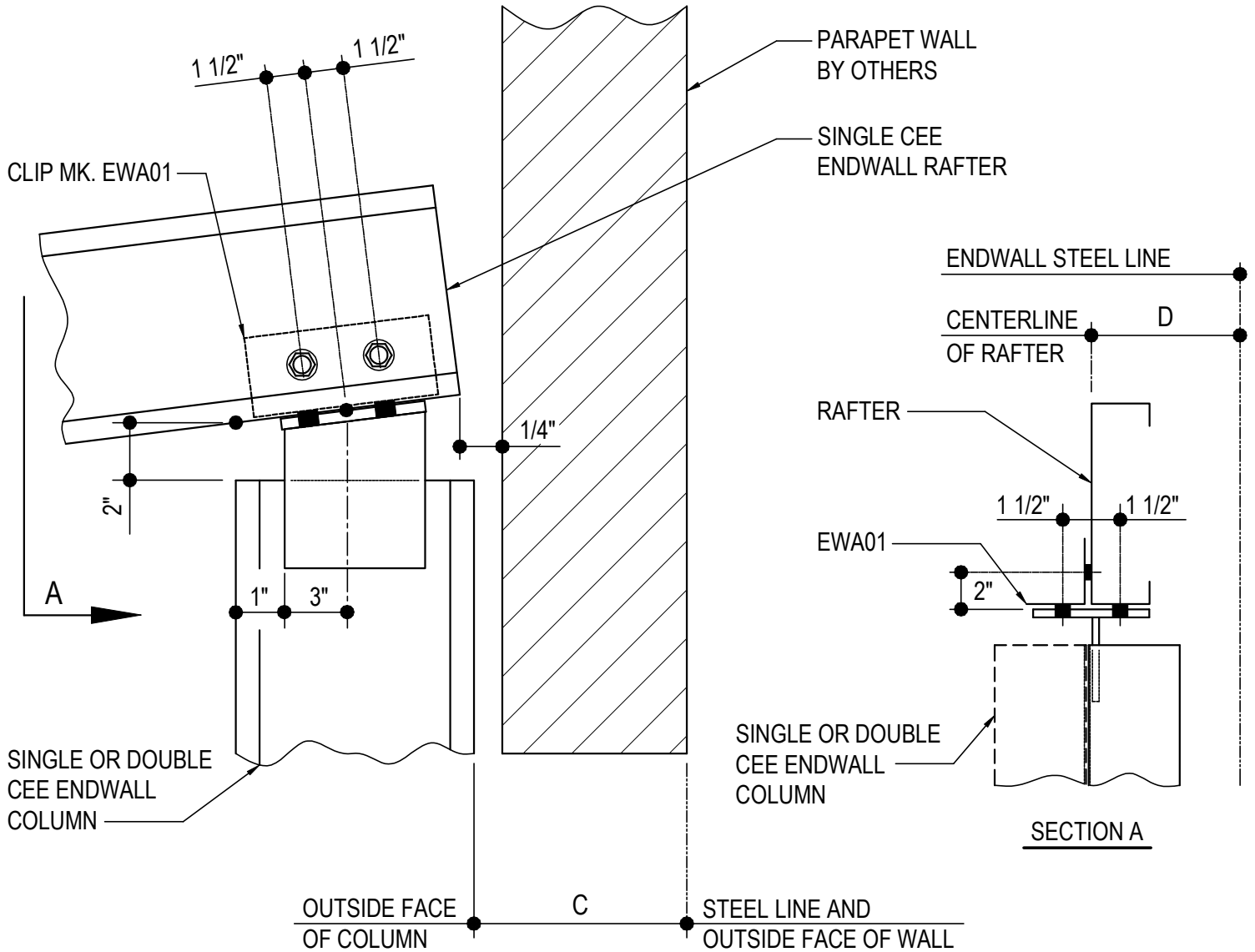
AB0098

Detailer Notes:

- 1) N/A

AB0099 - EW CEE COLUMN TO RAFTER CONNECTION

[Download the DWG file by clicking here.](#)



EW CEE COLUMN TO RAFTER CONNECTION

COLUMN TOP CLIP FACTORY WELDED TO COLUMN

USE (6) 1/2"Ø x 2" A325 BOLTS (MK. H0603) & NUTS (MK. H0300)

REFERENCE ERECTOR NOTE FOR TYPICAL WASHER REQUIREMENTS

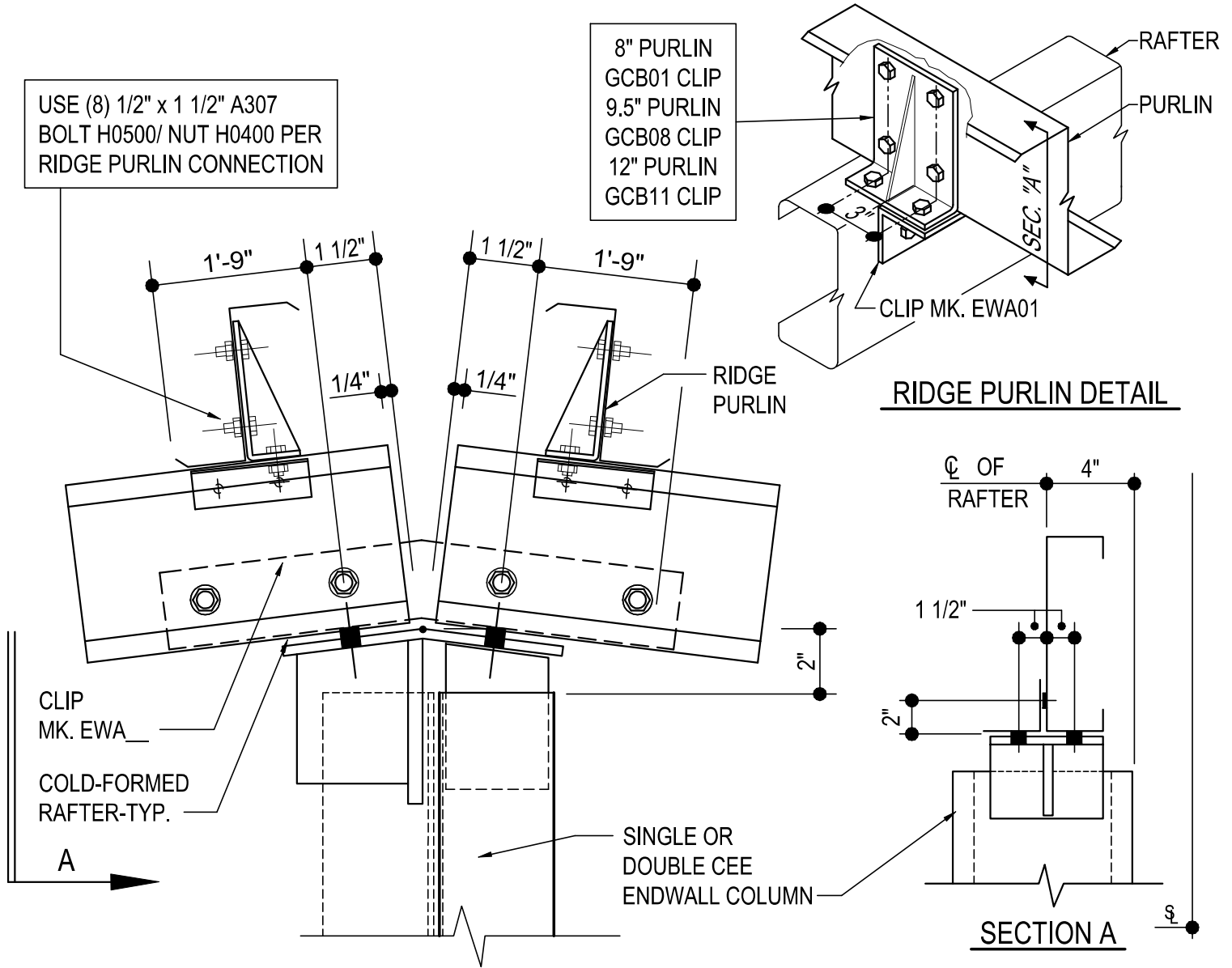
AB0099

Detailer Notes:

- 1) N/A

AB0110 - EW CEE COL TO RIDGE RAFTER CONN

[Download the DWG file by clicking here.](#)



EW CEE COL TO RIDGE RAFTER CONN

BOLT COL. TO RAF. FLANGE AND WEB W/
 (8) 1/2" X 2" A325 BOLTS H0603/NUTS H0300
 EWA__ CLIP MUST BE INSTALLED AS SHOWN
 REFERENCE ERECTOR NOTE FOR TYPICAL WASHER REQUIREMENTS

AB0110

AB0110

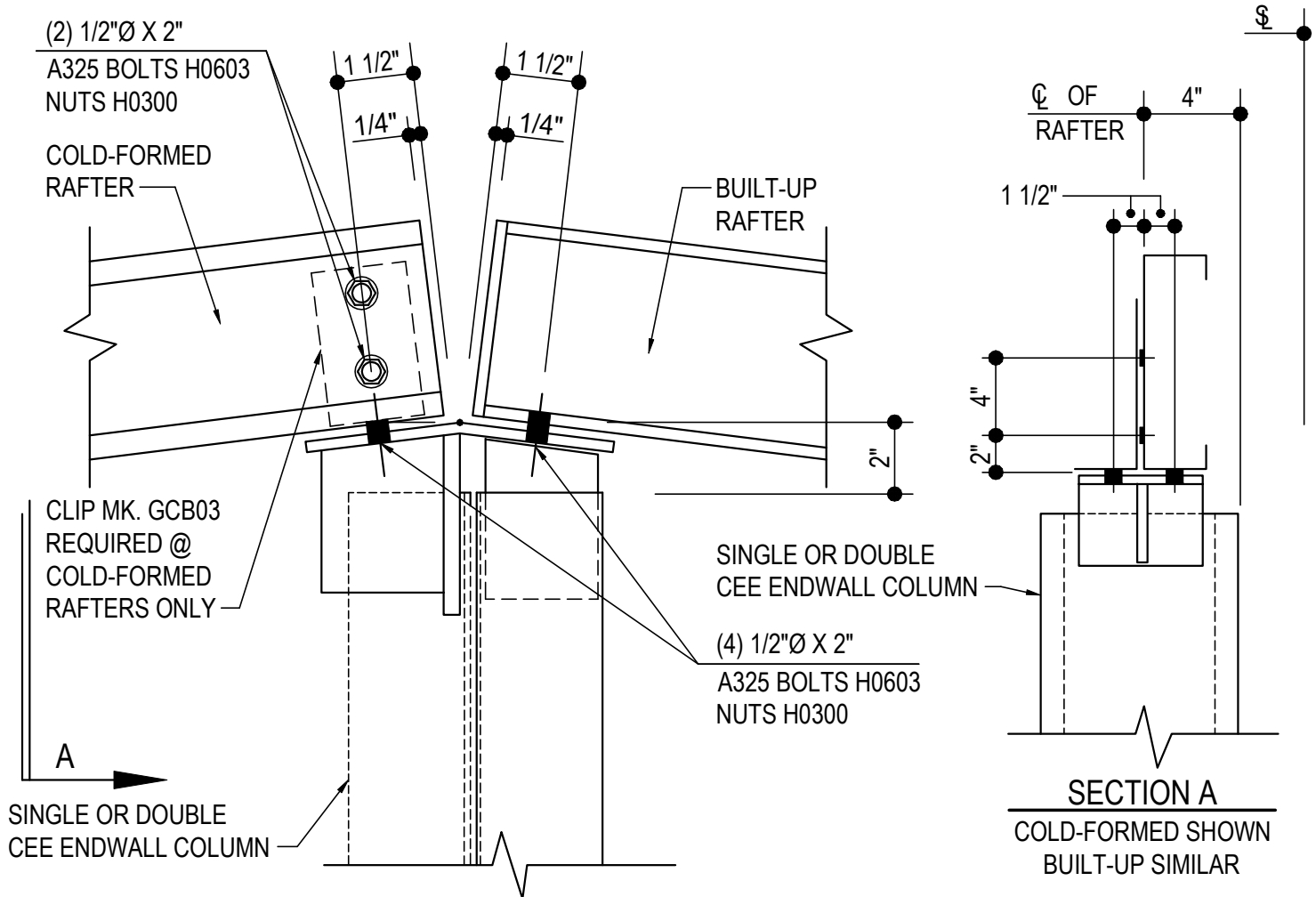
Detailer Notes:

- 1) N/A

AB0120 - RIDGE COLUMN TO RAFTER CONNECTION, W/ BU & CF RAFTERS @ OPP. SIDES

[Download the DWG file by clicking here.](#)

COLD FORMED RAFTER SHOWN ON LEFT SIDE,
BU/HR ON RIGHT. OPPOSITE POSITION SIMILAR.



AB0120

EW CEE COL TO RIDGE RAFTER CONN

BOLT COLUMN TO RAFTER FLANGES AS SHOWN
REFERENCE ERECTOR NOTE FOR TYPICAL WASHER REQUIREMENTS

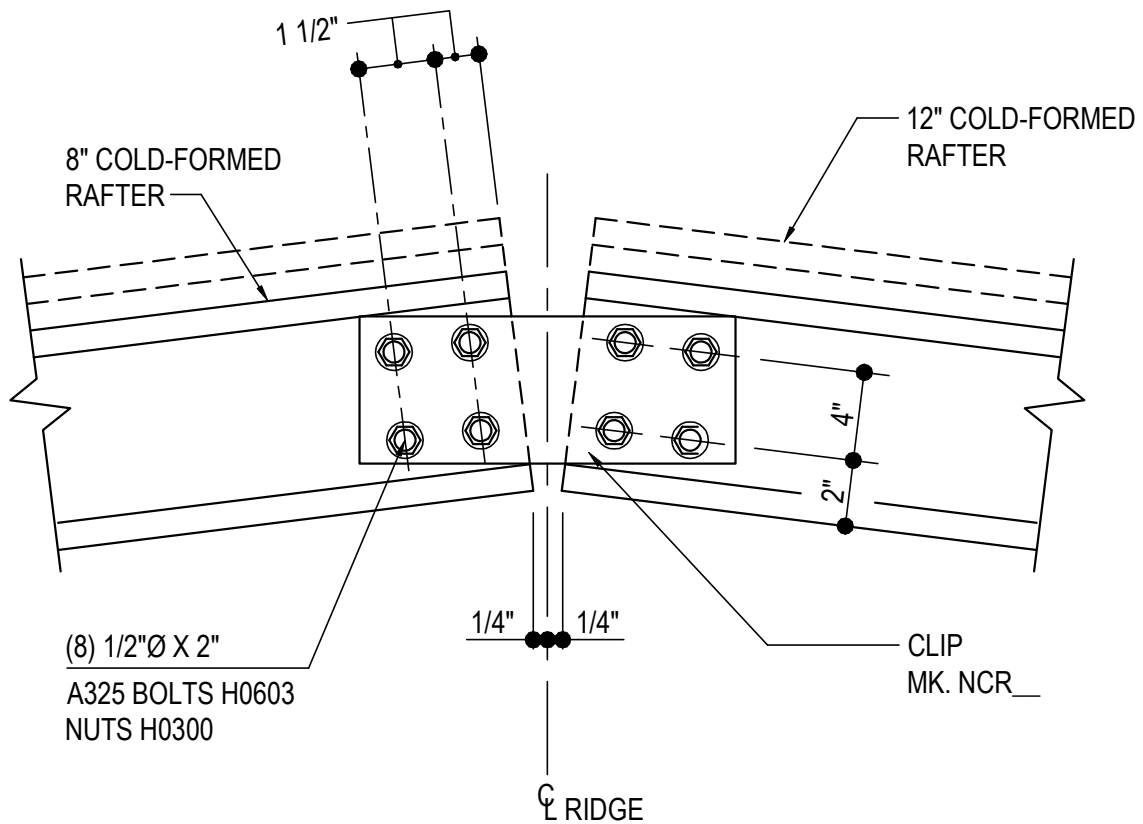
AB0120

Detailer Notes:

- 1) N/A

AB0150 - EW RAFTER RIDGE CONN

[Download the DWG file by clicking here.](#)



AB0150

EW RAFTER RIDGE CONN

REFERENCE ERECTOR NOTE FOR TYPICAL WASHER REQUIREMENTS

AB0150

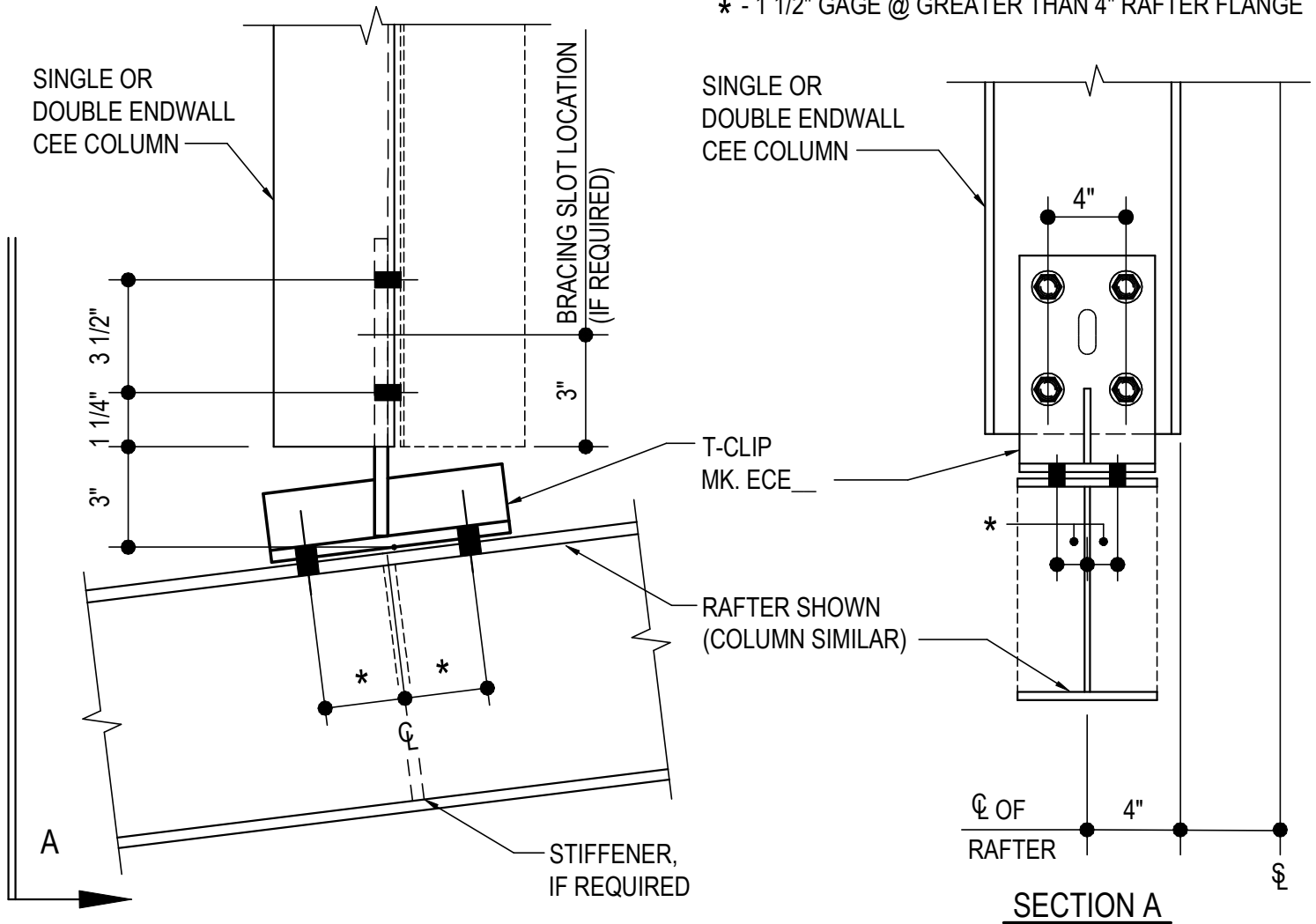
Detailer Notes:

- 1) N/A

AB0200 - ENDWALL PIGGY-BACK CEE COLUMN TO RAFTER CONN

[Download the DWG file by clicking here.](#)

- * - 1 1/8" GAGE @ 4" RAFTER FLANGE
- * - 1 1/2" GAGE @ GREATER THAN 4" RAFTER FLANGE



**ENDWALL PIGGY-BACK CEE
COLUMN TO RAFTER CONN**

USE (8) 1/2" Ø X 2" A325 BOLTS H0603 / NUTS H0300
REFERENCE ERECTOR NOTE FOR TYPICAL WASHER REQUIREMENTS

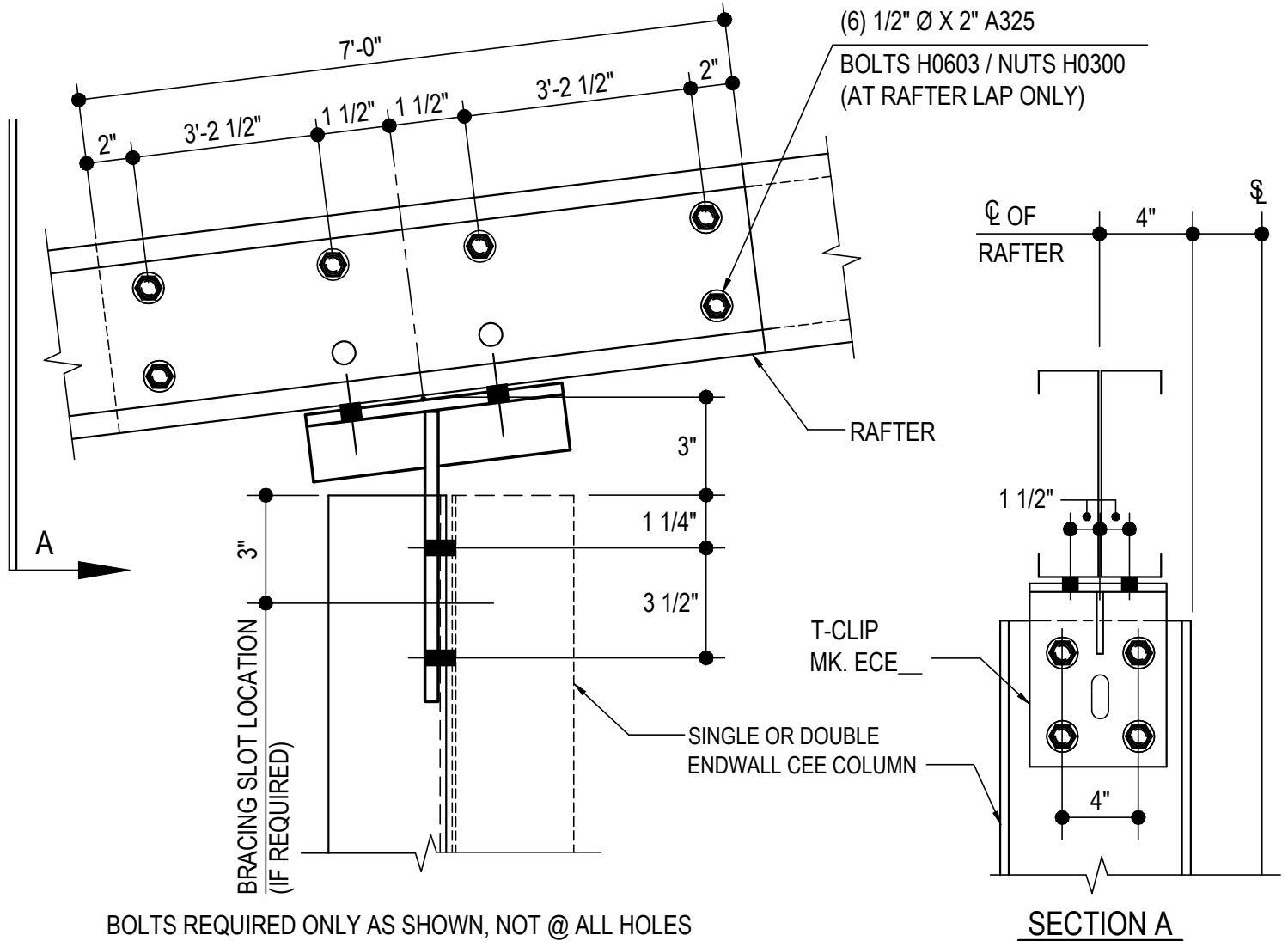
AB0200

Detailer Notes:

- 1) N/A

AB0210 - ENDWALL PIGGY-BACK CEE COLUMN TO RAFTER CONN

[Download the DWG file by clicking here.](#)



**ENDWALL PIGGY-BACK CEE
COLUMN TO RAFTER CONN**

LAPPED COLD-FORM RAFTER

USE (8) 1/2" Ø X 2" A325 BOLTS H0603 / NUTS H0300

REFERENCE ERECTOR NOTE FOR TYPICAL WASHER REQUIREMENTS

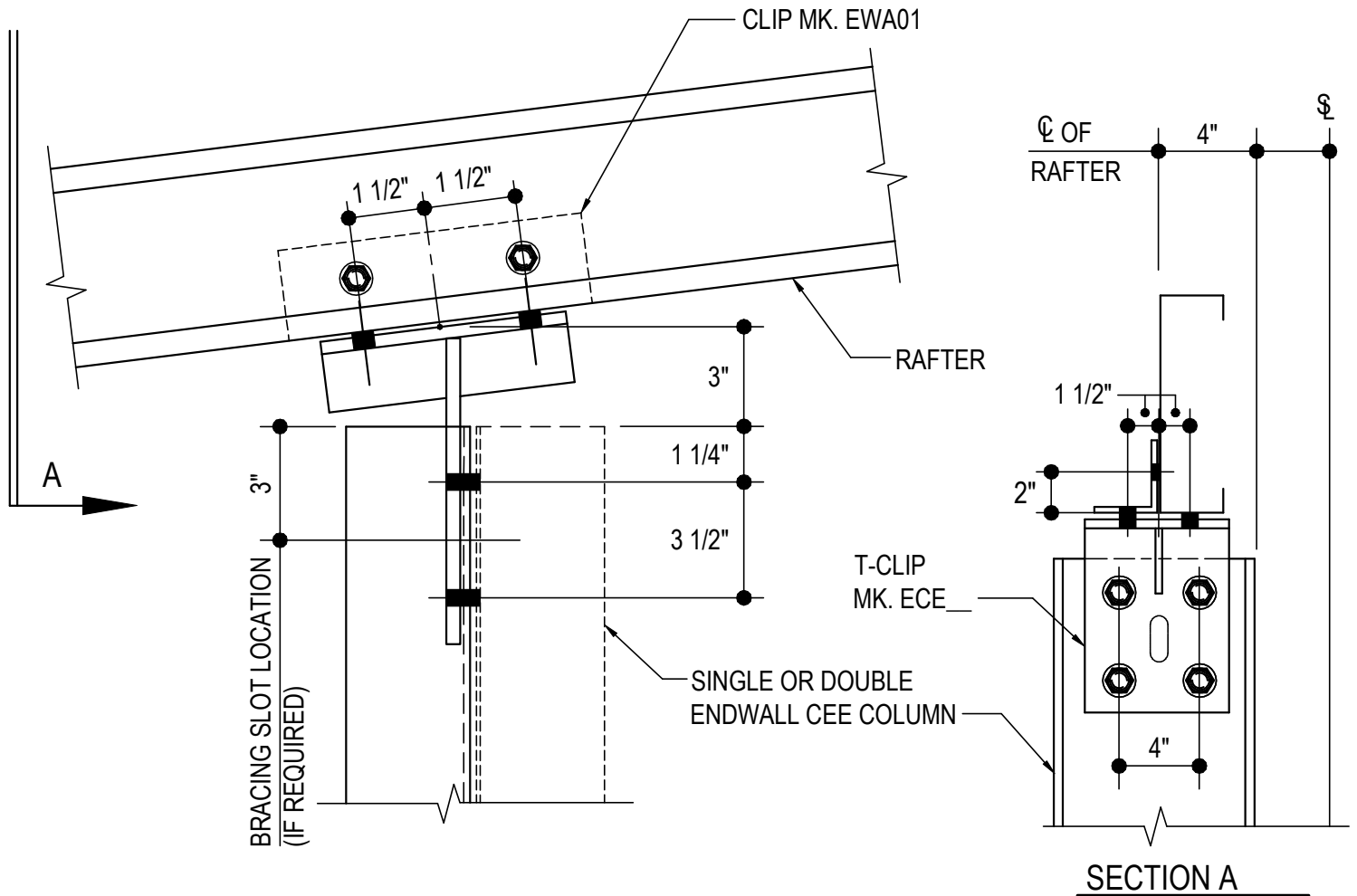
AB0210

Detailer Notes:

- 1) N/A

AB0220 - ENDWALL PIGGY-BACK CEE COLUMN TO RAFTER CONN

[Download the DWG file by clicking here.](#)



**ENDWALL PIGGY-BACK CEE
COLUMN TO RAFTER CONN**

SINGLE COLD-FORM RAFTER

USE (10) 1/2" Ø X 2" A325 BOLTS H0603 / NUTS H0300

REFERENCE ERECTOR NOTE FOR TYPICAL WASHER REQUIREMENTS

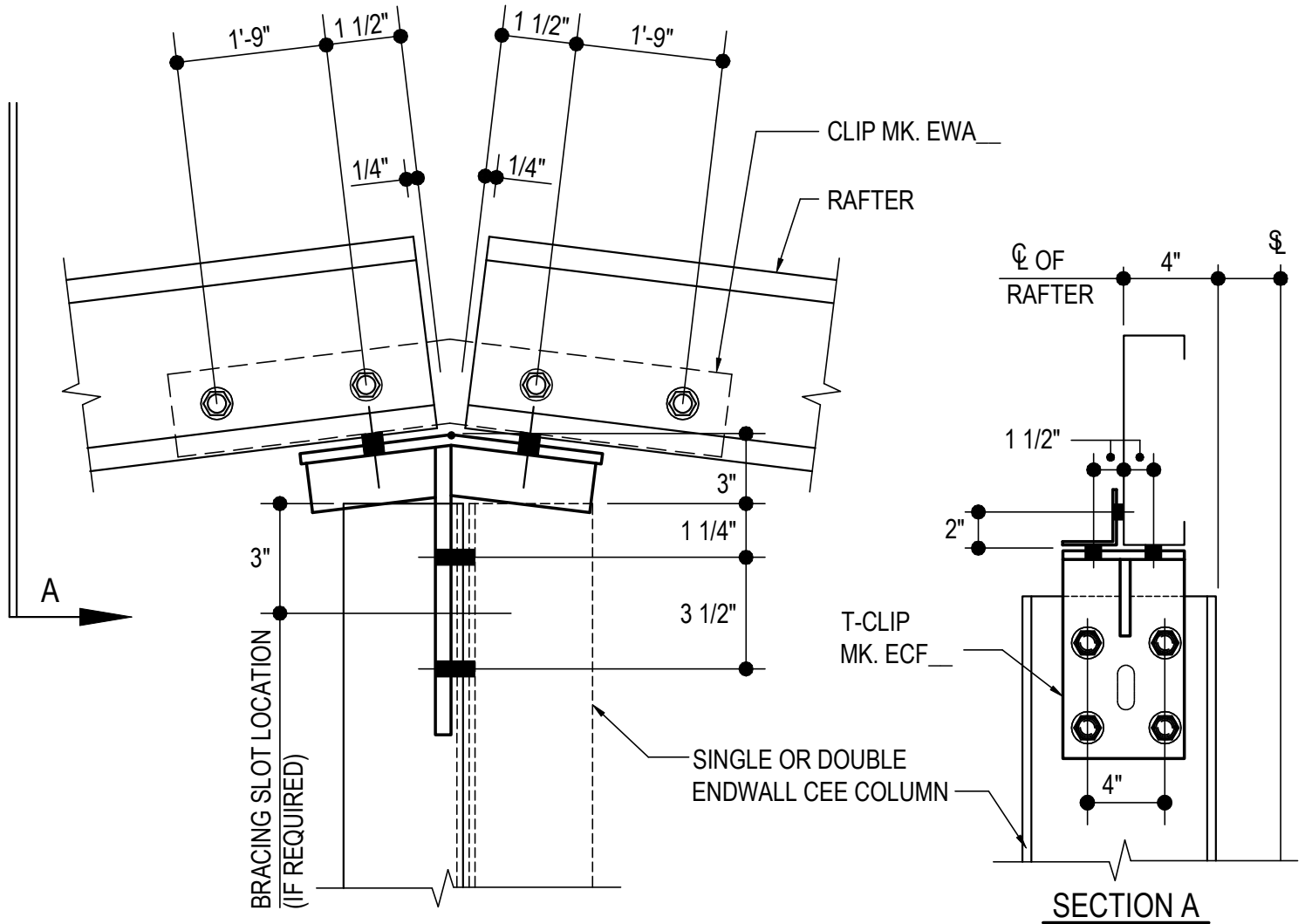
AB0220

Detailer Notes:

- 1) N/A

AB0230 - ENDWALL PIGGY-BACK CEE COLUMN TO RIDGE RAFTER CONN

[Download the DWG file by clicking here.](#)



**ENDWALL PIGGY-BACK CEE
COLUMN TO RIDGE RAFTER CONN**

COLD FORM RIDGE RAFTER CONNECTION

USE (12) 1/2" Ø X 2" A325 BOLTS H0603 / NUTS H0300

REFERENCE ERECTOR NOTE FOR TYPICAL WASHER REQUIREMENTS

AB0230

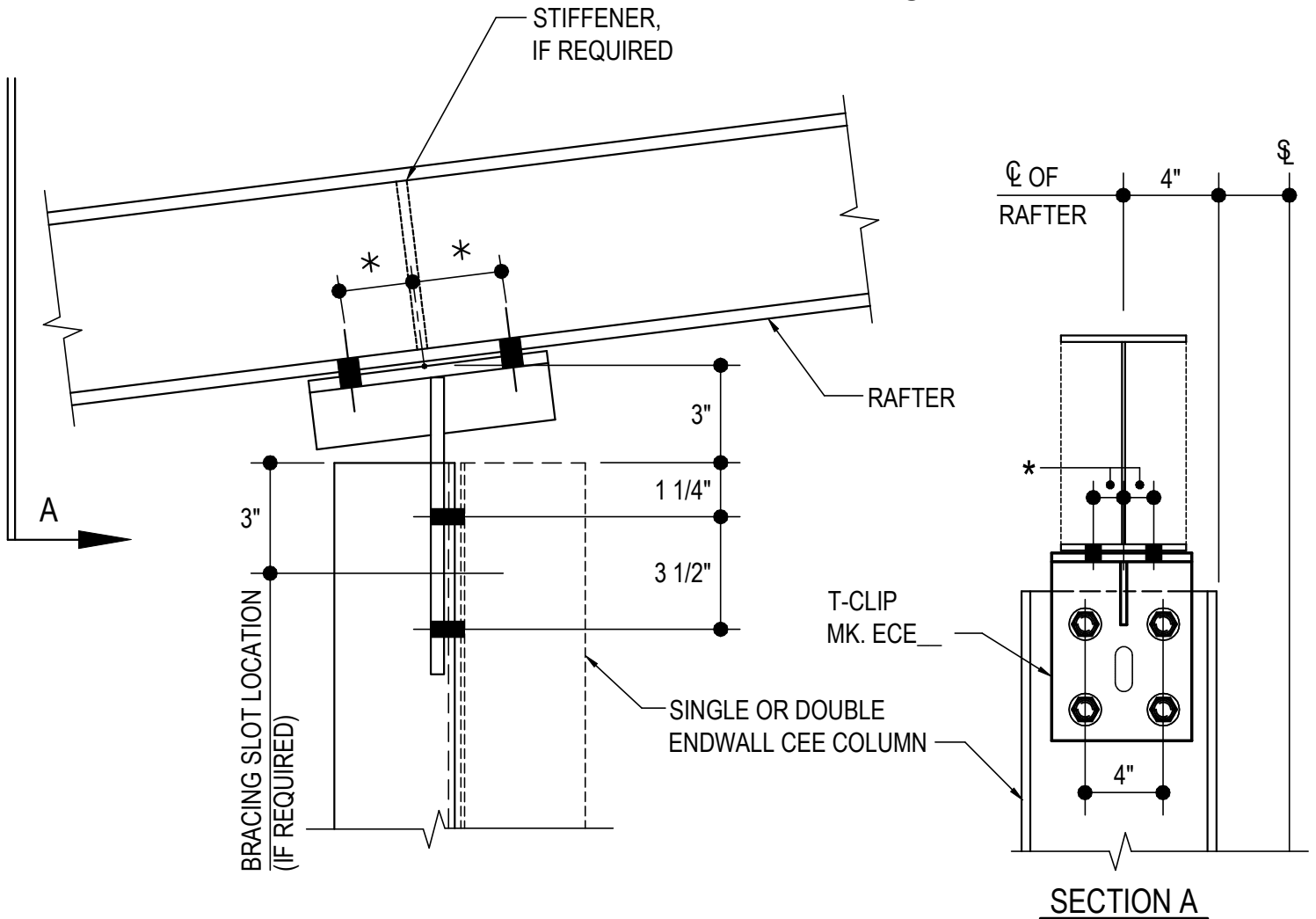
Detailer Notes:

- 1) N/A

AB0240 - ENDWALL PIGGY-BACK CEE COLUMN TO RAFTER CONN

[Download the DWG file by clicking here.](#)

- * - 1 1/8" GAGE @ 4" RAFTER FLANGE
- * - 1 1/2" GAGE @ GREATER THAN 4" RAFTER FLANGE



**ENDWALL PIGGY-BACK CEE
COLUMN TO RAFTER CONN**

CONTINUOUS BUILT-UP / HOT-ROLLED RAFTER
USE (8) 1/2" Ø X 2" A325 BOLTS H0603 / NUTS H0300
REFERENCE ERECTOR NOTE FOR TYPICAL WASHER REQUIREMENTS

AB0240

Detailer Notes:

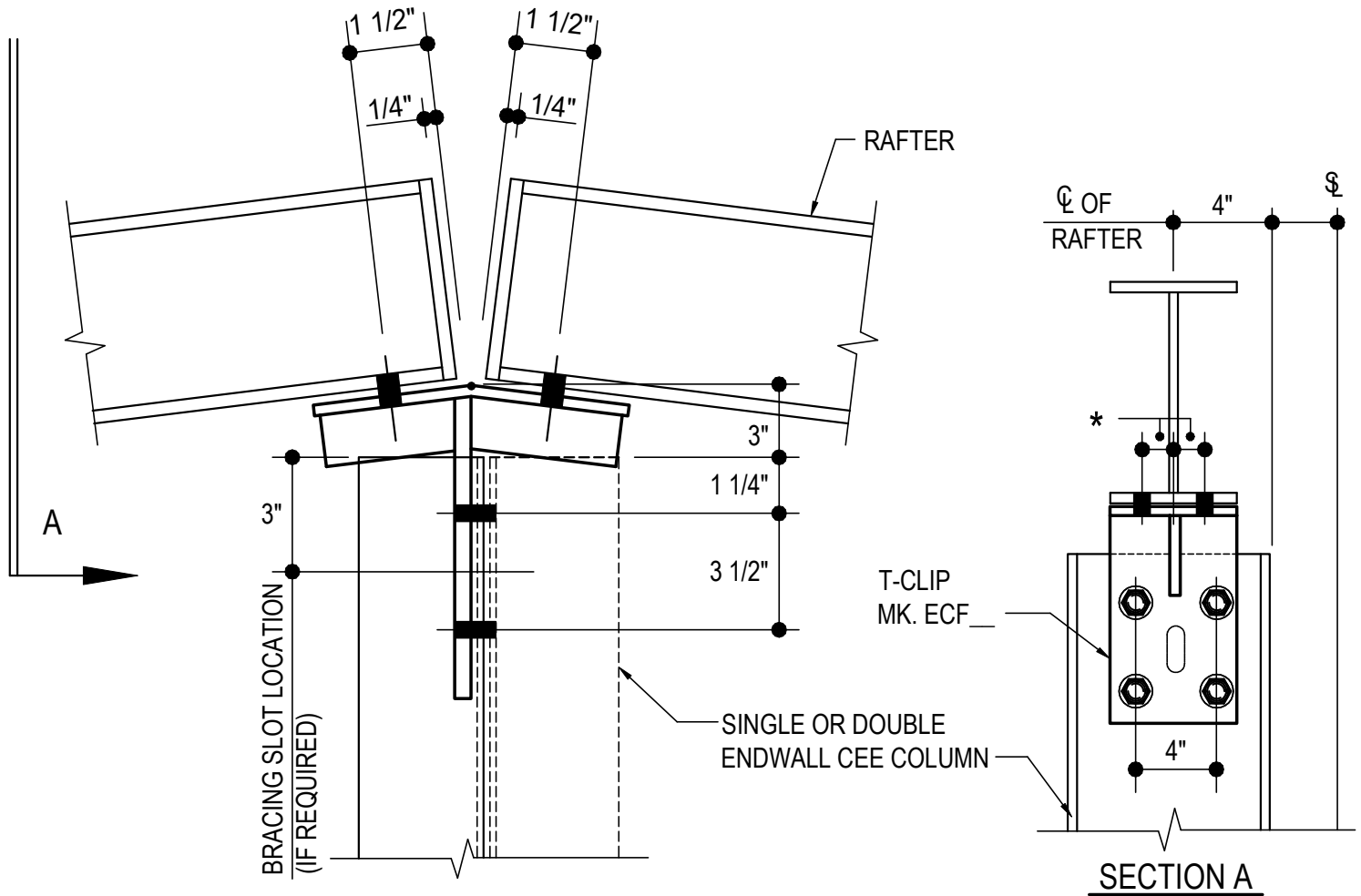
- 1) N/A

AB0250 - ENDWALL PIGGY-BACK CEE COLUMN TO RIDGE RAFTER CONN

[Download the DWG file by clicking here.](#)

* - 1 1/8" GAGE @ 4" RAFTER FLANGE

* - 1 1/2" GAGE @ GREATER THAN 4" RAFTER FLANGE



**ENDWALL PIGGY-BACK CEE
COLUMN TO RIDGE RAFTER CONN**

BUILT-UP / HOT-ROLLED RIDGE RAFTER CONNECTION

USE (8) 1/2" Ø X 2" A325 BOLTS H0603 / NUTS H0300

REFERENCE ERECTOR NOTE FOR TYPICAL WASHER REQUIREMENTS

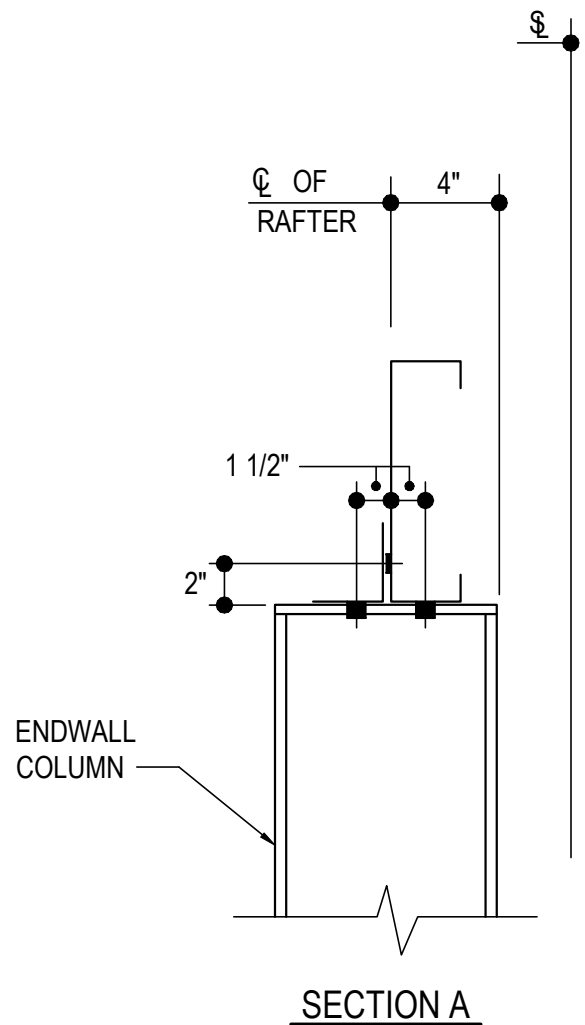
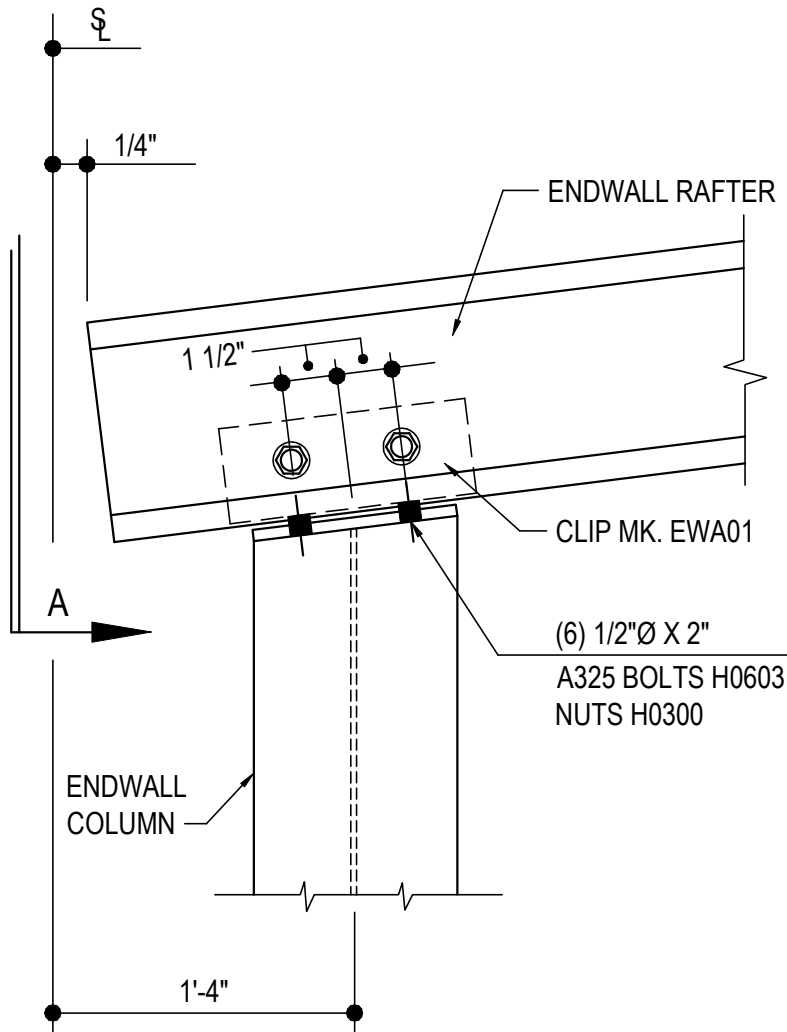
AB0250

Detailer Notes:

- 1) N/A

AB0510 - EW COL TO RAFTER CONN

[Download the DWG file by clicking here.](#)



EW COL TO RAFTER CONN

REFERENCE ERECTOR NOTE FOR TYPICAL WASHER REQUIREMENTS

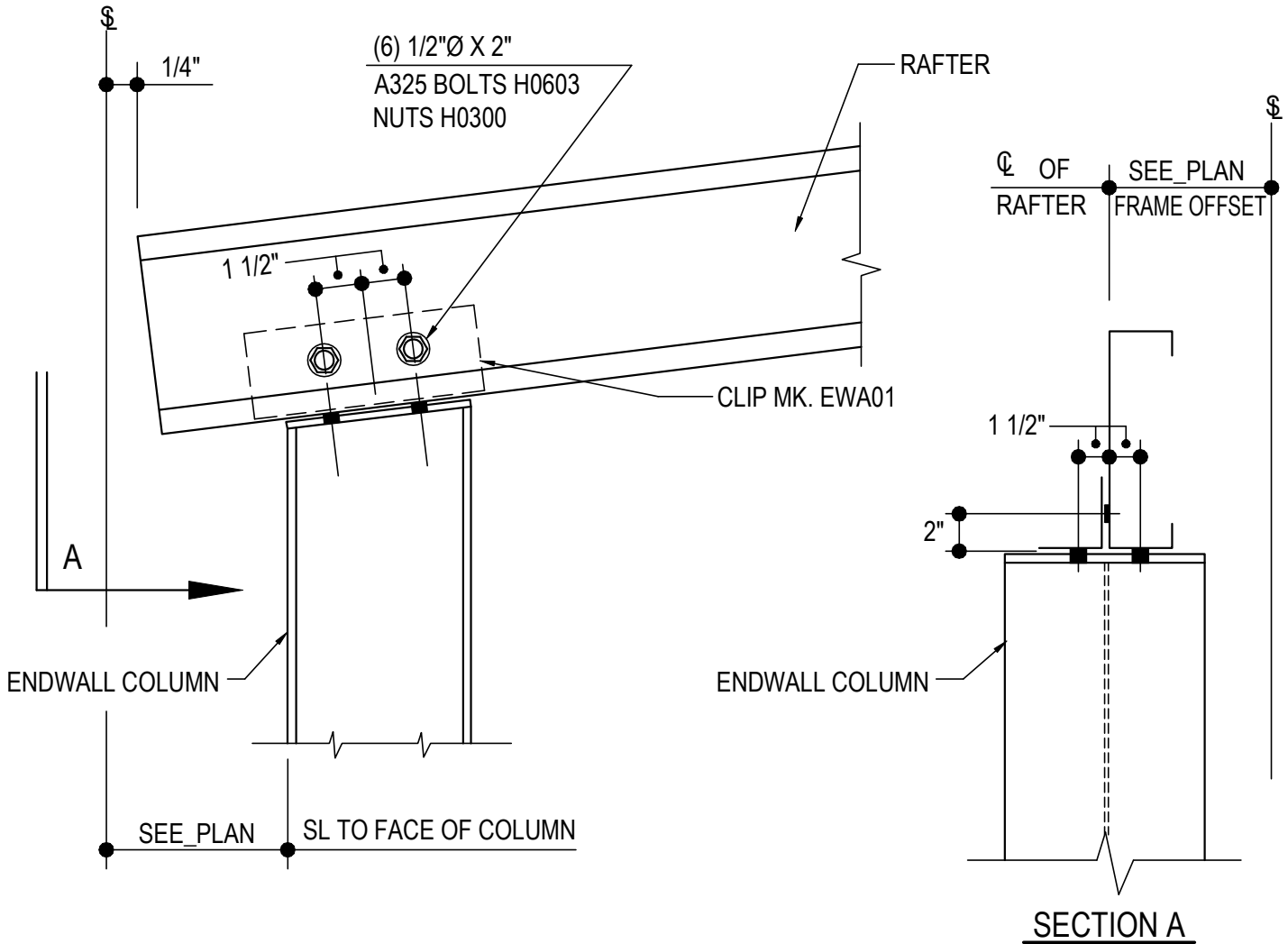
AB0510

Detailer Notes:

- 1) N/A

AB0515 - EW COL TO RAFTER CONN

[Download the DWG file by clicking here.](#)



EW COL TO RAFTER CONN

REFERENCE ERECTOR NOTE FOR TYPICAL WASHER REQUIREMENTS

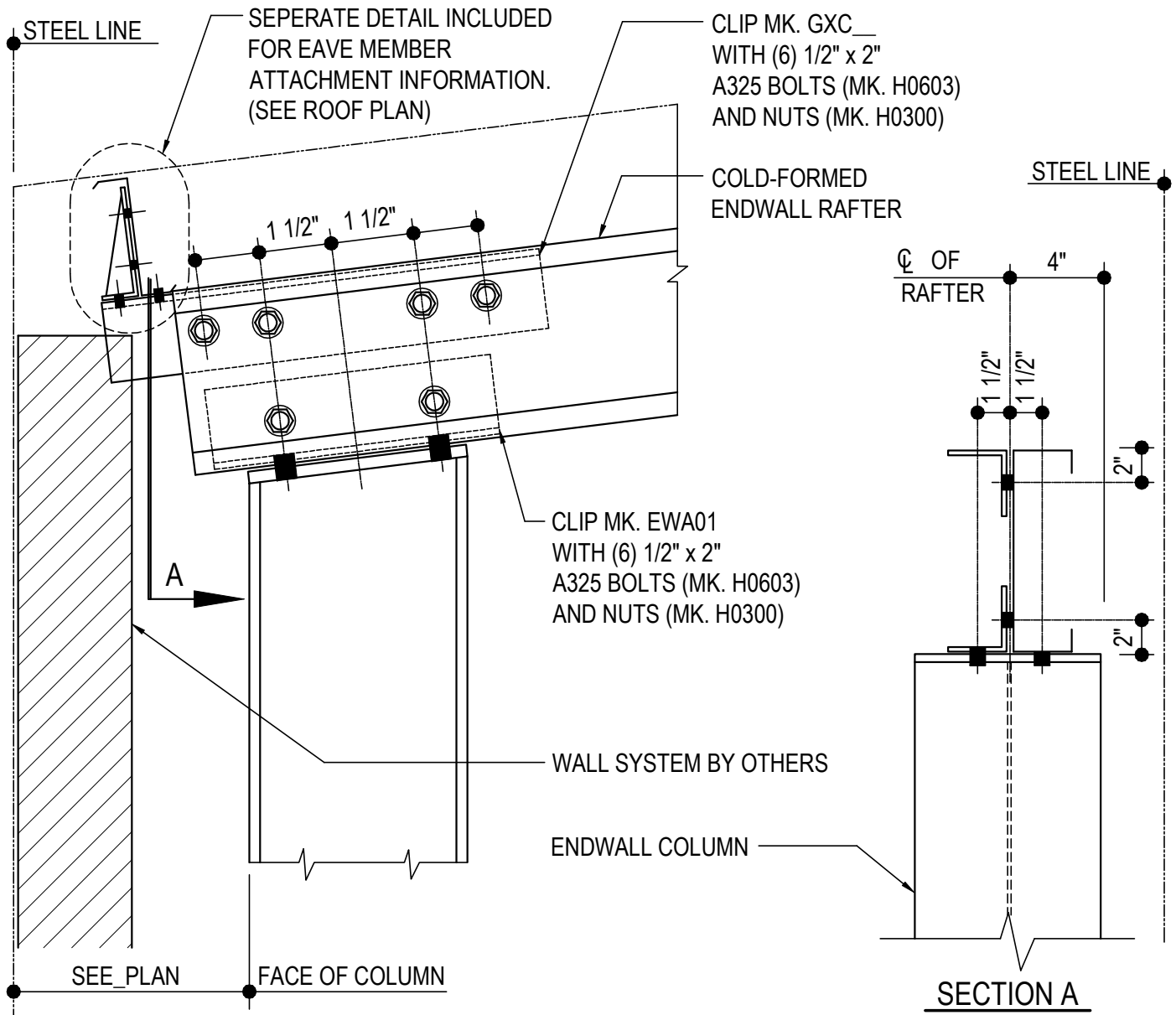
AB0515

Detailer Notes:

- 1) N/A

AB0516 -LOW EAVE COL. CF RAFTER @ MASONRY WALL (COL. ROT. 90 DEG)

[Download the DWG file by clicking here.](#)



EW COLUMN TO RAFTER AT MASONRY

COLUMN TOP CLIP FACTORY WELDED TO COLUMN
 REFERENCE ERECTOR NOTE FOR TYPICAL WASHER REQUIREMENTS
 REFERENCE ROOF FRAMING PLAN FOR EAVE PURLIN BOLT REQUIREMENTS

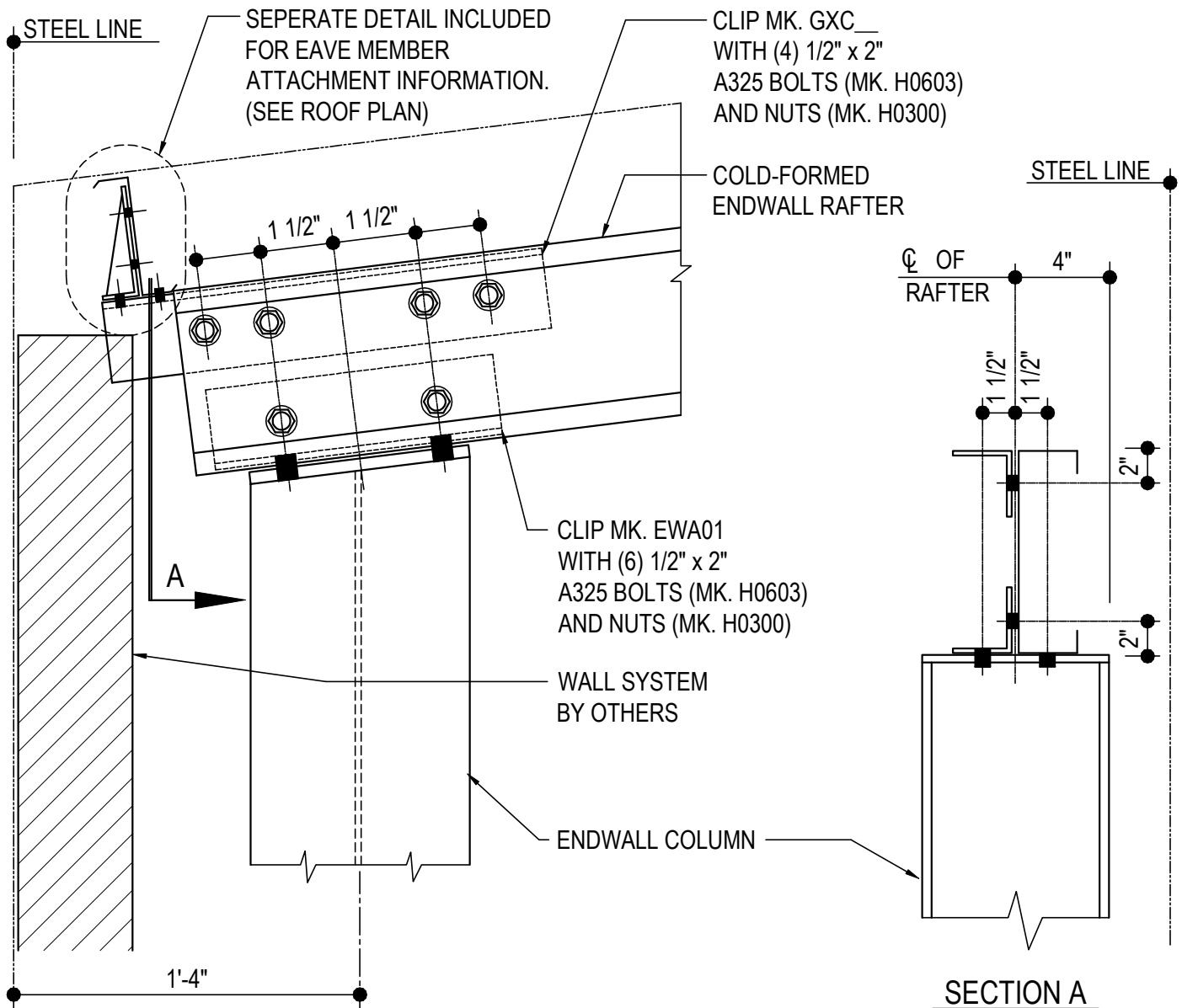
AB0516

Detailer Notes:

- 1) DETAILER MUST CREATE SPECIAL DETAIL FOR EAVE STRUT CONN. AND PLACE CALL OUT ON ROOF PLAN. DETAIL TO INCLUDE: **GXC- PART MARK & ATTACHING HARDWARE MARKS & QUANTITY.**

AB0517 - LOW EAVE COL. CF RAFTER @ MASONRY WALL (COL. ROT. 90 DEG)

[Download the DWG file by clicking here.](#)



EW COLUMN TO RAFTER AT MASONRY

COLUMN TOP CLIP FACTORY WELDED TO COLUMN
 REFERENCE ERECTOR NOTE FOR TYPICAL WASHER REQUIREMENTS
 REFERENCE ROOF FRAMING PLAN FOR EAVE PURLIN BOLT REQUIREMENTS

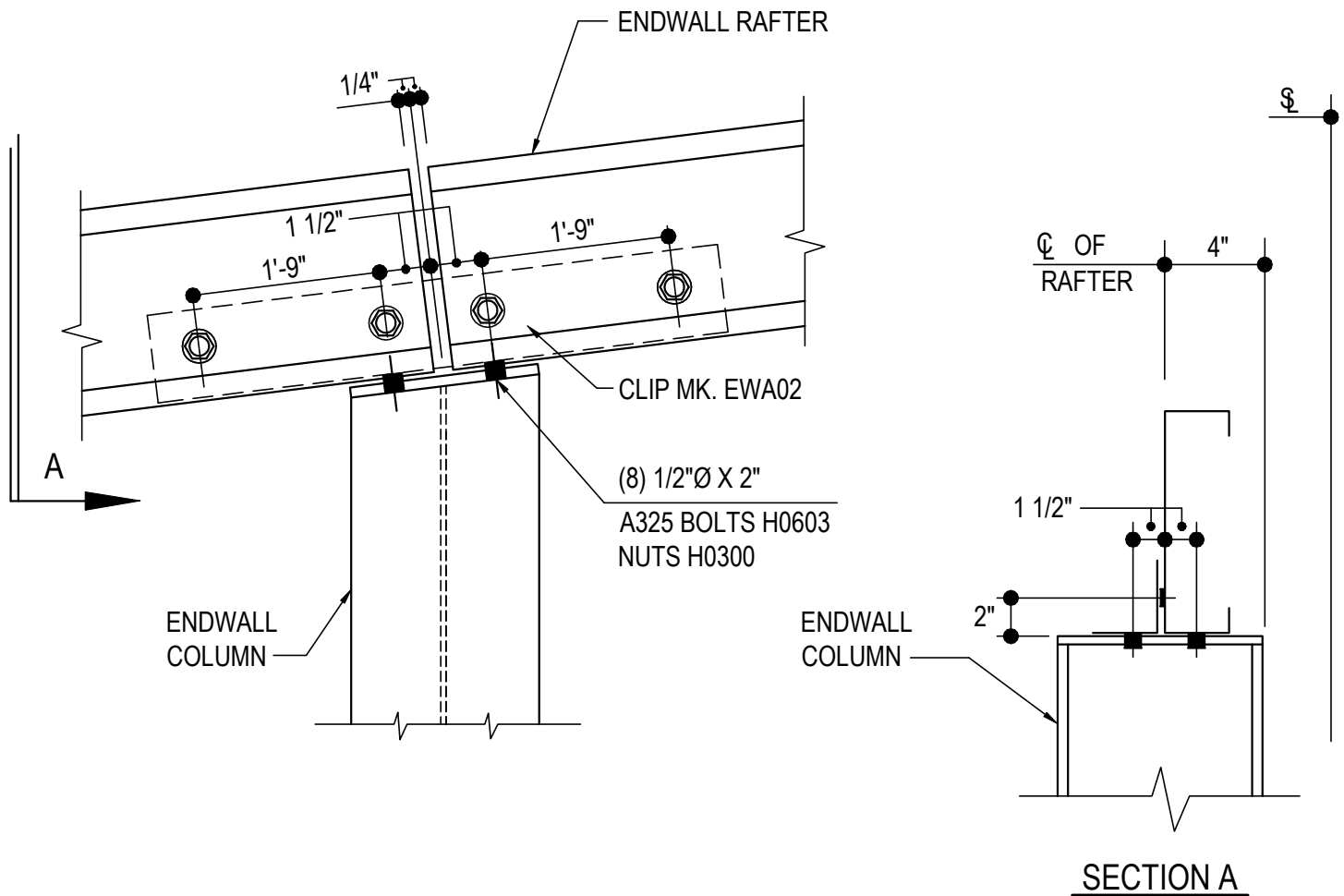
AB0517

Detailer Notes:

- 1) DETAILER MUST CREATE SPECIAL DETAIL FOR EAVE STRUT CONN. AND PLACE CALL OUT ON ROOF PLAN. DETAIL TO INCLUDE: **GXC- PART MARK & ATTACHING HARDWARE MARKS & QUANTITY.**

AB0530 - CF RAFTERS (SIMPLE SPAN)

[Download the DWG file by clicking here.](#)



EW COL TO RAFTER CONN

(SIMPLE SPAN RAFTER)

REFERENCE ERECTOR NOTE FOR TYPICAL WASHER REQUIREMENTS

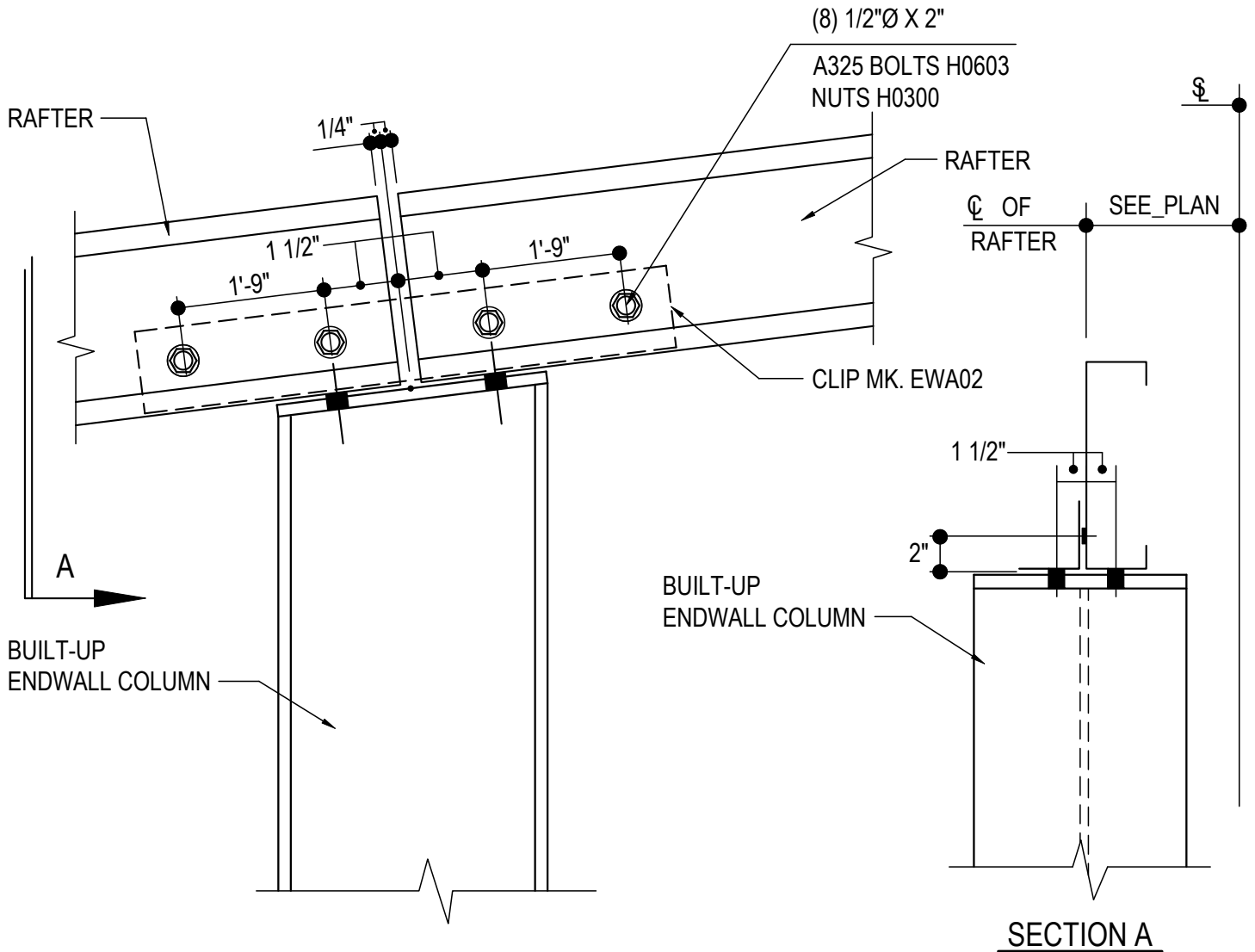
AB0530

Detailer Notes:

- 1) N/A

AB0535 - CF RAFTER (SIMPLE SPAN-COLUMN ROTATED 90 DEG)

[Download the DWG file by clicking here.](#)



EW COLUMN TO RAFTER CONN

(SIMPLE SPAN)

COLUMN TOP CLIP FACTORY WELDED TO COLUMN

REFERENCE ERECTOR NOTE FOR TYPICAL WASHER REQUIREMENTS

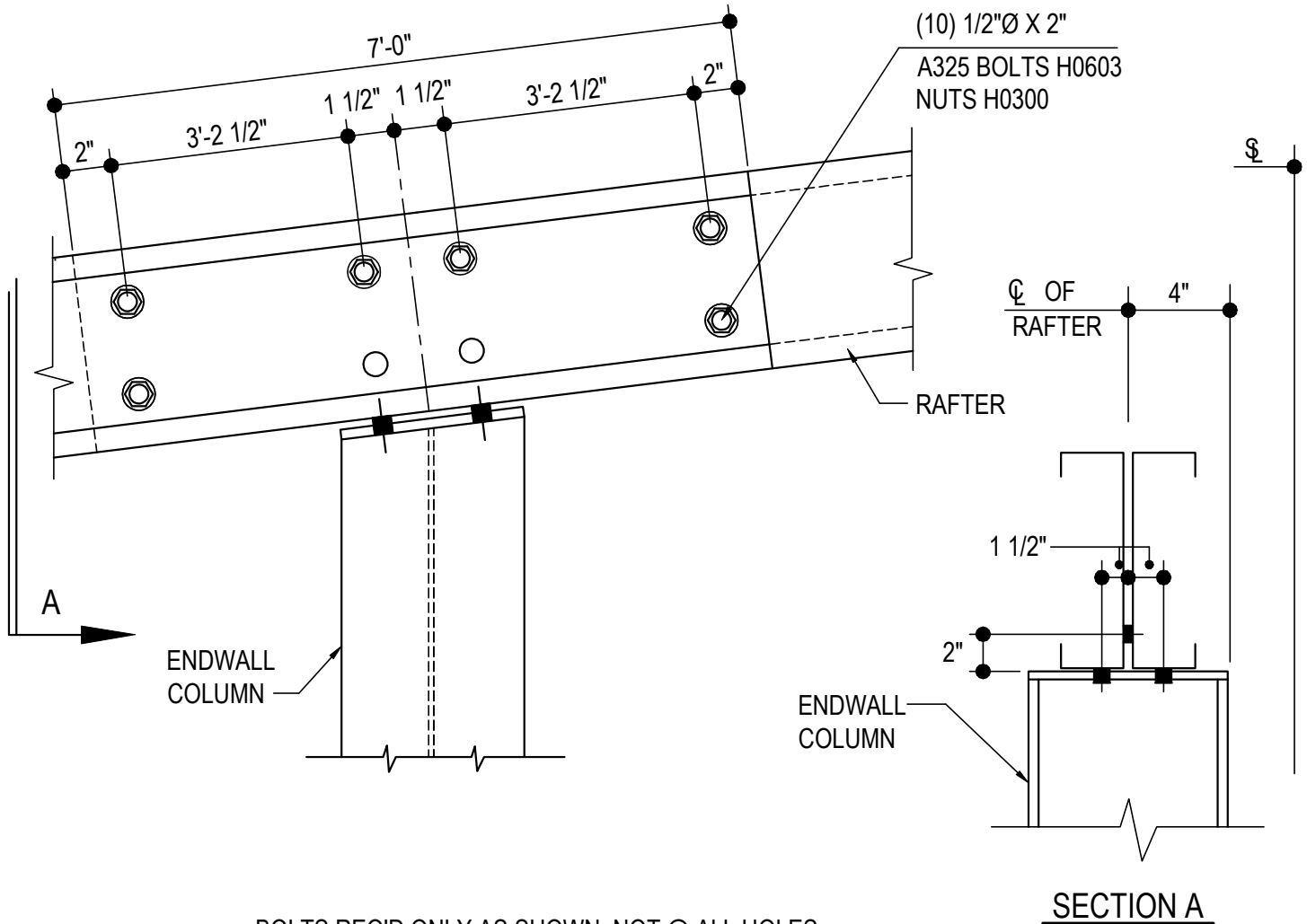
AB0535

Detailer Notes:

- 1) N/A

AB0540 - CF RAFTER (LAPPED)

[Download the DWG file by clicking here.](#)



BOLTS REQ'D ONLY AS SHOWN, NOT @ ALL HOLES

EW COL TO RAFTER CONN

(LAPPED RAFTER)

REFERENCE ERECTOR NOTE FOR TYPICAL WASHER REQUIREMENTS

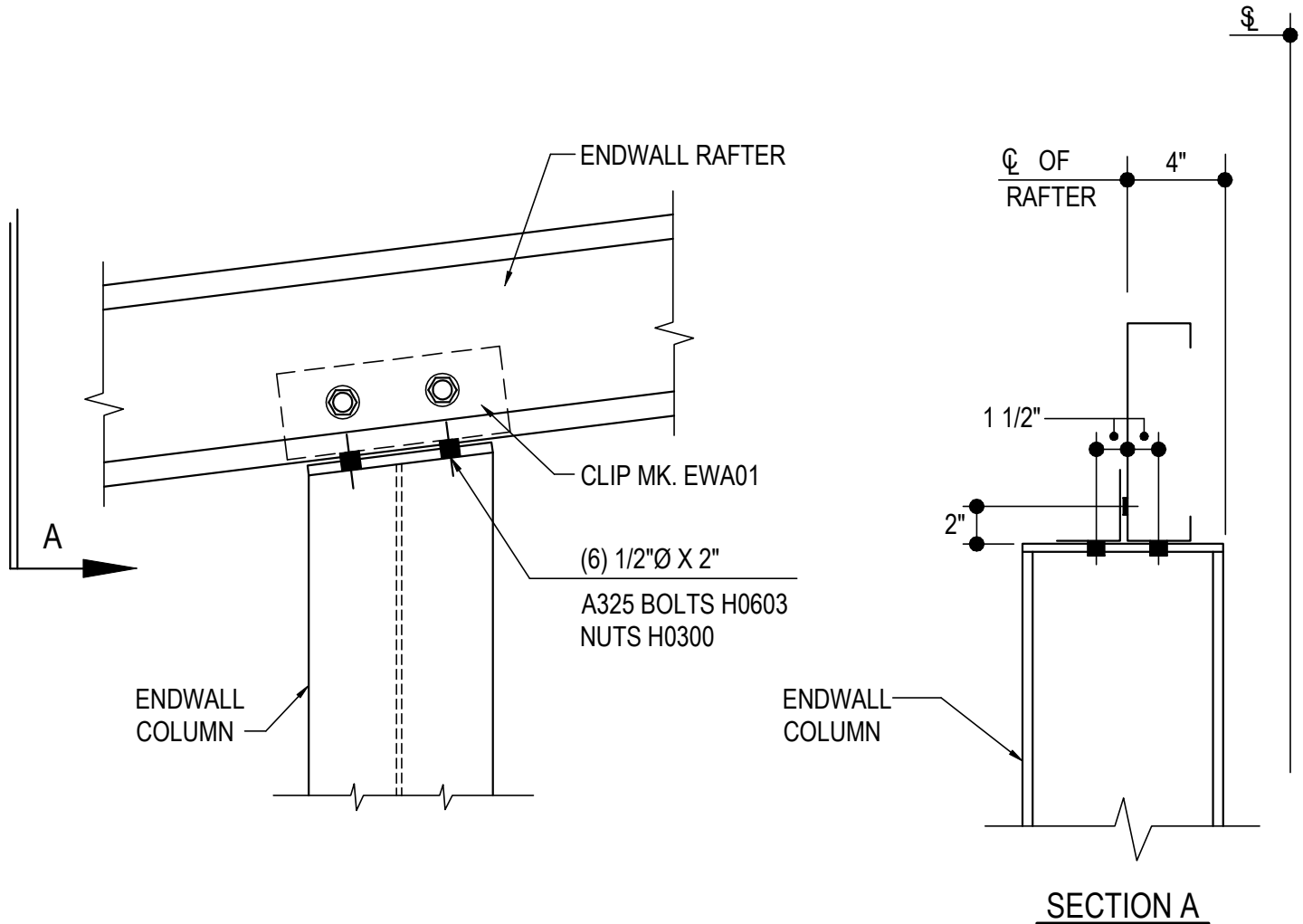
AB0540

Detailer Notes:

- 1) N/A

AB0545 - COLUMN TO CF RAFTER (CONTINUOUS)

[Download the DWG file by clicking here.](#)



EW COL TO RAFTER CONN

(CONTINUOUS RAFTER)

REFERENCE ERECTOR NOTE FOR TYPICAL WASHER REQUIREMENTS

AB0545

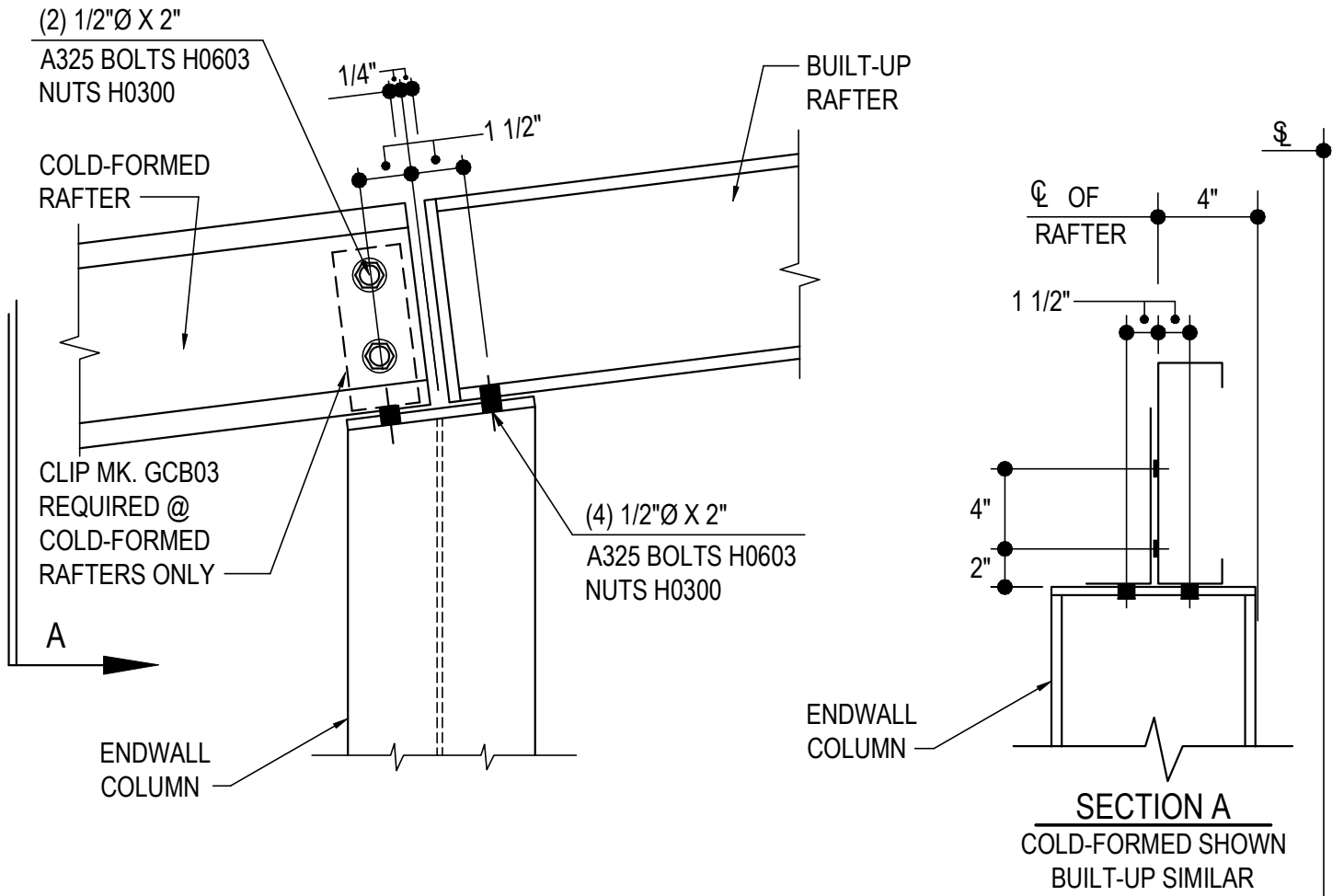
Detailer Notes:

- 1) N/A

AB0550 - INTERMEDIATE COL. CONN. (SIMPLE SPAN W/ BU & CF RAFTERS @ OPP. SIDES)

[Download the DWG file by clicking here.](#)

COLD FORMED RAFTER SHOWN ON LEFT SIDE,
BU/HR ON RIGHT. OPPOSITE POSITION SIMILAR.



EW COL TO RAFTER CONN

REFERENCE ERECTOR NOTE FOR TYPICAL WASHER REQUIREMENTS

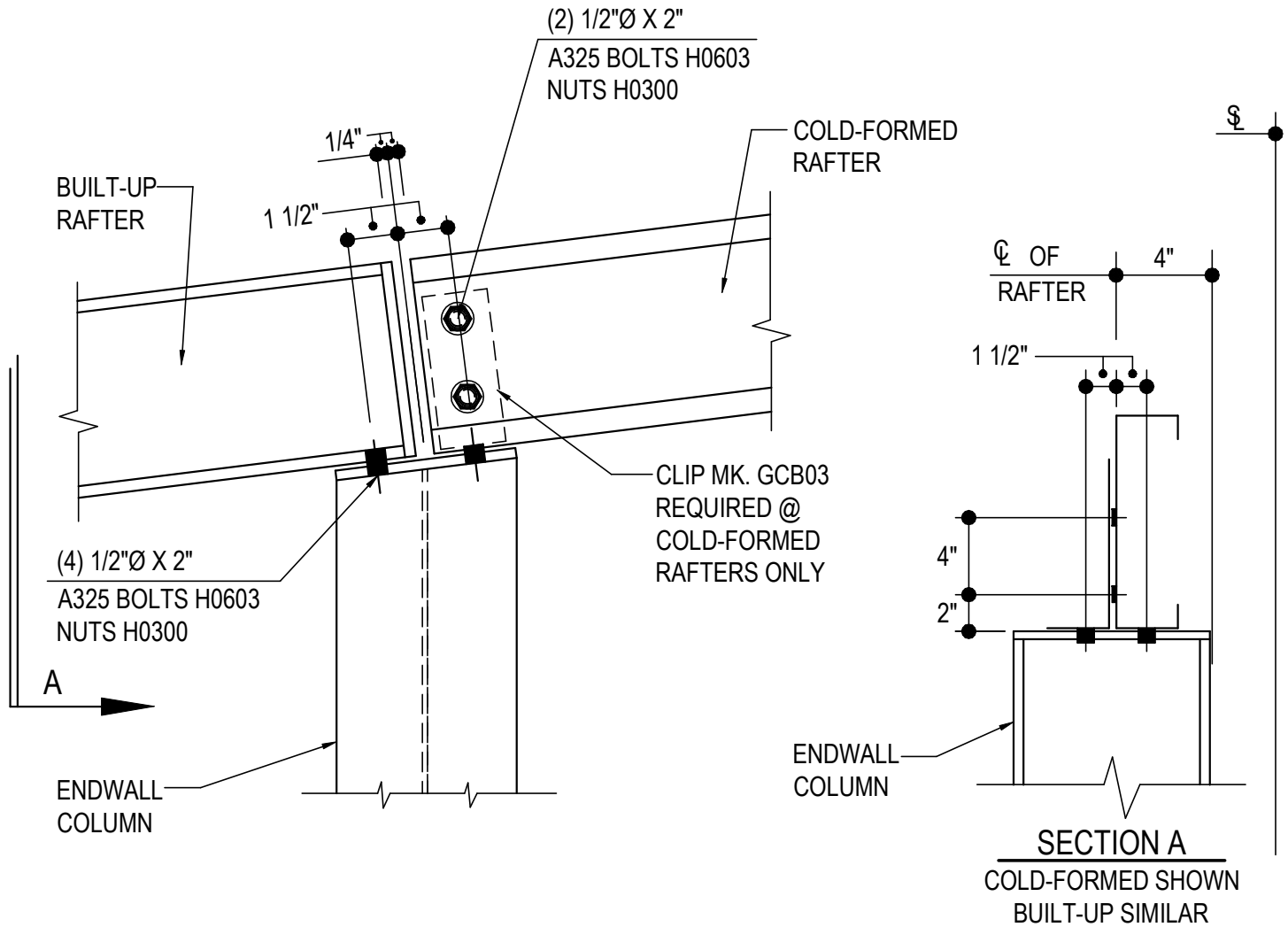
AB0550

Detailer Notes:

- 1) N/A

AB0560 - BU RAFTER LEFT CF RAFTER RIGHT

[Download the DWG file by clicking here.](#)



EW COL TO RAFTER CONN

REFERENCE ERECTOR NOTE FOR TYPICAL WASHER REQUIREMENTS

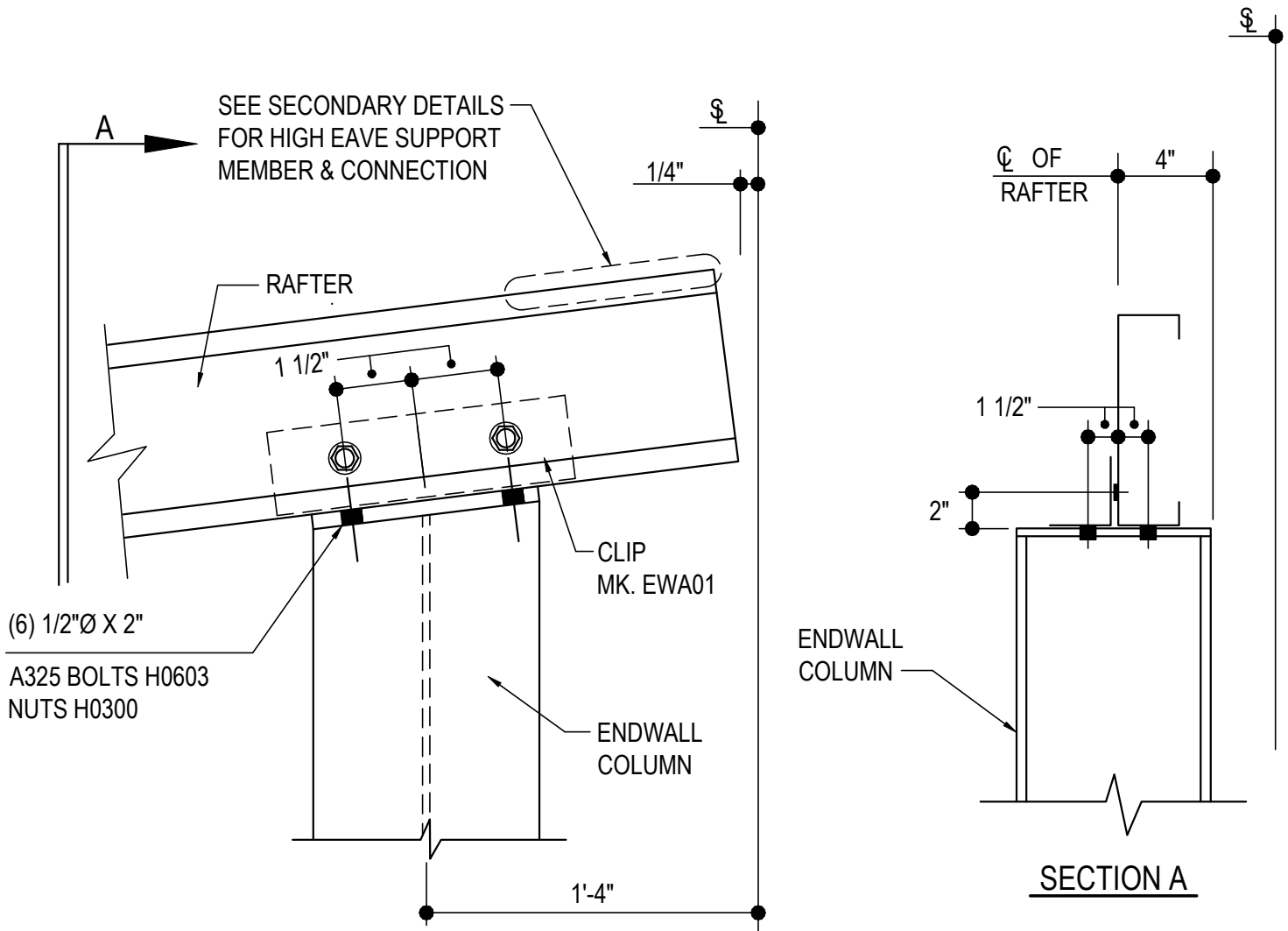
AB0560

Detailer Notes:

- 1) N/A

AB0590 - HIGH EAVE (CF RAFTER)

[Download the DWG file by clicking here.](#)



EW COL TO RAFTER CONN

REFERENCE ERECTOR NOTE FOR TYPICAL WASHER REQUIREMENTS

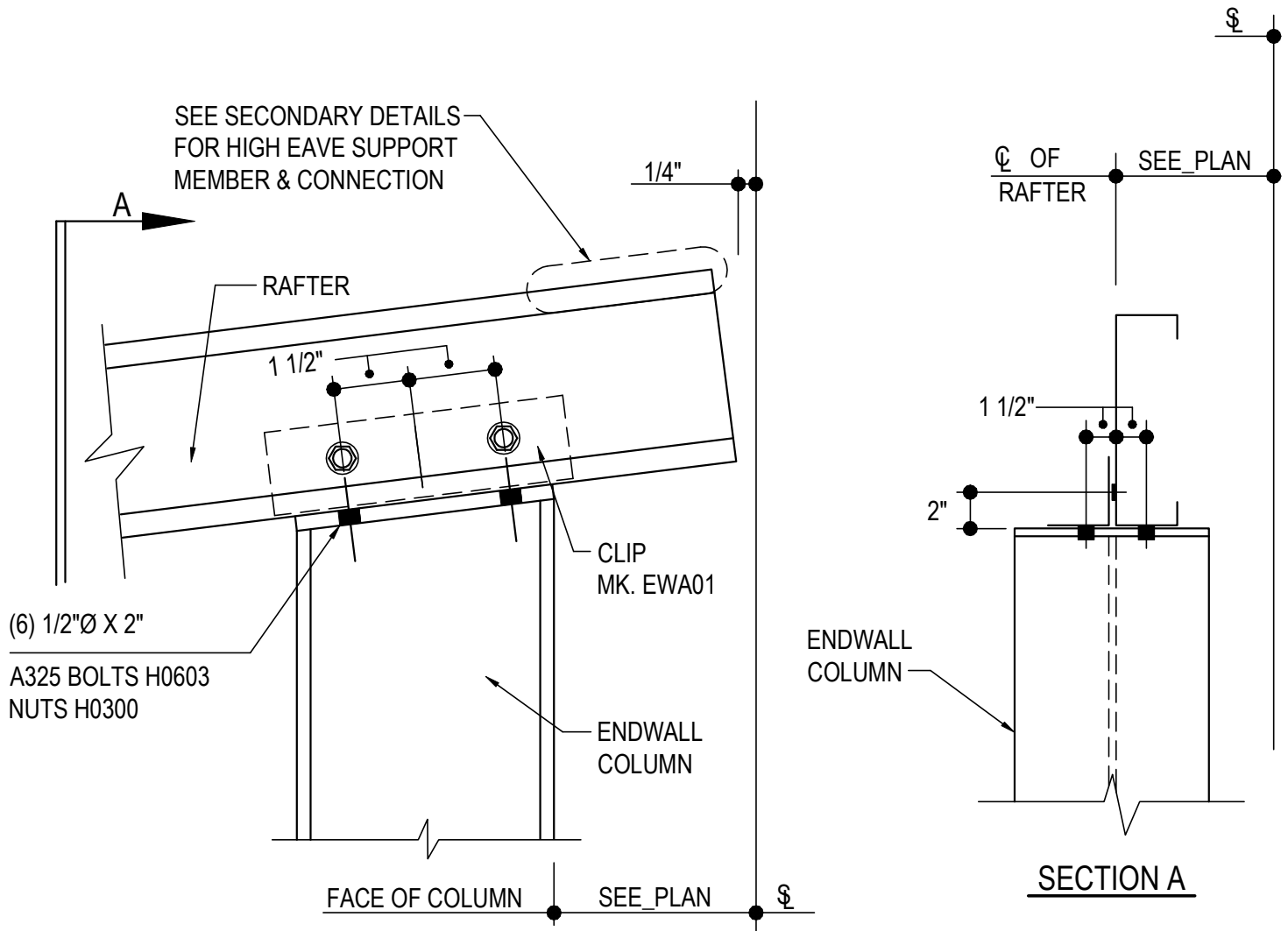
AB0590

Detailer Notes:

- 1) N/A

AB0595 - EW COL TO RAFTER (COL ROTATED 90° @ HIGH EAVE)

[Download the DWG file by clicking here.](#)



EW COL TO RAFTER (COL ROTATED 90° @ HIGH EAVE)

REFERENCE ERECTOR NOTE FOR TYPICAL WASHER REQUIREMENTS

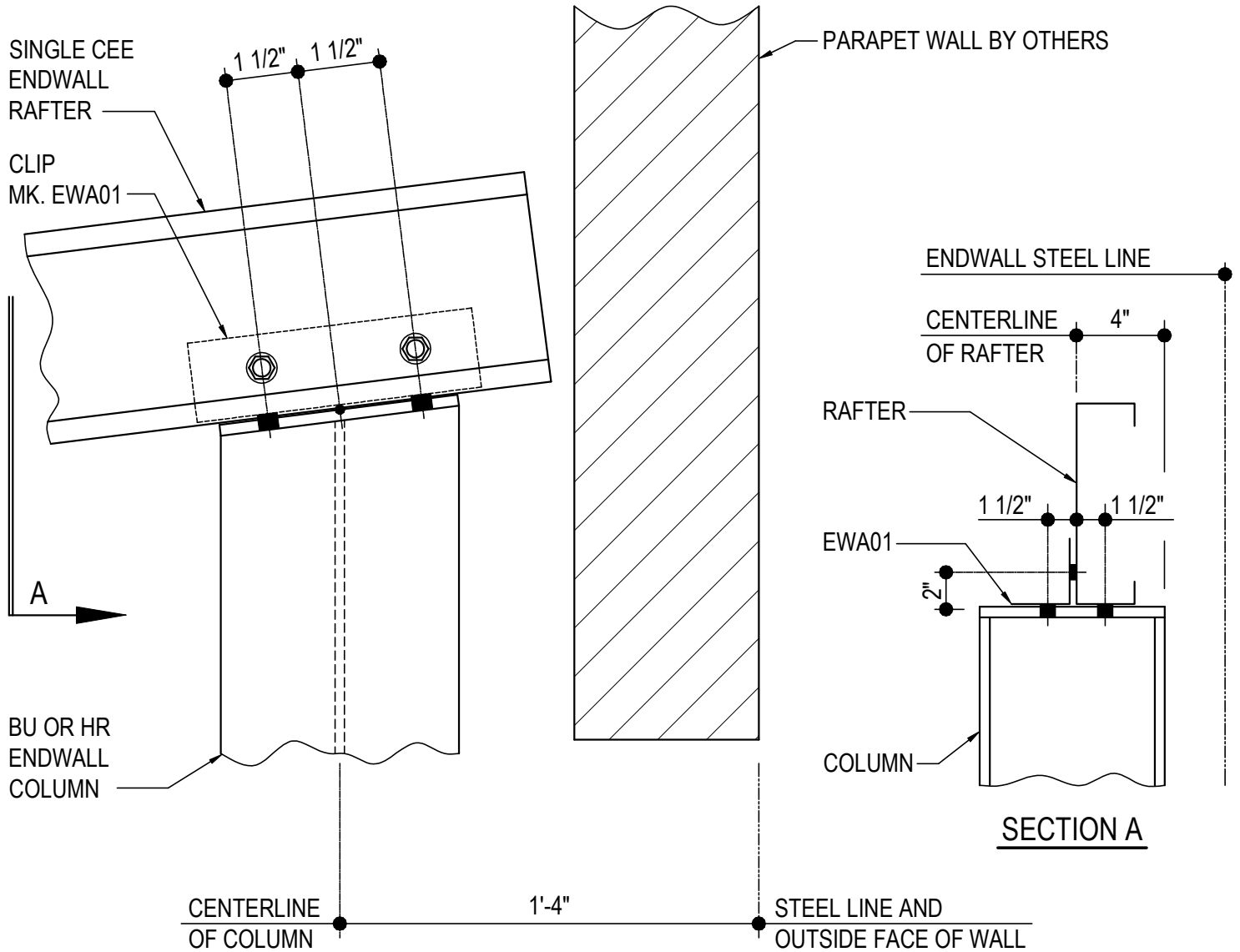
AB0595

Detailer Notes:

- 1) N/A

AB0598 -EW COLUMN TO RAFTER CONNECTION (HIGH EAVE @ PARAPET BY OTHERS)

[Download the DWG file by clicking here.](#)



EW COL. TO RAFTER CONN. (HIGH EAVE @ PARAPET BY OTHERS)

BU OR HR COLUMN TO CEE RAFTER CONNECTION

USE (6) 1/2"Ø x 2" A325 BOLTS (MK. H0603) & NUTS (MK. H0300)

REFERENCE ERECTOR NOTE FOR TYPICAL WASHER REQUIREMENTS

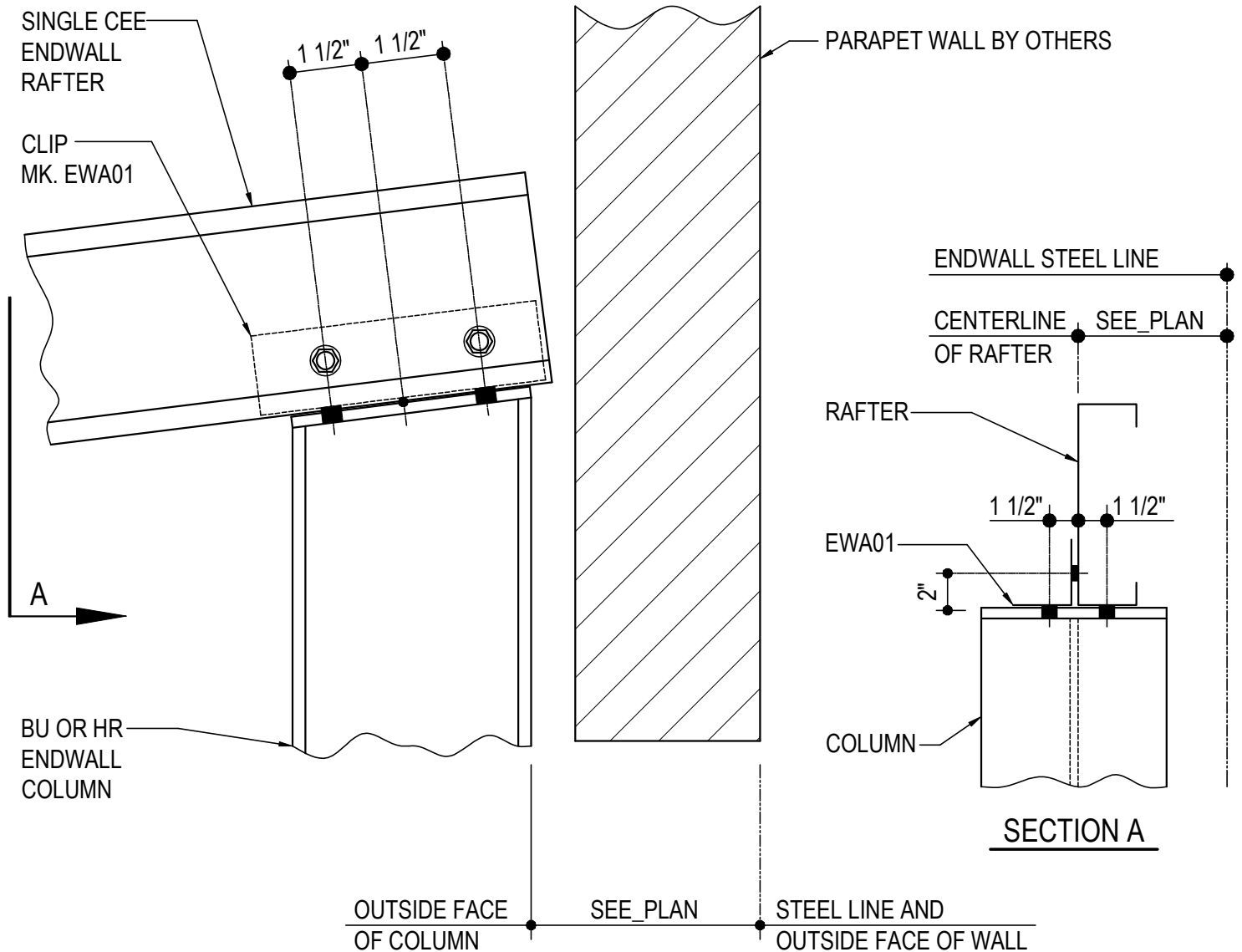
AB0598

Detailer Notes:

- 1) N/A

(AB0599 - 90° ROTATED EW COL TO RAFTER CONN @ H EAVE (WITH PARAPET))

[Download the DWG file by clicking here.](#)



90° ROTATED EW COL TO RAFTER CONN @ H EAVE (WITH PARAPET)

BU OR HR COLUMN TO CEE RAFTER CONNECTION
 USE (6) 1/2"Ø x 2" A325 BOLTS (MK. H0603) & NUTS (MK. H0300)
 REFERENCE ERECTOR NOTE FOR TYPICAL WASHER REQUIREMENTS

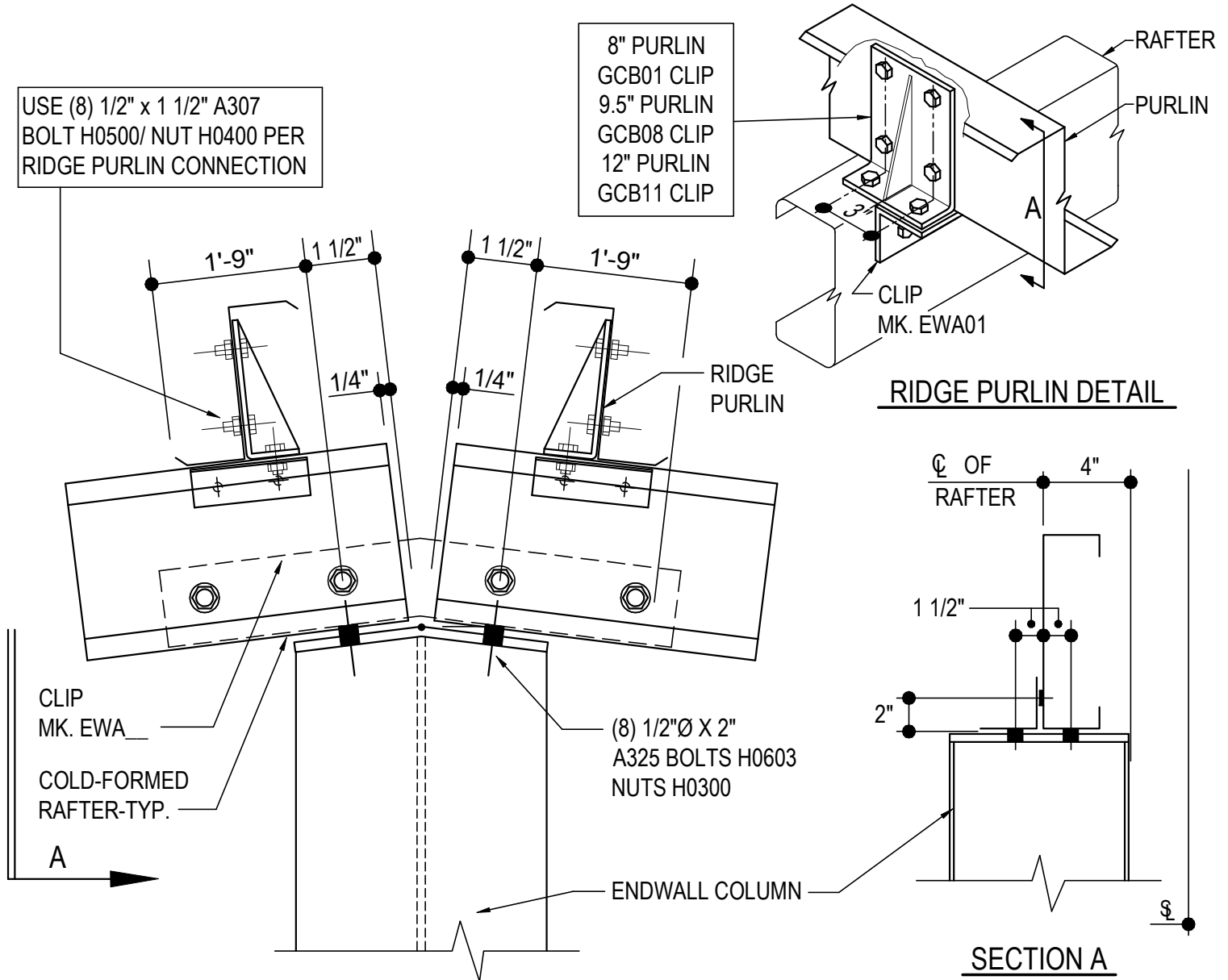
AB0599

Detailer Notes:

- 1) N/A

AB0610 - EW COL TO CF RAFTER CONN (@ RIDGE)

[Download the DWG file by clicking here.](#)



EW COL TO CF RAFTER CONN (@ RIDGE)

REFERENCE ERECTOR NOTE FOR TYPICAL WASHER REQUIREMENTS

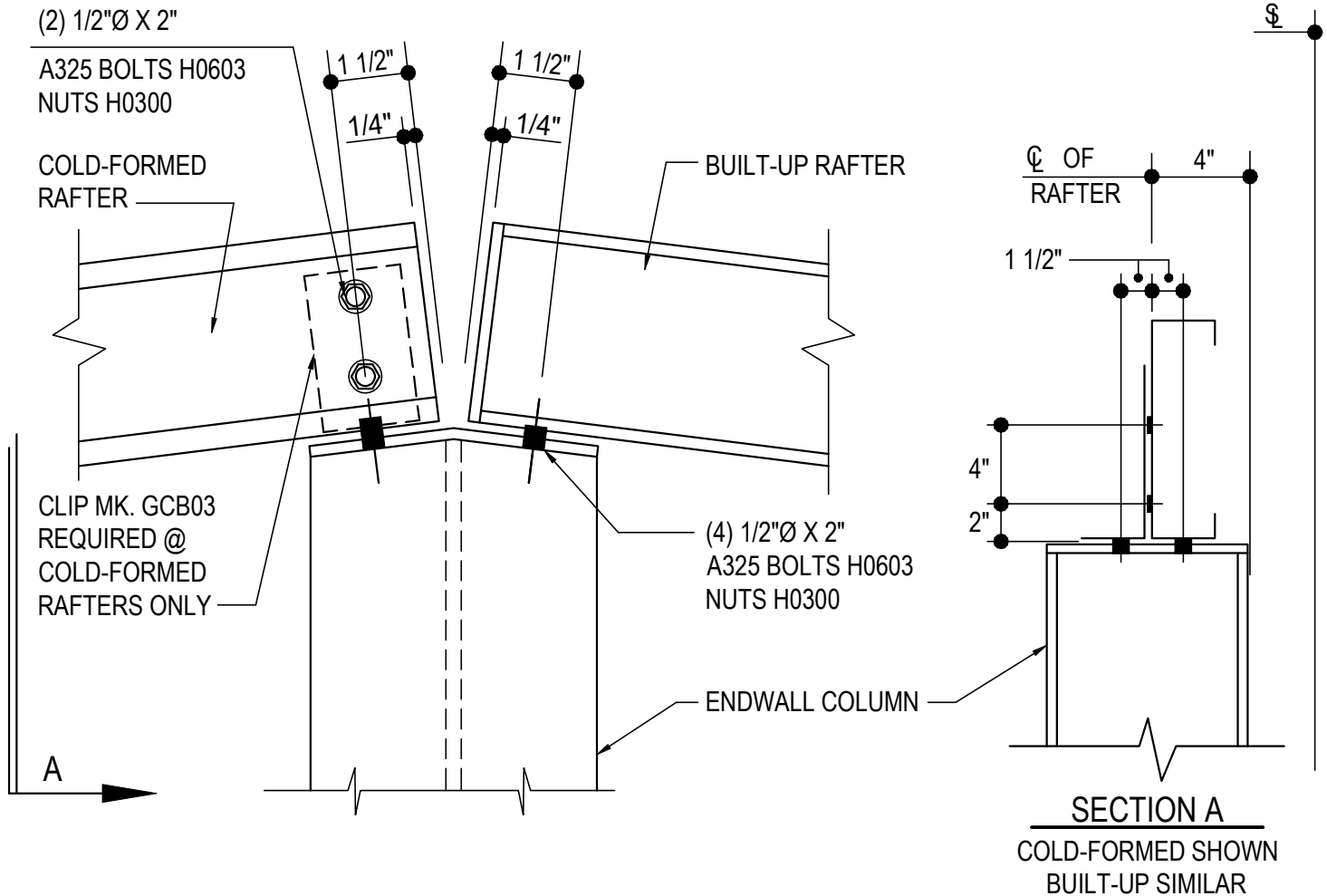
AB0610

Detailer Notes:

- 1) N/A

AB0620 - RIDGE (BU RAFTER RIGHT, CF RAFTER LEFT)

[Download the DWG file by clicking here.](#)



RIDGE (BU RAFTER RIGHT, CF RAFTER LEFT)

REFERENCE ERECTOR NOTE FOR TYPICAL WASHER REQUIREMENTS

AB0620

Detailer Notes:

- 1) N/A