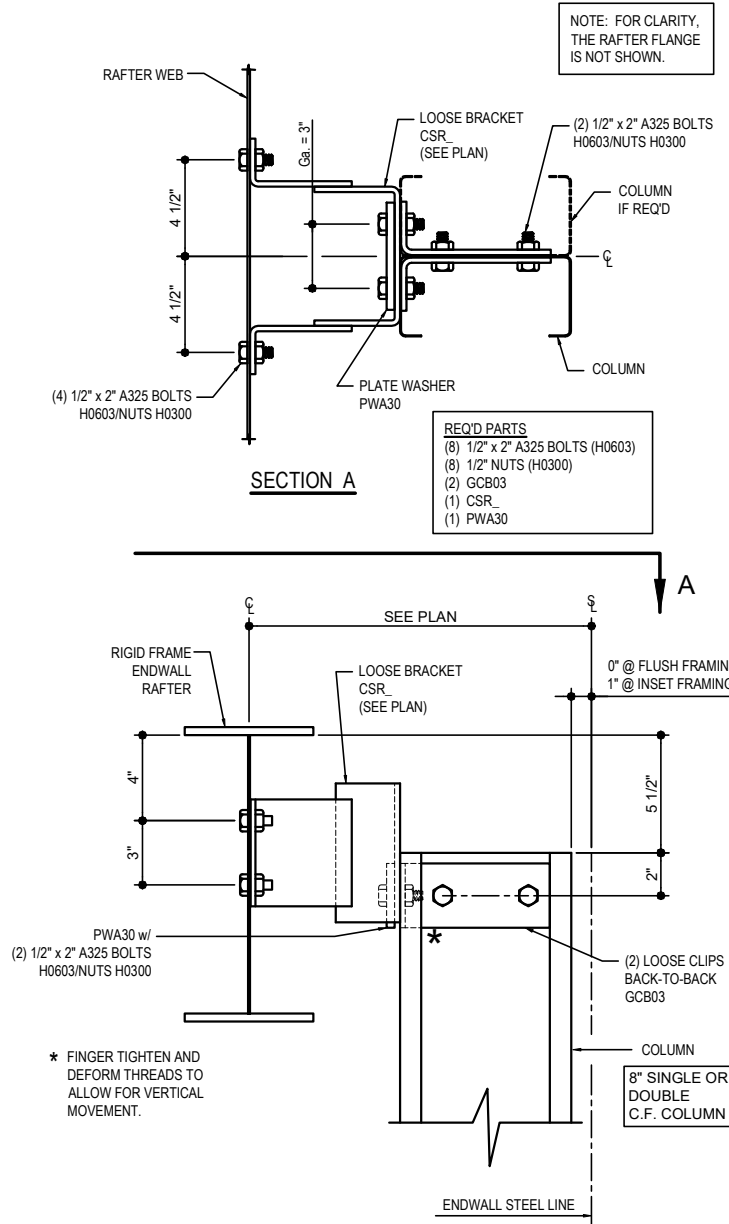


**EXPANDABLE ENDWALL**

- AD0010 - EW COLUMN TO EXP. EW RAFTER CONNECTION (8" C.F. COLUMN AT FLUSH/INSET GIRTS)
  - AD0070 - EW COLUMN TO EXP. EW RAFTER CONNECTION (BU/HR COLUMN AT FLUSH/INSET GIRTS)
  - AD0090 - EW COLUMN TO EXP. EW RAFTER CONNECTION (BU/HR COLUMN WITH COL EXT AT FLUSH/INSET GIRTS)
  - AD0091 - EW COLUMN TO EXP. EW RAFTER CONNECTION (BU/HR COLUMN WITH COL EXT AT FLUSH/INSET GIRTS)
  - AD0136 - EW COLUMN TO EXP. EW RAFTER CONNECTION (BU/HR COL AND BU/HR STUB INSIDE OF FRAME w/ SPACER)
  - AD0140 - EW COLUMN TO EXP. EW RAFTER CONNECTION (BU/HR COLUMN AND BU/HR STUB AT BYPASS GIRTS)
  - AD0141 - EW COLUMN TO EXP. EW RAFTER CONNECTION (BU/HR COLUMN AND BU/HR STUB AT BYPASS GIRTS)
  - AD0145 - EW COLUMN TO EXP. EW RAFTER CONNECTION (BU/HR COLUMN AND BU/HR STUB INSIDE OF FRAME)
-

AD0010 - EW COLUMN TO EXP. EW RAFTER CONNECTION (8" C.F. COLUMN AT FLUSH/INSET GIRTS)

[Download the DWG file by clicking here.](#)



**ENDWALL COL TO EXP. EW RAFTER CONNECTION**

8" COLD-FORMED COLUMN AT FLUSH/INSET GIRTS  
REFERENCE ERECTOR NOTE FOR TYPICAL WASHER REQUIREMENTS

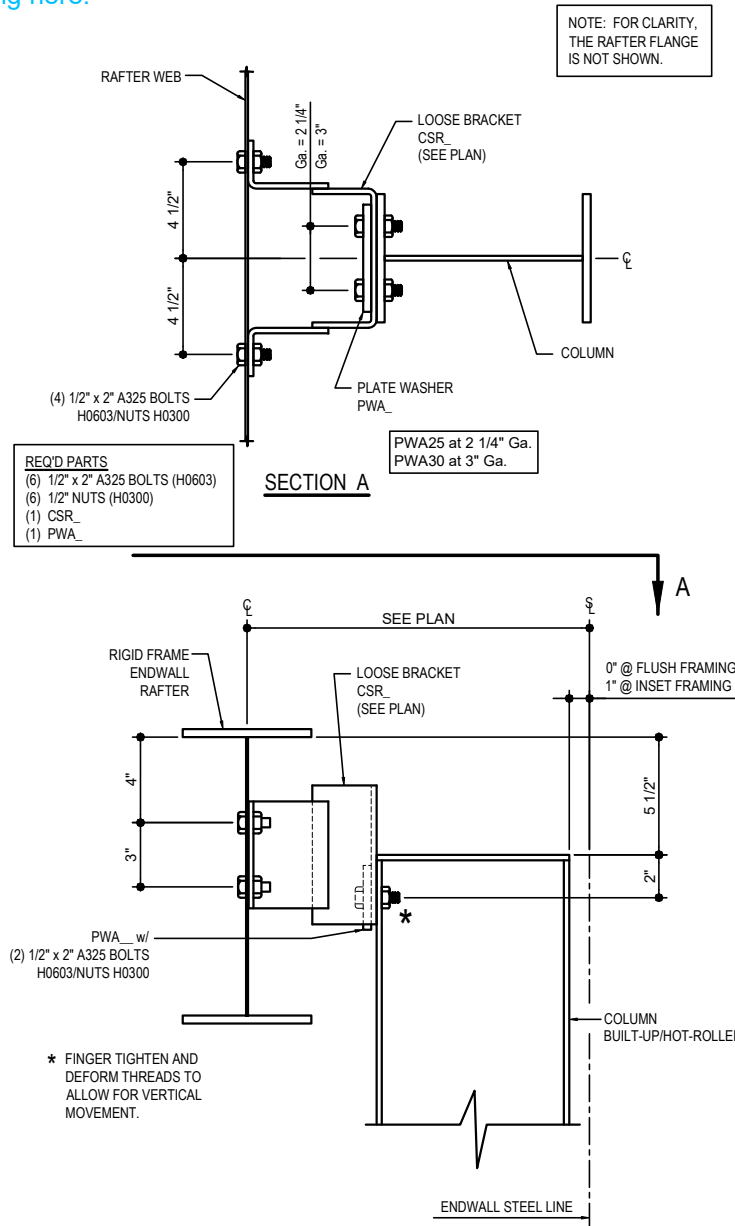
**AD0010**

Detailer Notes:

- 1) N/A

AD0070 - EW COLUMN TO EXP. EW RAFTER CONNECTION (BU/HR COLUMN AT FLUSH/INSET GIRTS)

[Download the DWG file by clicking here.](#)



**ENDWALL COL TO EXP. EW RAFTER CONNECTION**

BUILT-UP/HOT-ROLLED COLUMN AT FLUSH/INSET GIRTS  
REFERENCE ERECTOR NOTE FOR TYPICAL WASHER REQUIREMENTS

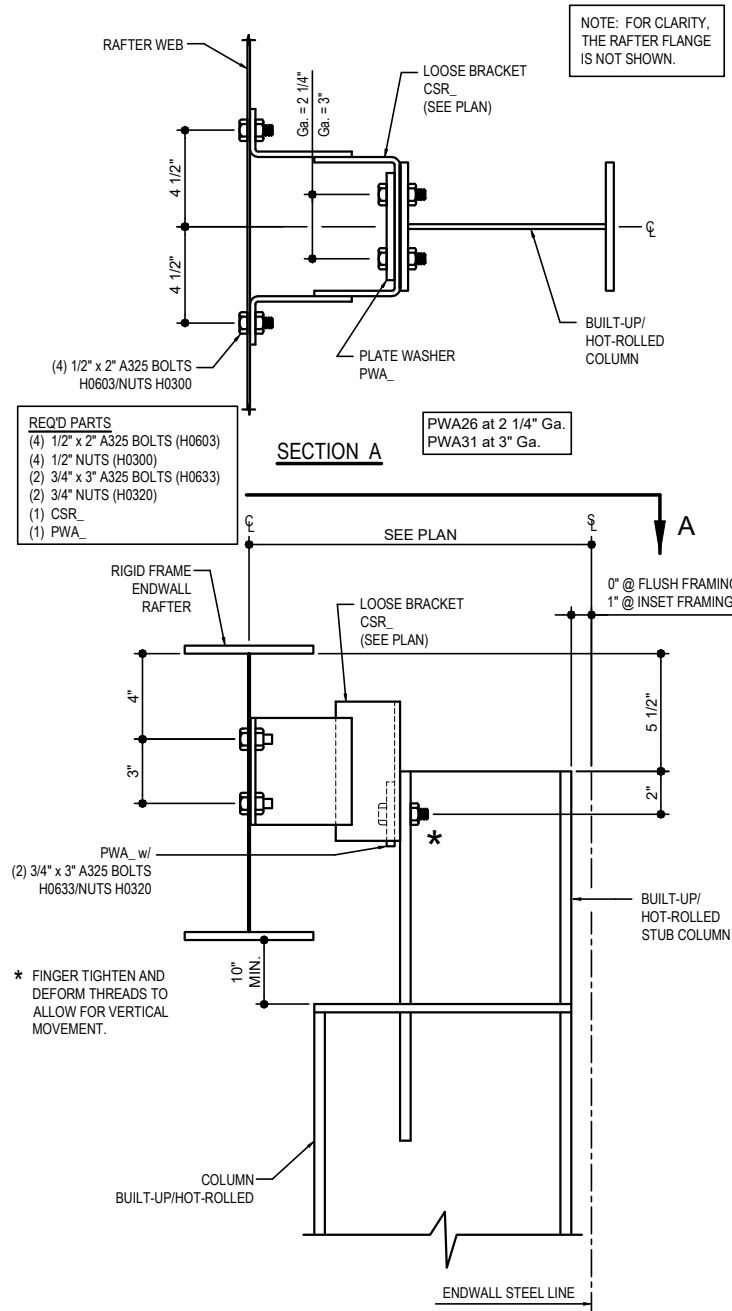
**AD0070**

Detailer Notes:

- 1) N/A

AD0090 - EW COLUMN TO EXP. EW RAFTER CONNECTION (BU/HR COLUMN WITH COL EXT AT FLUSH/INSET GIRTS)

[Download the DWG file by clicking here.](#)



**ENDWALL COL TO EXP. EW RAFTER CONNECTION**

10" DEEP (MIN.) BU/HR COLUMN AND COLUMN EXTENSION AT FLUSH/INSET GIRTS  
REFERENCE ERECTOR NOTE FOR TYPICAL WASHER REQUIREMENTS

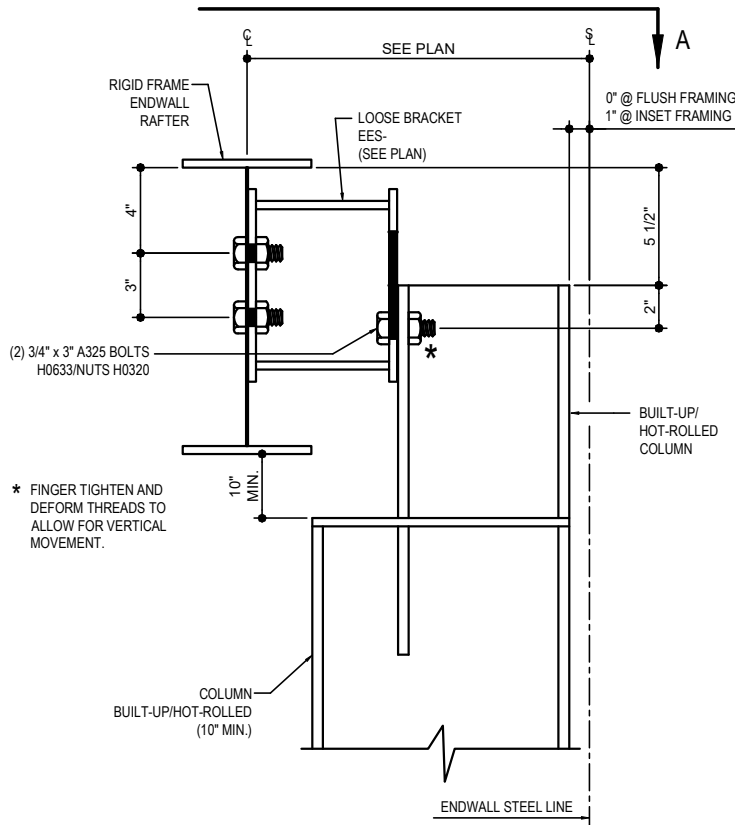
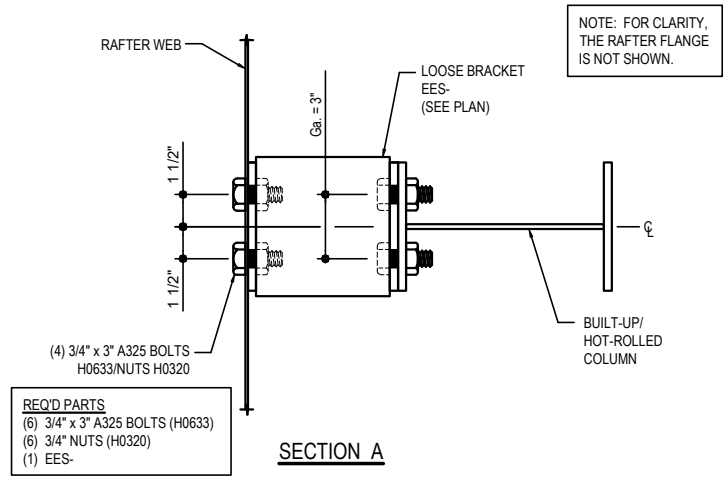
**AD0090**

**Detailer Notes:**

- 1) N/A

AD0091 - EW COLUMN TO EXP. EW RAFTER CONNECTION (BU/HR COLUMN WITH COL EXT AT FLUSH/INSET GIRTS)

[Download the DWG file by clicking here.](#)



**ENDWALL COL TO EXP. EW RAFTER CONNECTION**

10" DEEP (MIN.) BU/HR COLUMN AND COLUMN EXTENSION AT FLUSH/INSET GIRTS  
REFERENCE ERECTOR NOTE FOR TYPICAL WASHER REQUIREMENTS

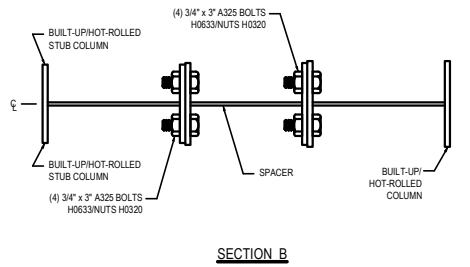
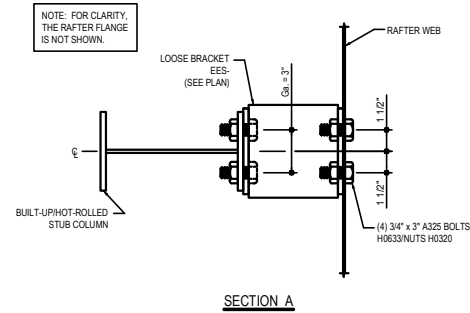
**AD0091**

Detailer Notes:

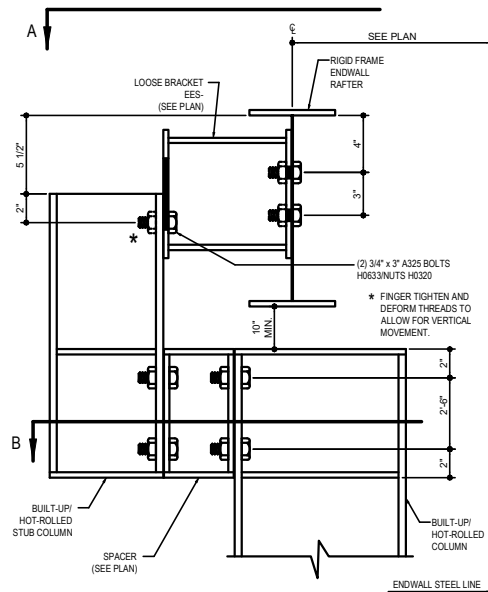
- 1) N/A

AD0136 - EW COLUMN TO EXP. EW RAFTER CONNECTION (BU/HR COL AND BU/HR STUB INSIDE OF FRAME w/ SPACER)

[Download the DWG file by clicking here.](#)



- REQ'D PARTS**
- (14) 3/4" x 3" A325 BOLTS (H0633)
  - (14) 3/4" NUTS (H0320)
  - (1) EES-
  - (1) SPACER BRACKET



**ENDWALL COL TO EXP. EW RAFTER CONNECTION**

BUILT-UP/HOT-ROLLED COLUMN AND BU/HR STUB INSIDE OF FRAME w/ SPACER  
REFERENCE ERECTOR NOTE FOR TYPICAL WASHER REQUIREMENTS

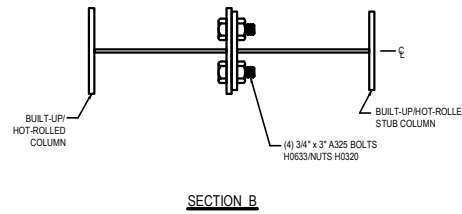
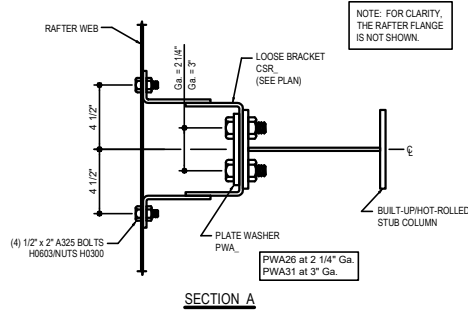
AD0136

Detailer Notes:

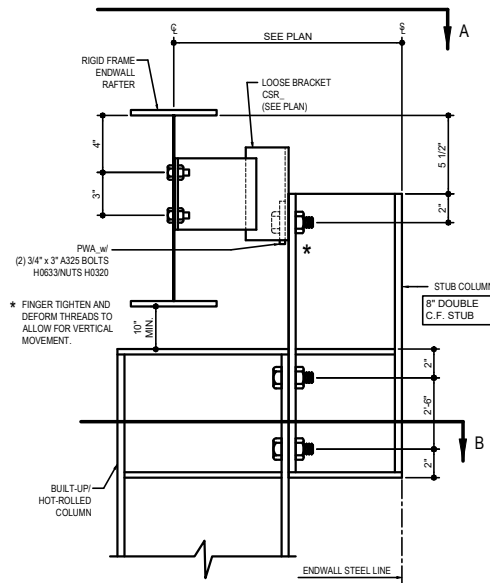
- 1) N/A

AD0140 - EW COLUMN TO EXP. EW RAFTER CONNECTION (BU/HR COLUMN AND BU/HR STUB AT BYPASS GIRTS)

[Download the DWG file by clicking here.](#)



- REQD PARTS**
- (4) 1/2" x 2" A325 BOLTS (H0603)
  - (4) 1/2" NUTS (H0300)
  - (6) 3/4" x 3" A325 BOLTS (H0633)
  - (6) 3/4" NUTS (H0320)
  - (1) CSR
  - (1) PWA



**ENDWALL COL TO EXP. EW RAFTER CONNECTION**

BUILT-UP/HOT-ROLLED COLUMN AND BU/HR STUB AT BYPASS GIRTS  
REFERENCE ERECTOR NOTE FOR TYPICAL WASHER REQUIREMENTS

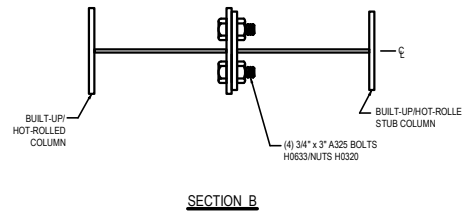
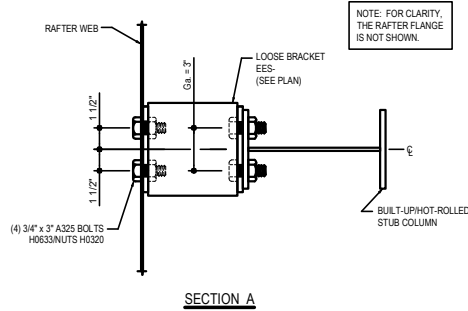
AD0140

**Detailer Notes:**

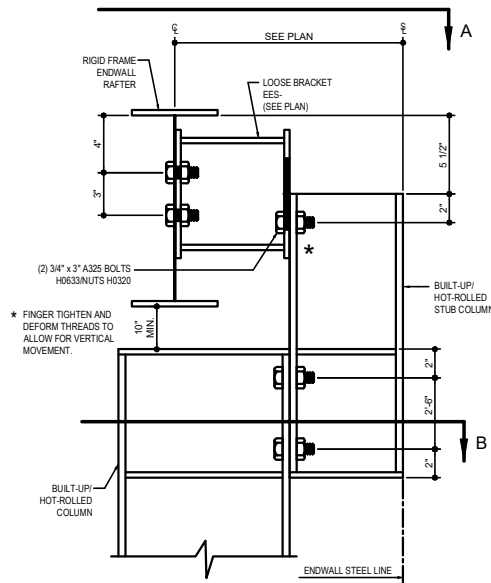
- 1) N/A

AD0141 - EW COLUMN TO EXP. EW RAFTER CONNECTION (BU/HR COLUMN AND BU/HR STUB AT BYPASS GIRTS)

[Download the DWG file by clicking here.](#)



REQ'D PARTS
(10) 3/4" x 3" A325 BOLTS (H0633)
(10) 3/4" NUTS (H0320)
(1) EES-



**ENDWALL COL TO EXP. EW RAFTER CONNECTION**

BUILT-UP/HOT-ROLLED COLUMN AND 8" BUILT-UP/HOT-ROLLED STUB AT BYPASS GIRTS  
REFERENCE ERECTOR NOTE FOR TYPICAL WASHER REQUIREMENTS

AD0141

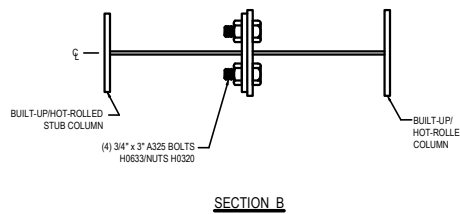
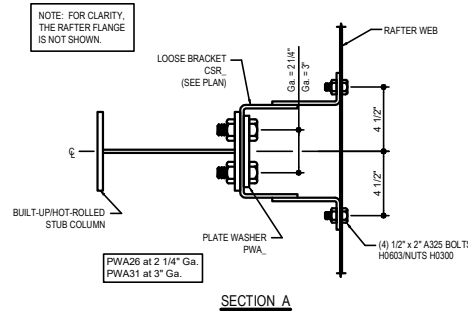
Detailer Notes:

- 1) N/A

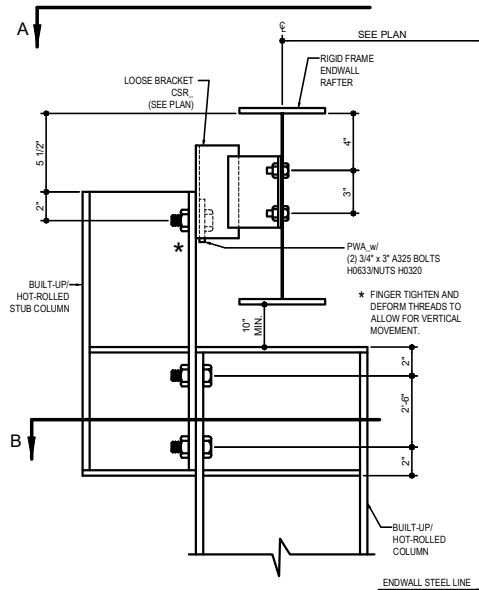


AD0145 - EW COLUMN TO EXP. EW RAFTER CONNECTION (BU/HR COLUMN AND BU/HR STUB INSIDE OF FRAME)

[Download the DWG file by clicking here.](#)



- REQD PARTS**
- (4) 1/2" x 2" A325 BOLTS (H0603)
  - (4) 1/2" NUTS (H0300)
  - (6) 3/4" x 3" A325 BOLTS (H0633)
  - (6) 3/4" NUTS (H0320)
  - (1) CSR
  - (1) PWA



**ENDWALL COL TO EXP. EW RAFTER CONNECTION**

BUILT-UP/HOT-ROLLED COLUMN AND BU/HR STUB INSIDE OF FRAME  
REFERENCE ERECTOR NOTE FOR TYPICAL WASHER REQUIREMENTS

**AD0145**

Detailer Notes:

- 1) N/A