

TABLE OF CONTENTS

FLANGE BRACING DETAILS

AG0003 - FLANGE BRACE MARK NUMBER DETAIL

AG0010 - FLANGE BRACE AT PURLIN AND RAFTER

AG0020 - FLANGE BRACE AT JOIST AND RAFTER

AG0026 - ALL BOLTED FLANGE BRACE AT JOIST AND RAFTER CONN

AG0030 - FLANGE BRACE AT COLUMN AND GIRT

AG0040 - FLANGE BRACE AT COLUMN AND MASONARY WALL

AG0050 - FLANGE BRACE AT COLUMN AND CEE GIRT

AG0105 - FLANGE BRACE WITH BASKET INSUL OR LINER AT COLUMN

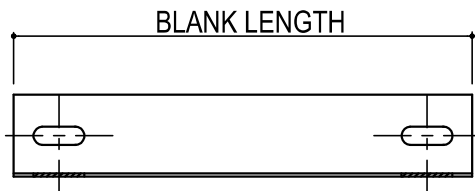
AG0110 - FLANGE BRACE WITH BASKET INSUL OR LINER AT RAFTER

AG0210 - FLANGE BRACE WITH PURLIN AT HIP & VALLEY RAFTER

AG0003 - FLANGE BRACE MARK NUMBERS

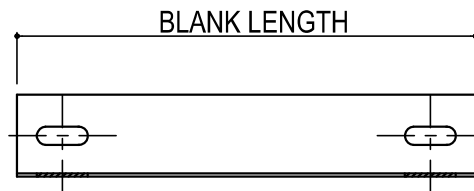
[Download the DWG file by clicking here.](#)

FBC  INDICATES LENGTH OF FLANGE BRACE IN INCHES



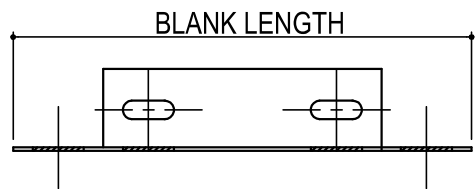
FBH- COUNTER (1-999)

SPECIAL LENGTH FLANGE BRACE



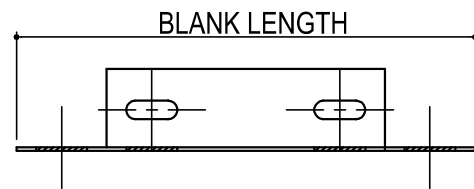
FBE__ COUNTER (01-07)

COPED FLANGE BRACE



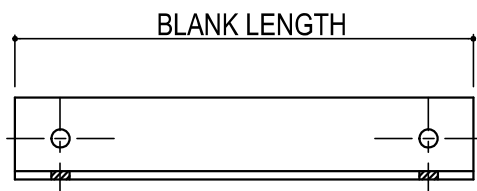
FBJ- COUNTER (1-999)

SPECIAL LENGTH COPED FLANGE BRACE



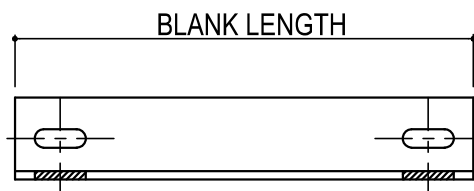
FBF- COUNTER (1-999)

3" X 3" 1/4" BRACE ANGLE



FBK 

INDICATES LENGTH OF FLANGE BRACE IN INCHES



FLANGE BRACE MARK NUMBERS

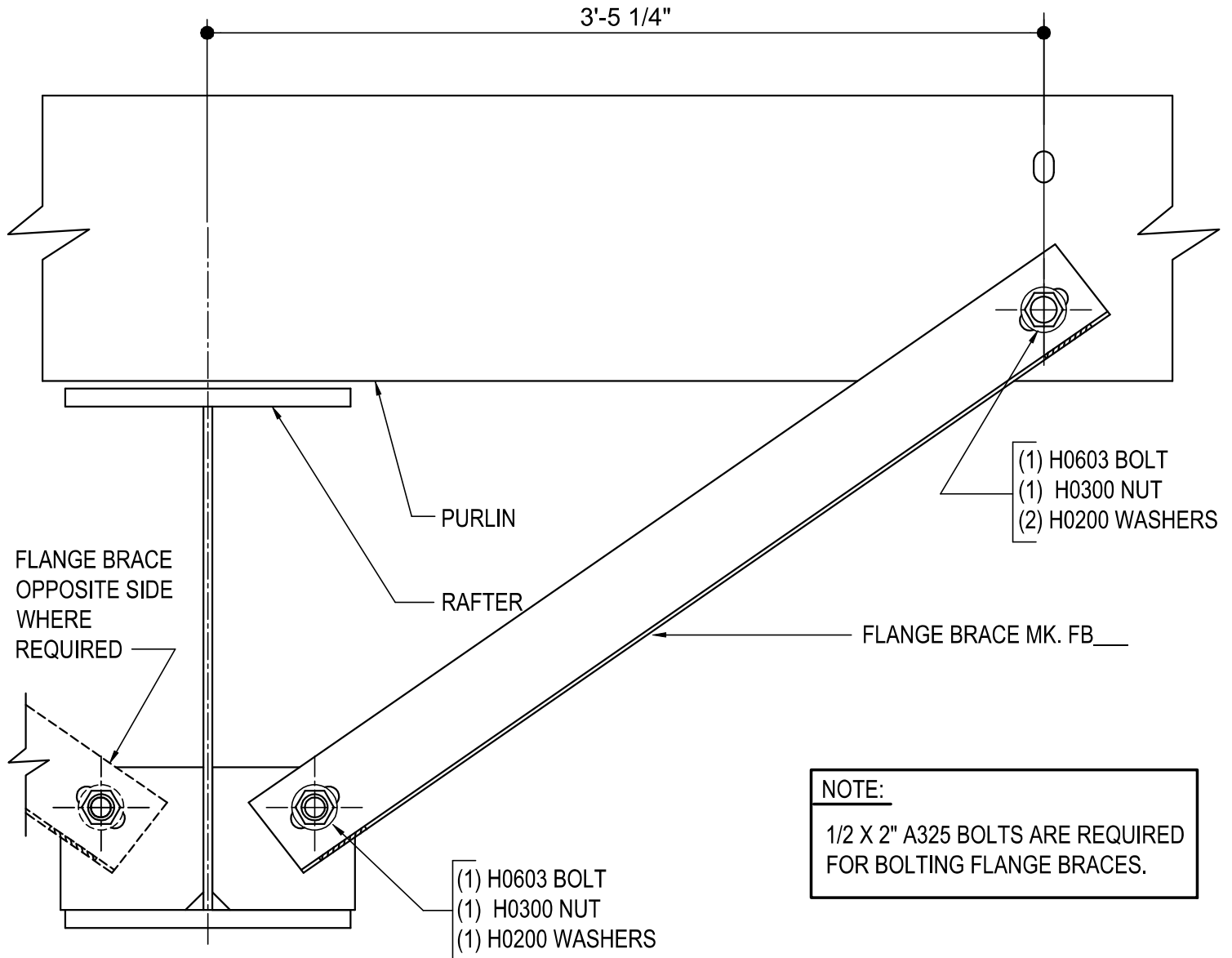
AG0003

Detailer Notes:

- 1) THIS DETAIL SHOULD BE PLACED ON ALL JOBS THAT HAVE FLANGE BRACING.

AG0010 - FLANGE BRACE AT PURLIN AND RAFTER

[Download the DWG file by clicking here.](#)



FLANGE BRACE AT PURLIN & RAFTER

SEE PLANS AND ELEVATIONS FOR FLANGE BRACE LOCATIONS, PART MARKS & QUANTITIES.

AG0010

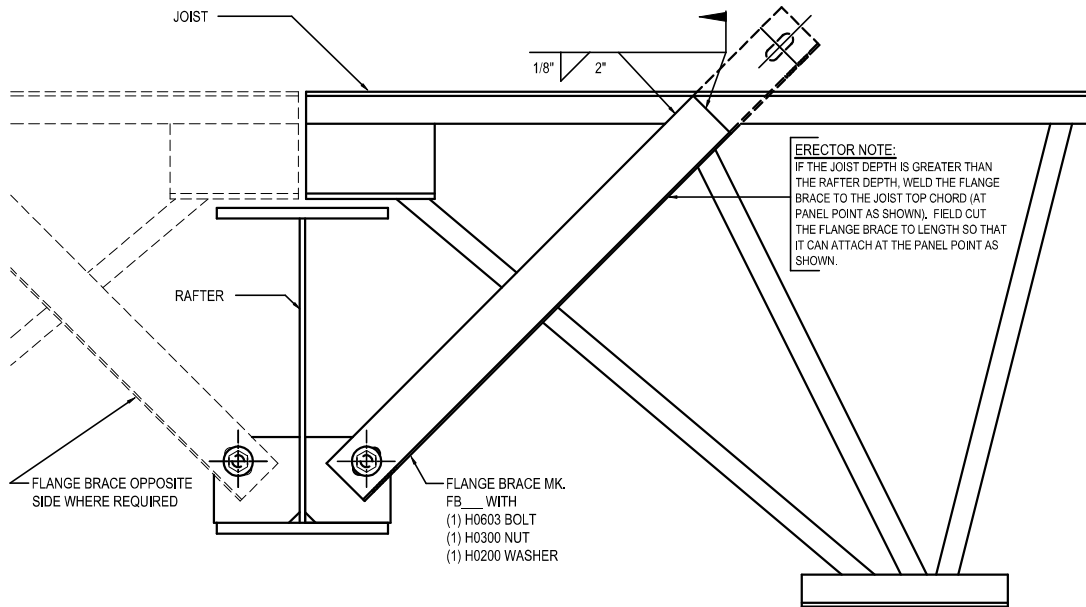
AG0010

Detailer Notes:

- 1) N/A

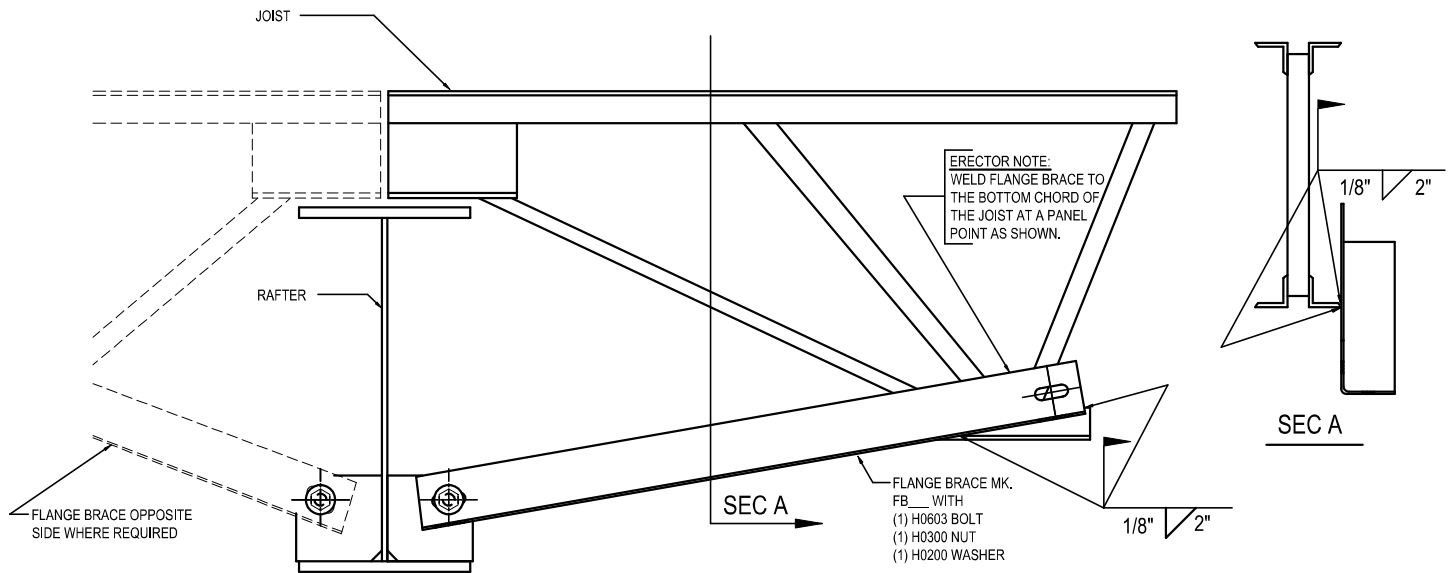
AG0020 - FLANGE BRACE DETAILS FOR JOIST TO RAFTER CONNECTION

[Download the DWG file by clicking here.](#)



FLANGE BRACE DETAIL IF JOIST DEPTH GREATER THAN RAFTER DEPTH

ALL FLANGE BRACE CONNECTIONS REQUIRE 1/2" x 2" A325 BOLTS UNLESS NOTED OTHERWISE
SEE PLANS AND ELEVATIONS FOR FLANGE BRACE LOCATIONS, PART MARKS, & QUANTITIES



FLANGE BRACE DETAIL IF RAFTER DEPTH GREATER THAN JOIST DEPTH

ALL FLANGE BRACE CONNECTIONS REQUIRE 1/2" x 2" A325 BOLTS UNLESS NOTED OTHERWISE
SEE PLANS AND ELEVATIONS FOR FLANGE BRACE LOCATIONS, PART MARKS, & QUANTITIES

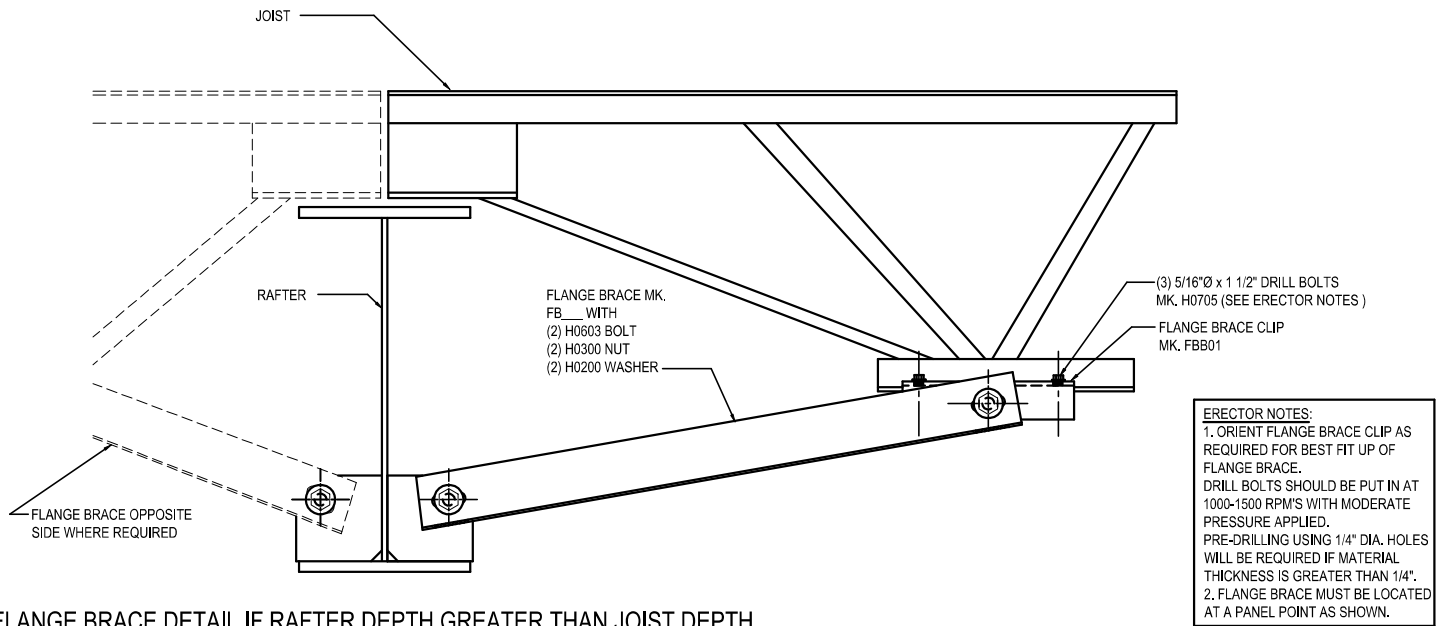
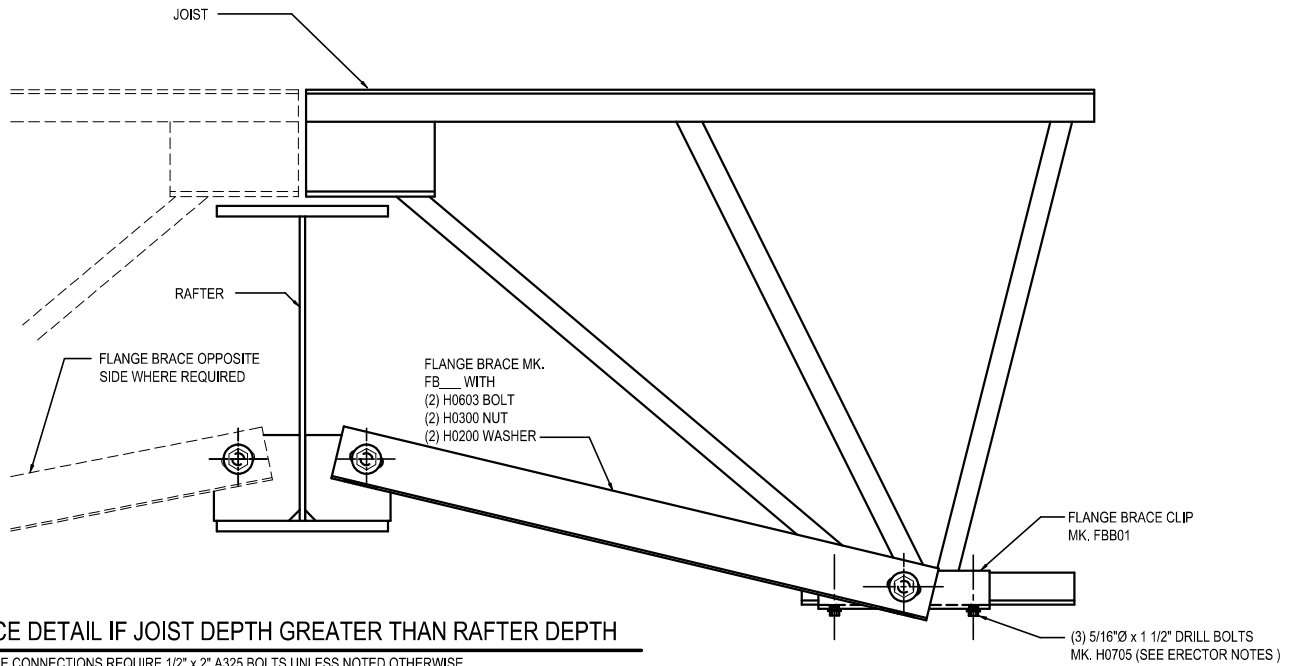
AG0020

Detailer Notes:

- 1) N/A

AG0026 - ALL BOLTED FLANGE BRACE AT JOIST & RAFTER CONN

[Download the DWG file by clicking here.](#)



ERECTOR NOTES:
1. ORIENT FLANGE BRACE CLIP AS REQUIRED FOR BEST FIT UP OF FLANGE BRACE.
DRILL BOLTS SHOULD BE PUT IN AT 1000-1500 RPM'S WITH MODERATE PRESSURE APPLIED.
PRE-DRILLING USING 1/4" DIA. HOLES WILL BE REQUIRED IF MATERIAL THICKNESS IS GREATER THAN 1/4".
2. FLANGE BRACE MUST BE LOCATED AT A PANEL POINT AS SHOWN.

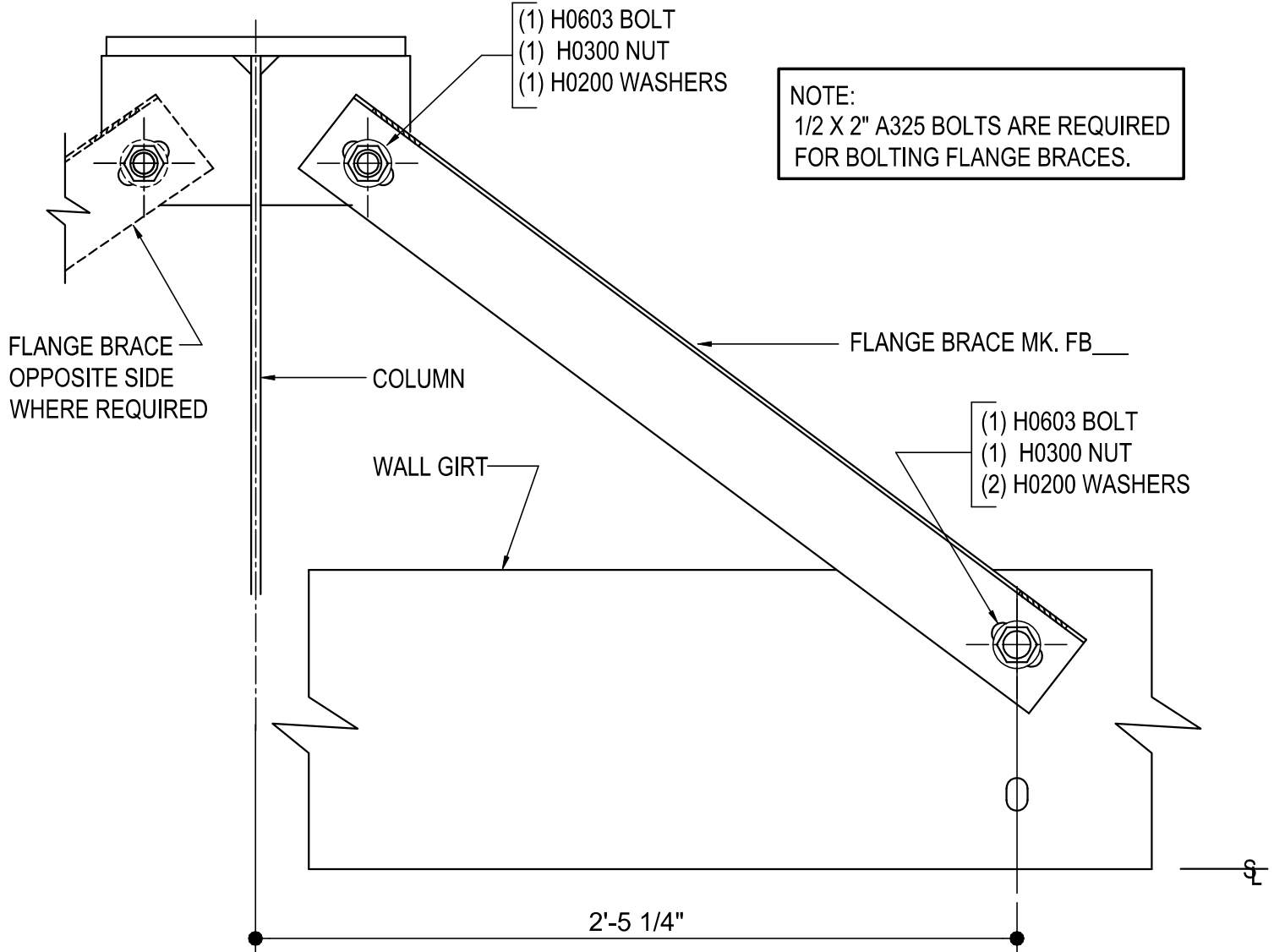
AG0026

Detailer Notes:

- 1) N/A

AG0030 - FLANGE BRACE AT COLUMN & GIRT

[Download the DWG file by clicking here.](#)



FLANGE BRACE AT COLUMN & GIRT

SEE PLANS AND ELEVATIONS FOR FLANGE BRACE LOCATIONS, PART MARKS, & QUANTITIES

AG0030

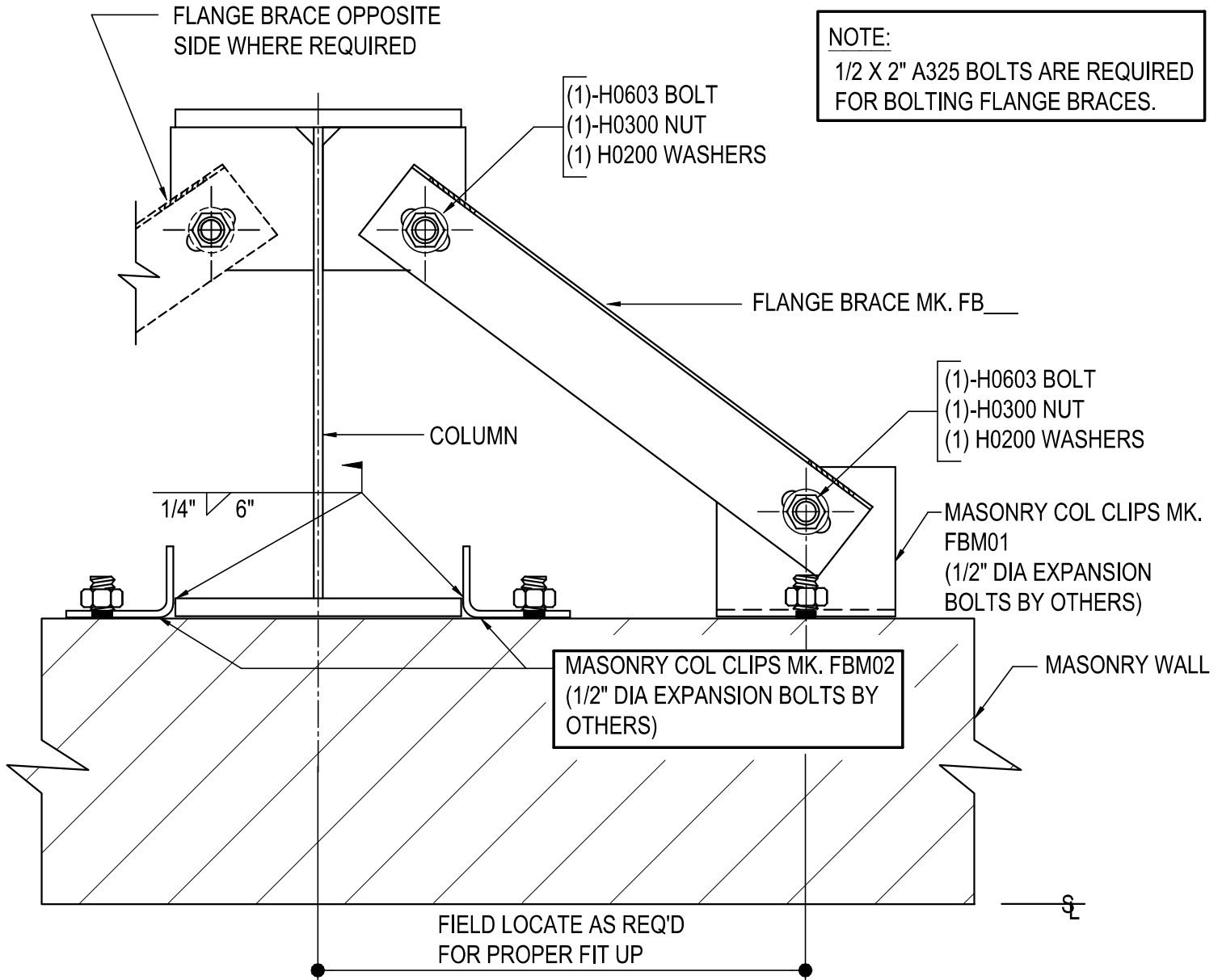
AG0030

Detailer Notes:

- 1) N/A

AG0040 - FLANGE BRACE AT COLUMN & MASONRY WALL

[Download the DWG file by clicking here.](#)



FLANGE BRACE AT COLUMN & MASONRY WALL

SEE PLANS AND ELEVATIONS FOR FLANGE BRACE LOCATIONS, PART MARKS, & QUANTITIES

AG0040

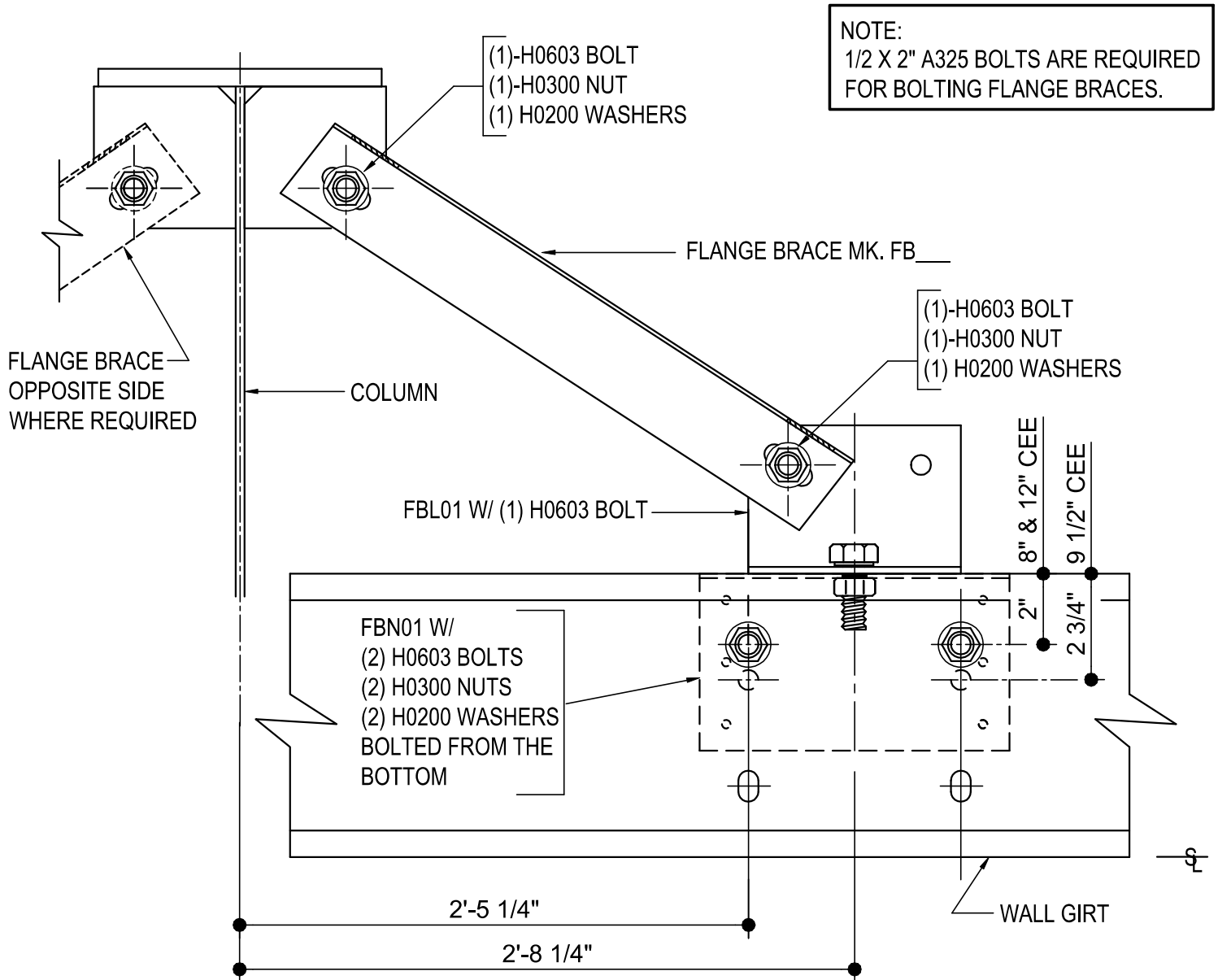
AG0040

Detailer Notes:

- 1) N/A

AG0050 - FLANGE BRACE AT COLUMN & CEE GIRT

[Download the DWG file by clicking here.](#)



FLANGE BRACE AT COLUMN & CEE GIRT

NOTES: SEE PLANS AND ELEVATIONS FOR FLANGE BRACE LOCATIONS, PART MARKS & QUANTITIES.
INSTALL FLANGE BRACE CLIP FBN01 PRIOR TO ERECTING MASONRY WALL.

AG0050

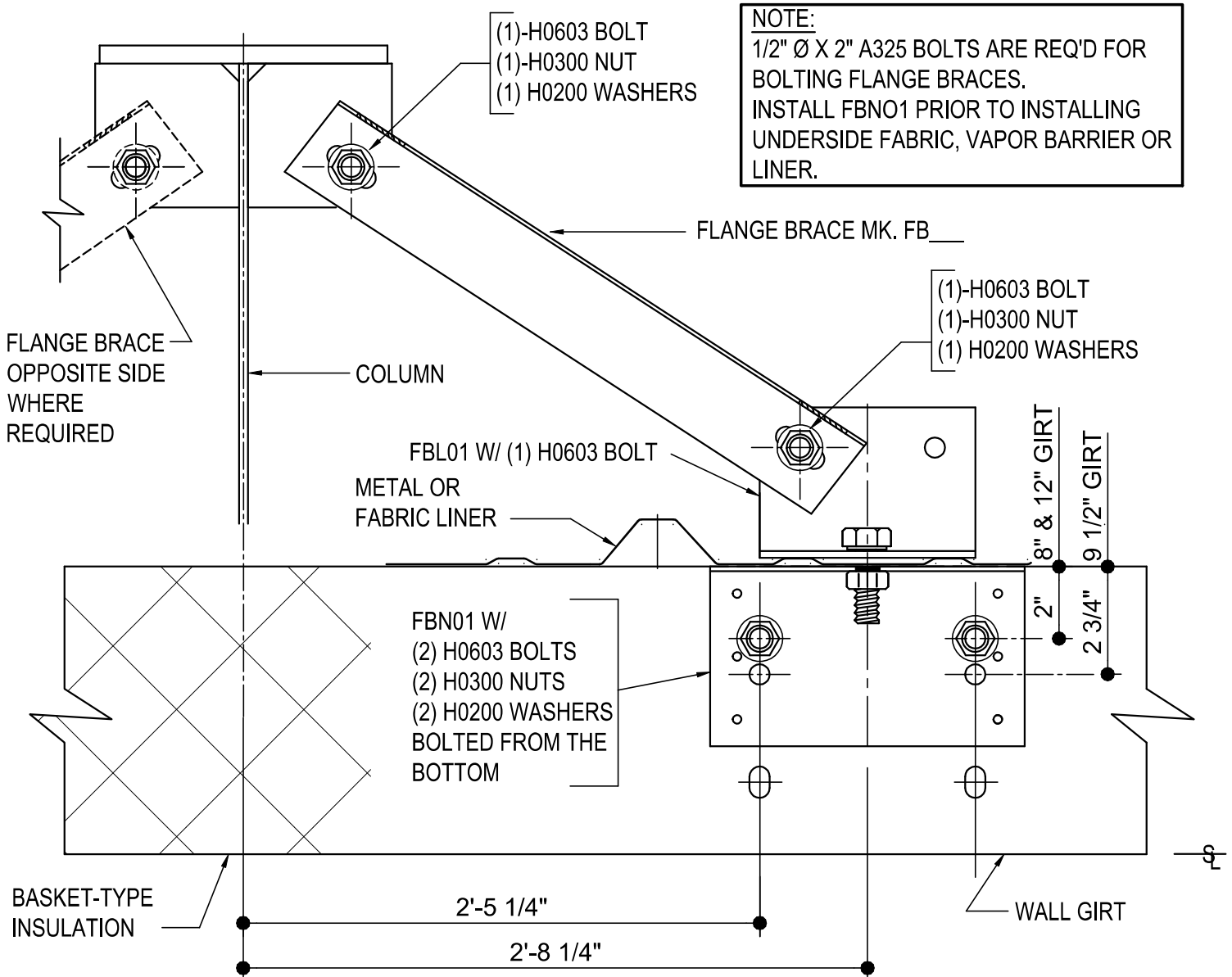
AG0050

Detailer Notes:

- 1) N/A

AG0105 - FLANGE BRACE WITH BASKET INSULATION OR LINER AT COLUMN

[Download the DWG file by clicking here.](#)



FLANGE BRACE WITH BASKET INSUL OR LINER AT COLUMN

SEE PLANS AND ELEVATIONS FOR FLANGE BRACE LOCATIONS, PART MARKS,
& QUANTITIES

AG0105

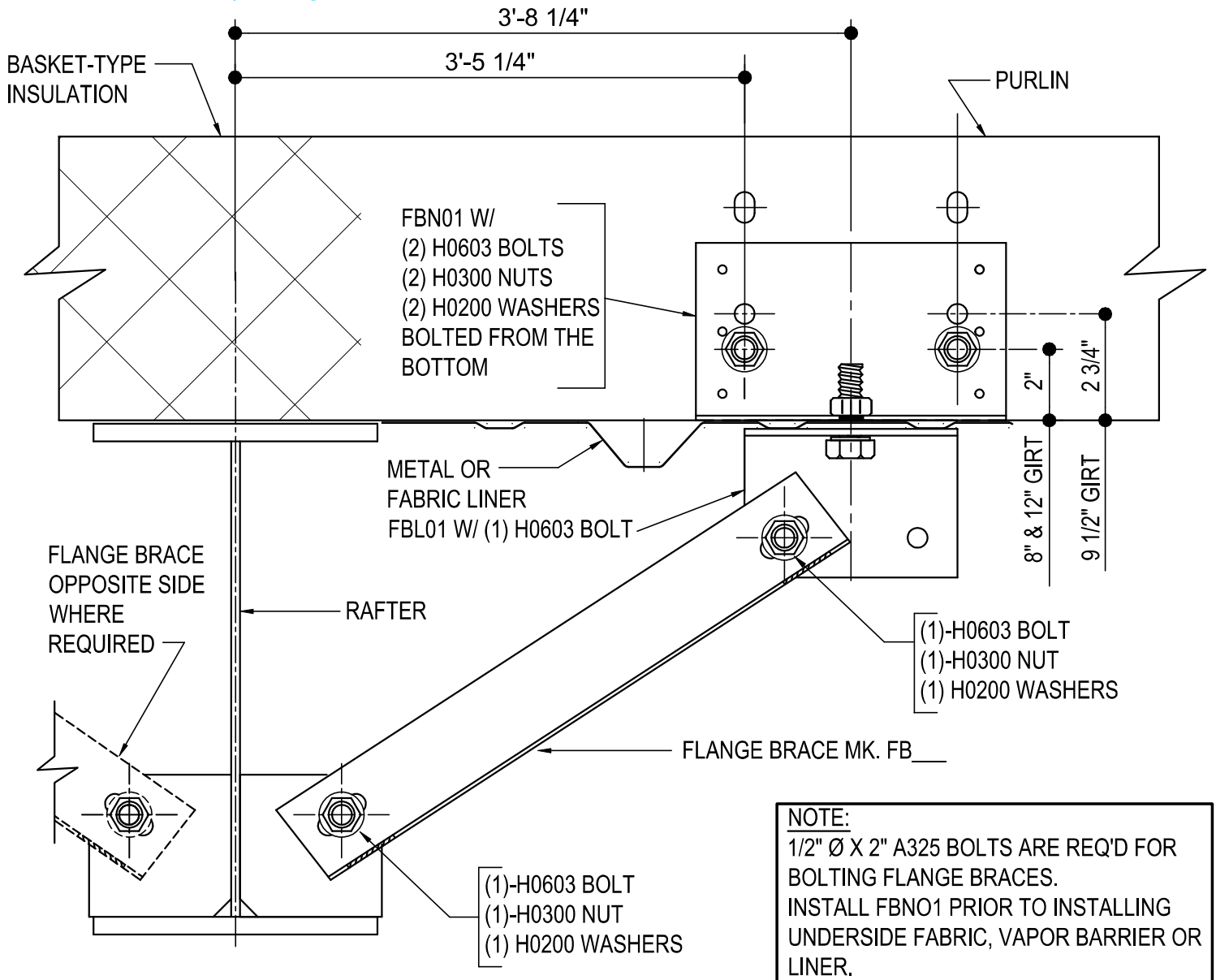
AG0105

Detailer Notes:

- 1) USE DETAIL ON ALL BASKET TYPE INSULATION SYSTEMS, FABRIC LINER OR METAL LINER JOBS.

AG0110 - FLANGE BRACE WITH BASKET INSUL OR LINER AT RAFTER

[Download the DWG file by clicking here.](#)



FLANGE BRACE WITH BASKET INSUL OR LINER AT RAFTER

AG0110

SEE PLANS AND ELEVATIONS FOR FLANGE BRACE LOCATIONS, PART MARKS, & QUANTITIES

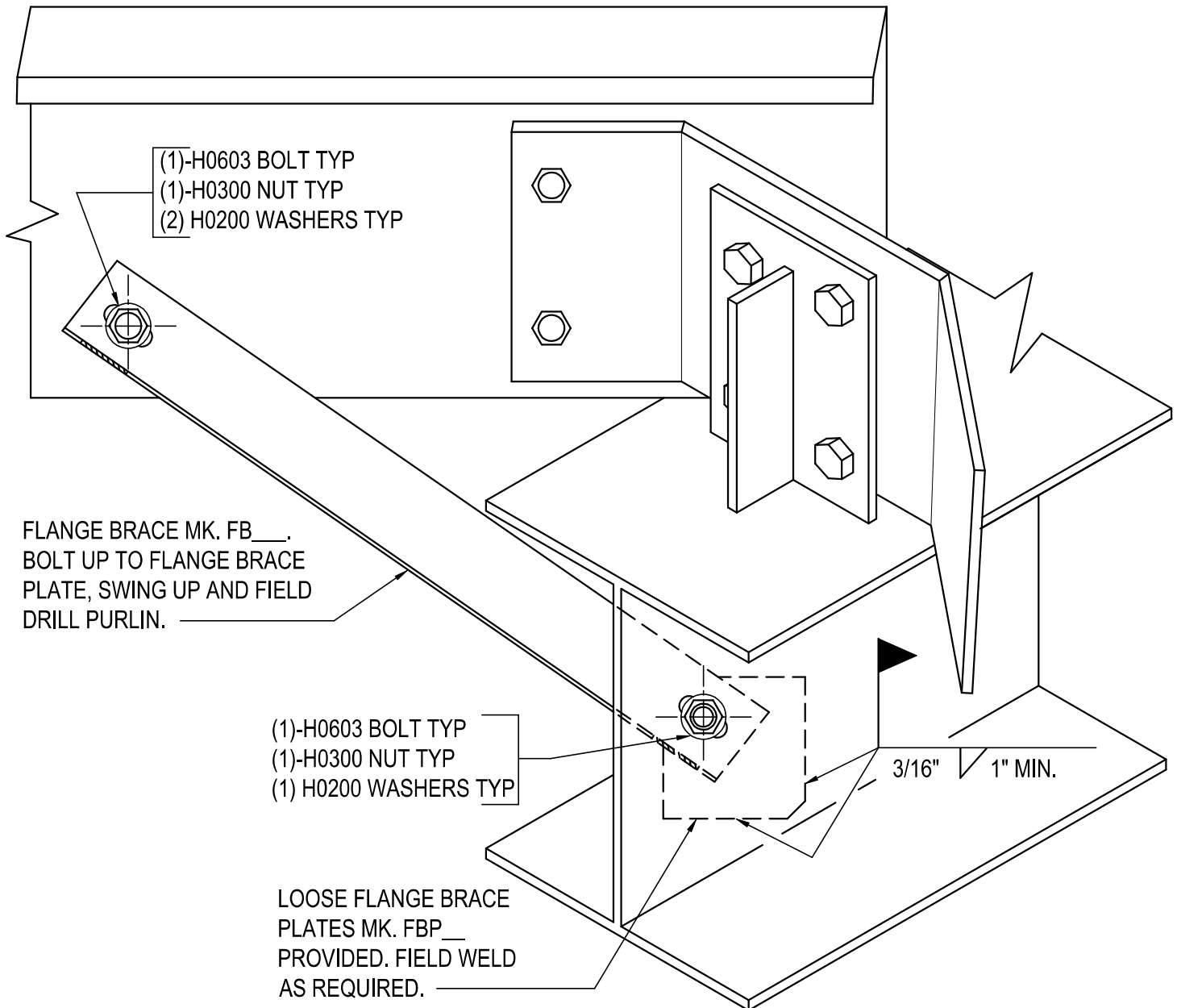
AG0110

Detailer Notes:

- 1) USE DETAIL ON ALL BASKET TYPE INSULATION SYSTEMS, FABRIC LINER OR METAL LINER JOBS.

AG0210 - FLANGE BRACE PURLIN & HIP/VALLEY RAFTER

[Download the DWG file by clicking here.](#)



FLANGE BRACE AT PURLIN & HIP/VALLEY RAFTER

SEE PLANS AND ELEVATIONS FOR FLANGE BRACE LOCATIONS, PART MARKS, & QUANTITIES.

1/2"Ø X 2" A325 BOLTS ARE REQ'D FOR BOLTING FLANGE BRACES.

AG0210

AG0210

Detailer Notes:

- 1) N/A