

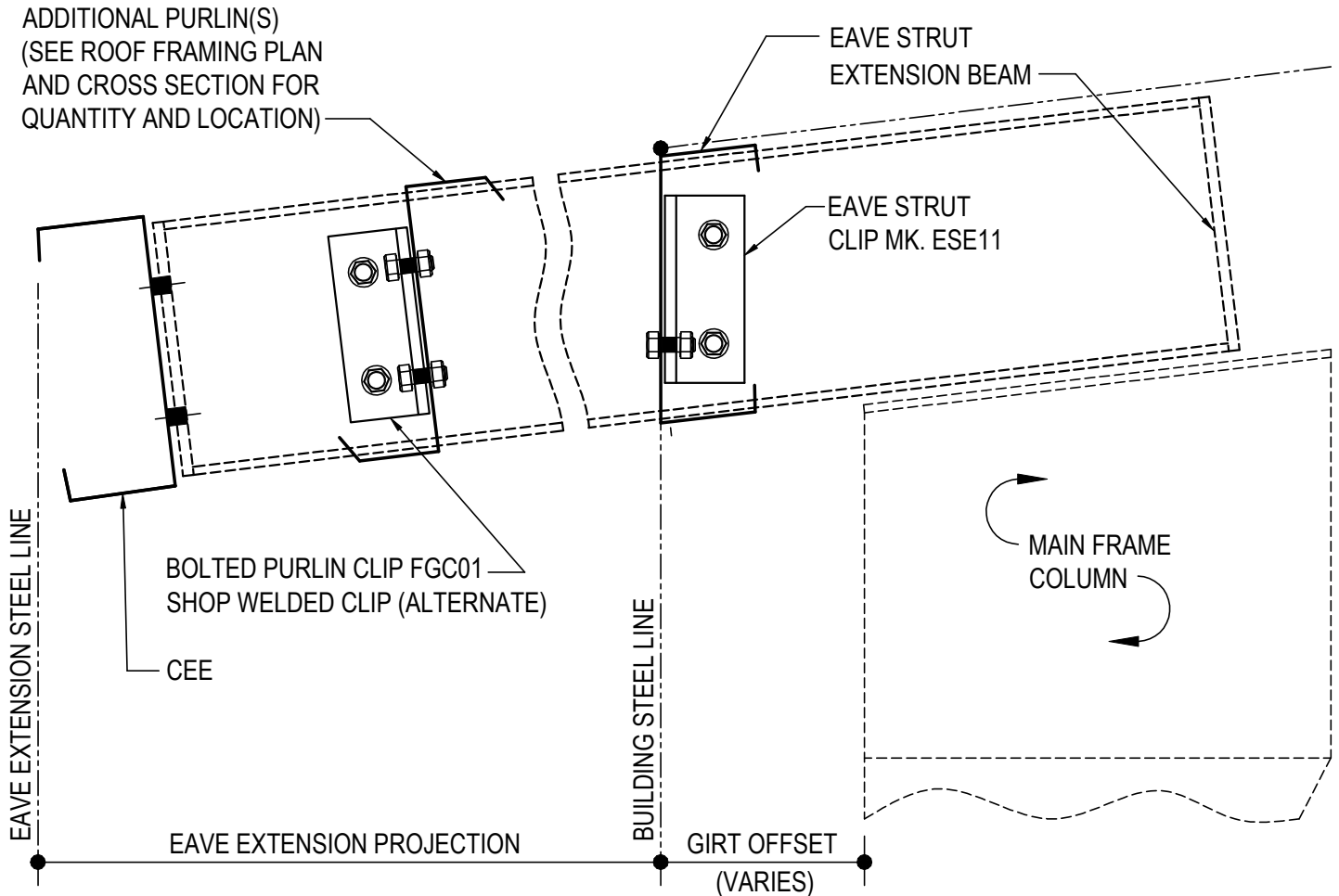
EAVE EXTENSIONS

- AN0001 - INTERMEDIATE PURLIN CONN. AT EAVE EXTENSION BEAM
 - AN0005 - LOW EAVE EXTENSION DETAIL
 - AN0010 - LOW EAVE EXTENSION DETAIL
 - AN0030 - LOW EAVE EXTENSION DETAIL
 - AN0050 - LOW EAVE EXTENSION DETAIL
 - AN0070 - LOW EAVE EXTENSION DETAIL
 - AN0080 - LOW EAVE EXTENSION DETAIL
 - AN0085 - HIGH EAVE EXTENSION DETAIL
 - AN0090 - HIGH EAVE EXTENSION DETAIL
 - AN0100 - HIGH EAVE EXTENSION DETAIL
 - AN0110 - HIGH EAVE EXTENSION DETAIL
 - AN0120 - HIGH EAVE EXTENSION DETAIL
 - AN0270 - EAVE STRUT AT EAVE EXTENSION DETAIL
-

AN0001 - INTERMEDIATE PURLIN CONN. AT EAVE EXTENSION BEAM DETAIL

[Download the DWG file by clicking here.](#)

THIS DETAIL IS ONLY INTENDED TO SHOW THE ORIENTATION OF ANY ADDITIONAL PURLINS WITHIN THE EAVE EXTENSION BEAM, SO THAT THE FGC01 CLIPS CAN BE PROPERLY INSTALLED (INSTALL THE FGC01 CLIP DOWNSLOPE FROM THE PURLIN AT ALL PURLIN CONNECTIONS AS SHOWN).



INTERMEDIATE PURLIN CONNECTION AT EAVE EXTENSION BEAM

ADDITIONAL PURLINS IN THE EAVE EXTENSION BEAM

NOTE: USE 1/2" x 2" A325 BOLTS H0603/ NUTS H0300

REFERENCE STANDARD WASHER DETAIL FOR TYPICAL WASHER REQUIREMENTS

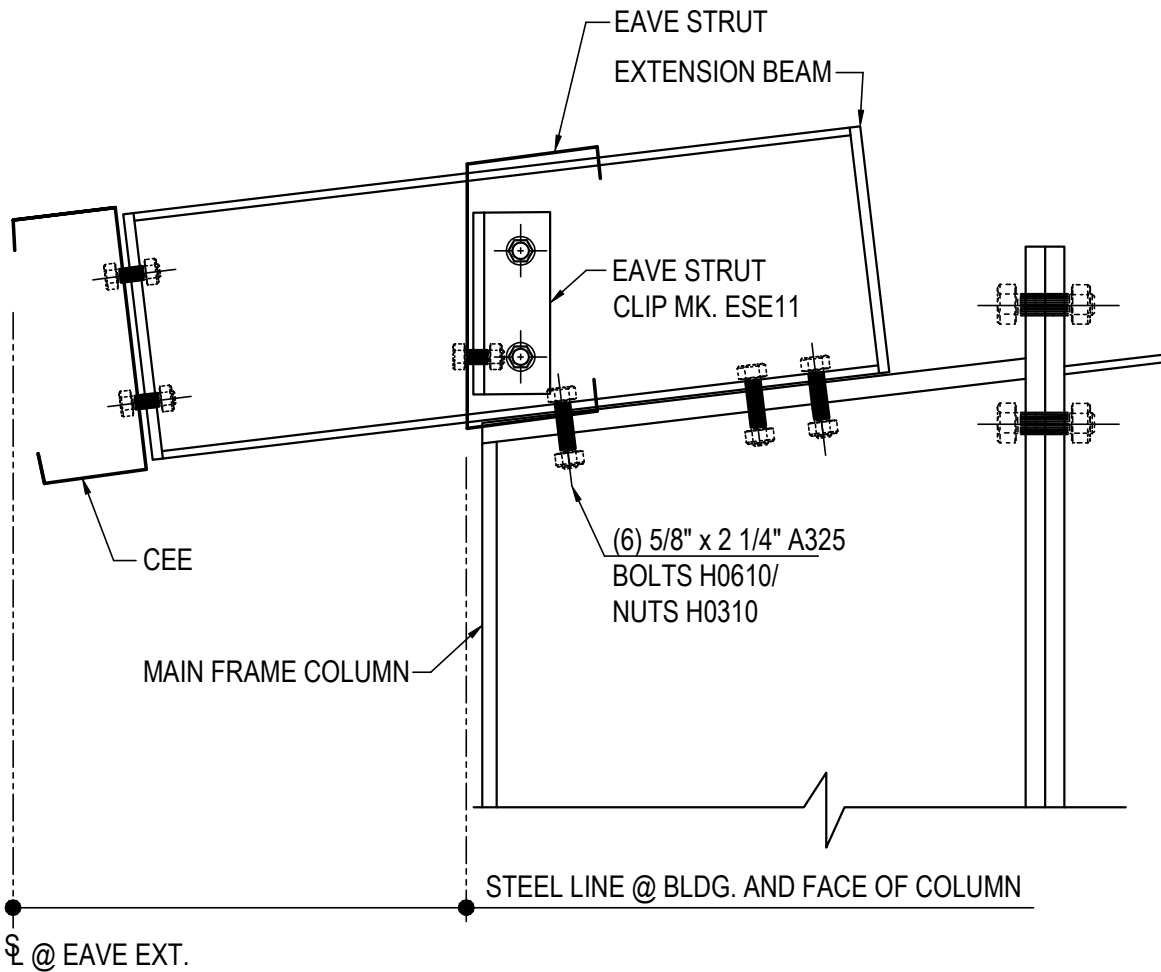
AN0001

Detailer Notes:

- 1) WELDED PURLIN CLIP TO EXTENSION BEAM - 8", 9 1/2" & 12" PURLINS USE GF102

AN0005 - LOW EAVE EXTENSION DETAIL

[Download the DWG file by clicking here.](#)



LOW EAVE EXTENSION DETAIL

FLUSH GIRTS AT INTERMEDIATE FRAMES

NOTE: USE 1/2" x 2" A325 BOLTS H0603/ NUTS H0300

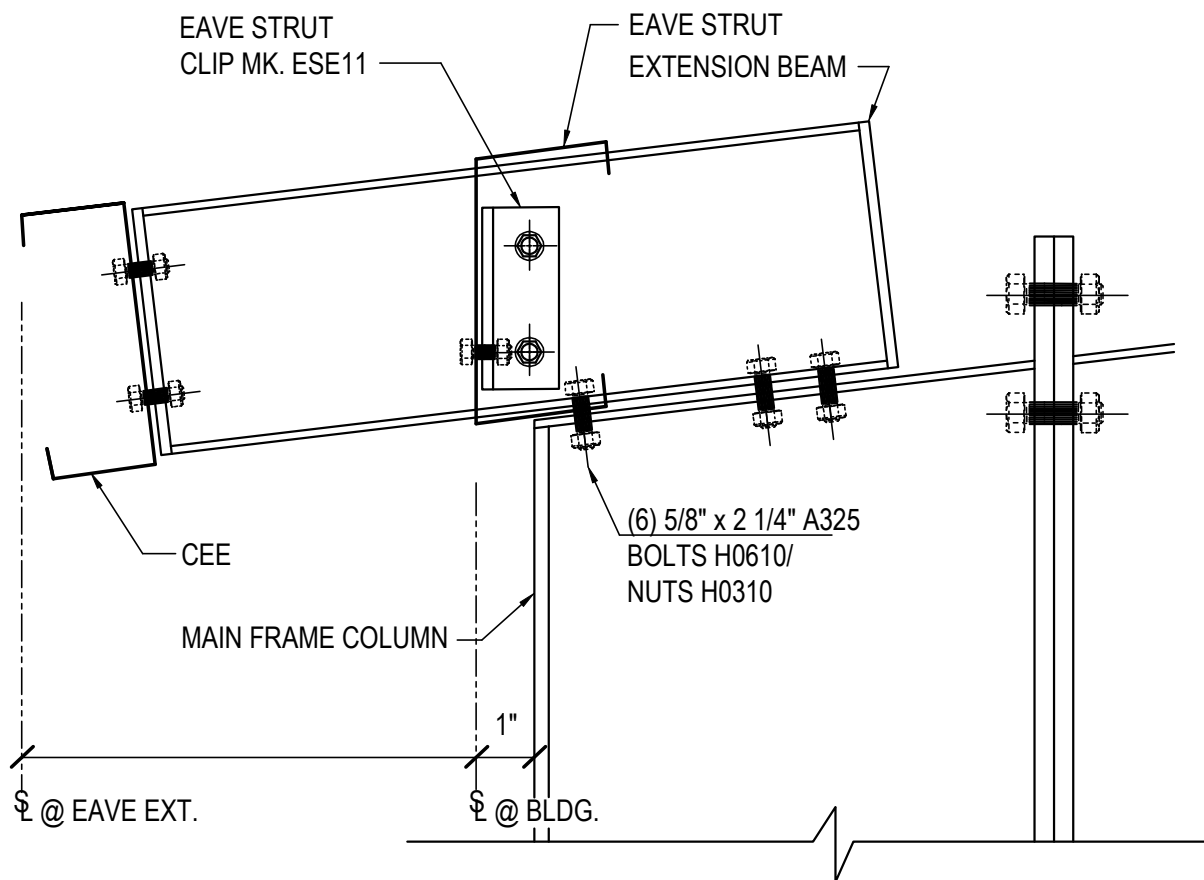
AN0005

Detailer Notes:

- 1) N/A

AN0010 - LOW EAVE EXTENSION DETAIL

[Download the DWG file by clicking here.](#)



LOW EAVE EXTENSION DETAIL

INSET GIRTS AT INTERMEDIATE FRAMES

NOTE: USE 1/2" x 2" A325 BOLTS H0603/ NUTS H0300

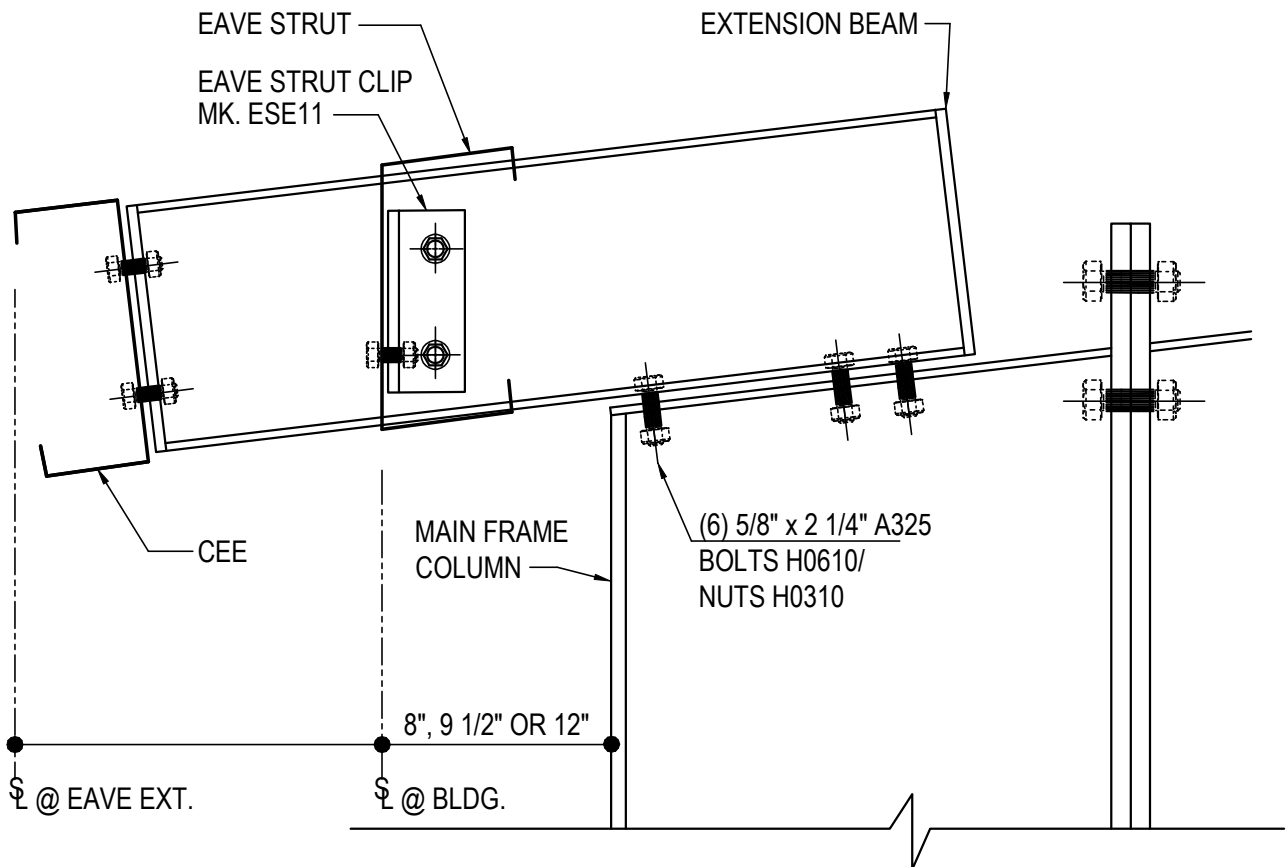
AN0010

Detailer Notes:

- 1) N/A

AN0030 - LOW EAVE EXTENSION DETAIL

[Download the DWG file by clicking here.](#)



LOW EAVE EXTENSION DETAIL

BYPASS GIRTS AT INTERMEDIATE FRAMES FOR HAUNCH DEPTHS > 1'-3"
NOTE: USE 1/2" x 2" A325 BOLTS H0603/NUTS H0300

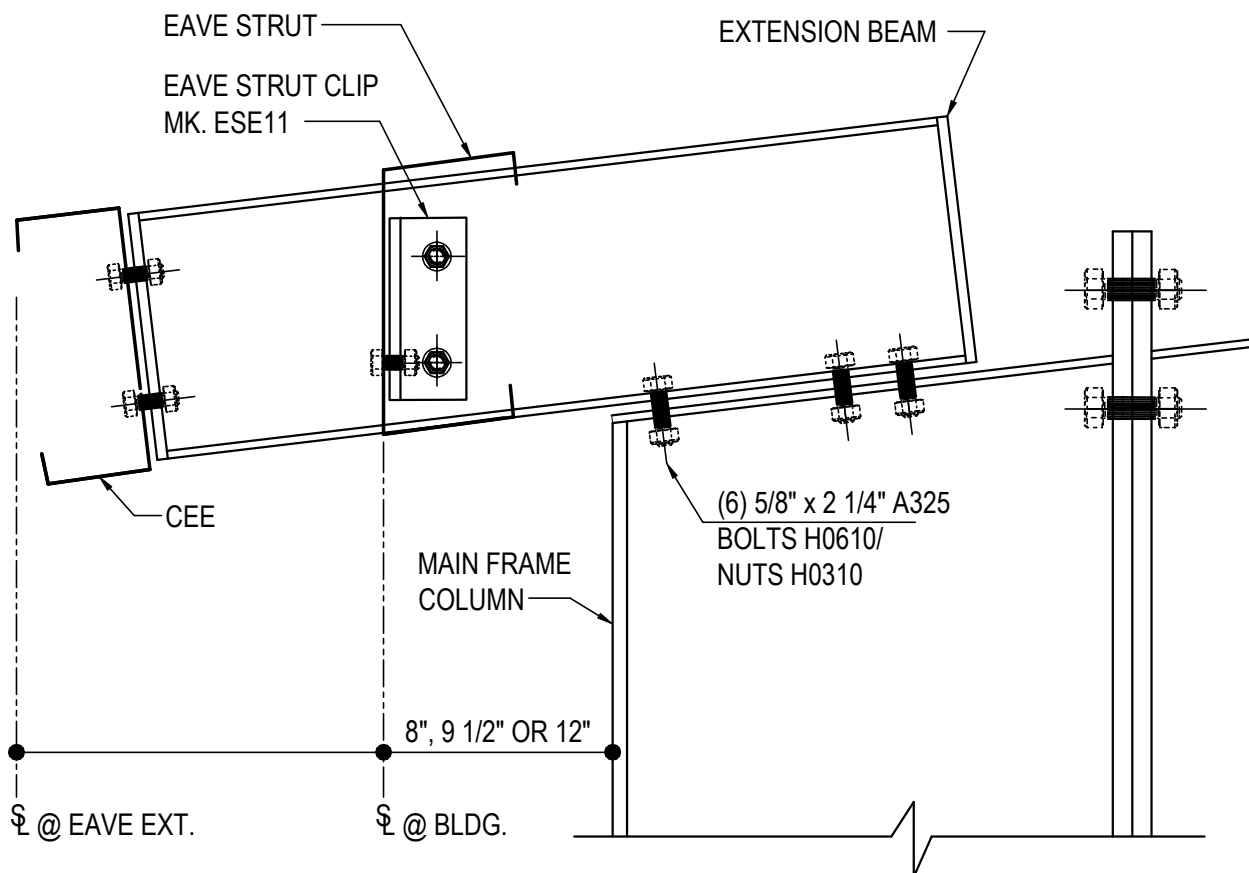
AN0030

Detailer Notes:

- 1) N/A

AN0050 - LOW EAVE EXTENSION DETAIL

[Download the DWG file by clicking here.](#)



LOW EAVE EXTENSION DETAIL

BYPASS GIRTS AT INTERMEDIATE FRAMES FOR HAUNCH DEPTHS \leq 1'-3"
NOTE: USE 1/2" x 2" A325 BOLTS H0603/ NUTS H0300

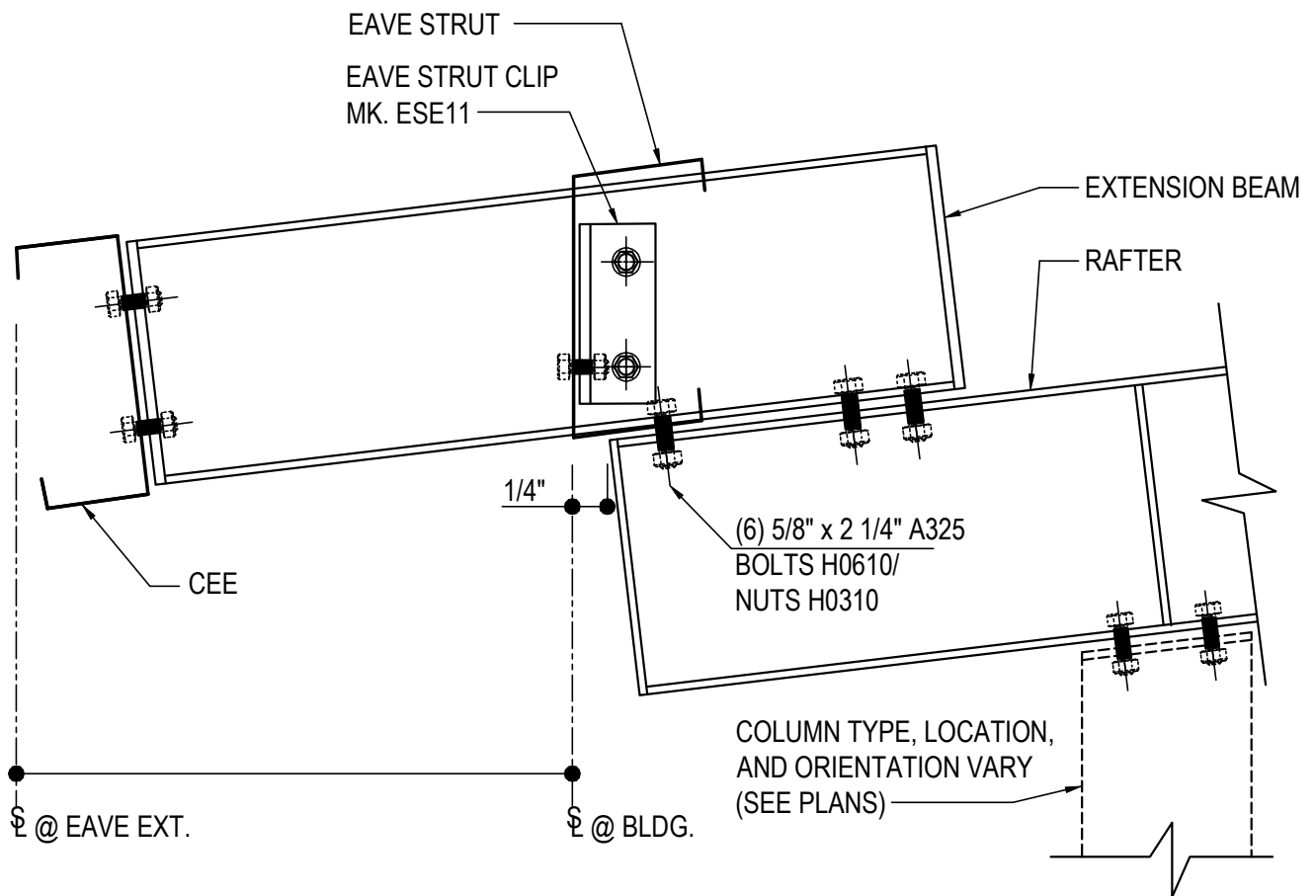
AN0050

Detailer Notes:

- 1) N/A

AN0070 - LOW EAVE EXTENSION DETAIL

[Download the DWG file by clicking here.](#)



LOW EAVE EXTENSION DETAIL

POST AND BEAM ENDWALL

NOTE: USE 1/2" x 2" A325 BOLTS H0603/ NUTS H0300

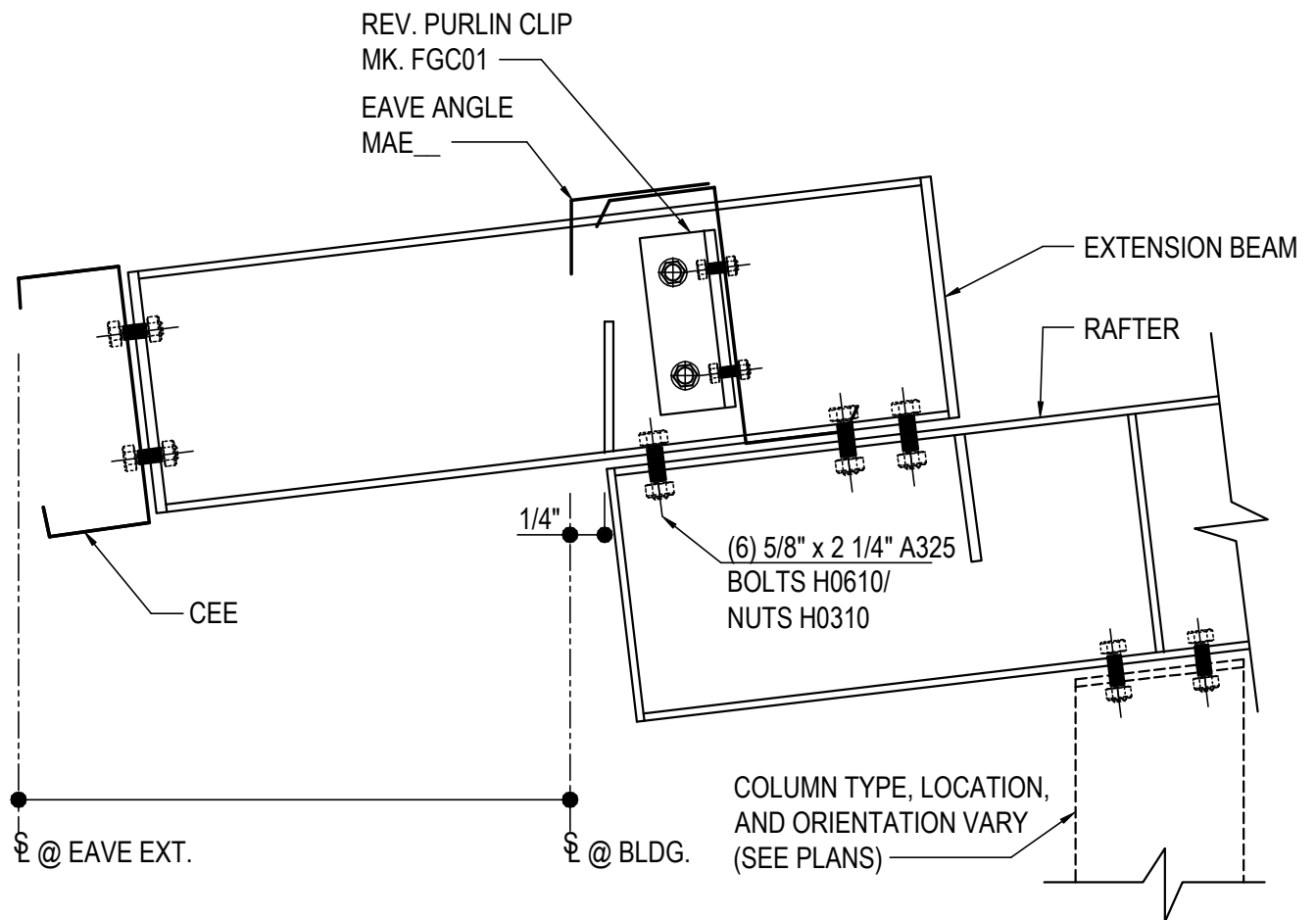
AN0070

Detailer Notes:

- 1) N/A

AN0080 - LOW EAVE EXTENSION DETAIL

[Download the DWG file by clicking here.](#)



LOW EAVE EXTENSION DETAIL

POST AND BEAM ENDWALL

NOTE: USE 1/2" x 2" A325 BOLTS H0603/ NUTS H0300

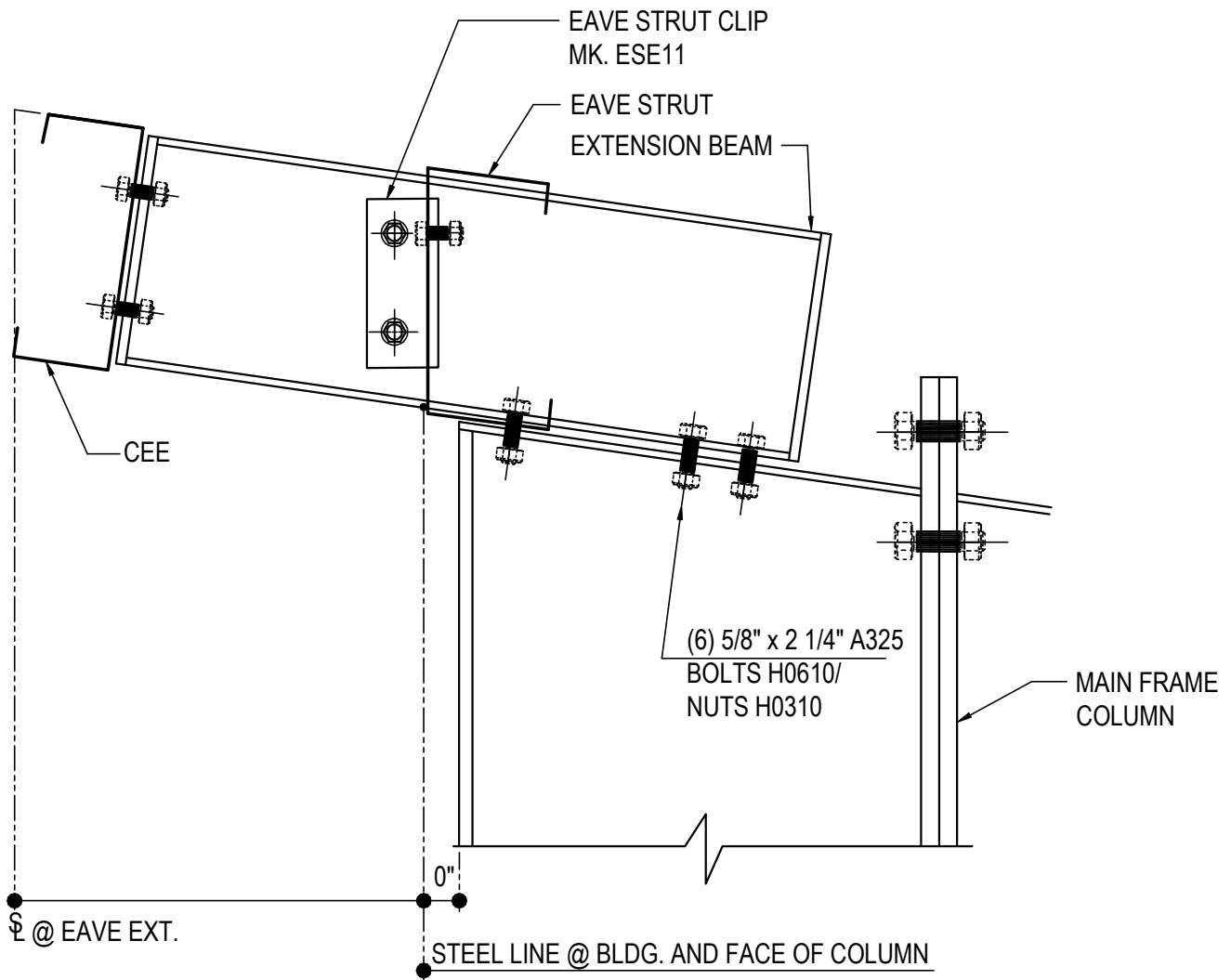
AN0080

Detailer Notes:

- 1) N/A

AN0085 - HIGH EAVE EXTENSION DETAIL

[Download the DWG file by clicking here.](#)



HIGH EAVE EXTENSION DETAIL

FLUSH GIRTS AT INTERMEDIATE FRAMES

NOTE: USE 1/2" x 2" A325 BOLTS H0603/ NUTS H0300

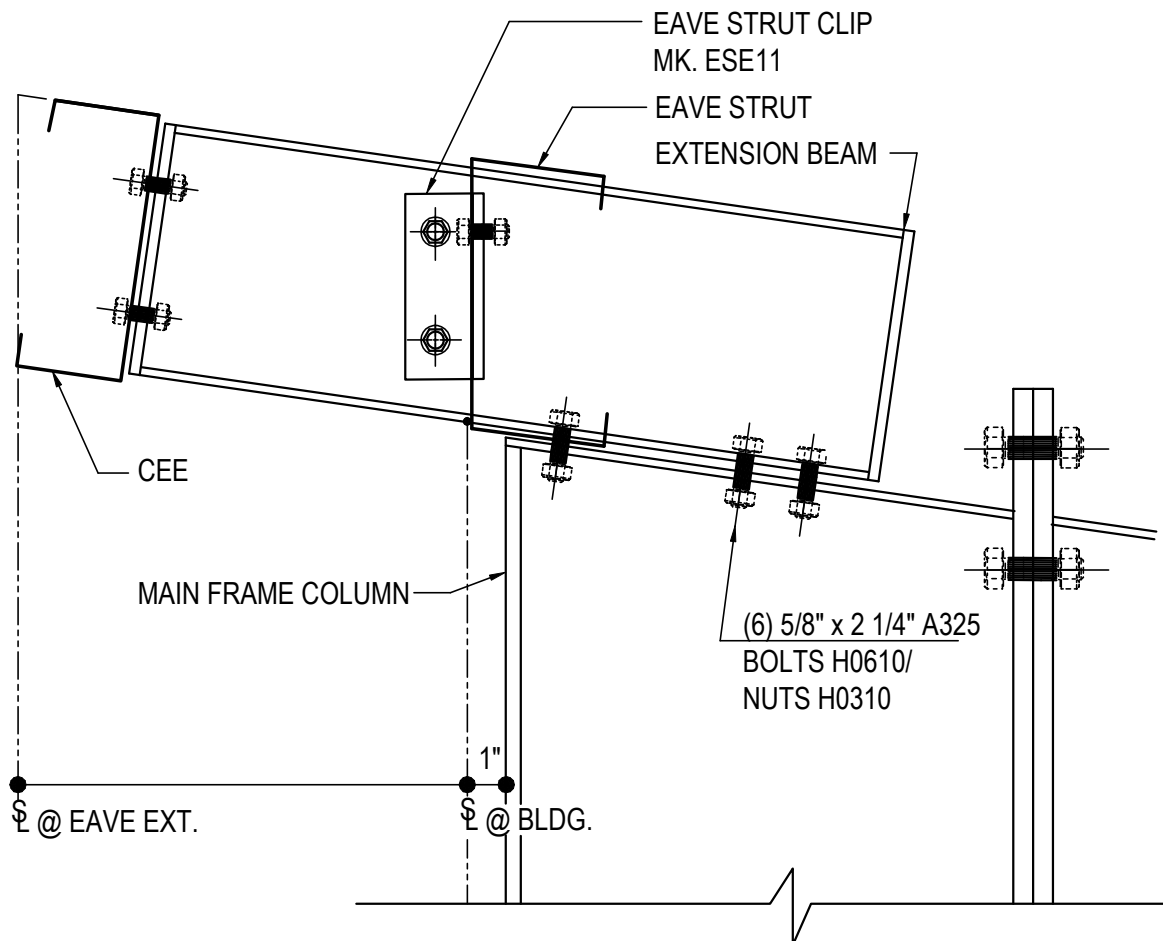
AN0085

Detailer Notes:

- 1) N/A

AN0090 - HIGH EAVE EXTENSION DETAIL

[Download the DWG file by clicking here.](#)



HIGH EAVE EXTENSION DETAIL

FLUSH GIRTS AT INTERMEDIATE FRAMES

NOTE: USE 1/2" x 2" A325 BOLTS H0603/ NUTS H0300

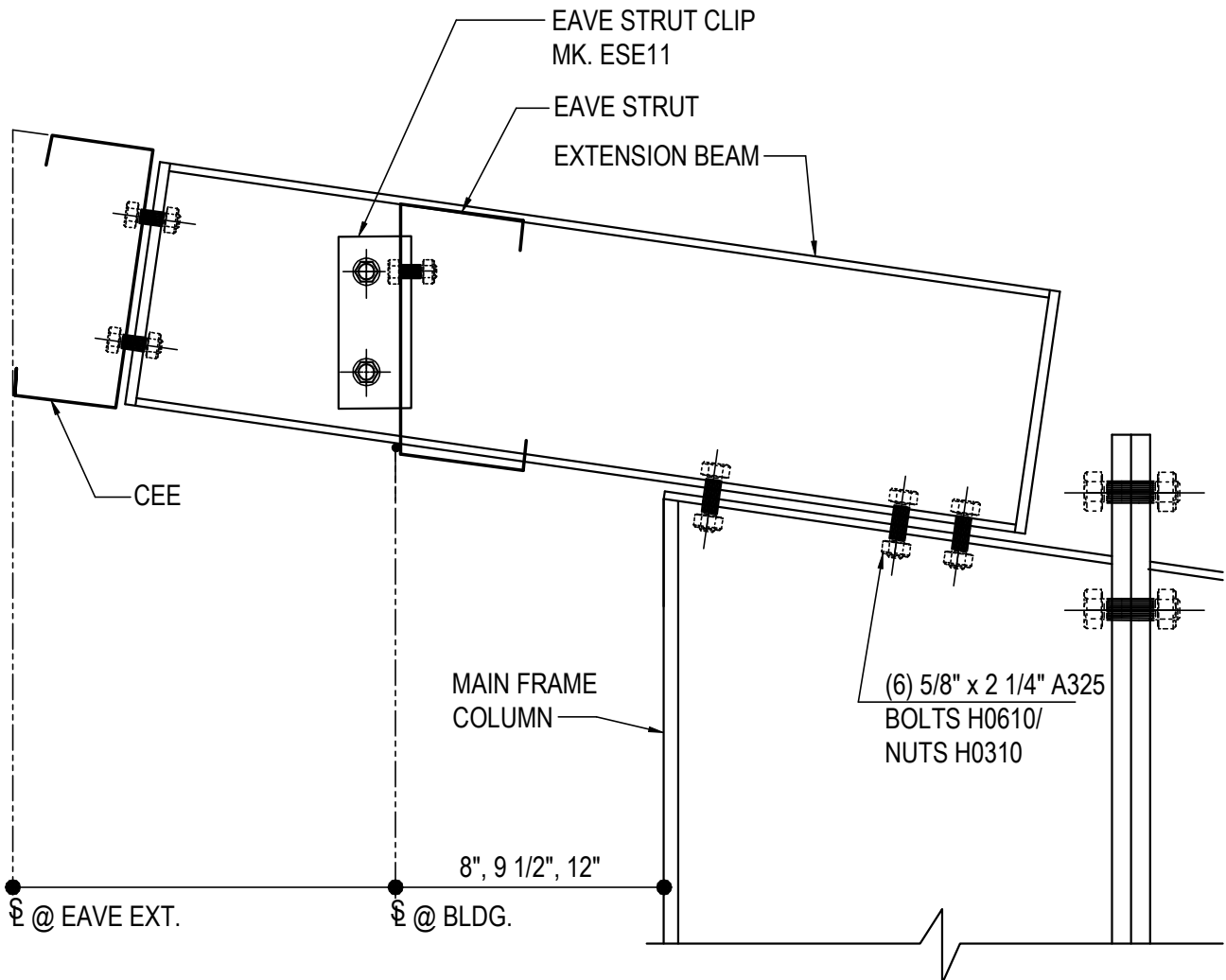
AN0090

Detailer Notes:

- 1) N/A

AN0100 - HIGH EAVE EXTENSION DETAIL

[Download the DWG file by clicking here.](#)



HIGH EAVE EXTENSION DETAIL

GIRT AT INTERMEDIATE FRAMES W/ GUSSET (BYPASS CONDITION) FOR HAUNCH DEPTHS > 1'-3"

NOTE: USE 1/2" x 2" A325 BOLTS H0603/NUTS H0300

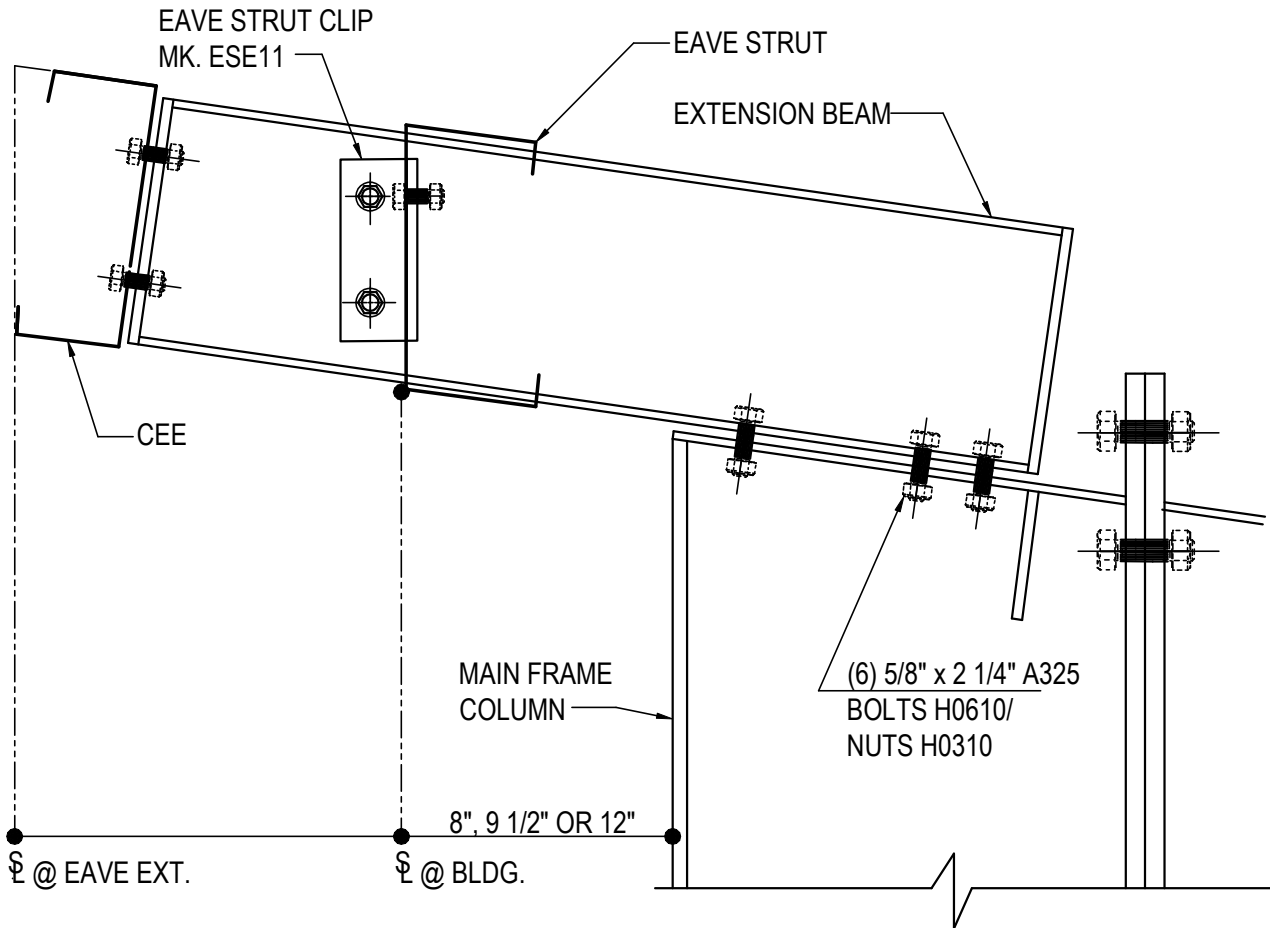
AN0100

Detailer Notes:

- 1) N/A

AN0110 - HIGH EAVE EXTENSION DETAIL

[Download the DWG file by clicking here.](#)



HIGH EAVE EXTENSION DETAIL

GIRT AT INTERMEDIATE FRAMES W/ GUSSET (BYPASS CONDITION) FOR HAUNCH DEPTHS \leq 1'-3"

NOTE: USE 1/2" x 2" A325 BOLTS H0603/ NUTS H0300

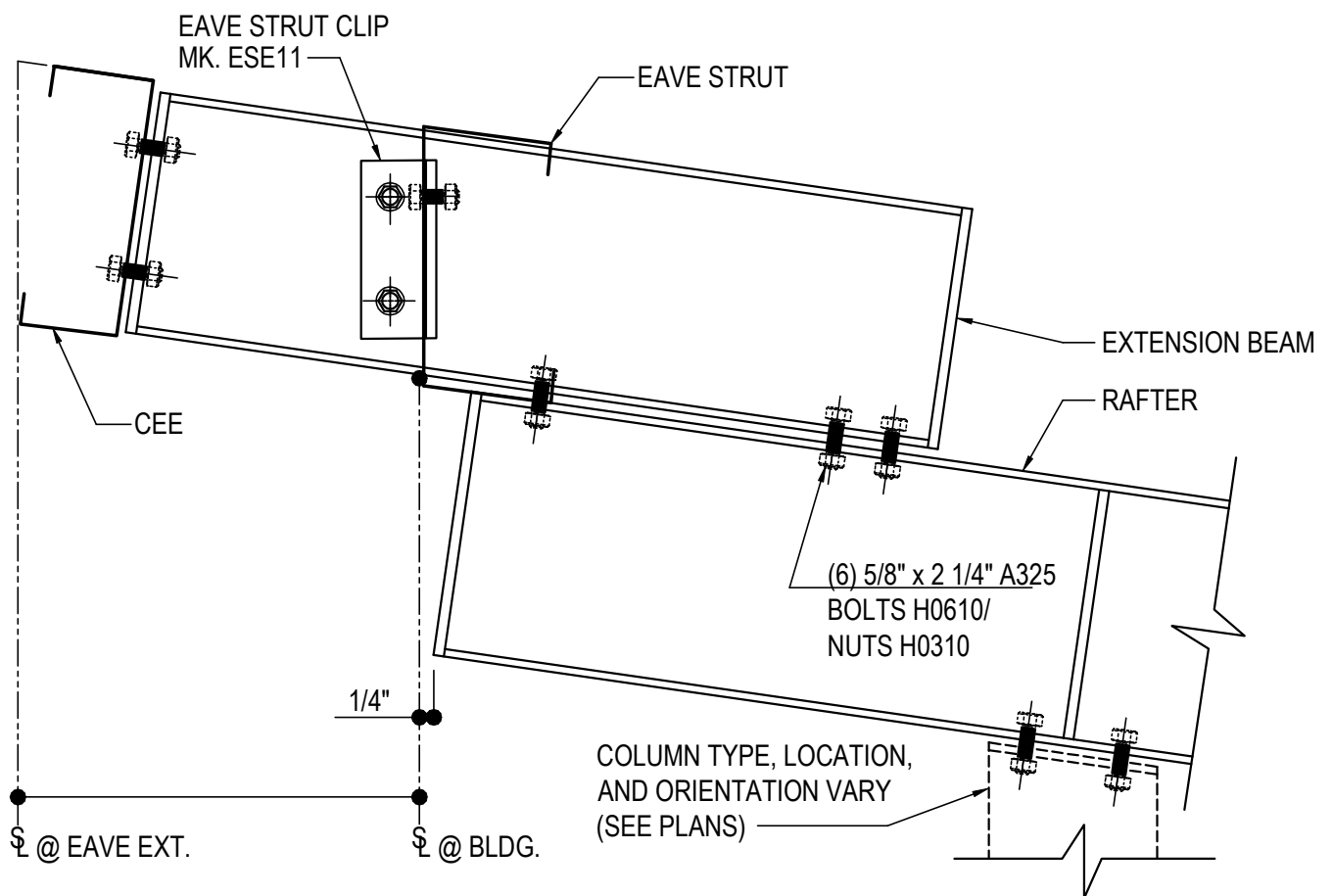
AN0110

Detailer Notes:

- 1) N/A

AN0120 - HIGH EAVE EXTENSION DETAIL

[Download the DWG file by clicking here.](#)



HIGH EAVE EXTENSION DETAIL

POST AND BEAM ENDWALL

NOTE: USE 1/2" x 2" A325 BOLTS H0603/ NUTS H0300

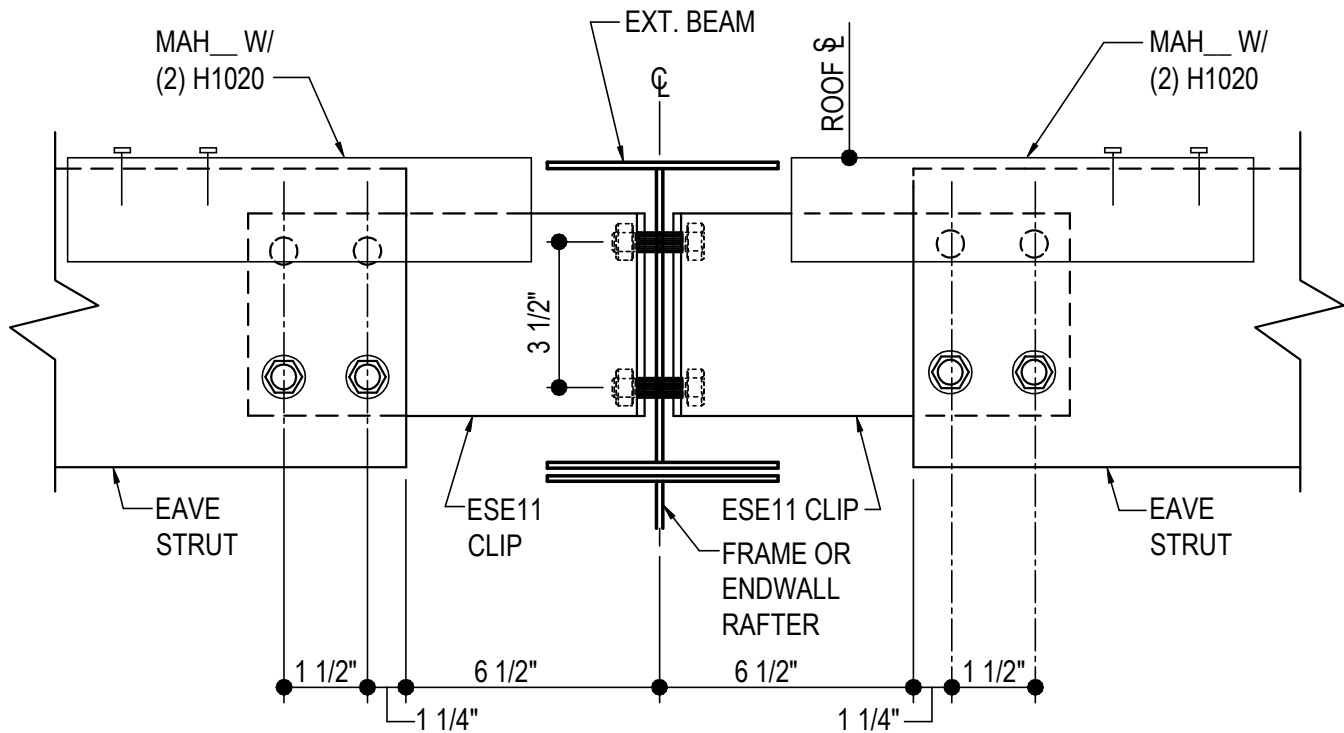
AN0120

Detailer Notes:

- 1) N/A

AN0270 - EAVE STRUT AT EAVE EXTENSION DETAIL

[Download the DWG file by clicking here.](#)



EAVE STRUT AT EAVE EXTENSION DETAIL

NOTE: USE (6) 1/2" x 2" A325 BOLTS H0603 / NUTS H0300

AN0270

Detailer Notes:

- 1) N/A