

# Product Manual - Architectural III - Base

---

BA01/AA, Base Angle Detail

BA01/AB, Base Angle Detail

BA02/AB, Section at Base Angle

BA03A/AB, Section at Base Girt (Wall Panel Flush to Floor)

BA03/AB, Section at Base Girt

BA04A/AB, Section at Base Channel (Wall Panel Flush to Floor)

BA04/AB, Section at Base Channel

BA05A/AB, Section at Base w/ GA-2 (Wall Panel Flush to Floor)

BA05/AB, Section at Base w/ GA-2

WBA04A/AB, Section at Base Channel (Wall Panel Flush to Floor)

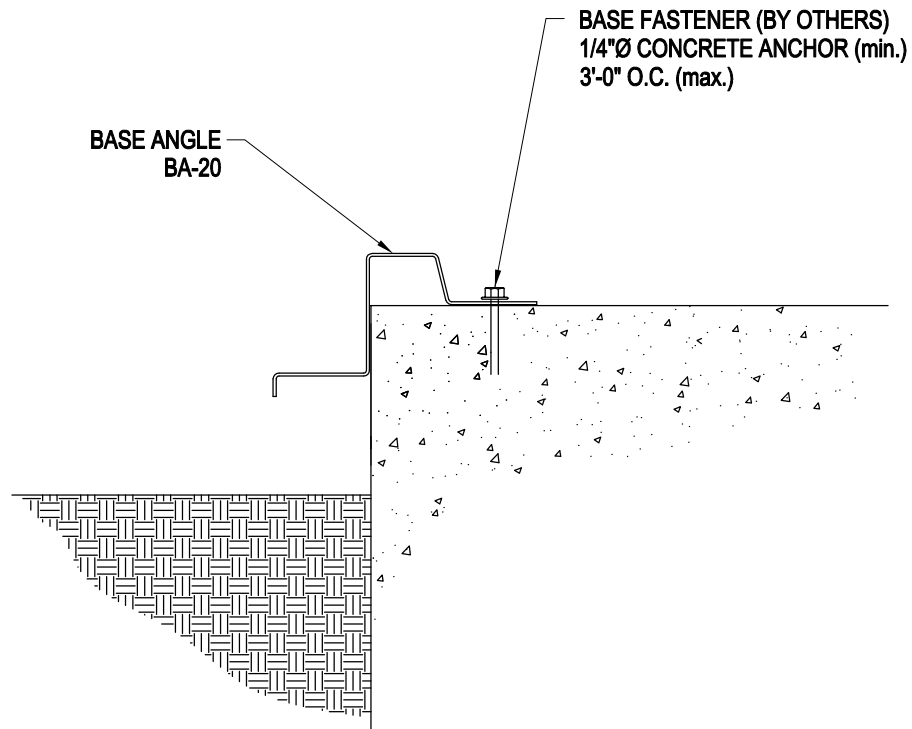
WBA04/AB, Section at Base Channel

WBA05A/AB, Section at Base w/ GA-2 (Wall Panel Flush to Floor)

WBA05/AB, Section at Base w/ GA-2

Base Angle Detail

BA01/AA



**BASE ANGLE DETAIL**

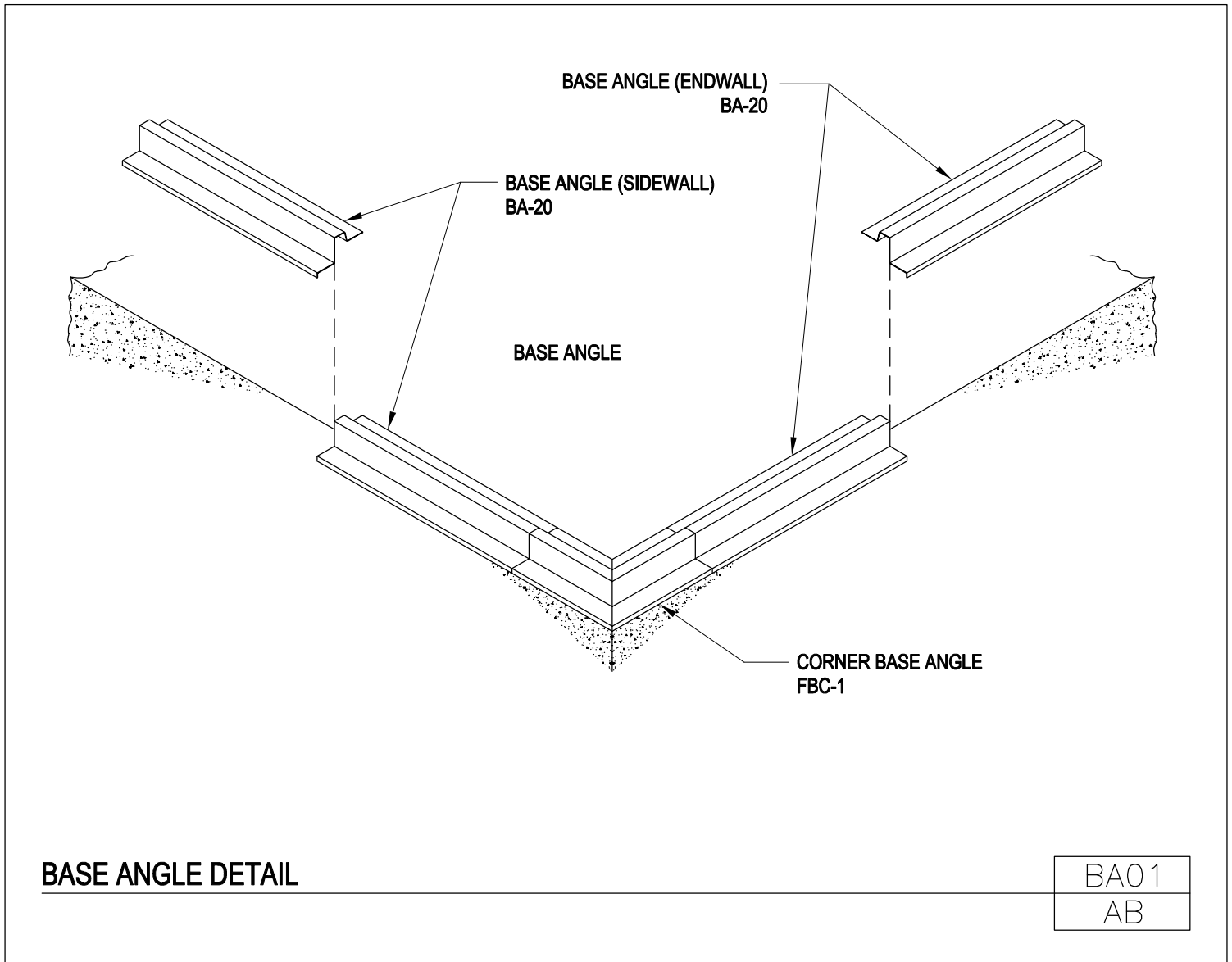
<b>BA01</b>
<b>AA</b>

[Download the DWG file by clicking here.](#)

[To Section Index](#)

## Base Angle Detail

BA01/AB



[Download the DWG file by clicking here.](#)

[To Section Index](#)



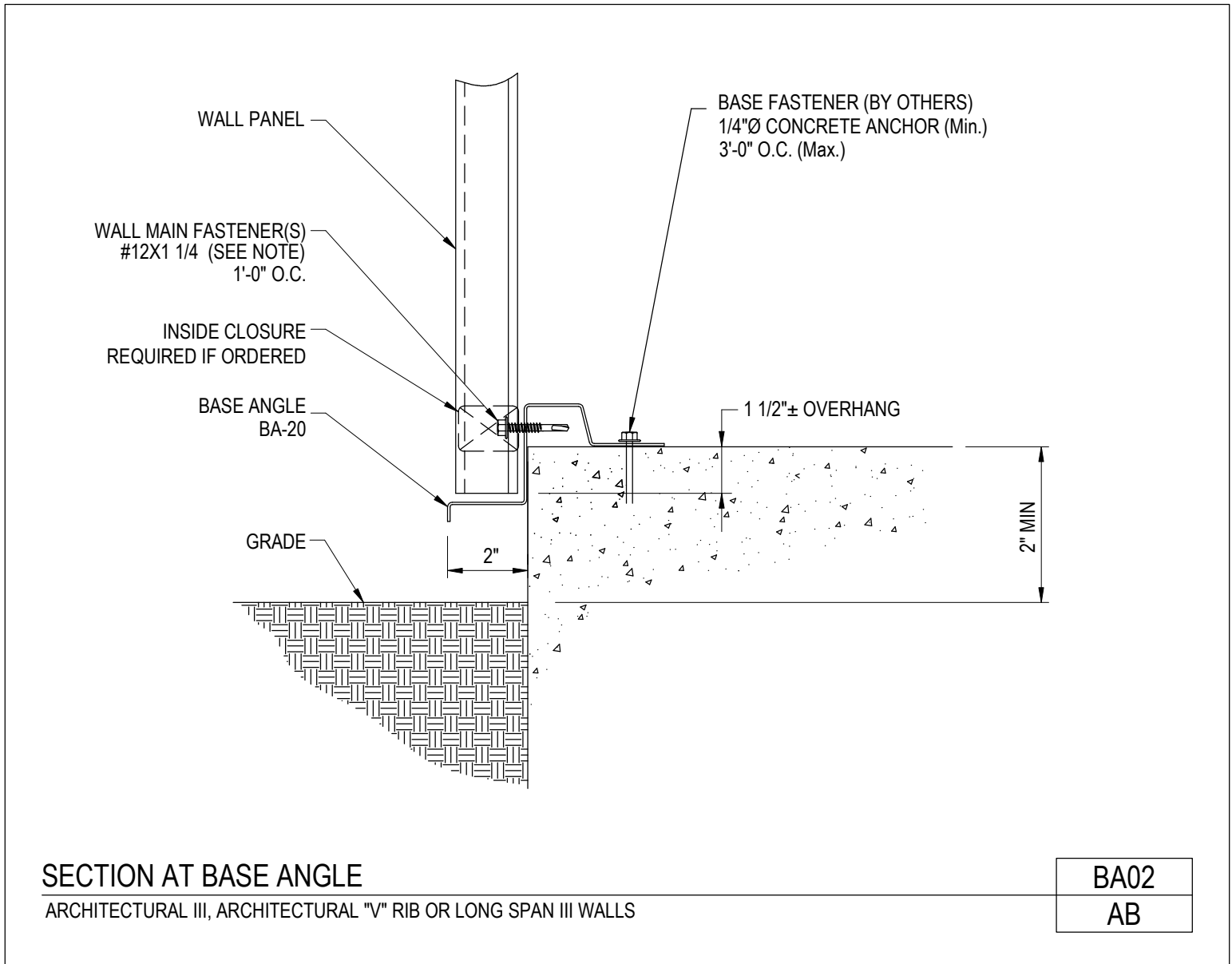
**AMERICAN  
BUILDINGS**

A **NUCOR** COMPANY

# PRODUCT MANUAL

ARCHITECTURAL III PANEL

Section at Base Angle  
Architectural III, Architectural "V" Rib or Long Span III Walls  
BA02/AB

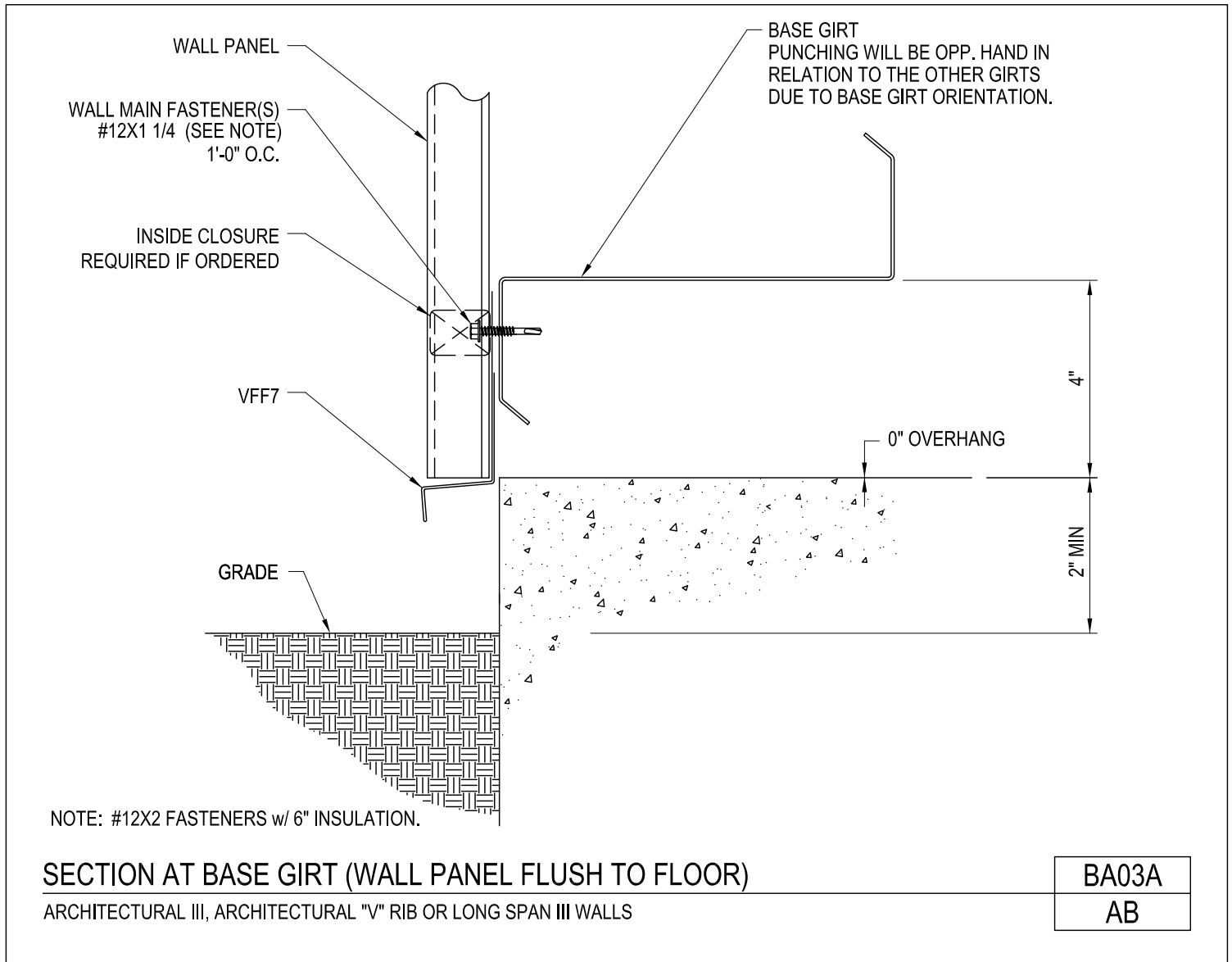


[Download the DWG file by clicking here.](#)

[To Section Index](#)

Revised 10/5/20

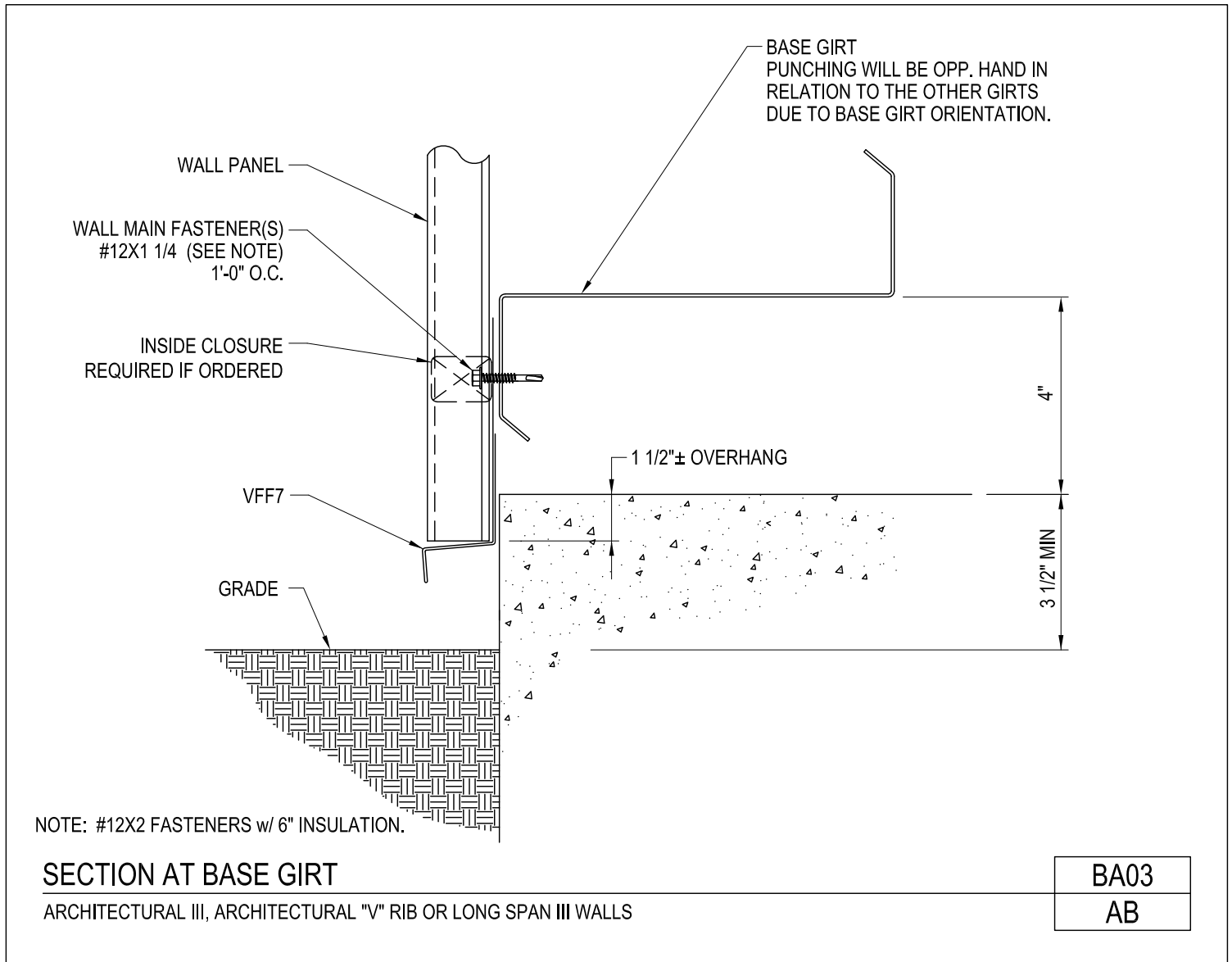
Section at Base Girt (Wall Panel Flush to Floor)  
 Architectural III, Architectural "V" Rib or Long Span III Walls  
 BA03A/AB



[Download the DWG file by clicking here.](#)

[To Section Index](#)

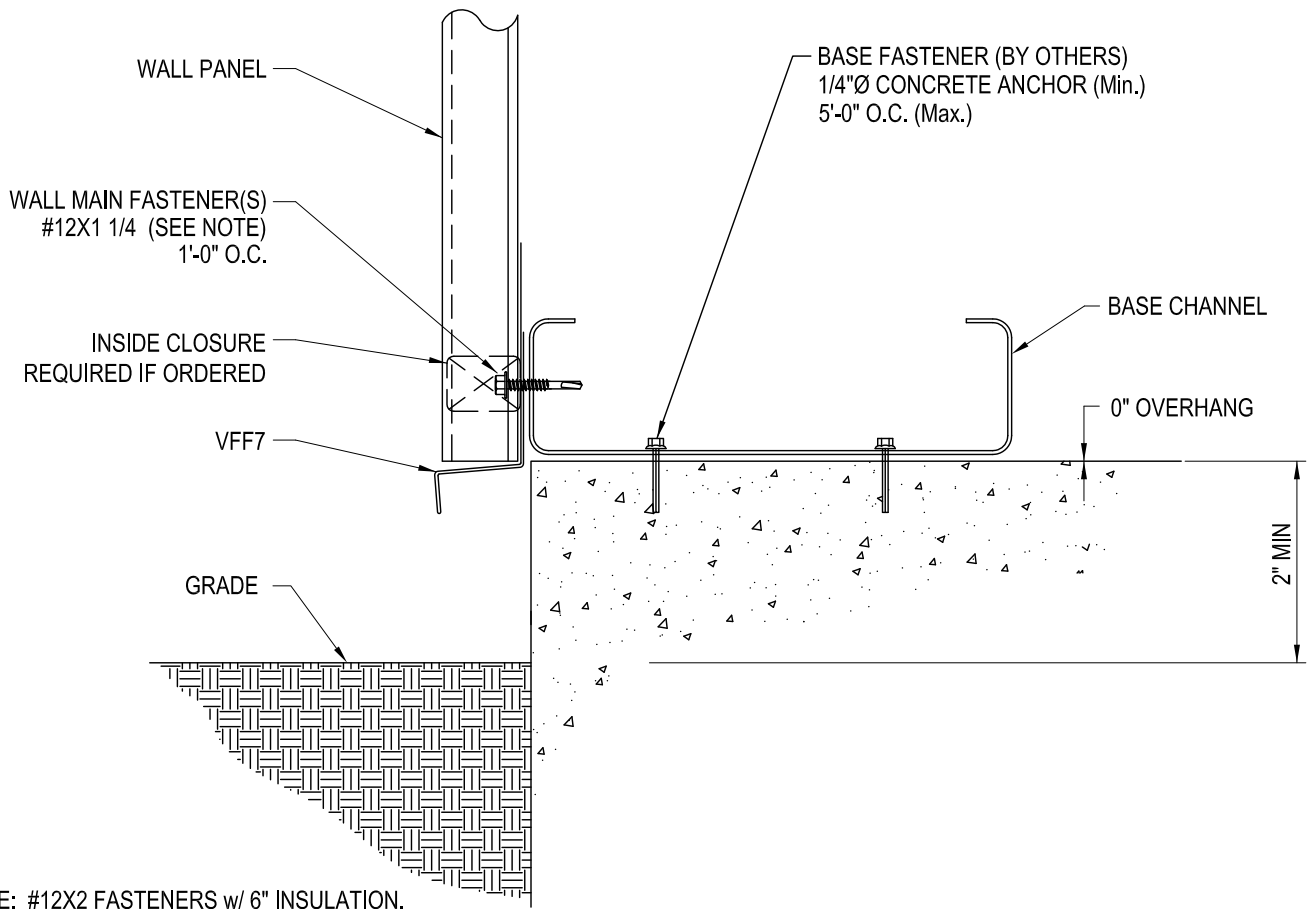
Section at Base Girt  
Architectural III, Architectural "V" Rib or Long Span III Walls  
BA03/AB



[Download the DWG file by clicking here.](#)

[To Section Index](#)

Section at Base Channel (Wall Panel Flush to Floor)  
 Architectural III, Architectural "V" Rib or Long Span III Walls  
 BA04A/AB



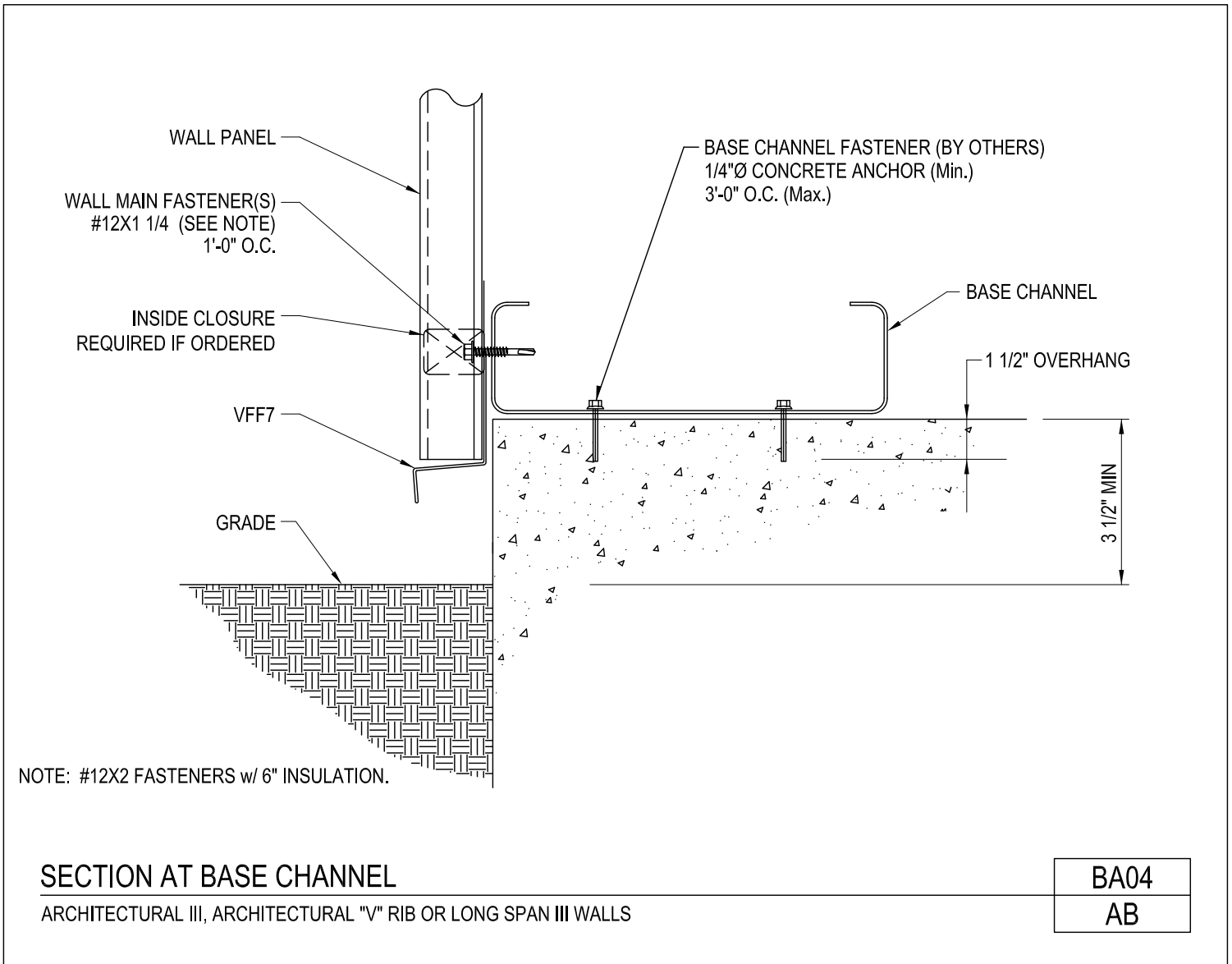
**SECTION AT BASE CHANNEL (WALL PANEL FLUSH TO FLOOR)**  
 ARCHITECTURAL III, ARCHITECTURAL "V" RIB OR LONG SPAN III WALLS

BA04A
AB

[Download the DWG file by clicking here.](#)

[To Section Index](#)

Section at Base Channel  
Architectural III, Architectural "V" Rib or Long Span III Walls  
BA04/AB

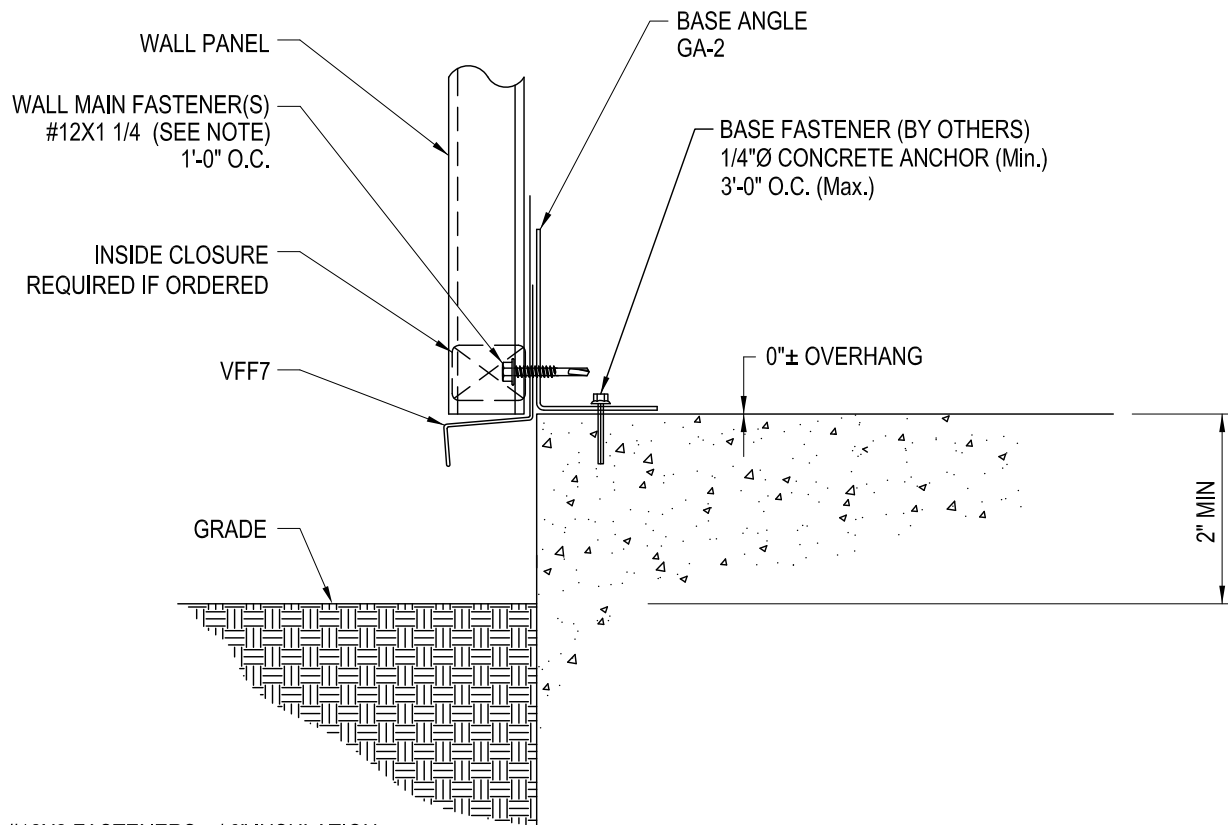


[Download the DWG file by clicking here.](#)

[To Section Index](#)



Section at Base w/ GA-2 (Wall Panel Flush to Floor)  
Architectural III, Architectural "V" Rib or Long Span III Walls  
BA05A/AB



NOTE: #12X2 FASTENERS w/ 6" INSULATION.

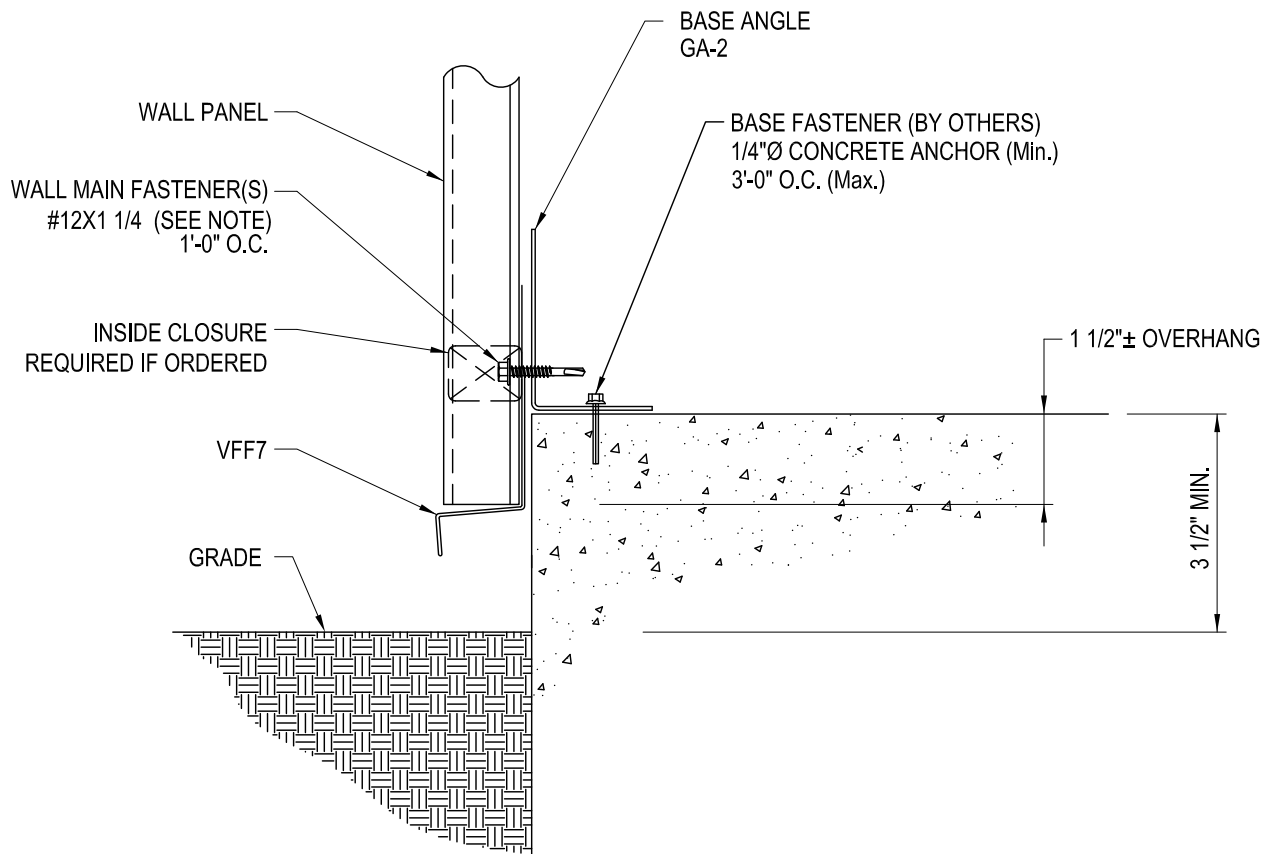
**SECTION AT BASE w/GA-2 (WALL PANEL FLUSH TO FLOOR)**  
ARCHITECTURAL III, ARCHITECTURAL "V" RIB OR LONG SPAN III WALLS

BA05A
AB

[Download the DWG file by clicking here.](#)

[To Section Index](#)

Section at Base w/ GA-2  
Architectural III, Architectural "V" Rib or Long Span III Walls  
BA05/AB



NOTE: #12X2 FASTENERS w/ 6" INSULATION.

**SECTION AT BASE W/ GA-2**

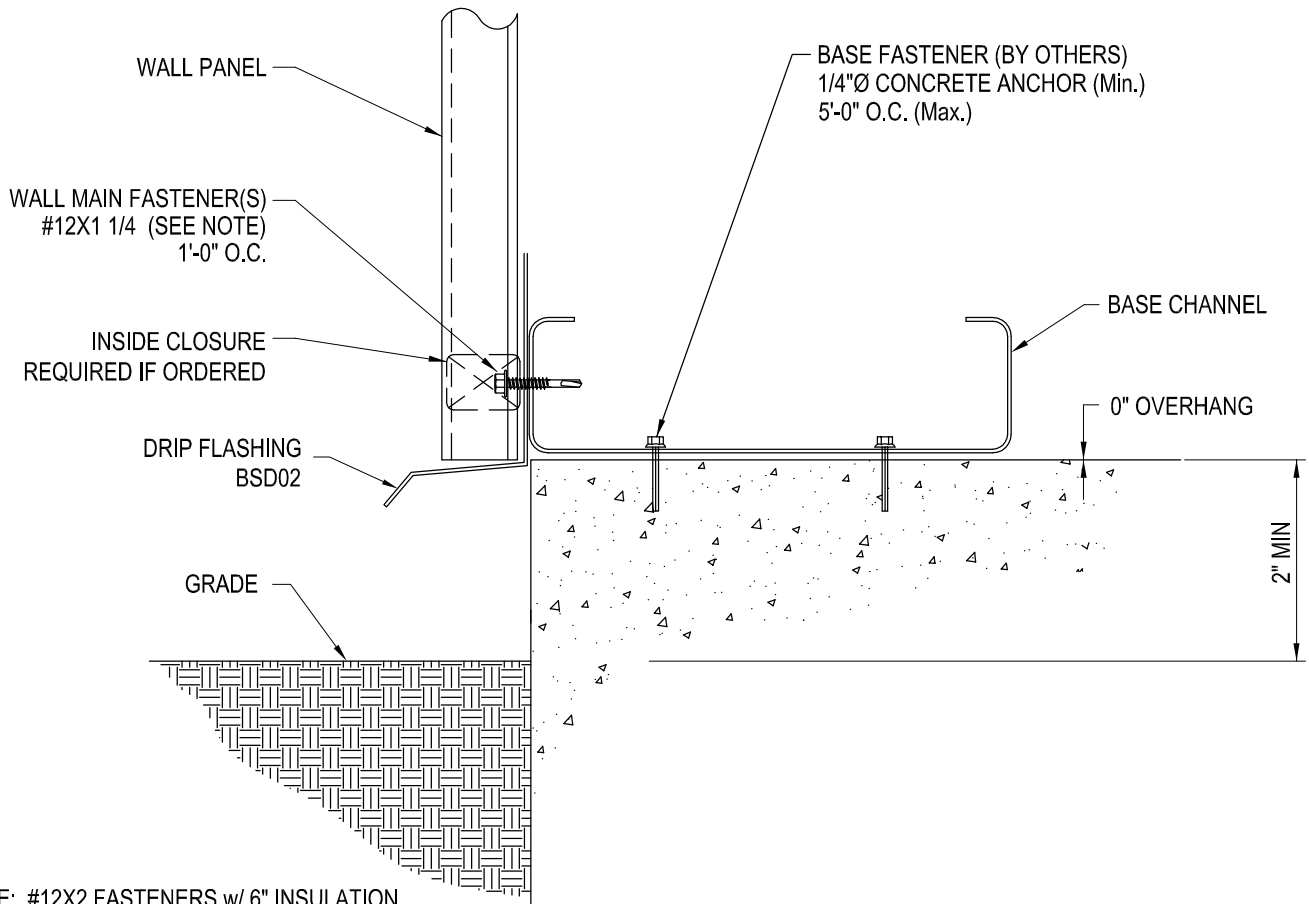
ARCHITECTURAL III, ARCHITECTURAL "V" RIB OR LONG SPAN III WALLS

BA05
AB

[Download the DWG file by clicking here.](#)

[To Section Index](#)

Section at Base Channel (Wall Panel Flush to Floor)  
 Architectural III, Architectural "V" Rib or Long Span III Walls  
 WBA04A/AB



## SECTION AT BASE CHANNEL (WALL PANEL FLUSH TO FLOOR)

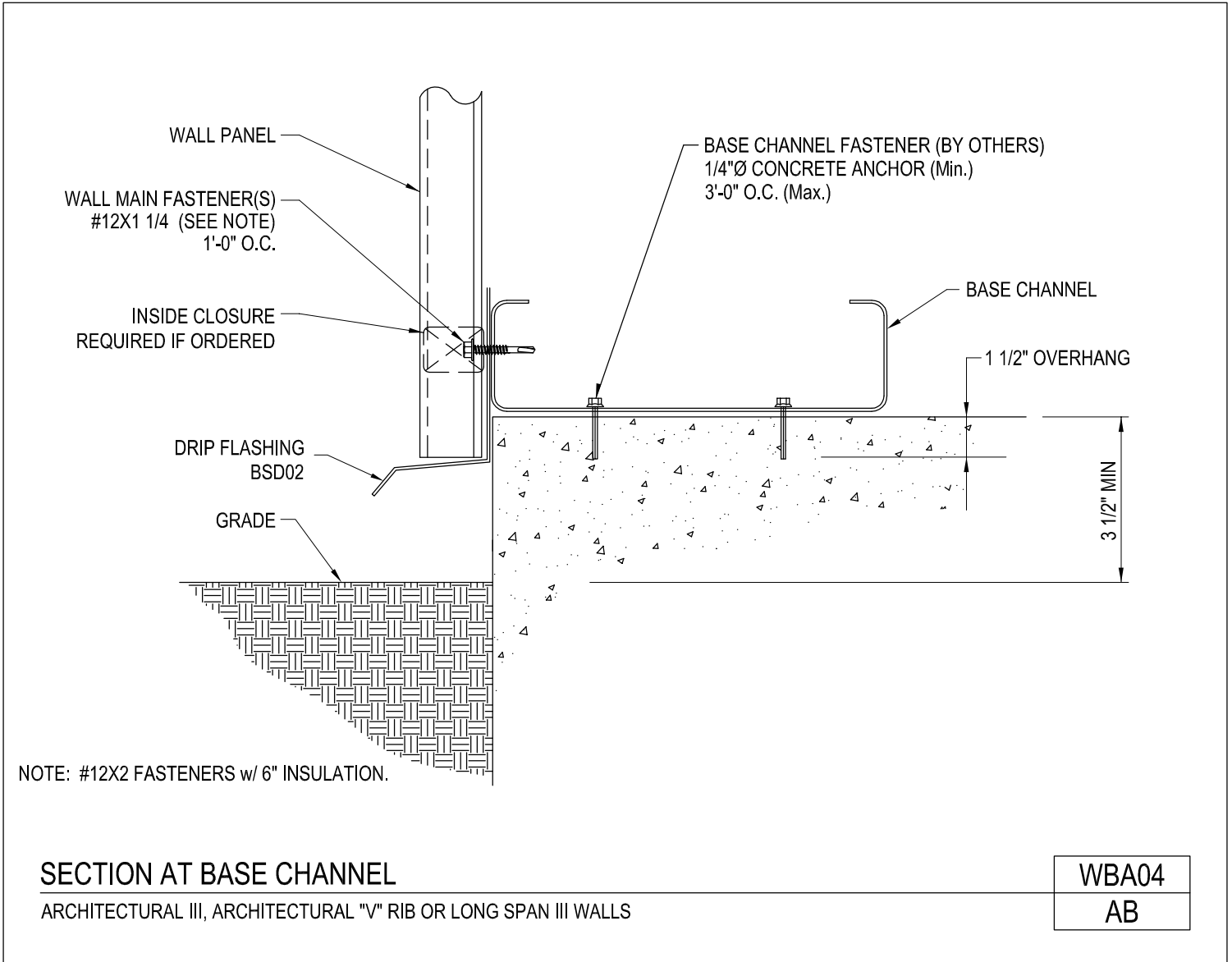
ARCHITECTURAL III, ARCHITECTURAL "V" RIB OR LONG SPAN III WALLS

WBA04A
AB

[Download the DWG file by clicking here.](#)

[To Section Index](#)

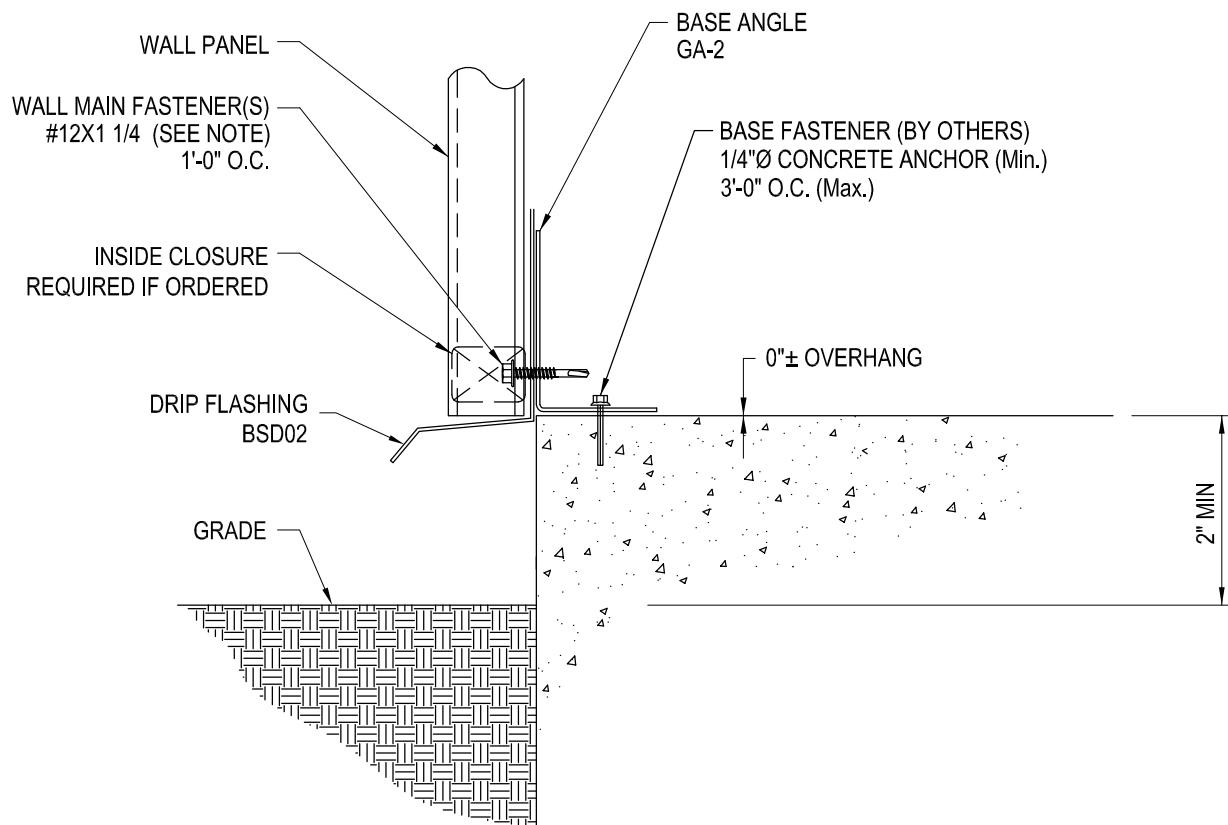
Section at Base Channel  
Architectural III, Architectural "V" Rib or Long Span III Walls  
WBA04/AB



[Download the DWG file by clicking here.](#)

[To Section Index](#)

Section at Base w/ GA-2 (Wall Panel Flush to Floor)  
Architectural III, Architectural "V" Rib or Long Span III Walls  
WBA05A/AB



NOTE: #12X2 FASTENERS w/ 6" INSULATION.

**SECTION AT BASE w/GA-2 (WALL PANEL FLUSH TO FLOOR)**

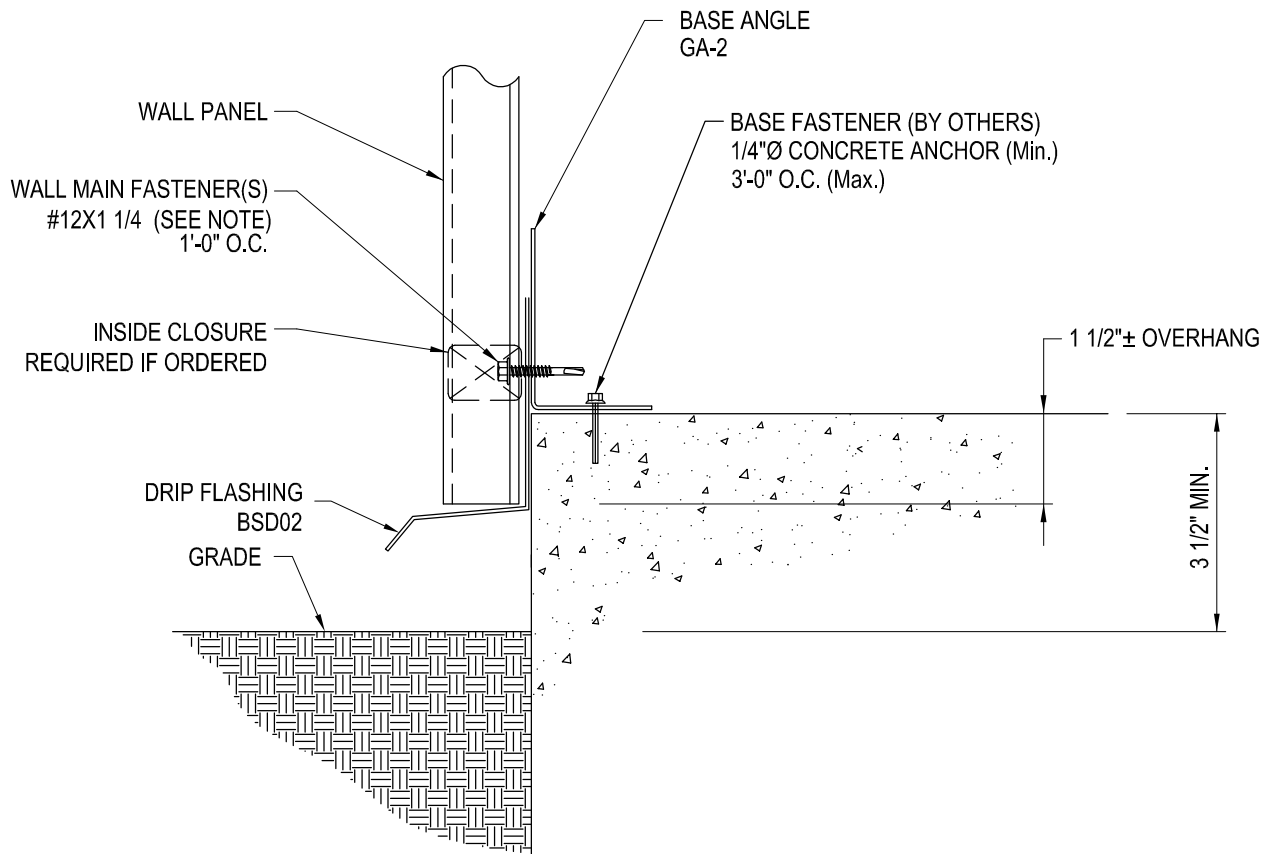
ARCHITECTURAL III, ARCHITECTURAL "V" RIB OR LONG SPAN III WALLS

WBA05A
AB

[Download the DWG file by clicking here.](#)

[To Section Index](#)

Section at Base w/ GA-2  
Architectural III, Architectural "V" Rib or Long Span III Walls  
WBA05/AB



NOTE: #12X2 FASTENERS w/ 6" INSULATION.

## SECTION AT BASE W/ GA-2

ARCHITECTURAL III, ARCHITECTURAL "V" RIB OR LONG SPAN III WALLS

WBA05
AB

[Download the DWG file by clicking here.](#)

[To Section Index](#)