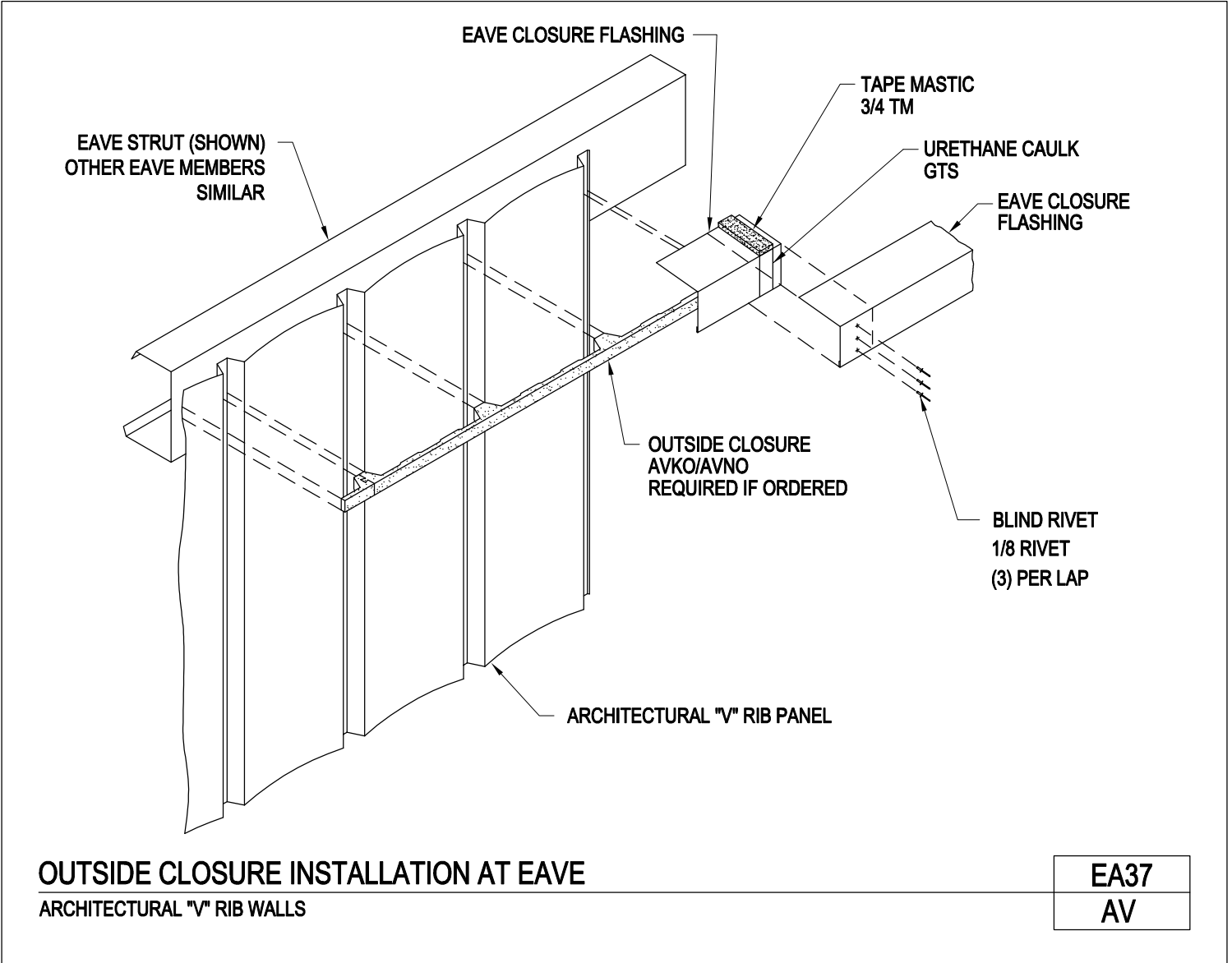


Product Manual - Architectural V Rib - Wall Covering

- EA37/AV - Outside Closure Installation at Eave
- RA01/AB - Panel Closure Detail at Rake
- WC05/AV - Fastener Layout
- WC06/AB - Fastener Layout
- WC08/AV - Pre-Drilling For Fastener Locations
- WC20/AV - Typical Corner Detail at Panels
- WC21A/AV - Corner Trim Detail (Outside)
- WC21B/AV - Corner Trim Detail (Outside) at Open Wall Transition
- WC26A/AV - Corner Trim Detail (Inside)
- WC26B/AV - Corner Trim Detail (Inside) at Open Wall Transition
- WC40/AB - Partially Open Wall Base Trim at Girt With Flush Panel
- WC41/AB - Partially Open Wall Base Trim at Girt, Panel Extends 1 1/2"
- WC51/AC - Panel Storage
- WC61B/AV - Basic Parts and Pieces
- WC63B/AV - Panel Marking and Sidelap Details
- WC64/AB - Wall Panel Installation
- WC75/AB - Panel Backlapping
- WC80/AC - Transverse Expansion Joint Detail at Sidewall
- WC91A/AV - Erection Notes
- WWC21B/AV - Corner Trim Detail (Outside) at Open Wall Transition
- WWC26B/AV - Corner Trim Detail (Inside) at Open Wall Transition
- WWC40/AB - Partially Open Wall Base Trim at Girt With Flush Panel
- WWC41/AB - Partially Open Wall Base Trim at Girt, Panel Extends 1 1/2"

Outside Closure Installation at Eave
Architectural "V" Rib Walls
EA37/AV



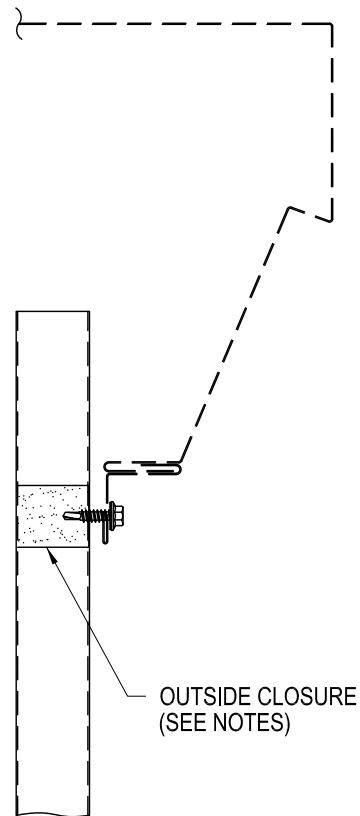
[Download the DWG file by clicking here.](#)

[To Section Index](#)

Panel Closure Detail at Rake
Architectural III, Architectural "V" Rib or Long Span III Walls
RA01/AB

NOTES:

1. OUTSIDE CLOSURE, AOLI/AVKO/AVNO/LOAI
REQUIRED IF ORDERED FOR BUILDING SLOPES
1 1/2 : 12 OR LESS
2. BEVEL CLOSURE
REQUIRED IF ORDERED FOR BUILDING SLOPES
GREATER THAN 1 1/2 : 12



PANEL CLOSURE DETAIL AT RAKE

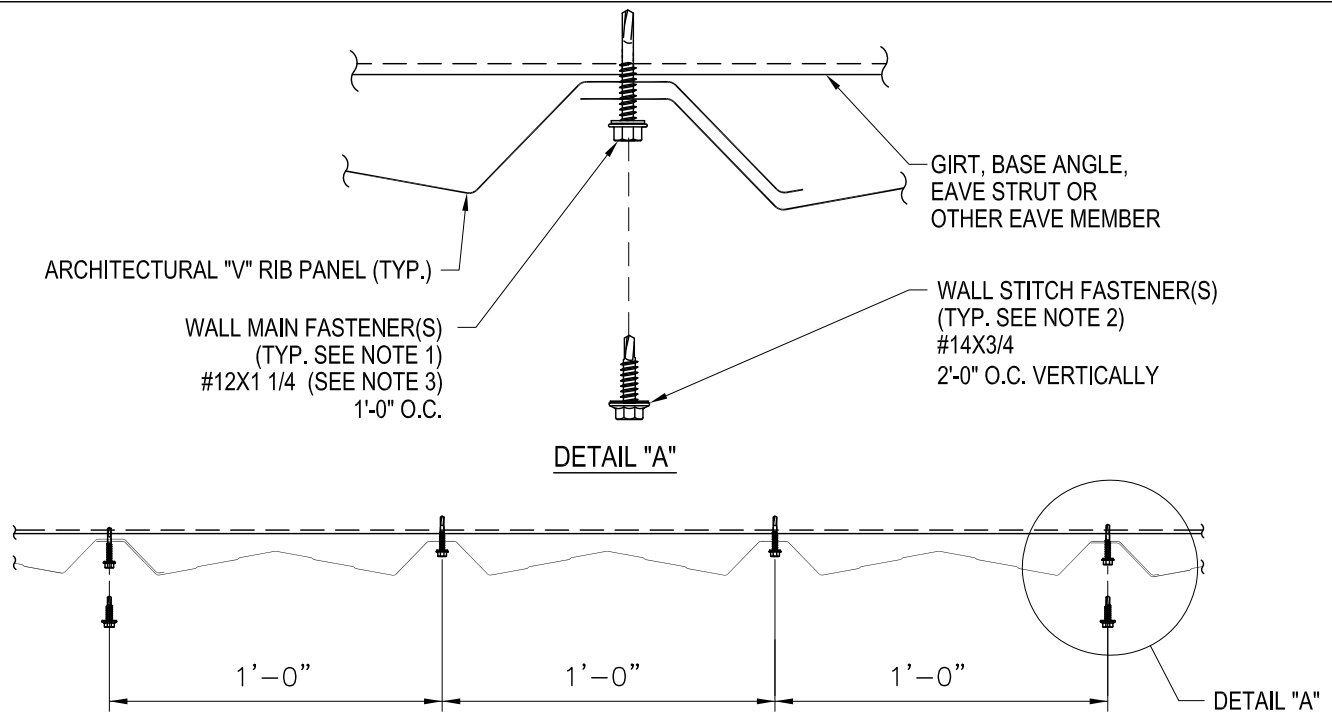
ARCHITECTURAL III, ARCHITECTURAL "V" RIB OR LONG SPAN III WALLS

| |
|------|
| RA01 |
| AB |

[Download the DWG file by clicking here.](#)

[To Section Index](#)

Fastener Layout
Architectural "V" Rib Walls
WC05/AV



NOTE:

1. WALL MAIN FASTENER(S) REQUIRED AT SIDEWALL AND ENDWALL GIRTS, BASE ANGLE, EAVE STRUT AND GABLE ANGLE. FASTENER LAYOUT SHOWN ALSO APPLIES FOR LINER AND PARTITION PANELS.
2. WALL STITCH FASTENER(S) AS SHOWN REQ'D. ONLY AT PANEL SIDELAPS OR AT FLASHING LAPS AND FLASHING TO PANEL CONNECTIONS.
3. #12X2 FASTENERS w/ 6" INSULATION.

FASTENER LAYOUT

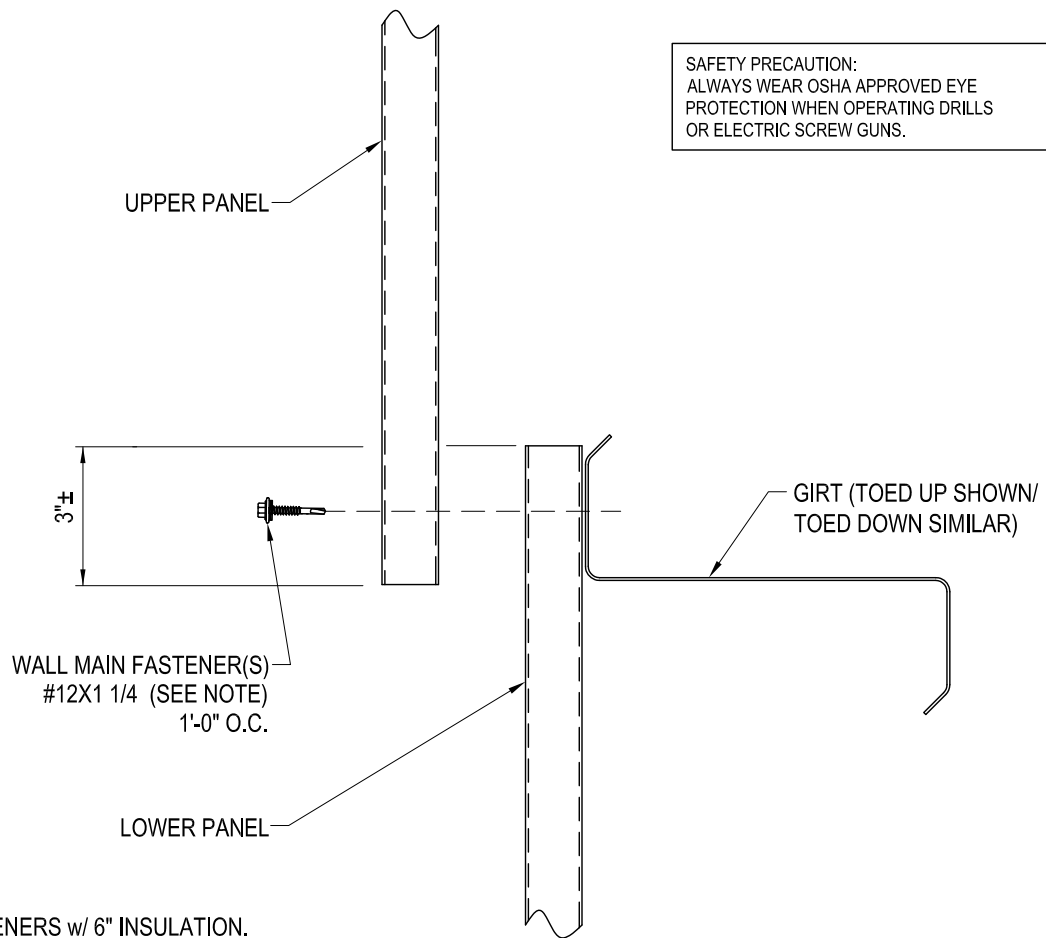
ARCHITECTURAL "V" RIB WALLS

| |
|------|
| WC05 |
| AV |

[Download the DWG file by clicking here.](#)

[To Section Index](#)

Wall Panel Endlap
 Architectural III, Architectural "V" Rib or Long Span III Walls
 WC06/AB



WALL PANEL ENDLAP

ARCHITECTURAL III, ARCHITECTURAL "V" RIB OR LONG SPAN III WALLS

| |
|------|
| WC06 |
| AB |

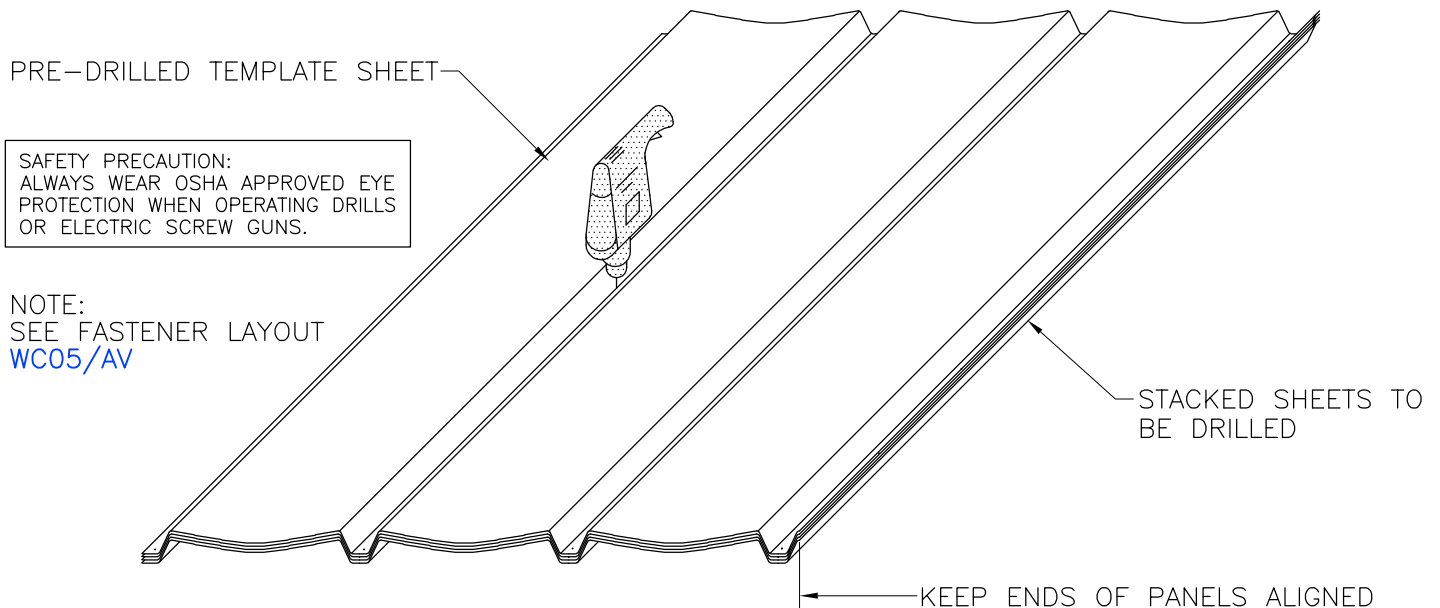
[Download the DWG file by clicking here.](#)

[To Section Index](#)

Pre-Drilling For Fastener Locations
Architectural "V" Rib Wall Panels
WC08/AV

GOOD ALIGNMENT OF THE FASTENERS WILL GIVE A PROFESSIONAL APPEARANCE OF SHEET INSTALLATION. THIS CAN BE ACCOMPLISHED BY PRE-DRILLING HOLES IN THE SHEETS AT IDENTICAL LOCATIONS. UP TO 15 SHEETS CAN BE STACKED TOGETHER AND DRILLED USING A TEMPLATE SHEET. USE 1/8" OR 5/32" DIAMETER DRILL BIT FOR SHEET TO STRUCTURAL FASTENERS. AND A 1/4" DIAMETER BIT FOR THE SIDELAP CLEARANCE HOLES. CLEAN METAL FILINGS OFF PANEL SURFACES AFTER DRILLING TO AVOID RUST STAINS.

THE TEMPLATE SHEET SHOULD BE LAID OUT IN ACCORDANCE WITH THE BUILDING ERECTION DRAWINGS. SINCE PRE-DRILLING WILL "HAND" THE SHEETS IT IS NECESSARY TO SELECT THE END OF THE BUILDING FROM WHICH THE SHEETING IS TO BEGIN. PRIOR TO DRILLING THE TEMPLATE SHEET IT SHOULD BE CHECKED FOR PROPER HOLE LOCATIONS AGAINST THE BUILDING FRAMEWORK. BE SURE THERE IS NO SAG IN THE PURLINS OR GIRTS.



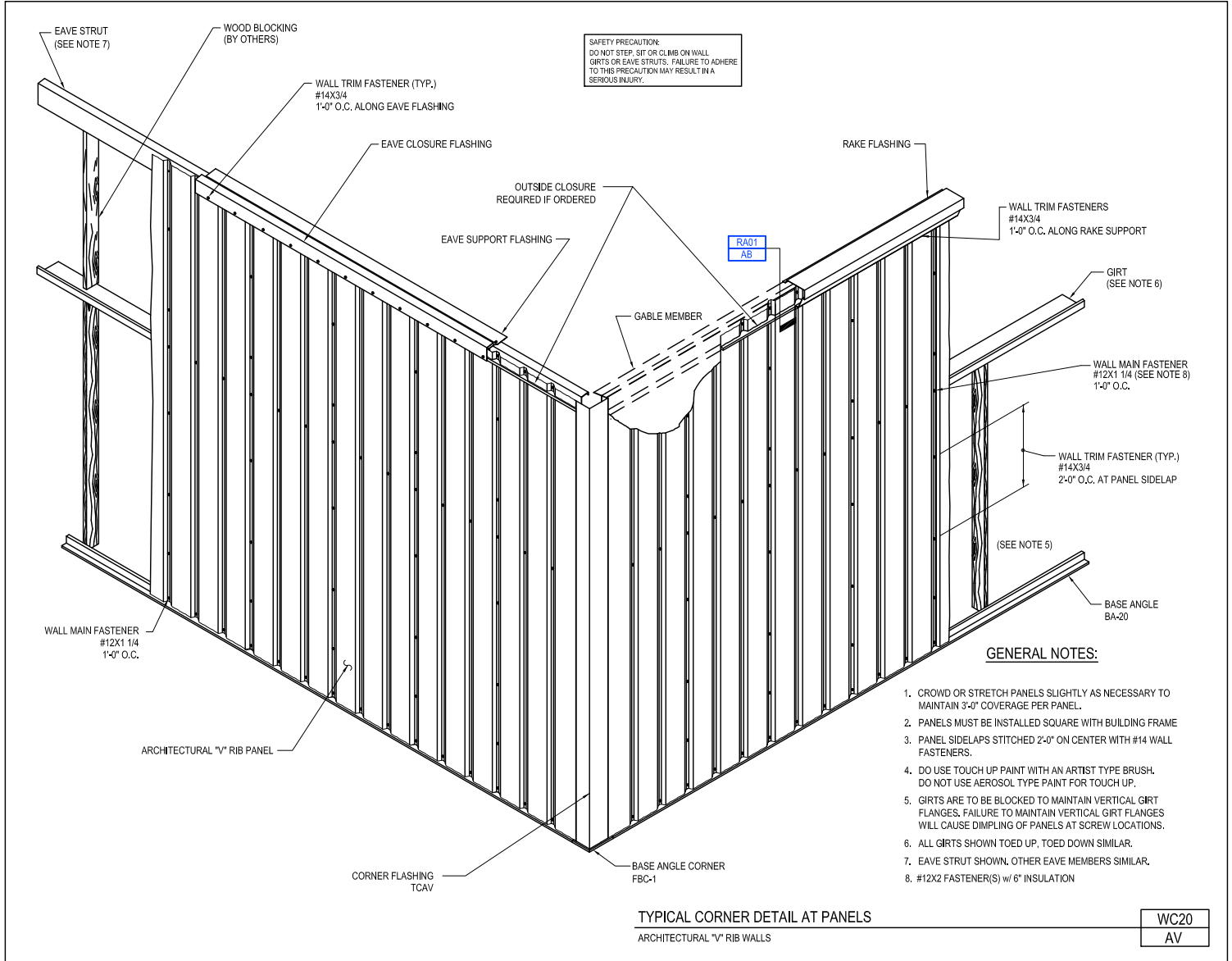
PRE-DRILLING FOR FASTENER LOCATIONS
ARCHITECTURAL "V" RIB WALL PANELS

| |
|------|
| WC08 |
| AV |

[Download the DWG file by clicking here.](#)

[To Section Index](#)

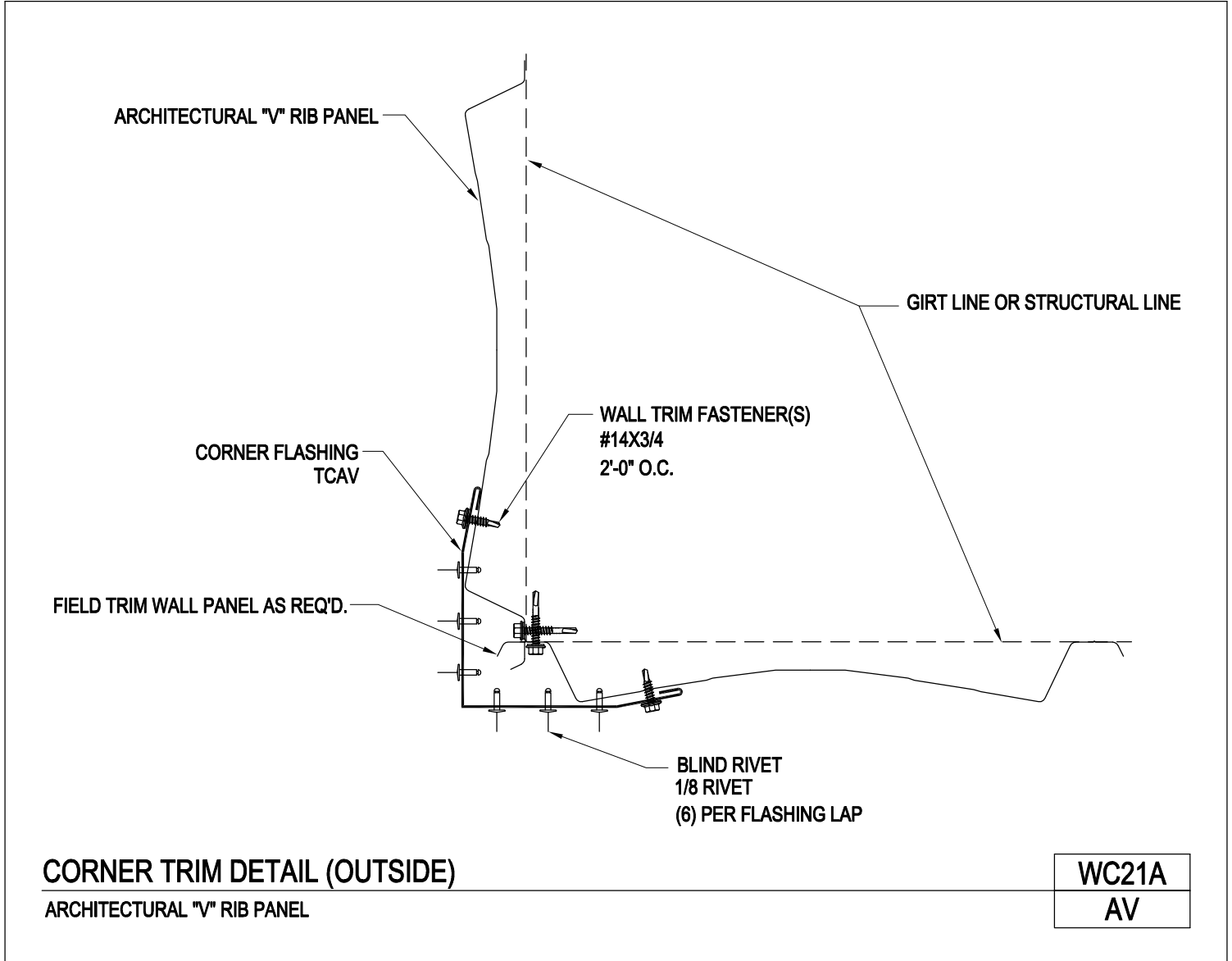
Typical Corner Detail at Panels
Architectural "V" Rib Walls
WC20/AV



[Download the DWG file by clicking here.](#)

[To Section Index](#)

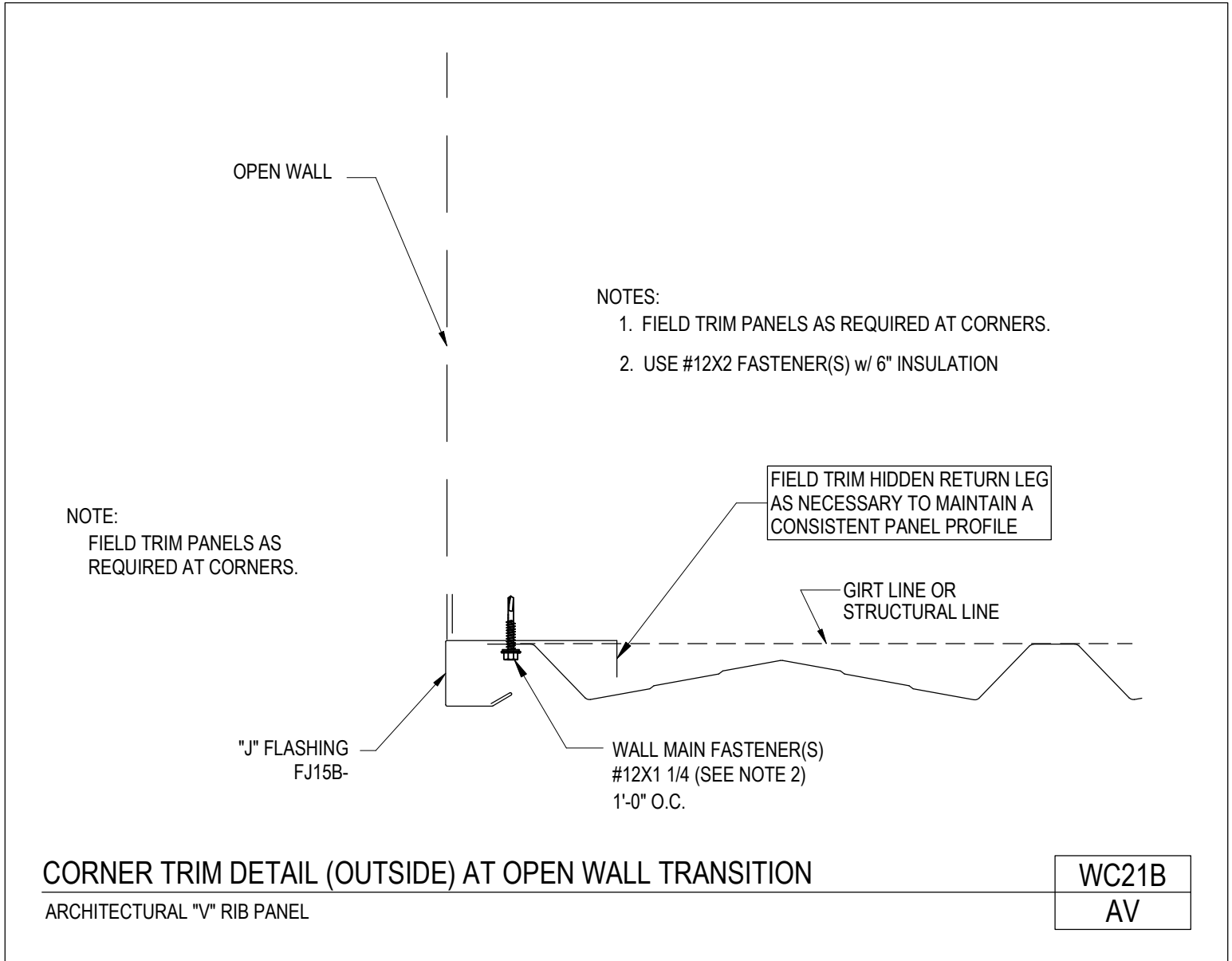
Corner Trim Detail (Outside)
Architectural "V" Rib Panels
WC21A/AV



[Download the DWG file by clicking here.](#)

[To Section Index](#)

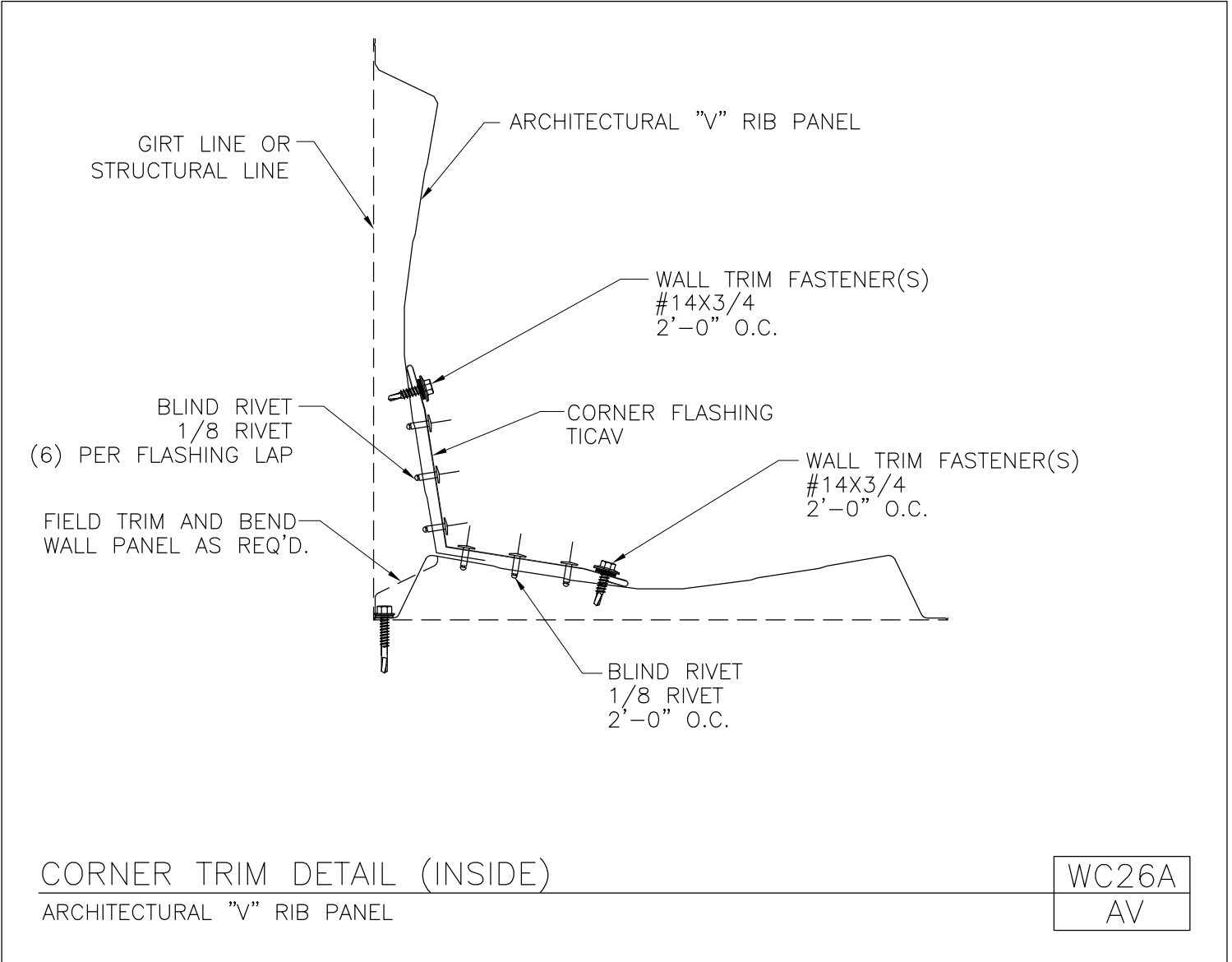
Corner Trim Detail (Outside) at Open Wall Transition
Architectural "V" Rib Panel
WC21B/AV



Download the DWG file by clicking [here](#).

To Section Index

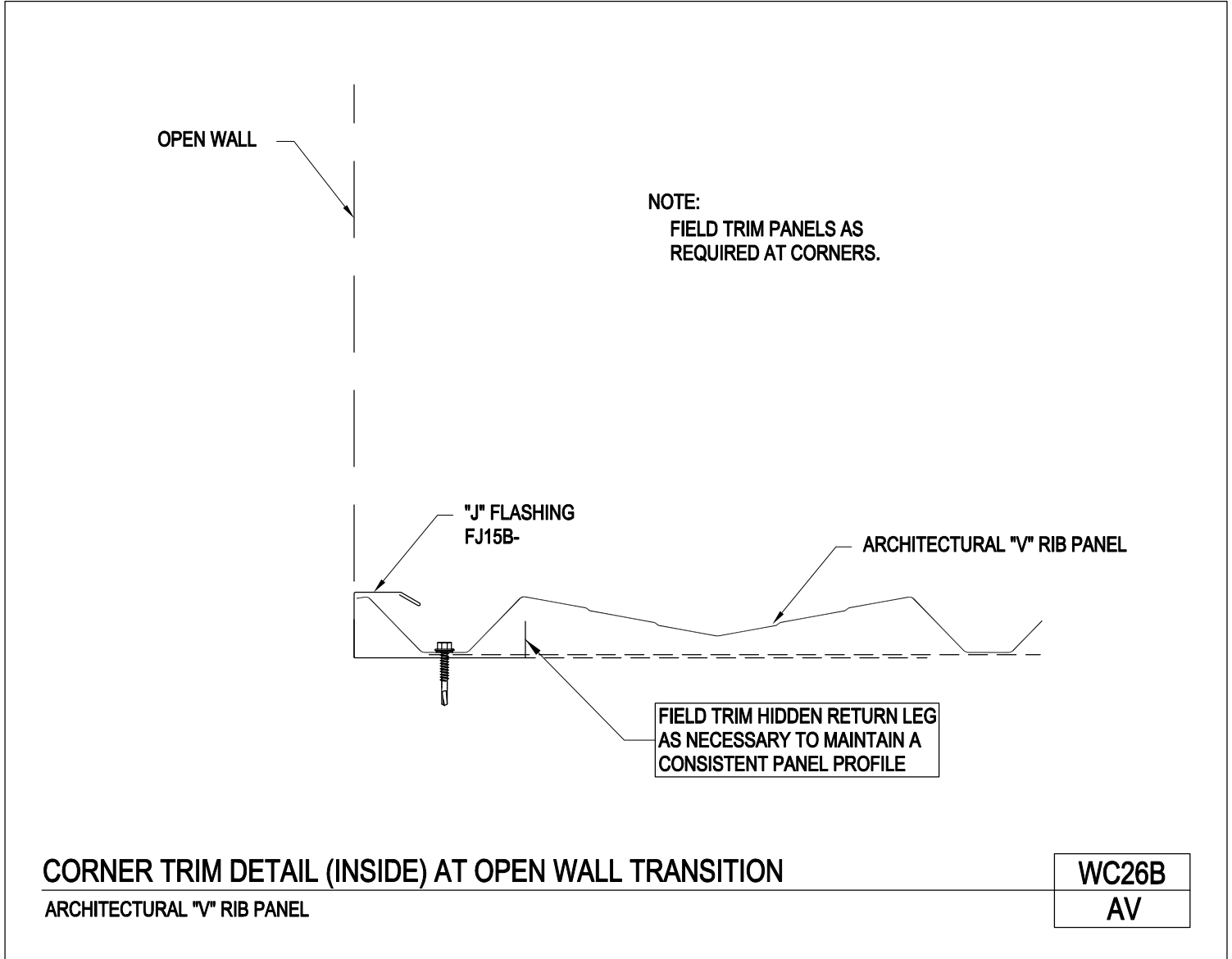
Corner Trim Detail (Inside)
Architectural "V" Rib Panel
WC26A/AV



[Download the DWG file by clicking here.](#)

[To Section Index](#)

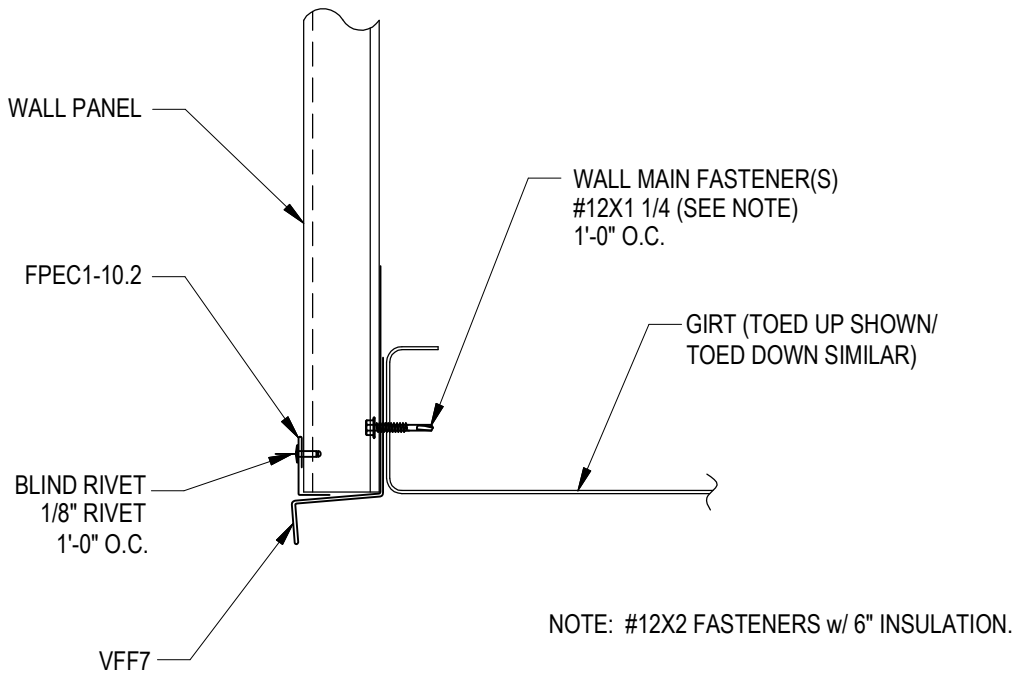
Corner Trim Detail (Inside) at Open Wall Transition
Architectural "V" Rib Panel
WC26B/AV



[Download the DWG file by clicking here.](#)

[To Section Index](#)

Partially Open Wall Base Trim at Girt With Flush Panel
Architectural III, Architectural "V" Rib or Long Span III Walls
WC40/AB



PARTIALLY OPEN WALL BASE TRIM AT GIRT WITH FLUSH PANEL
ARCHITECTURAL III, ARCHITECTURAL "V" RIB OR LONG SPAN III WALLS

| |
|------|
| WC40 |
| AB |

[Download the DWG file by clicking here.](#)

[To Section Index](#)



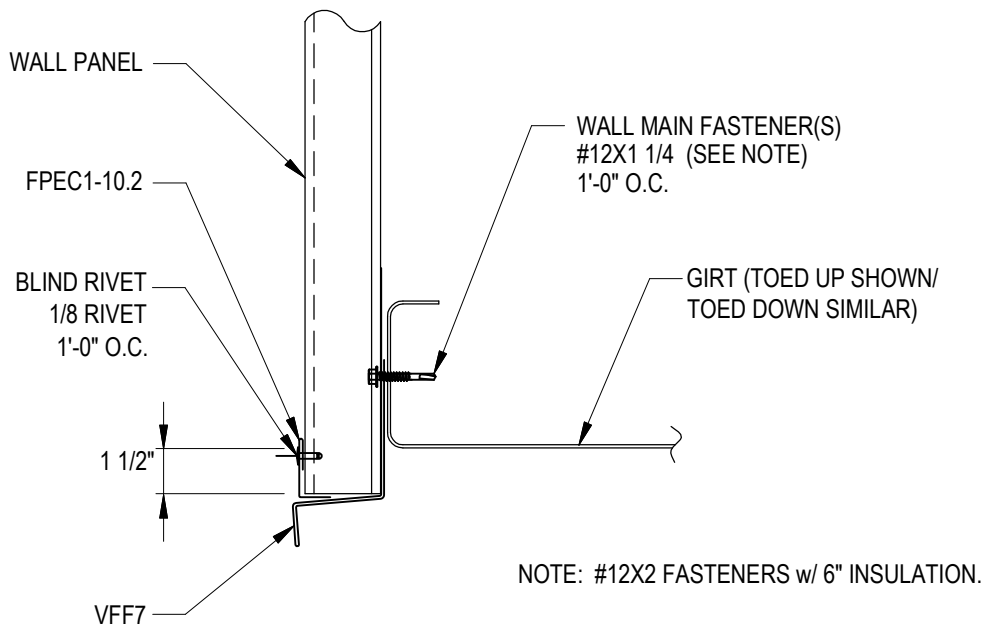
**AMERICAN
BUILDINGS**

A **NUCOR** COMPANY

PRODUCT MANUAL

ARCHITECTURAL "V" RIB PANEL

Partially Open Wall Base Trim at Girt, Panel Extends 1 1/2"
Architectural III, Architectural "V" Rib or Long Span III Walls
WC41/AB



PARTIALLY OPEN WALL BASE TRIM AT GIRT, PANEL EXTENDS 1 1/2"

ARCHITECTURAL III, ARCHITECTURAL "V" RIB OR LONG SPAN III WALLS

| |
|------|
| WC41 |
| AB |

[Download the DWG file by clicking here.](#)

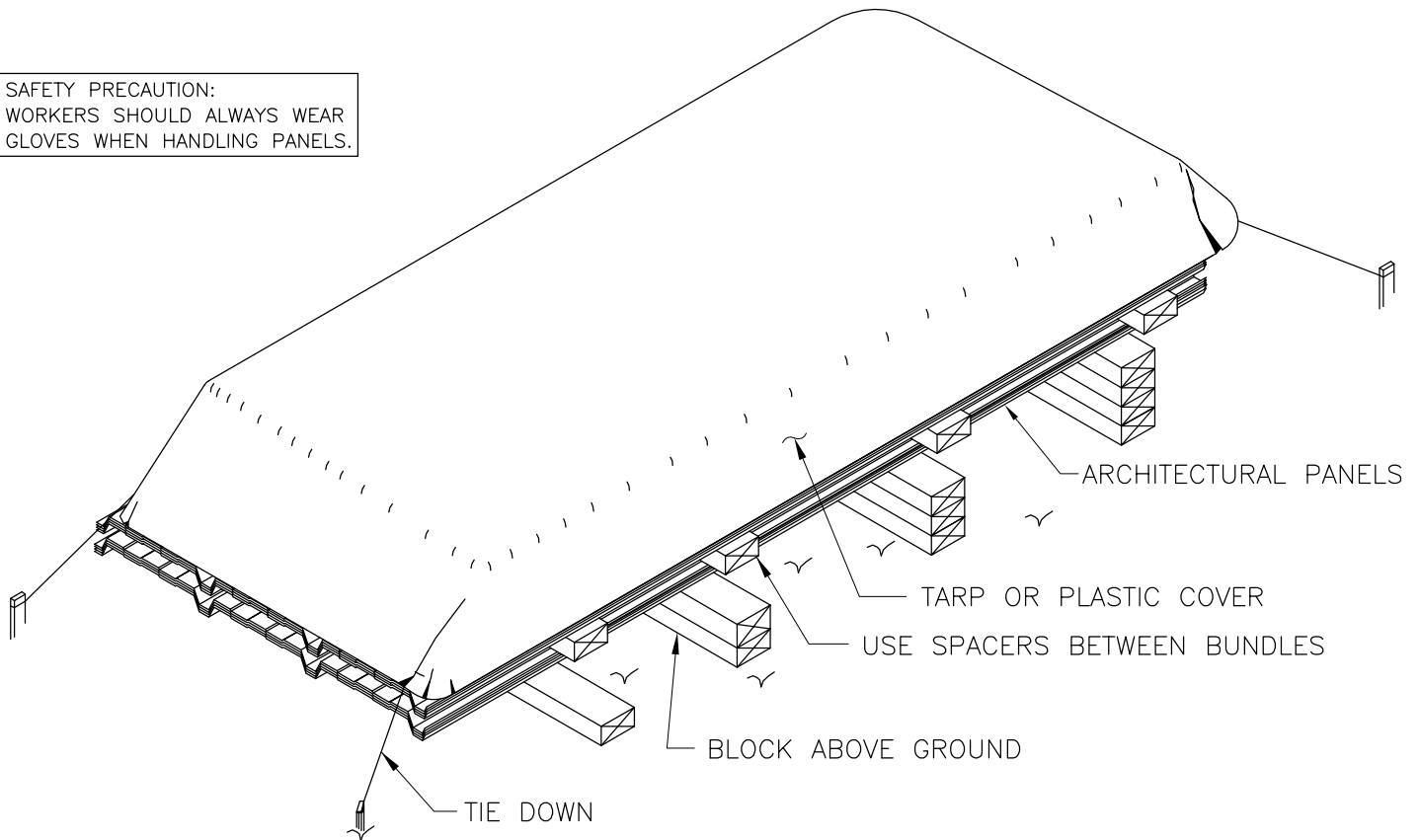
[To Section Index](#)

Panel Storage

WC51/AC

USE WOOD BLOCKING TO ELEVATE AND SLOPE THE PANELS IN A MANNER THAT WILL ALLOW MOISTURE TO DRAIN. WOOD BLOCKING PLACED BETWEEN PANEL BUNDLES WILL PROVIDE ADDITIONAL AIR CIRCULATION. COVER THE STACKED BUNDLES WITH A TARP OR PLASTIC COVER LEAVING ENOUGH OPENING AT THE BOTTOM FOR AIR TO CIRCULATE.

SAFETY PRECAUTION:
WORKERS SHOULD ALWAYS WEAR
GLOVES WHEN HANDLING PANELS.



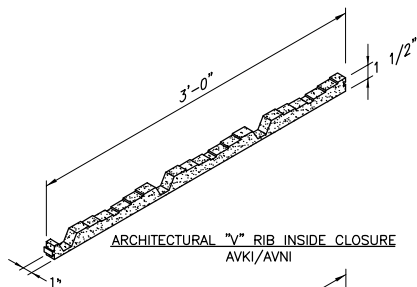
PANEL STORAGE
ARCHITECTURAL III

| |
|------|
| WC51 |
| AC |

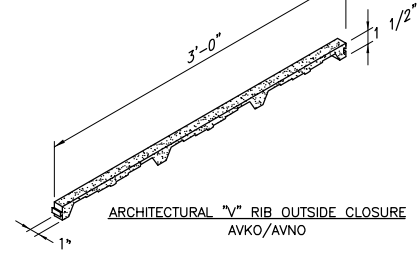
[Download the DWG file by clicking here.](#)

[To Section Index](#)








Basic Parts and Pieces
Architectural "V" Rib Panels
WC61B/AV



ARCHITECTURAL "V" RIB INSIDE CLOSURE
AVKI/AVNI



ARCHITECTURAL "V" RIB OUTSIDE CLOSURE
AVKO/AVNO

| WALL FASTENERS | MISCELLANEOUS FASTENERS | SPECIAL CONDITION FASTENERS |
|--|--|--|
|  <p>DESCRIPTION #12 X 1 1/4 SELF DRILLING CARBON STEEL HEX HEAD FASTENER WITHOUT WASHER MARK NO. #12X1 1/4 SDHH</p> <p>APPLICATION CLIPS AT OVERHEAD DOORS, WALK DOORS, ETC.</p> |  <p>DESCRIPTION 1/8 BLIND RIVET MARK NO. 1/8 RIVET</p> <p>APPLICATION FLASHING LAPS AND FLASHING TO PANEL CONNECTIONS</p> |  <p>DESCRIPTION #12 X 1 1/2 TEK5 SELF DRILLING CARBON STEEL HEX HEAD FASTENER WITHOUT WASHER MARK NO. #12X1 1/2 SDHHTS</p> <p>APPLICATION STEEL THICKNESS GREATER THAN 1/4" AND UP TO AND INCLUDING 1/2" FIELD STRUCTURAL ATTACHMENTS</p> |
|  <p>DESCRIPTION #12 X 1 1/4 SELF DRILLING (COLOR MATCHING), HEX HEAD FASTENER WITHOUT WASHER MARK NO. #12X1 1/4 SDHH</p> <p>APPLICATION SHEET TO STRUCTURAL CONNECTIONS (BASE & GABLE ANGLE, GIRTS, EAVE STRUTS, ETC.)</p> |  <p>DESCRIPTION 3/16 DIAMETER RIVET WITH WASHER MARK NO. SRV-1</p> <p>APPLICATION SIDELIGHT SIDELAP CONNECTIONS</p> |  <p>DESCRIPTION #10 X 1 1/2 SELF TAPPING CARBON STEEL, HEX HEAD FASTENER WITH WASHER MARK NO. #10X1 1/2 STHHW</p> <p>APPLICATION PANELS TO WOOD STRUCTURE. (1/4" HEX HEAD SOCKET REQUIRED)</p> |
|  <p>DESCRIPTION #14 X 3/4 SELF DRILLING (COLOR MATCHING), HEX HEAD FASTENER WITHOUT WASHER MARK NO. #14X3/4 SDHH</p> <p>APPLICATION PANEL SIDELAP CONNECTIONS, FLASHING TO PANEL CONNECTIONS AND OTHER SHEET TO SHEET CONNECTIONS</p> | | |

NOTE: ALL HEX HEAD SIZES SHALL REQUIRE A 5/16" HEX SOCKET UNLESS NOTED.

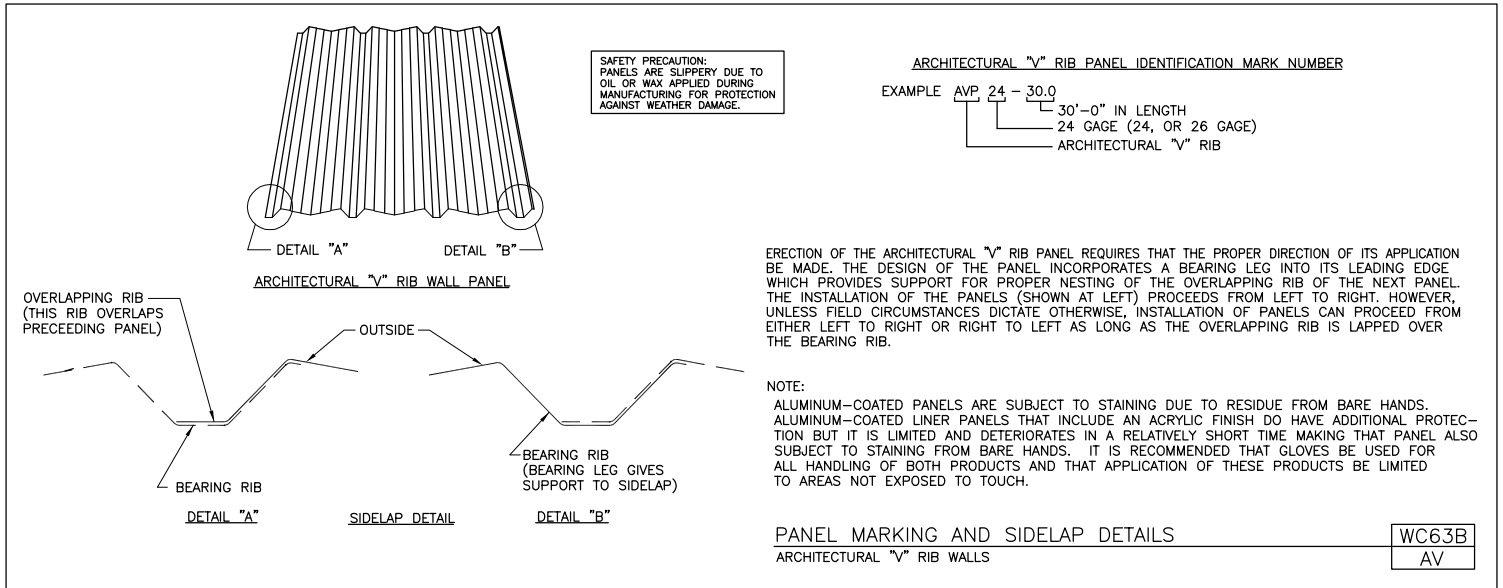
BASIC PARTS AND PIECES
ARCHITECTURAL "V" RIB WALL PANELS

| |
|-------|
| WC61B |
| AV |

[Download the DWG file by clicking here.](#)

[To Section Index](#)

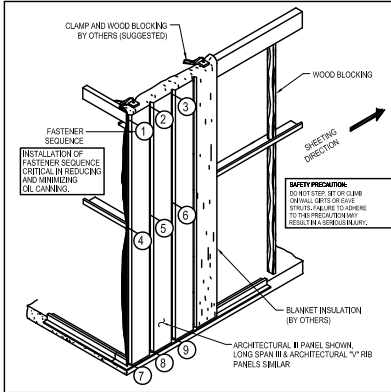
Panel Marking and Sidelap Details
Architectural "V" Rib Walls
WC63B/AV



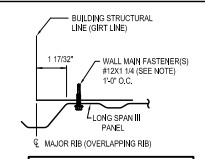
[Download the DWG file by clicking here.](#)

[To Section Index](#)

Wall Panel Installation
Architectural III, Architectural "V" Rib or Long Span III Walls
WC64/AB



NOTE: #12X2 FASTENERS w/ 6" INSULATION



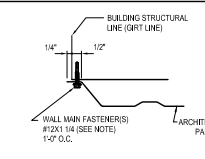
BUILDING STRUCTURAL LINE (GIRT LINE)

WALL MAIN FASTENER(S) #12X1 1/4 (SEE NOTE) 1-2" O.C.

LONG SPAN III PANEL

MAJOR RIB (OVERLAPPING RIB)

*** MAINTAIN EQUAL SPACING UP THE ENTIRE PANEL LAP.**



BUILDING STRUCTURAL LINE (GIRT LINE)

WALL MAIN FASTENER(S) #12X1 1/4 (SEE NOTE) 1-2" O.C.

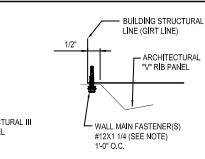
ARCHITECTURAL III PANEL

BEARING RIB

OVERLAPPING RIB

1/8" HOLE

ARCHITECTURAL III PANEL LAP AND PRE-DRILLED HOLE DETAIL



BUILDING STRUCTURAL LINE (GIRT LINE)

WALL MAIN FASTENER(S) #12X1 1/4 (SEE NOTE) 1-2" O.C.

ARCHITECTURAL "V" RIB PANEL

BEARING RIB

OVERLAPPING RIB

1/8" HOLE

ARCHITECTURAL "V" RIB PANEL LAP AND PRE-DRILLED HOLE DETAIL

PRE-DRILLING OVERLAPPING RIB FOR STITCH SCREWS AS SHOWN WILL INSURE ALL SCREWS ARE KNIFE.

NOTE: TO AVOID DAMPING, DO NOT OVER TORQUE SCREWS.

WALL PANEL INSTALLATION
LONG SPAN III, ARCHITECTURAL III OR ARCHITECTURAL "V" RIB WALL PANELS

PRIOR TO WALL SHEETING ALIGN WALL CERTS AS SHOWN IN GED30A.

INSULATION (BY OTHERS) IF REQUIRED, SHOULD BE INSTALLED PRIOR TO THE PANEL INSTALLATION AND CONTINUED IN THE SAME MANNER AS SHEETING PROGRESSES ALONG THE WALL.

INSTALL THE FIRST WALL PANEL AT THE BUILDING CORNER AND ALIGN THE PANEL RIB WITH THE STRUCTURAL OR GIRT LINE AS SHOWN. **IT IS EXTREMELY IMPORTANT THAT THE FIRST WALL PANEL BE INSTALLED PLUMB.** USE A SPIRIT LEVEL OR TRANSIT ON EACH PANEL. IT IS RECOMMENDED THAT A SMALL WEDGE SPACER BE PLACED UNDER THE PANEL AT THE BASE ANGLE. APPLY THE WALL PANEL OVER THE INSULATION AND INSTALL WALL FASTENERS AT ALL STRUCTURAL WALL MEMBERS BEGINNING WITH THE TOP MOST ATTACHMENT AND PROCEEDING DOWNWARD (SEE SUGGESTED NUMERICAL FASTENER SEQUENCE). REMOVE THE WEDGE SPACER BEFORE ATTACHING PANEL AT BASE ANGLE. **DO NOT EXCEED PANEL BY ATTACHING AT BOTH ENDS WORKING TO THE MIDDLE OF THE PANEL. THIS PROCEDURE PROTECTS THE CORNER.**

INSTALL THE NEXT PANEL BY OVERLAPPING THE RIB WITH THE FIRST PANEL AS SHOWN. CHECK FOR PLUMBNESS AND FASTEN THE PANEL IN THE SAME MANNER AS THE FIRST PANEL. CONTINUE TO SHEET THE WALL USING THIS PROCEDURE. CUT PANELS AT DOORS, WINDOWS, LOUVERS AND OTHER WALL OPENINGS AS REQUIRED.

SHEETS CAN USUALLY BE STARTED FROM EITHER END OF THE BUILDING AND CONTINUED EITHER IN THE DIRECTION OF LEFT TO RIGHT OR RIGHT TO LEFT AS SHOWN HOWEVER BY APPLYING THE SHEETS TOWARD THE DIRECTION OF THE PREVAILING WIND, THE OVERLAP LINE AT THE SIDELAP OF EVERY PANEL WILL BE LESS VISIBLE. THE SAME PRINCIPLE CAN BE APPLIED WHERE HEAVY PREVAILING WINDS OCCUR BY PLACING THE LAPPED EDGE ON THE LEeward SIDE (DOWNWIND SIDE) OF THE PANEL RIB.

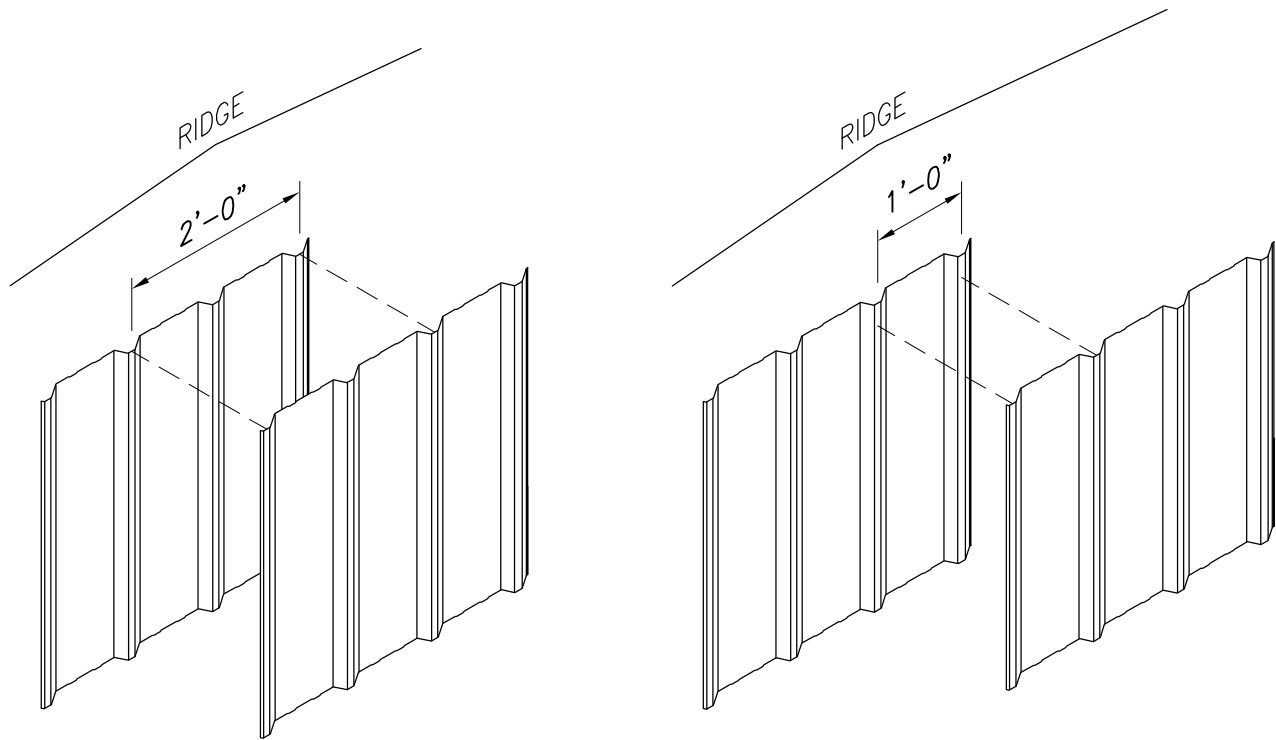
ALL WALL GIRTS ARE SHOWN TOED UP. TOED DOWN SIMILAR.

EAVE STRUT SHOWN. OTHER EAVE MEMBERS SIMILAR.

[Download the DWG file by clicking here.](#)

Panel Backlapping
Architectural III, Architectural "V" Rib or Long Span III Walls
WC75/AB

BACKLAPPING THE PANELS 1' OR 2' IS ROUTINELY DONE TO MATCH PANEL COVERAGE WITH THE BUILDING WIDTH AND LENGTH. ON THE SIDEWALL THIS IS DONE WITH THE LAST PANEL INSTALLED. ON THE ENDWALL THIS IS DONE AT THE RIDGE AND WILL BE MARKED ON THE ERECTION DRAWINGS.



NOTE:
ENDWALL PANELS SHOWN, SIDEWALLS PANELS SIMILAR
LONG SPAN III SHOWN, ARCHITECTURAL III & ARCHITECTURAL "V" RIB SIMILAR.

PANEL BACKLAPPING

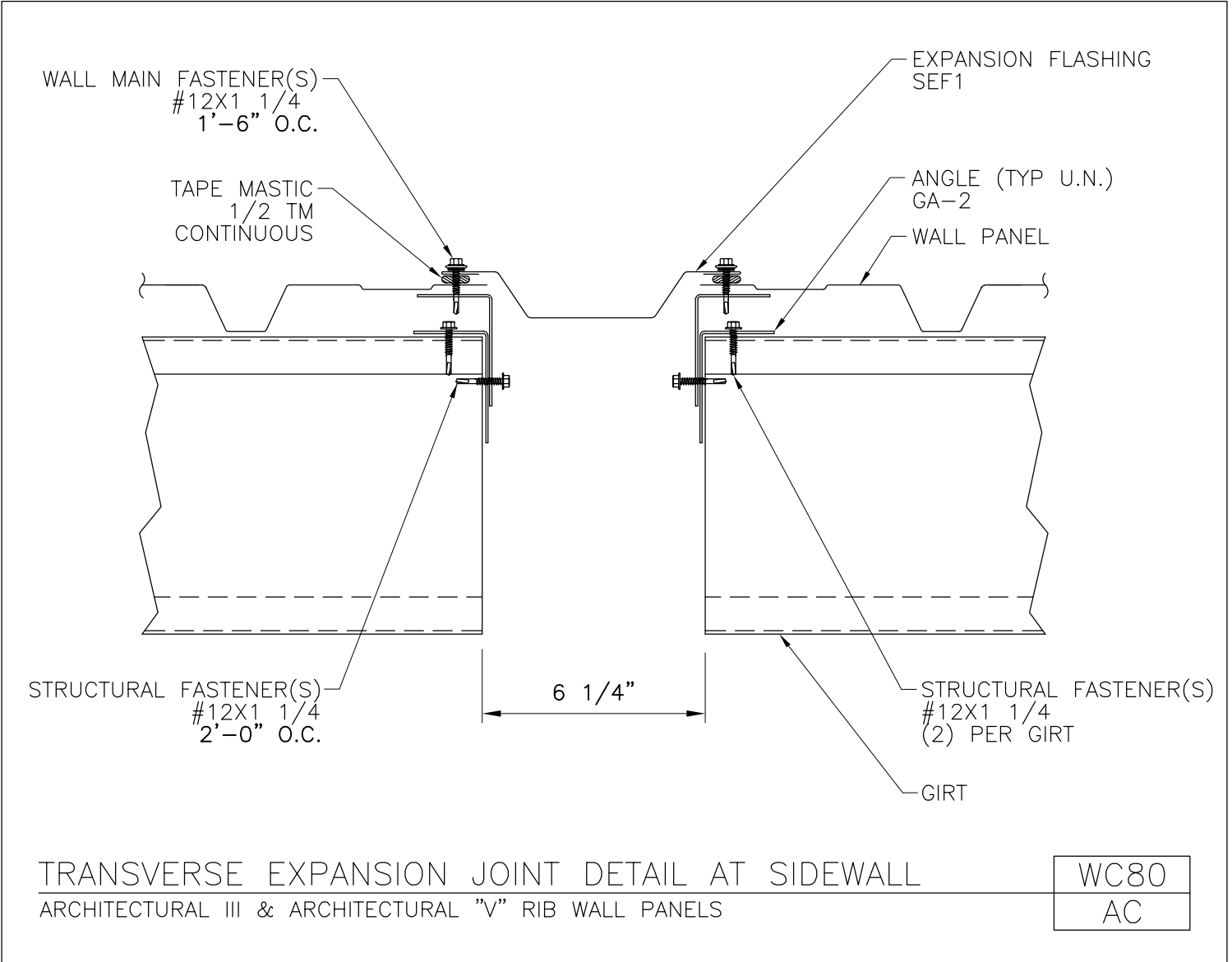
ARCHITECTURAL III, ARCHITECTURAL "V" RIB OR LONG SPAN III WALLS

| |
|------|
| WC75 |
| AB |

[Download the DWG file by clicking here.](#)

[To Section Index](#)

Transverse Expansion Joint Detail at Sidewall
Architectural III & Architectural "V" Rib Wall Panels
WC80/AC



[Download the DWG file by clicking here.](#)

[To Section Index](#)

Erection Notes
Architectural "V" Rib Walls
WC91A/AV

ERECTION NOTES:

1. ALL AREAS WHERE MASTIC IS TO BE APPLIED SHOULD BE WIPED CLEAN WITH A MILD DETERGENT OR AN ALL PURPOSE CLEANER BEFORE MASTIC APPLICATION. THIS WILL INSURE A GOOD SEALING SURFACE AND IMPROVE WEATHER TIGHTNESS.
2. THE BLANKET INSULATION MANUFACTURER RECOMMENDS THAT DOUBLE SIDED TAPE BE USED TO SECURE THE INSULATION TO THE EAVE. THE METAL BUILDING SUPPLIER IS NOT RESPONSIBLE FOR THE INSTALLATION OR ATTACHMENT OF THE INSULATION. ADDITIONAL ATTACHMENTS (BY OTHERS) MAY BE REQUIRED.
3. ALL EXPOSED FASTENERS SHOULD PENETRATE THE SEALANT FOR THE MOST WEATHER TIGHT CONNECTION IN WALL AREAS WHERE APPLICABLE.
4. THE ARCHITECTURAL "V" RIB PANEL IS DESIGNED FOR WALL APPLICATIONS ONLY AND SHOULD NEVER BE UTILIZED IN THE ROOF FOR PURPOSES OF PROVIDING A ROOF SYSTEM FOR BUILDINGS. THE INVERTED RIBS INCORPORATED INTO ITS DESIGN PRODUCE SMOOTH SHADOW LINES AND SEMI-CONCEALED FASTENERS. ALTHOUGH SHEETING CAN USUALLY BEGIN FROM EITHER END OF THE BUILDING, APPLICATION OF THIS PANEL IS DIRECTIONAL. PROPERLY INSTALLED, THE LAP EDGES OF THE ARCHITECTURAL "V" RIB PANEL HAVE MINIMUM VISIBILITY.
5. WHEN FIELD CUTTING PANELS OR TRIM DO NOT USE ABRASIVE SAWS OR OTHER CUTTING METHODS WHICH PRODUCE HOT METAL PARTICLES OR BURN THE CUT EDGES. THESE METHODS WILL DAMAGE THE PAINTED AND GALVALUME FINISH AND VOID ANY WARRANTIES. USE DOUBLE CUT SHEARS, NIBBLERS OR OTHER CUTTING DEVICES WHICH DO NOT PRODUCE HOT METAL PARTICLES OR BURNED EDGES.

ERECTION NOTES

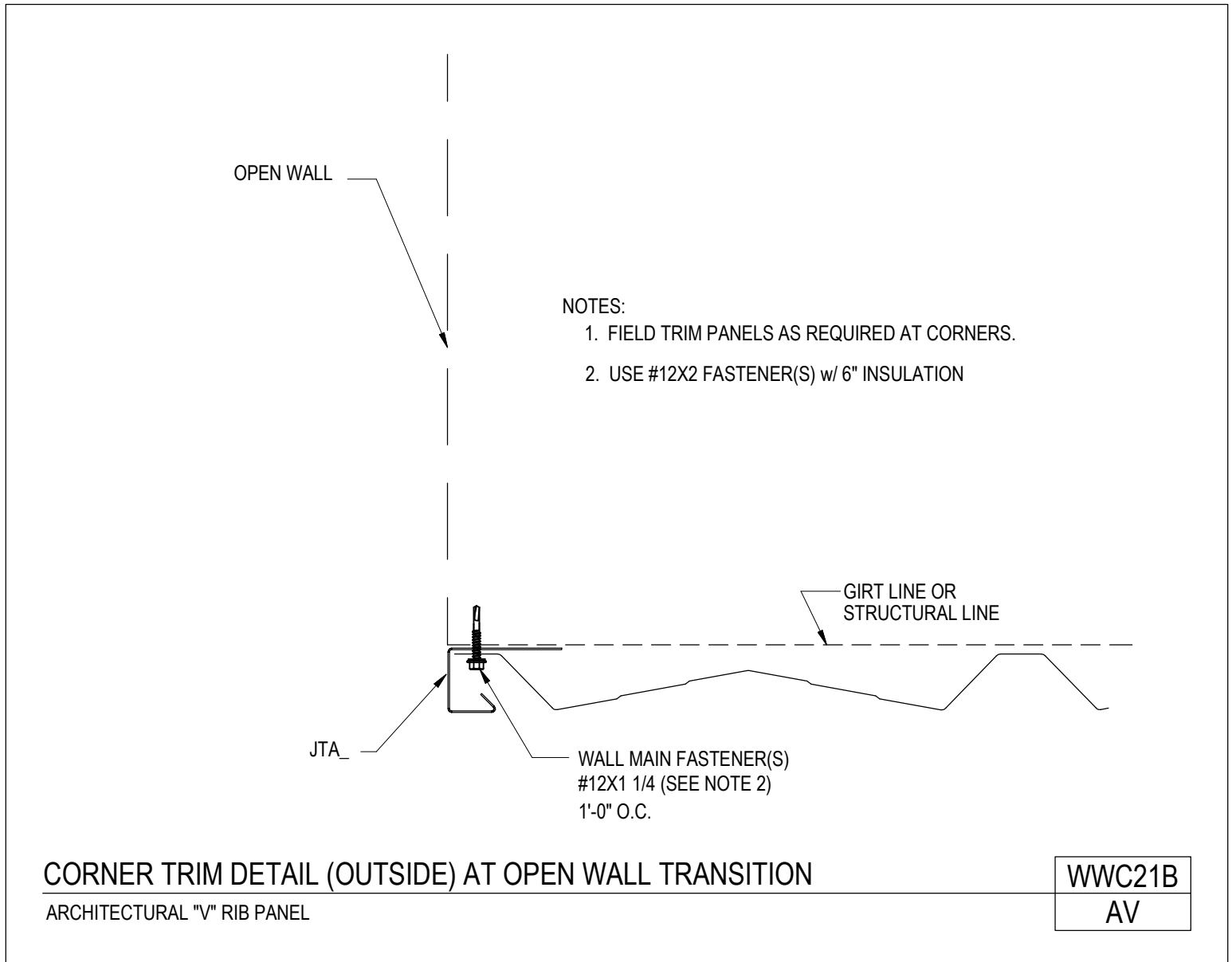
ARCHITECTURAL "V" RIB WALLS

| |
|-------|
| WC91A |
| AV |

[Download the DWG file by clicking here.](#)

[To Section Index](#)

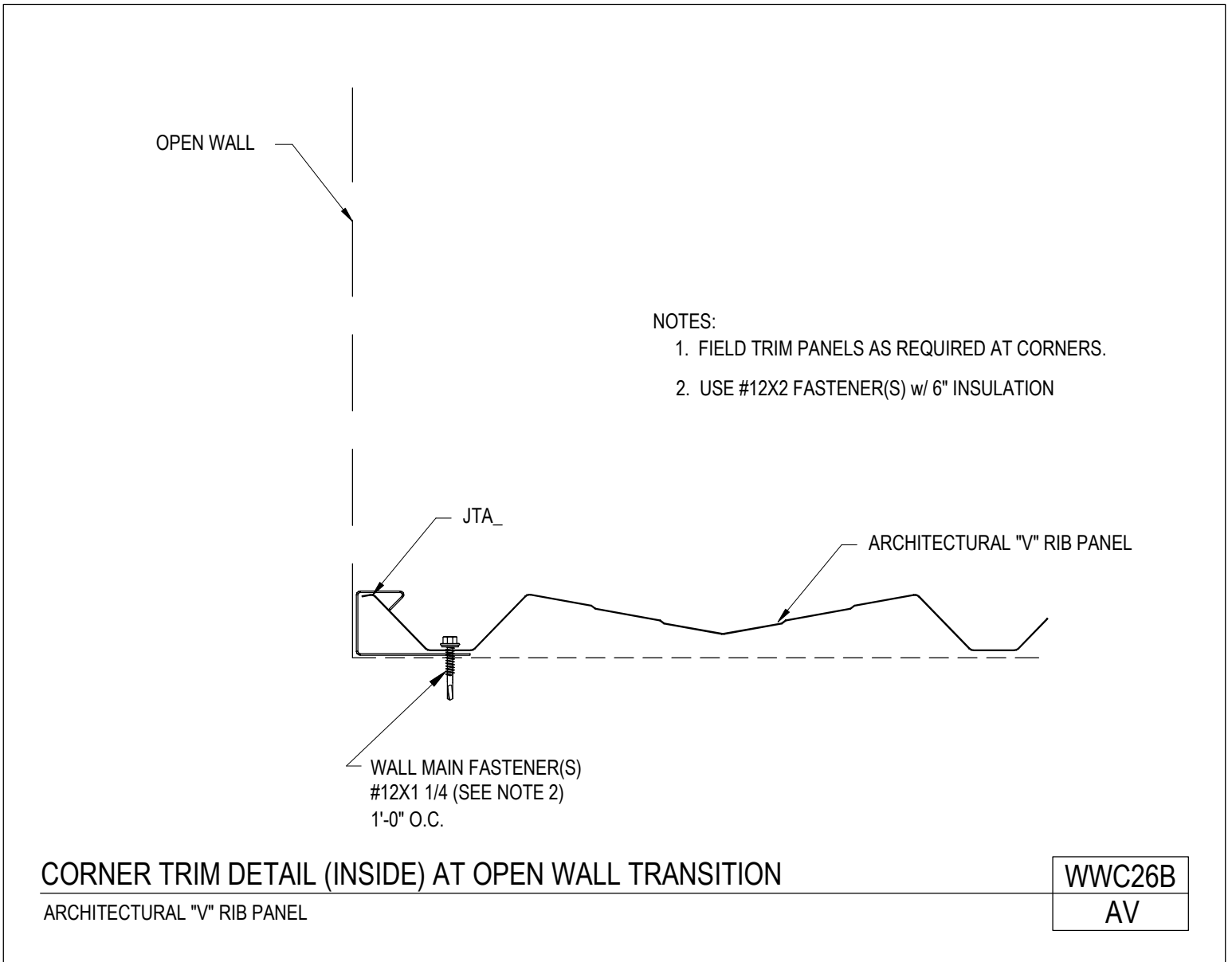
Corner Trim Detail (Outside) at Open Wall Transition
Architectural "V" Rib Panel
WWC21B/AV



Download the DWG file by clicking [here](#).

To Section Index

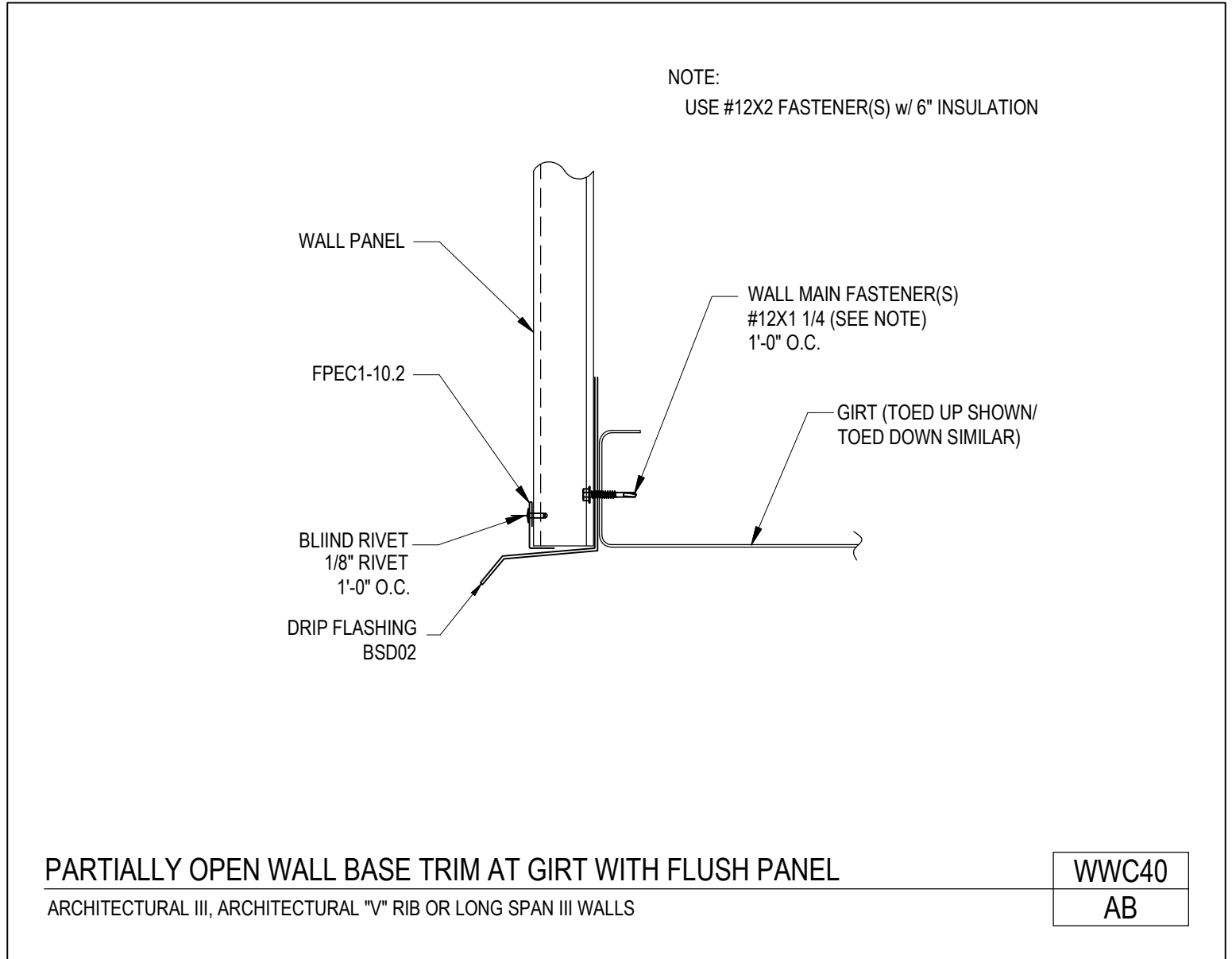
Corner Trim Detail (Inside) at Open Wall Transition
Architectural "V" Rib Panel
WWC26B/AV



Download the DWG file by clicking [here](#).

To Section Index

Partially Open Wall Base Trim at Girt With Flush Panel
Architectural III, Architectural "V" Rib or Long Span III Walls
WWC40/AB



[Download the DWG file by clicking here.](#)

[To Section Index](#)



**AMERICAN
BUILDINGS**

A **NUCOR** COMPANY

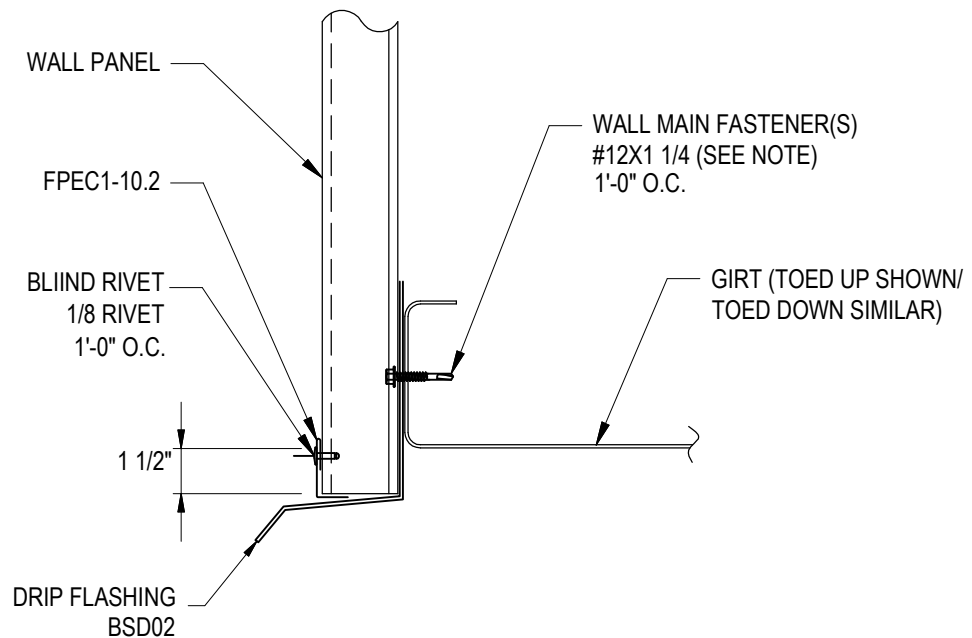
PRODUCT MANUAL

ARCHITECTURAL "V" RIB PANEL

Partially Open Wall Base Trim at Girt, Panel Extends 1 1/2"
Architectural III, Architectural "V" Rib or Long Span III Walls
WWC41/AB

NOTE:

USE #12X2 FASTENER(S) w/ 6" INSULATION



PARTIALLY OPEN WALL BASE TRIM AT GIRT, PANEL EXTENDS 1 1/2"

ARCHITECTURAL III, ARCHITECTURAL "V" RIB OR LONG SPAN III WALLS

| |
|-------|
| WWC41 |
| AB |

[Download the DWG file by clicking here.](#)

[To Section Index](#)