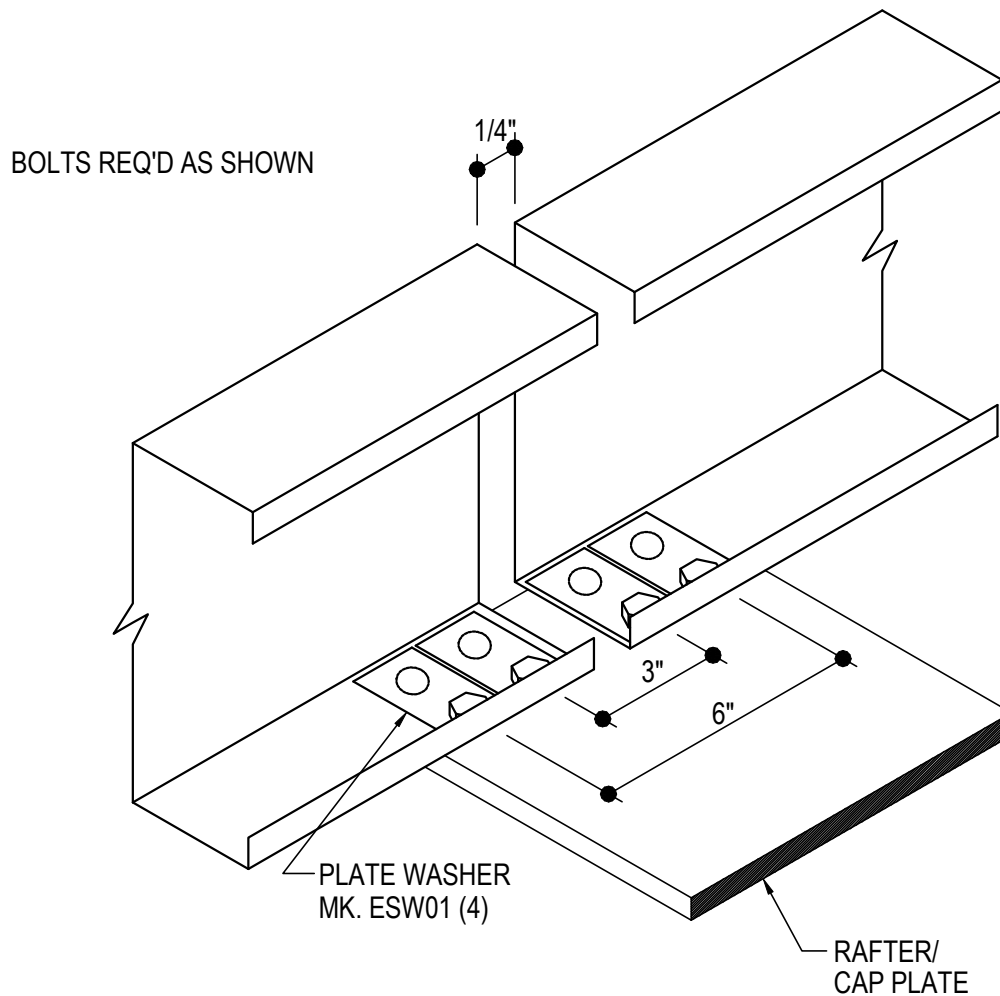


LOW EAVE

- BA0010 - LOW EAVE STRUT FLUSH_INSET SW GIRT AT INTERIOR FRAME 2 BOLT
 - BA0020 - LOW EAVE STRUT BYPASS SW GIRT AT INTERIOR FRAME 2 BOLT
 - BA0025 - LOW EAVE STRUT TERMINATION BYPASS SW GIRT 2 BOLT
 - BA0030 - LOW EAVE STRUT BYPASS SW 2 BOLT
 - BA0040 - LOW EAVE STRUT FLUSH_INSET SW GIRT AT ENDWALL FRAME 2 BOLT
 - BA0050 - LOW EAVE STRUT CF EW 2 BOLT
 - BA0060 - LOW EAVE STRUT FLUSH_INSET SW GIRT WITH STRUT PLATE 4 BOLT
 - BA0070 - LOW EAVE STRUT BYPASS SW GIRT WITH STRUT PLATE 4 BOLT
 - BA0080 - LOW EAVE STRUT BYPASS SW GIRT AT ENDWALL FRAME 4 BOLT
 - BA0090 - LOW EAVE FLUSH_INSET SW GIRT AT RIGID FRAME ENDWALL 4 BOLT
 - BA0100 - LOW EAVE STRUT CF EW 4 BOLT
 - BA0115 - LOW EAVE STRUT FLUSH_INSET AT COLUMN AND ROOF JOIST DETAIL
 - BA0125 - LOW EAVE STRUT AT ENDWALL RAFTER WITH ROOF JOISTS DETAIL
 - BA0200 - EAVE STRUT AT STRUCTURAL EXPANSION DETAIL
 - BA0340 - EAVE ANGLE ATTACHMENT
 - BA2000 - EAVE ZEE MEMBER FOR R-Boost™
-

BA0010 - LOW EAVE STRUT FLUSH/INSET SW GIRT AT INTERIOR FRAME DETAIL

[Download the DWG file by clicking here.](#)



EAVE STRUT AT INTERIOR FRAME

LOW EAVE FLUSH/INSET SW GIRT CONDITION
USE (4) 1/2" X 2" A325 BOLT H0603/NUT H0300 U.N.O.

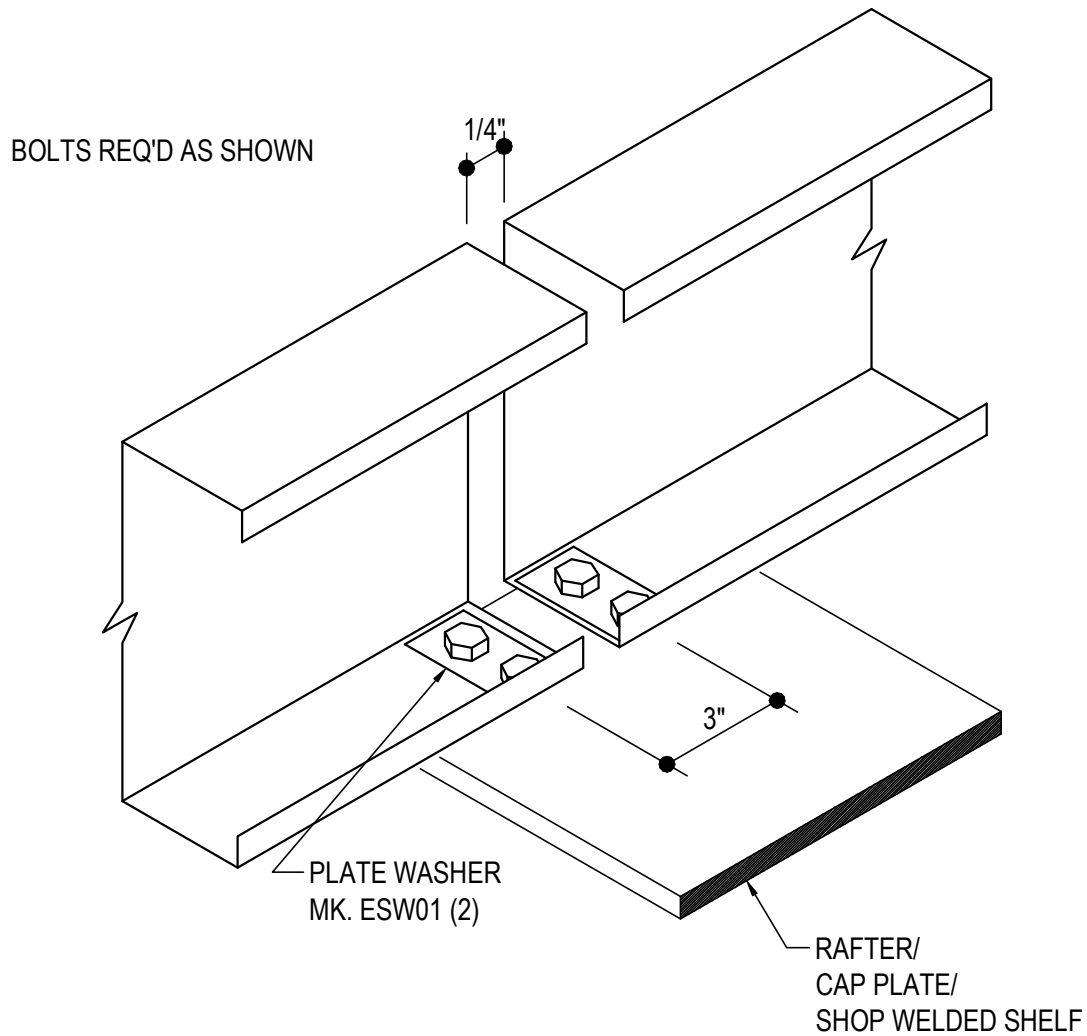
BA0010

Detailer Notes:

- 1) 8" MIN. CAP PLATE

BA0020 - LOW EAVE STRUT BYPASS SW GIRT AT INTERIOR FRAME DETAIL

[Download the DWG file by clicking here.](#)



EAVE STRUT AT INTERIOR FRAME

LOW EAVE BYPASS SW GIRT CONDITION
USE (4) 1/2" X 2" A325 BOLT H0603/NUT H0300 U.N.O.

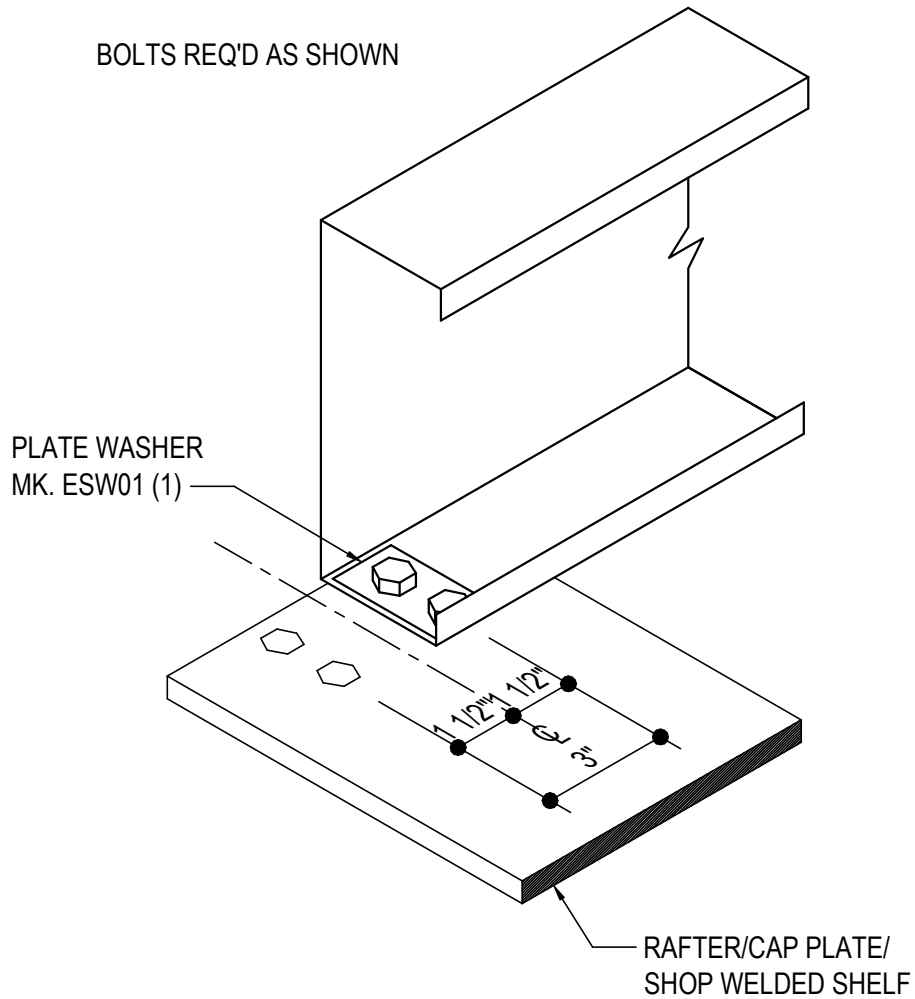
BA0020

Detailer Notes:

1) N/A

BA0025 - LOW EAVE STRUT TERMINATION BYPASS SW GIRT DETAIL

[Download the DWG file by clicking here.](#)



EAVE STRUT TERMINATION

LOW EAVE BYPASS SW GIRT CONDITION
USE (2) 1/2" X 2" A325 BOLT H0603/NUT H0300 U.N.O.

BA0025

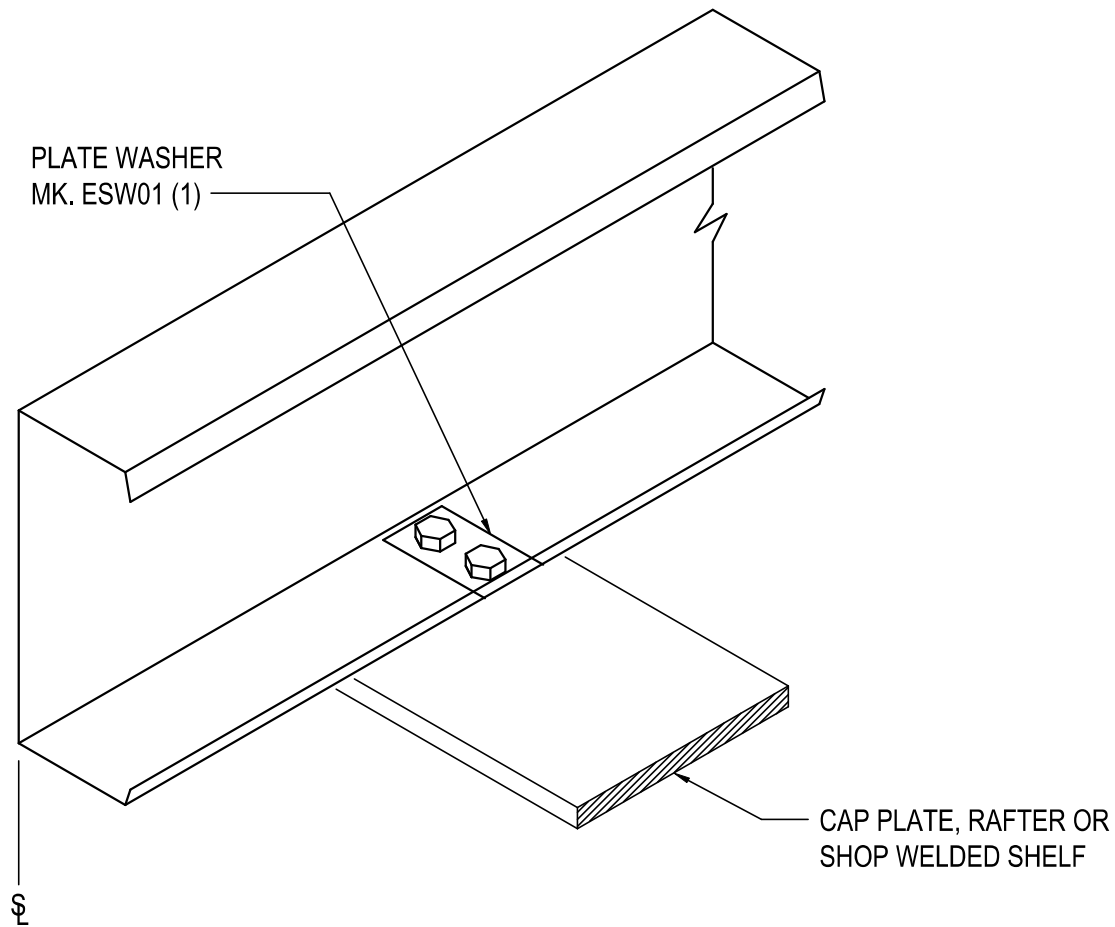
Detailer Notes:

1) N/A

BA0030 - LOW EAVE STRUT BYPASS SW DETAIL

[Download the DWG file by clicking here.](#)

BOLTS REQ'D ONLY AS SHOWN



EAVE STRUT

BYPASS SIDEWALL CONDITION

USE (2) 1/2" x 2" A325 BOLT H0603/NUT H0300 U.N.O.

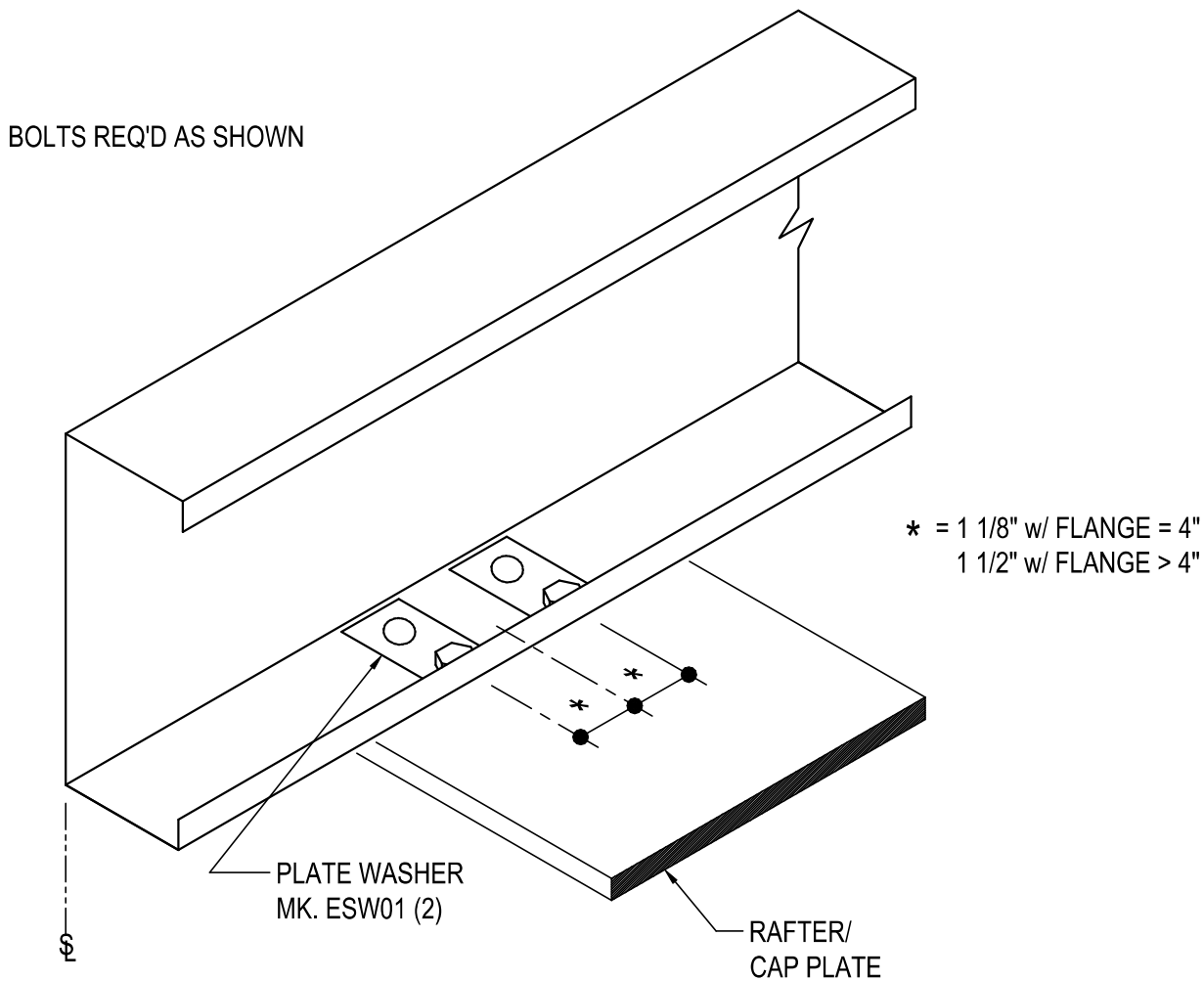
BA0030

Detailer Notes:

1) N/A

BA0040 - LOW EAVE STRUT FLUSH/INSET SW GIRT AT ENDWALL FRAME DETAIL

[Download the DWG file by clicking here.](#)



EAVE STRUT AT ENDWALL FRAME

LOW EAVE - FLUSH/INSET SW GIRT CONDITION
USE (2) 1/2" x 2" A325 BOLT H0603/NUT H0300 U.N.O.

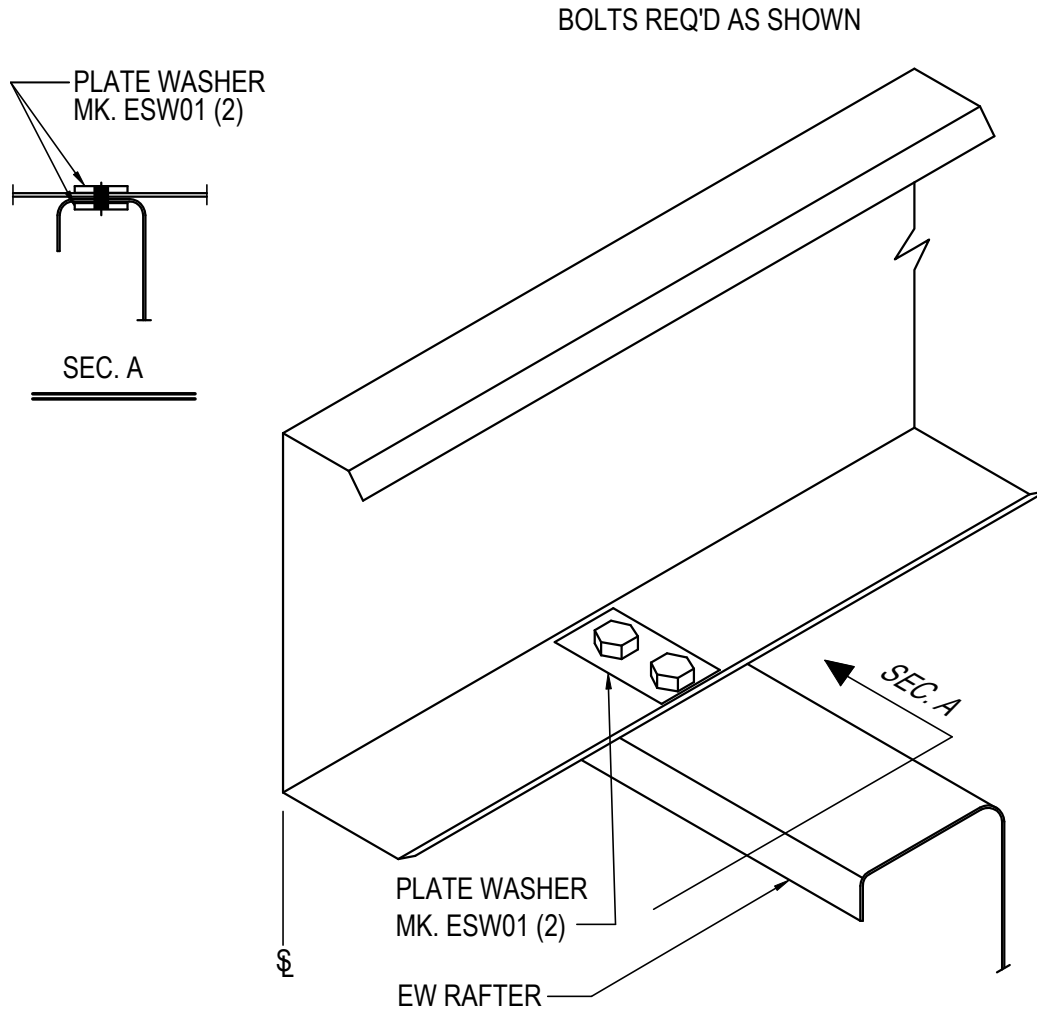
BA0040

Detailer Notes:

1) N/A

BA0050 - LOW EAVE STRUT CF EW DETAIL

[Download the DWG file by clicking here.](#)



EAVE STRUT

LOW EAVE COLD-FORMED EW CONDITION
USE (2) 1/2" X 2" A325 BOLT H0603/ NUT H0300 U.N.O.
REFERENCE ERECTOR NOTE FOR TYP. WASHER REQUIREMENTS

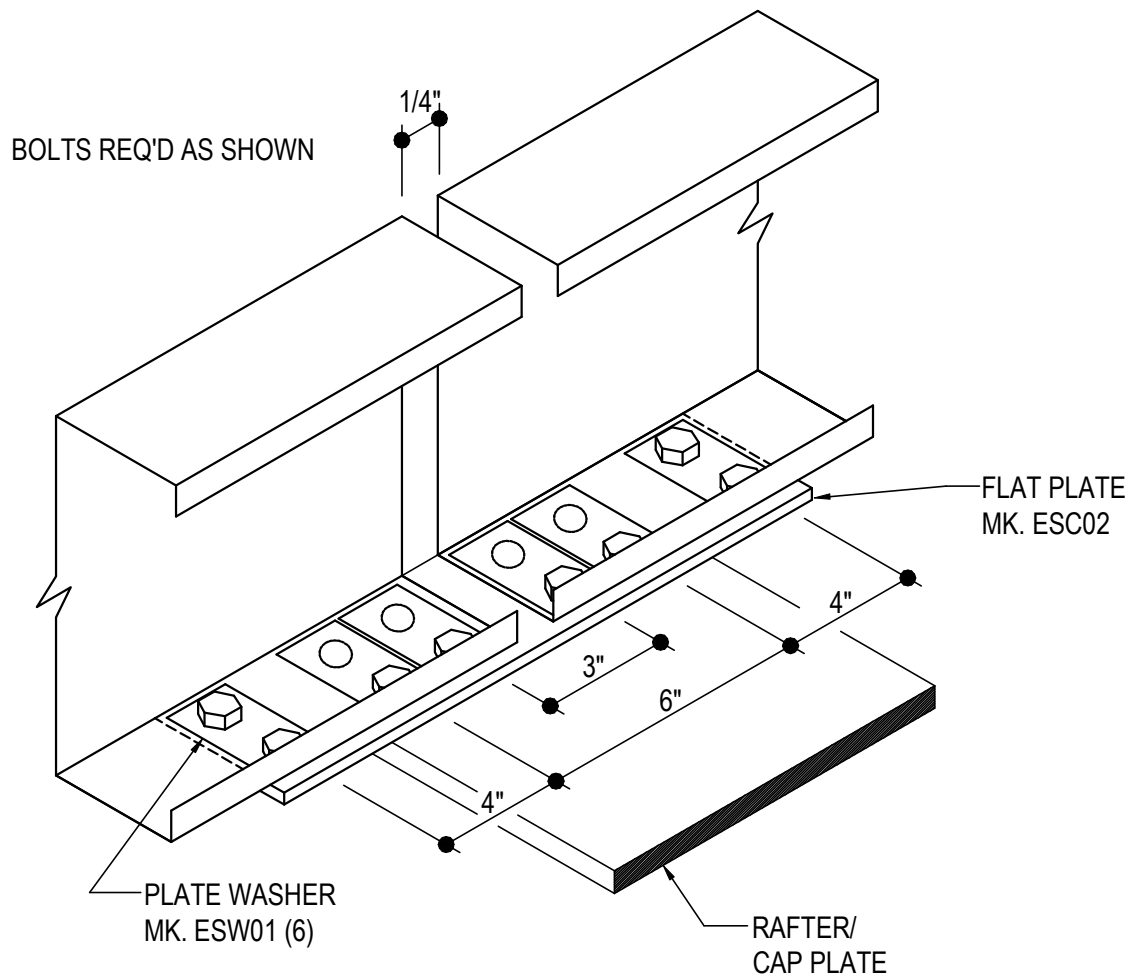
BA0050

Detailer Notes:

- 1) N/A

BA0060 - LOW EAVE STRUT FLUSH/INSET WITH STRUT PLATE DETAIL

[Download the DWG file by clicking here.](#)



EAVE STRUT WITH STRUT PLATE

LOW EAVE FLUSH/INSET SW GIRT CONDITION
USE (8) 1/2" X 2" A325 BOLT H0603/ NUT H0300 U.N.O.

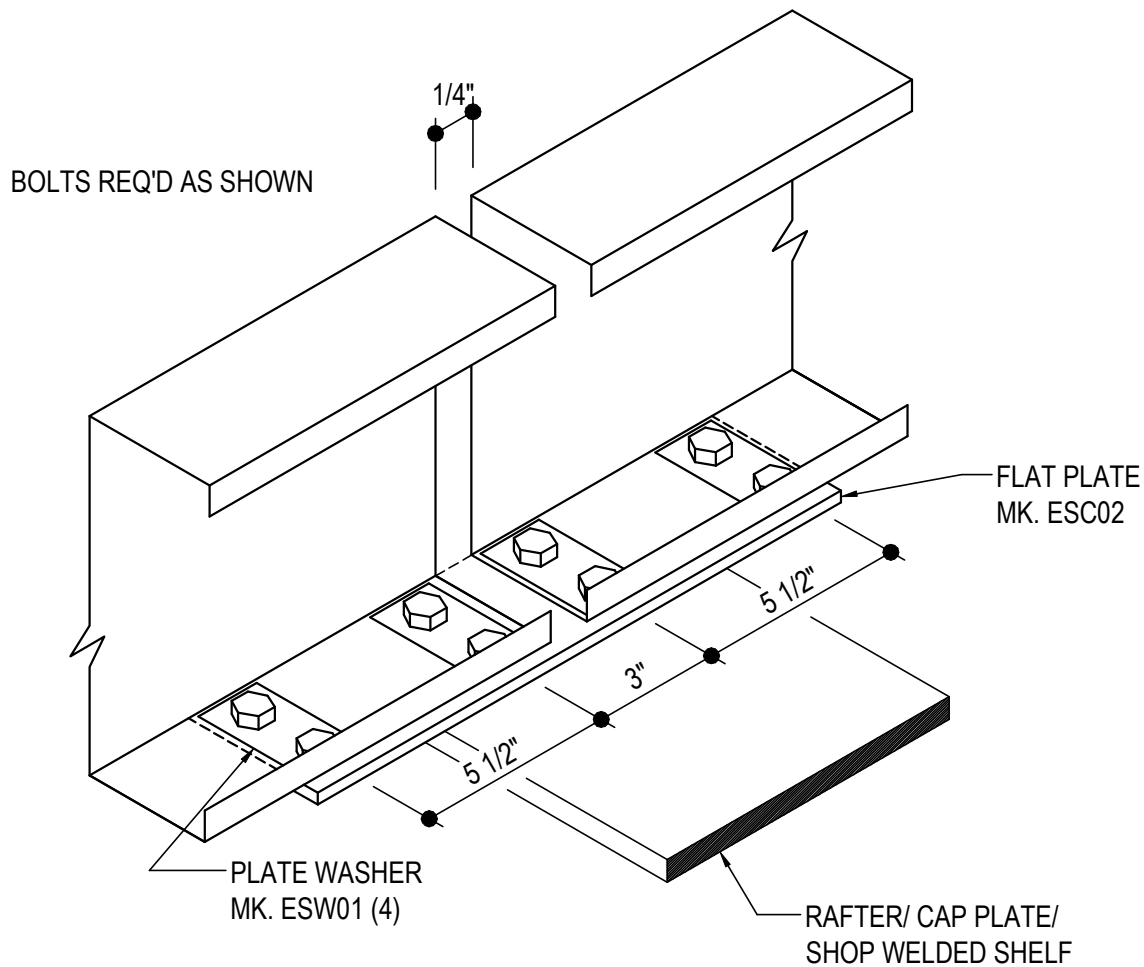
BA0060

Detailer Notes:

- 1) 8" MIN. CAP PLATE

BA0070 - LOW EAVE STRUT BYPASS SW GIRT WITH STRUT PLATE DETAIL

[Download the DWG file by clicking here.](#)



EAVE STRUT WITH STRUT PLATE

LOW EAVE BYPASS SW GIRT CONDITION
USE (8) 1/2" X 2" A325 BOLT H0603/NUT H0300 U.N.O.

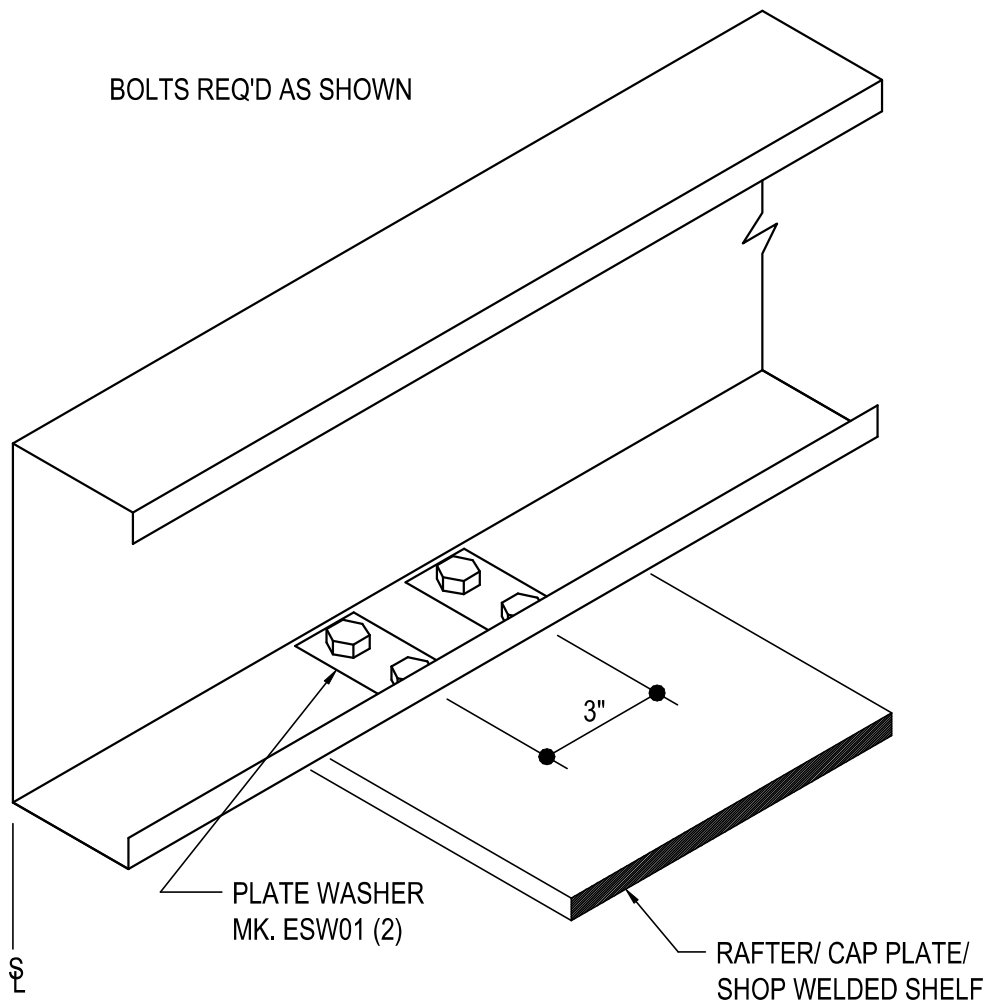
BA0070

Detailer Notes:

- 1) N/A

BA0080 - LOW EAVE STRUT BYPASS SW GIRT AT ENDWALL FRAME DETAIL

[Download the DWG file by clicking here.](#)



EAVE STRUT AT ENDWALL FRAME

LOW EAVE - BYPASS SW GIRT CONDITION
USE (4) 1/2" X 2" A325 BOLT H0603/NUT H0300 U.N.O.

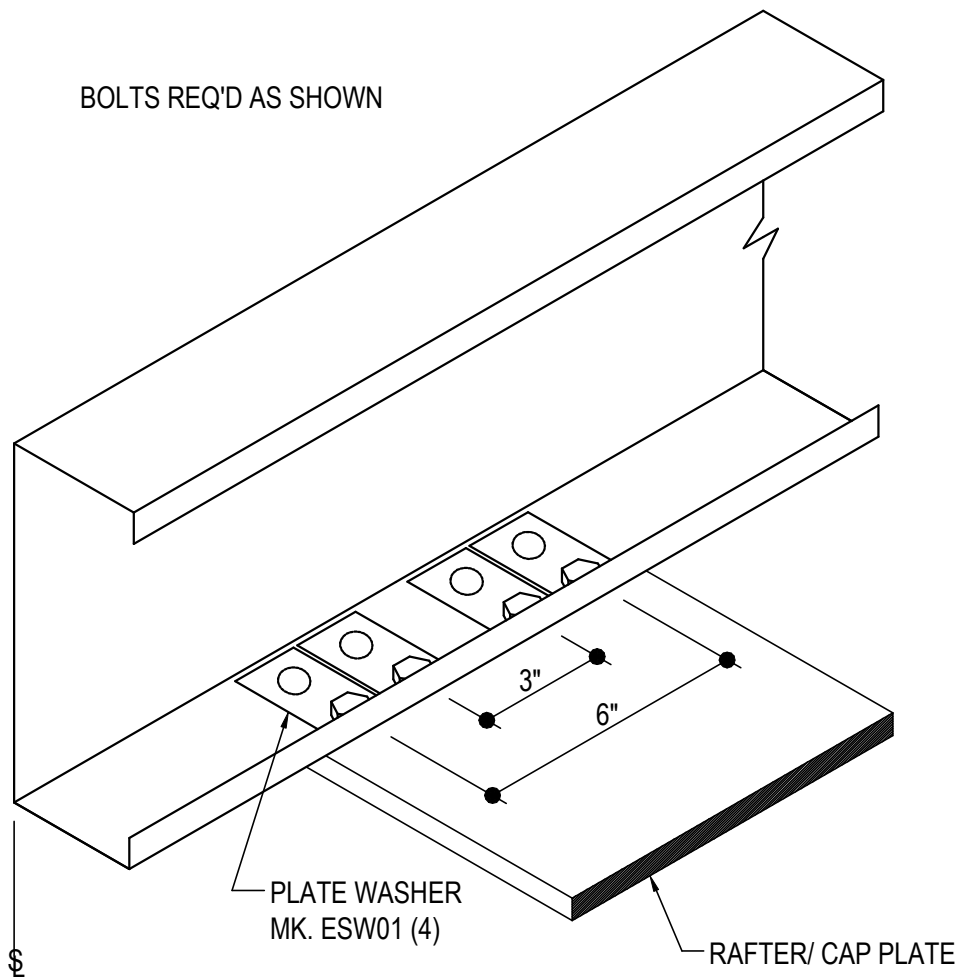
BA0080

Detailer Notes:

- 1) N/A

BA0090 - LOW EAVE FLUSH/INSET SW GIRT AT RIGID FRAME ENDWALL DETAIL

[Download the DWG file by clicking here.](#)



EAVE STRUT AT RIGID FRAME ENDWALL

LOW EAVE FLUSH/INSET SW GIRT CONDITION
USE (4) 1/2" X 2" A325 BOLT H0603/NUT H0300 U.N.O.

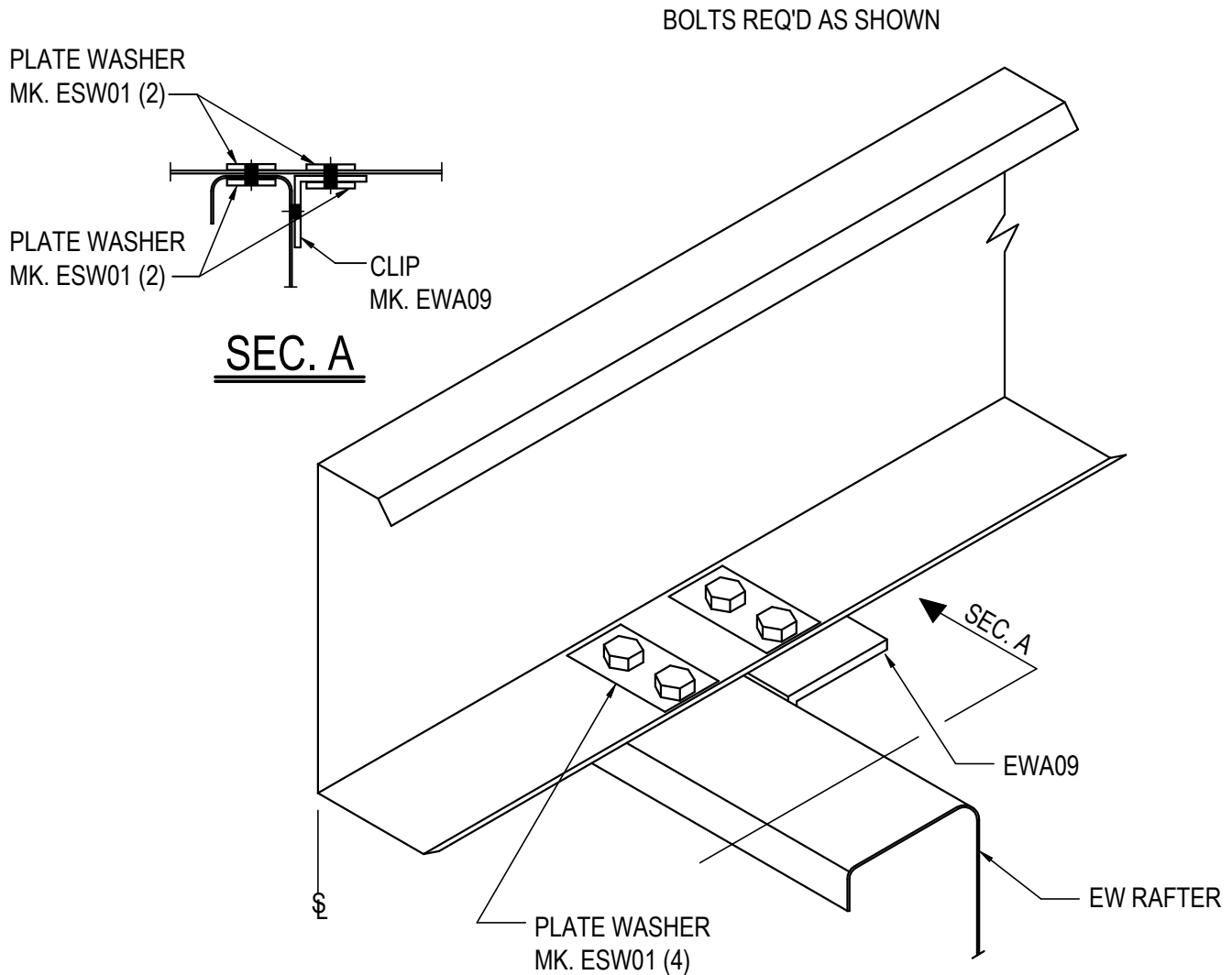
BA0090

Detailer Notes:

- 1) 8" MIN. CAP PLATE

BA0100 - LOW EAVE STRUT CF EW DETAIL

[Download the DWG file by clicking here.](#)



EAVE STRUT

LOW EAVE COLD-FORMED EW CONDITION
USE (6) 1/2" X 2" A325 BOLT H0603/ NUT H0300 U.N.O.
REFERENCE ERECTOR NOTE FOR TYP. WASHER REQUIREMENTS

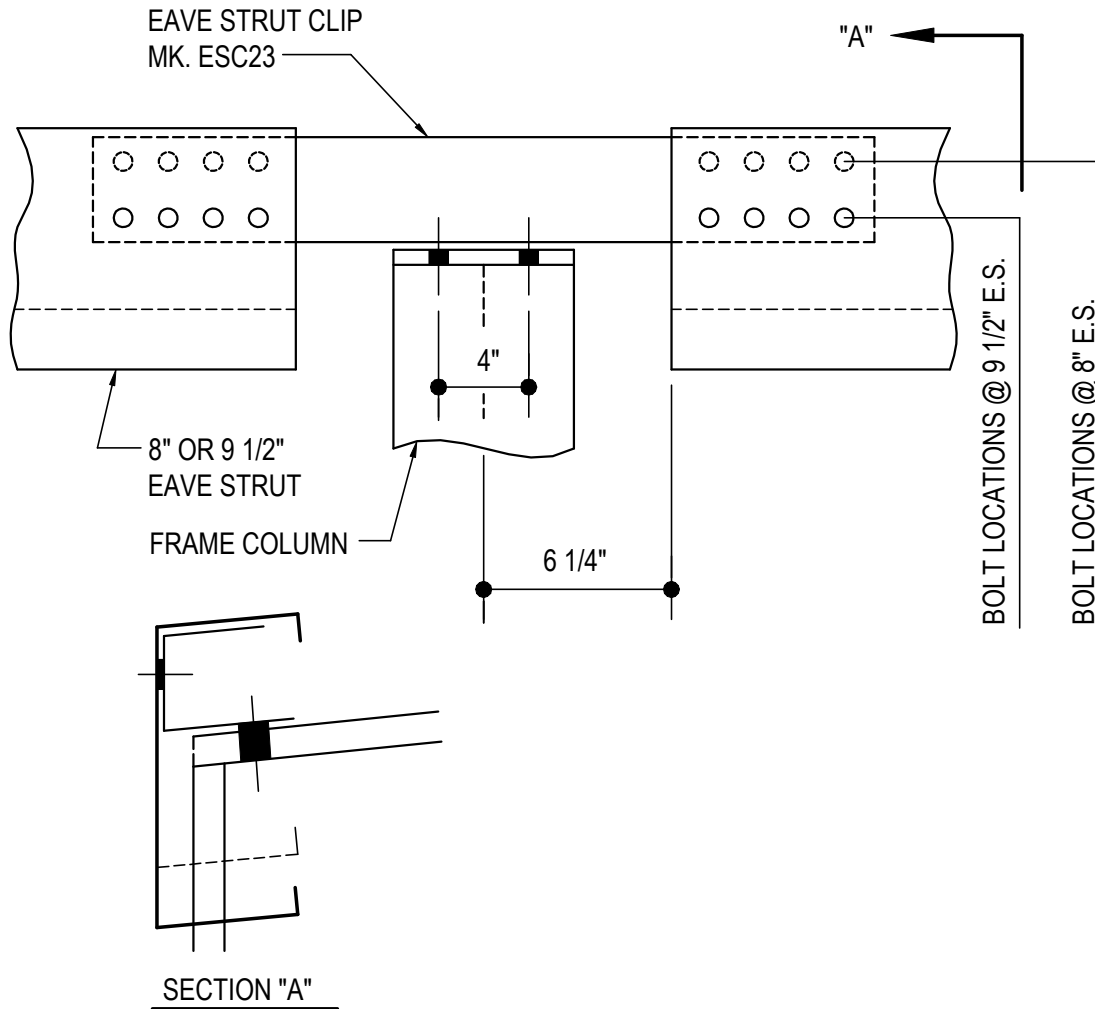
BA0100

Detailer Notes:

- 1) N/A

BA0115 - LOW EAVE STRUT FLUSH/INSET AT COLUMN AND ROOF JOISTS DETAIL

[Download the DWG file by clicking here.](#)



EQ LEG EAVE STRUT AT COL

LOW EAVE FLUSH/INSET SW GIRT, ROOF JOISTS
USE (10) 1/2" x 2" A325 BOLT H0603/NUT H0300 U.N.O.

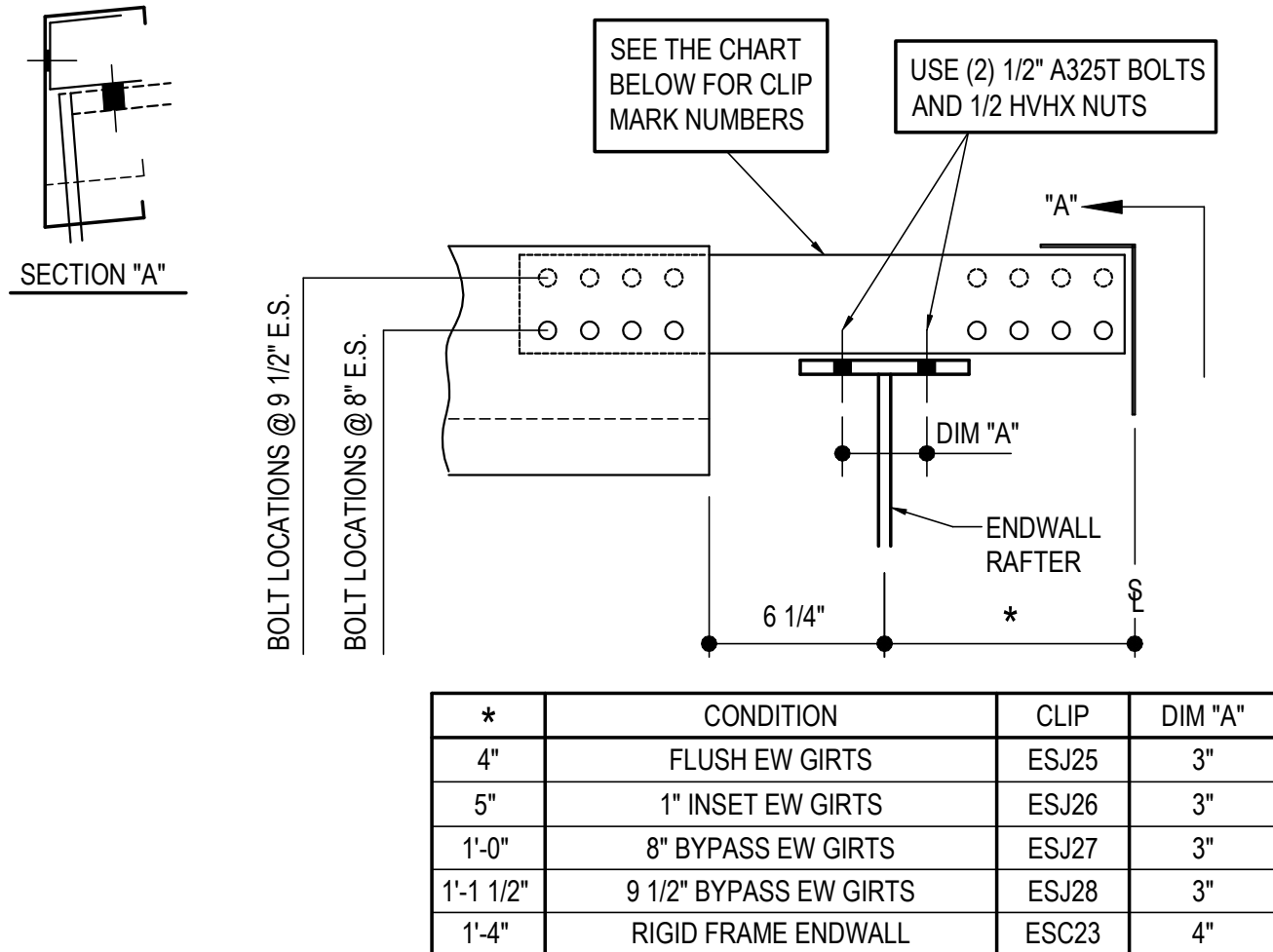
BA0115

Detailer Notes:

- 1) N/A

BA0125 - LOW EAVE STRUT @ ENDWALL RAFTER WITH ROOF JOISTS DETAIL

[Download the DWG file by clicking here.](#)



EQ LEG EAVE STRUT-EW RAFTER

EAVE STRUT WITH ROOF JOIST AT LOW EAVE
USE (4) 1/2" x 2" A325 BOLT H0603/NUT H0300 U.N.O.

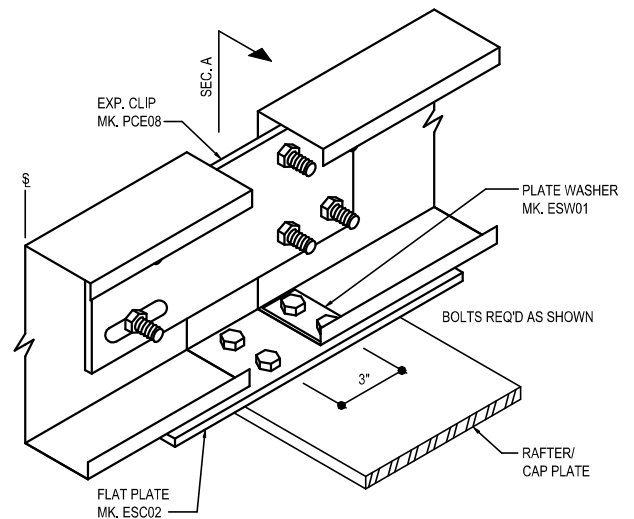
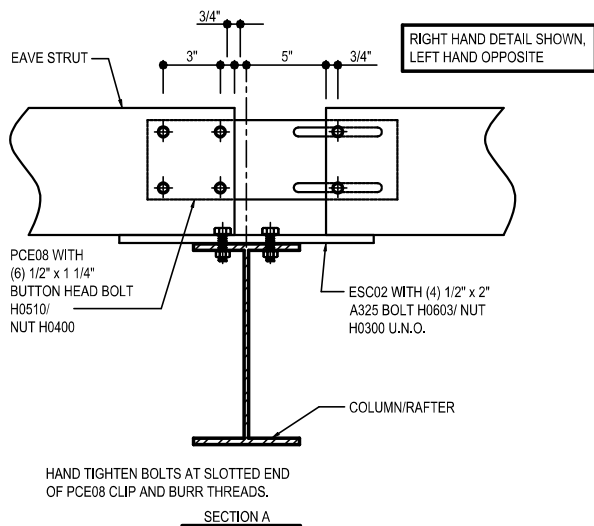
BA0125

Detailer Notes:

- 1) N/A

BA0200 - EAVE STRUT AT STRUCTURAL EXPANSION DETAIL

[Download the DWG file by clicking here.](#)



EAVE STRUT

STRUCTURAL EXPANSION JOINT AT EAVE STRUT

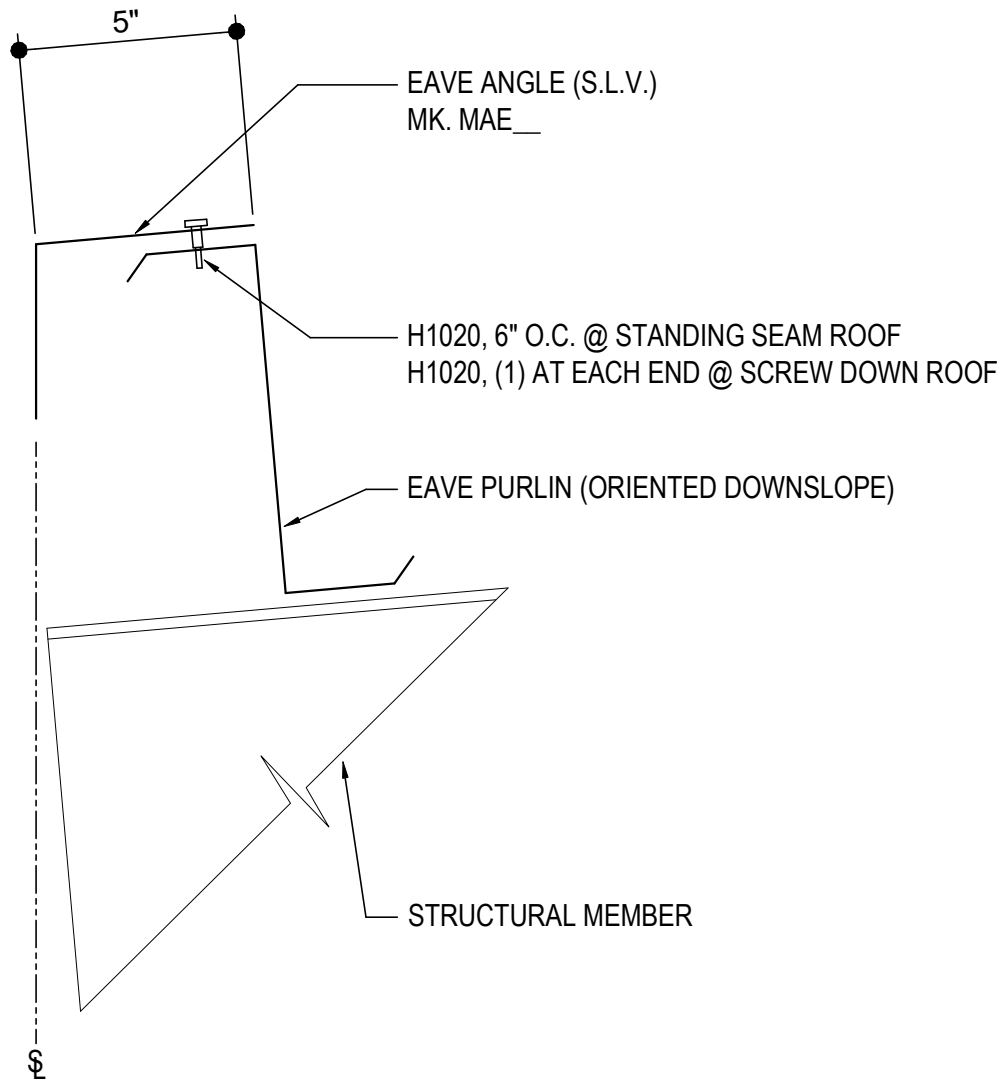
BA0200

Detailer Notes:

- 1) ONLY USE AT BYPASS SW

BA0340 - EAVE ANGLE ATTACHMENT

[Download the DWG file by clicking here.](#)



EAVE ANGLE

REVERSE PURLIN WITH EAVE ANGLE

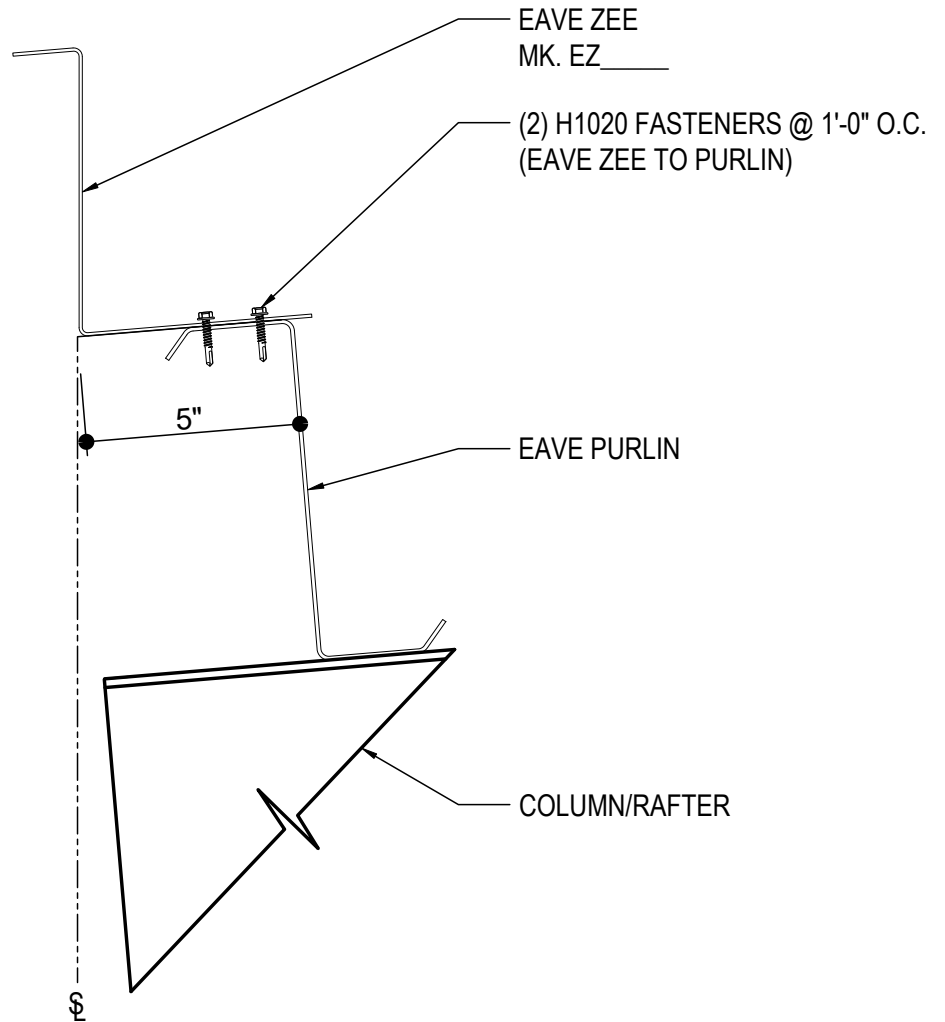
BA0340

Detailer Notes:

- 1) N/A

BA2000 - EAVE ZEE MEMBER FOR R-Boost™

[Download the DWG file by clicking here.](#)



R-Boost™ EAVE ZEE

EAVE ZEE ATTACHMENT AT LOW EAVE

BA2000

Detailer Notes:

- 1) USE WITH EVERY PROJECT WITH R-Boost™ ROOF SYSTEMS. THE EAVE ZEE IS TO BE INSTALLED AT TIME OF PURLIN INSTALLATION.