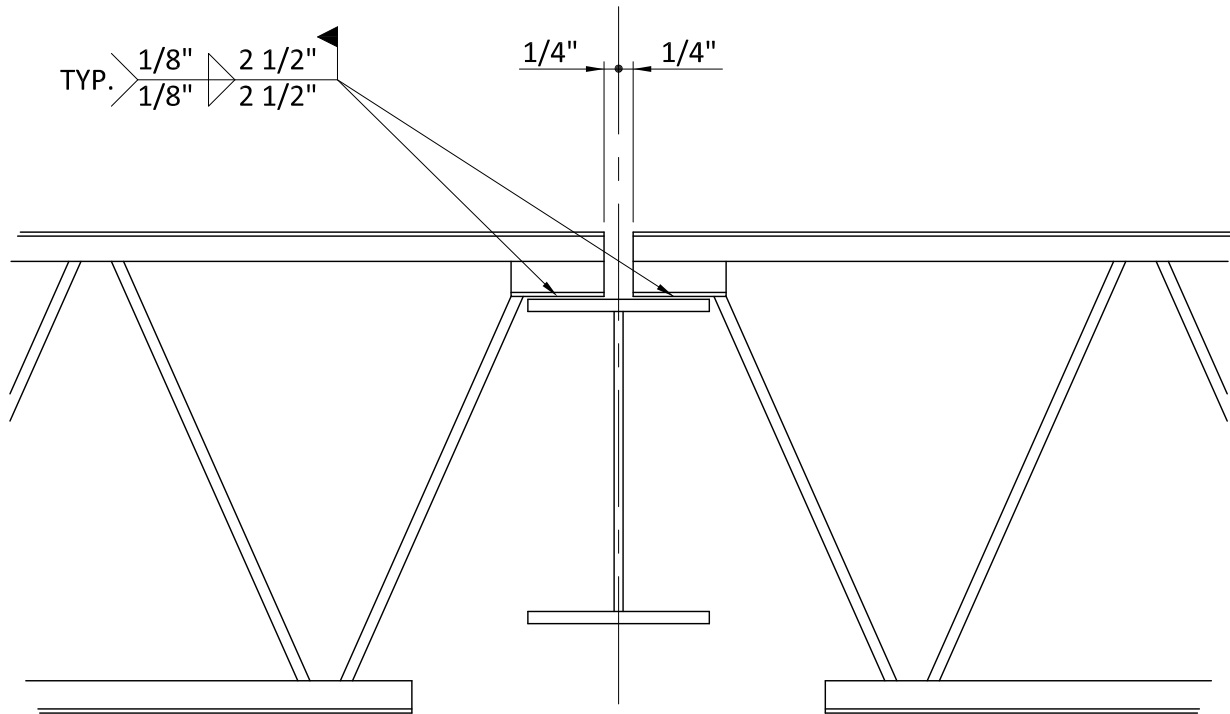


Product Manual - Bar Joist - Mezzanine

MZ01/AA, Typical Welded Connection
MZ02/AA, Typical Bolted Connection
MZ03/AA, Bar Joist to Beam Connection
MZ03A/AA, Bar Joist to Beam Connection
MZ04/AA, Bar Joist to Beam at Column Location
MZ04A/AA, Bar Joist to Beam at Column Location
MZ07/AA, Section at Deck Ends
MZ07B/AA, Pour Stop Detail at Full Height Column
MZ10/AA, Welded Horizontal Bridging Condition S
MZ10A/AA, Bolted Diagonal Bridging Condition S
MZ10B/AA, Bolted Horizontal Bridging Condition S
MZ11/AA, Welded Horizontal Bridging Termination Condition N
MZ11A/AA, Bolted Diagonal Bridging Termination Condition N
MZ11B/AA, Bolted Horizontal Bridging Termination Condition N
MZ12/AA, Welded Horizontal Bridging Termination at Wall System by Others Condition P
MZ12A/AA, Bolted Diagonal Bridging Termination at Wall System by Others Condition P
MZ12B/AA, Bolted Horizontal Bridging Termination Condition P
MZ13/AA, Welded Horizontal Bridging Termination Condition R
MZ13A/AA, Bolted Diagonal Bridging Termination Condition R
MZ13B/AA, Bolted Horizontal Bridging Termination Condition R
MZ20/AA, Joist Header Section
MZ21/AA, Mezzanine Joist Header Section
MZDB/AA, Mezzanine Diagonal X Bridging Reference Layout
MZHB/AA, Mezzanine Horizontal Bridging Reference Layout
MZOHA/AA, Mezzanine Bridging Conditions

Typical Welded Connection
Bar Joist to Mezzanine Beam
MZ01/AA



NOTE: FIELD WELDING REQUIRED,
SEE DETAIL ENFWA_.

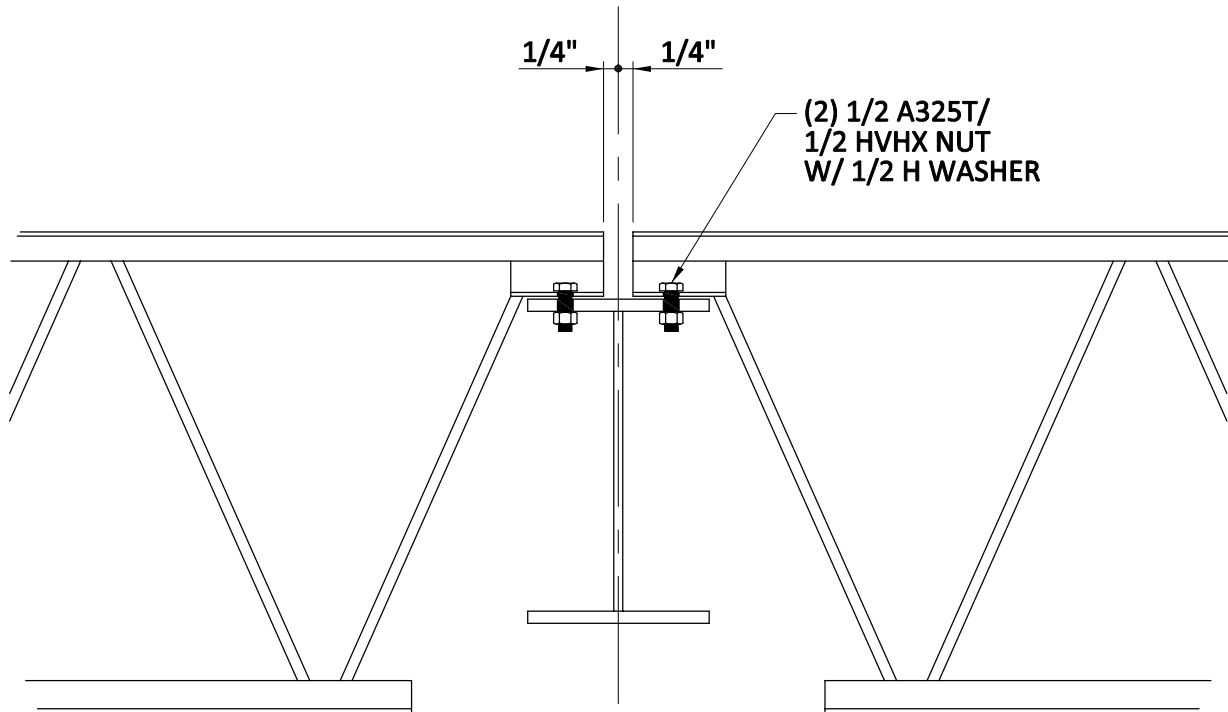
TYPICAL WELDED CONNECTION
BAR JOIST TO MEZZANINE BEAM

MZ01
AA

[Download the DWG file by clicking here.](#)

[To Section Index](#)

Typical Bolted Connection
Bar Joist to Mezzanine Beam
MZ02/AA



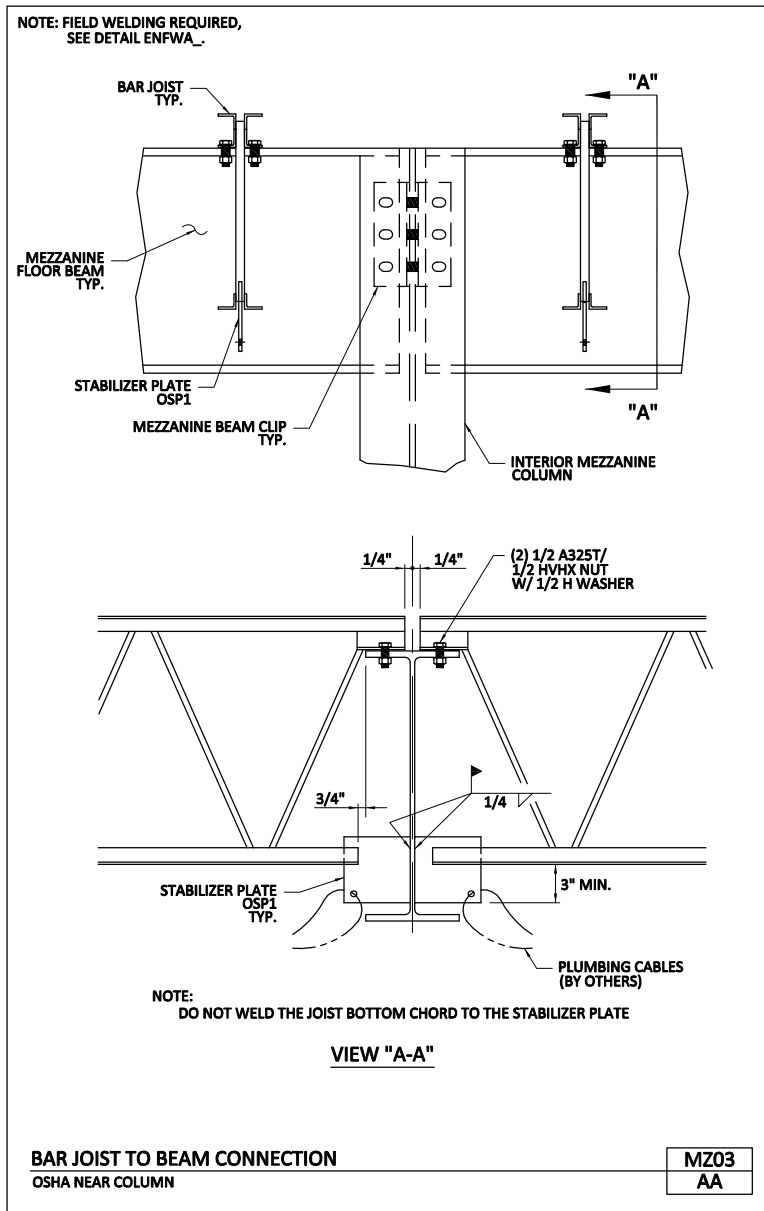
TYPICAL BOLTED CONNECTION
BAR JOIST TO MEZZANINE BEAM

MZ02
AA

[Download the DWG file by clicking here.](#)

[To Section Index](#)

Bar Joist to Beam Connection
 OSHA Near Column
 MZ03/AA

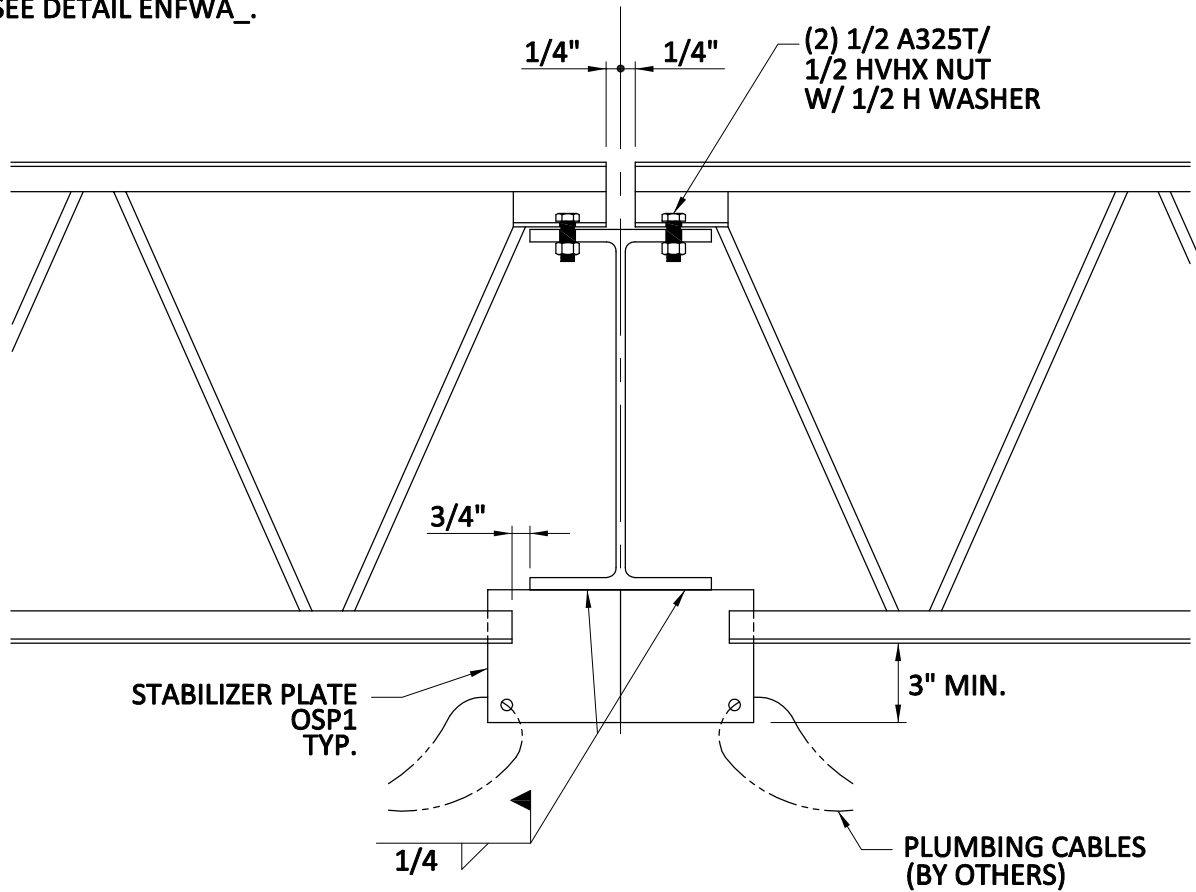


[Download the DWG file by clicking here.](#)

[To Section Index](#)

Bar Joist to Beam Connection
 OSHA Near Column
 MZ03A/AA

**NOTE: FIELD WELDING REQUIRED,
 SEE DETAIL ENFWA_.**



**NOTE:
 DO NOT WELD THE JOIST BOTTOM CHORD TO THE STABILIZER PLATE**

BAR JOIST TO BEAM CONNECTION

OSHA NEAR COLUMN

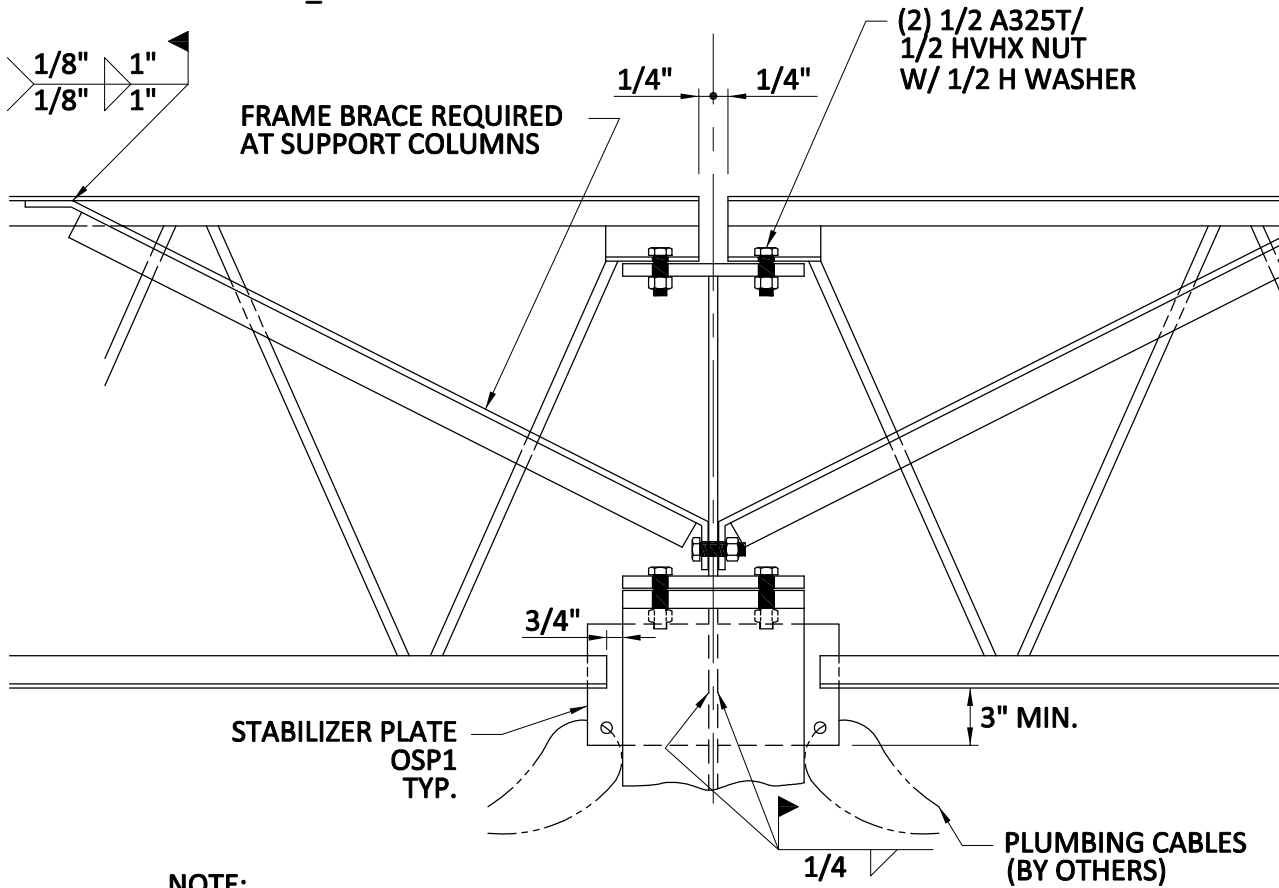
MZ03A
AA

[Download the DWG file by clicking here.](#)

[To Section Index](#)

Bar Joist to Beam at Column Location
 OSHA at Column
 MZ04/AA

**NOTE: FIELD WELDING REQUIRED,
 SEE DETAIL ENFWA_.**



NOTE:
 DO NOT WELD THE JOIST BOTTOM CHORD TO THE STABILIZER PLATE

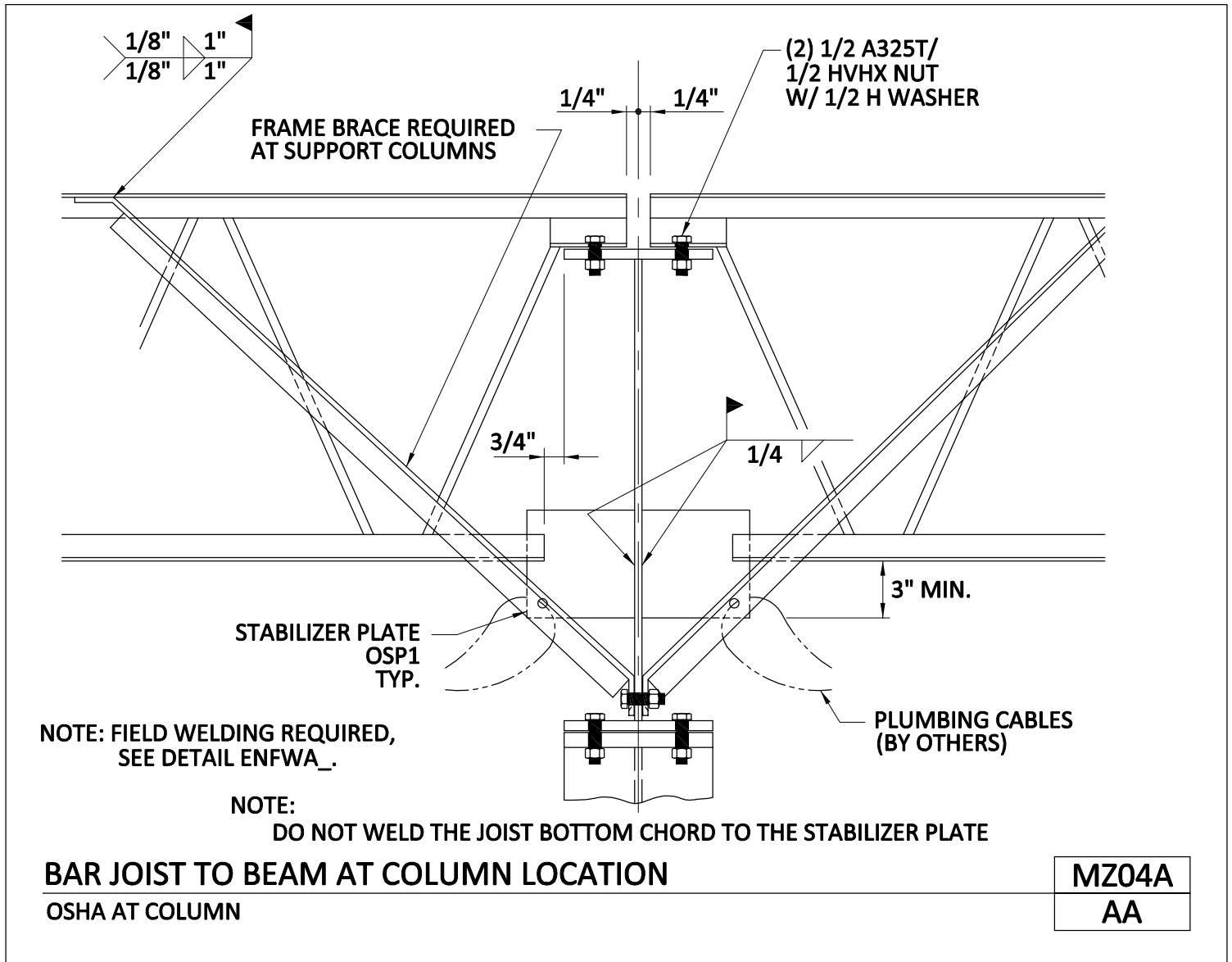
BAR JOIST TO BEAM AT COLUMN LOCATION
 OSHA AT COLUMN

MZ04
AA

[Download the DWG file by clicking here.](#)

[To Section Index](#)

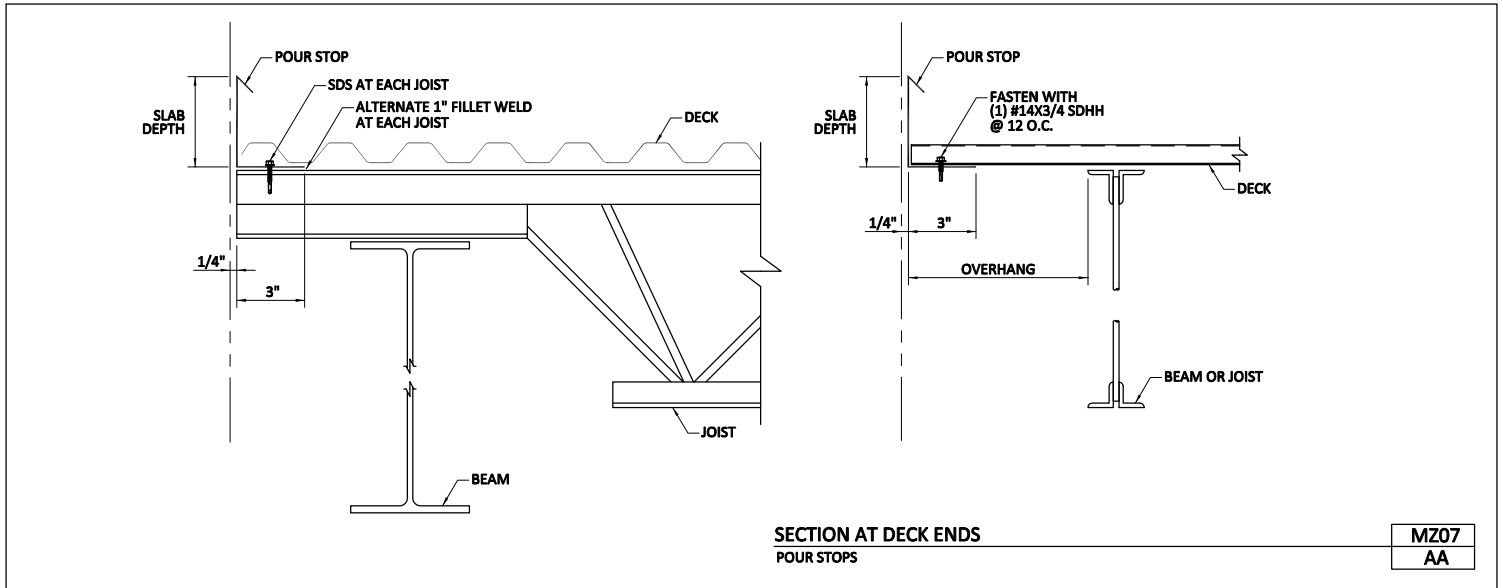
Bar Joist to Beam at Column Location
 OSHA at Column
 MZ04A/AA



[Download the DWG file by clicking here.](#)

[To Section Index](#)

Section at Deck Ends
Pour Stops
MZ07/AA



[Download the DWG file by clicking here.](#)

[To Section Index](#)

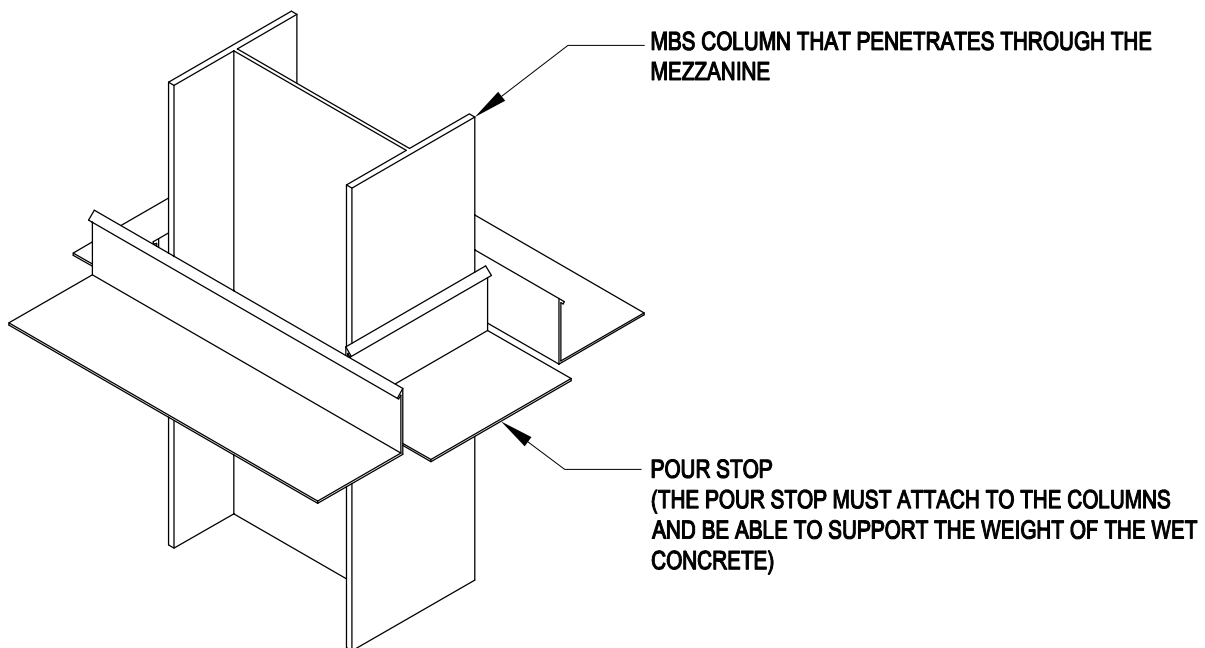
Pour Stop Detail at Full Height Column

MZ07B/AA

ERECTOR NOTE:

THIS DETAIL IS INTENDED TO SHOW YOU THAT POUR STOP MATERIAL HAS BEEN PROVIDED TO BE USED AROUND THE PERIMETER OF ANY MBS COLUMNS THAT PENETRATE THROUGH THE MEZZANINE.

BECAUSE CONDITIONS VARY GREATLY, AN ATTACHMENT METHOD IS NOT SHOWN. THE ATTACHMENT IS NOT DESIGNED OR PROVIDED BY MBS.



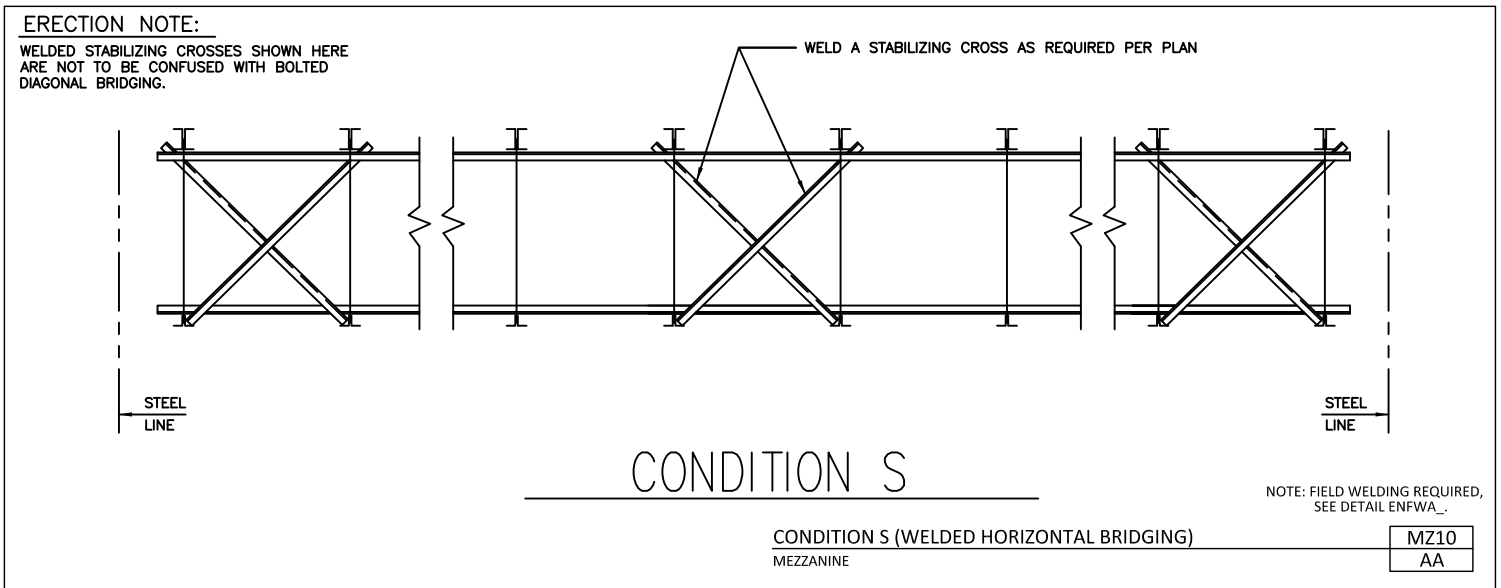
POUR STOP DETAIL AT FULL HEIGHT COLUMN

MZ07B
AA

[Download the DWG file by clicking here.](#)

[To Section Index](#)

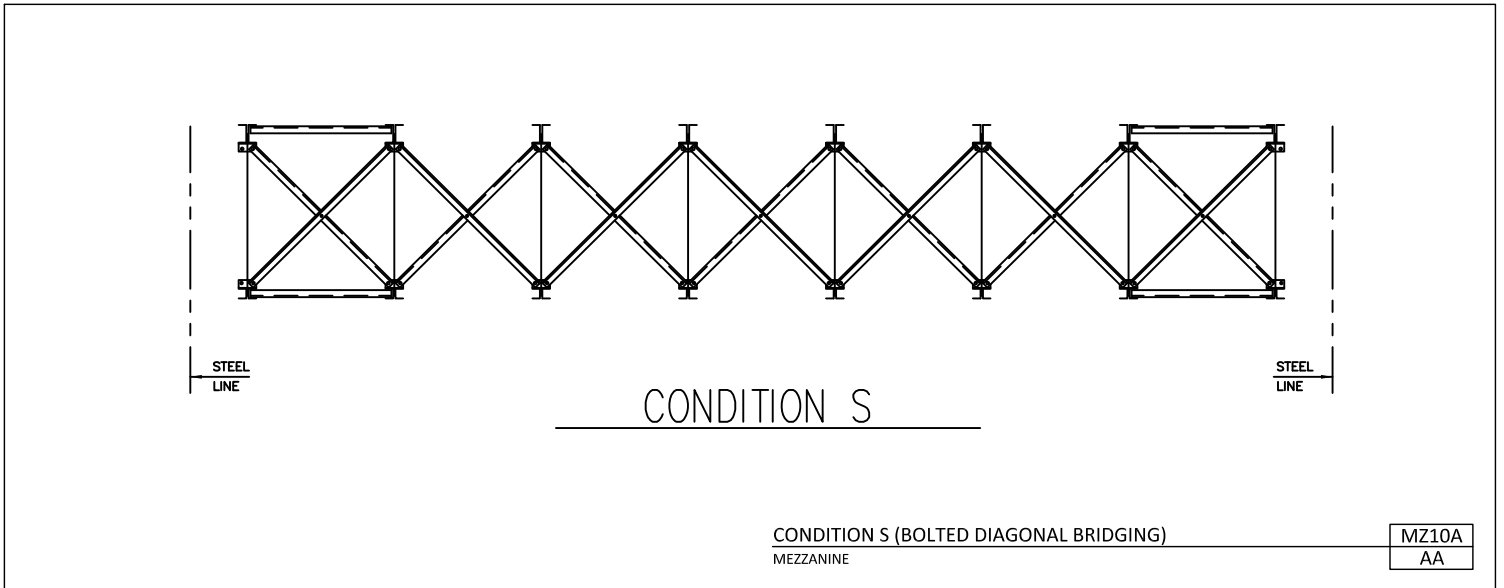
Welded Horizontal Bridging Condition S
Mezzanine
MZ10/AA



[Download the DWG file by clicking here.](#)

[To Section Index](#)

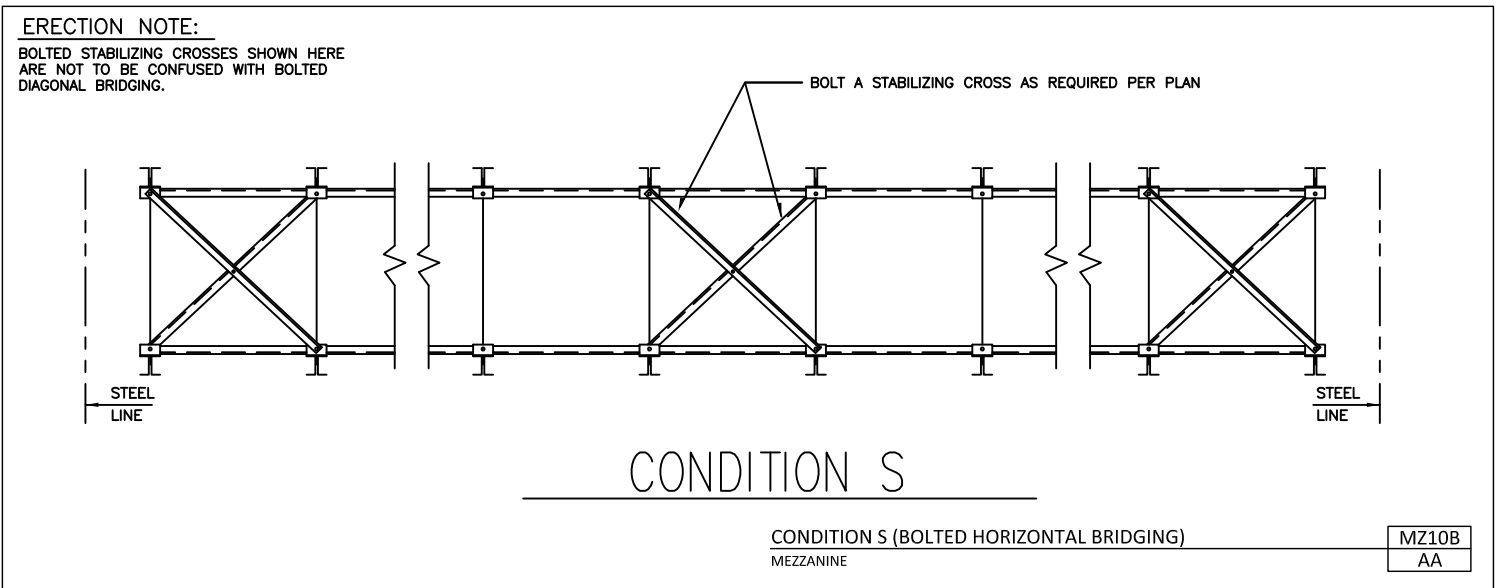
Bolted Diagonal Bridging Condition S
Mezzanine
MZ10A/AA



[Download the DWG file by clicking here.](#)

[To Section Index](#)

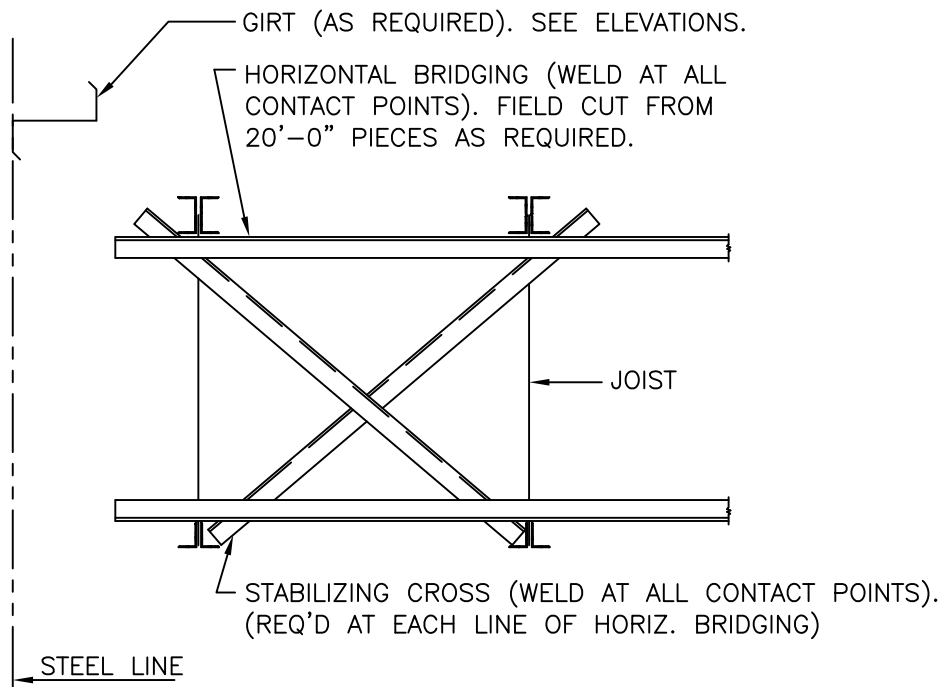
Bolted Horizontal Bridging Condition S
Mezzanine
MZ10B/AA



[Download the DWG file by clicking here.](#)

[To Section Index](#)

Welded Horizontal Bridging Termination Condition N
Mezzanine
MZ11/AA



CONDITION N

NOTE: FIELD WELDING REQUIRED,
SEE DETAIL ENFWA_.

CONDITION N (WELDED HORIZONTAL BRIDGING)

MEZZANINE TERMINATION AT GIRT WALL

MZ11

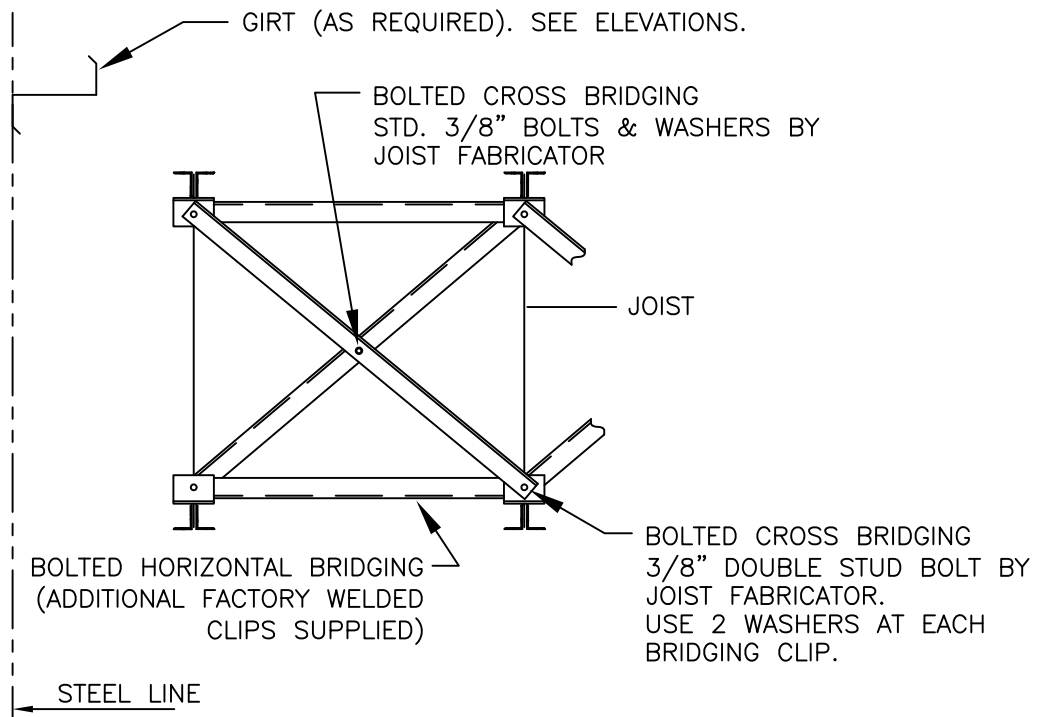
AA

REF. DETAIL [MZ10AA](#)

[Download the DWG file by clicking here.](#)

[To Section Index](#)

Bolted Diagonal Bridging Termination Condition N
Mezzanine
MZ11A/AA



CONDITION N

CONDITION N (BOLTED DIAGONAL BRIDGING)
MEZZANINE TERMINATION AT GIRT WALL

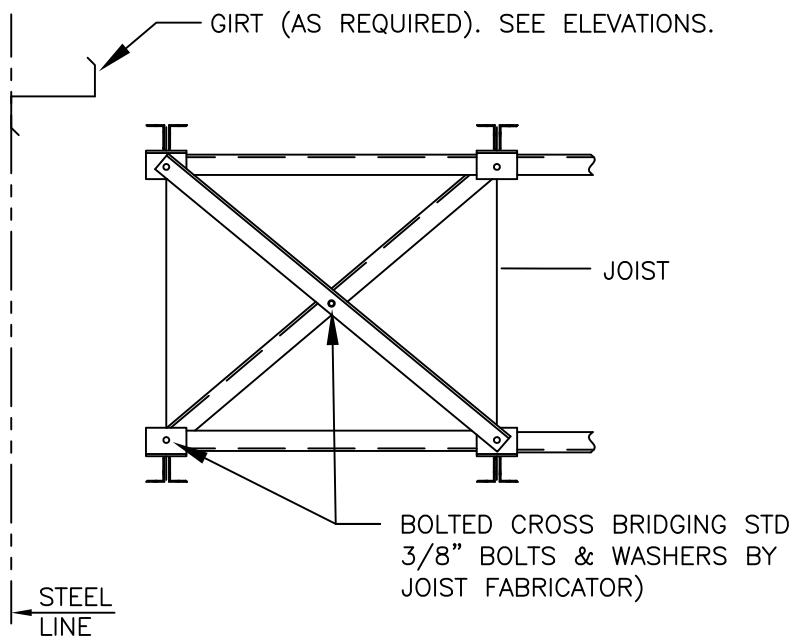
MZ11A
AA

REF. DETAIL [MZ10AAA](#)

[Download the DWG file by clicking here.](#)

[To Section Index](#)

Bolted Horizontal Bridging Termination Condition N
Mezzanine
MZ11B/AA



CONDITION N

CONDITION N (BOLTED HORIZONTAL BRIDGING)

MEZZANINE TERMINATION AT GIRTS WALL

MZ11B

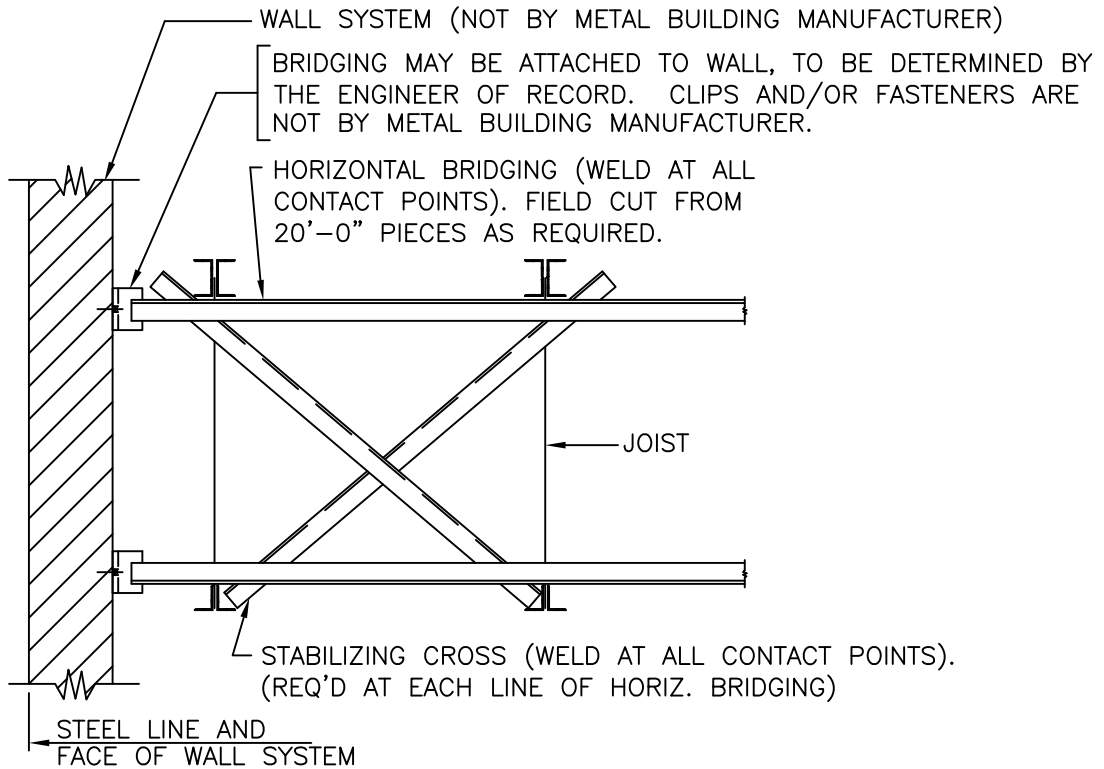
AA

REF. DETAIL [MZ10BAA](#)

[Download the DWG file by clicking here.](#)

[To Section Index](#)

Welded Horizontal Bridging Termination at Wall System by Others Condition P
Mezzanine
MZ12/AA



CONDITION P

NOTE: FIELD WELDING REQUIRED,
SEE DETAIL ENFWA_.

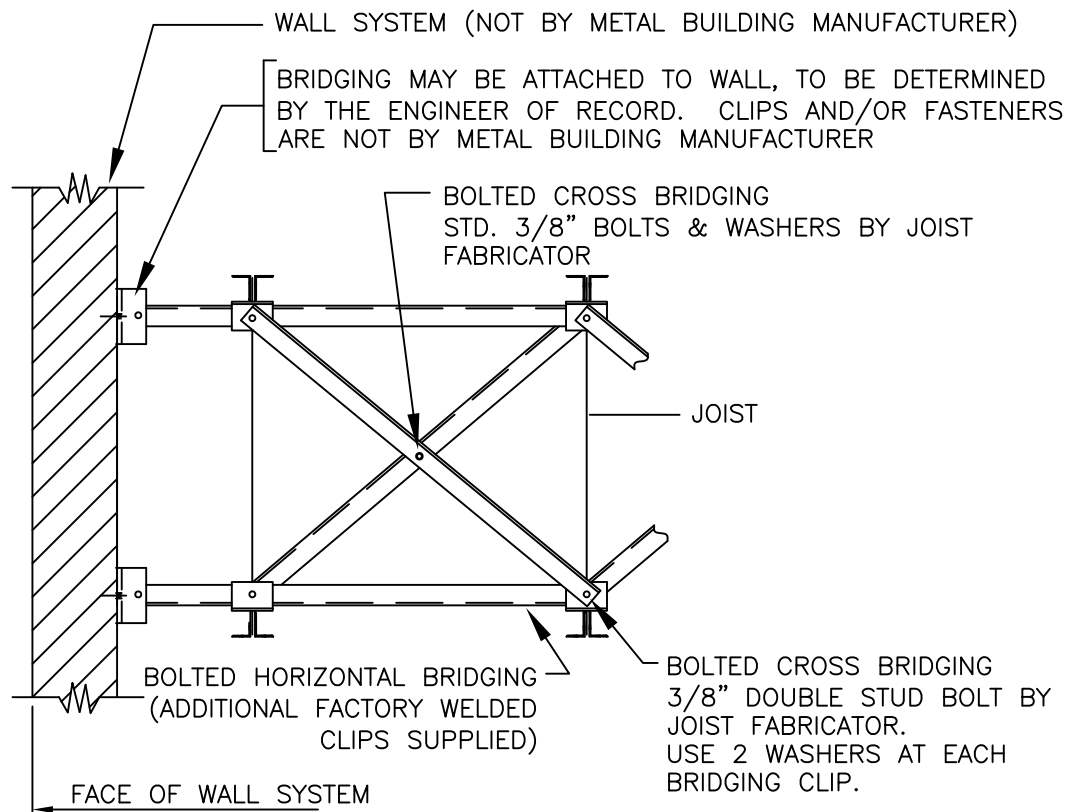
CONDITION P (WELDED HORIZONTAL BRIDGING)
MEZZANINE TERMINATION AT ALTERNATE WALL

MZ12
AA

[Download the DWG file by clicking here.](#)

[To Section Index](#)

Bolted Diagonal Bridging Termination at Wall System by Others Condition P
Mezzanine
MZ12A/AA



CONDITION P

CONDITION P (BOLTED DIAGONAL BRIDGING)

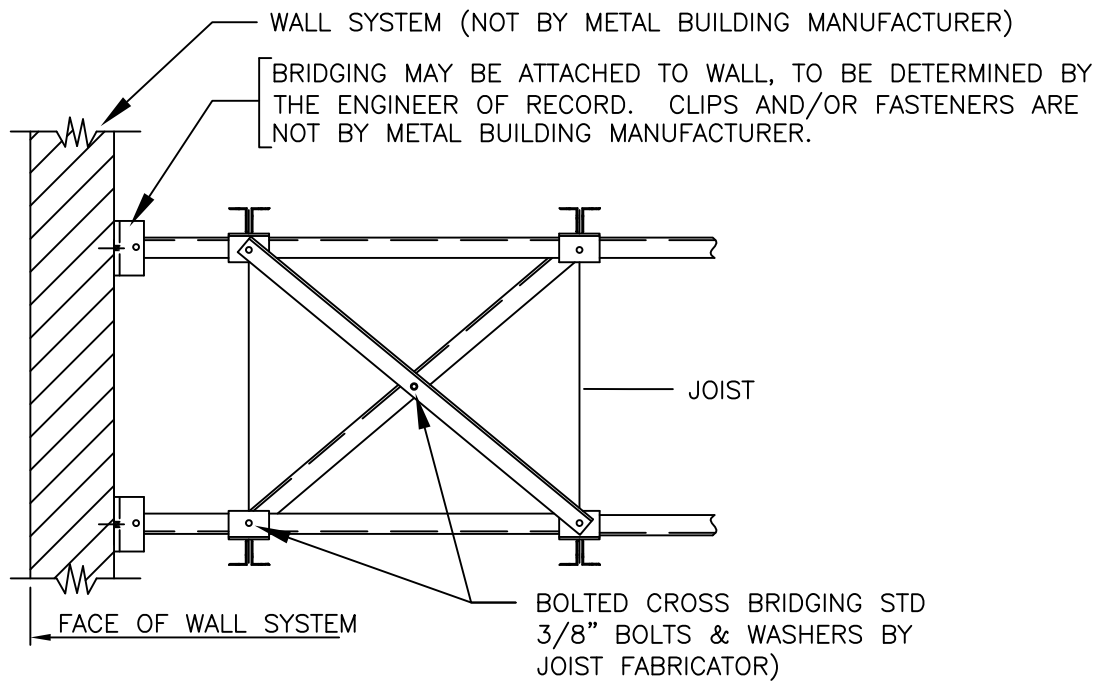
MEZZANINE TERMINATION AT ALTERNATE WALL

MZ12A
AA

[Download the DWG file by clicking here.](#)

[To Section Index](#)

Bolted Horizontal Bridging Termination Condition P
Mezzanine
MZ12B/AA



CONDITION P

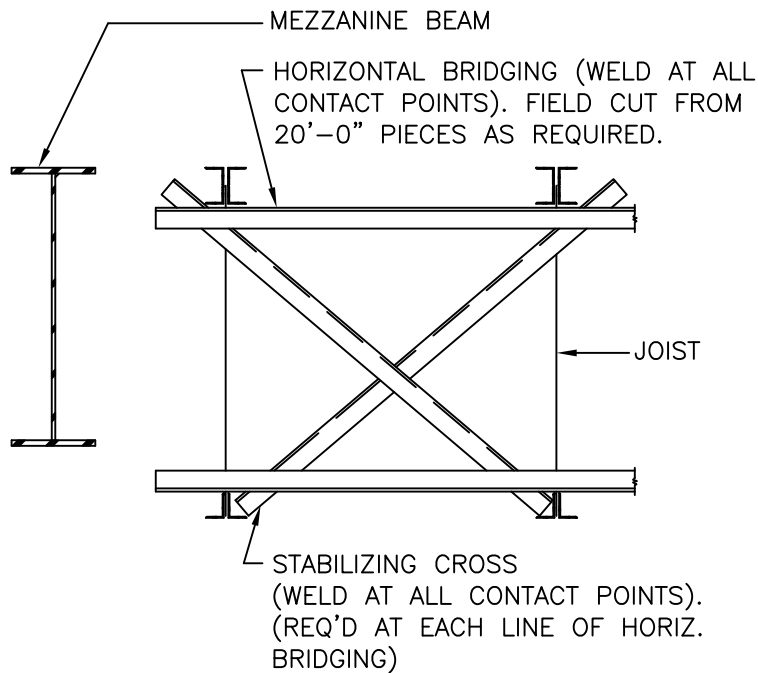
CONDITION P (BOLTED HORIZONTAL BRIDGING)
MEZZANINE TERMINATION AT ALTERNATE WALL

MZ12B
AA

[Download the DWG file by clicking here.](#)

[To Section Index](#)

Welded Horizontal Bridging Termination Condition R
Mezzanine
MZ13/AA



CONDITION R

NOTE: FIELD WELDING REQUIRED,
SEE DETAIL ENFWA_.

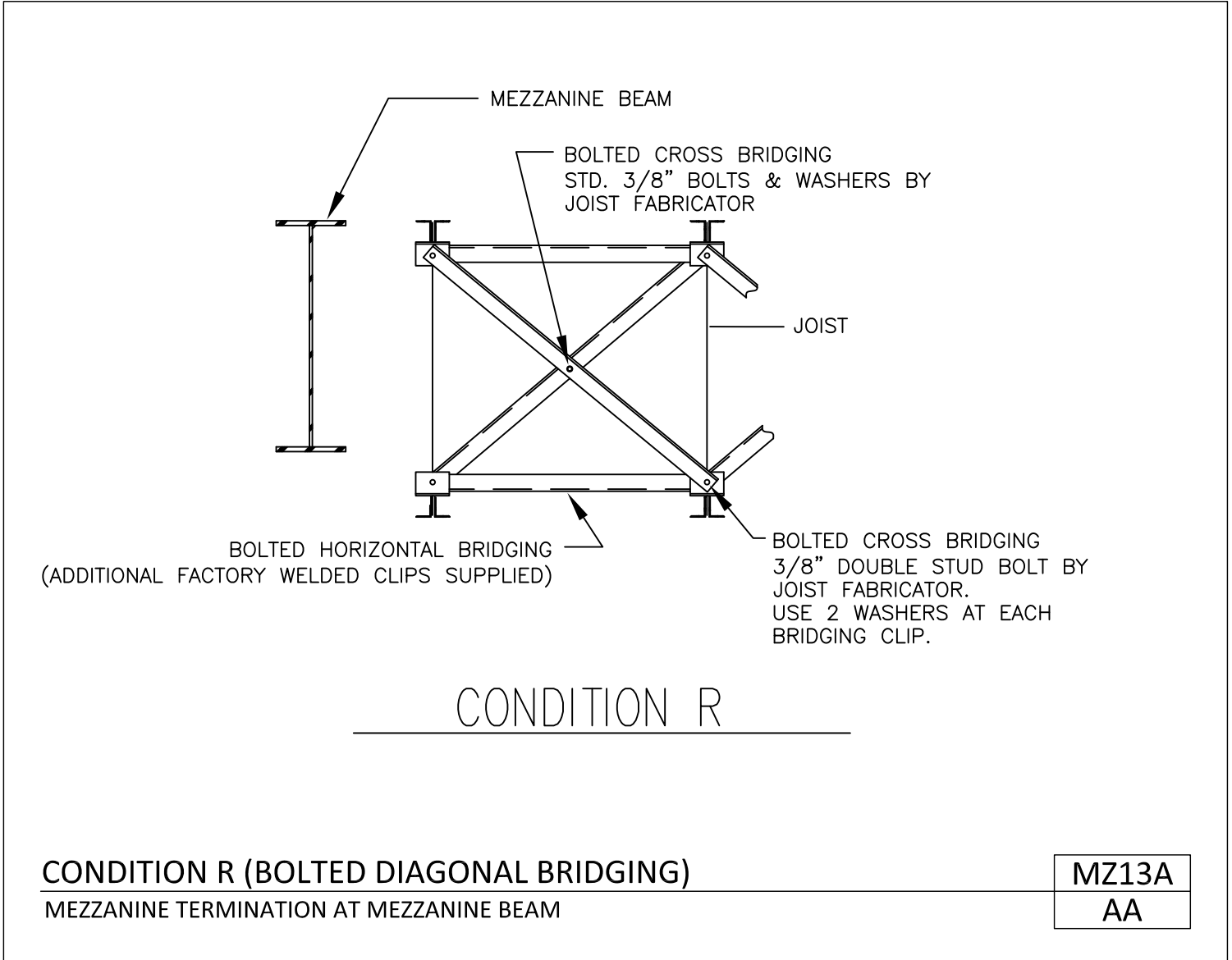
CONDITION R (WELDED HORIZONTAL BRIDGING)
MEZZANINE TERMINATION AT MEZZANINE BEAM

MZ13
AA

[Download the DWG file by clicking here.](#)

[To Section Index](#)

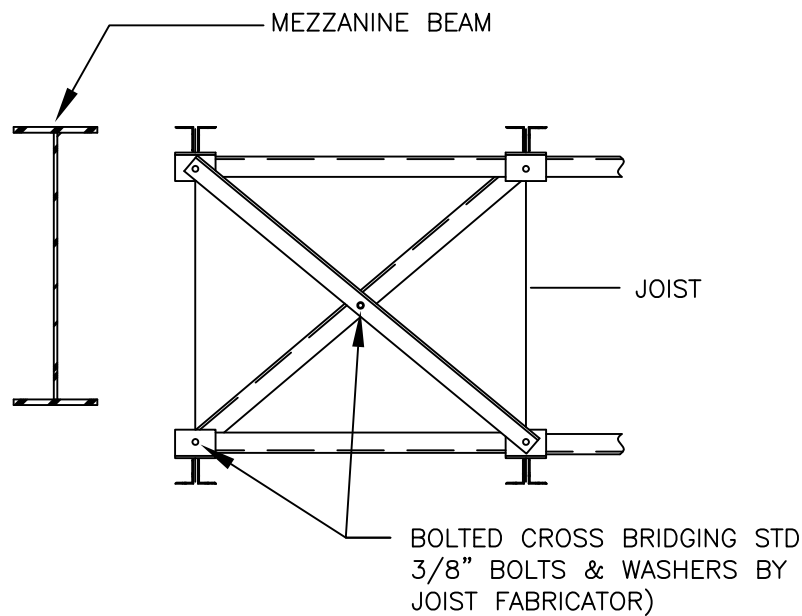
Bolted Diagonal Bridging Termination Condition R
Mezzanine
MZ13A/AA



[Download the DWG file by clicking here.](#)

[To Section Index](#)

Bolted Horizontal Bridging Termination Condition R
Mezzanine
MZ13B/AA



CONDITION R

CONDITION R (BOLTED HORIZONTAL BRIDGING)
MEZZANINE TERMINATION AT MEZZANINE BEAM

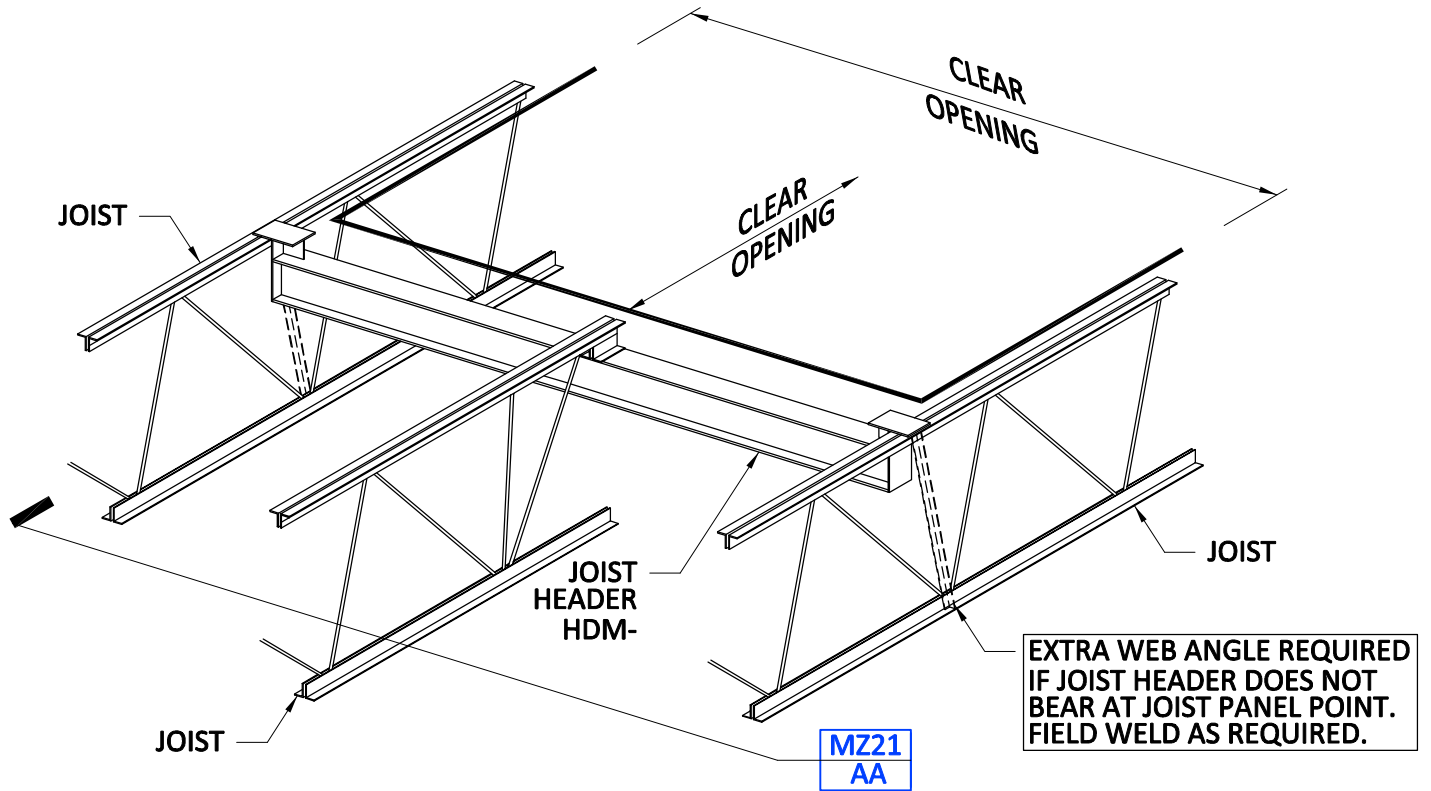
MZ13B
AA

[Download the DWG file by clicking here.](#)

[To Section Index](#)

Joist Header Section
Floor Joist
MZ20/AA

**NOTE: FIELD WELDING REQUIRED,
SEE DETAIL ENFWA_.**



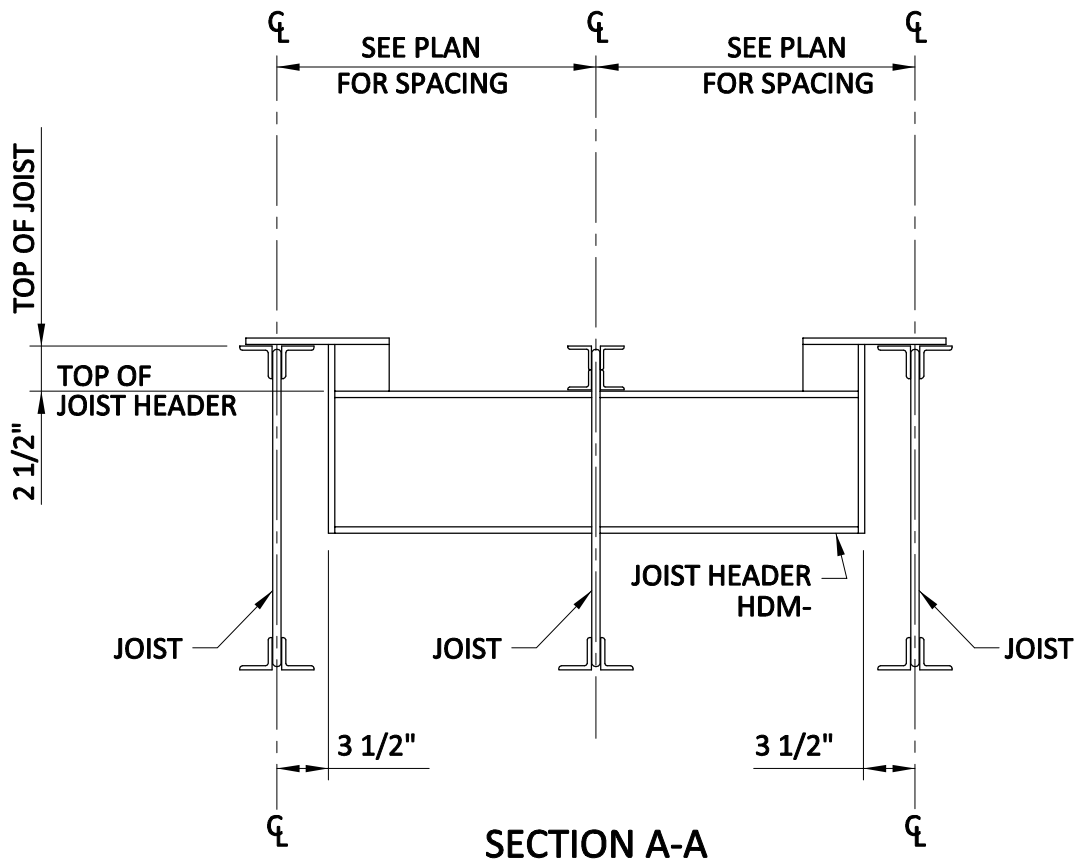
JOIST HEADER SECTION
FLOOR JOIST

MZ20
AA

[Download the DWG file by clicking here.](#)

[To Section Index](#)

Mezzanine Joist Header Section
Floor Joist
MZ21/AA



MEZZANINE JOIST HEADER SECTION
FLOOR JOIST

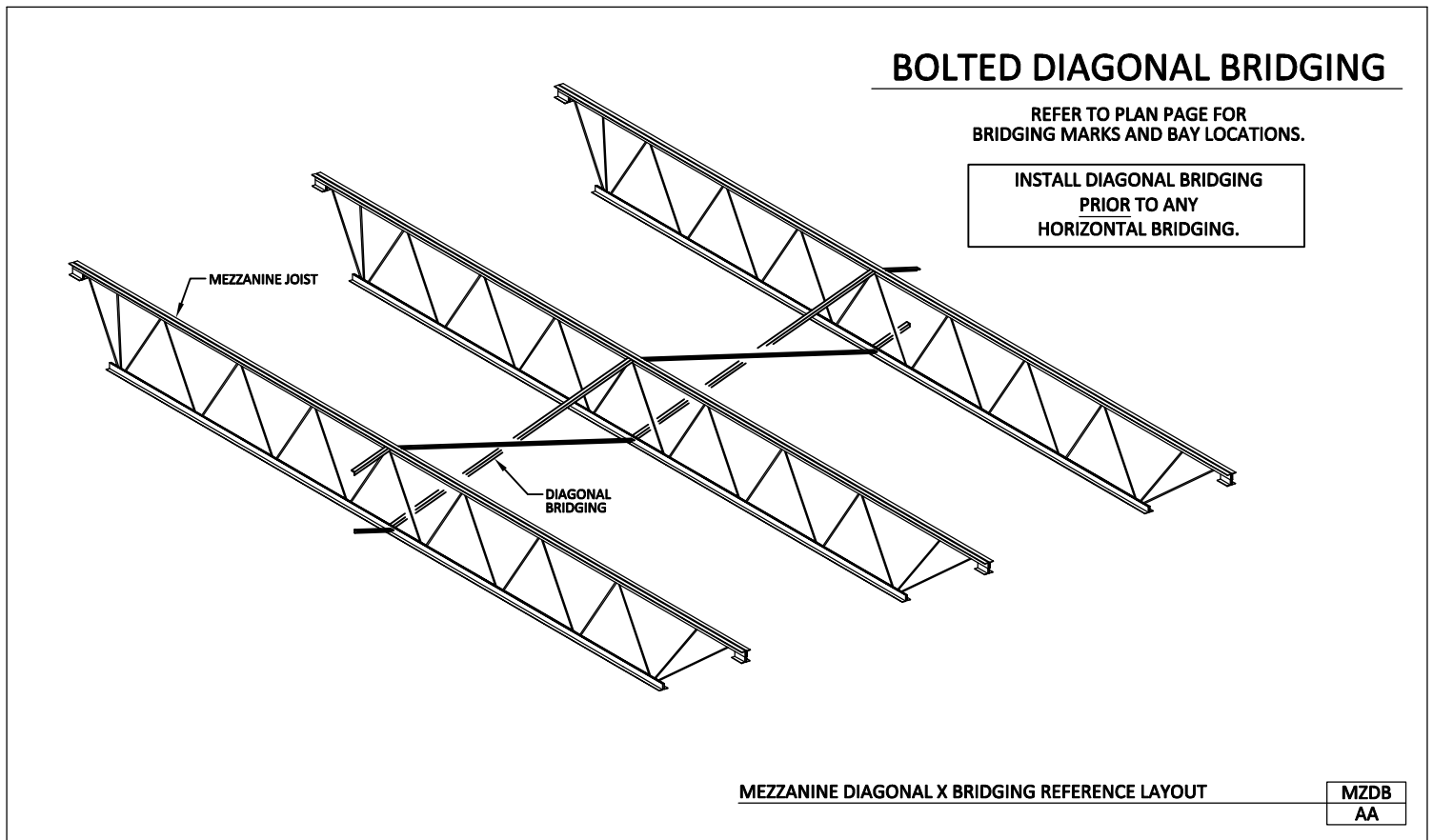
MZ21
AA

[Download the DWG file by clicking here.](#)

[To Section Index](#)

Mezzanine Diagonal X Bridging Reference Layout

MZDB/AA

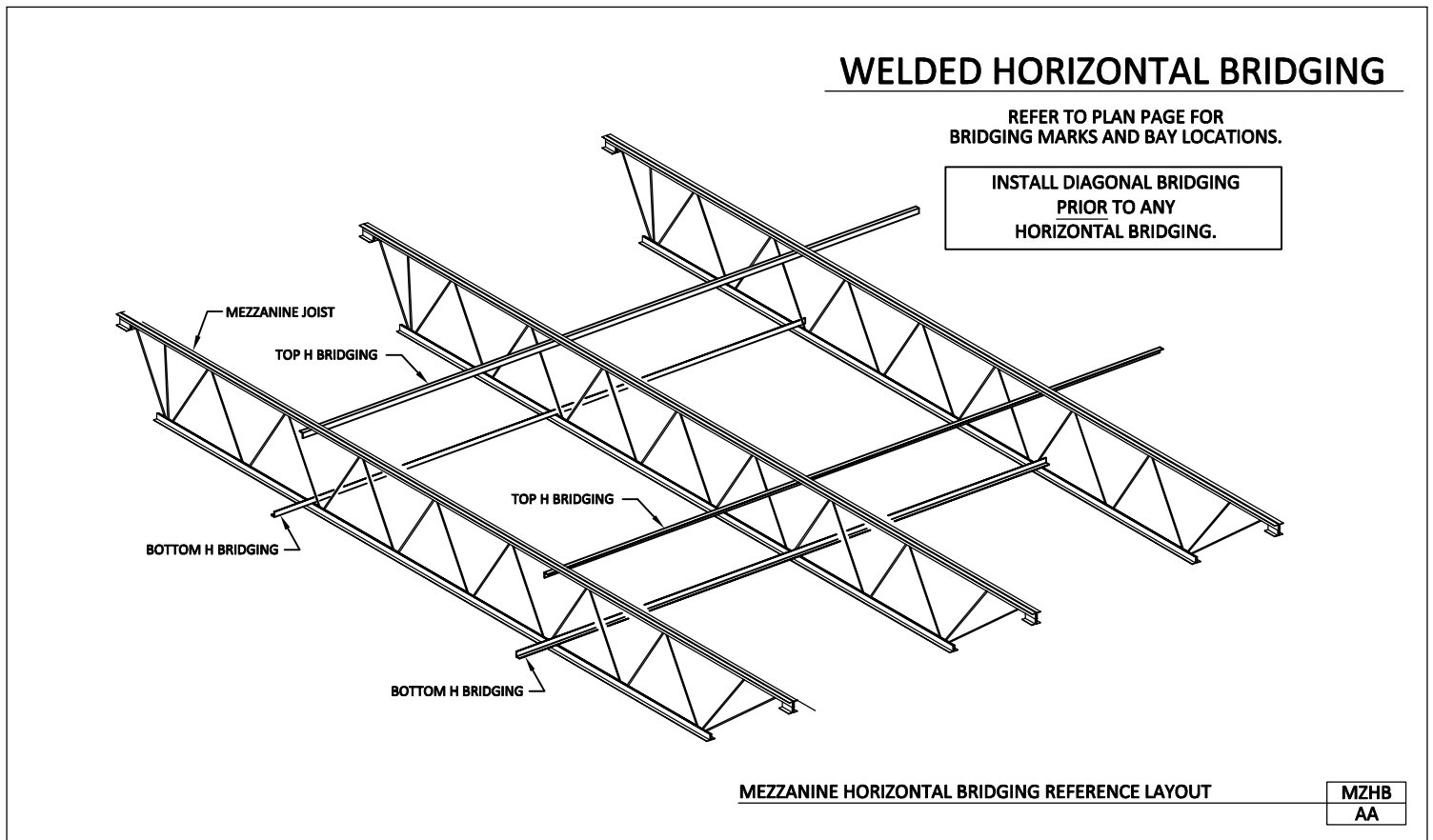


[Download the DWG file by clicking here.](#)

[To Section Index](#)

Mezzanine Horizontal Bridging Reference Layout

MZHB/AA

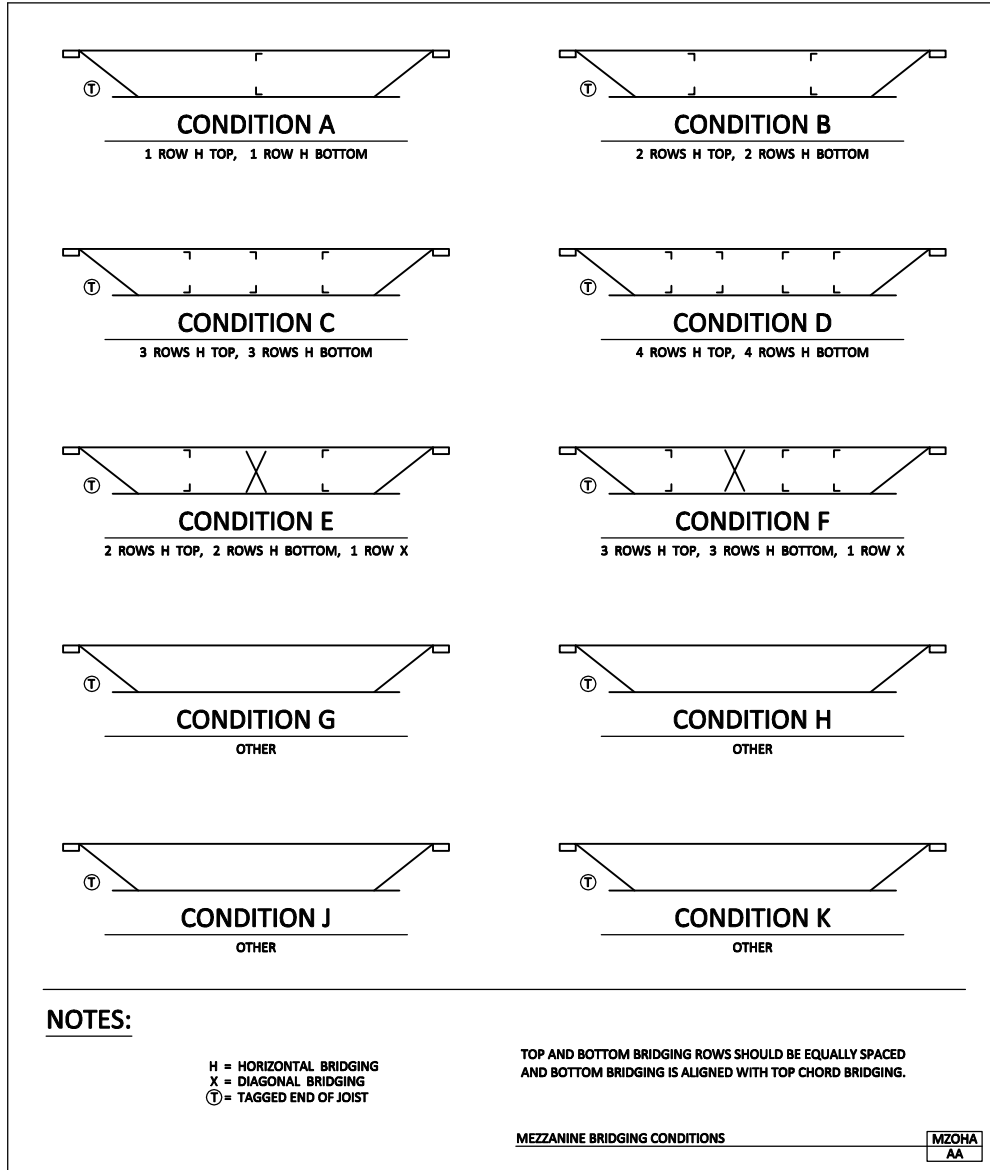


[Download the DWG file by clicking here.](#)

[To Section Index](#)

Mezzanine Bridging Conditions

MZOHA/AA



[Download the DWG file by clicking here.](#)

[To Section Index](#)