

**WELDED CONNECTIONS**

- BG1000 - WELDED JOIST CONNECTION AT RAFTERS
- BG1010 - WELDED STRUT JOIST CONNECTIONS
- BG1100 - NEW JOIST TIE-IN CONNECTION TO EXISTING END FRAME
- BG1200 - INTERIOR ROOF JOIST AT STRUCTURAL EXPANSION

**BOLTED CONNECTIONS**

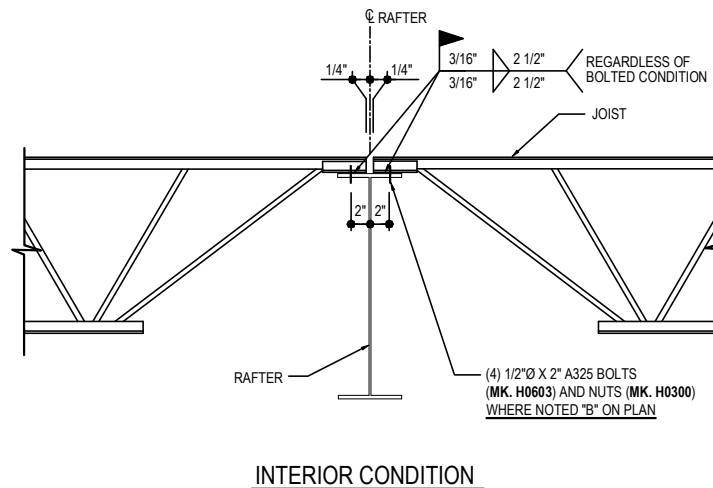
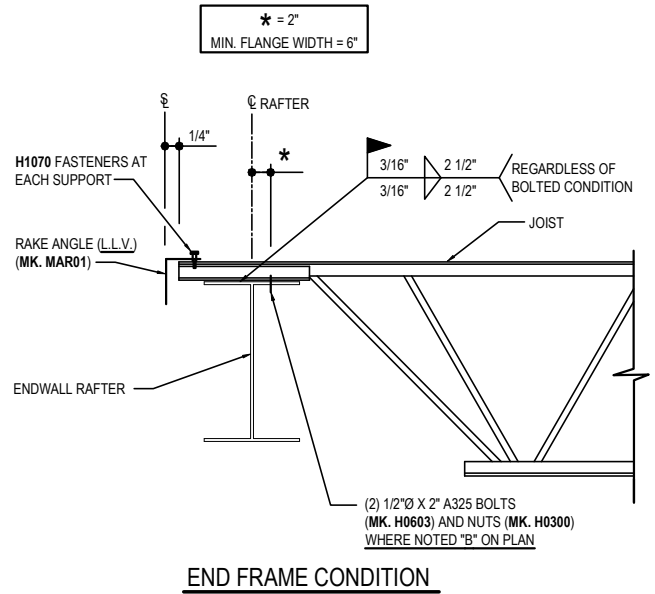
- BG2000 - BOLTED JOIST CONNECTION AT RAFTERS
- BG2010 - BOLTED STRUT JOIST CONNECTION AT RAFTERS (WITH 1/2"Ø BOLTS)
- BG2020 - BOLTED STRUT JOIST CONNECTION AT RAFTERS (WITH 3/4"Ø BOLTS)
- BG2030 - BOLTED STRUT JOIST CONNECTION AT RAFTERS (WITH WELD)
- BG2100 - NEW JOIST TIE-IN CONNECTION TO EXISTING END FRAME
- BG2200 - INTERIOR ROOF JOIST AT STRUCTURAL EXPANSION

**MASONRY CONNECTIONS**

- BG3000 - JOIST CONNECTION AT MASONRY END SUPPORT
  - BG3010 - JOIST CONNECTION AT MASONRY INTERIOR SUPPORT
-

**BG1000 - WELDED JOIST CONNECTION AT RAFTERS**

[Download the DWG file by clicking here.](#)



**JOIST CONNECTION DETAIL**

SHORTSPAN WELDED ROOF JOIST SYSTEM  
REFERENCE ERECTOR NOTE FOR TYPICAL WASHER REQUIREMENTS

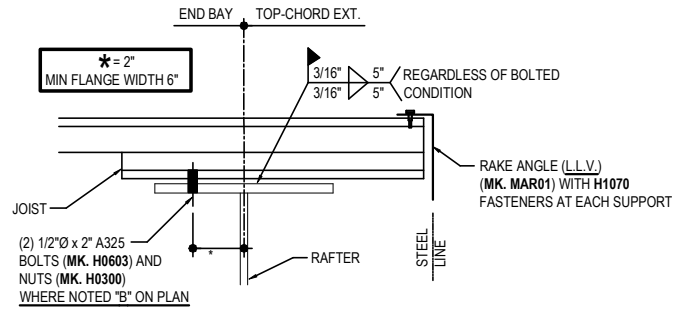
**BG1000**

**Detailer Notes:**

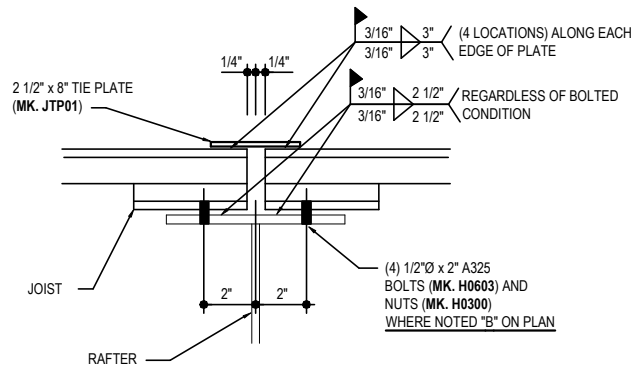
- 1) N/A

**BG1010 - WELDED STRUT JOIST CONNECTIONS**

[Download the DWG file by clicking here.](#)



**END FRAME CONDITION**



**INTERIOR CONDITION**

FOR WELDED ROOF JOIST SYSTEM.  
APPLIES ONLY TO LOCATIONS DESIGNATED  
WITH RELATED SQUARE SYMBOL.

**STRUT JOIST CONNECTIONS**

SHORTSPAN WELDED ROOF JOIST SYSTEM WITH WELD AT RAFTER  
REFERENCE ERECTOR NOTE FOR TYPICAL WASHER REQUIREMENTS

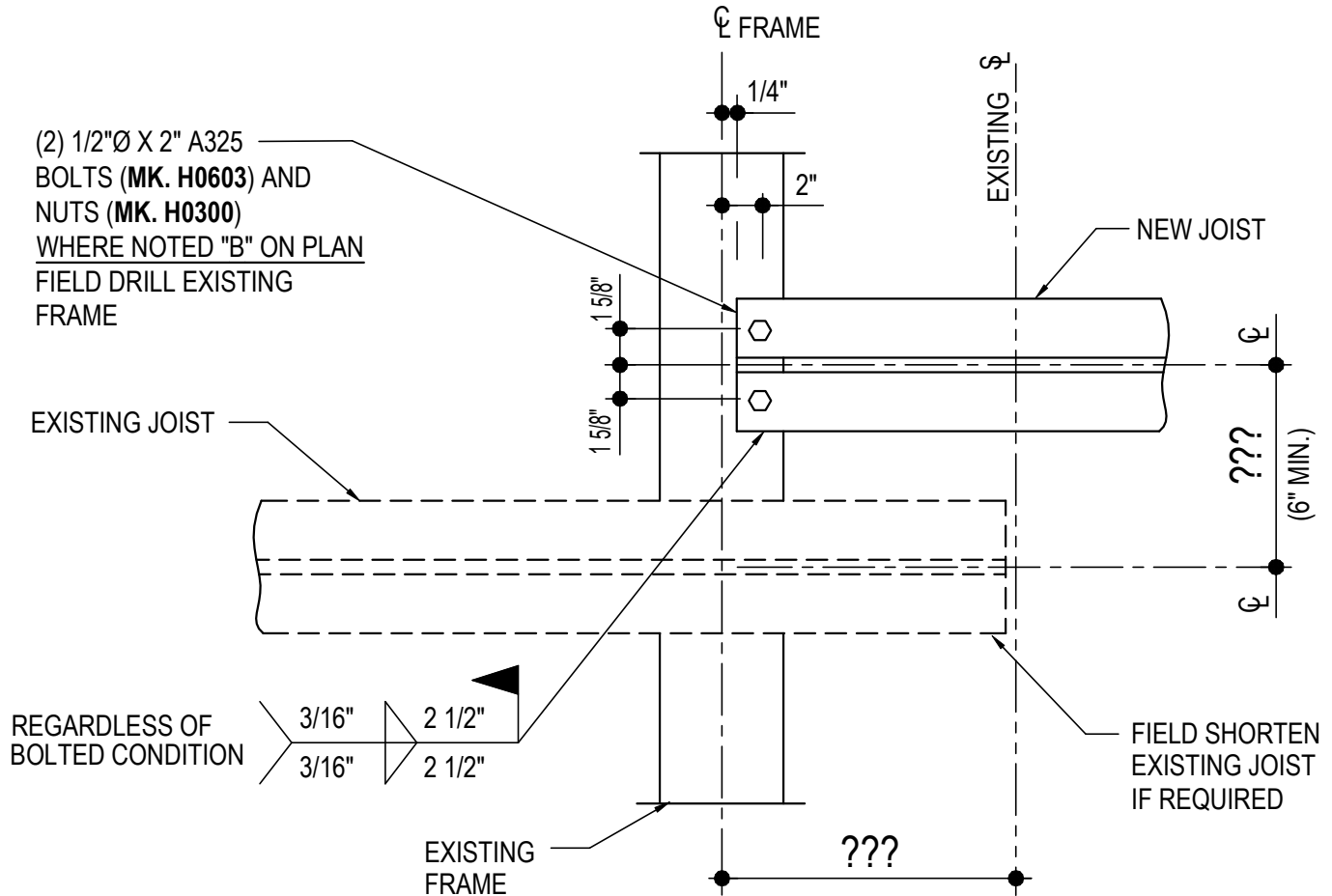
**BG1010**

Detailer Notes:

- 1) N/A

BG1100 - NEW JOIST TIE-IN CONNECTION TO EXISTING END FRAME

[Download the DWG file by clicking here.](#)



**NEW JOIST TIE-IN CONNECTION TO EXISTING END FRAME**

SHORTSPAN ROOF JOIST AT EXISTING END FRAME (WELDED SYSTEM)  
REFERENCE ERECTOR NOTE FOR TYPICAL WASHER REQUIREMENTS

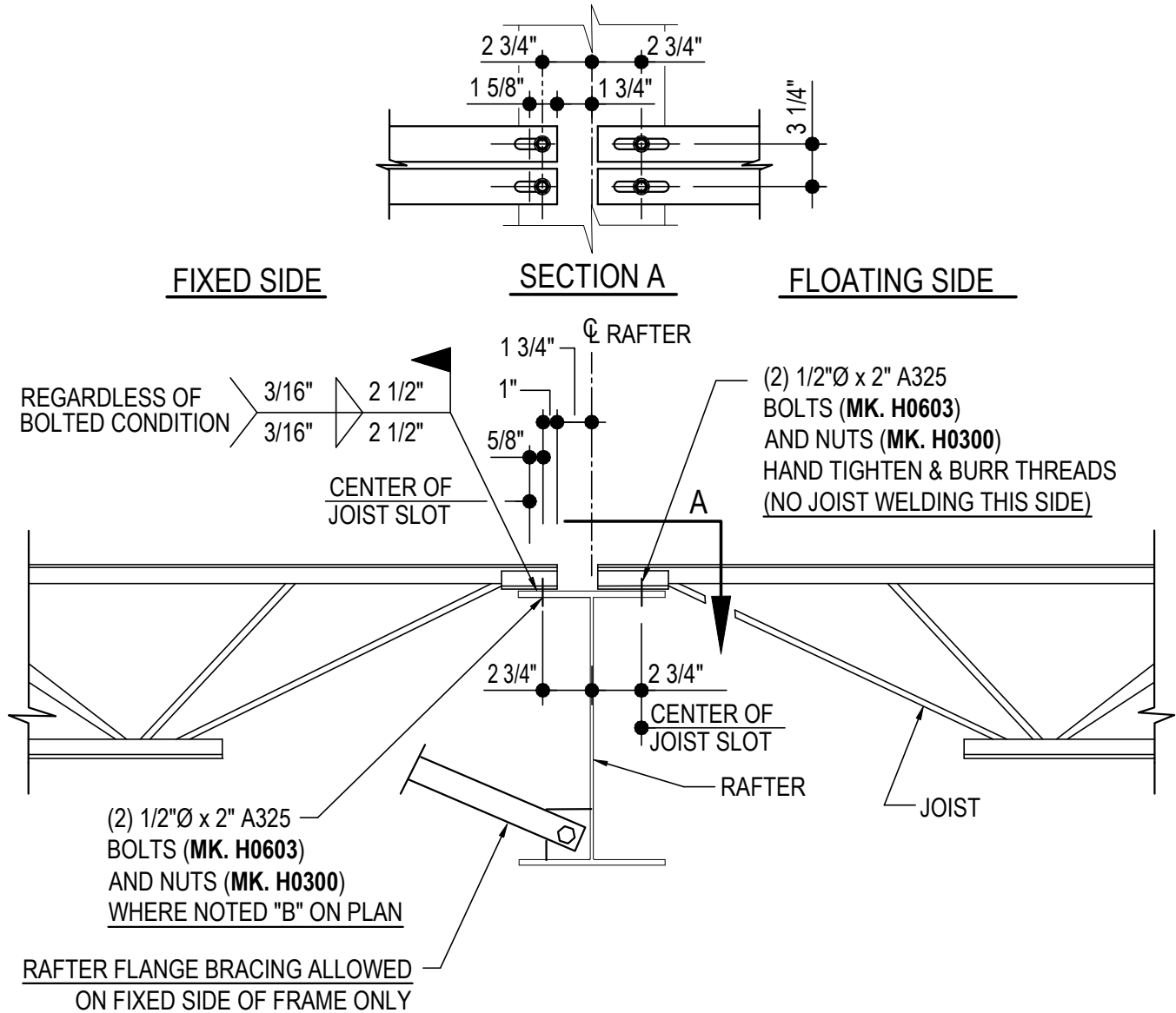
**BG1100**

Detailer Notes:

1) THIS DETAIL UTILIZES ATTRIBUTES. TO ACCESS ATTRIBUTES DOUBLE CLICK ON THE DETAIL.

BG1200 - INTERIOR ROOF JOIST AT STRUCTURAL EXPANSION

[Download the DWG file by clicking here.](#)



**INTERIOR JOIST CONNECTION DETAIL**

SHORTSPAN ROOF JOIST AT STRUCTURAL EXPANSION (WELDED SYSTEM)  
REFERENCE ERECTOR NOTE FOR TYPICAL WASHER REQUIREMENTS

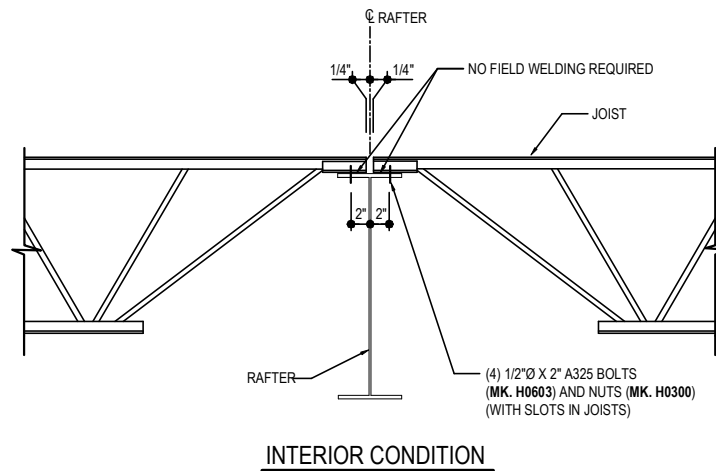
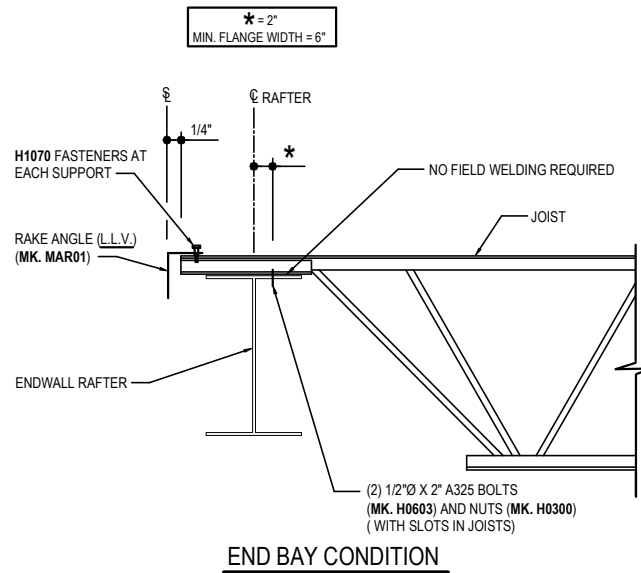
**BG1200**

Detailer Notes:

- 1) THIS CONDITION WILL ALWAYS REQUIRE COORDINATION WITH VULCRAFT. SEE DETAILING PROCEDURE MANUAL FOR FURTHER INFORMATION.

**BG2000 - BOLTED JOIST CONNECTION AT RAFTERS**

[Download the DWG file by clicking here.](#)



**JOIST CONNECTION DETAIL**

SHORTSPAN BOLTED ROOF JOIST SYSTEM  
REFERENCE ERECTOR NOTE FOR TYPICAL WASHER REQUIREMENTS

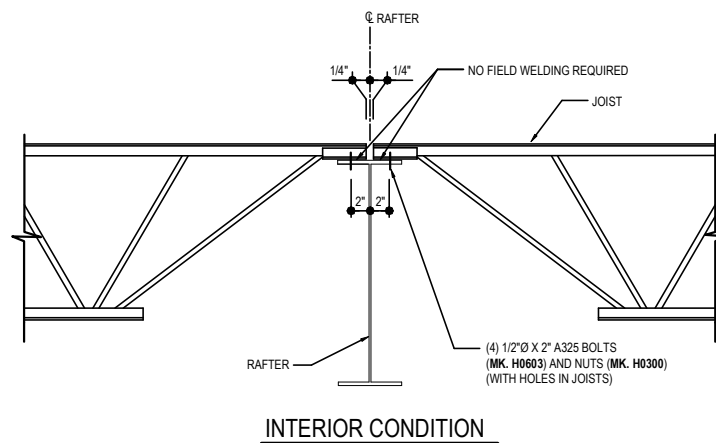
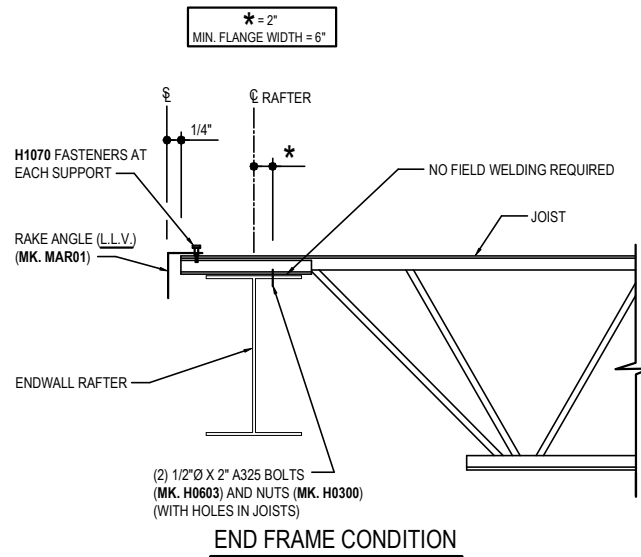
**BG2000**

**Detailer Notes:**

- 1) THIS IS OUR STANDARD BOLTED JOIST CONNECTION WITH SLOTS IN THE JOISTS.

**BG2010 - BOLTED STRUT JOIST CONNECTION AT RAFTERS (WITH 1/2"Ø BOLTS)**

[Download the DWG file by clicking here.](#)



FOR BOLTED ROOF JOIST SYSTEM.  
APPLIES ONLY TO LOCATIONS DESIGNATED  
WITH RELATED TRIANGLE SYMBOL.

**STRUT JOIST CONNECTION DETAIL**

SHORTSPAN BOLTED ROOF JOIST SYSTEM  
REFERENCE ERECTOR NOTE FOR TYPICAL WASHER REQUIREMENTS

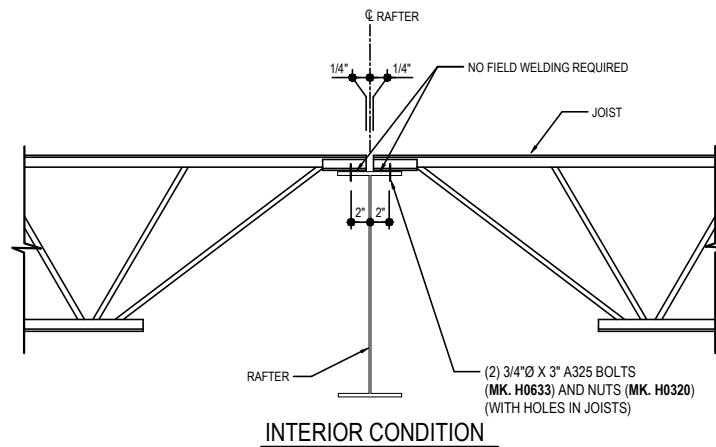
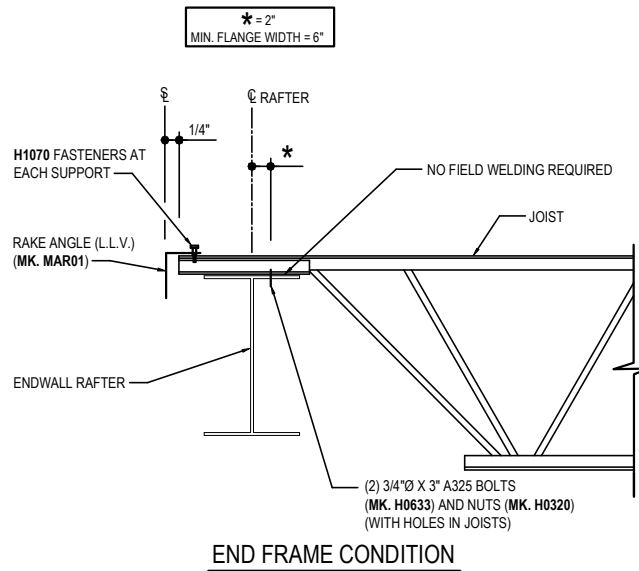
**BG2010**

**Detailer Notes:**

- 1) THE DIFFERENCE BETWEEN DETAILS BG2000 AND BG2010, ARE THE HOLES IN THE JOIST FOR THE STRUT CONDITION FOR DETAIL BG2010.

**BG2020 - BOLTED STRUT JOIST CONNECTION AT RAFTERS (WITH 3/4"Ø BOLTS)**

[Download the DWG file by clicking here.](#)



FOR BOLTED ROOF JOIST SYSTEM.  
APPLIES ONLY TO LOCATIONS DESIGNATED  
WITH RELATED CIRCLE SYMBOL.



**STRUT JOIST CONNECTION DETAIL**

SHORTSPAN BOLTED ROOF JOIST SYSTEM  
REFERENCE ERECTOR NOTE FOR TYPICAL WASHER REQUIREMENTS

**BG2020**

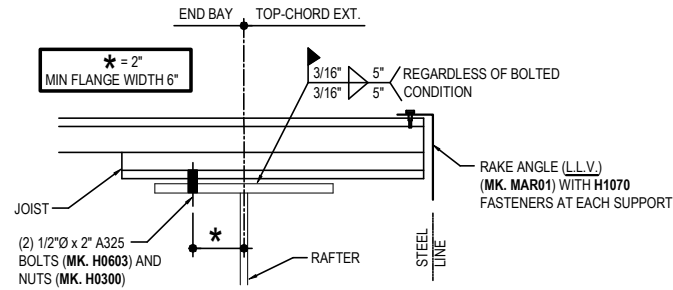
**Detailer Notes:**

- 1) STRUT CONNECTION WITH 3/4"Ø BOLTS AND HOLES IN JOISTS.

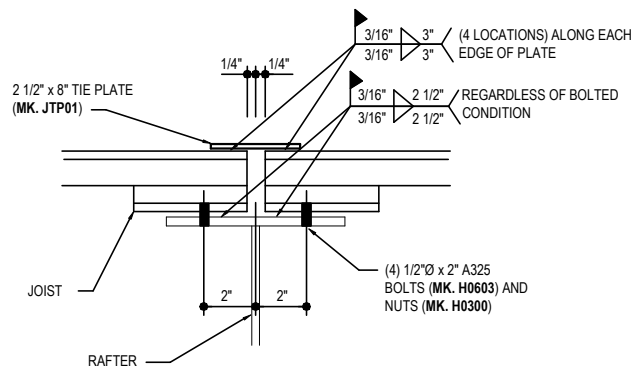


**BG2030 - BOLTED STRUT JOIST CONNECTION AT RAFTERS (WITH WELD)**

[Download the DWG file by clicking here.](#)



**END FRAME CONDITION**



**INTERIOR CONDITION**

FOR BOLTED ROOF JOIST SYSTEM.  
APPLIES ONLY TO LOCATIONS DESIGNATED  
WITH RELATED SQUARE SYMBOL.

**STRUT JOIST CONNECTIONS**

SHORTSPAN BOLTED ROOF JOIST SYSTEM WITH WELD AT RAFTER  
REFERENCE ERECTOR NOTE FOR TYPICAL WASHER REQUIREMENTS

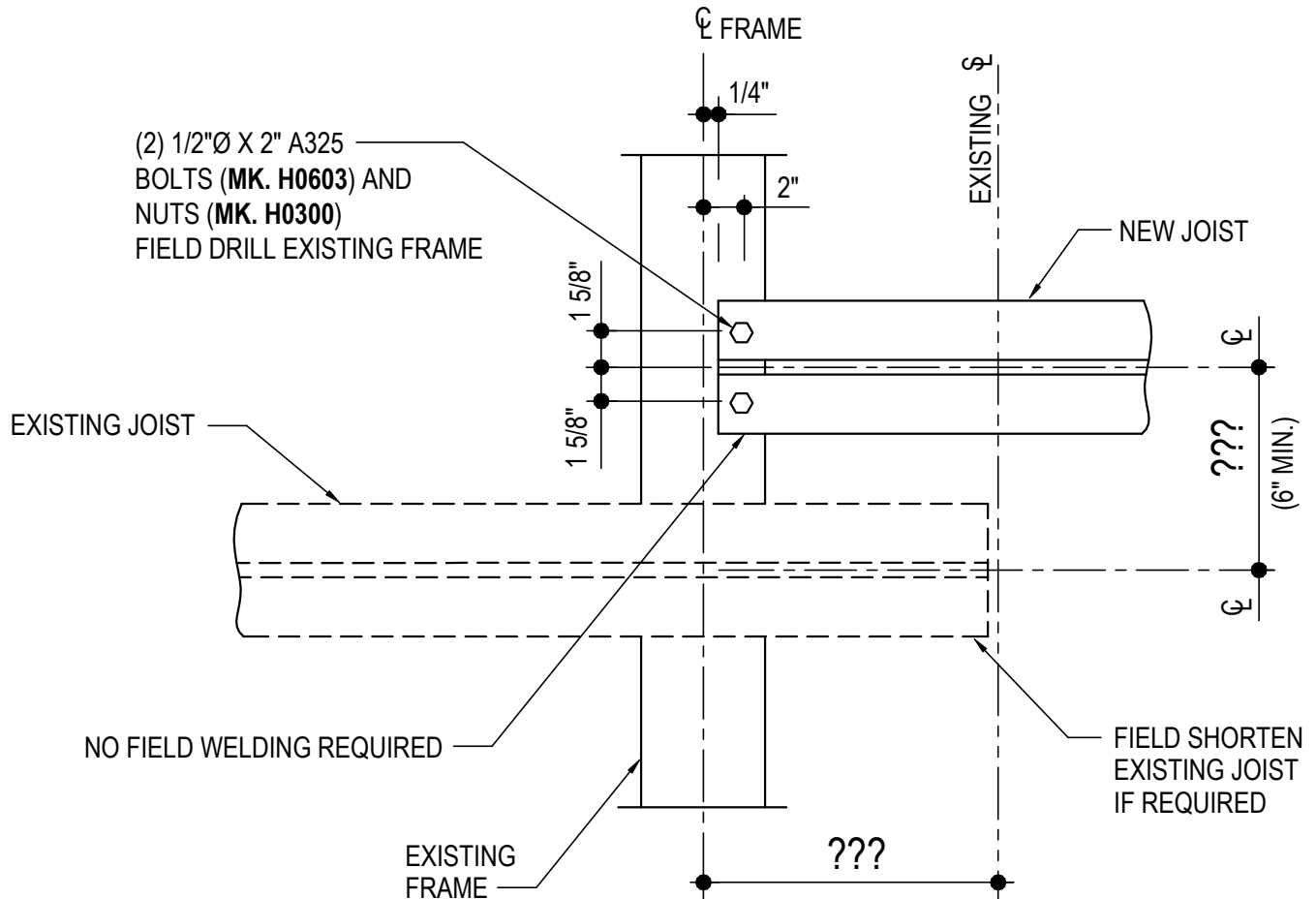
**BG2030**

**Detailer Notes:**

- 1) N/A

BG2100 - NEW JOIST TIE-IN CONNECTION TO EXISTING END FRAME

[Download the DWG file by clicking here.](#)



**NEW JOIST TIE-IN CONNECTION TO EXISTING END FRAME**

SHORTSPAN ROOF JOIST AT EXISTING END FRAME (BOLTED SYSTEM)  
REFERENCE ERECTOR NOTE FOR TYPICAL WASHER REQUIREMENTS.

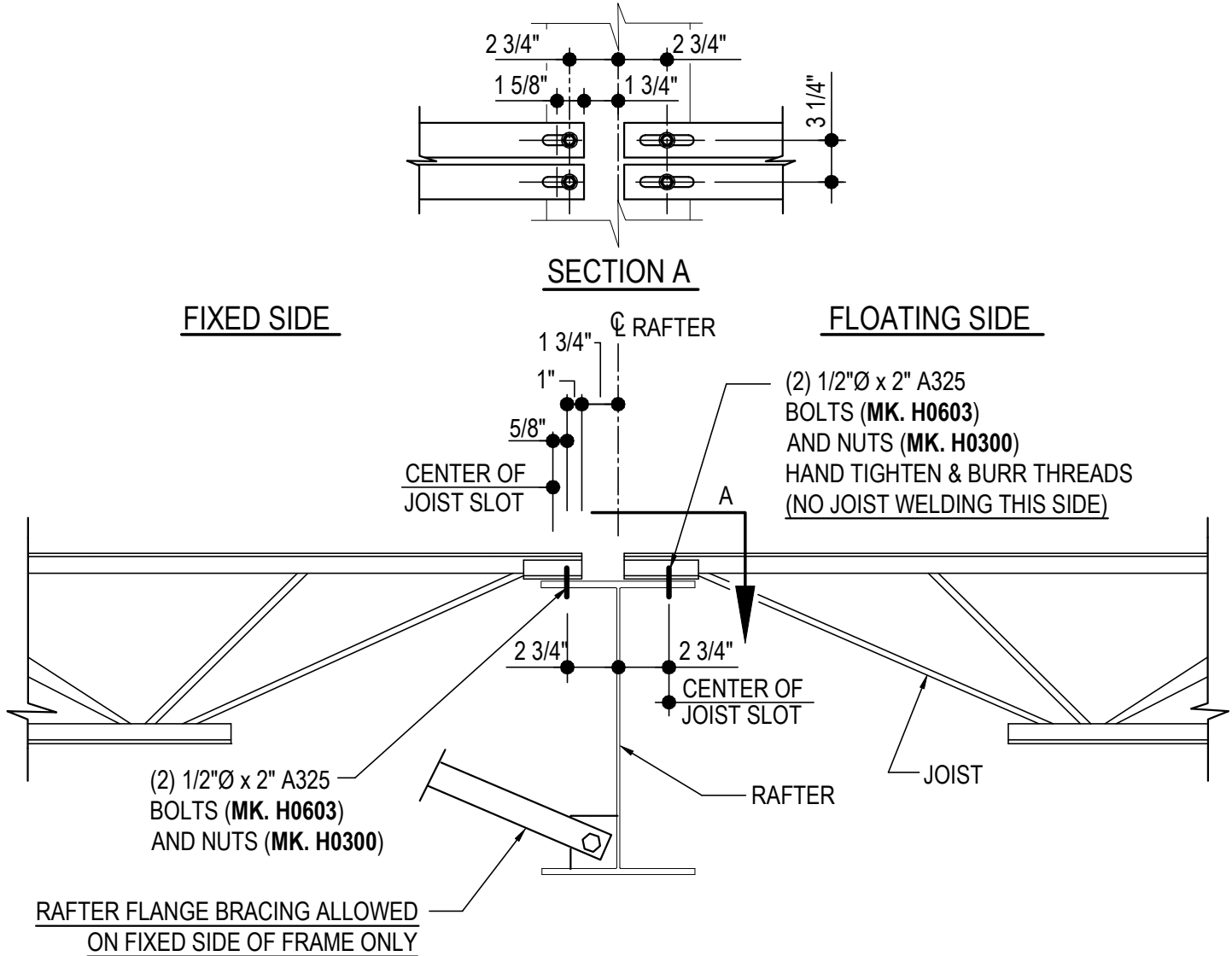
**BG2100**

Detailer Notes:

- 1) THIS DETAIL UTILIZES ATTRIBUTES. TO ACCESS ATTRIBUTES DOUBLE CLICK ON THE DETAIL.

BG2200 - INTERIOR ROOF JOIST AT STRUCTURAL EXPANSION

[Download the DWG file by clicking here.](#)



**INTERIOR JOIST CONNECTION DETAIL**

SHORTSPAN ROOF JOIST AT STRUCTURAL EXPANSION (BOLTED SYSTEM)  
REFERENCE ERECTOR NOTE FOR TYPICAL WASHER REQUIREMENTS

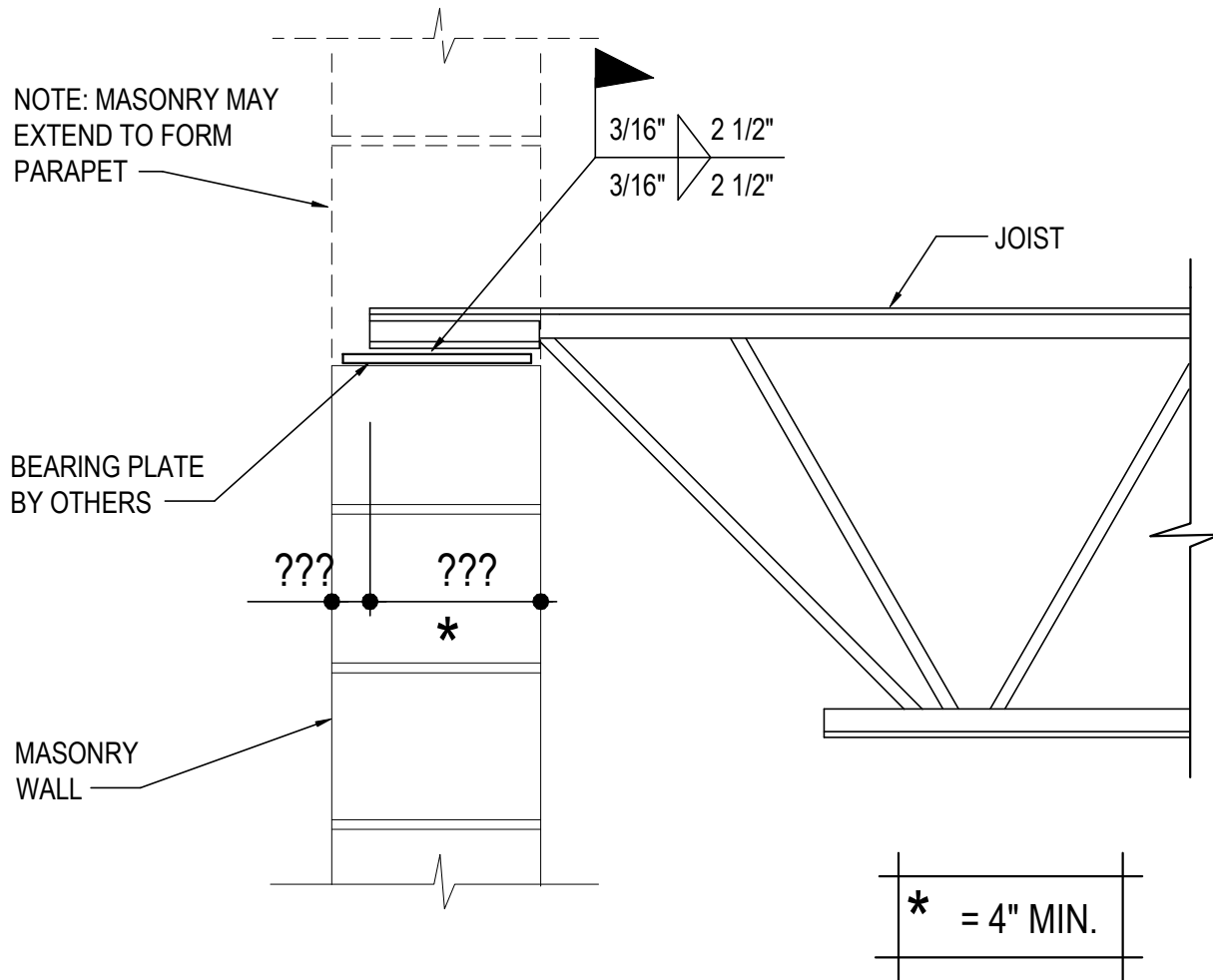
**BG2200**

Detailer Notes:

- 1) THIS CONDITION WILL ALWAYS REQUIRE COORDINATION WITH VULCRAFT. SEE DETAILING PROCEDURE MANUAL FOR FURTHER INFORMATION.

BG3000 - JOIST CONNECTION AT MASONRY END SUPPORT

[Download the DWG file by clicking here.](#)



**JOIST CONNECTION DETAIL**

SHORTSPAN ROOF JOIST AT MASONRY END SUPPORT

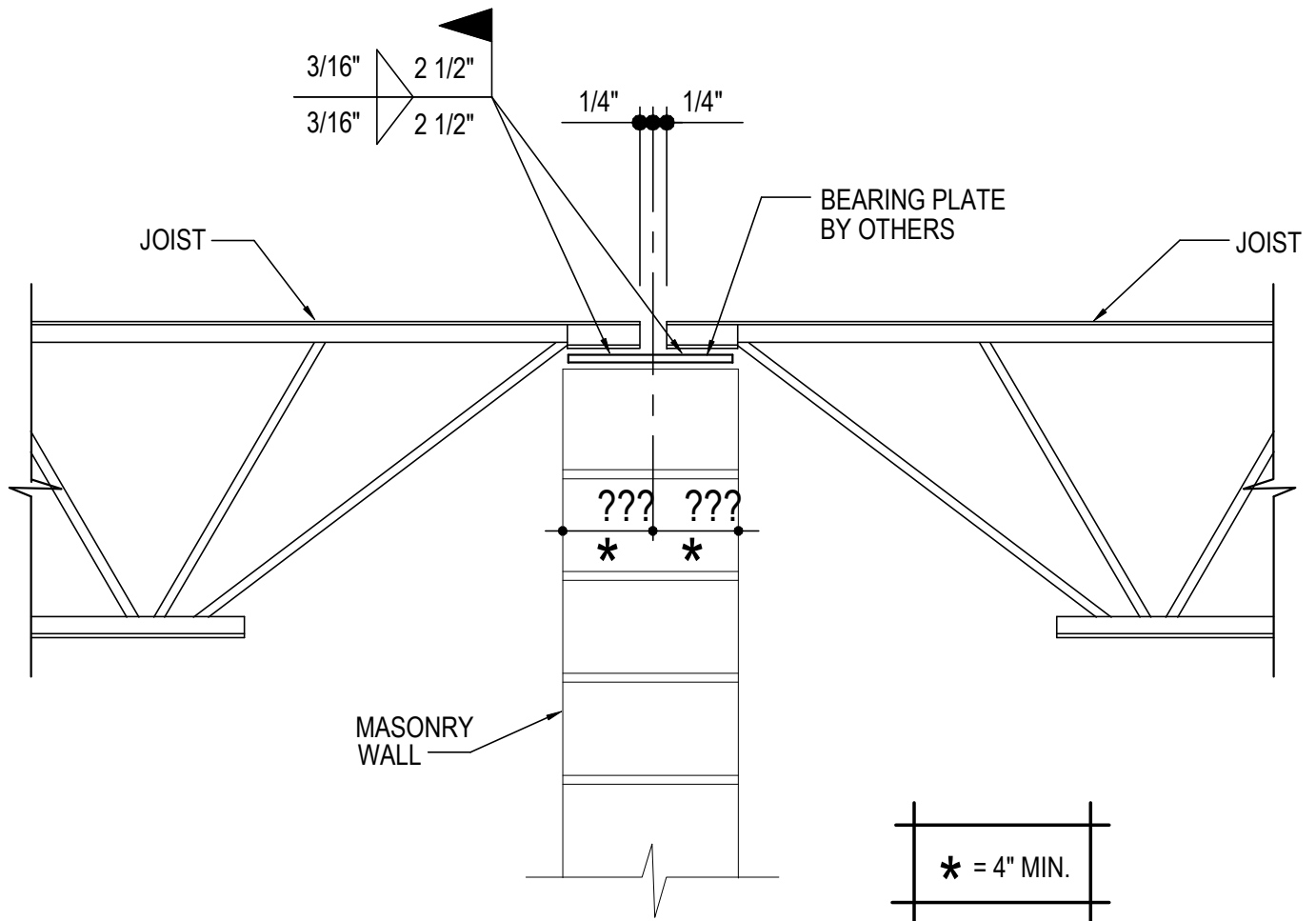
**BG3000**

Detailer Notes:

- 1) THIS DETAIL UTILIZES ATTRIBUTES. TO ACCESS ATTRIBUTES DOUBLE CLICK ON THE DETAIL.

BG3010 - JOIST CONNECTION AT MASONRY INTERIOR SUPPORT

[Download the DWG file by clicking here.](#)



**JOIST CONNECTION DETAIL**

SHORTSPAN ROOF JOIST AT MASONRY INTERIOR SUPPORT

**BG3010**

Detailer Notes:

- 1) THIS DETAIL UTILIZES ATTRIBUTES. TO ACCESS ATTRIBUTES DOUBLE CLICK ON THE DETAIL.