

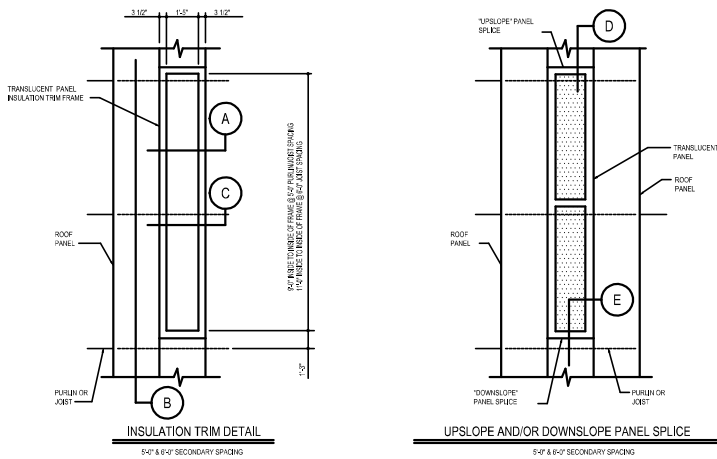
EM6020 - SS360/SSII ROOF

[Download the DWG file by clicking here.](#)

SS360/SS II TRANSLUCENT ROOF PANEL INSTALLATION INSTRUCTIONS

ERECTOR NOTE: THE DETAILS SHOWN ON THIS PAGE REFLECT LEFT-TO-RIGHT PANEL ERECTION SEQUENCE. IF THE PANELS ARE BEING INSTALLED FROM RIGHT-TO-LEFT, THE DETAILS ARE OPPOSITE HAND OF WHAT IS SHOWN.

TRANSLUCENT PANEL LAYOUT - PLAN VIEWS

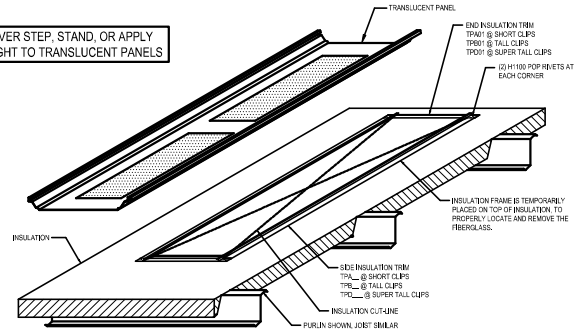


LEFT-TO-RIGHT
ERECTION SEQUENCE SHOWN

ERECTION NOTES:

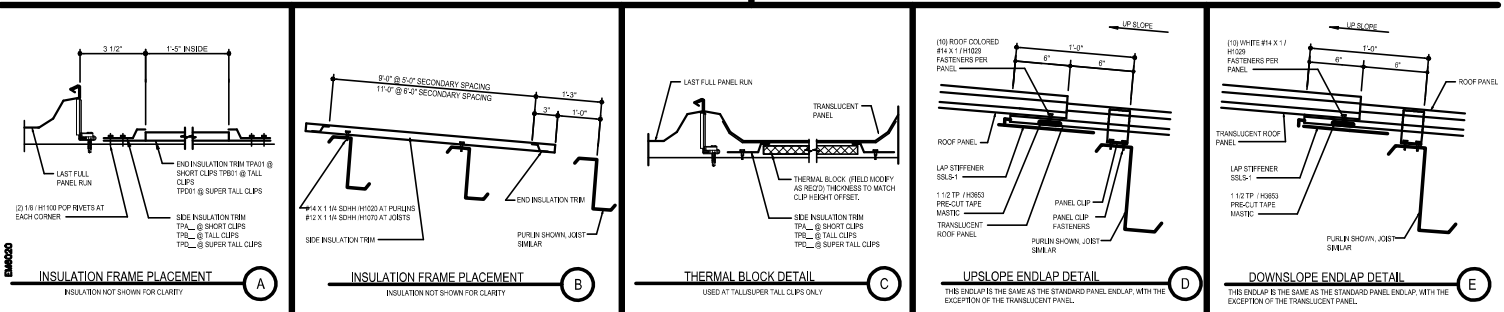
- 1) INSTALL METAL ROOF PANELS UP TO THE TRANSLUCENT PANEL LOCATION.
- 2) PRE-ASSEMBLE INSULATION TRIM FRAME AS SHOWN IN THE DETAILS BELOW.
- 3) PLACE FRAME ON TOP OF THE ROOF INSULATION. USE DIMENSIONS BELOW TO PROPERLY LOCATE FRAME ON THE PURLIN/SUBJECTS.
- 4) ATTACH THE FRAME TO PURLIN WITH #12 X 1 1/4 SDHW H/202 AT JOIST WITH #12 X 1 1/4 SDHW H/202S.
- 5) REMOVE THE FIBERGLASS INSULATION FROM THE BACKING INSIDE THE FRAME AREA.
- 6) MAKE AN X CUT IN THE LINER AS SHOWN.
- 7) FASTEN INSULATION BACKING TO FRAME USING DOUBLE FACED TAPE (BY OTHERS).

NEVER STEP, STAND, OR APPLY WEIGHT TO TRANSLUCENT PANELS



GENERAL NOTES:

- 1) END TO END TRANSLUCENT PANELS SHOULD BE SPACED SO THAT THE METAL PANELS ABOVE, BETWEEN AND BELOW ARE RESTING ON A MINIMUM OF (3) PURLINS. PREFERABLY (4). NO SIMPLY-SPAN ROOF PANEL CONDITIONS ARE ALLOWED.
- 2) A MINIMUM OF (4) METAL PANELS IS REQUIRED BETWEEN SIDES OF MULTIPLE TRANSLUCENT PANEL LOCATIONS. TRANSLUCENT PANELS SHALL NOT BE PLACED SIDE BY SIDE.
- 3) TRANSLUCENT PANELS SHALL NOT BE PLACED FROM EAVE TO EAVE.
- 4) TRANSLUCENT PANELS SHALL NOT BE PLACED AT THE LOW EAVE OF THE BUILDING.
- 5) THE LOCATION OF THE FIRST TRANSLUCENT PANEL UP FROM THE LOW EAVE SHOULD BE SET SO THAT THE LOW EAVE METAL PANEL IS SUPPORTED BY (4) PURLINS (OR APPROXIMATELY 15 FEET).
- 6) U.S. ROVING & FIBERGLASS APPROVAL FOR TRANSLUCENT PANELS IS ONLY AVAILABLE WITH 5/8" SPACING.



Detailer Notes:

- 1) DETAIL IS USED FOR ALL SS360/SSII RATED OR NON-RATED JOBS.