

## **Product Manual - Expansion and Contraction Details**

---

[RC80/BA, Detail at Transverse Expansion Joint](#)

[RC80/GA, Detail at Transverse Expansion Joint](#)

[RC80/SA, Detail at Transverse Expansion Joint](#)

[RC81/BA, Longitudinal Expansion Joint in Roof](#)

[RC81/GA, Longitudinal Expansion Joint](#)

[RC81/SA, Longitudinal Expansion Joint](#)

[RC82/GA, Longitudinal Expansion Joint at Rake and Roof to Wall Transition](#)

[RC82/SA, Longitudinal Expansion Joint at Rake and Roof to Wall Transition](#)

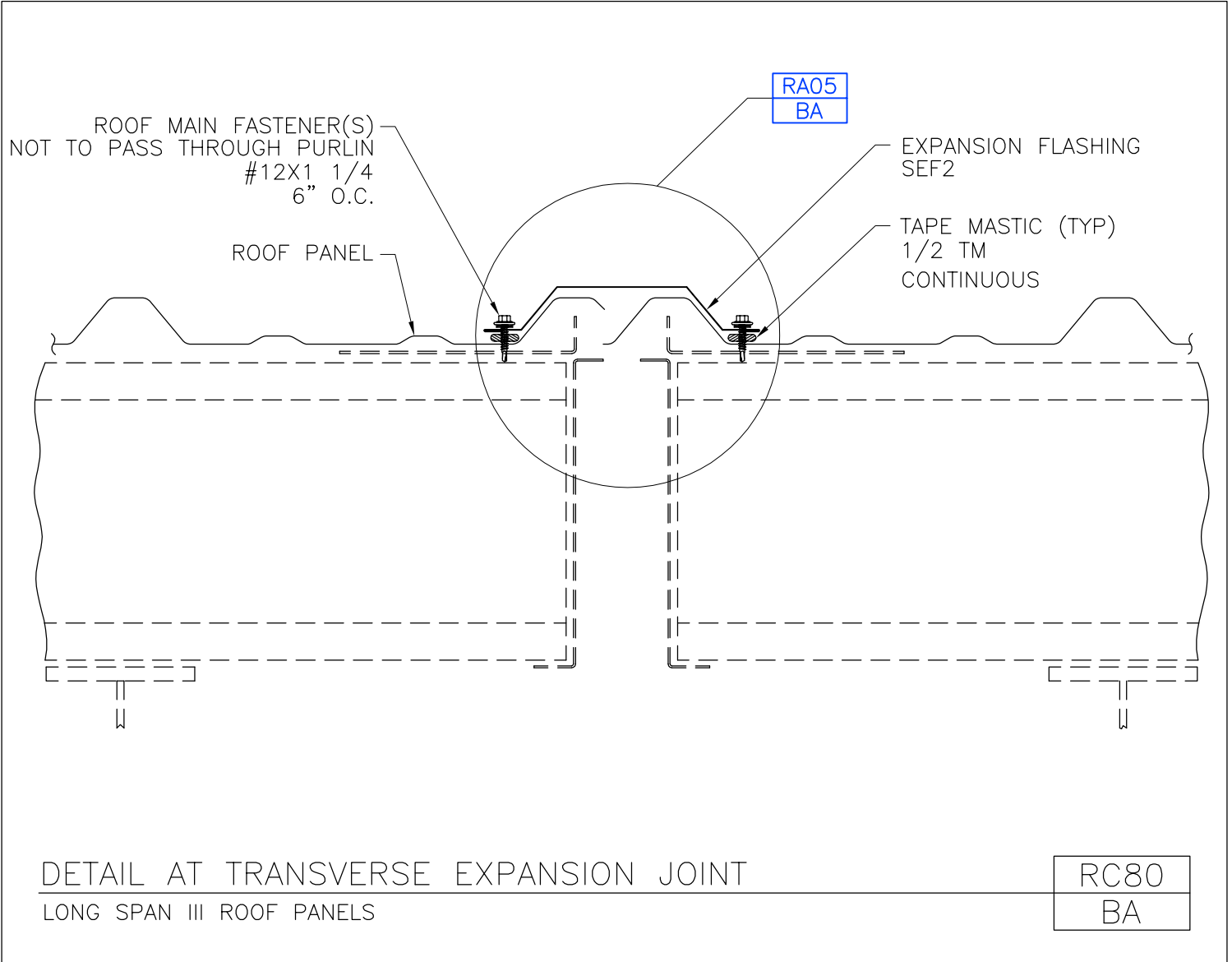
[RF07/AA, Longitudinal Expansion Joint Framing](#)

[RF80/AA, Transverse Expansion Joint Framing Detail](#)

[WC80/AB, Transverse Expansion Joint Detail at Sidewall](#)

[WC80/AC, Transverse Expansion Joint Detail at Sidewall](#)

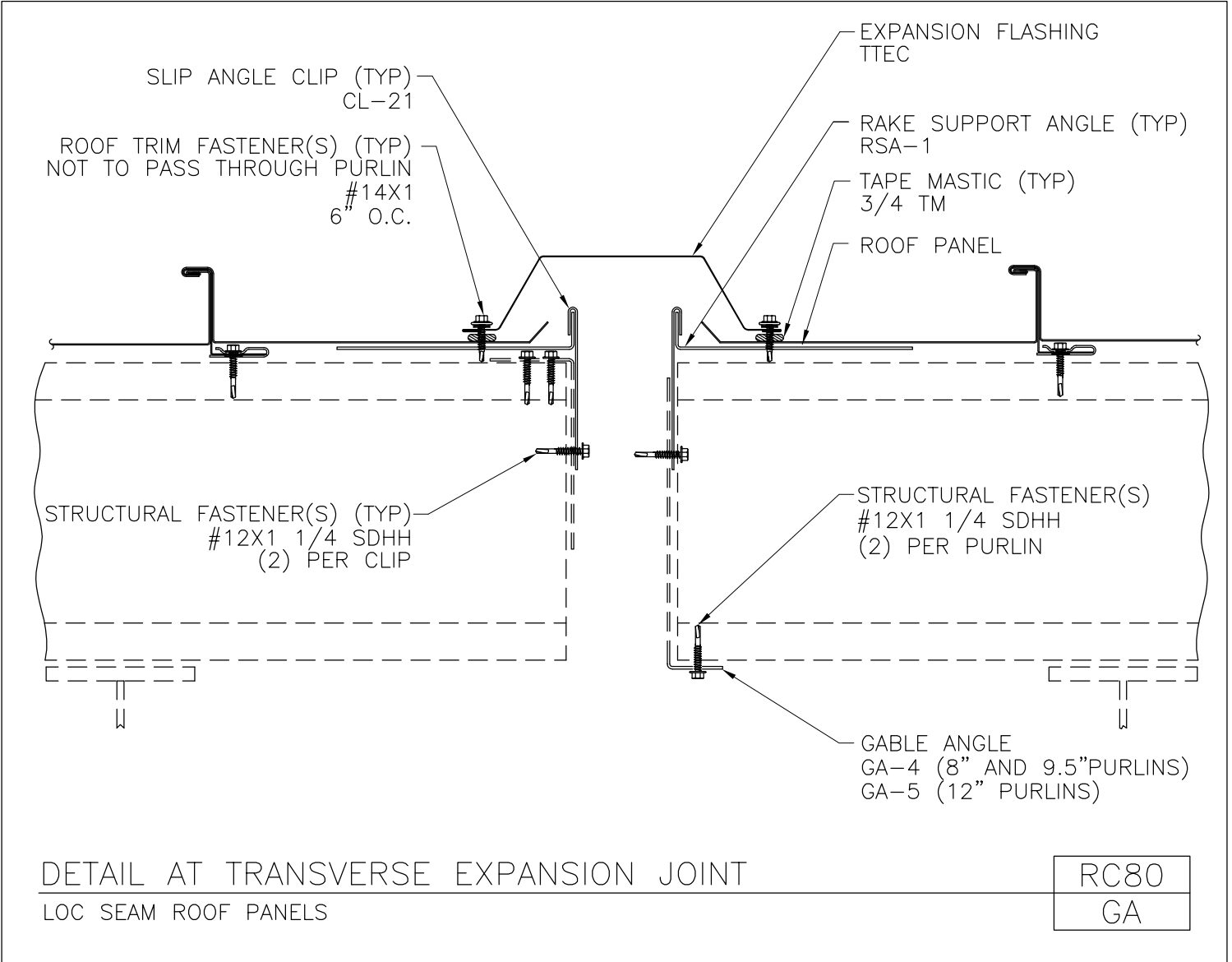
Detail at Transverse Expansion Joint  
Long Span III Roof Panels  
RC80/BA



[Download the DWG file by clicking here.](#)

[To Section Index](#)

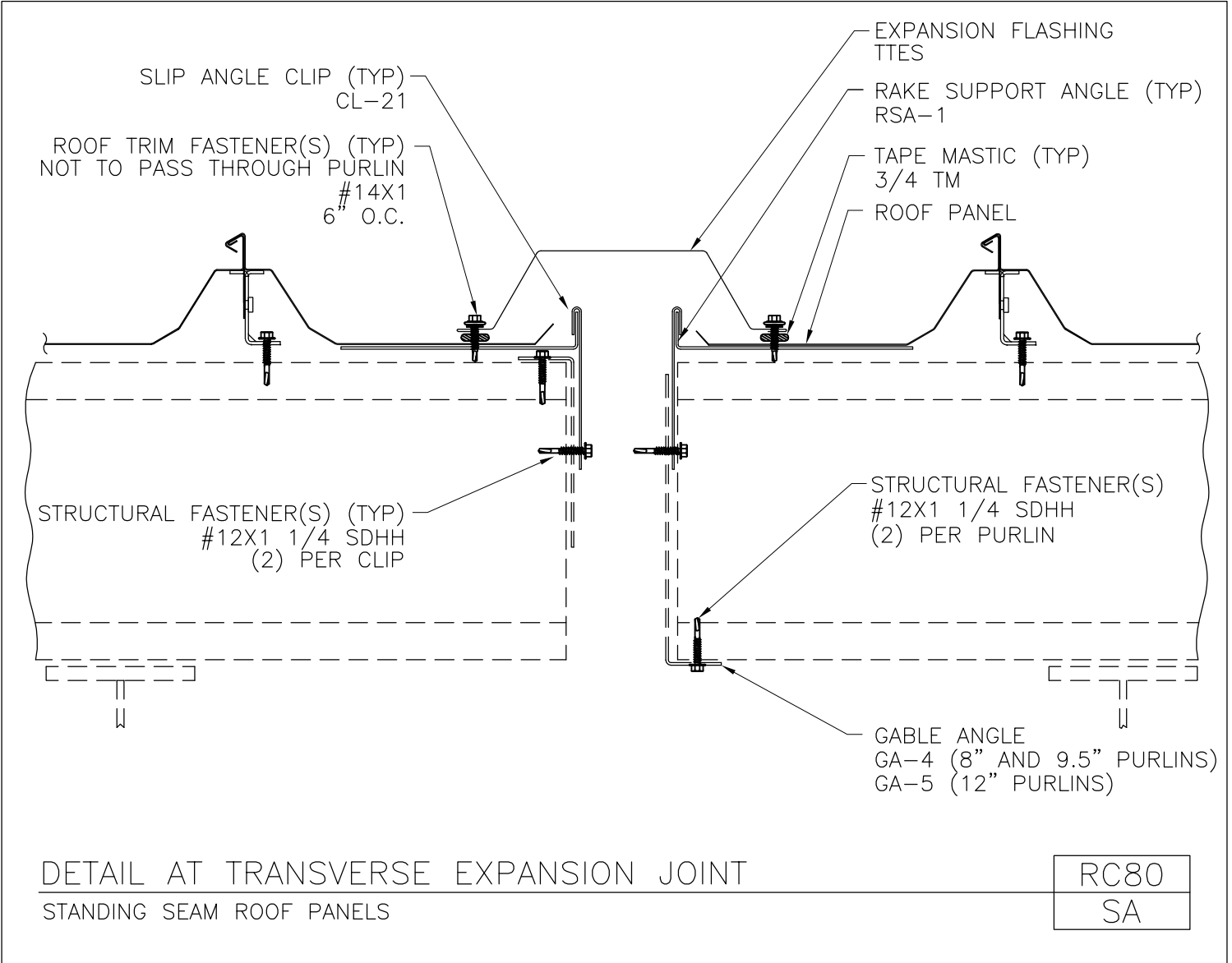
Detail at Transverse Expansion Joint  
Loc Seam Roof Panels  
RC80/GA



[Download the DWG file by clicking here.](#)

[To Section Index](#)

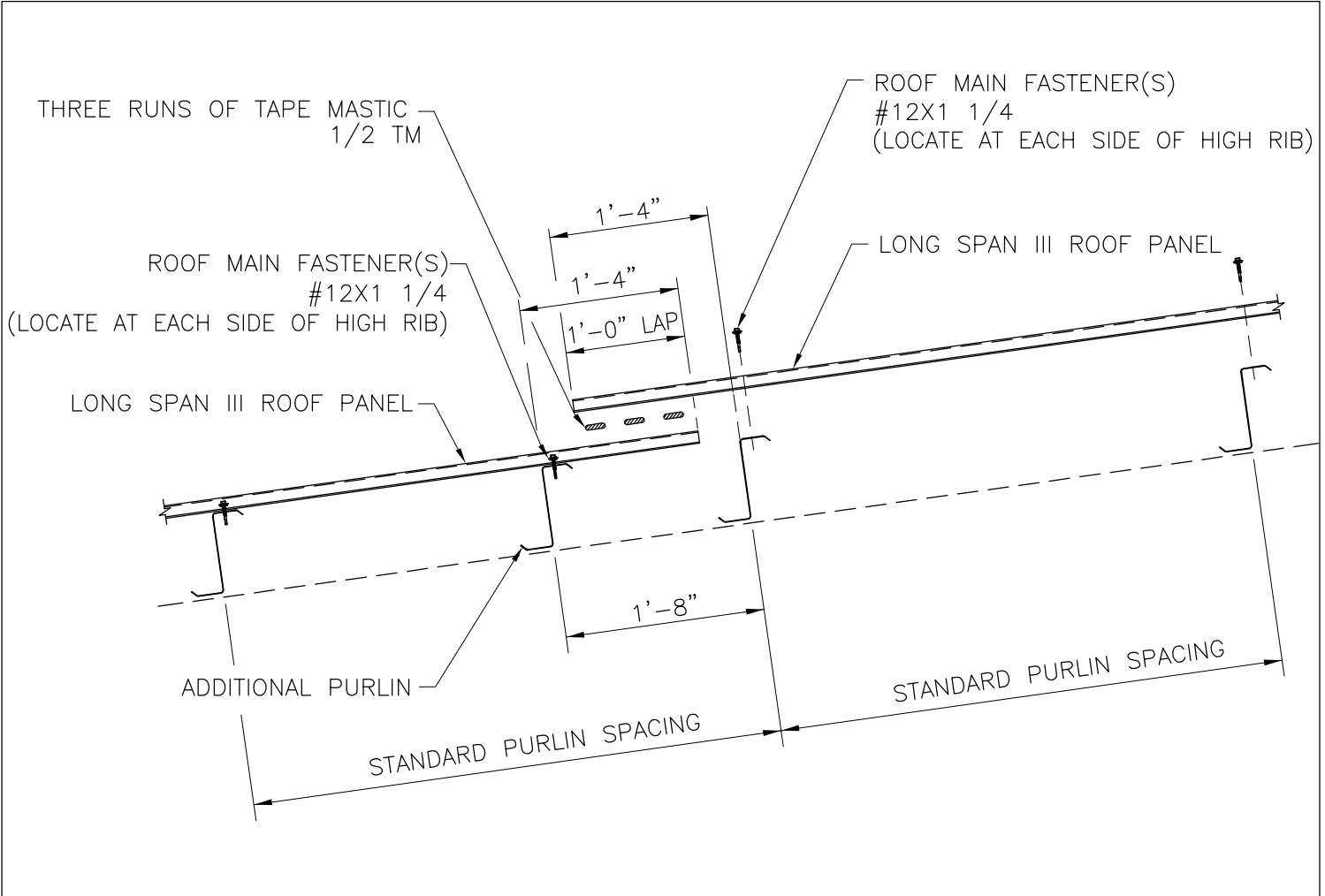
Detail at Transverse Expansion Joint  
Standing Seam Roof Panels  
RC80/SA



[Download the DWG file by clicking here.](#)

[To Section Index](#)

Longitudinal Expansion Joint in Roof  
Long Span III Roof  
RC81/BA



LONGITUDINAL EXPANSION JOINT IN ROOF  
LONG SPAN III ROOF

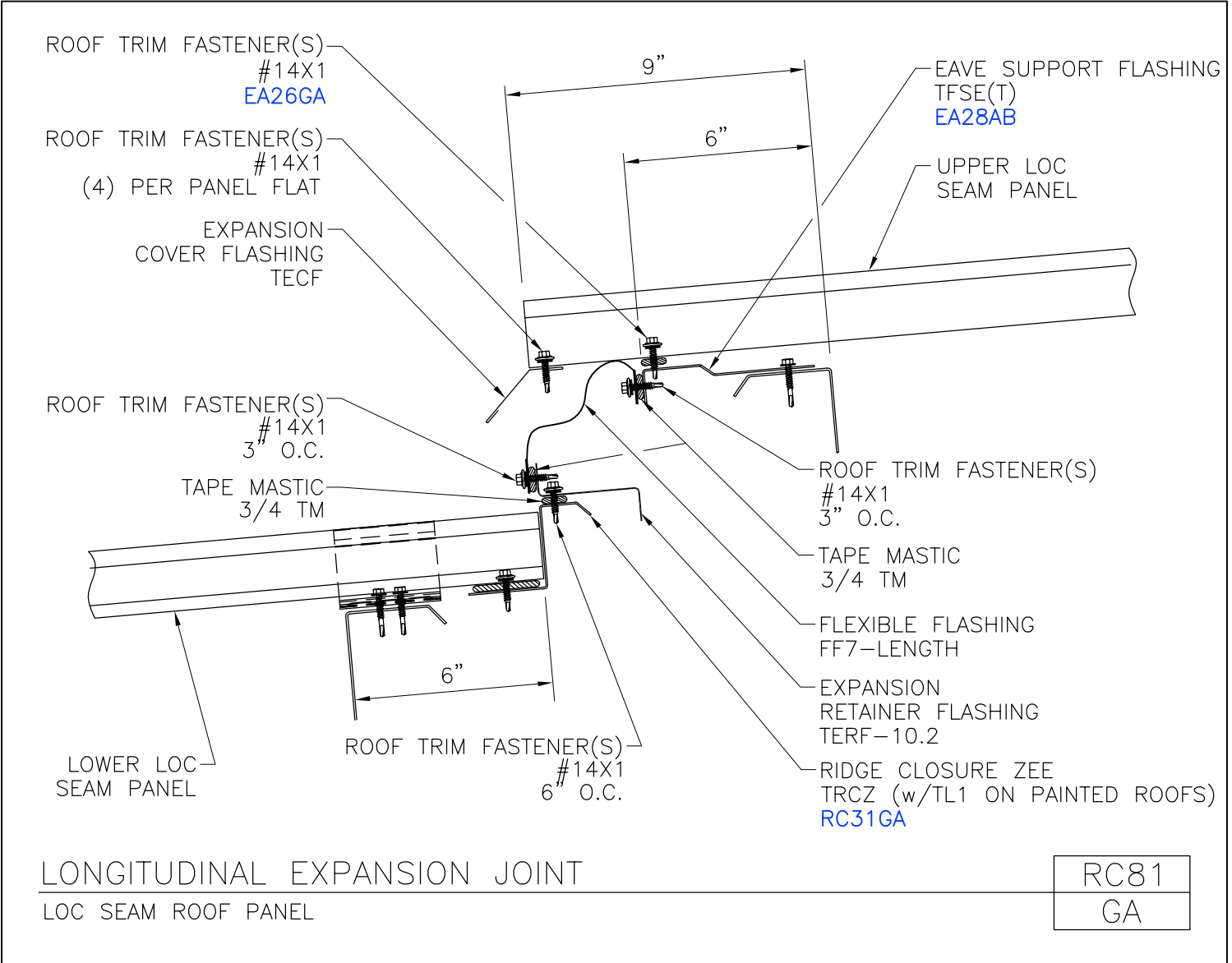
RC81
BA

REF. DETAIL [RC05BA](#)

[Download the DWG file by clicking here.](#)

[To Section Index](#)

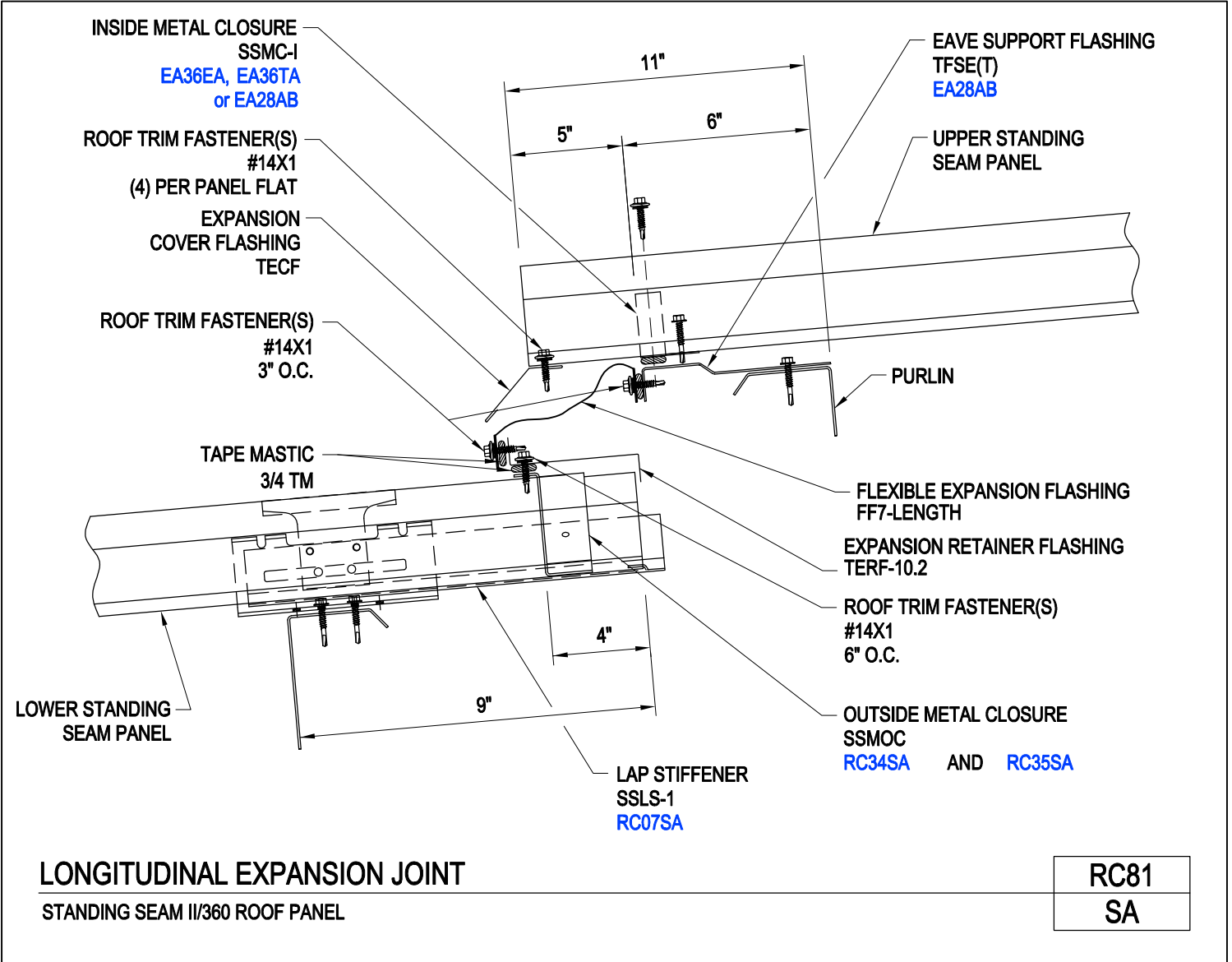
Longitudinal Expansion Joint  
Loc Seam Roof Panel  
RC81/GA



[Download the DWG file by clicking here.](#)

[To Section Index](#)

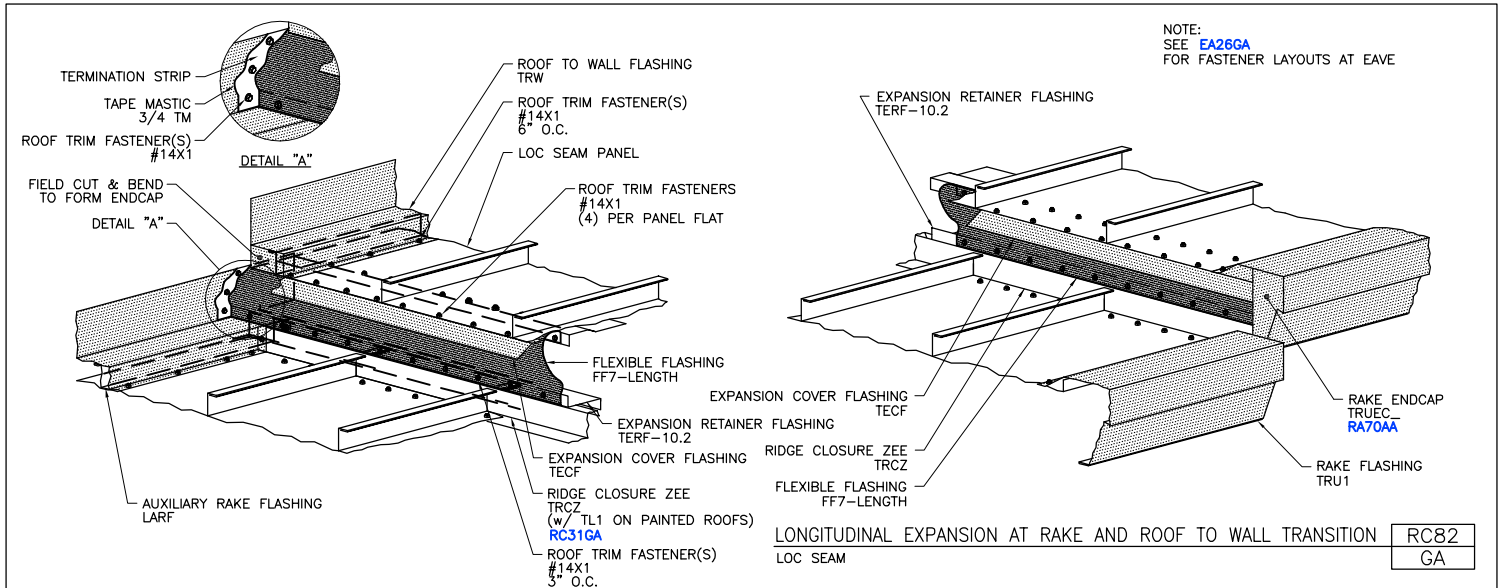
Longitudinal Expansion Joint  
Standing Seam III/360 Roof Panel  
RC81/SA



[Download the DWG file by clicking here.](#)

[To Section Index](#)

Longitudinal Expansion Joint at Rake and Roof to Wall Transition  
Loc Seam  
RC82/GA

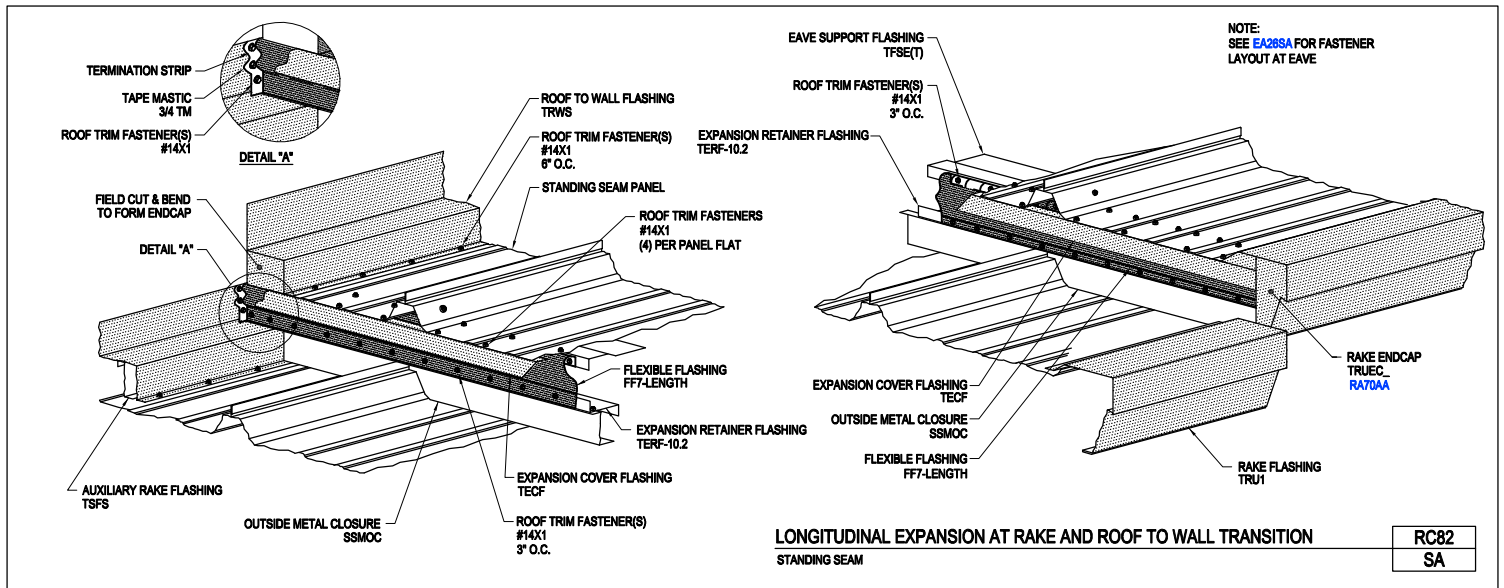


[Download the DWG file by clicking here.](#)

[To Section Index](#)



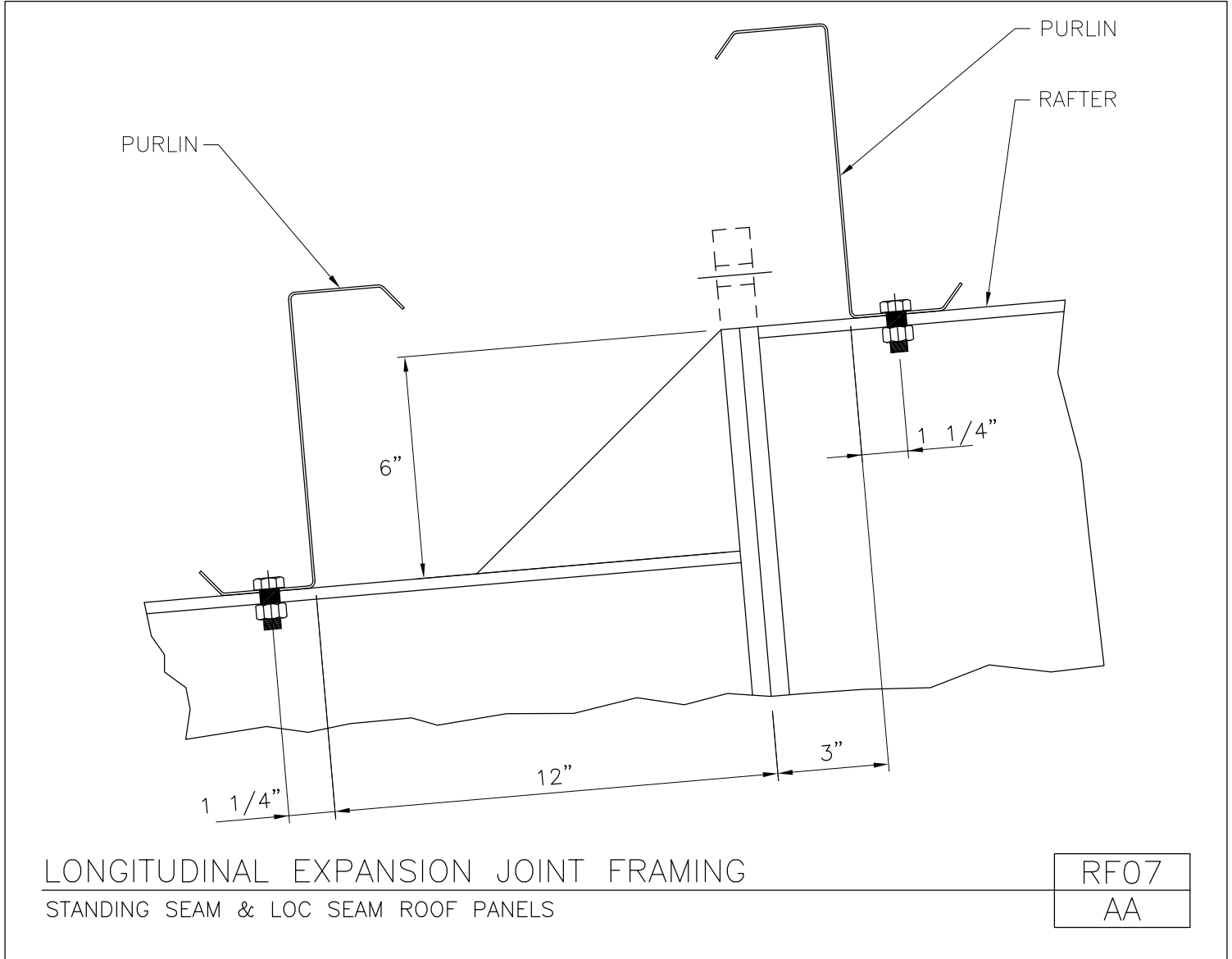
Longitudinal Expansion Joint at Rake and Roof to Wall Transition  
Standing Seam  
RC82/SA



[Download the DWG file by clicking here.](#)

[To Section Index](#)

Longitudinal Expansion Joint Framing  
Standing Seam & Loc Seam Roof Panels  
RF07/AA



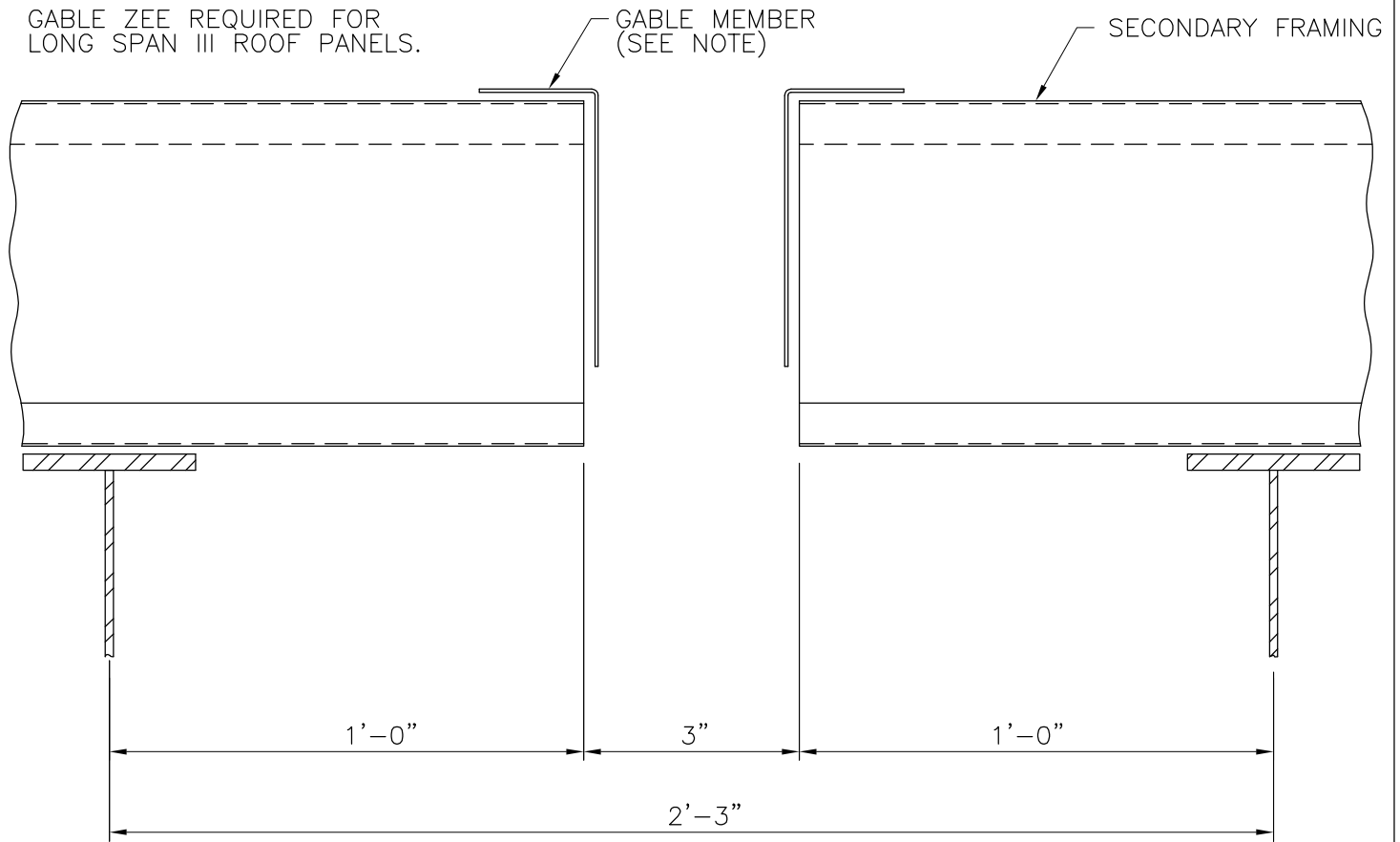
[Download the DWG file by clicking here.](#)

[To Section Index](#)

Transverse Expansion Joint Framing Detail  
All Roof Panels  
RF80/AA

NOTE:

GABLE ANGLE SHOWN AS  
REQUIRED FOR STANDING SEAM  
AND LOC SEAM ROOF PANELS.  
GABLE ZEE REQUIRED FOR  
LONG SPAN III ROOF PANELS.



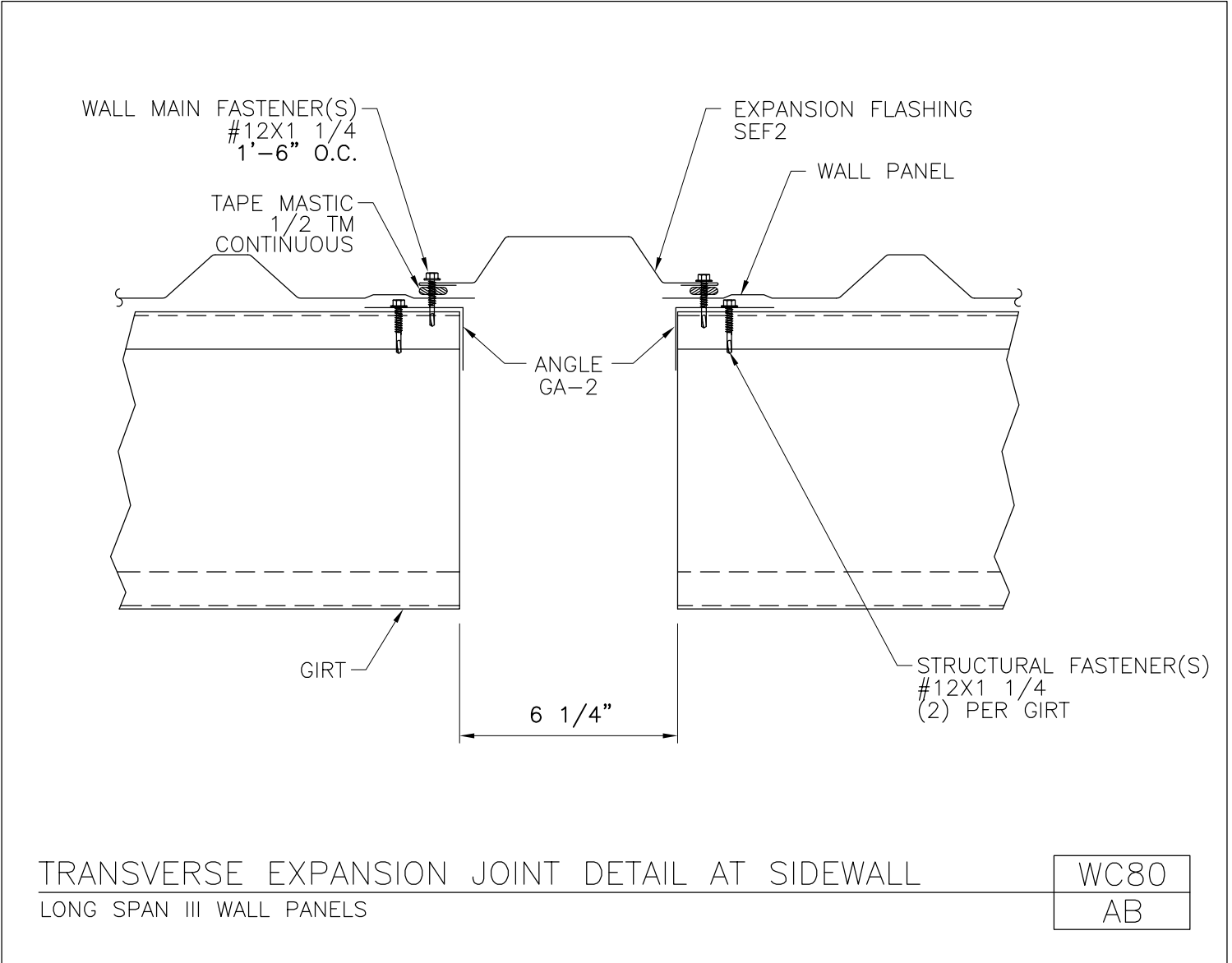
TRANSVERSE EXPANSION JOINT FRAMING DETAIL  
ALL ROOF PANELS

RF80
AA

[Download the DWG file by clicking here.](#)

[To Section Index](#)

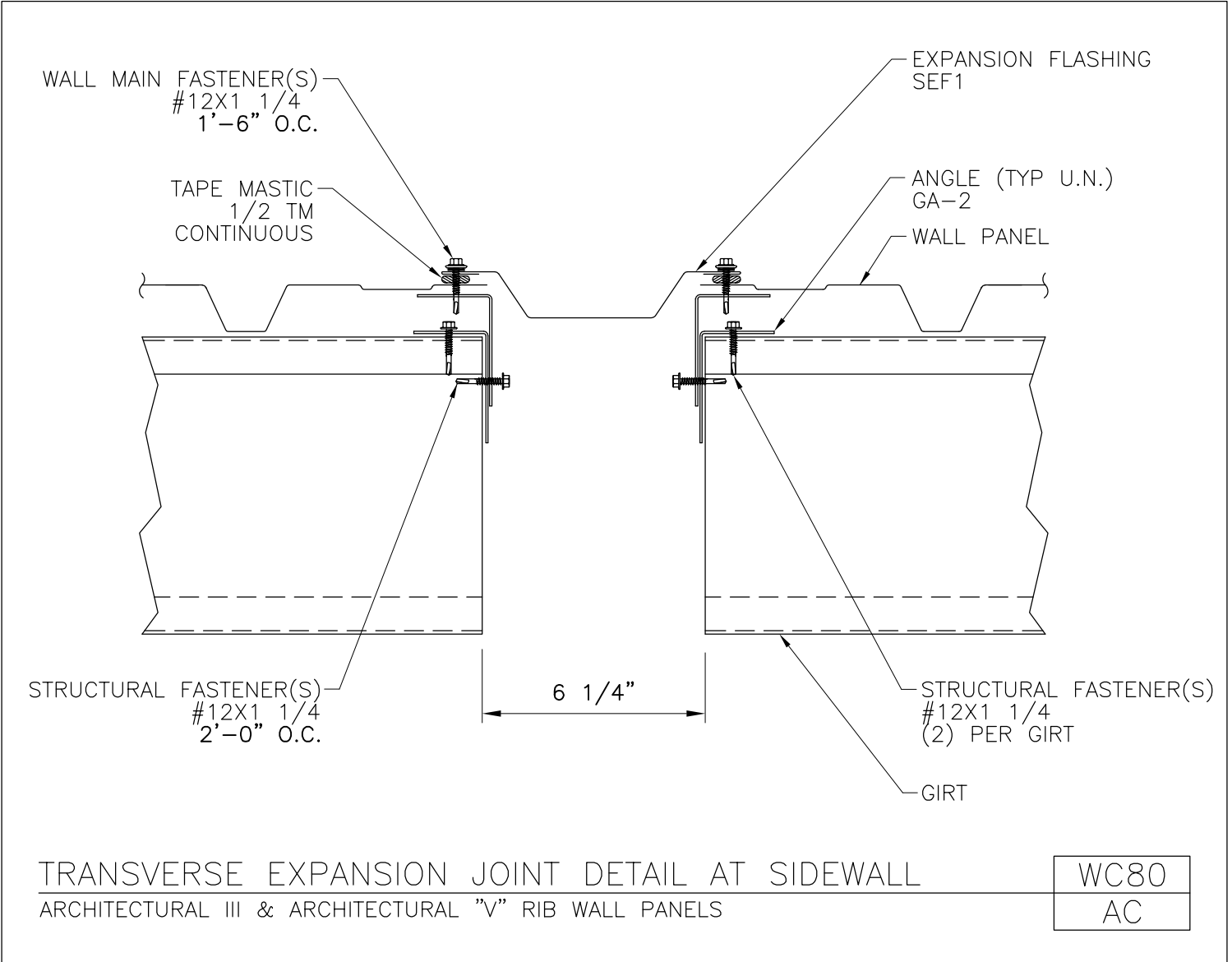
Transverse Expansion Joint Detail at Sidewall  
Long Span III Wall Panels  
WC80/AB



[Download the DWG file by clicking here.](#)

[To Section Index](#)

Transverse Expansion Joint Detail at Sidewall  
Architectural III & Architectural "V" Rib Wall Panels  
WC80/AC



[Download the DWG file by clicking here.](#)

[To Section Index](#)