

# Product Manual - Facade Details

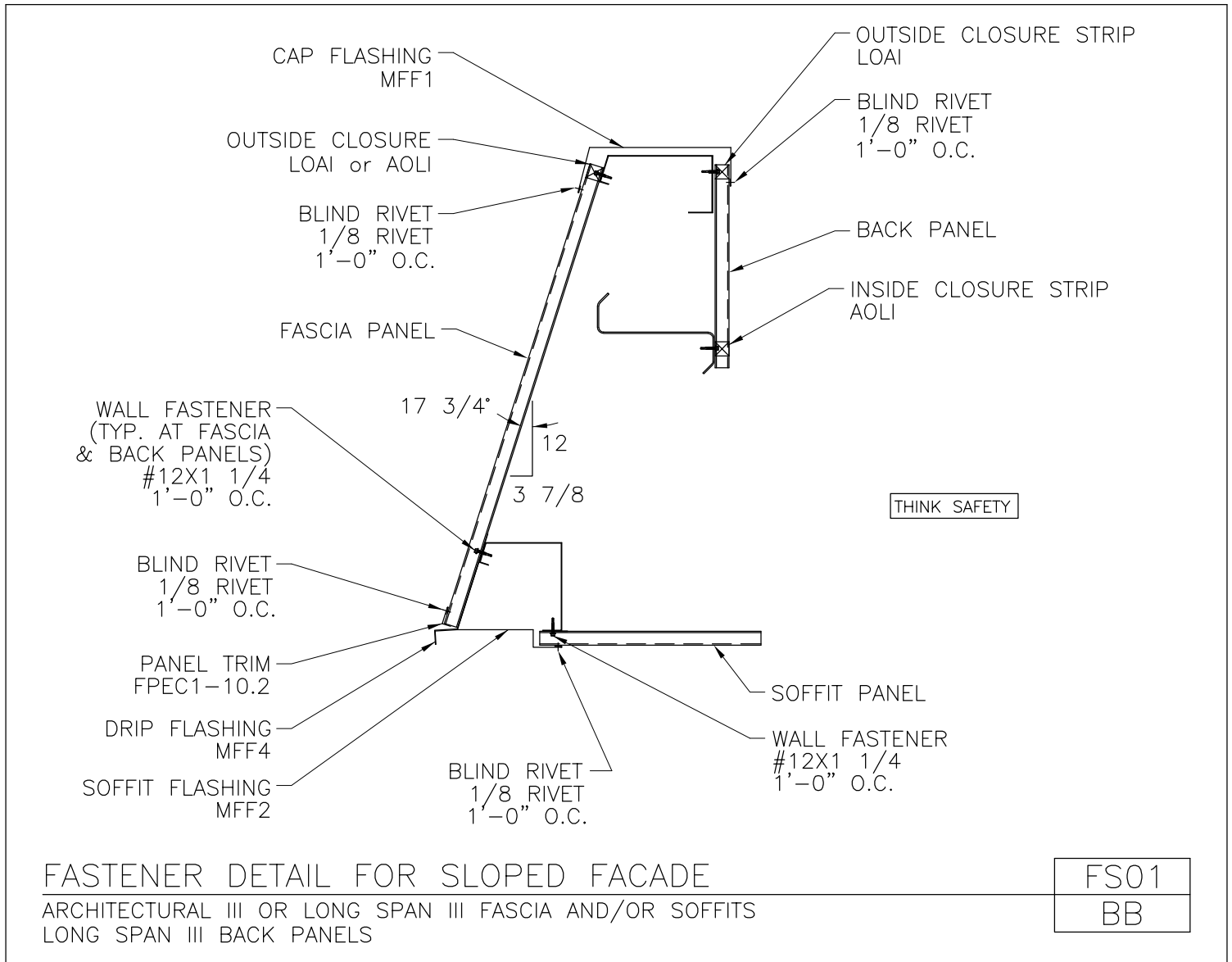
---

FS01/BB, Fastener Detail for Sloped Facade  
FS02/BB, Section Through 4' Sloped Facade at Eave  
FS03/BB, Section Thru 4' Sloped Facade at Endwall  
FS04/BB, Sidewall Facade Connection to Main Building  
FS05/BB, Framing View For Sloped Facade  
FS06/BB, Corner Strut Connection for Sloped Facade  
FS07/BB, Soffit View For Sloped Facade  
FS08/BB, Section Through Facade Soffit at Transition  
FS09/BB, Flashing View For Sloped Facade  
FS10/BB, Section Thru Sloped Facade at Corner  
FS10/CA, Section Thru Sloped Facade Fascia at Corner  
FS12/BA, Suggested Fascia Corner Panel Starting Detail  
FS13/AA, Facade General Notes  
FS20/AA, Typical Sidewall Framing Elevation for 4' Sloped Facade  
FS23/AA, Sidewall Framing Return Elevations for 4' Sloped Facade  
FS25/AA, Typical Sidewall Framing Elevation for 4' Sloped Facade  
FS26/AA, Endwall Framing Elevation for 4' Sloped Facade  
FS27/AA, Endwall Framing Elevation for 4' Sloped Facade  
FS28/AA, Endwall Framing Elevation for 4' Sloped Facade  
FS29/AA, Endwall Framing Elevation for 4' Sloped Facade  
FS30P/AA, Endwall Corner Returns for 4' Sloped Facade  
FS31Q/AA, Endwall Corner Returns for 4' Sloped Facade  
FS32M/AA, Endwall Corner Returns for 4' Sloped Facade  
FS35A/AA, Diagonal Strapping Detail at Sloped Facade  
FS36M/AA, Endwall Framing Elevation For 4' Sloped Facade  
FS37M/AA, Endwall Framing Elevation for 4' Sloped Facade  
FS38M/AA, Endwall Framing Elevation For 4' Sloped Facade  
FS39M/AA, Endwall Framing Elevation For 4' Sloped Facade  
FS46P/AA, Endwall Framing Elevation For 4' Sloped Facade  
FS47P/AA, Endwall Framing Elevation For 4' Sloped Facade  
FS48P/AA, Endwall Framing Elevation For 4' Sloped Facade  
FS49P/AA, Endwall Framing Elevation For 4' Sloped Facade  
FS56Q/AA, Endwall Framing Elevation For 4' Sloped Facade  
FS57Q/AA, Endwall Framing Elevation For 4' Sloped Facade  
FS58Q/AA, Endwall Framing Elevation For 4' Sloped Facade  
FS59Q/AA, Endwall Framing Elevation For 4' Sloped Facade  
FS60/AA, Typical Sidewall Framing Elevation for 5' Sloped Facade

FS63/AA, Sidewall Framing Return Elevations for 5' Sloped Facade  
FS65/AA, Typical Sidewall Framing Elevation for 5' Sloped Facade  
FS66/AA, Endwall Framing Elevation for 5' Sloped Facade  
FS67/AA, Endwall Framing Elevation for 5' Sloped Facade  
FS68/AA, Endwall Framing Elevation for 5' Sloped Facade  
FS69/AA, Endwall Framing Elevation for 5' Sloped Facade  
FS72/BB, Section Thru 5' Sloped Facade at Eave  
FS73/BB, Section Thru 5' Sloped Facade at Endwall  
FS74/BB, Facade Connection to Main Building  
FS76Q/AA, Endwall Framing Elevation for 5' Sloped Facade  
FS77Q/AA, Endwall Framing Elevation for 5' Sloped Facade  
FS78Q/AA, Endwall Framing Elevation for 5' Sloped Facade  
FS79Q/AA, Endwall Framing Elevation for 5' Sloped Facade  
FS80P/AA, Endwall Corner Returns for 5' Sloped Facade  
FS81Q/AA, Endwall Corner Returns for 5' Sloped Facade  
FS82M/AA, Endwall Corner Returns for 5' Sloped Facade  
FS86M/AA, Endwall Framing Elevation for 5' Sloped Facade  
FS87M/AA, Endwall Framing Elevation for 5' Sloped Facade  
FS88M/AA, Endwall Framing Elevation for 5' Sloped Facade  
FS89M/AA, Endwall Framing Elevation for 5' Sloped Facade  
FS96P/AA, Endwall Framing Elevation for 5' Sloped Facade  
FS97P/AA, Endwall Framing Elevation for 5' Sloped Facade  
FS98P/AA, Endwall Framing Elevation for 5' Sloped Facade  
FS99P/AA, Endwall Framing Elevation for 5' Sloped Facade  
FV01/BB, Fastener Detail (Endwall Shown)  
FV02/BB, Section Thru Facade at Sidewall  
FV03/BB, Section Thru Facade at Endwall  
FV06/BB, Corner Girt Connection for Vertical Facade  
FV07/BB, Soffit View For Vertical Facade  
FV20/AA, Typical Sidewall Framing Elevation for 4' Vertical Facade  
FV23/AA, S.W. Framing Return Elevations for Vertical Frame  
FV25/AA, Typical Sidewall Framing Elevation for 4' Vertical Facade  
FV26/AA, Endwall Framing Elevation for 4' Vertical Facade  
FV27/AA, Endwall Framing Elevation for 4' Vertical Facade  
FV28/AA, Endwall Framing Elevation for 4' Vertical Facade  
FV29/AA, Endwall Framing Elevation for 4' Vertical Facade  
FV30P/AA, Endwall Corner Returns For 4' Vertical Facade  
FV31Q/AA, Endwall Corner Returns for 4' Vertical Facade  
FV32M/AA, Endwall Corner Returns for 4" Vertical Facade

FV35/AA, Diagonal Strapping Detail at Vertical Facade  
FV36M/AA, Endwall Framing Elevation for 4' Vertical Facade  
FV37M/AA, Endwall Framing Elevation for 4' Vertical Facade  
FV38M/AA, Endwall Framing Elevation for 4' Vertical Facade  
FV39M/AA, Endwall Framing Elevation for 4' Vertical Facade  
FV46P/AA, Endwall Framing Elevation for 4' Vertical Facade  
FV47P/AA, Endwall Framing Elevation for 4' Vertical Facade  
FV48P/AA, Endwall Framing Elevation for 4' Vertical Facade  
FV49P/AA, Endwall Framing Elevation for 4' Vertical Facade  
FV56Q/AA, Endwall Framing Elevation for 4' Vertical Facade  
FV57Q/AA, Endwall Framing Elevation for 4' Vertical Facade  
FV58Q/AA, Endwall Framing Elevation for 4' Vertical Facade  
FV59Q/AA, Endwall Framing Elevation for 4' Vertical Facade  
FV60/AA, Typical Sidewall Framing Elevation For 5' Vertical Facade  
FV63/AA, S.W. Framing Return Elevations For 5' Vertical Frame  
FV65/AA, Typical Sidewall Framing Elevation for 5' Sloped Facade  
FV66/AA, Endwall Framing Elevation For 5' Vertical Facade  
FV67/AA, Endwall Framing Elevation For 5' Vertical Facade  
FV68/AA, Endwall Framing Elevation For 5' Vertical Facade  
FV69/AA, Endwall Framing Elevation For 5' Vertical Facade  
FV71/BB, Fastener Detail (Endwall Shown)  
FV72/BB, Section Thru 5' Facade at Sidewall  
FV73/BB, Section Thru Facade at Endwall  
FV76Q/AA, Endwall Framing Elevation For 5' Vertical Facade  
FV77Q/AA, Endwall Framing Elevation For 5' Vertical Facade  
FV78Q/AA, Endwall Framing Elevation For 5' Vertical Facade  
FV79Q/AA, Endwall Framing Elevation For 5' Vertical Facade  
FV80P/AA, Endwall Corner Returns For 5' Vertical Facade  
FV81Q/AA, Endwall Corner Returns For 5' Vertical Facade  
FV82M/AA, Endwall Corner Returns For 5' Vertical Facade  
FV86/AA, Endwall Framing Elevation For 5' Vertical Facade  
FV87M/AA, Endwall Framing Elevation For 5' Vertical Facade  
FV88M/AA, Endwall Framing Elevation For 5' Vertical Facade  
FV89M/AA, Endwall Framing Elevation For 5' Vertical Facade  
FV96P/AA, Endwall Framing Elevation For 5' Vertical Facade  
FV97P/AA, Endwall Framing Elevation For 5' Vertical Facade  
FV98P/AA, Endwall Framing Elevation For 5' Vertical Facade  
FV99P/AA, Endwall Framing Elevation For 5' Vertical Facade

Fastener Detail for Sloped Facade  
Architectural III or Long Span III Fascia and/or Soffits Long Span III Back Panels  
FS01/BB



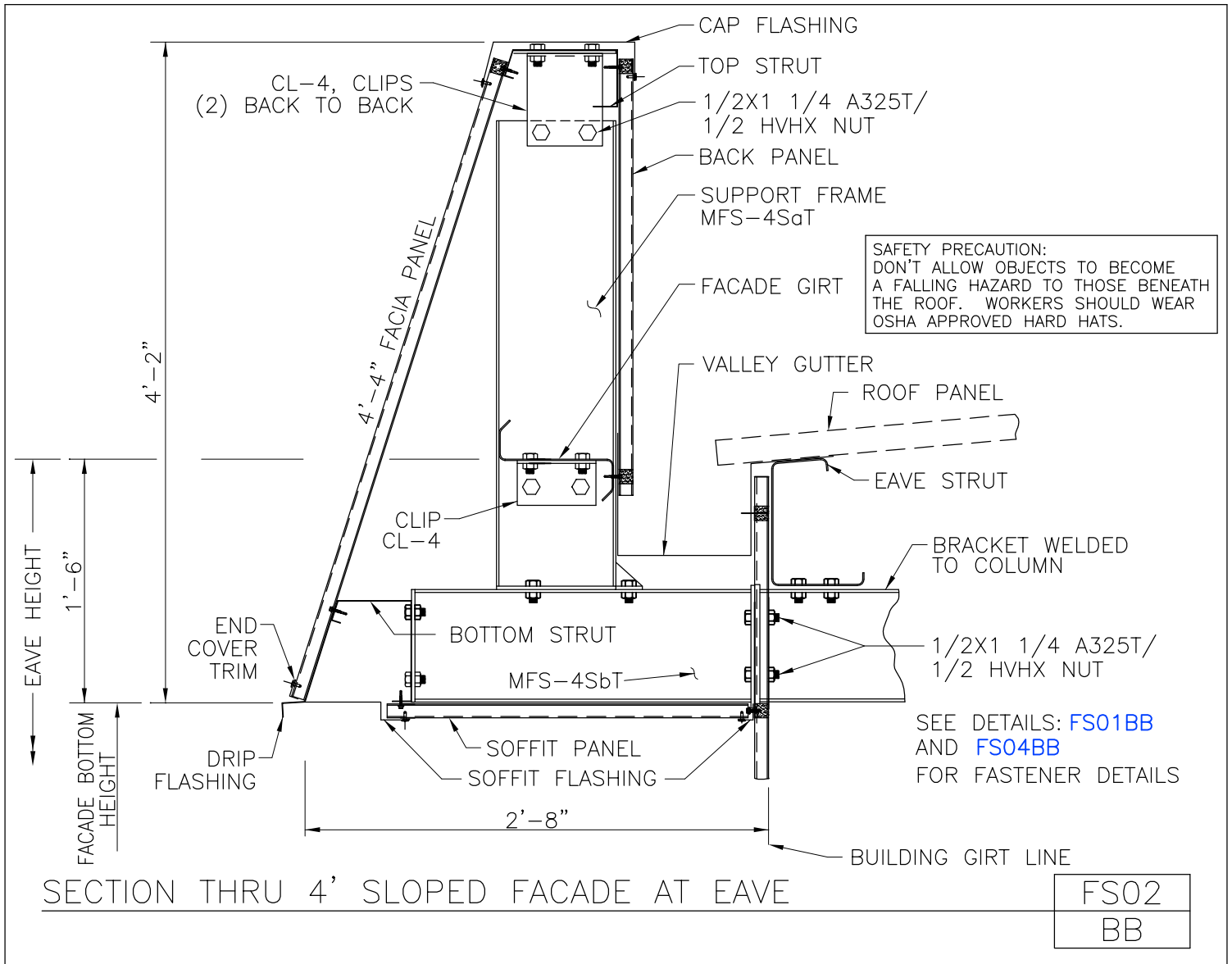
[Download the DWG file by clicking here.](#)

[To Section Index](#)



Section Through 4' Sloped Facade at Eave

FS02/BB

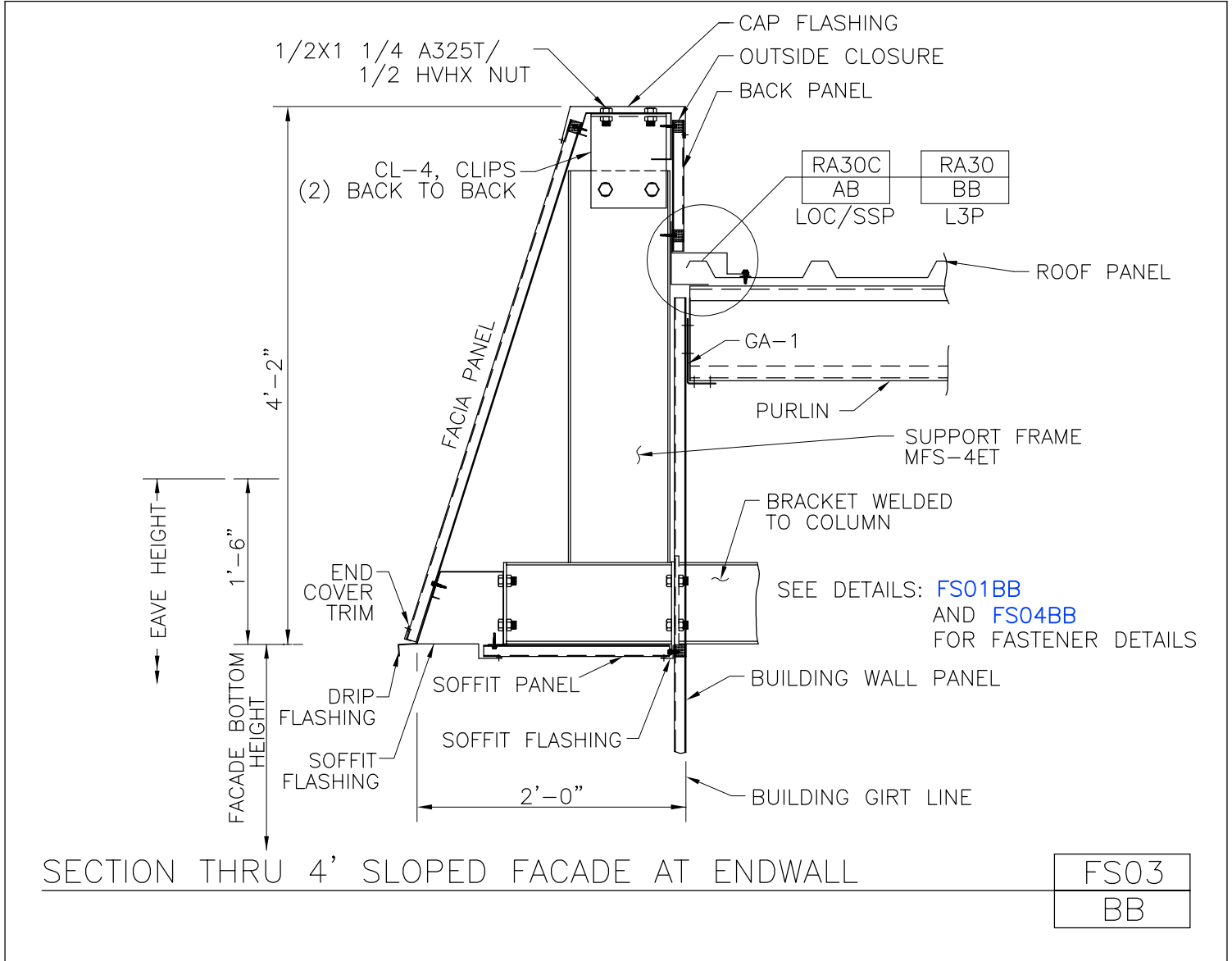


[Download the DWG file by clicking here.](#)

[To Section Index](#)

Section Thru 4' Sloped Facade at Endwall

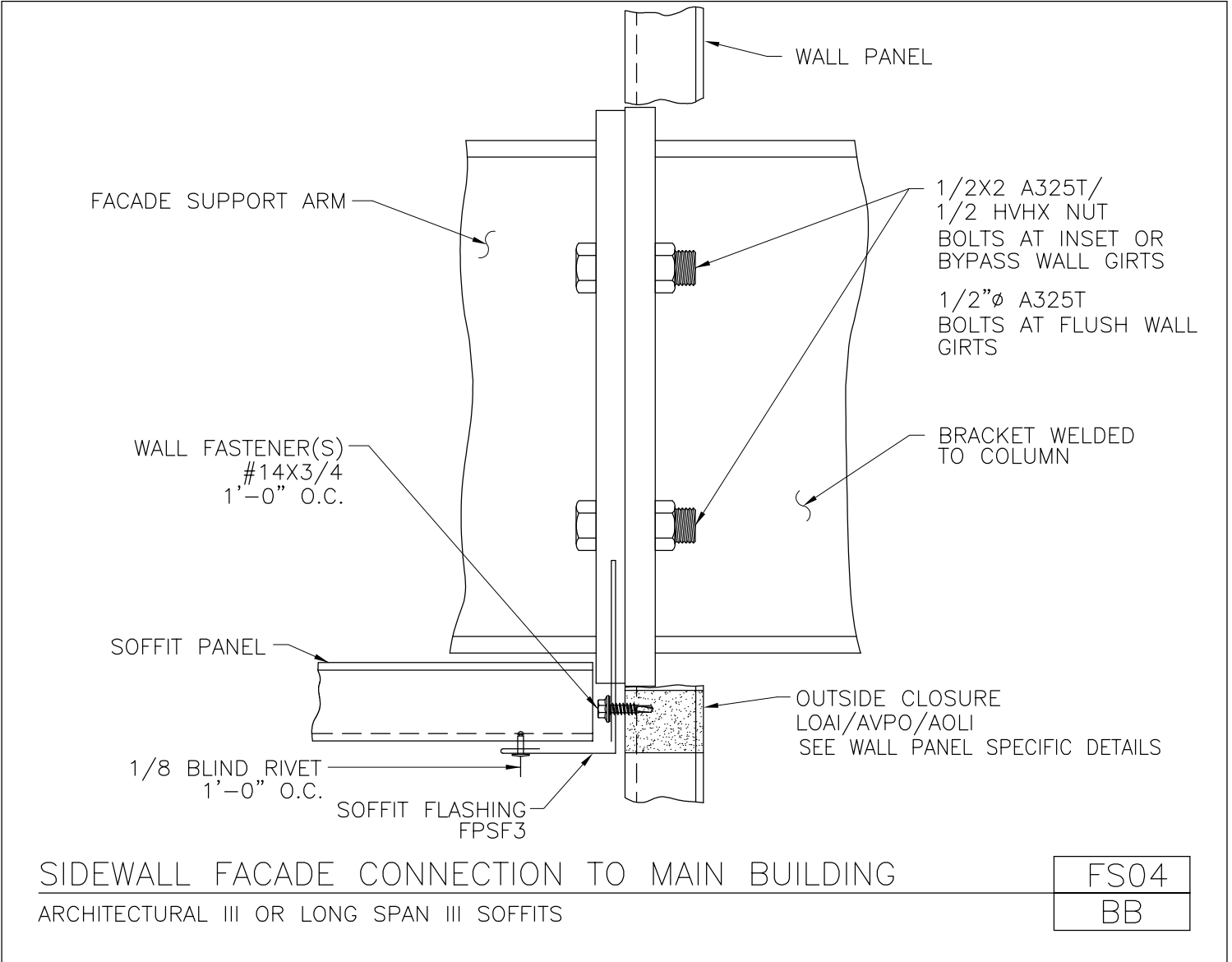
FS03/BB



[Download the DWG file by clicking here.](#)

[To Section Index](#)

Sidewall Facade Connection to Main Building  
Architectural III or Long Span III Soffits  
FS04/BB

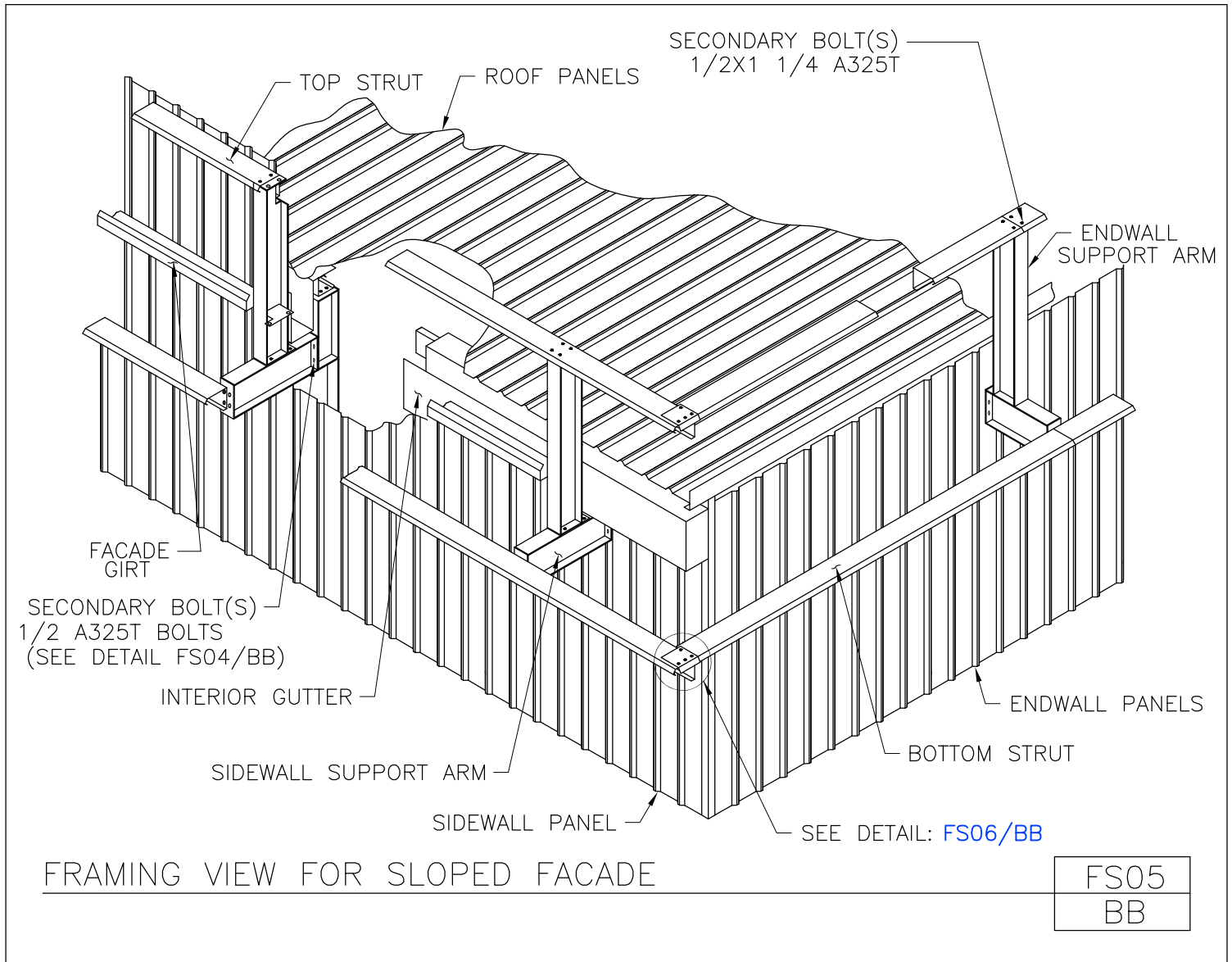


[Download the DWG file by clicking here.](#)

[To Section Index](#)

## Framing View For Sloped Facade

FS05/BB

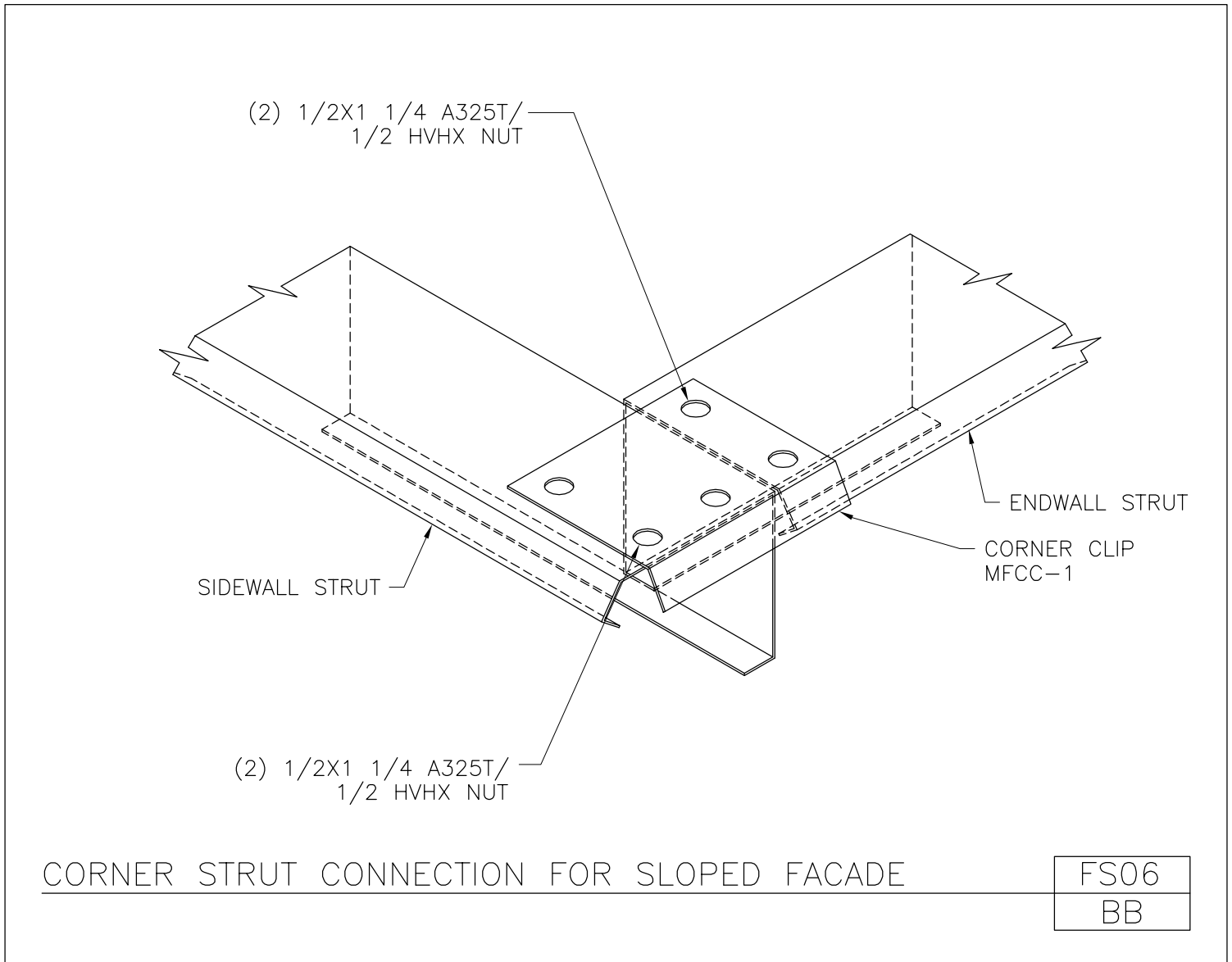


[Download the DWG file by clicking here.](#)

[To Section Index](#)

Corner Strut Connection for Sloped Facade

FS06/BB

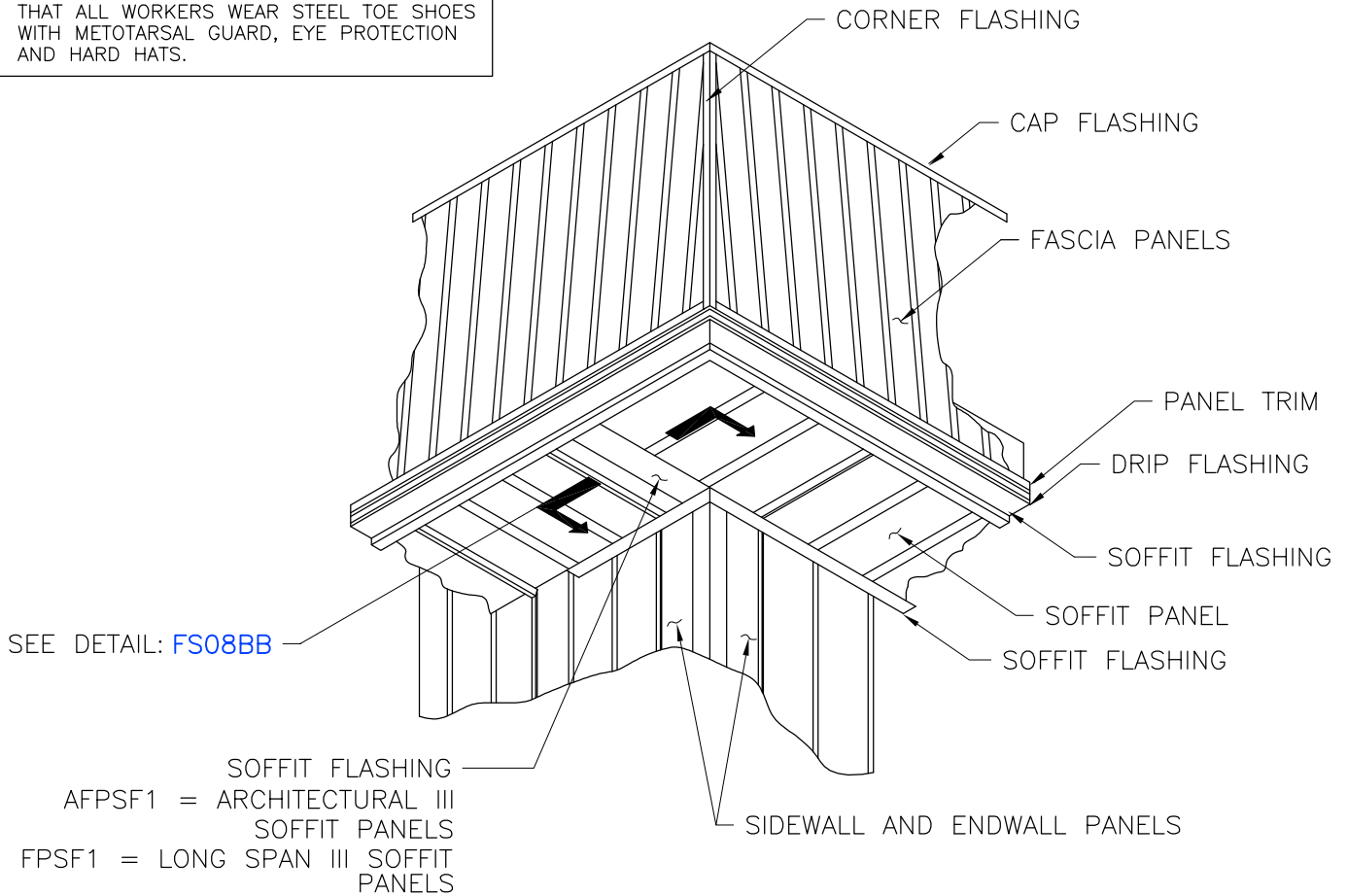


[Download the DWG file by clicking here.](#)

[To Section Index](#)

Soffit View For Sloped Facade  
Architectural or Long Span Soffits  
FS07/BB

**SAFETY PRECAUTION:**  
AMERICAN BUILDINGS COMPANY RECOMMENDS  
THAT ALL WORKERS WEAR STEEL TOE SHOES  
WITH METOTARSAL GUARD, EYE PROTECTION  
AND HARD HATS.



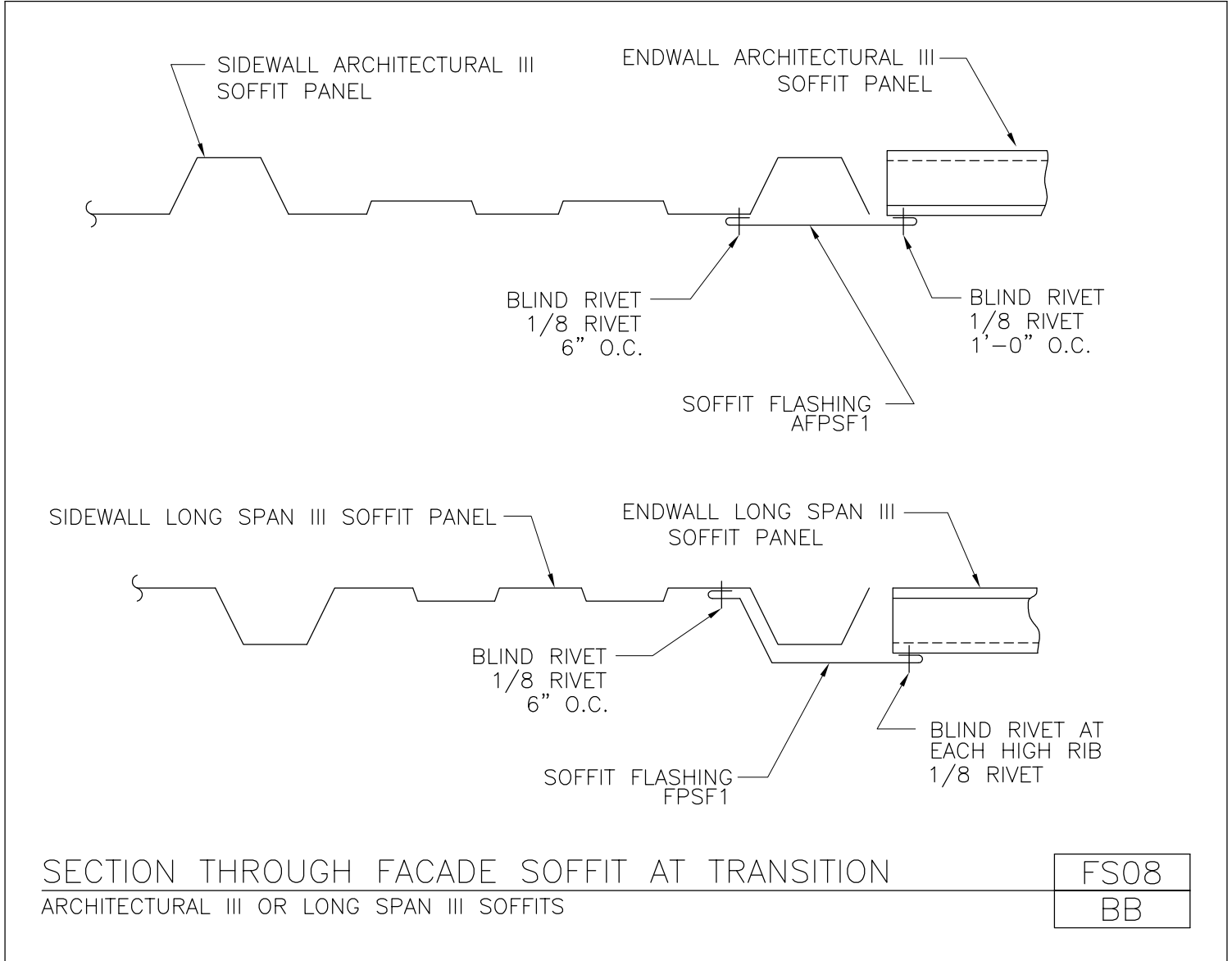
**SOFFIT VIEW FOR SLOPED FACADE**  
ARCHITECTURAL OR LONGSPAN SOFFITS

FS07
BB

[Download the DWG file by clicking here.](#)

[To Section Index](#)

Section Through Facade Soffit at Transition  
Architectural III or Long Span III Soffits  
FS08/BB

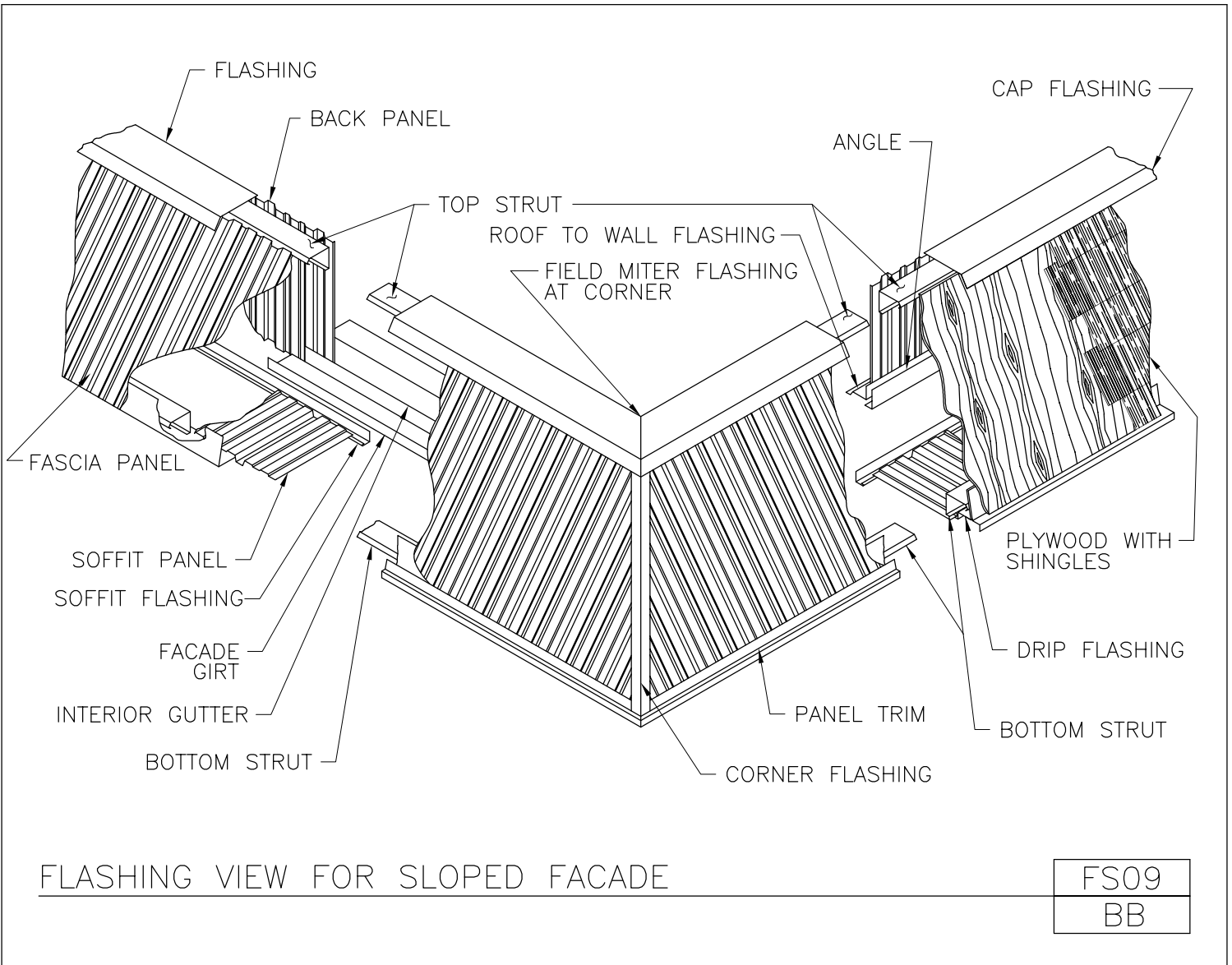


[Download the DWG file by clicking here.](#)

[To Section Index](#)

Flashing View For Sloped Facade

FS09/BB

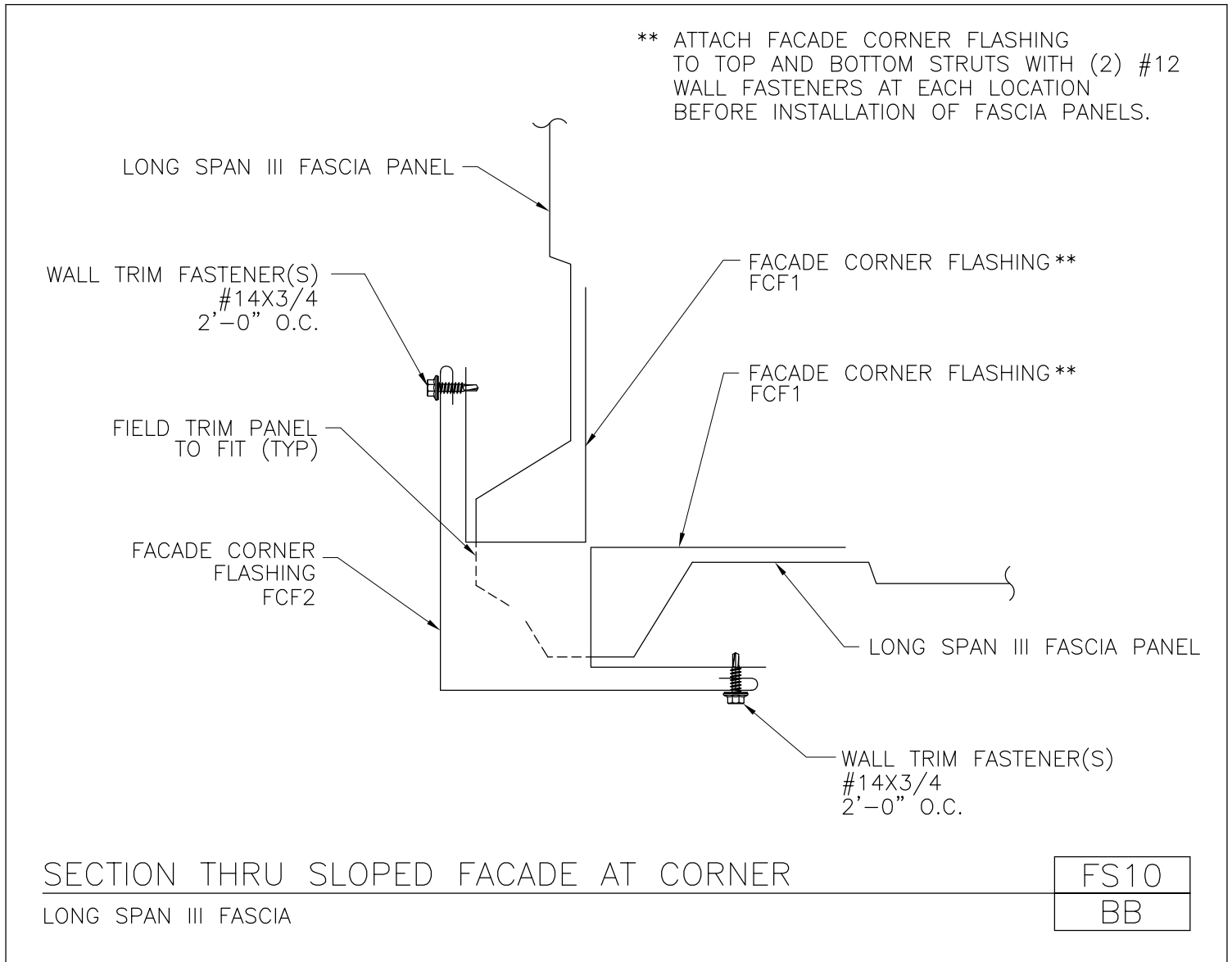


[Download the DWG file by clicking here.](#)

[To Section Index](#)



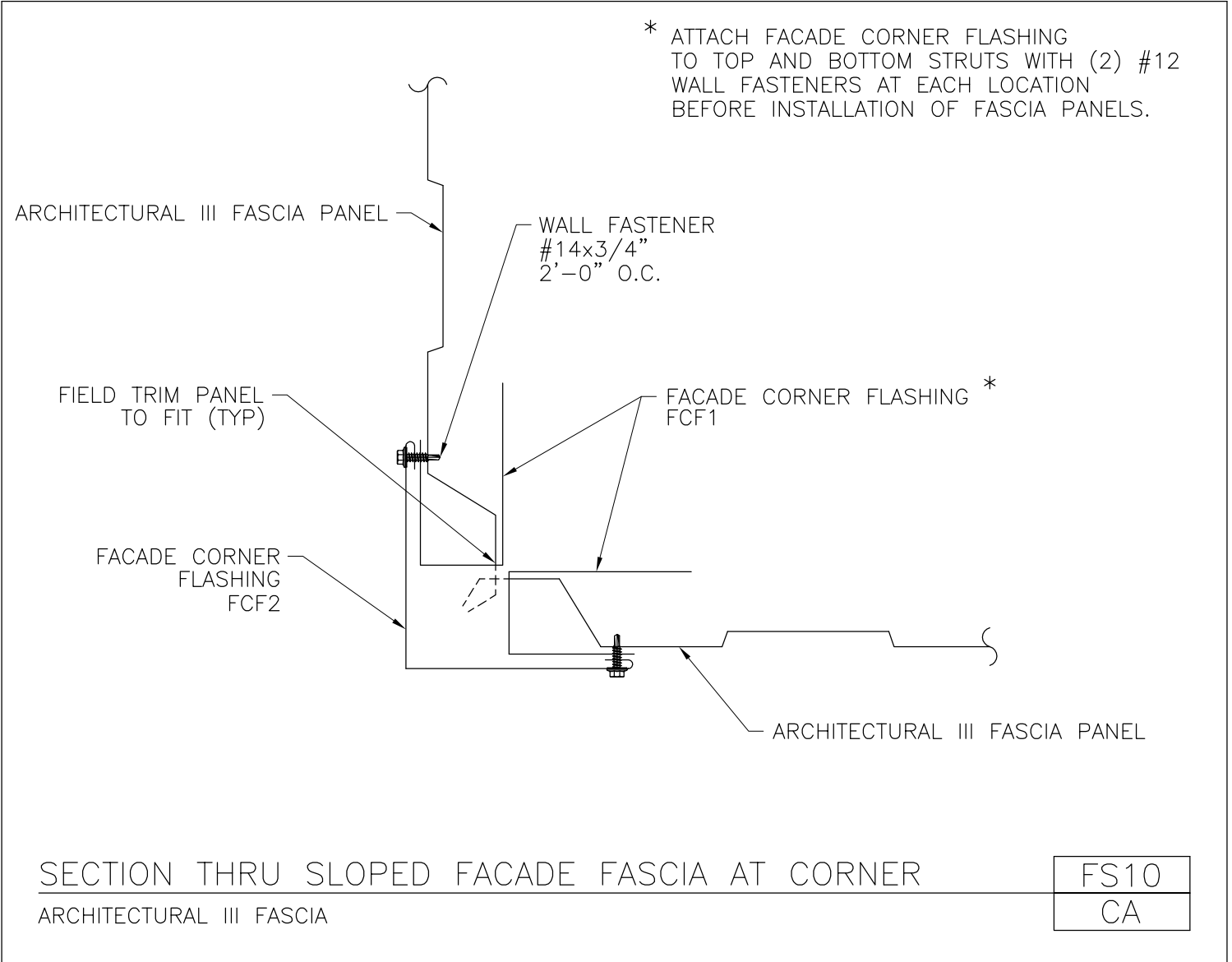
Section Thru Sloped Facade at Corner  
Long Span III Fascia  
FS10/BB



[Download the DWG file by clicking here.](#)

[To Section Index](#)

Section Thru Sloped Facade Fascia at Corner  
Architectural III Fascia  
FS10/CA

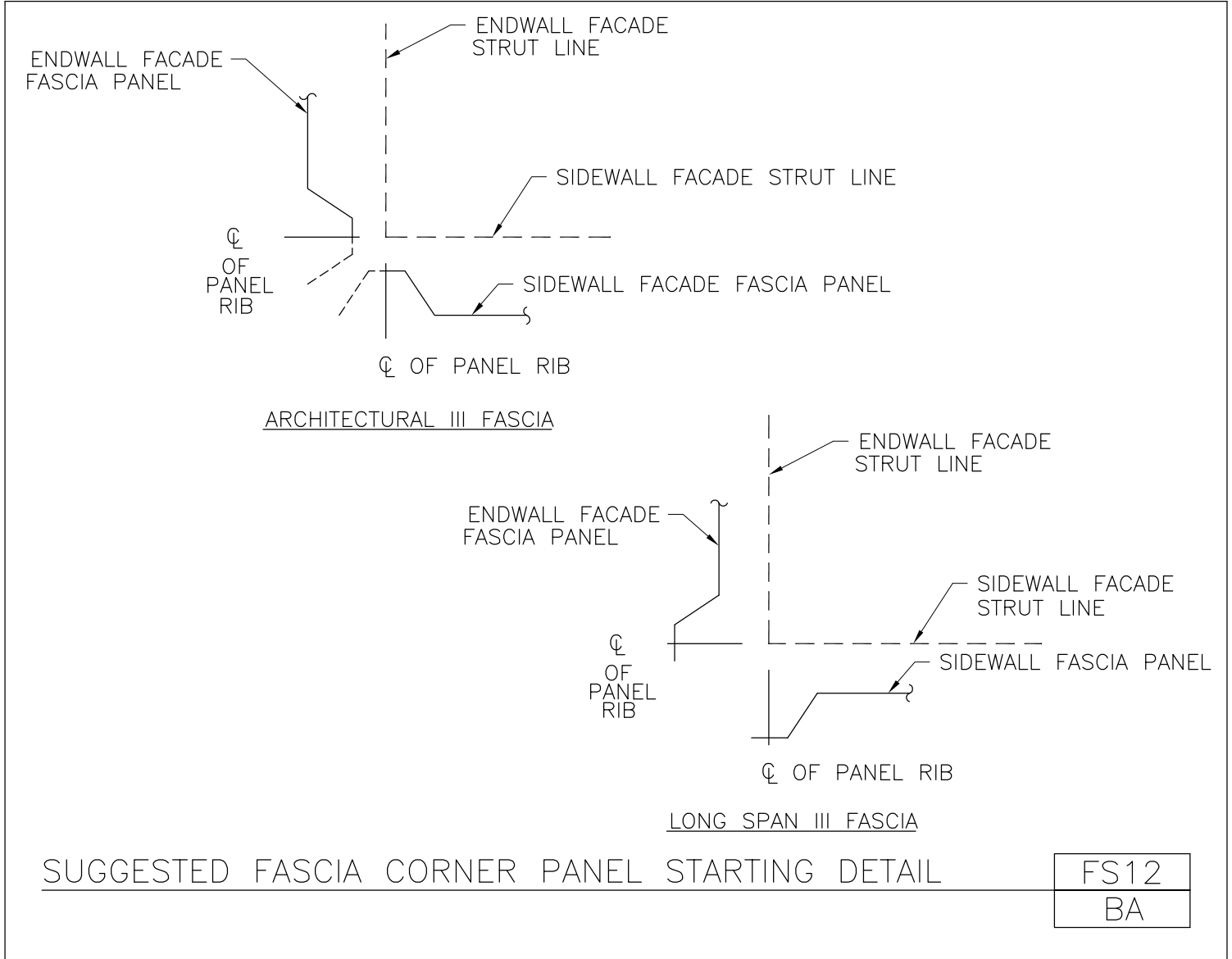


[Download the DWG file by clicking here.](#)

[To Section Index](#)

Suggested Fascia Corner Panel Starting Detail

FS12/BA



[Download the DWG file by clicking here.](#)

[To Section Index](#)

Facade General Notes

FS13/AA

1. ALL CONNECTIONS MADE WITH 1/2X1 1/4 A325T/ 1/2 HVHX NUT (UNLESS NOTED).
2. FOR PIECE MARKS OF FRAMING MEMBERS SEE SIDEWALL AND FRAMING ELEVATIONS.
3. FASCIA MAY BE ARCHITECTURAL III PANELS, LONG SPAN III PANELS, PLYWOOD WITH SHINGLES OR OTHER FACING, VARIOUS PLASTIC FACINGS, OR ANY OTHER SUITABLE ARRANGEMENT. BACK PANELS TO BE LONGSPAN.
4. TO ALIGN STRUTS, TEMPORARILY SHORE DURING ERECTION UNTIL FASCIA IS PERMANENTLY FASTENED TO STRUTS.
5. ALL FLASHING LAPS ARE MADE WITH BLIND RIVETS 2" O.C. CAULK LAPS AT CAP FLASHING AND ROOF TO WALL FLASHING WITH 1/4" CONTINUOUS BEAD OF CAULK.

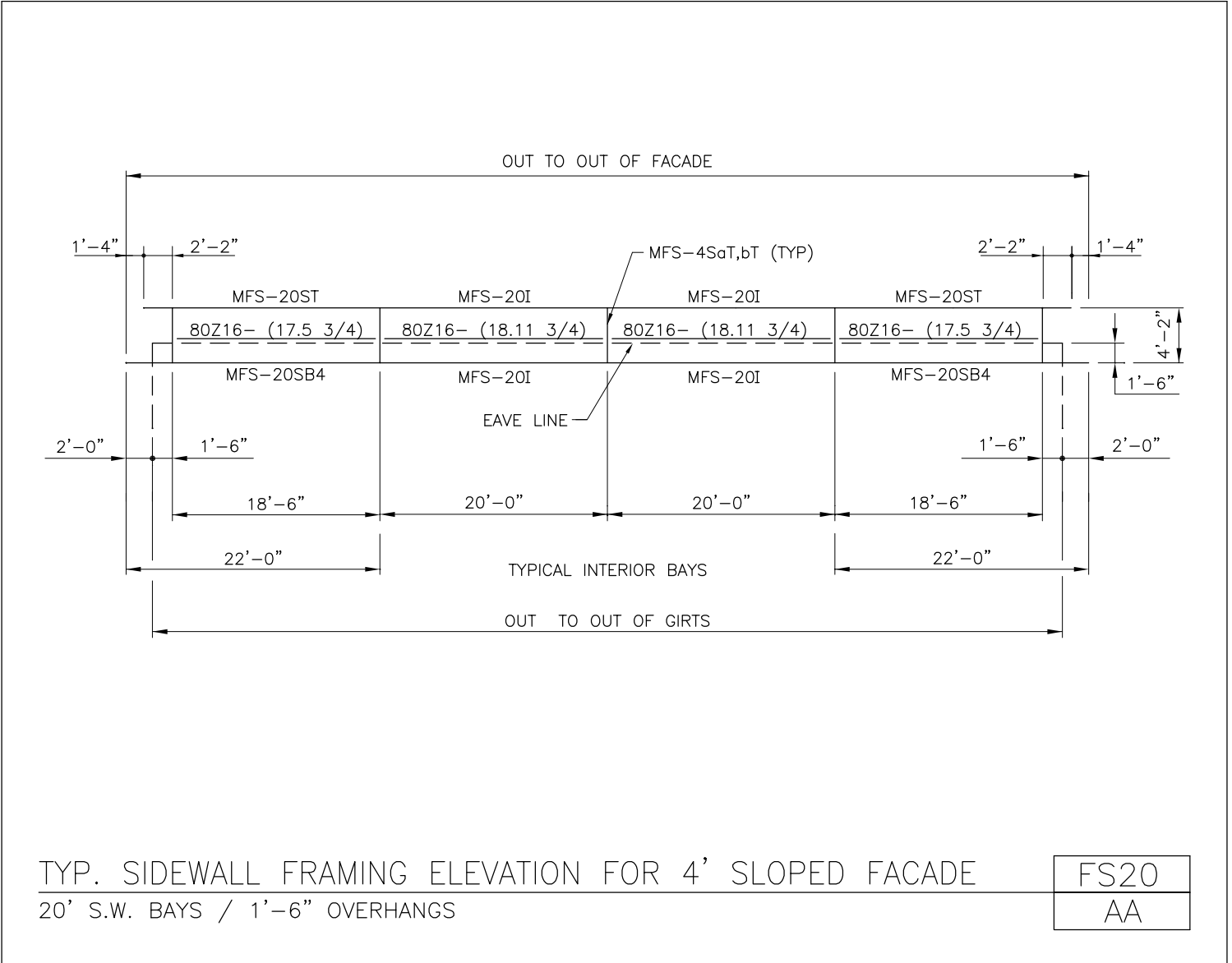
FACADE GENERAL NOTES

FS13
AA

[Download the DWG file by clicking here.](#)

[To Section Index](#)

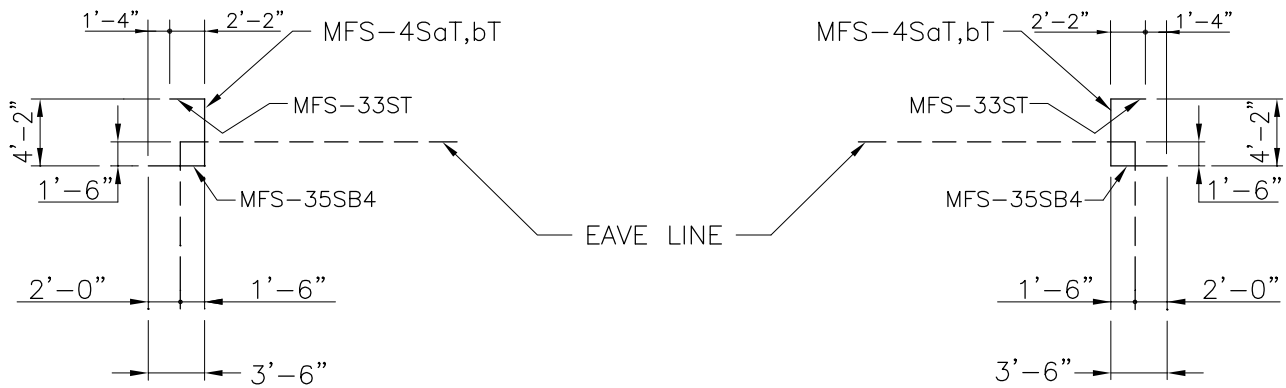
Typical Sidewall Framing Elevation for 4' Sloped Facade  
20' S.W. Bays / 1'-6" Overhangs  
FS20/AA



[Download the DWG file by clicking here.](#)

[To Section Index](#)

Sidewall Framing Return Elevations for 4' Sloped Facade  
1'-6" Overhang  
FS23/AA



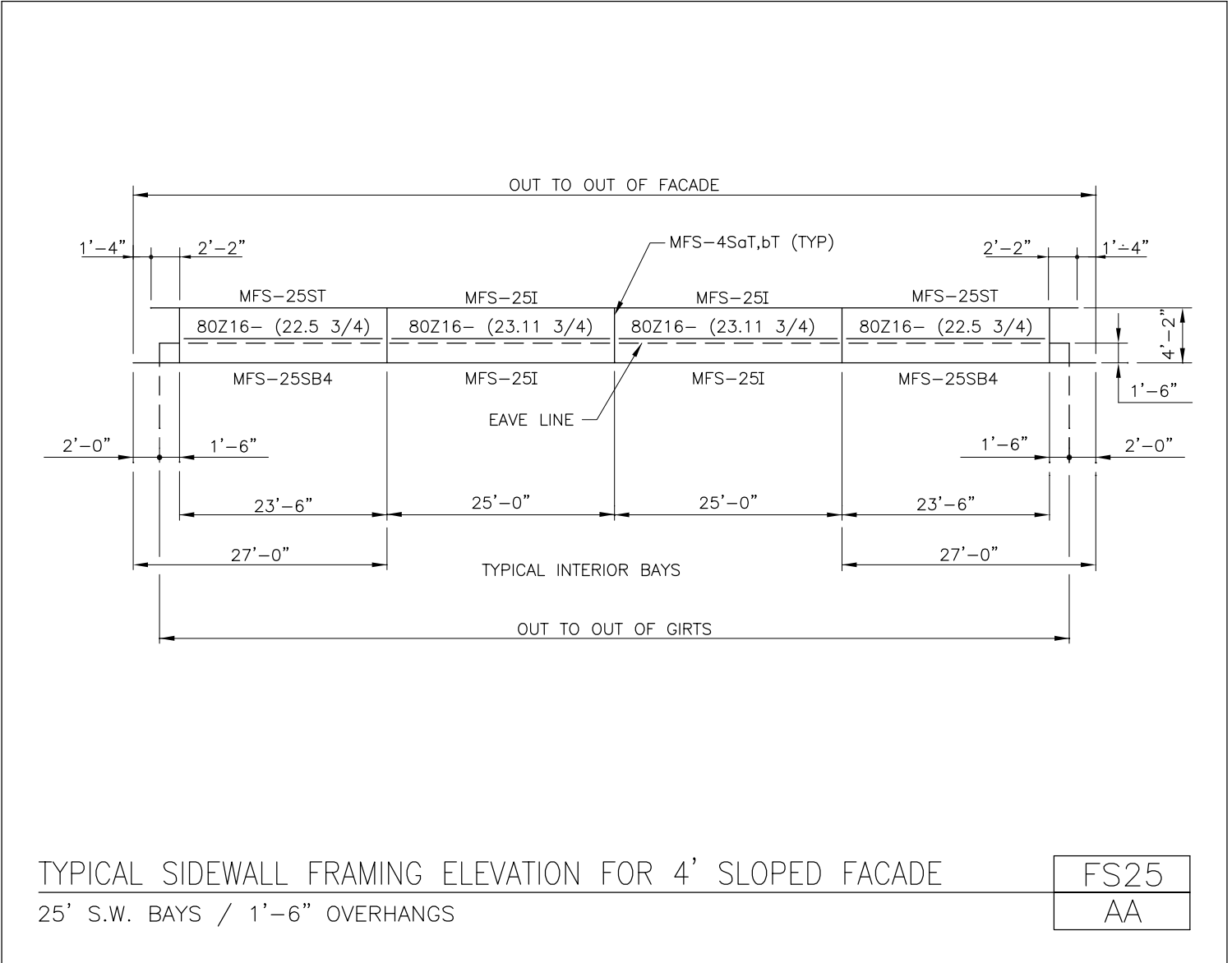
SIDEWALL FRAMING RETURN ELEVATIONS FOR 4' SLOPED FACADE  
1'-6" OVERHANG

FS23
AA

[Download the DWG file by clicking here.](#)

[To Section Index](#)

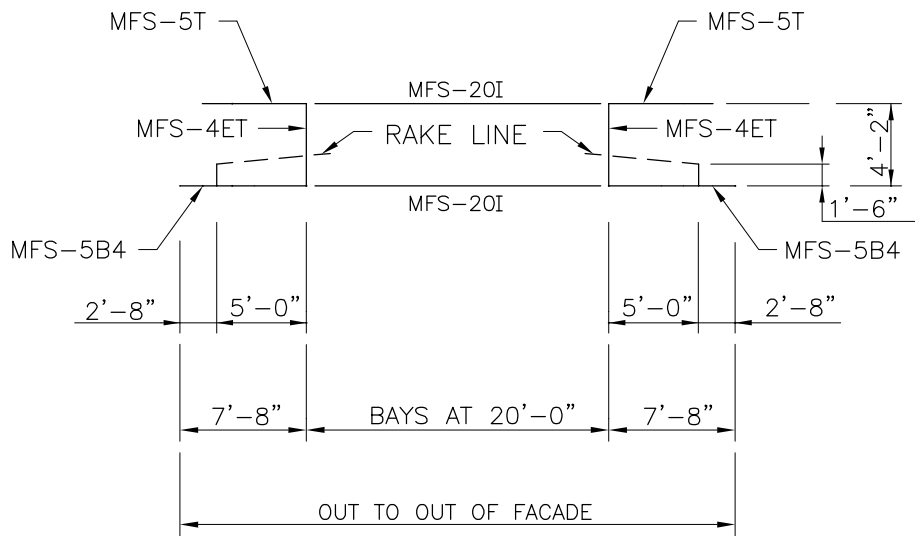
Typical Sidewall Framing Elevation for 4' Sloped Facade  
25' S.W. Bays / 1'-6" Overhangs  
FS25/AA



[Download the DWG file by clicking here.](#)

[To Section Index](#)

Endwall Framing Elevation for 4' Sloped Facade  
5' E.W. Endbays w/ Adjoining S.W. Facades  
FS26/AA



NOTE:  
ADJOINING SIDEWALL FACADES MUST EXTEND A MINIMUM OF (1) FULL SIDEWALL BAY FROM ENDWALL FACADES.

ENDWALL FRAMING ELEVATION FOR 4' SLOPED FACADE  
5' E.W. ENDBAYS W/ ADJOINING S.W. FACADES

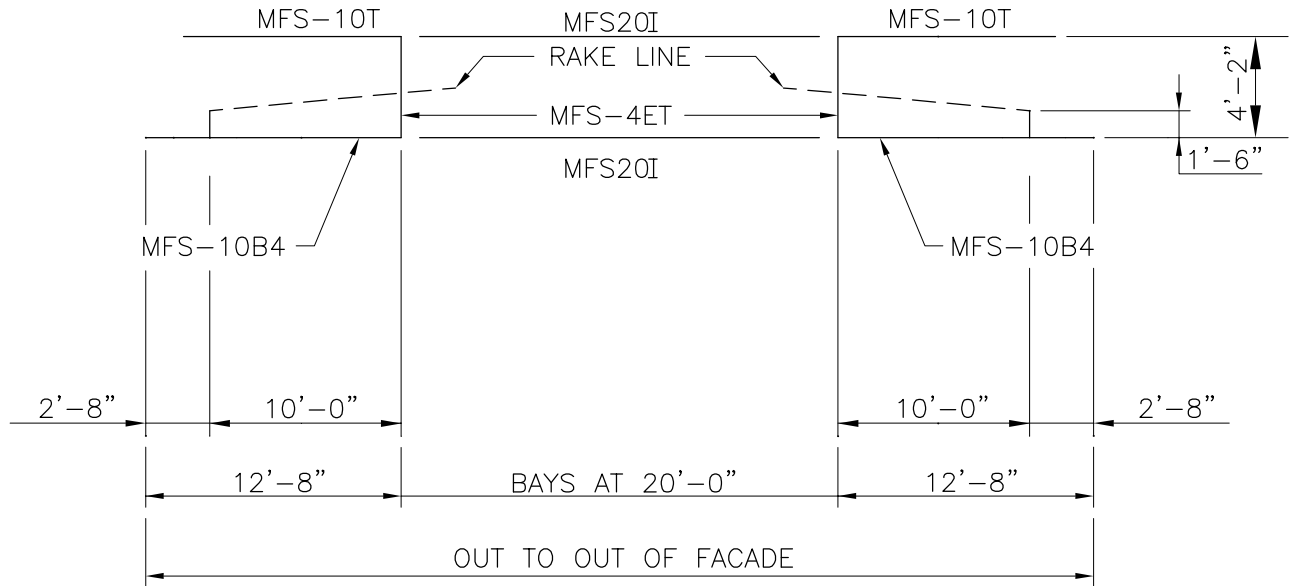
FS26
AA

[Download the DWG file by clicking here.](#)

[To Section Index](#)



Endwall Framing Elevation for 4' Sloped Facade  
10' E.W. Endbays w/ Adjoining S.W. Facades  
FS27/AA



**NOTE:**

ADJOINING SIDEWALL FACADES MUST EXTEND A  
MINIMUM OF (1) FULL SIDEWALL BAY FROM  
ENDWALL FACADES.

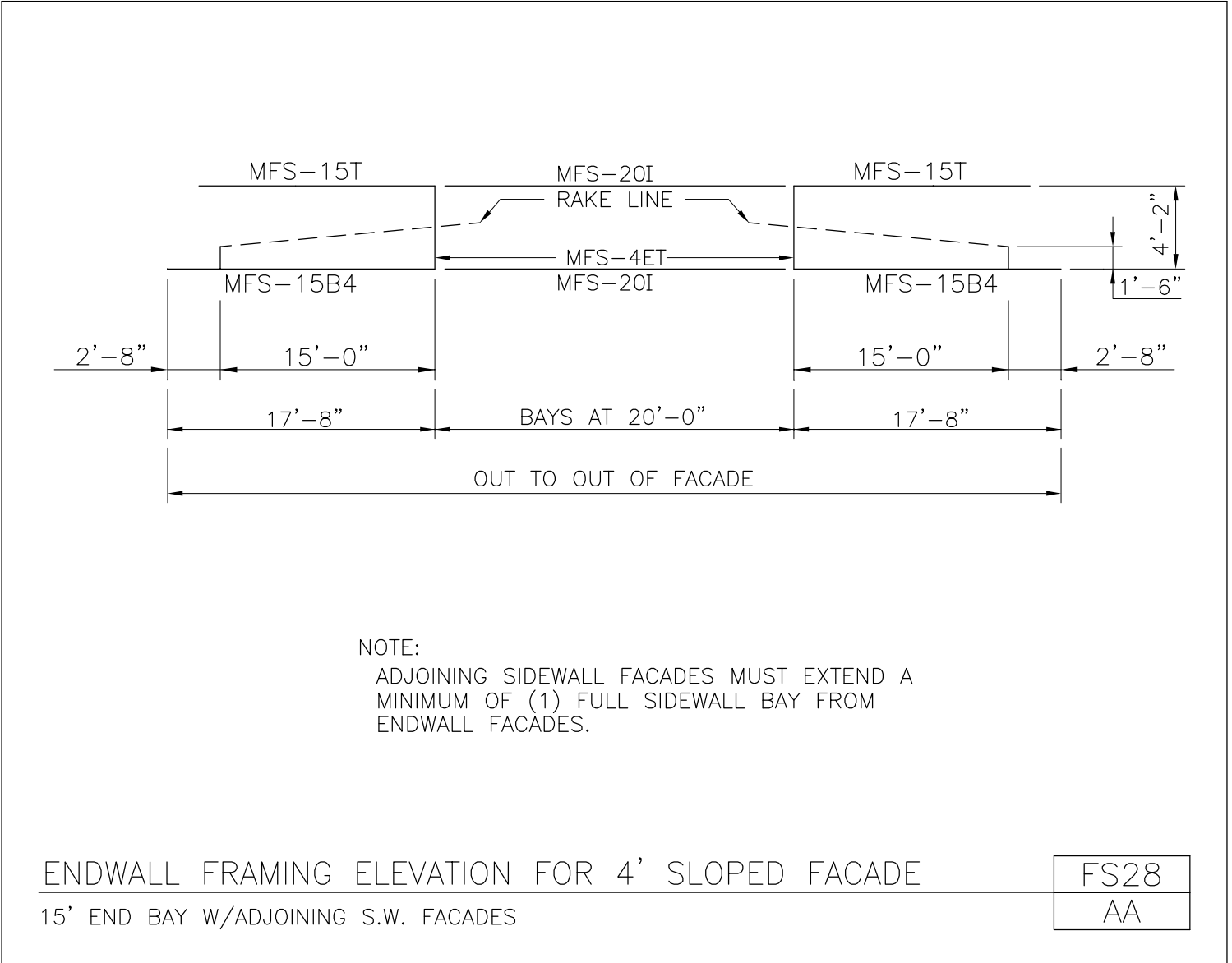
ENDWALL FRAMING ELEVATION FOR 4' SLOPED FACADE  
10' E.W. ENDBAYS W/ ADJOINING S.W. FACADES

FS27
AA

[Download the DWG file by clicking here.](#)

[To Section Index](#)

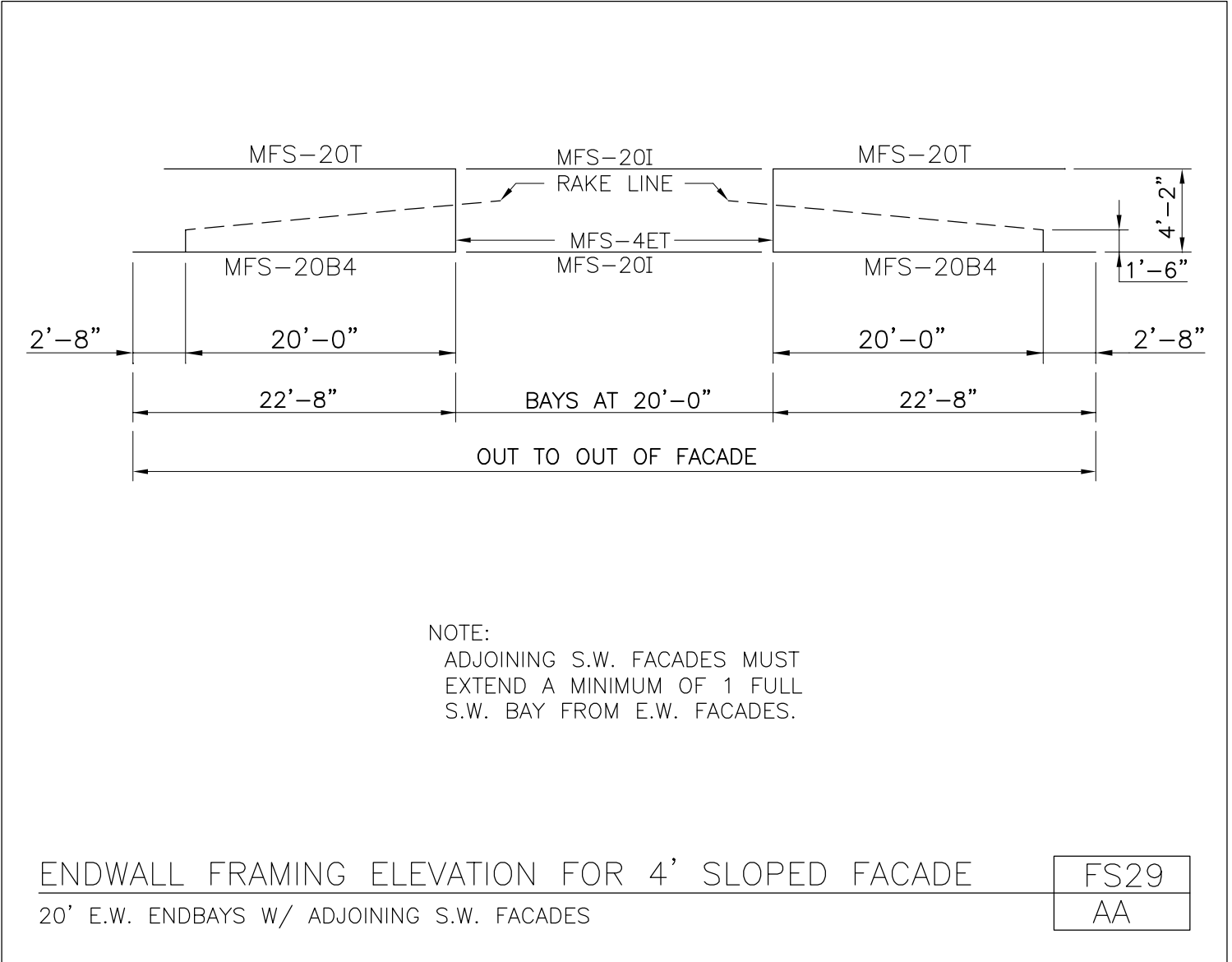
Endwall Framing Elevation for 4' Sloped Facade  
15' End Bay w/ Adjoining S.W. Facades  
FS28/AA



[Download the DWG file by clicking here.](#)

[To Section Index](#)

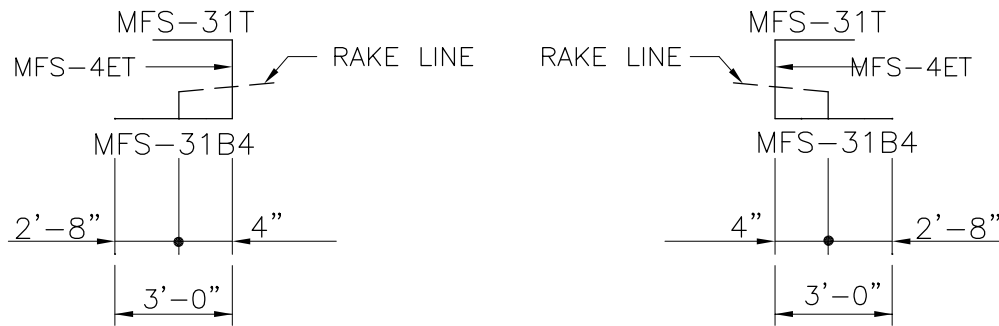
Endwall Framing Elevation for 4' Sloped Facade  
20' E.W. Endbays w/ Adjoining S.W. Facades  
FS29/AA



[Download the DWG file by clicking here.](#)

[To Section Index](#)

Endwall Corner Returns for 4' Sloped Facade  
Flush S.W. Girts  
FS30P/AA



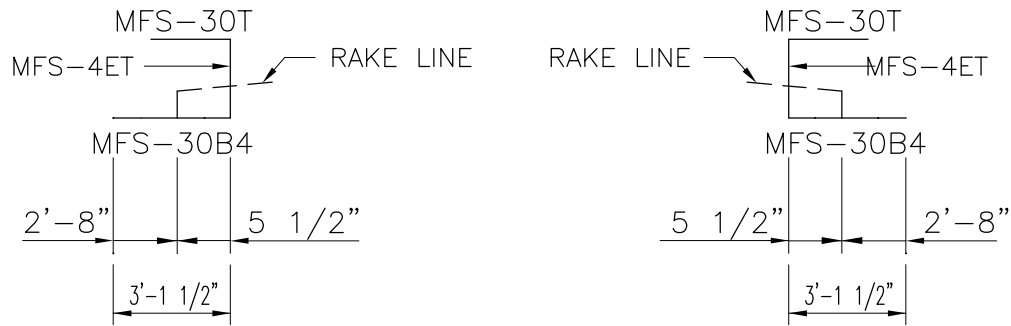
ENDWALL CORNER RETURNS FOR 4' SLOPED FACADE  
FLUSH S.W. GIRTS

FS30P
AA

[Download the DWG file by clicking here.](#)

[To Section Index](#)

Endwall Corner Returns for 4' Sloped Facade  
Inset S.W. Girts  
FS31Q/AA



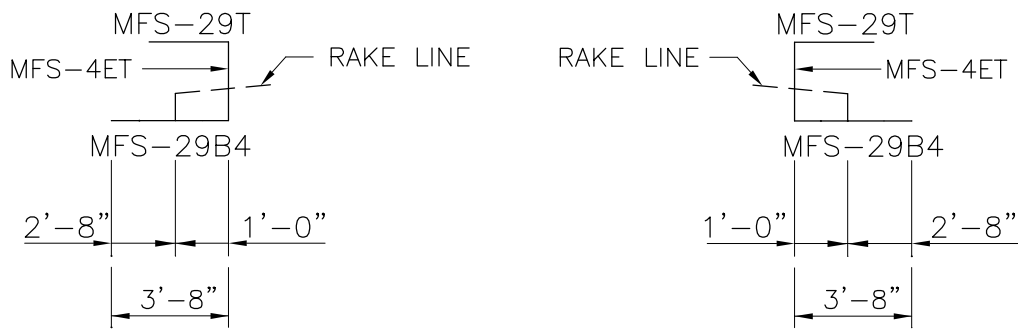
ENDWALL CORNER RETURNS FOR 4' SLOPED FACADE  
INSET S.W. GIRTS

FS31Q
AA

[Download the DWG file by clicking here.](#)

[To Section Index](#)

Endwall Corner Returns for 4' Sloped Facade  
8" By-Pass S.W. Girts  
FS32M/AA



ENDWALL CORNER RETURNS FOR 4' SLOPED FACADE  
8" BY-PASS S.W. GIRTS

FS32M
AA

[Download the DWG file by clicking here.](#)

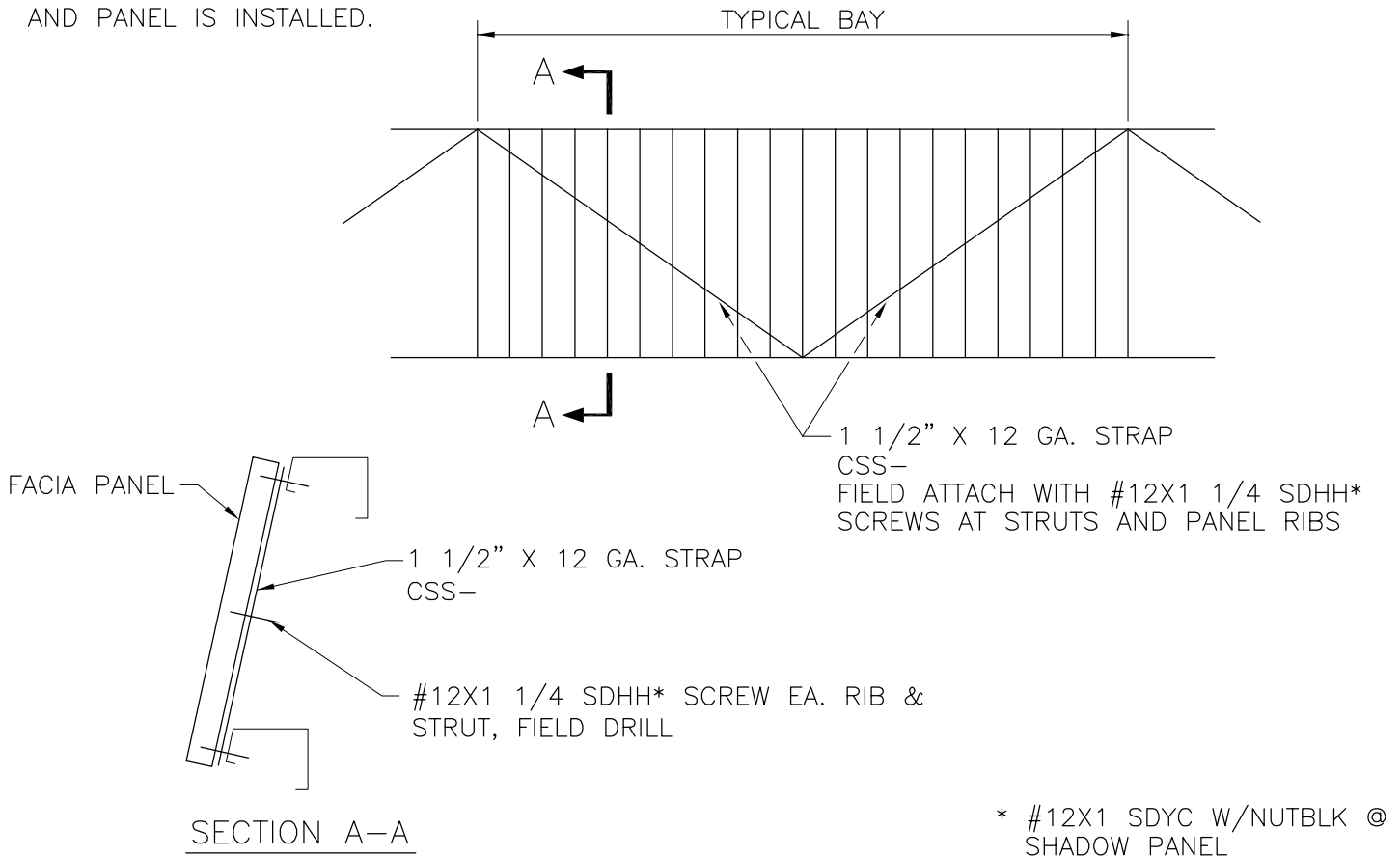
[To Section Index](#)

**Diagonal Strapping Detail at Sloped Facade**  
Shadow Panels/Stucco Choice Panels/ 30FT Bays All Panel Types  
FS35A/AA

**NOTE:**

STRUTS MUST BE ALIGNED BEFORE DIAGONAL STRAP AND PANEL IS INSTALLED.

ADD 1 1/2" X 12 GA. STRAP DIAGONAL AS SHOWN BY THE DETAIL BELOW:



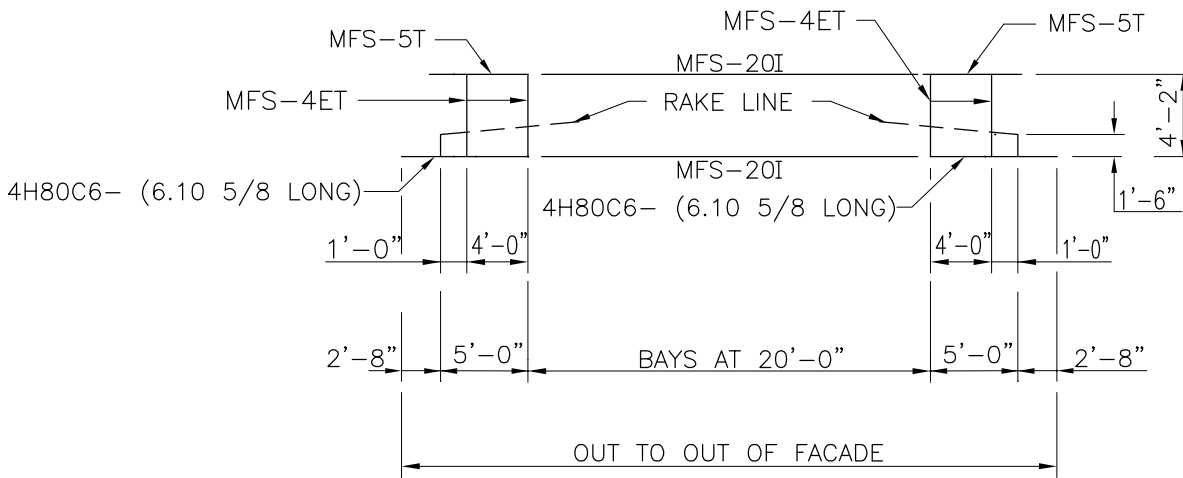
**DIAGONAL STRAPPING DETAIL AT SLOPED FACADE**  
SHADOW PANELS/STUCCO CHOICE PANELS/30FT BAYS ALL PANEL TYPES

FS35A
AA

[Download the DWG file by clicking here.](#)

[To Section Index](#)

Endwall Framing Elevation For 4' Sloped Facade  
5'-0" E.W. Endbays (w/o S.W. Facades) 8" By-pass S.W. Girts  
FS36M/AA



SAFETY PRECAUTION:  
USE OSHA APPROVED TIE OFFS, NETTING  
OR RAILING WHEN WORKING ON ROOF AREAS.

ENDWALL FRAMING ELEVATION FOR 4' SLOPED FACADE

5'-0" E.W. ENDBAYS (W/O S.W. FACADES)  
8" BY-PASS S.W. GIRTS

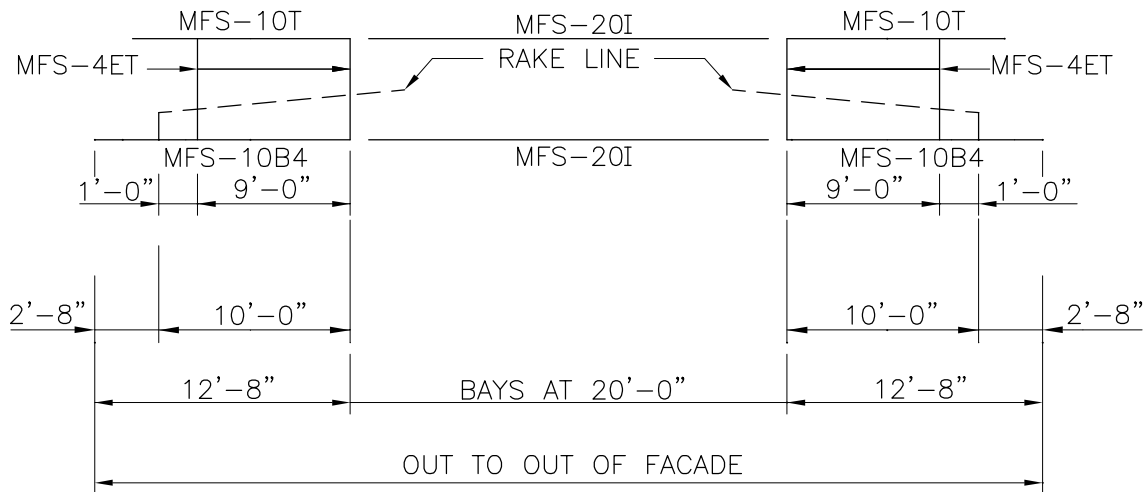
FS36M
AA

[Download the DWG file by clicking here.](#)

[To Section Index](#)



Endwall Framing Elevation for 4' Sloped Facade  
 10' E.W. Endbays (w/o S.W. Facades) 8" By-pass S.W. Girts  
 FS37M/AA



THINK SAFETY

ENDWALL FRAMING ELEVATION FOR 4' SLOPED FACADE

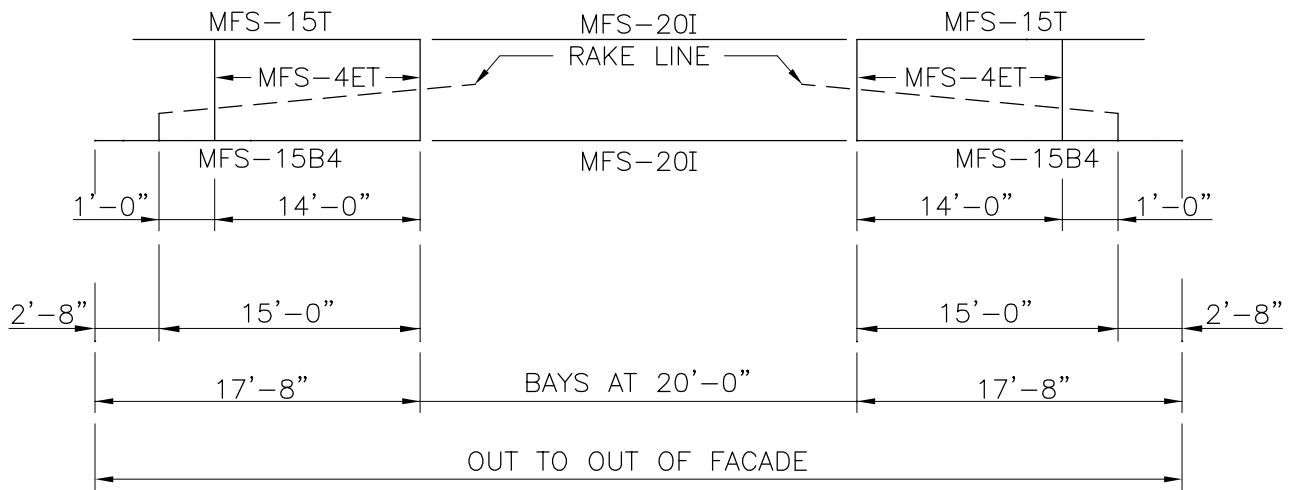
10' E.W. ENDBAYS (W/O S.W. FACADES)  
 8" BY-PASS S.W. GIRTS

FS37M
AA

[Download the DWG file by clicking here.](#)

[To Section Index](#)

Endwall Framing Elevation For 4' Sloped Facade  
 15' E.W. Endbays (w/o S.W. Facades) 8" By-pass S.W. Girts  
 FS38M/AA



THINK SAFETY

ENDWALL FRAMING ELEVATION FOR 4' SLOPED FACADE

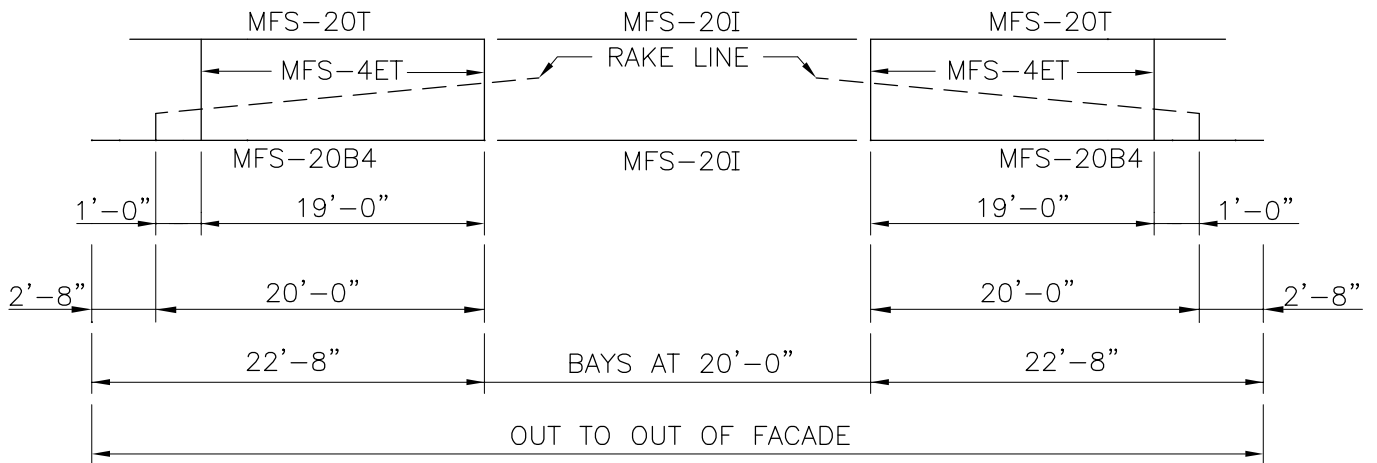
15' E.W. ENDBAYS (W/O S.W. FACADES)  
 8" BY-PASS S.W. GIRTS

FS38M
AA

[Download the DWG file by clicking here.](#)

[To Section Index](#)

Endwall Framing Elevation For 4' Sloped Facade  
 20' E.W. Endbays (w/o S.W. Facades) 8" By-pass S.W. Girts)  
 FS39M/AA



THINK SAFETY

ENDWALL FRAMING ELEVATION FOR 4' SLOPED FACADE

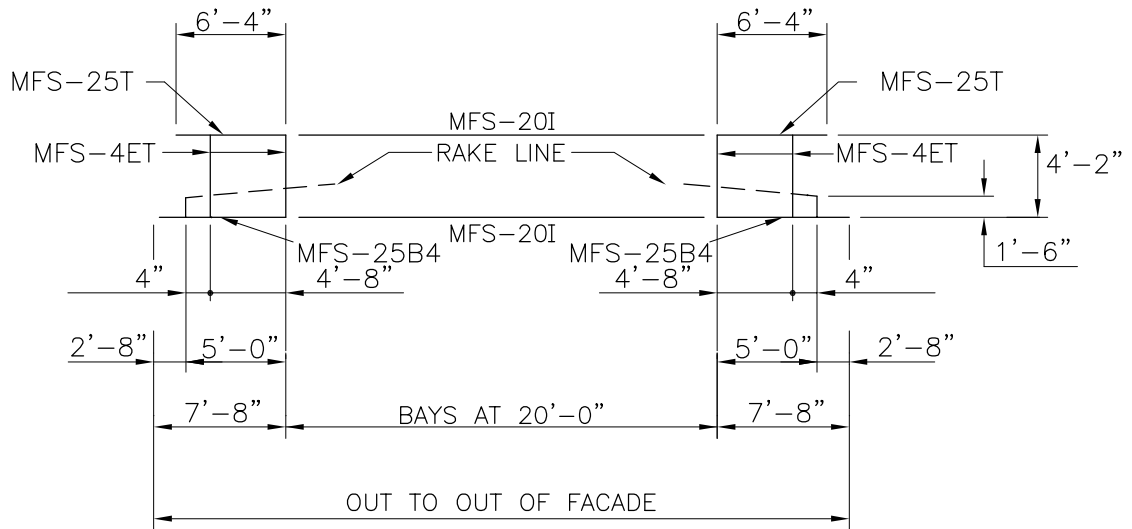
20' E.W. ENDBAYS (W/O S.W. FACADES)  
 8" BY-PASS S.W. GIRTS

FS39M
AA

[Download the DWG file by clicking here.](#)

[To Section Index](#)

Endwall Framing Elevation For 4' Sloped Facade  
5' E.W. Endbays (w/o S.W. Facades) Flush S.W. Girts  
FS46P/AA



THINK SAFETY

ENDWALL FRAMING ELEVATION FOR 4' SLOPED FACADE

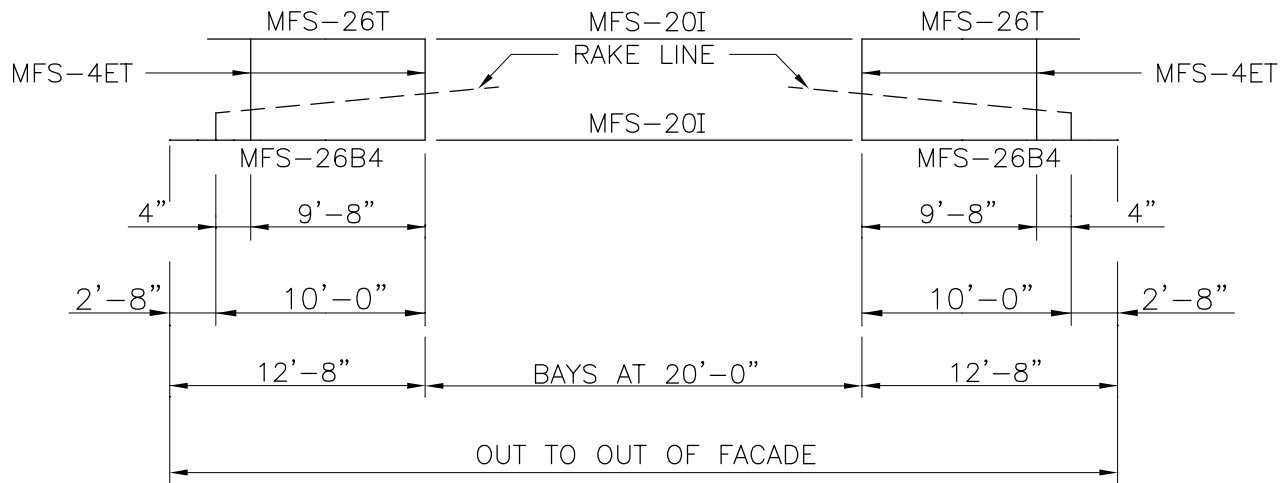
5' E.W. ENDBAYS (W/O S.W. FACADES)  
FLUSH S.W. GIRTS

FS46P
AA

[Download the DWG file by clicking here.](#)

[To Section Index](#)

Endwall Framing Elevation For 4' Sloped Facade  
10' E.W. Endbays (w/o S.W. Facades) Flush S.W. Girts  
FS47P/AA



**SAFETY NOTE:**  
USE APPROVED TIE OFFS,  
NETTING OR RAILS WHEN  
WORKING ON ROOF SURFACES.

THINK SAFETY

ENDWALL FRAMING ELEVATION FOR 4' SLOPED FACADE

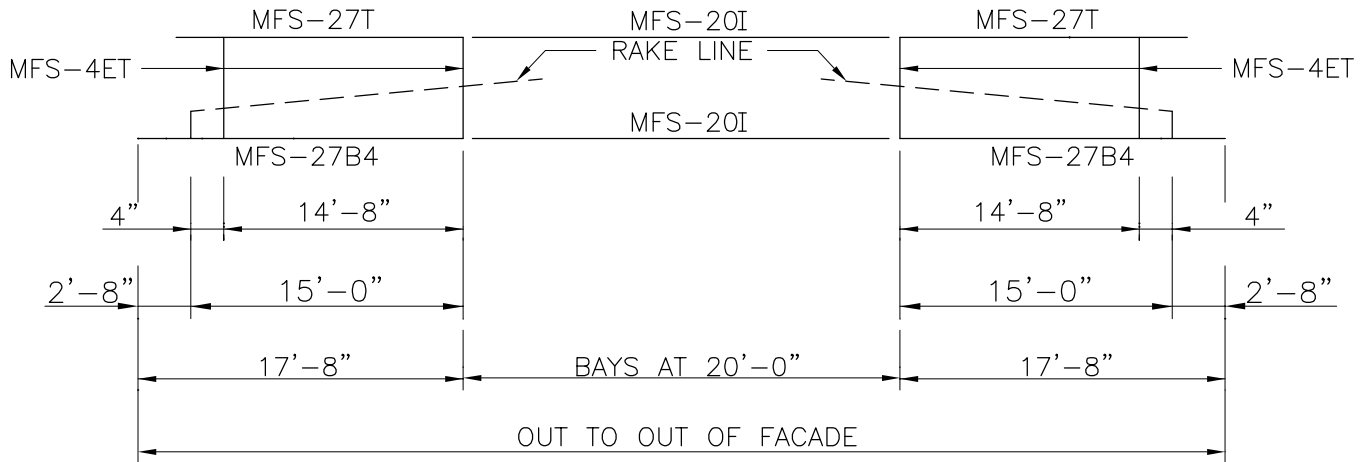
10' E.W. ENDBAYS (W/O S.W. FACADES)  
FLUSH S.W. GIRTS

FS47P
AA

[Download the DWG file by clicking here.](#)

[To Section Index](#)

Endwall Framing Elevation For 4' Sloped Facade  
15' E.W. Endbays (w/o S.W. Facades) Flush S.W. Girts  
FS48P/AA



THINK SAFETY

ENDWALL FRAMING ELEVATION FOR 4' SLOPED FACADE

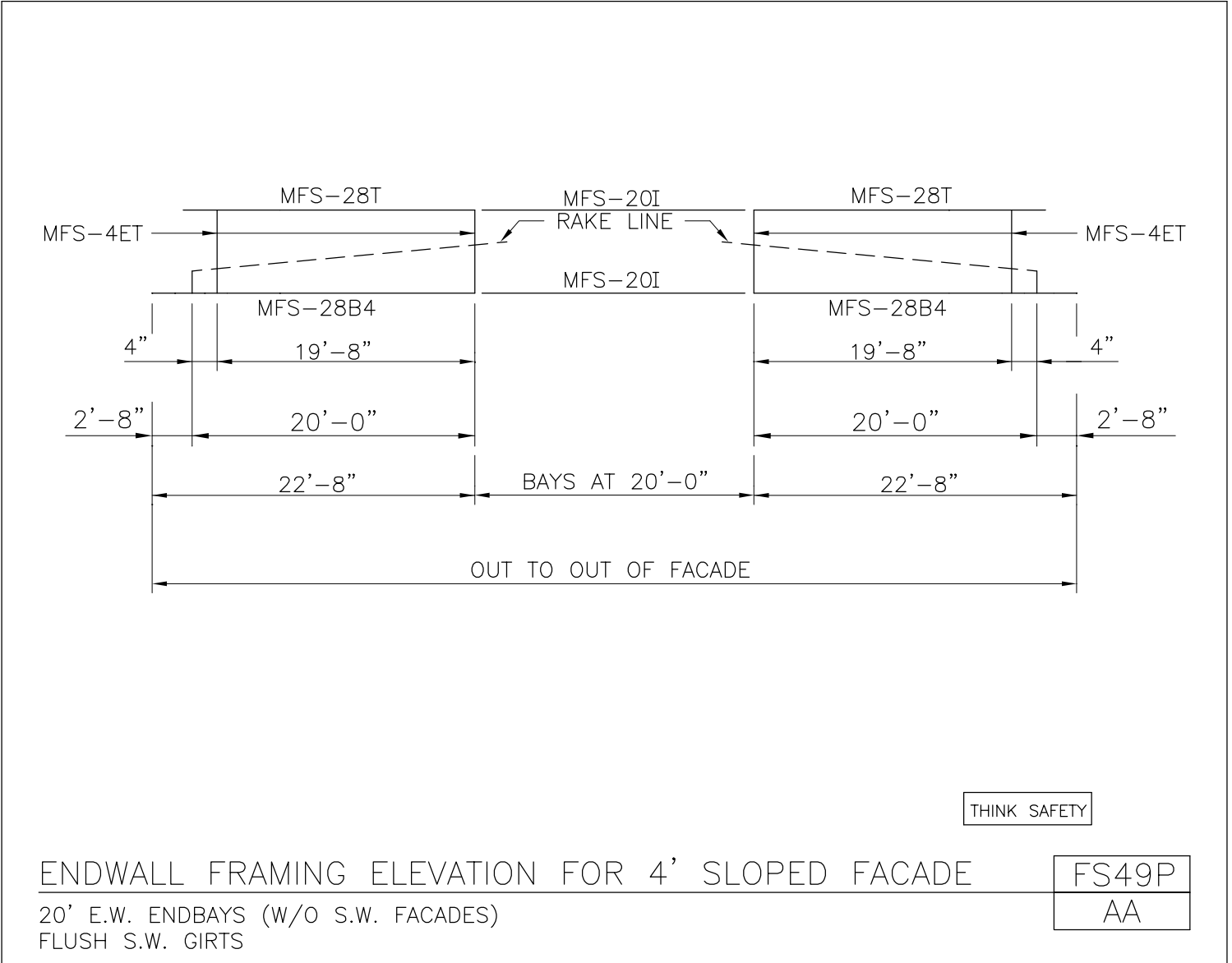
15' E.W. ENDBAYS (W/O S.W. FACADES)  
FLUSH S.W. GIRTS

FS48P
AA

[Download the DWG file by clicking here.](#)

[To Section Index](#)

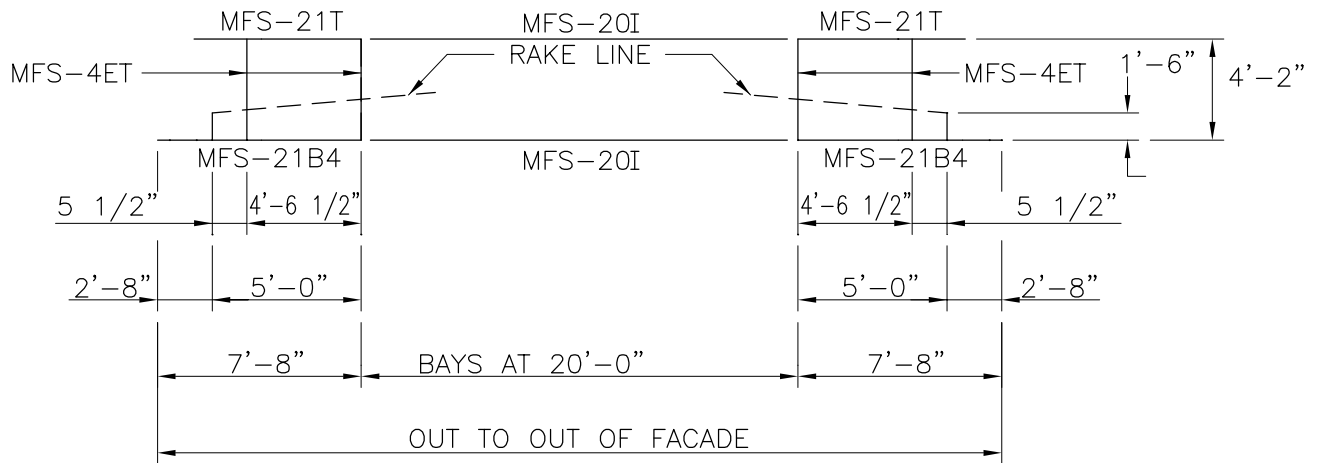
Endwall Framing Elevation For 4' Sloped Facade  
20' E.W. Endbays (w/o S.W. Facades) Flush S.W. Girts  
FS49P/AA



[Download the DWG file by clicking here.](#)

[To Section Index](#)

Endwall Framing Elevation For 4' Sloped Facade  
5' E.W. Endbays (w/o S.W. Facades) Inset S.W. Girts  
FS56Q/AA



THINK SAFETY

ENDWALL FRAMING ELEVATION FOR 4' SLOPED FACADE

5' E.W. ENDBAYS (W/O S.W. FACADES)

INSET S.W. GIRTS

FS56Q

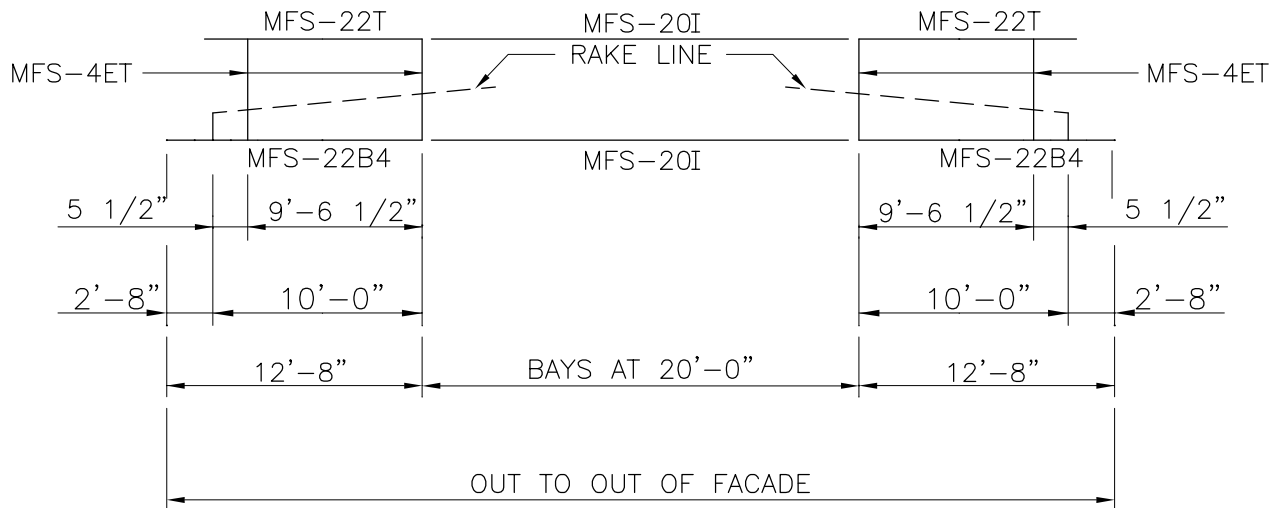
AA

[Download the DWG file by clicking here.](#)

[To Section Index](#)



Endwall Framing Elevation For 4' Sloped Facade  
10' E.W. Endbays (w/o S.W. Facades) Inset S.W. Girts  
FS57Q/AA



THINK SAFETY

ENDWALL FRAMING ELEVATION FOR 4' SLOPED FACADE

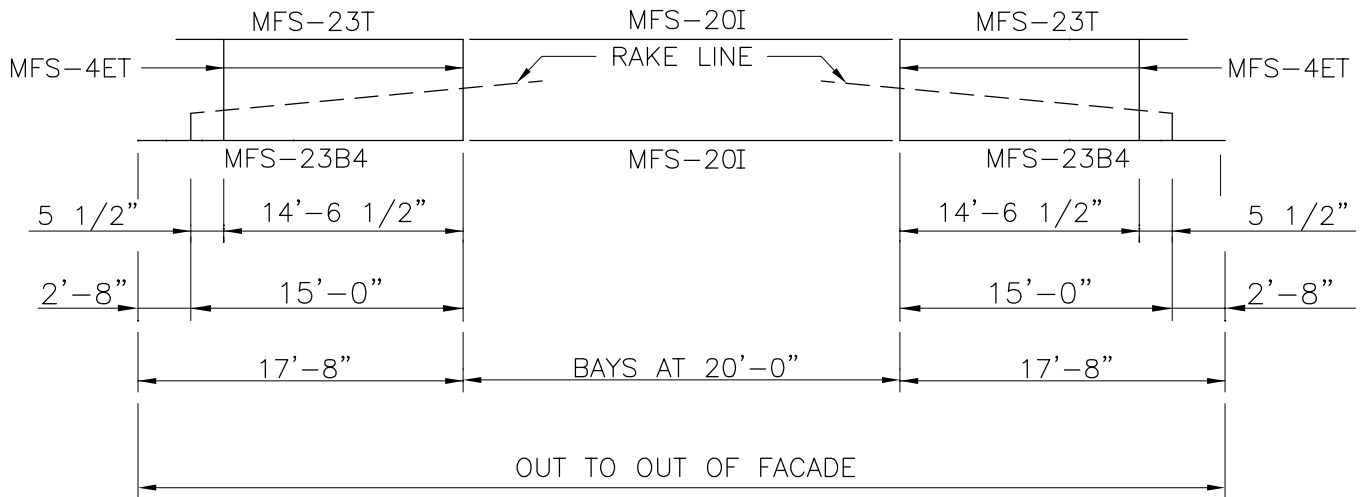
10' E.W. ENDBAYS (W/O S.W. FACADES)  
INSET S.W. GIRTS

FS57Q
AA

[Download the DWG file by clicking here.](#)

[To Section Index](#)

Endwall Framing Elevation For 4' Sloped Facade  
15' E.W. Endbays (w/o S.W. Facades) Inset S.W. Girts  
FS58Q/AA



THINK SAFETY

ENDWALL FRAMING ELEVATION FOR 4' SLOPED FACADE

FS58Q

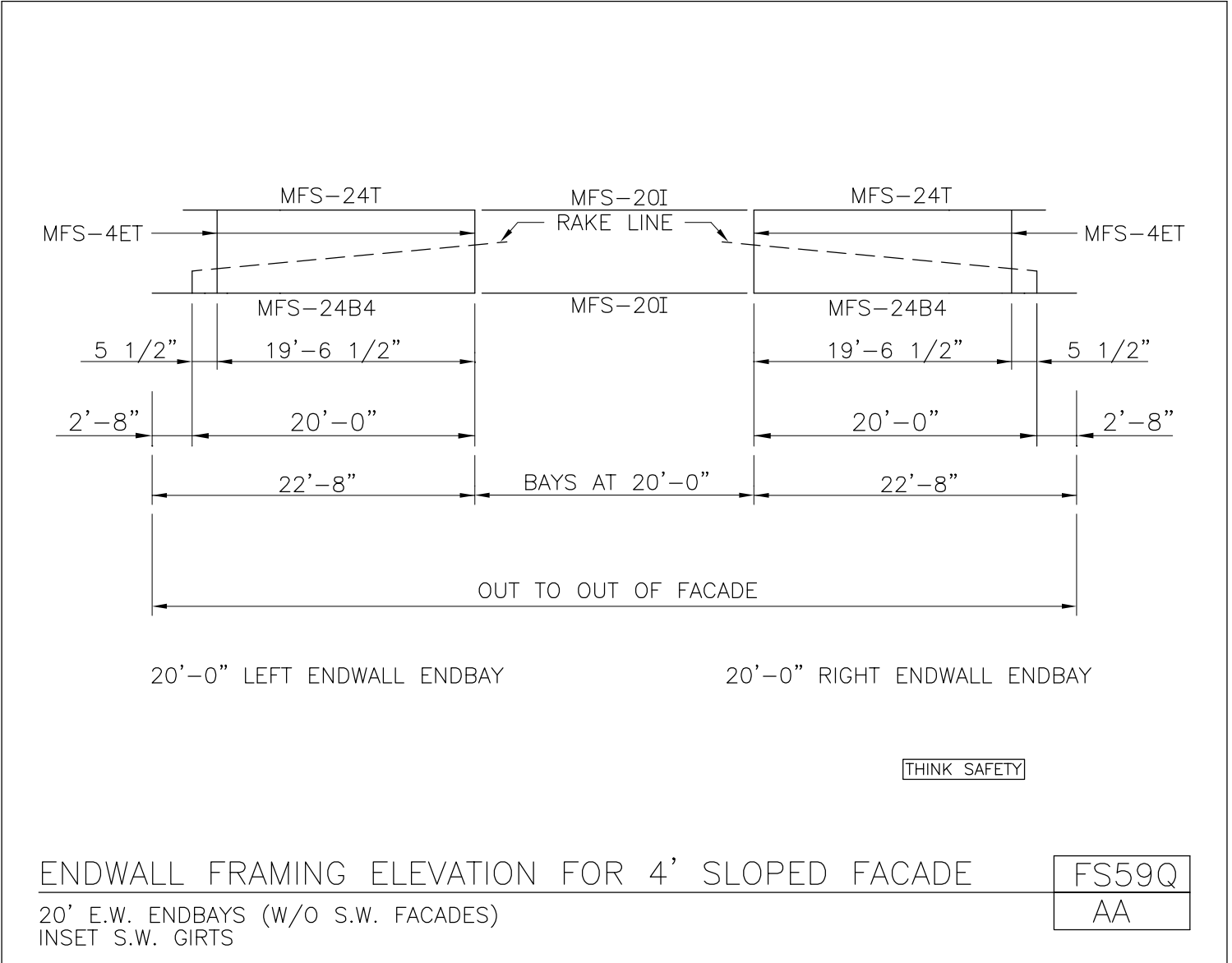
15' E.W. ENDBAYS (W/O S.W. FACADES)  
INSET S.W. GIRTS

AA

[Download the DWG file by clicking here.](#)

[To Section Index](#)

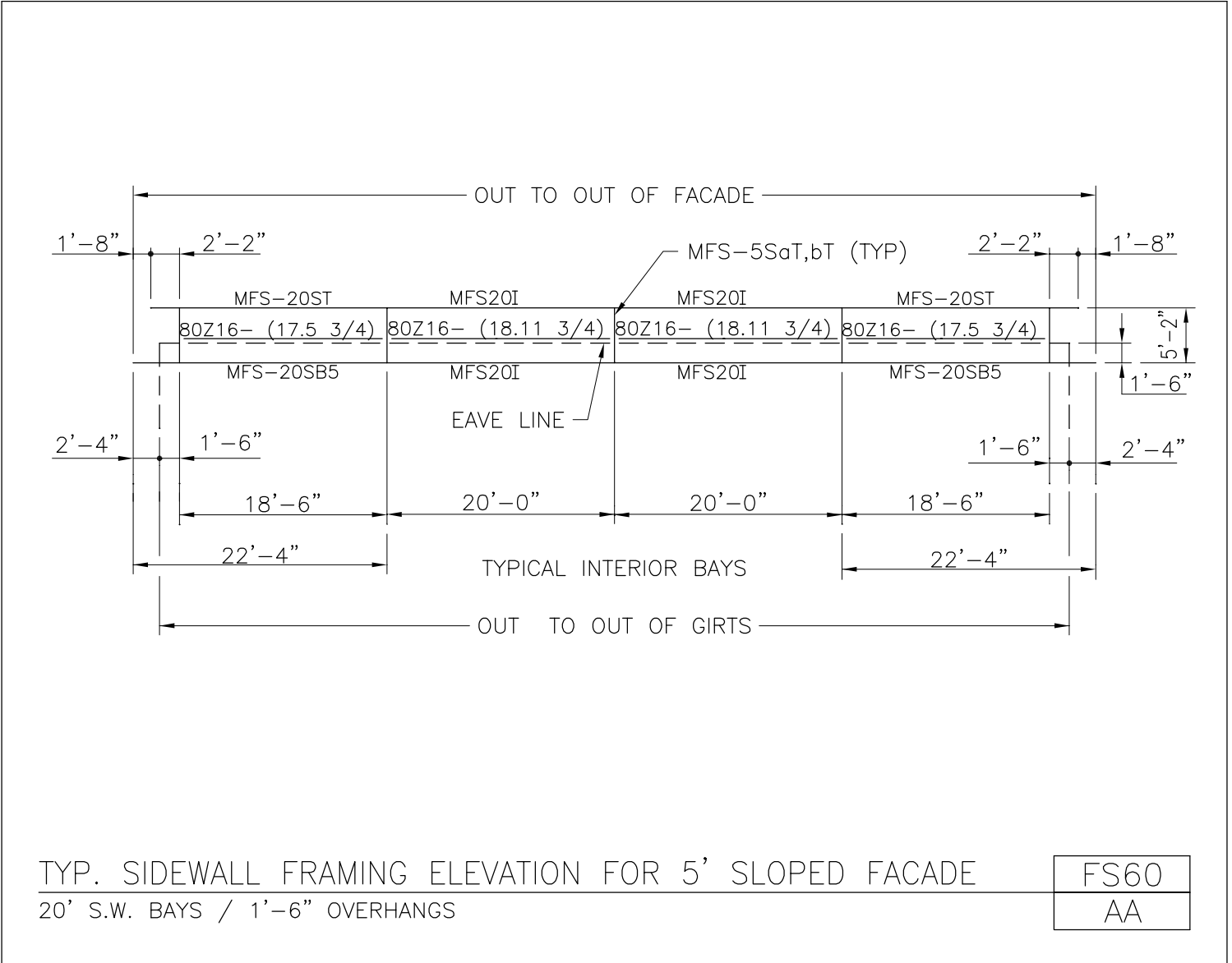
Endwall Framing Elevation For 4' Sloped Facade  
20' E.W. Endbays (w/o S.W. Facades) Inset S.W. Girts  
FS59Q/AA



[Download the DWG file by clicking here.](#)

[To Section Index](#)

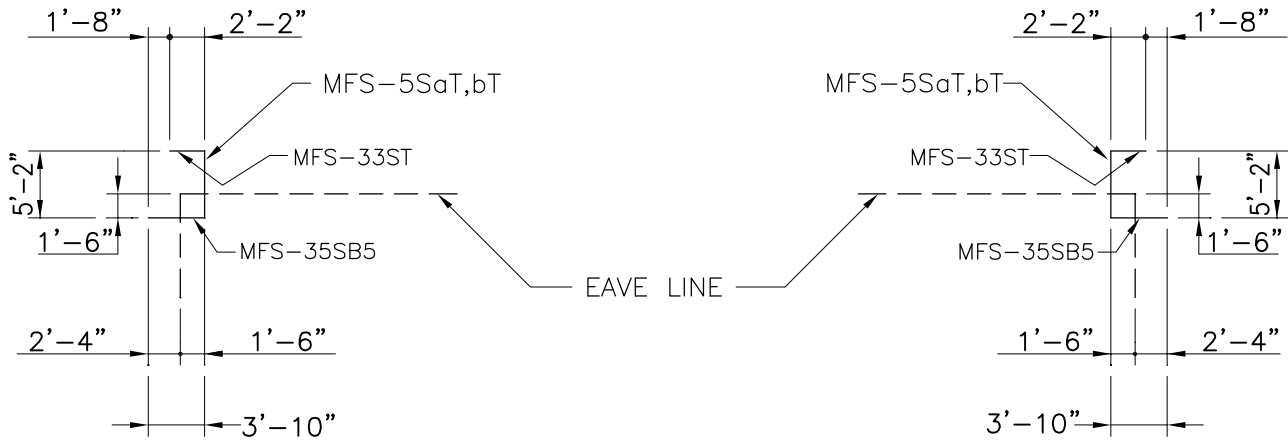
Typical Sidewall Framing Elevation for 5' Sloped Facade  
20' S.W. Bays / 1'-6" Overhangs  
FS60/AA



[Download the DWG file by clicking here.](#)

[To Section Index](#)

Sidewall Framing Return Elevations for 5' Sloped Facade  
1'-6" Overhangs  
FS63/AA



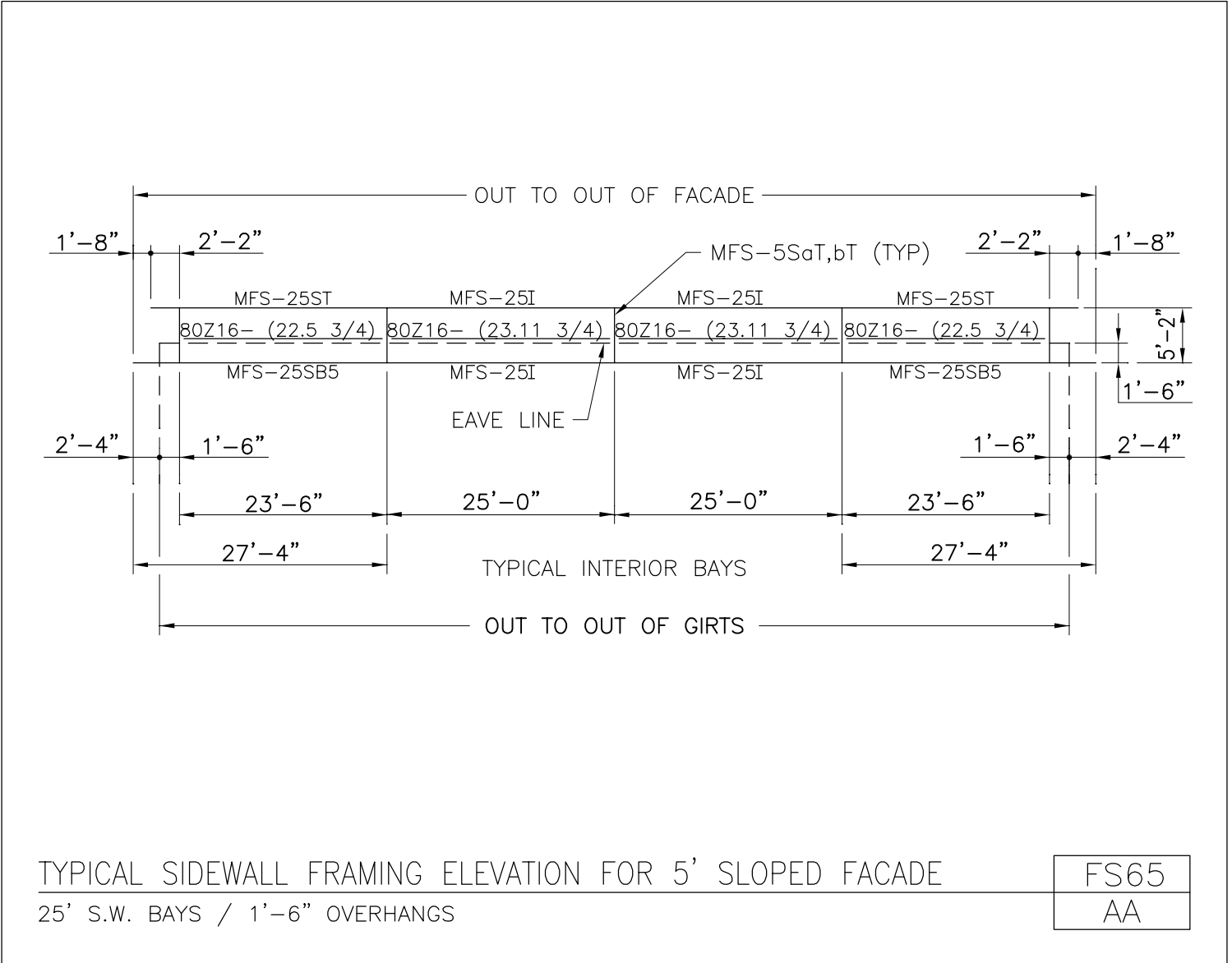
SIDEWALL FRAMING RETURN ELEVATIONS FOR 5' SLOPED FACADE  
1'-6" OVERHANG

FS63
AA

[Download the DWG file by clicking here.](#)

[To Section Index](#)

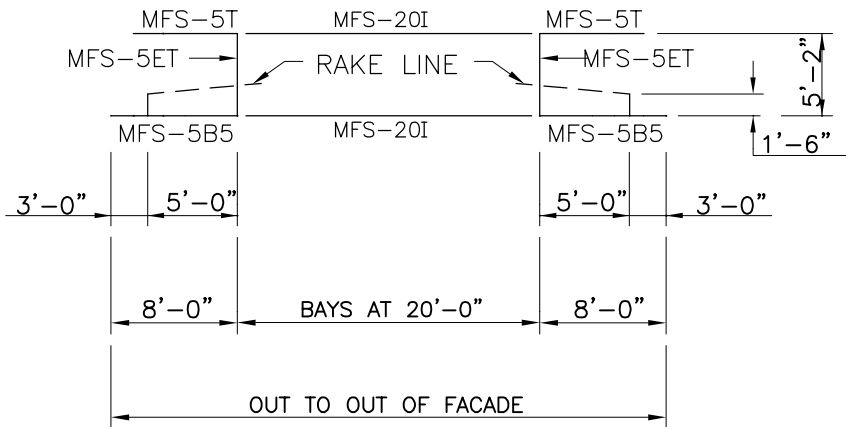
Typical Sidewall Framing Elevation for 5' Sloped Facade  
25' S.W. Bays / 1'-6" Overhangs  
FS65/AA



[Download the DWG file by clicking here.](#)

[To Section Index](#)

Endwall Framing Elevation for 5' Sloped Facade  
5' E.W. Endbays w/ Adjoining S.W. Facades  
FS66/AA



NOTE:  
ADJOINING IDEWALL FACADES MUST EXTEND A  
MINIMUM OF (1) FULL SIDEWALL BAY FROM  
ENDWALL FACADES.

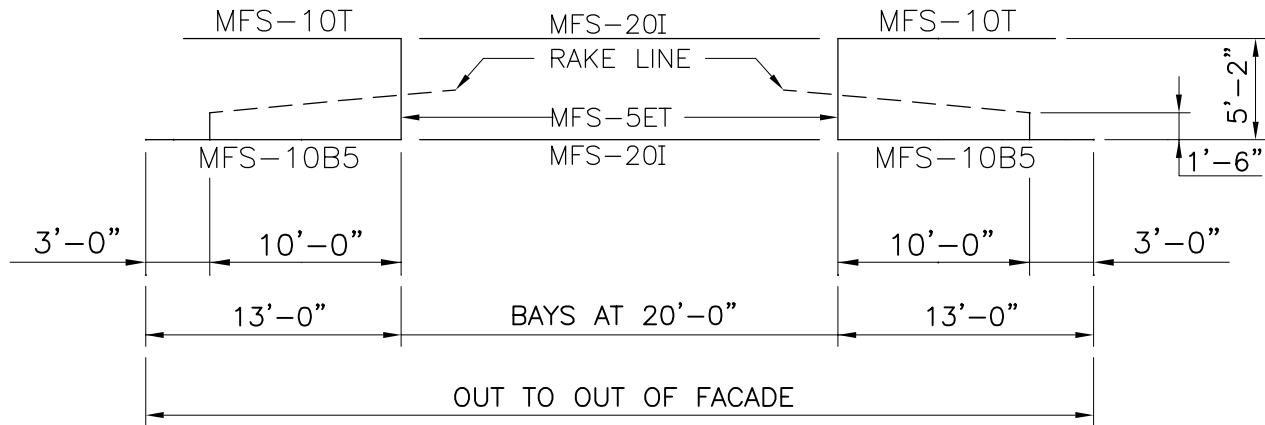
ENDWALL FRAMING ELEVATION FOR 5' SLOPED FACADE  
5' E.W. ENDBAYS W/ ADJOINING S.W. FACADES

FS66
AA

[Download the DWG file by clicking here.](#)

[To Section Index](#)

Endwall Framing Elevation for 5' Sloped Facade  
10' E.W. Endbays w/ Adjoining S.W. Facades  
FS67/AA



NOTE:  
ADJOINING S.W. FACADES MUST  
EXTEND A MINIMUM OF 1 FULL  
S.W. BAY FROM E.W. FACADES.

ENDWALL FRAMING ELEVATION FOR 5' SLOPED FACADE  
10' E.W. ENDBAYS W/ ADJOINING S.W. FACADES

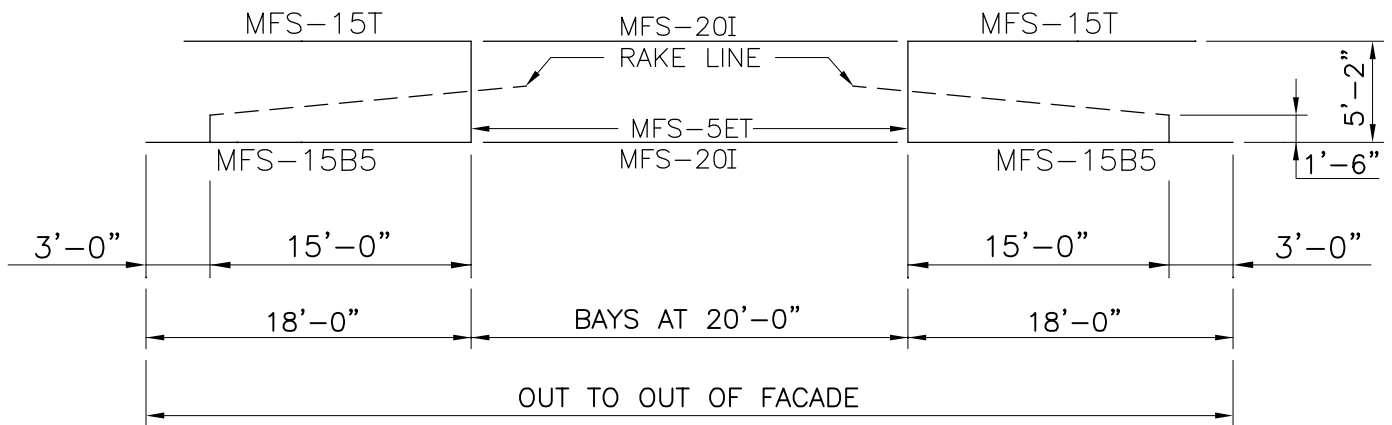
FS67
AA

[Download the DWG file by clicking here.](#)

[To Section Index](#)



Endwall Framing Elevation for 5' Sloped Facade  
15' Endbay w/ Adjoining S.W. Facades  
FS68/AA



NOTE:

ADJOINING SIDEWALL. FACADES MUST EXTEND A MINIMUM OF (1) FULL SIDEWALL BAY FROM ENDWALL FACADES.

ENDWALL FRAMING ELEVATION FOR 5' SLOPED FACADE

15' END BAY W/ADJOINING S.W. FACADES

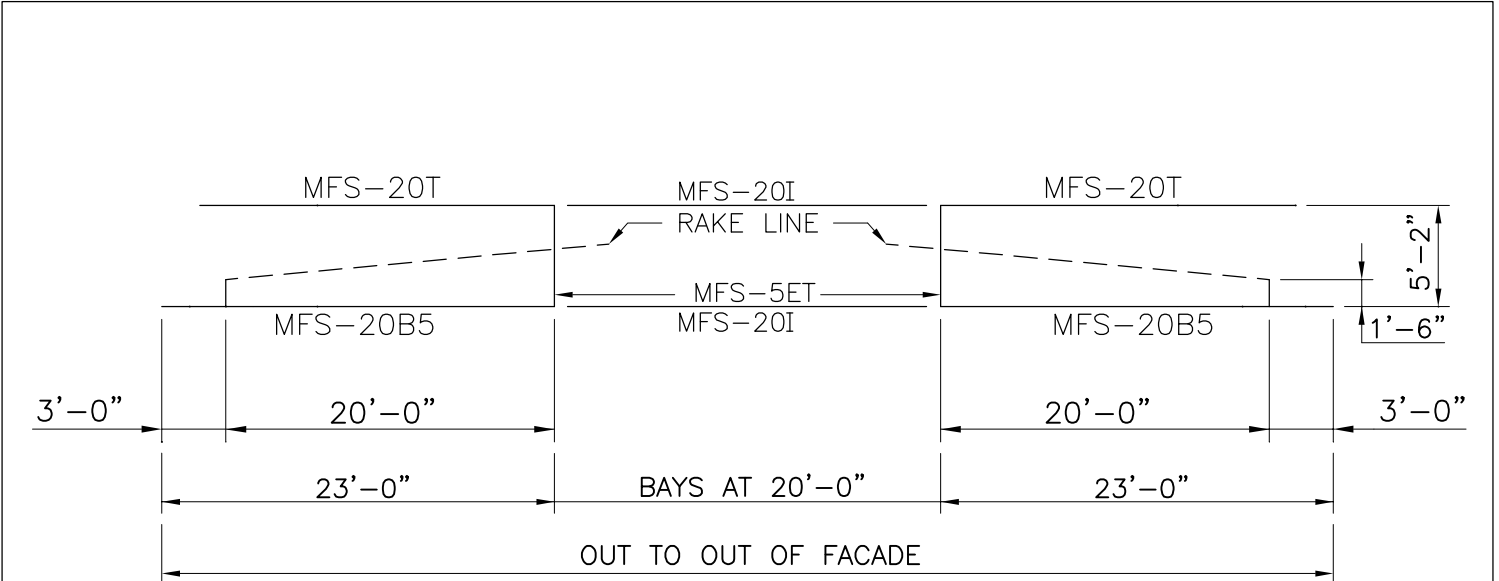
FS68

AA

[Download the DWG file by clicking here.](#)

[To Section Index](#)

Endwall Framing Elevation for 5' Sloped Facade  
20' E.W. Endbays w/ Adjoining S.W. Facades  
FS69/AA



NOTE:  
ADJOINING SIDEWALL. FACADES MUST EXTEND A  
MINIMUM OF (1) FULL SIDEWALL BAY FROM  
ENDWALL FACADES.

ENDWALL FRAMING ELEVATION FOR 5' SLOPED FACADE  
20' E.W. ENDBAYS W/ ADJOINING S.W. FACADES

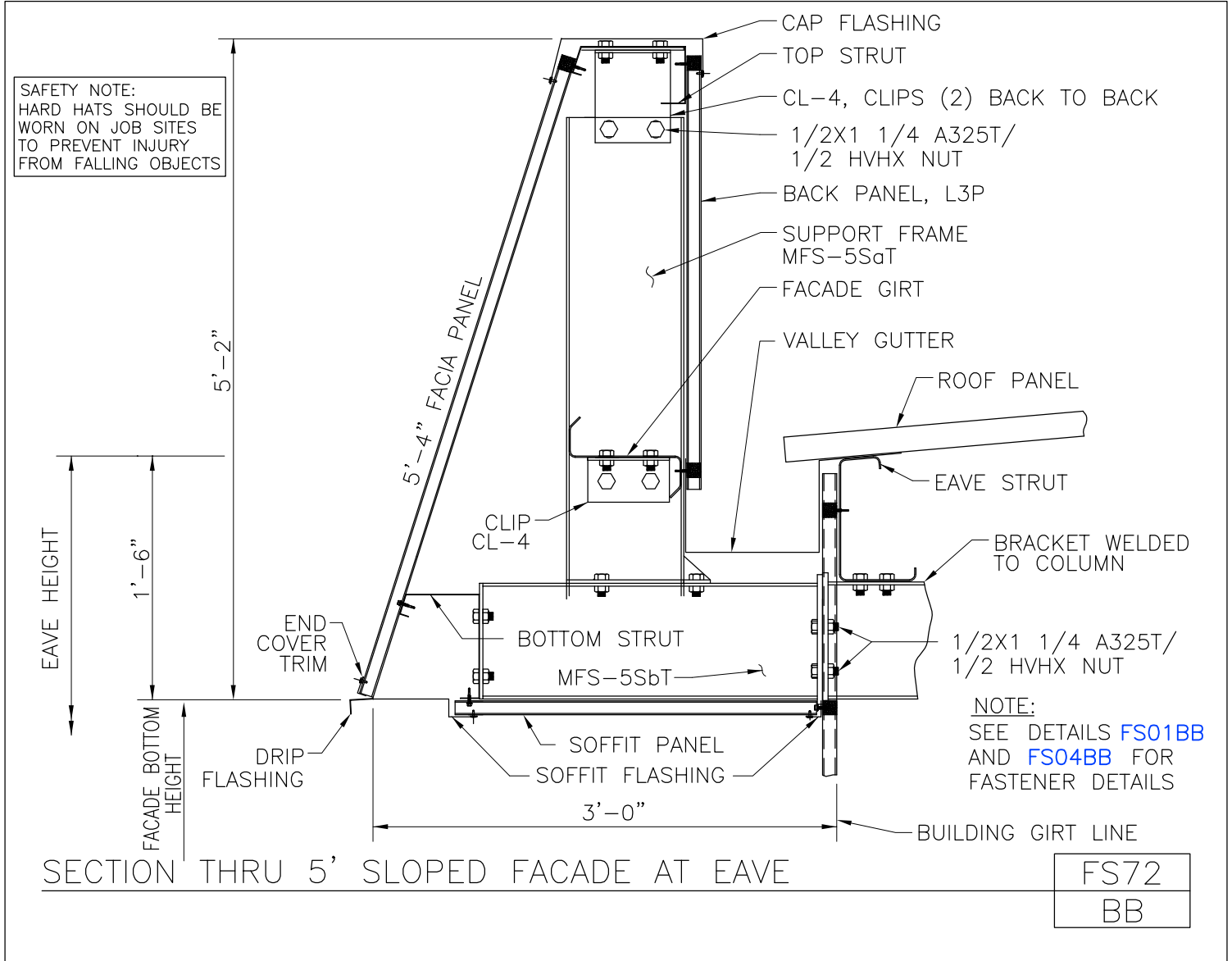
FS69
AA

[Download the DWG file by clicking here.](#)

[To Section Index](#)

Section Thru 5' Sloped Facade at Eave

FS72/BB

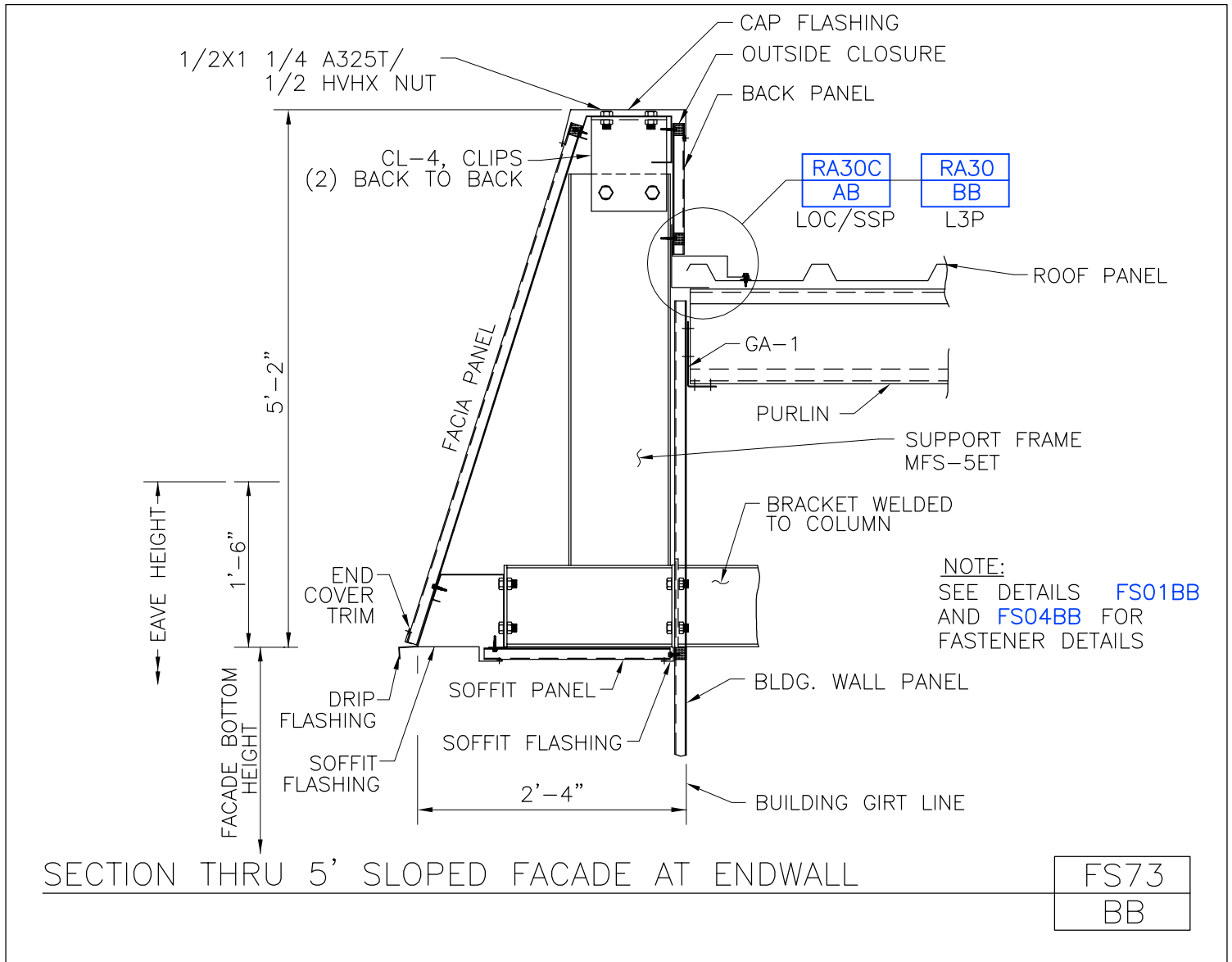


[Download the DWG file by clicking here.](#)

[To Section Index](#)

Section Thru 5' Sloped Facade at Endwall

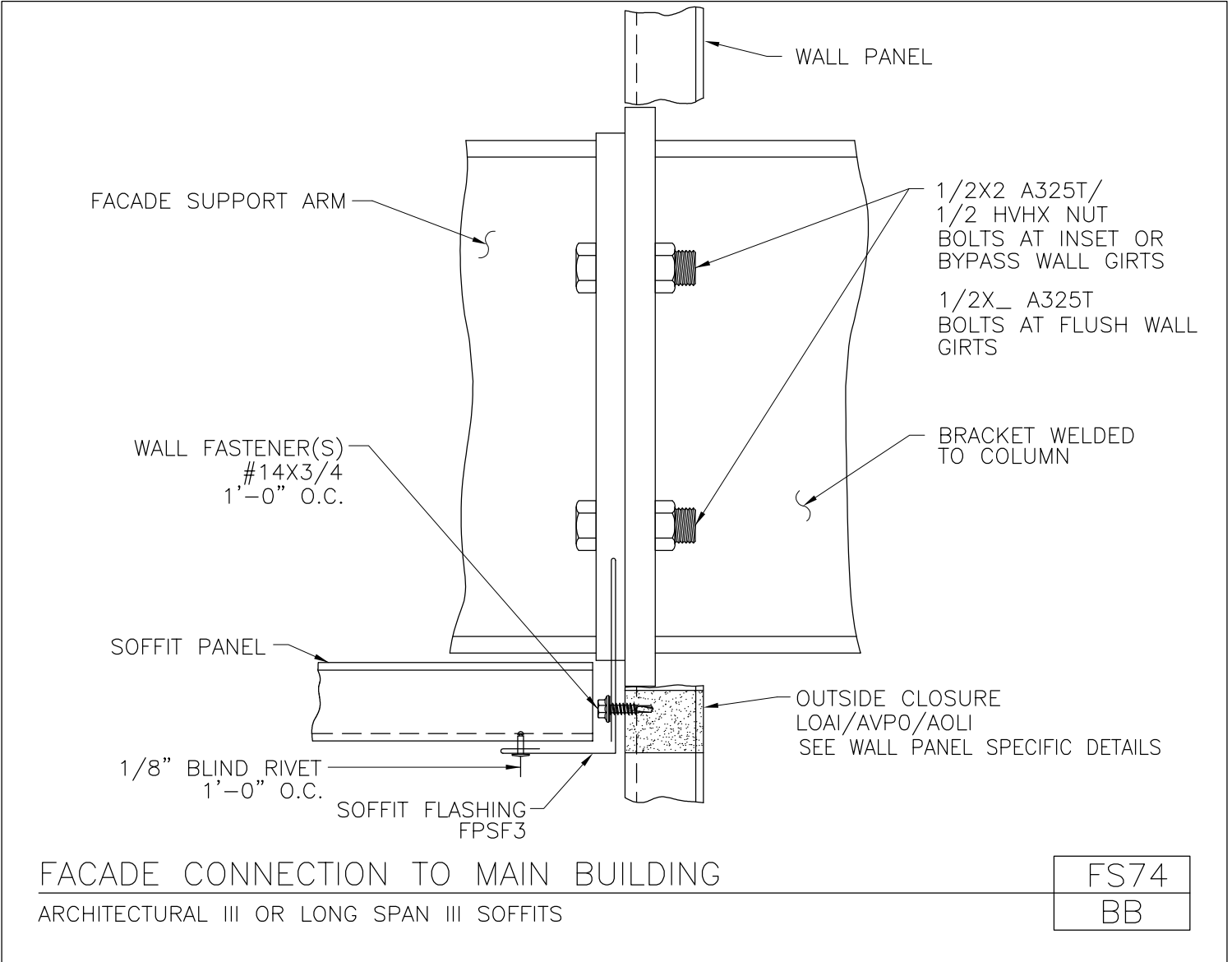
FS73/BB



[Download the DWG file by clicking here.](#)

[To Section Index](#)

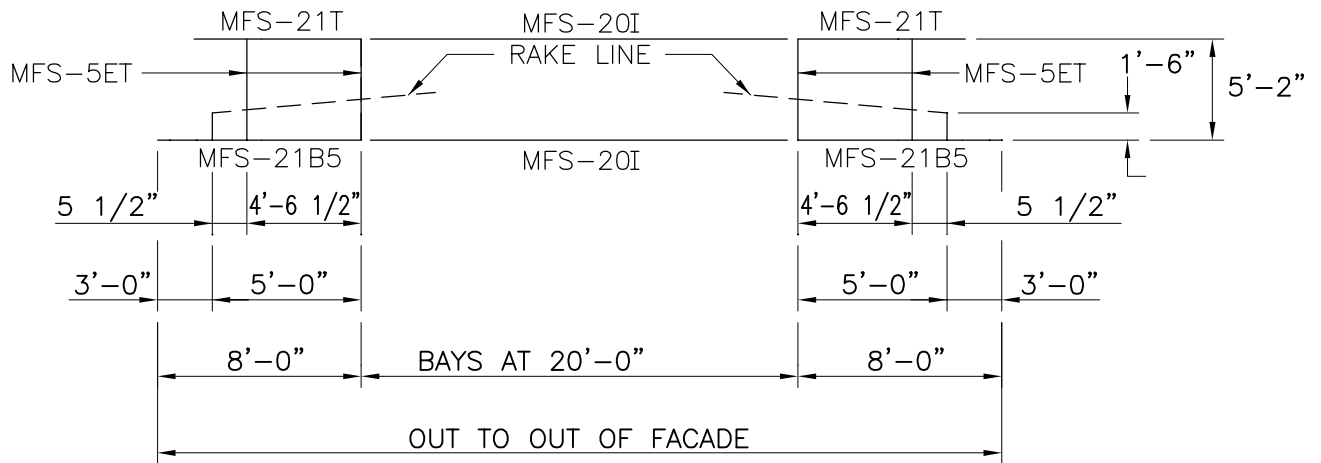
Facade Connection to Main Building  
 Architectural III or Long Span III Soffits  
 FS74/BB



[Download the DWG file by clicking here.](#)

[To Section Index](#)

Endwall Framing Elevation for 5' Sloped Facade  
5' E.W. Endbays (w/o S.W. Facades) Inset S.W. Girts  
FS76Q/AA



THINK SAFETY

ENDWALL FRAMING ELEVATION FOR 5' SLOPED FACADE

5' E.W. ENDBAYS (W/O S.W. FACADES)  
INSET S.W. GIRTS

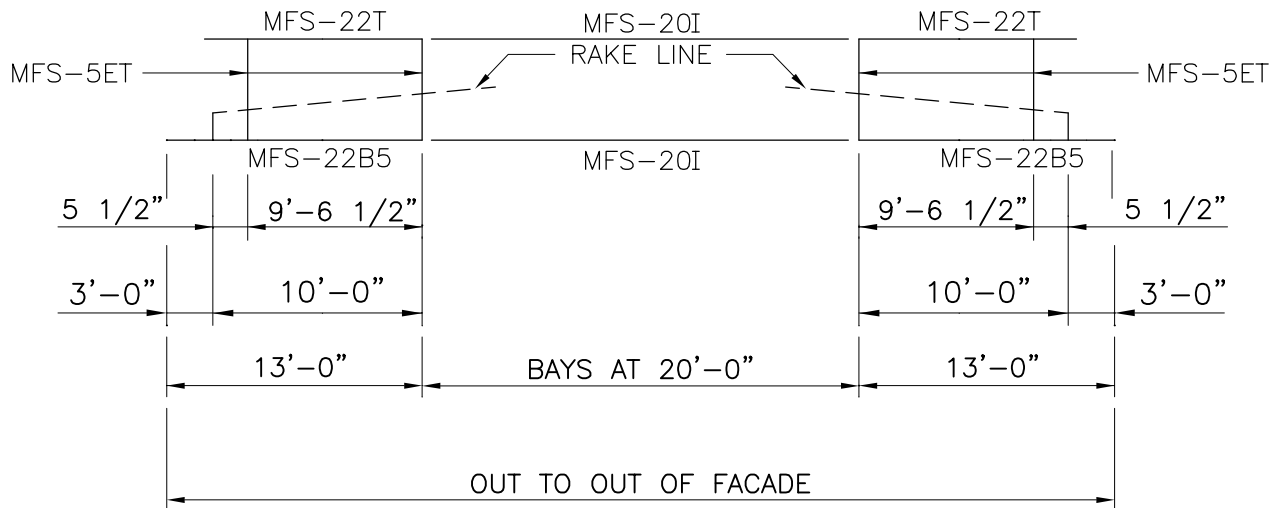
FS76Q

AA

[Download the DWG file by clicking here.](#)

[To Section Index](#)

Endwall Framing Elevation for 5' Sloped Facade  
 10' E.W. Endbays (w/o S.W. Facades) Inset S.W. Girts  
 FS77Q/AA



THINK SAFETY

ENDWALL FRAMING ELEVATION FOR 5' SLOPED FACADE

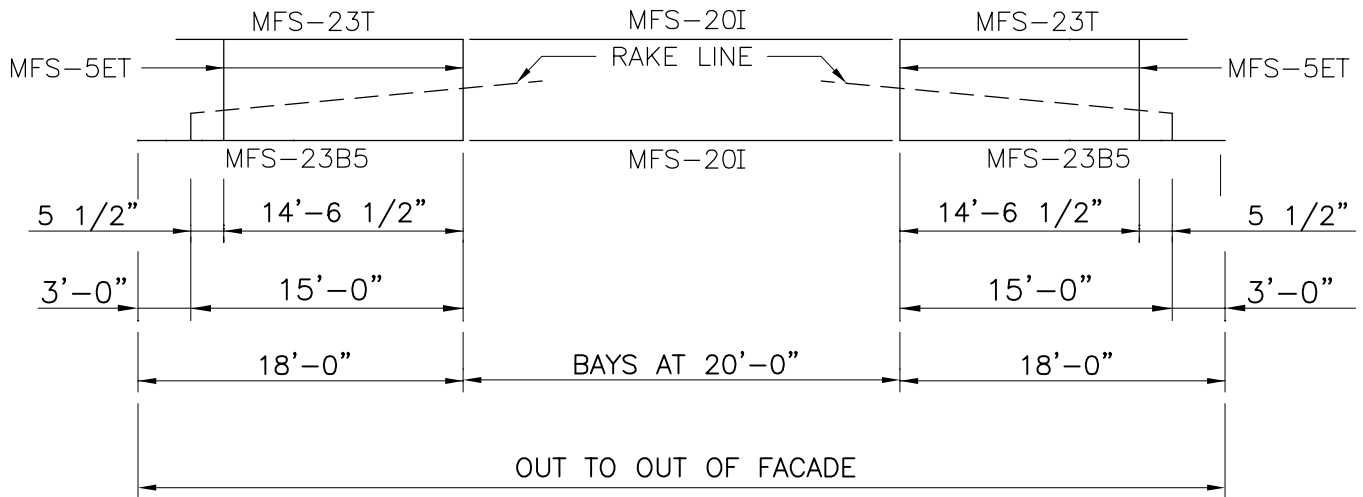
10' E.W. ENDBAYS (W/O S.W. FACADES)  
 INSET S.W. GIRTS

FS77Q
AA

[Download the DWG file by clicking here.](#)

[To Section Index](#)

Endwall Framing Elevation for 5' Sloped Facade  
15' E.W. Endbays (w/o S.W. Facades) Inset S.W. Girts  
FS78Q/AA



THINK SAFETY

ENDWALL FRAMING ELEVATION FOR 5' SLOPED FACADE

15' E.W. ENDBAYS (W/O S.W. FACADES)  
INSET S.W. GIRTS

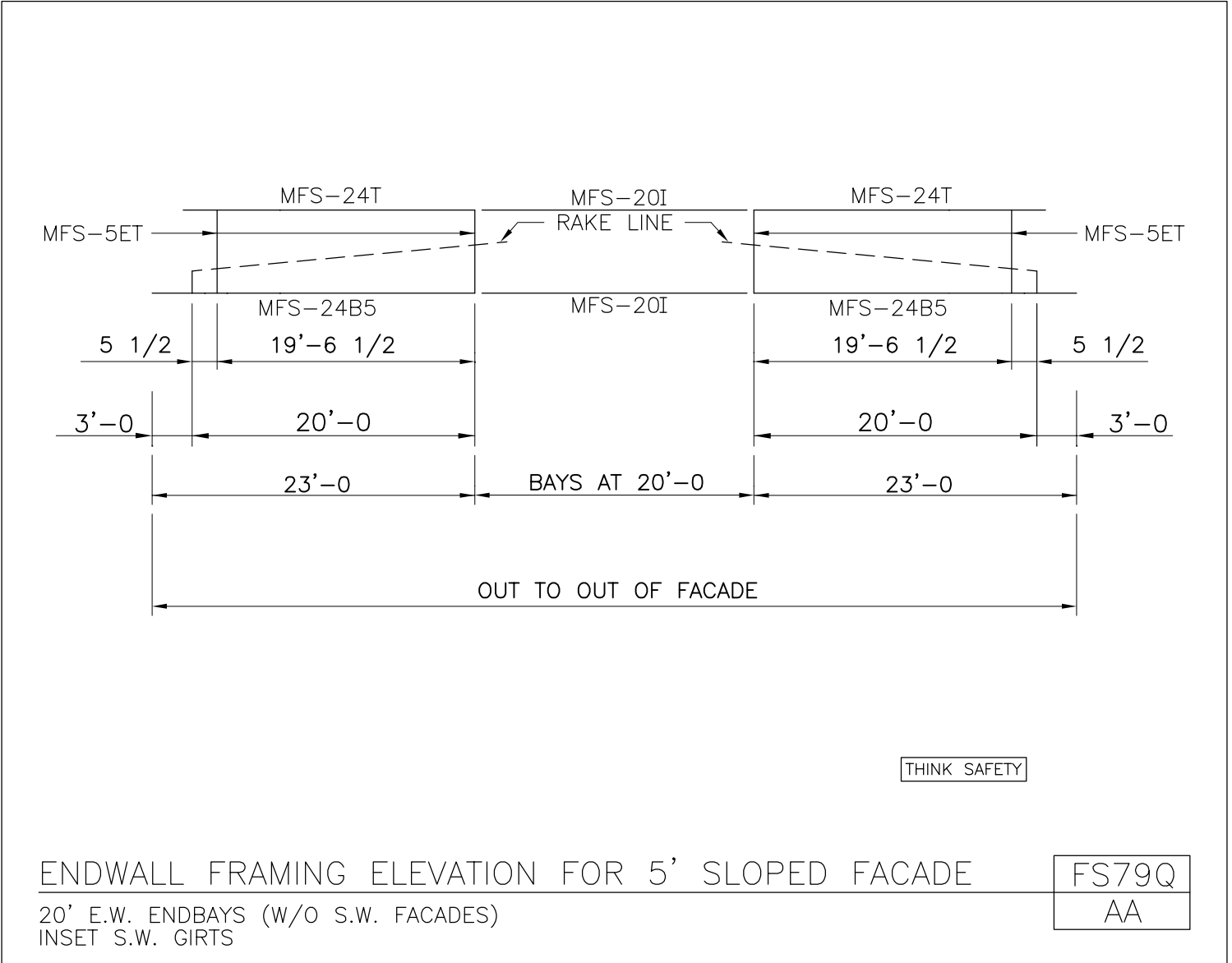
FS78Q
AA

[Download the DWG file by clicking here.](#)

[To Section Index](#)



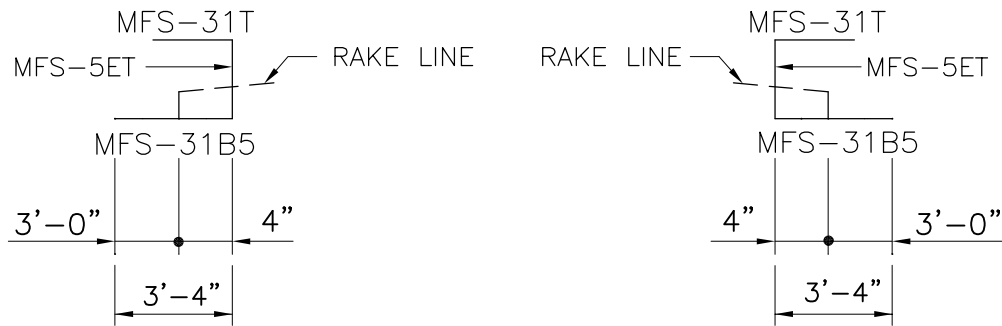
Endwall Framing Elevation for 5' Sloped Facade  
20' E.W. Endbays (w/o S.W. Facades) Inset S.W. Girts  
FS79Q/AA



[Download the DWG file by clicking here.](#)

[To Section Index](#)

Endwall Corner Returns for 5' Sloped Facade  
Flush S.W. Girts  
FS80P/AA



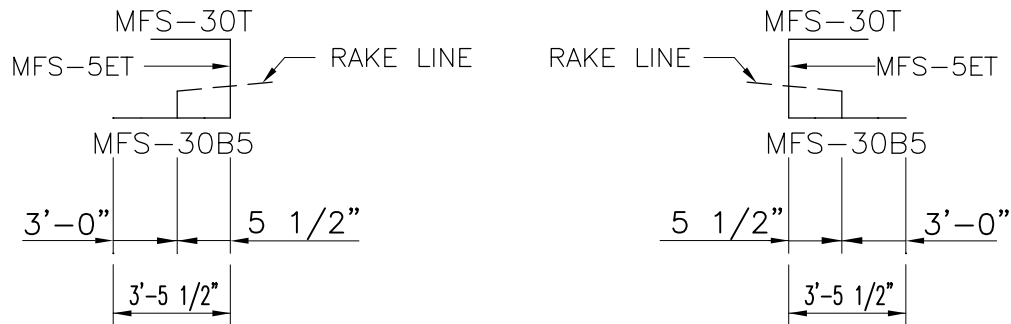
ENDWALL CORNER RETURNS FOR 5' SLOPED FACADE  
FLUSH S.W. GIRTS

FS80P
AA

[Download the DWG file by clicking here.](#)

[To Section Index](#)

Endwall Corner Returns for 5' Sloped Facade  
Inset S.W. Girts  
FS81Q/AA



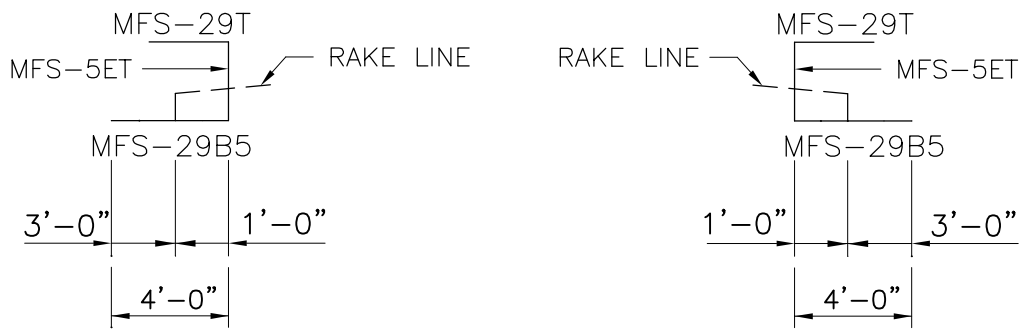
ENDWALL CORNER RETURNS FOR 5' SLOPED FACADE  
INSET S.W. GIRTS

FS81Q
AA

[Download the DWG file by clicking here.](#)

[To Section Index](#)

Endwall Corner Returns for 5' Sloped Facade  
8" Bypass S.W. Girts  
FS82M/AA



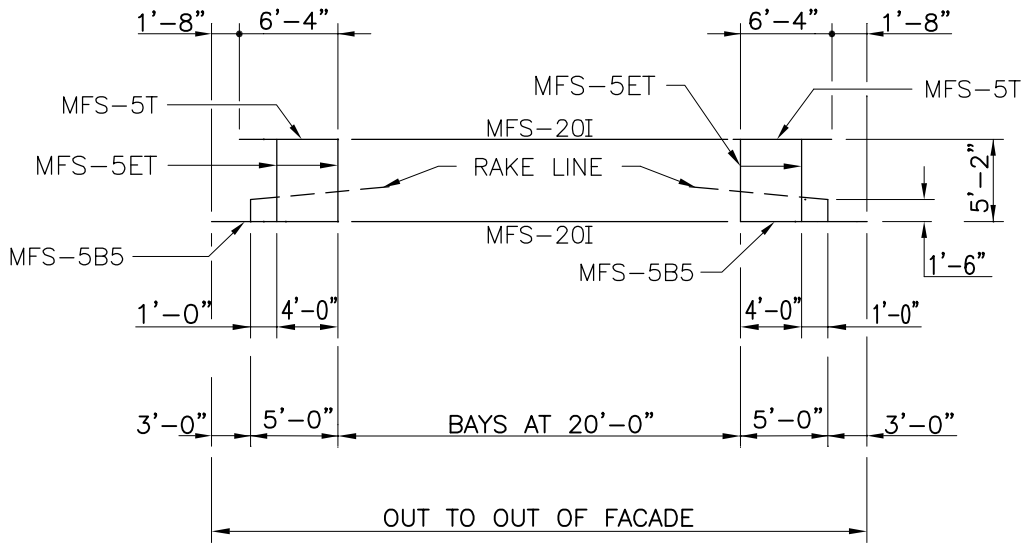
ENDWALL CORNER RETURNS FOR 5' SLOPED FACADE  
8" BY-PASS S.W. GIRTS

FS82M
AA

[Download the DWG file by clicking here.](#)

[To Section Index](#)

Endwall Framing Elevation for 5' Sloped Facade  
 5'-0" E.W. Endbays (w/o S.W. Facades) 8" By-pass S.W. Girts  
 FS86M/AA



SAFETY NOTE:  
 USE APPROVED TIE OFFS,  
 NETTING OR RAILS WHEN  
 WORKING ON ROOF SURFACES

THINK SAFETY

ENDWALL FRAMING ELEVATION FOR 5' SLOPED FACADE

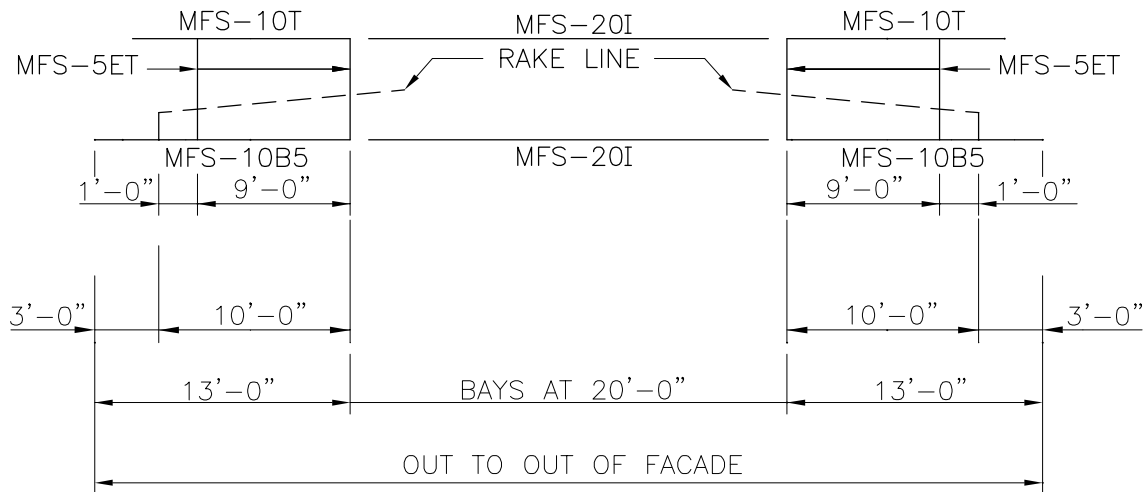
5'-0" E.W. ENDBAYS (W/O S.W. FACADES)  
 8" BY-PASS S.W. GIRTS

FS86M
AA

[Download the DWG file by clicking here.](#)

[To Section Index](#)

Endwall Framing Elevation for 5' Sloped Facade  
 10' E.W. Endbays (w/o S.W. Facades) 8" By-Pass S.W. Girts  
 FS87M/AA



THINK SAFETY

ENDWALL FRAMING ELEVATION FOR 5' SLOPED FACADE

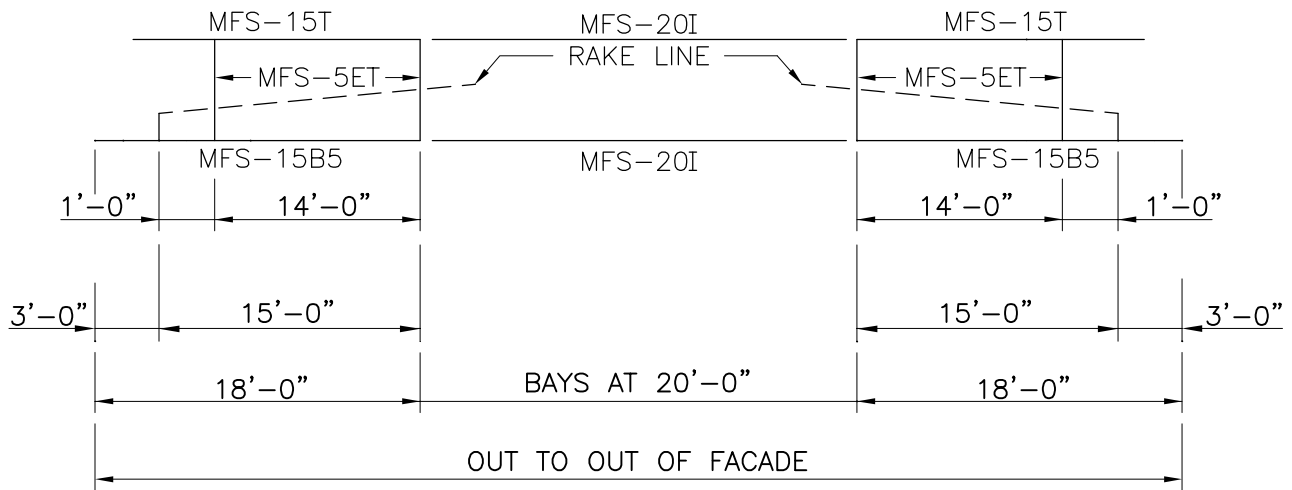
10' E.W. ENDBAYS (W/O S.W. FACADES)  
 8" BY-PASS S.W. GIRTS

FS87M
AA

[Download the DWG file by clicking here.](#)

[To Section Index](#)

Endwall Framing Elevation for 5' Sloped Facade  
 15' E.W. Endbays (w/o S.W. Facades) 8" By-Pass S.W. Girts  
 FS88M/AA



THINK SAFETY

ENDWALL FRAMING ELEVATION FOR 5' SLOPED FACADE

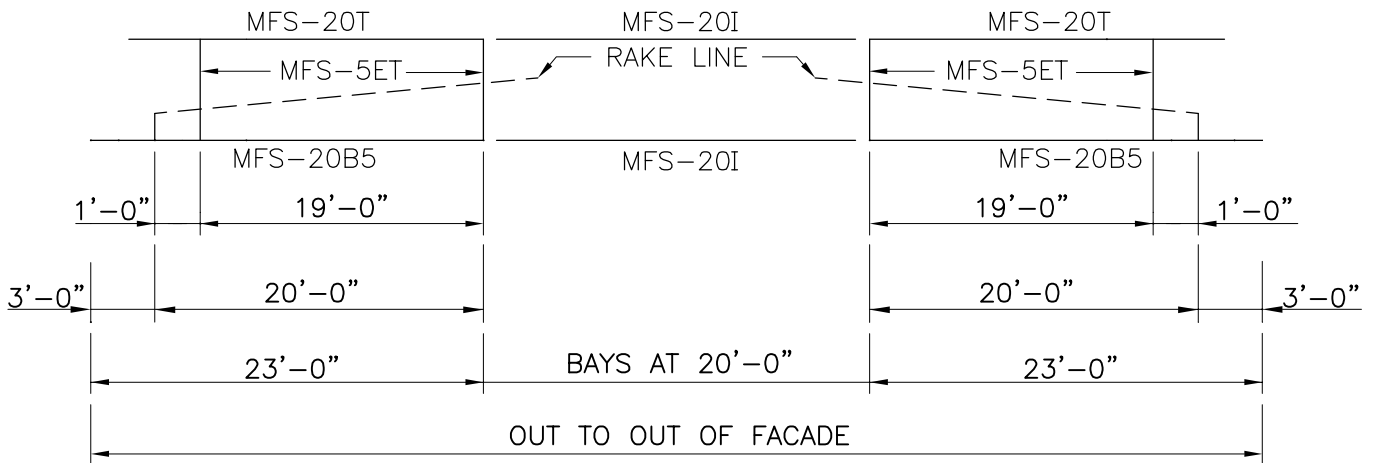
15' E.W. ENDBAYS (W/O S.W. FACADES)  
 8" BY-PASS S.W. GIRTS

FS88M
AA

[Download the DWG file by clicking here.](#)

[To Section Index](#)

Endwall Framing Elevation for 5' Sloped Facade  
 20' E.W. Endbays (w/o S.W. Facades) 8" By-Pass S.W. Girts  
 FS89M/AA



THINK SAFETY

ENDWALL FRAMING ELEVATION FOR 5' SLOPED FACADE

20' E.W. ENDBAYS (W/O S.W. FACADES)  
 8" BY-PASS S.W. GIRTS

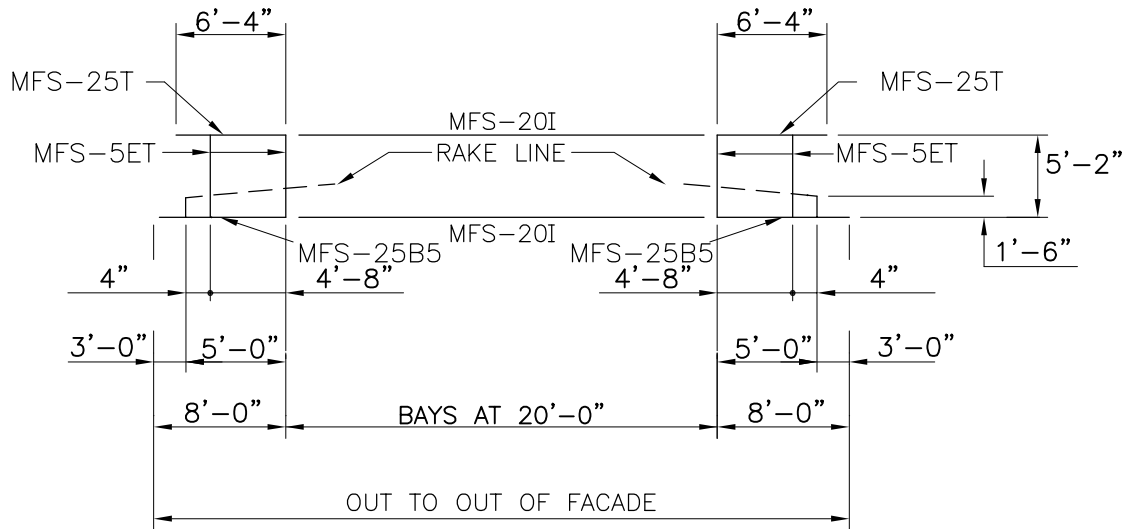
FS89M
AA

[Download the DWG file by clicking here.](#)

[To Section Index](#)



Endwall Framing Elevation for 5' Sloped Facade  
5' E.W. Endbays (w/o S.W. Facades) Flush S.W. Girts  
FS96P/AA



THINK SAFETY

ENDWALL FRAMING ELEVATION FOR 5' SLOPED FACADE

5' E.W. ENDBAYS (W/O S.W. FACADES)  
FLUSH S.W. GIRTS

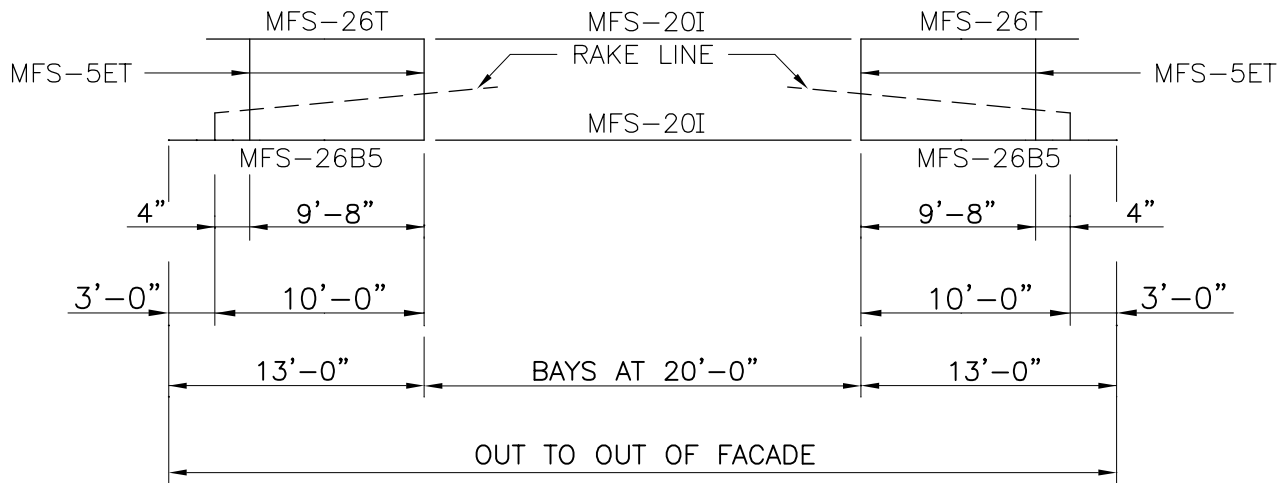
FS96P

AA

[Download the DWG file by clicking here.](#)

[To Section Index](#)

Endwall Framing Elevation for 5' Sloped Facade  
10' E.W. Endbays (w/o S.W. Facades) Flush S.W. Girts  
FS97P/AA



SAFETY NOTE:  
USE APPROVED TIE OFFS,  
NETTING OR RAILS WHEN  
WORKING ON ROOF SURFACES.

THINK SAFETY

ENDWALL FRAMING ELEVATION FOR 5' SLOPED FACADE

10' E.W. ENDBAYS (W/O S.W. FACADES)  
FLUSH S.W. GIRTS

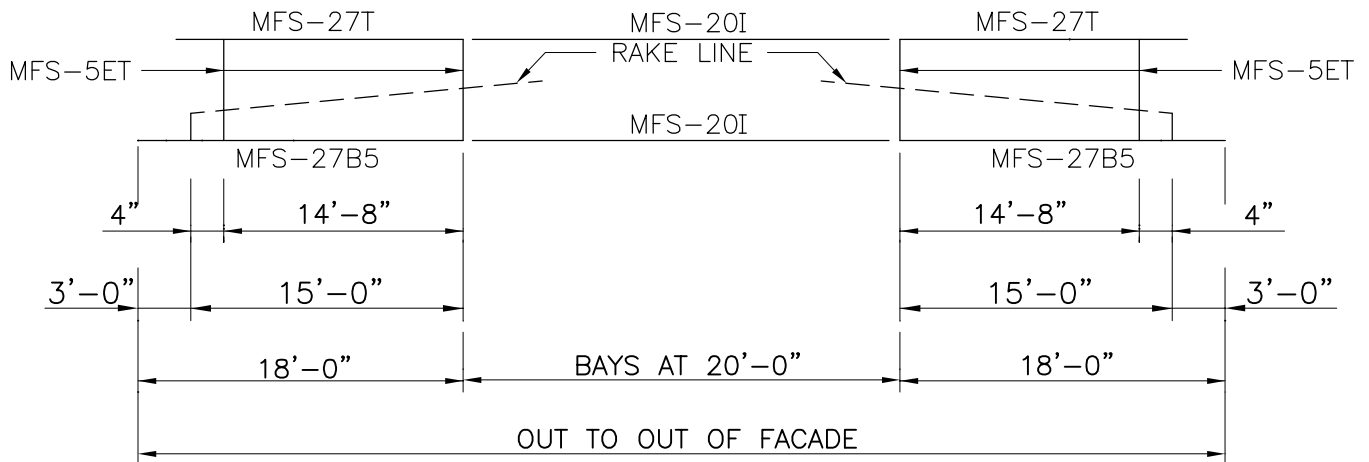
FS97P

AA

[Download the DWG file by clicking here.](#)

[To Section Index](#)

Endwall Framing Elevation for 5' Sloped Facade  
15' E.W. Endbays (w/o S.W. Facades) Flush S.W. Girts  
FS98P/AA



THINK SAFETY

ENDWALL FRAMING ELEVATION FOR 5' SLOPED FACADE

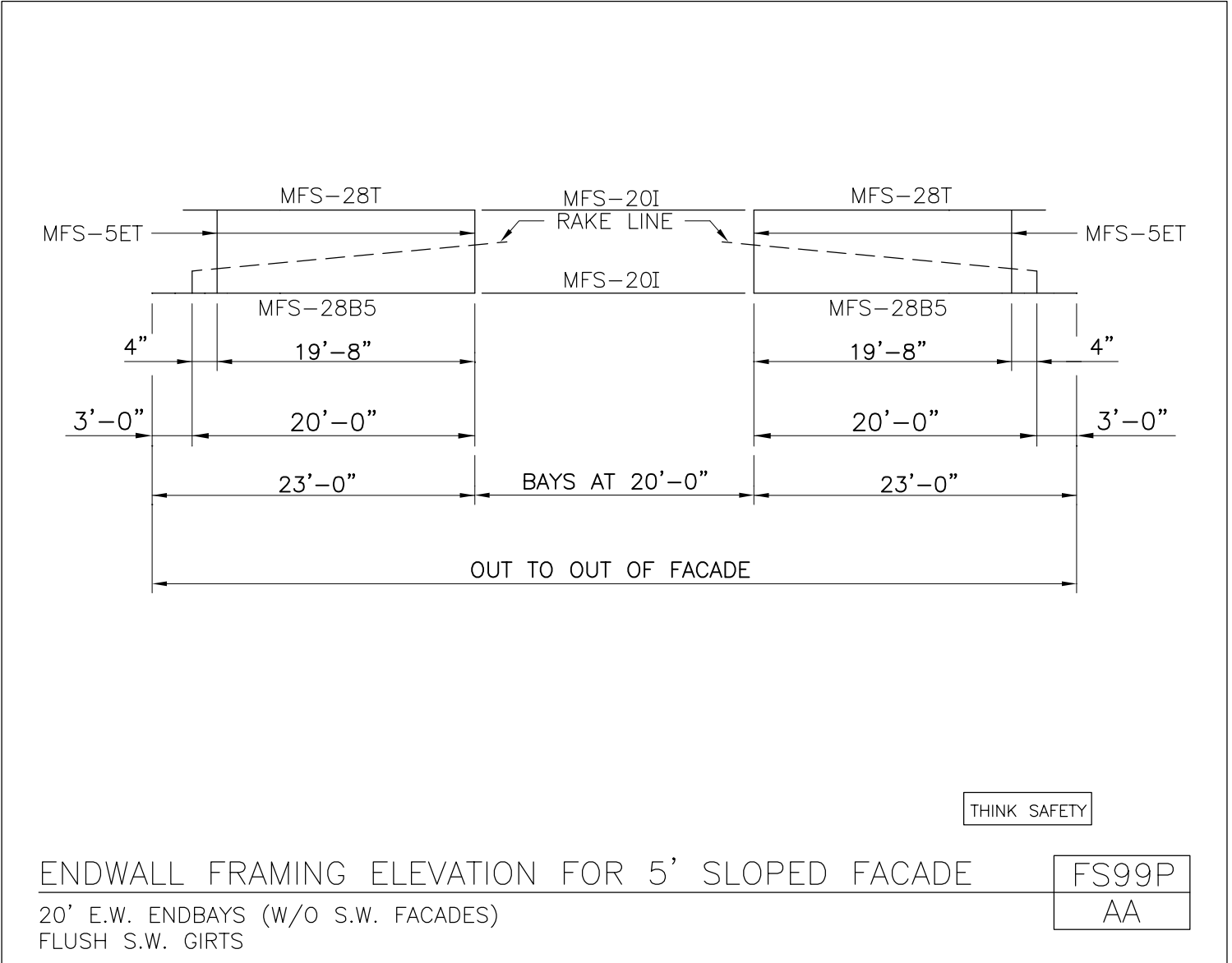
15' E.W. ENDBAYS (W/O S.W. FACADES)  
FLUSH S.W. GIRTS

FS98P
AA

[Download the DWG file by clicking here.](#)

[To Section Index](#)

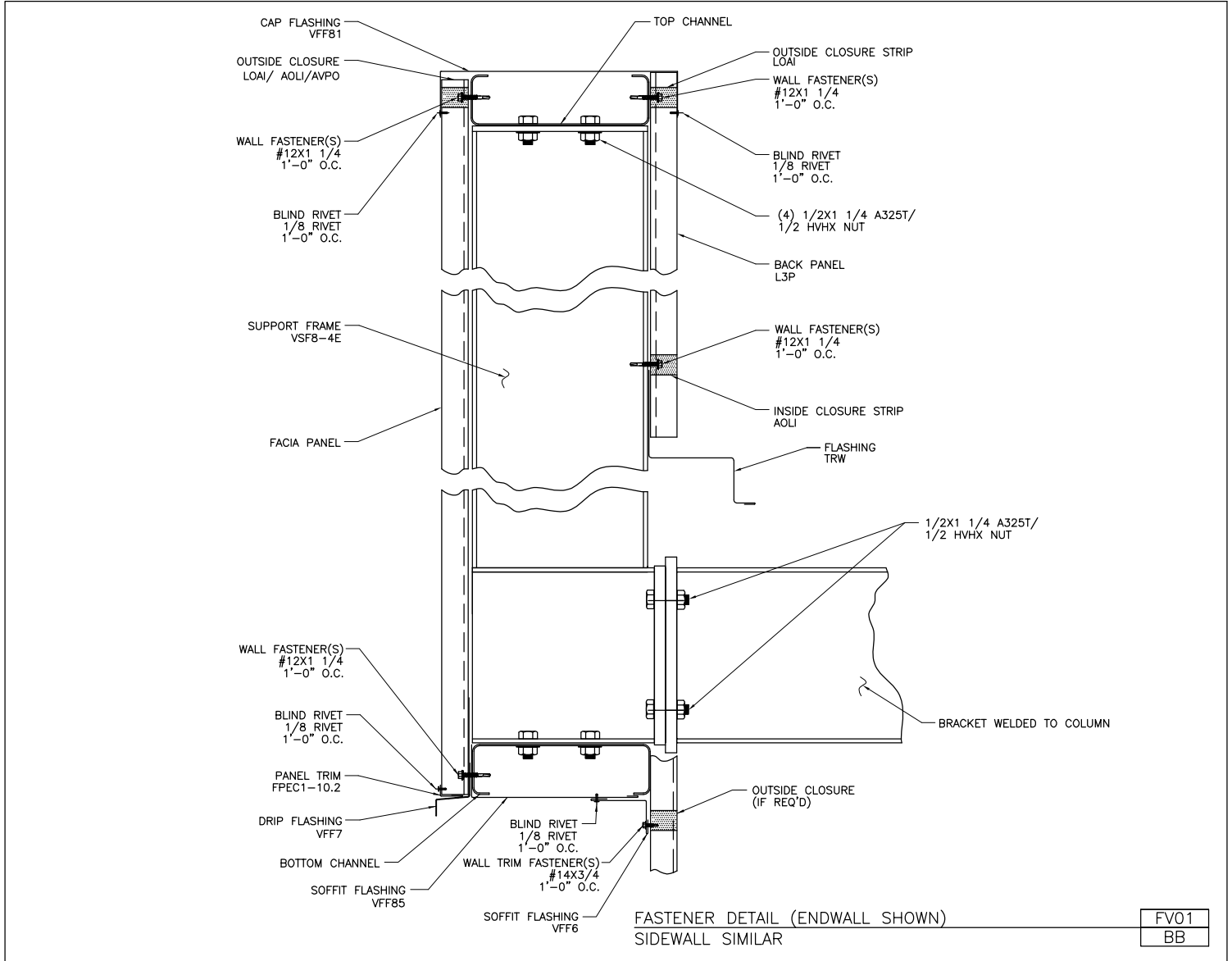
Endwall Framing Elevation for 5' Sloped Facade  
20' E.W. Endbays (w/o S.W. Facades) Flush S.W. Girts  
FS99P/AA



[Download the DWG file by clicking here.](#)

[To Section Index](#)

Fastener Detail (Endwall Shown)  
Sidewall Similar  
FV01/BB

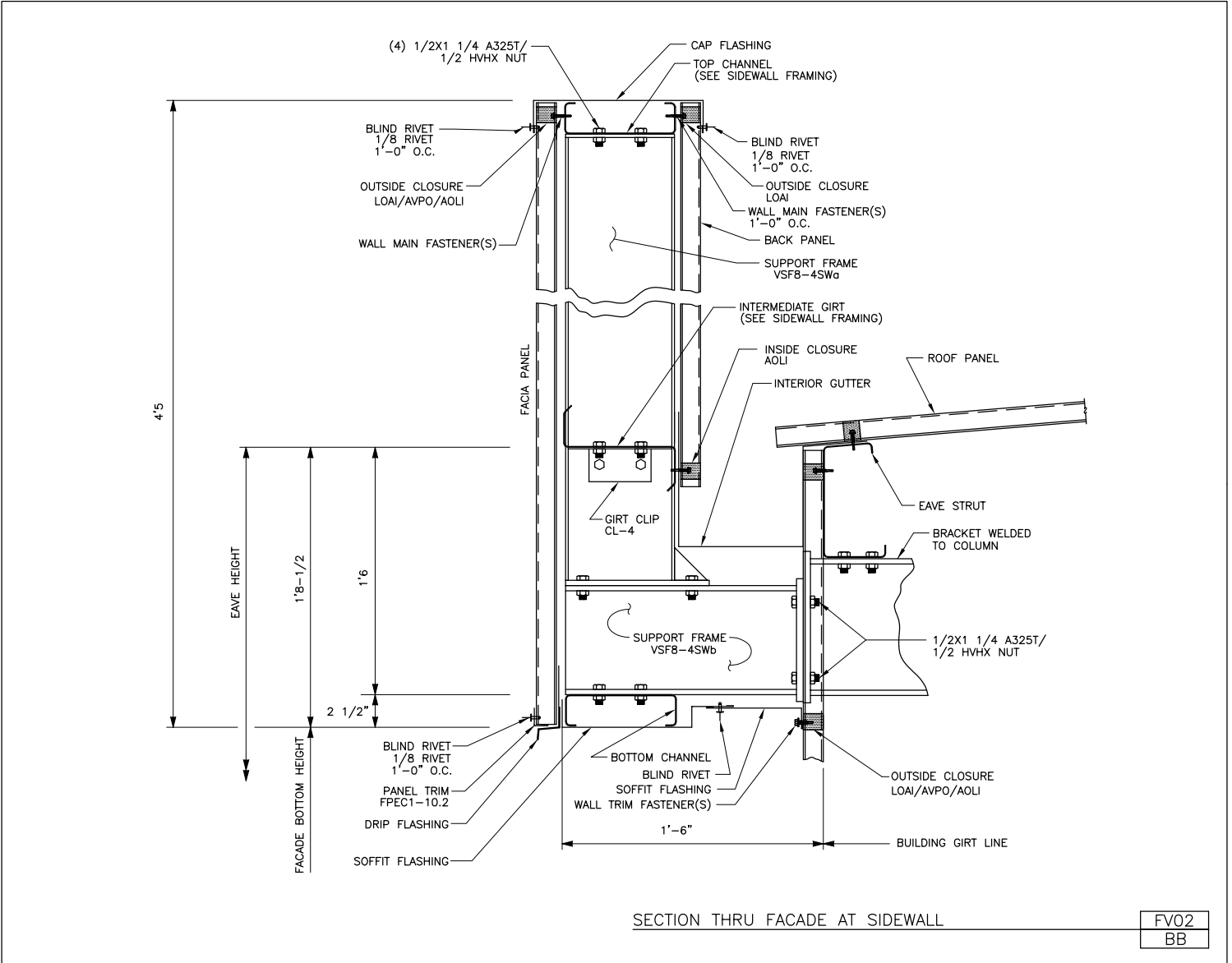


[Download the DWG file by clicking here.](#)

[To Section Index](#)

Section Thru Facade at Sidewall

FV02/BB

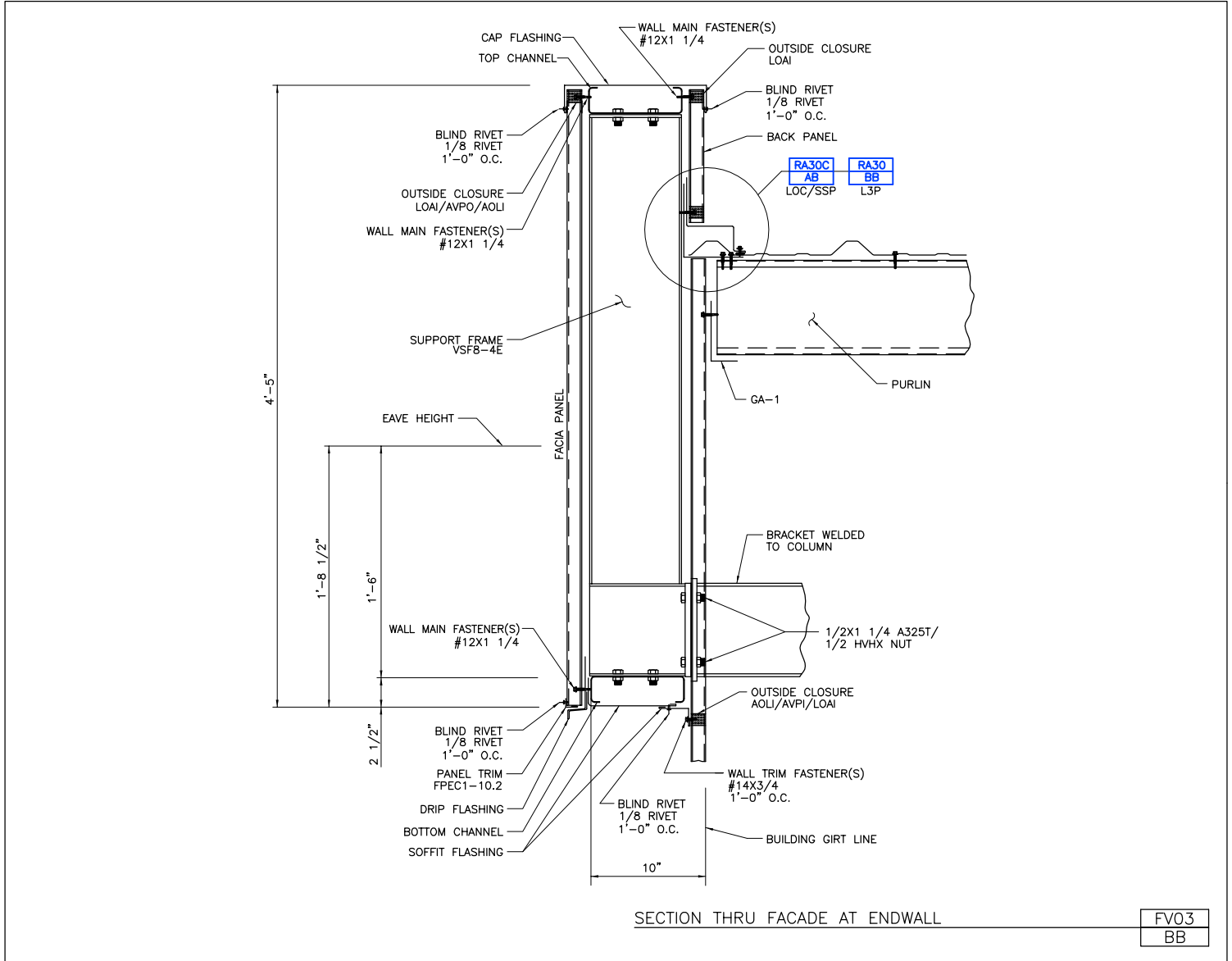


[Download the DWG file by clicking here.](#)

[To Section Index](#)

Section Thru Facade at Endwall

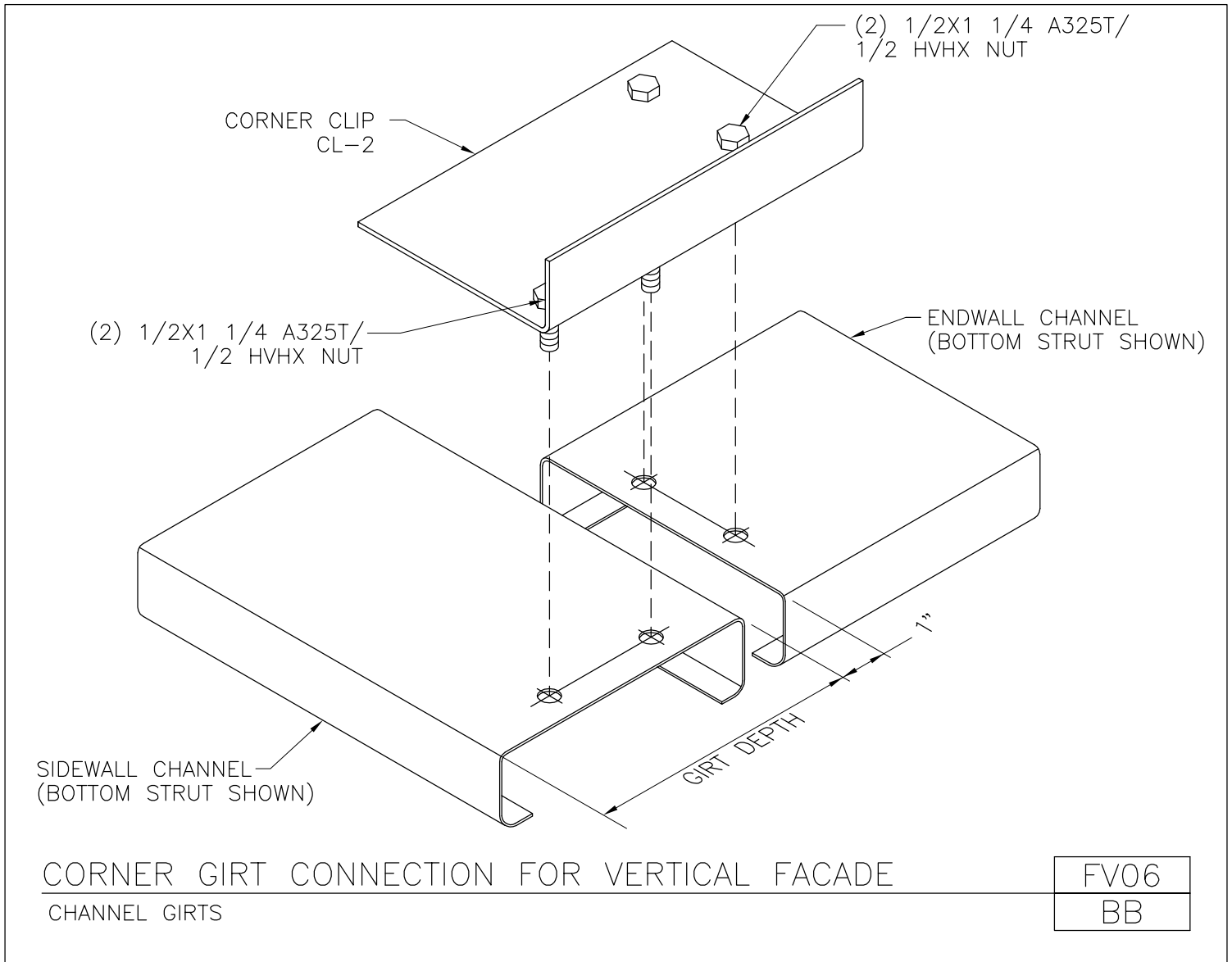
FV03/BB



[Download the DWG file by clicking here.](#)

[To Section Index](#)

Corner Girt Connection for Vertical Facade  
Channel Girts  
FV06/BB



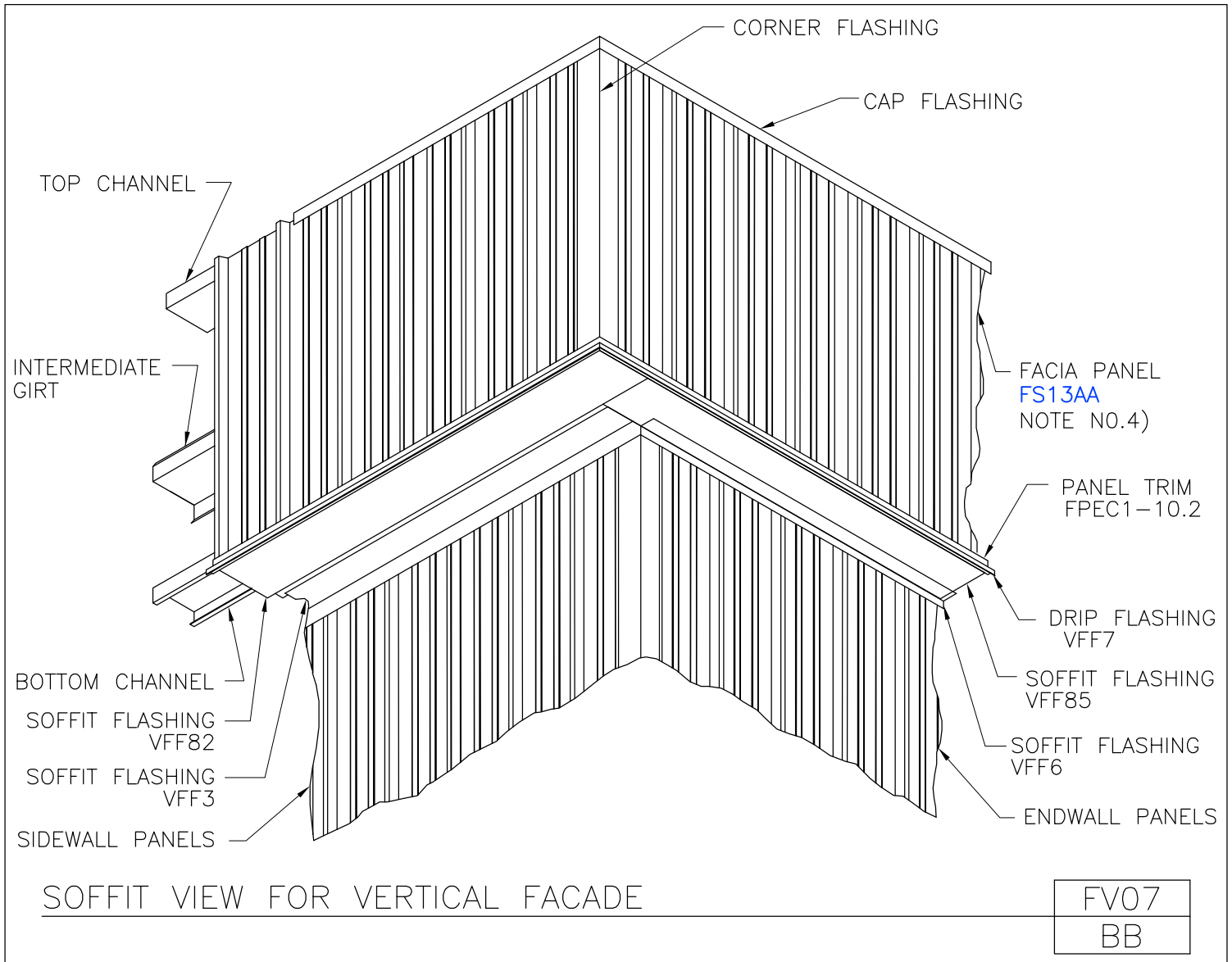
[Download the DWG file by clicking here.](#)

[To Section Index](#)



Soffit View For Vertical Facade

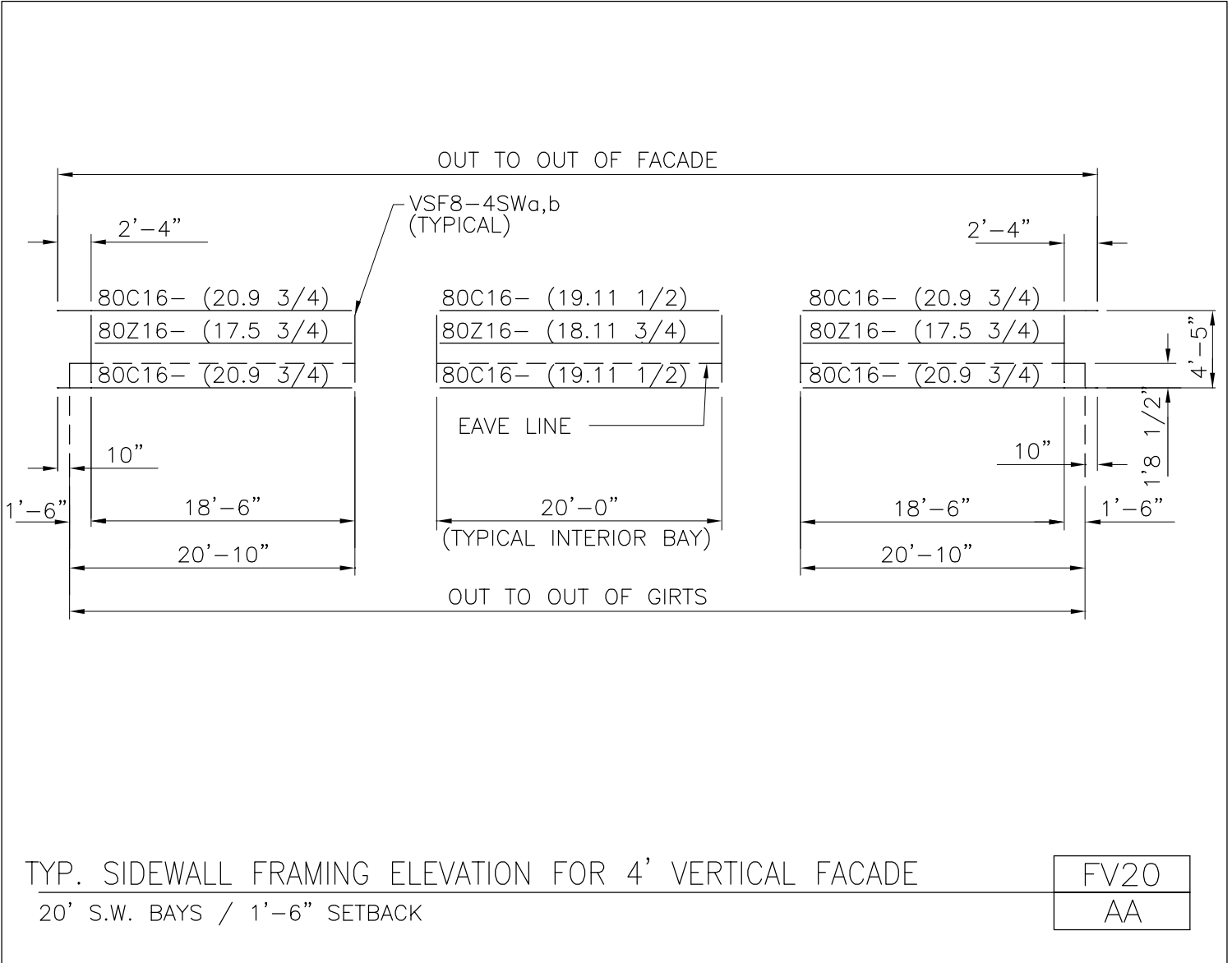
FV07/BB



[Download the DWG file by clicking here.](#)

[To Section Index](#)

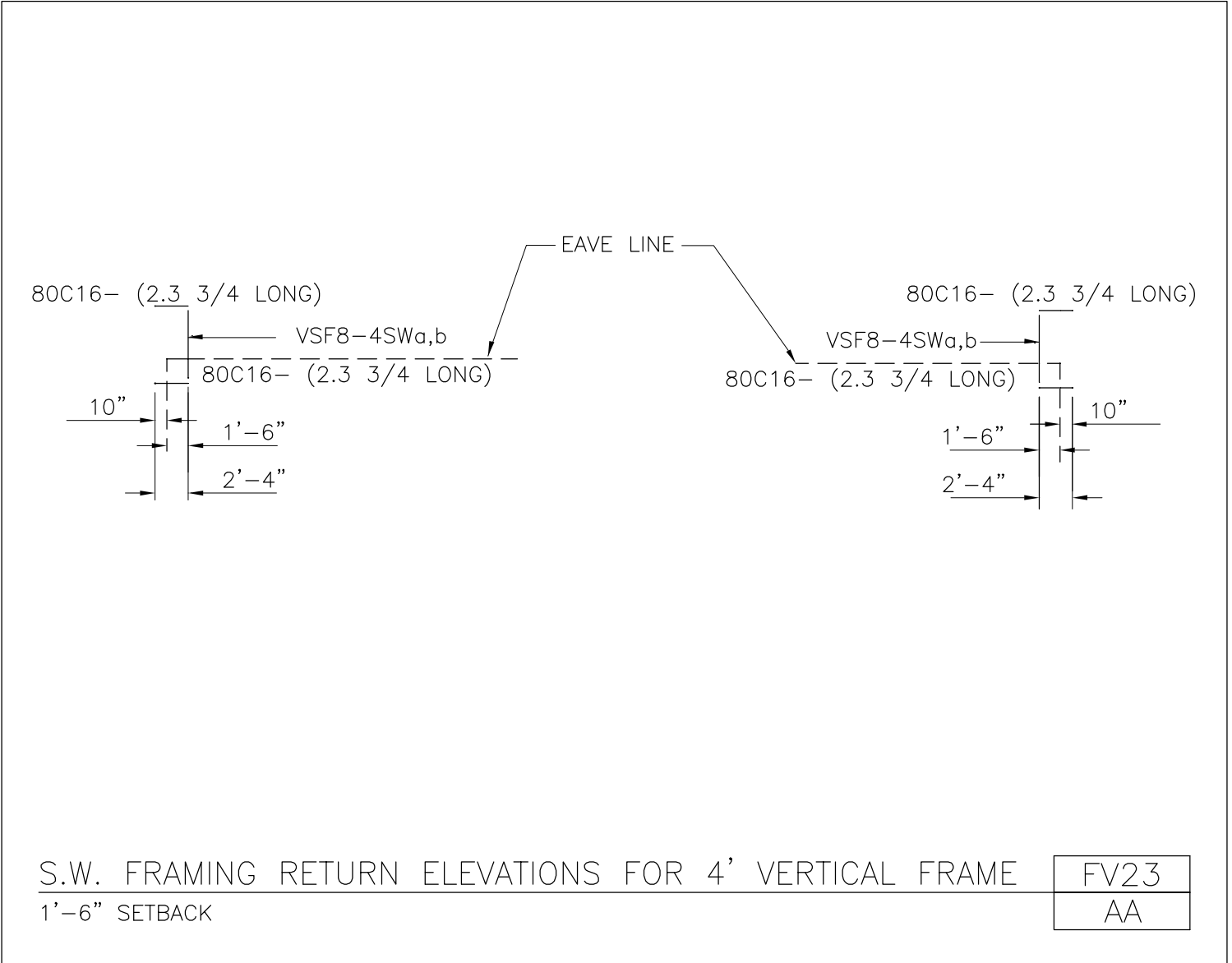
Typical Sidewall Framing Elevation for 4' Vertical Facade  
20' S.W. Bays / 1'-6" Setback  
FV20/AA



[Download the DWG file by clicking here.](#)

[To Section Index](#)

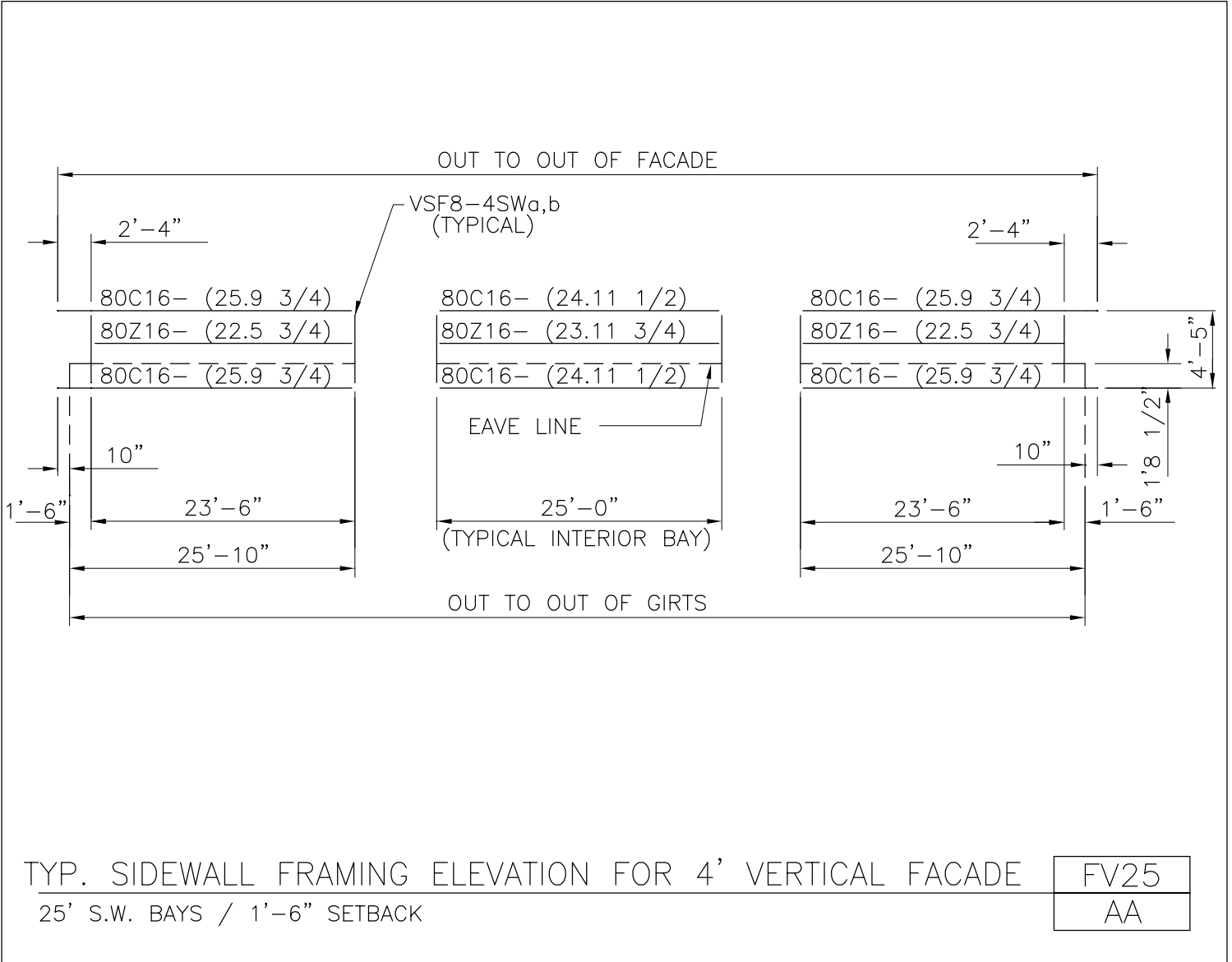
S.W. Framing Return Elevations for Vertical Frame  
1'-6" Setback  
FV23/AA



[Download the DWG file by clicking here.](#)

[To Section Index](#)

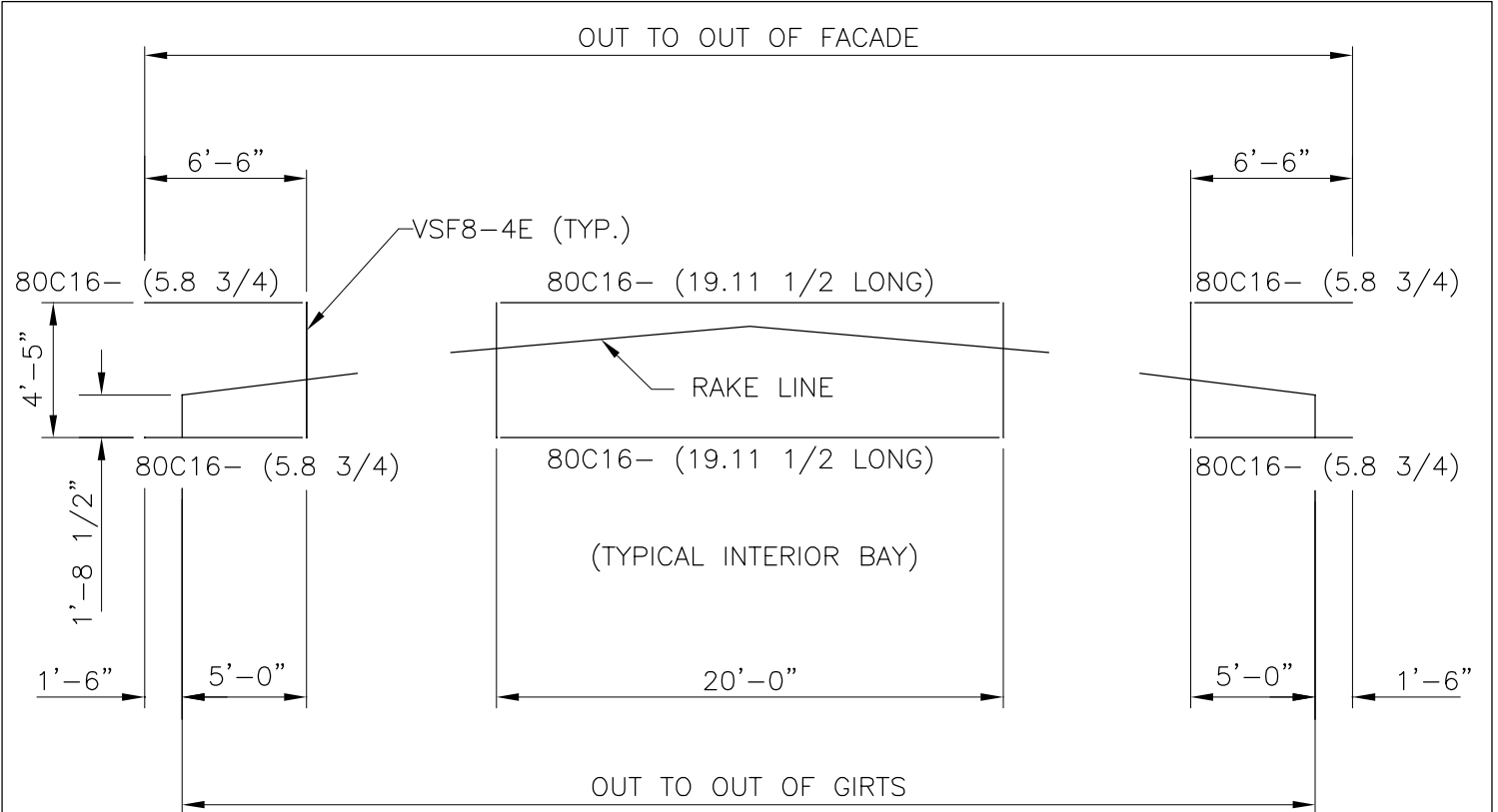
Typical Sidewall Framing Elevation for 4' Vertical Facade  
25' S.W. Bays / 1'-6" Setback  
FV25/AA



[Download the DWG file by clicking here.](#)

[To Section Index](#)

Endwall Framing Elevation for 4' Vertical Facade  
5' E.W. Endbays w/ Adjoining S.W. Facades  
FV26/AA



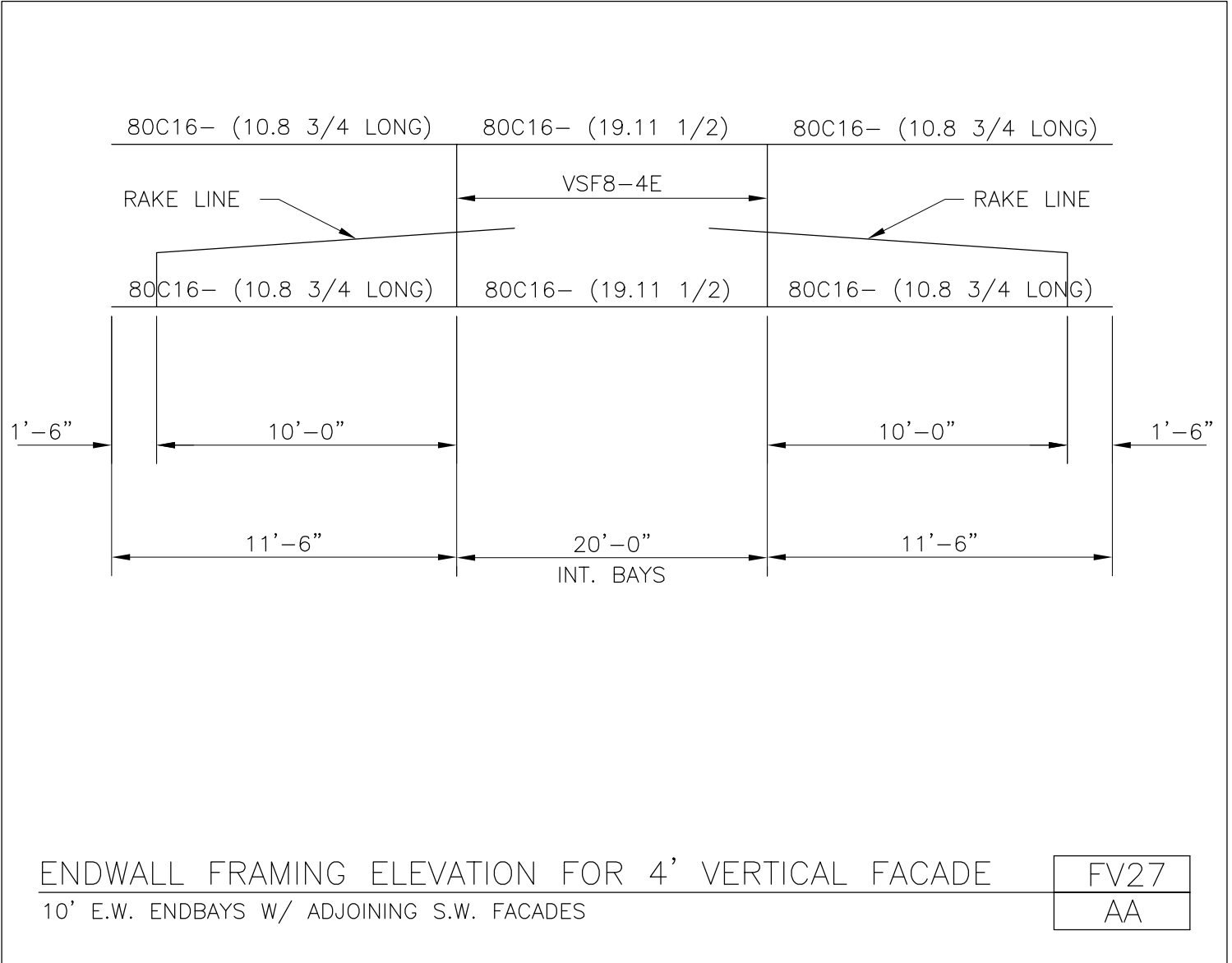
ENDWALL FRAMING ELEVATION FOR 4' VERTICAL FACADE  
5' E.W. ENDBAYS W/ ADJOINING S.W. FACADES

FV26
AA

[Download the DWG file by clicking here.](#)

[To Section Index](#)

Endwall Framing Elevation for 4' Vertical Facade  
10' E.W. Endbays w/ Adjoining S.W. Facades  
FV27/AA



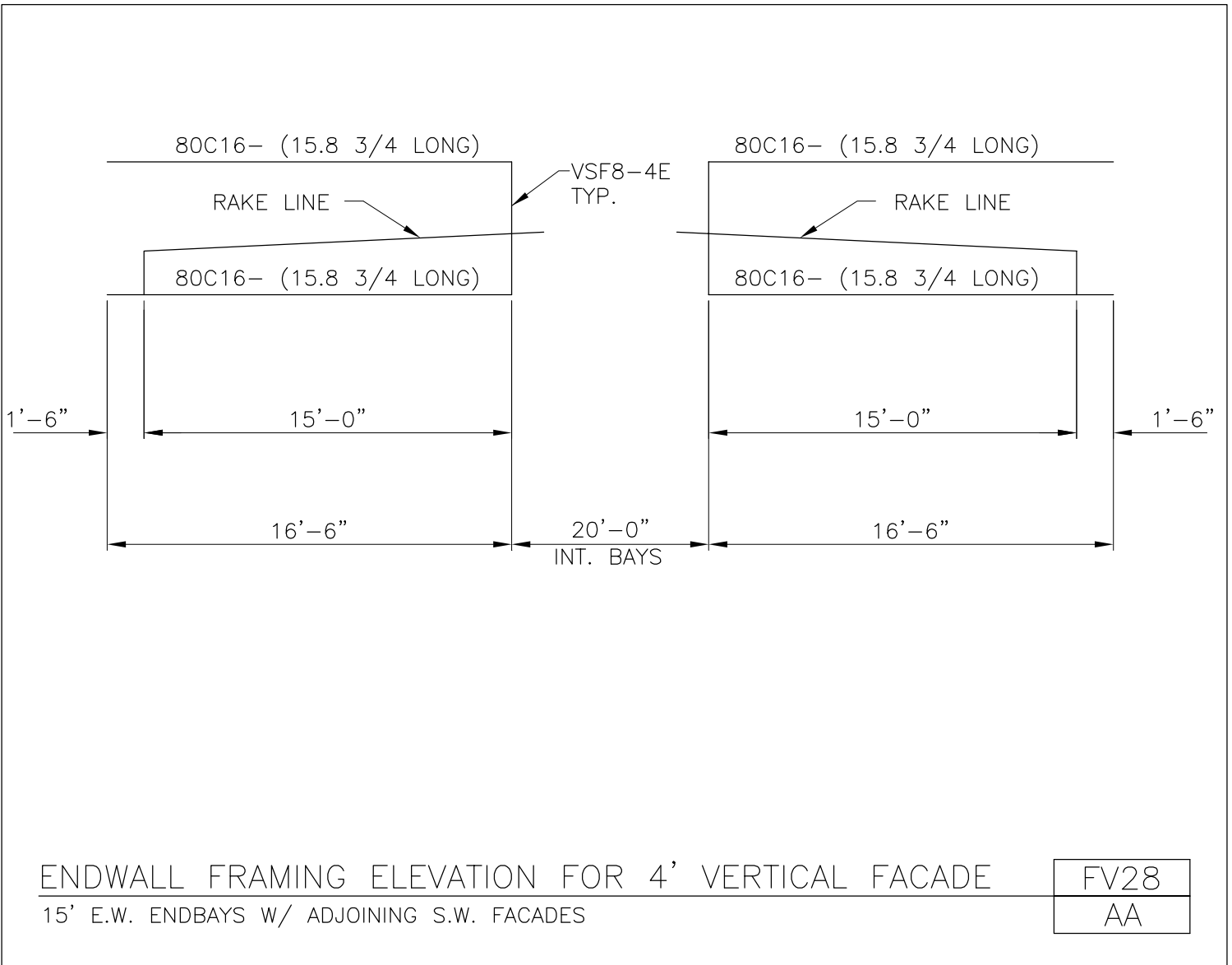
ENDWALL FRAMING ELEVATION FOR 4' VERTICAL FACADE  
10' E.W. ENDBAYS W/ ADJOINING S.W. FACADES

FV27
AA

[Download the DWG file by clicking here.](#)

[To Section Index](#)

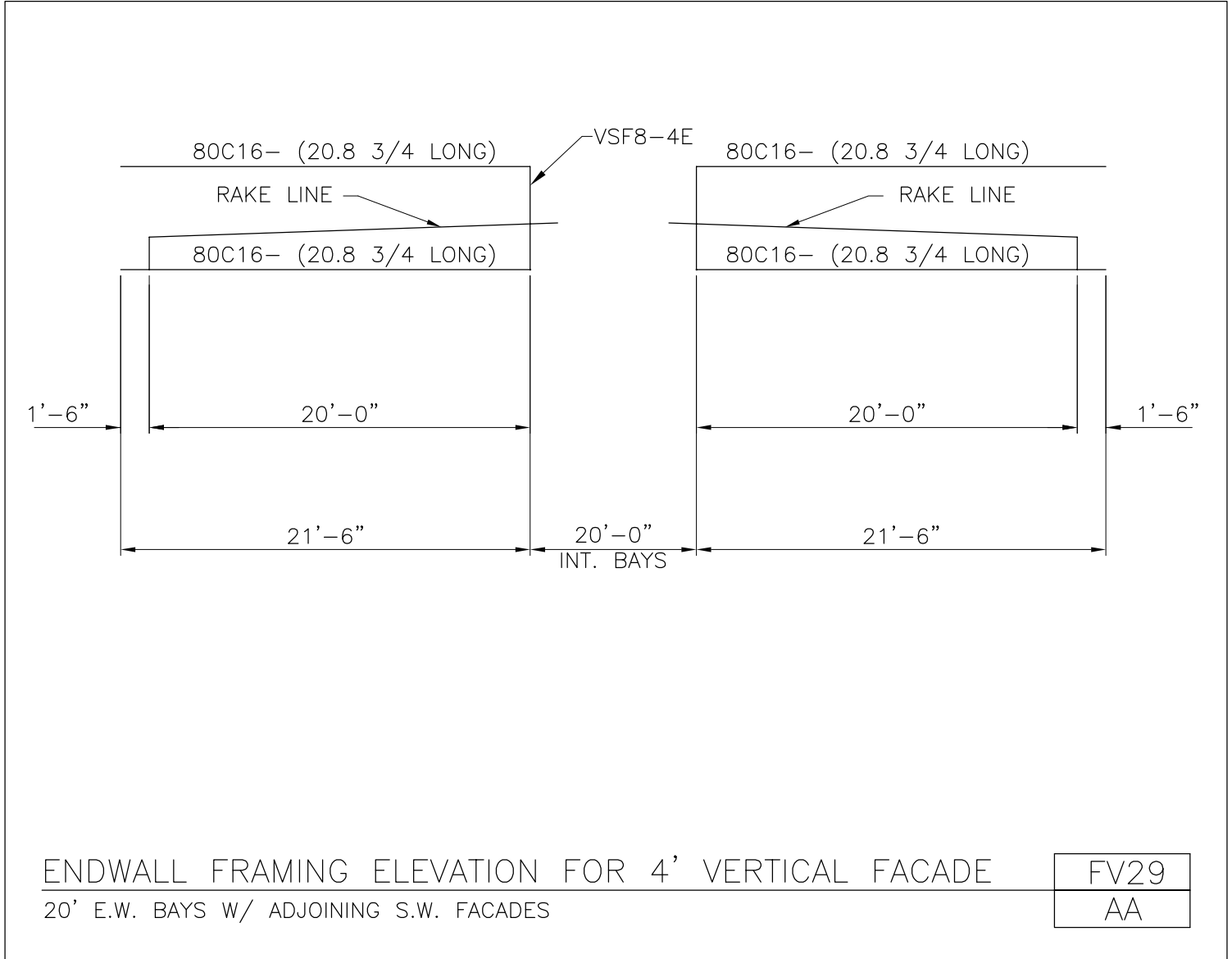
Endwall Framing Elevation for 4' Vertical Facade  
15' E.W. Endbays w/ Adjoining S.W. Facades  
FV28/AA



[Download the DWG file by clicking here.](#)

[To Section Index](#)

Endwall Framing Elevation for 4' Vertical Facade  
20' E.W. Bays w/ Adjoining S.W. Facades  
FV29/AA

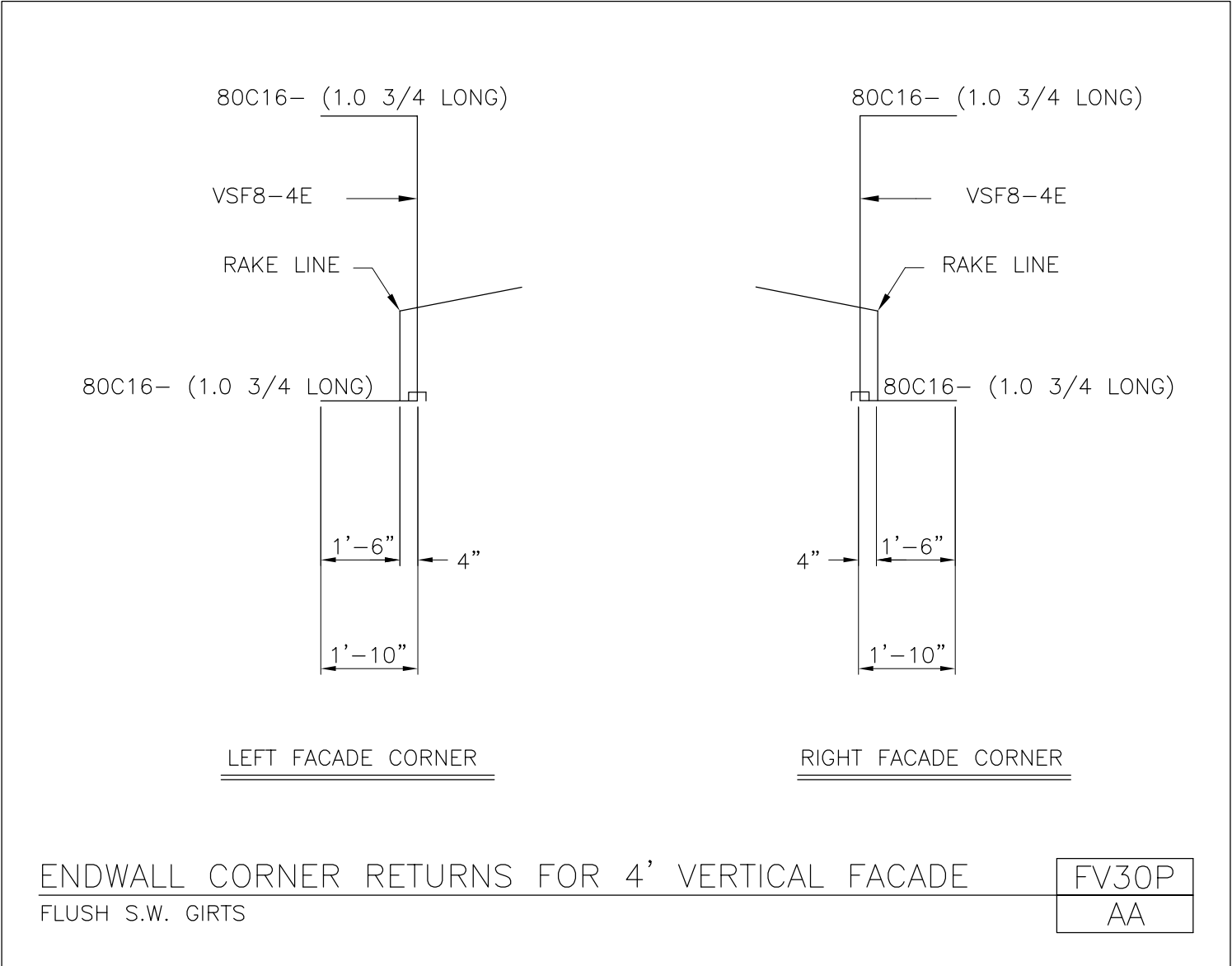


[Download the DWG file by clicking here.](#)

[To Section Index](#)



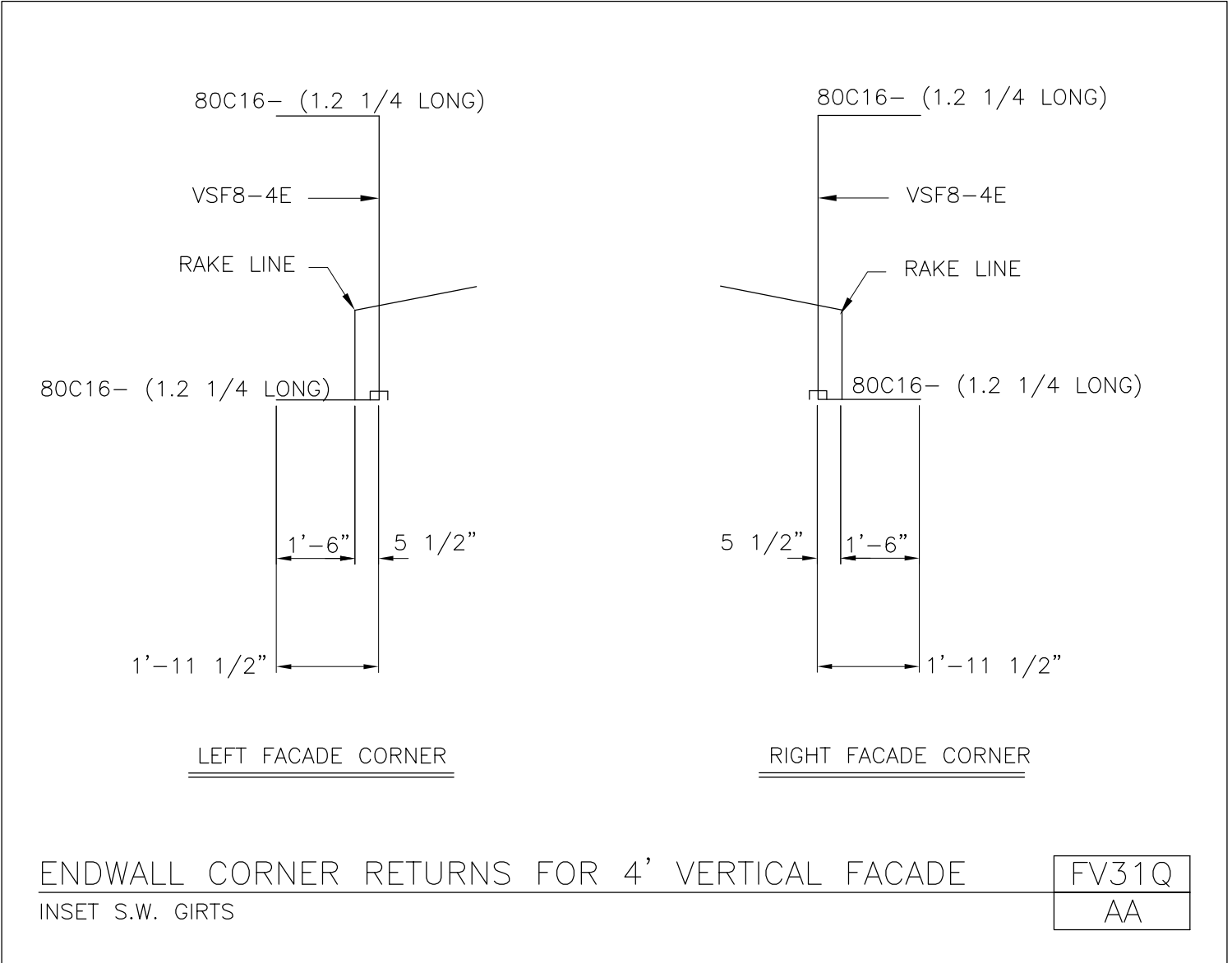
Endwall Corner Returns For 4' Vertical Facade  
Flush S.W. Girts  
FV30P/AA



[Download the DWG file by clicking here.](#)

[To Section Index](#)

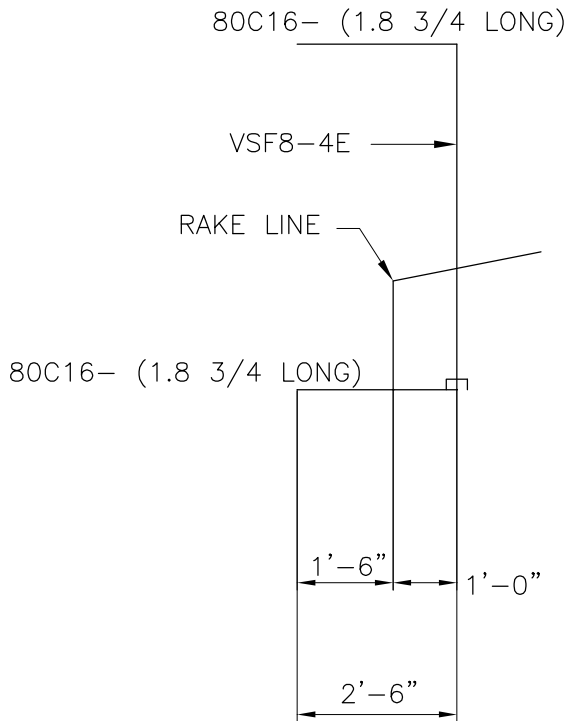
Endwall Corner Returns for 4' Vertical Facade  
Inset S.W. Girts  
FV31Q/AA



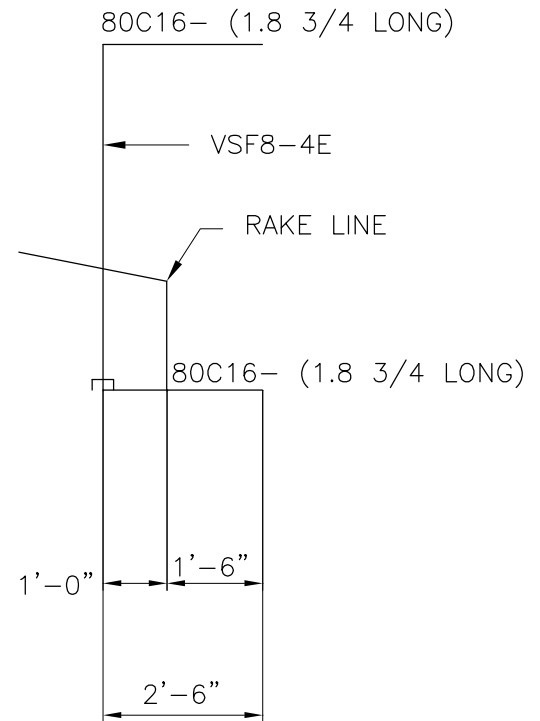
[Download the DWG file by clicking here.](#)

[To Section Index](#)

Endwall Corner Returns for 4" Vertical Facade  
8" Bypass S.W. Girts  
FV32M/AA



LEFT FACADE CORNER



RIGHT FACADE CORNER

ENDWALL CORNER RETURNS FOR 4' VERTICAL FACADE  
8" BYPASS S.W. GIRTS

FV32M
AA

[Download the DWG file by clicking here.](#)

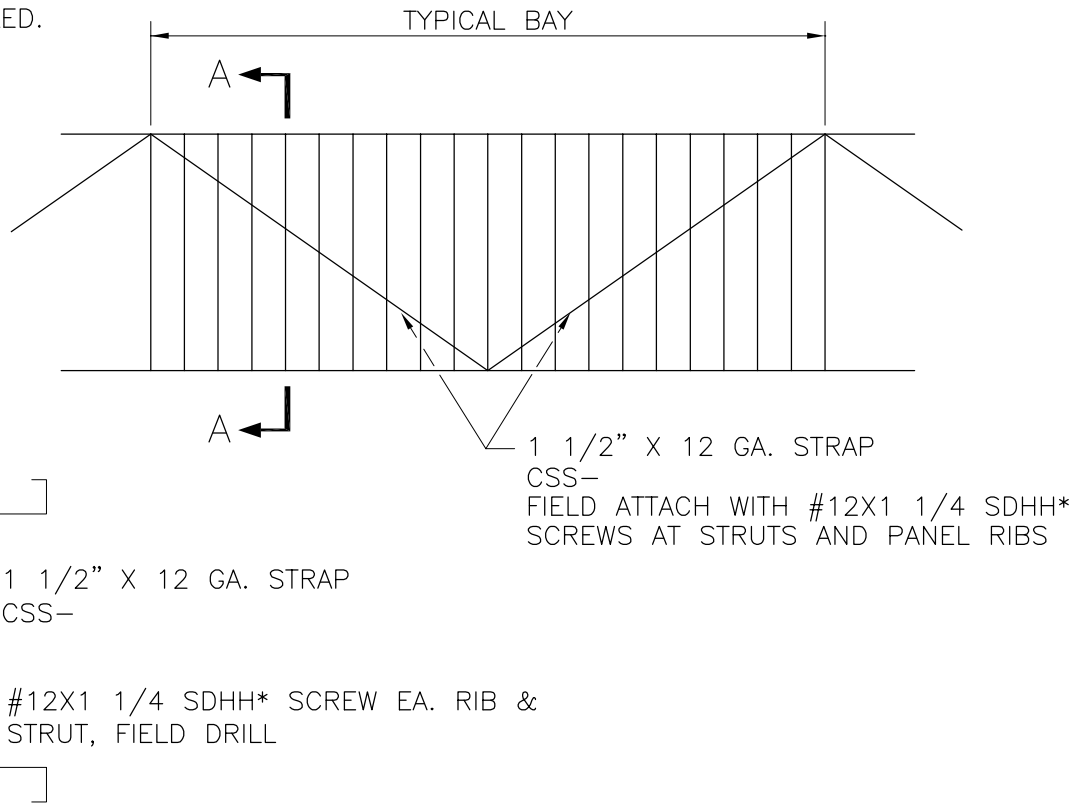
[To Section Index](#)

Diagonal Strapping Detail at Vertical Facade  
Shadow Panels/Stucco Choice Panels/30FT Bays All Panel Types  
FV35/AA

NOTE:

STRUTS MUST BE ALIGNED BEFORE DIAGONAL STRAP AND PANEL IS INSTALLED.

ADD 1 1/2" X 12 GA. STRAP DIAGONAL AS SHOWN BY THE DETAIL BELOW:



SECTION A-A

\* #12X1 SDYC W/NUTBLK @ SHADOW PANEL

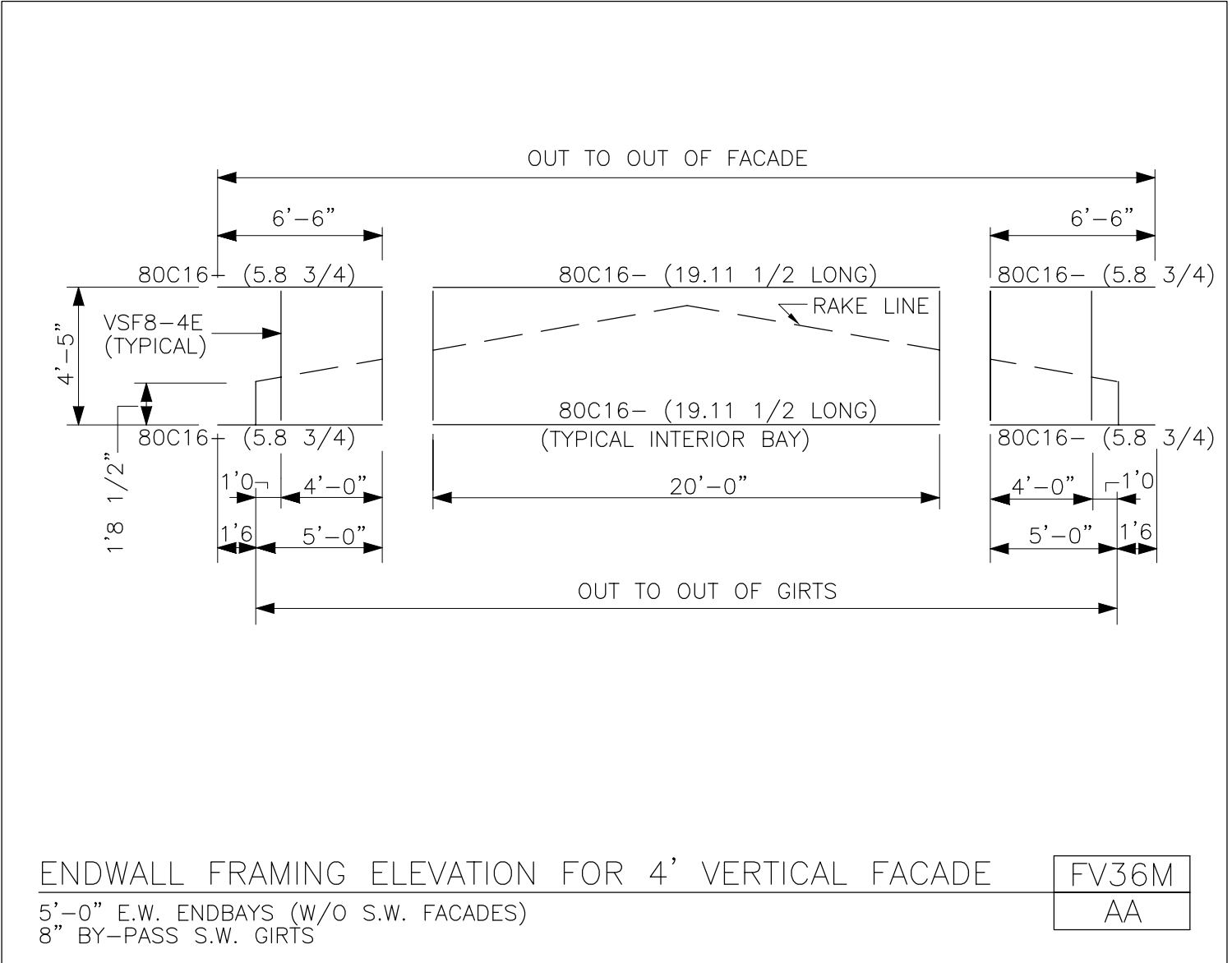
DIAGONAL STRAPPING DETAIL AT VERTICAL FACADE  
SHADOW PANELS/STUCCO CHOICE PANELS/30FT BAYS ALL PANEL TYPES

FV35
AA

[Download the DWG file by clicking here.](#)

[To Section Index](#)

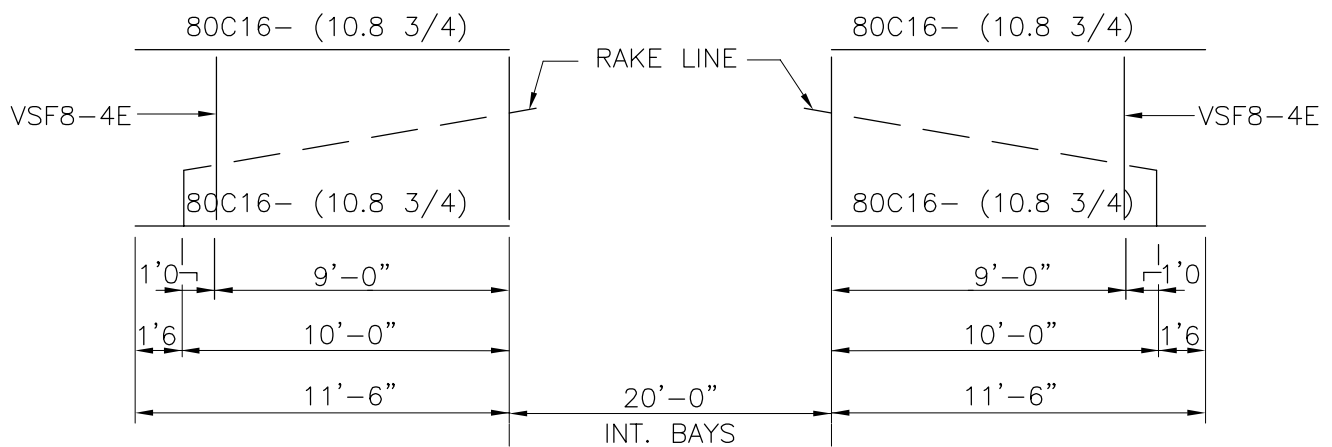
Endwall Framing Elevation for 4' Vertical Facade  
 5'-0" E.W. Endbays (w/o S.W. Facades) 8" Bypass S.W. Girts  
 FV36M/AA



[Download the DWG file by clicking here.](#)

[To Section Index](#)

Endwall Framing Elevation for 4' Vertical Facade  
 10' E.W. Endbays (w/o S.W. Facades) 8" Bypass S.W. Girts  
 FV37M/AA



ENDWALL FRAMING ELEVATION FOR 4' VERTICAL FACADE

10' E.W. ENDBAYS (W/O S.W. FACADES)  
 8" BY-PASS S.W. GIRTS

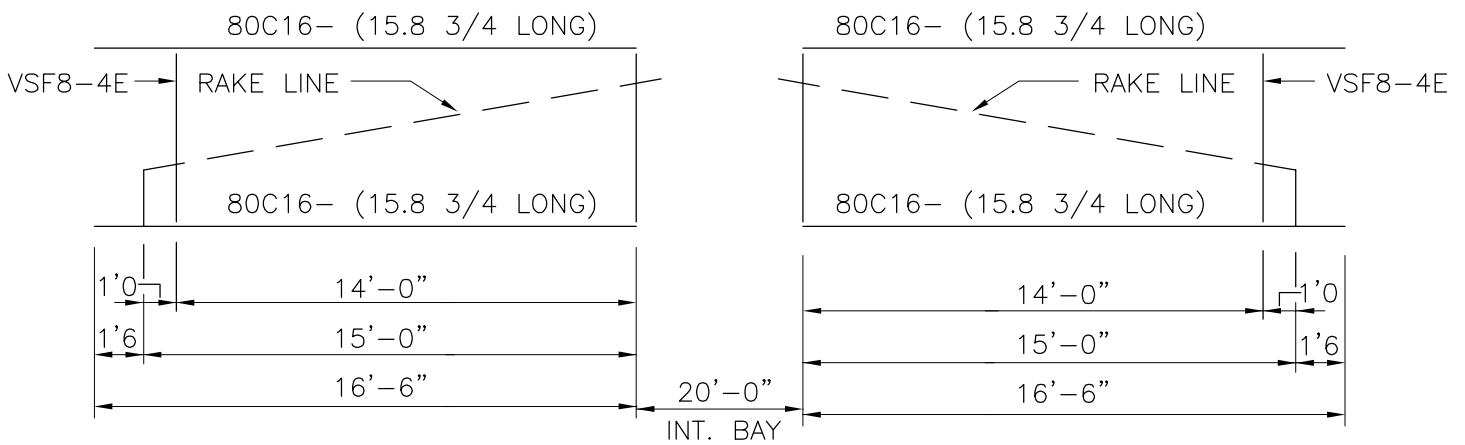
FV37M

AA

[Download the DWG file by clicking here.](#)

[To Section Index](#)

Endwall Framing Elevation for 4' Vertical Facade  
15' E.W. Endbays (w/o Facades) 8" Bypass S.W. Girts  
FV38M/AA



ENDWALL FRAMING ELEVATION FOR 4' VERTICAL FACADE

15' E.W. ENDBAYS (W/O S.W. FACADES)  
8" BY-PASS S.W. GIRTS

FV38M
AA

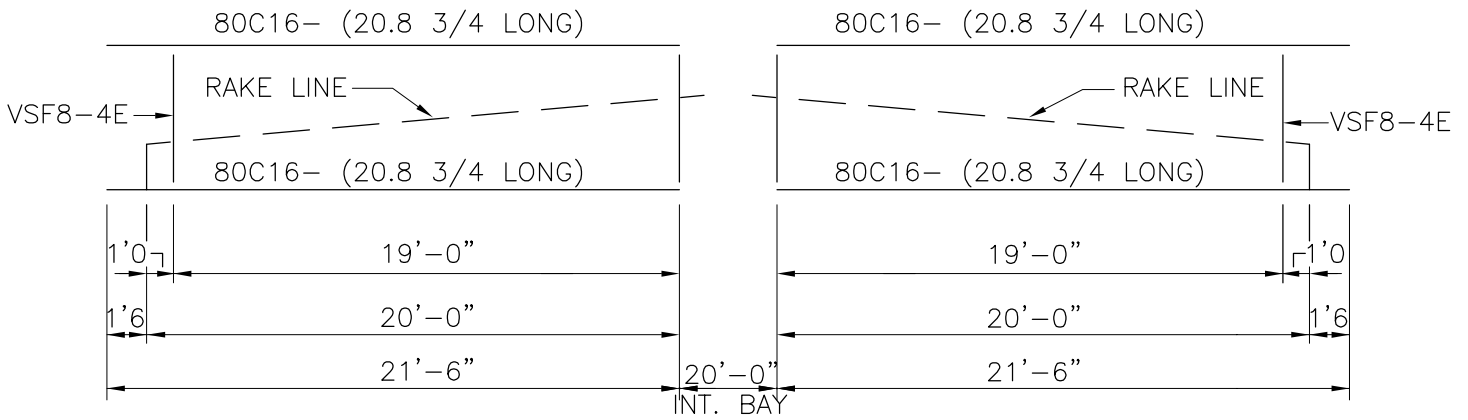
[Download the DWG file by clicking here.](#)

[To Section Index](#)



A **NUCOR** COMPANY

Endwall Framing Elevation for 4' Vertical Facade  
20' E.W. Endbays (w/o S.W. Facades) 8" Bypass S.W. Girts  
FV39M/AA



ENDWALL FRAMING ELEVATION FOR 4' VERTICAL FACADE

20' E.W. ENDBAYS (W/O S.W. FACADES)  
8" BY-PASS S.W. GIRTS

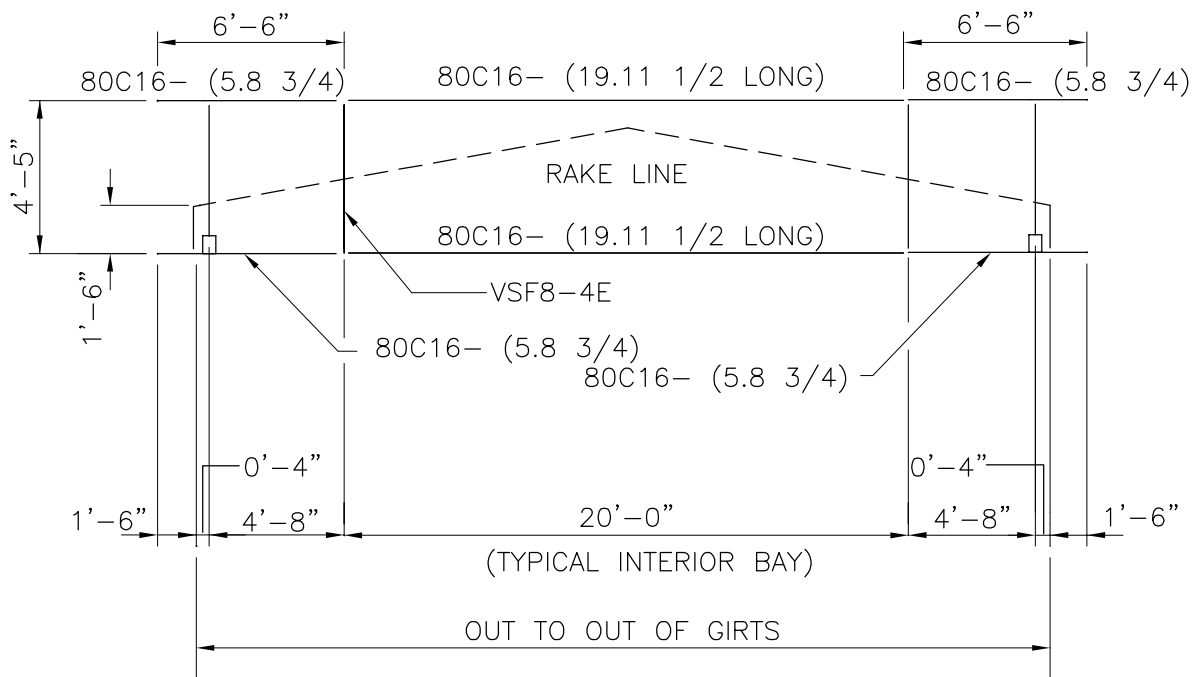
FV39M
AA

[Download the DWG file by clicking here.](#)

[To Section Index](#)



Endwall Framing Elevation for 4' Vertical Facade  
5' E.W. Endbays (w/o S.W. Facades) Flush S.W. Girts  
FV46P/AA



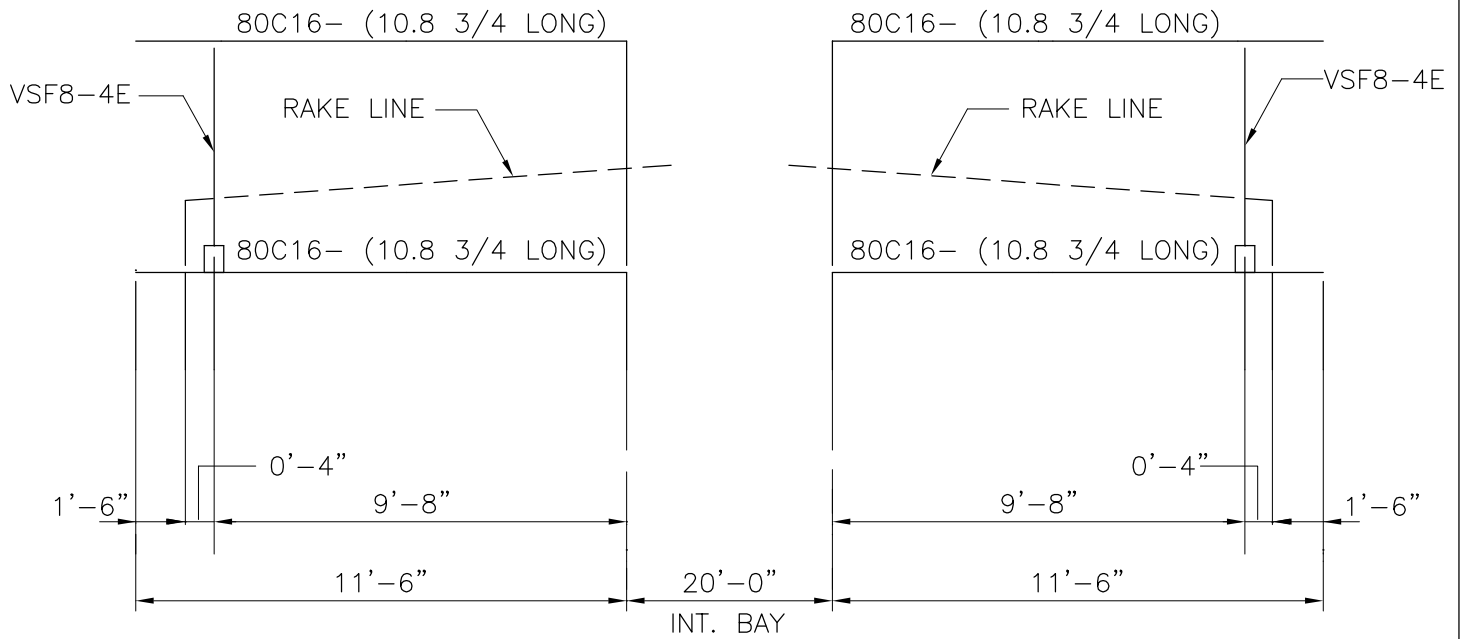
ENDWALL FRAMING ELEVATION FOR 4' VERTICAL FACADE  
5' E.W. ENDBAYS (W/O S.W. FACADES)  
FLUSH S.W. GIRTS

FV46P
AA

[Download the DWG file by clicking here.](#)

[To Section Index](#)

Endwall Framing Elevation for 4' Vertical Facade  
10' E.W. Endbays (w/o S.W. Facades) Flush S.W. Girts  
FV47P/AA



ENDWALL FRAMING ELEVATION FOR 4' VERTICAL FACADE

10' E.W. ENDBAYS (W/O S.W. FACADES)  
FLUSH S.W. GIRTS

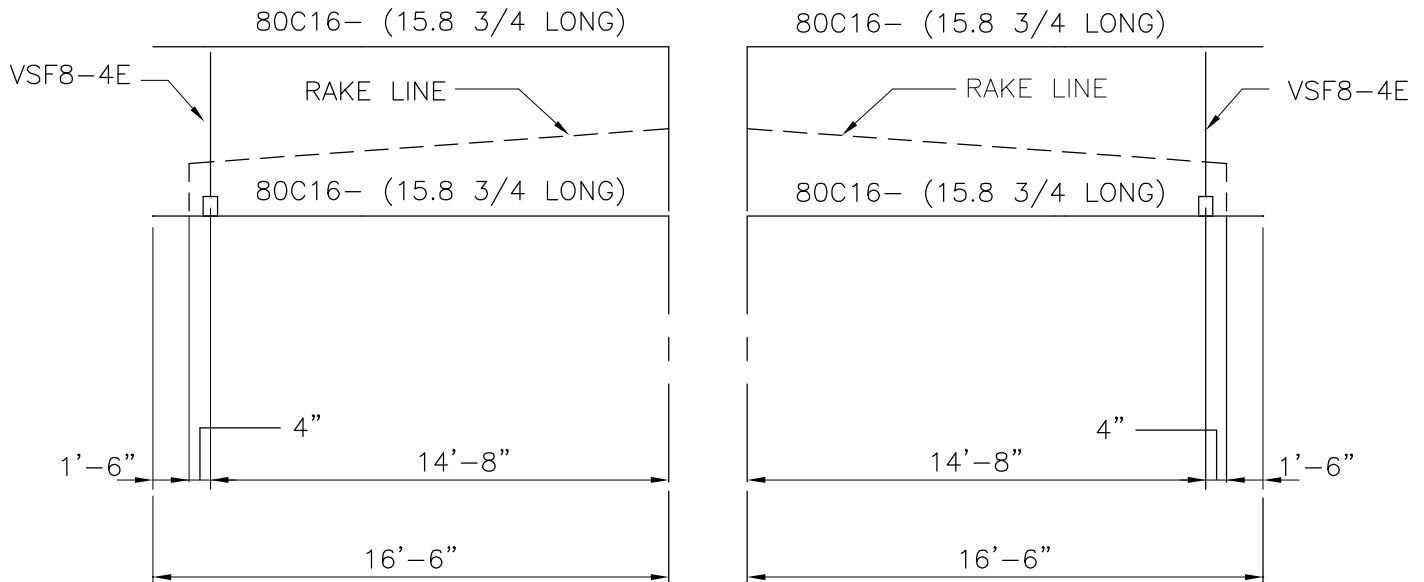
FV47P

AA

[Download the DWG file by clicking here.](#)

[To Section Index](#)

Endwall Framing Elevation for 4' Vertical Facade  
15' E.W. Endbays (w/o S.W. Facades) Flush S.W. Girts  
FV48P/AA



ENDWALL FRAMING ELEVATION FOR 4' VERTICAL FACADE

15' E.W. ENDBAYS (W/O S.W. FACADES)  
FLUSH S.W. GIRTS

FV48P

AA

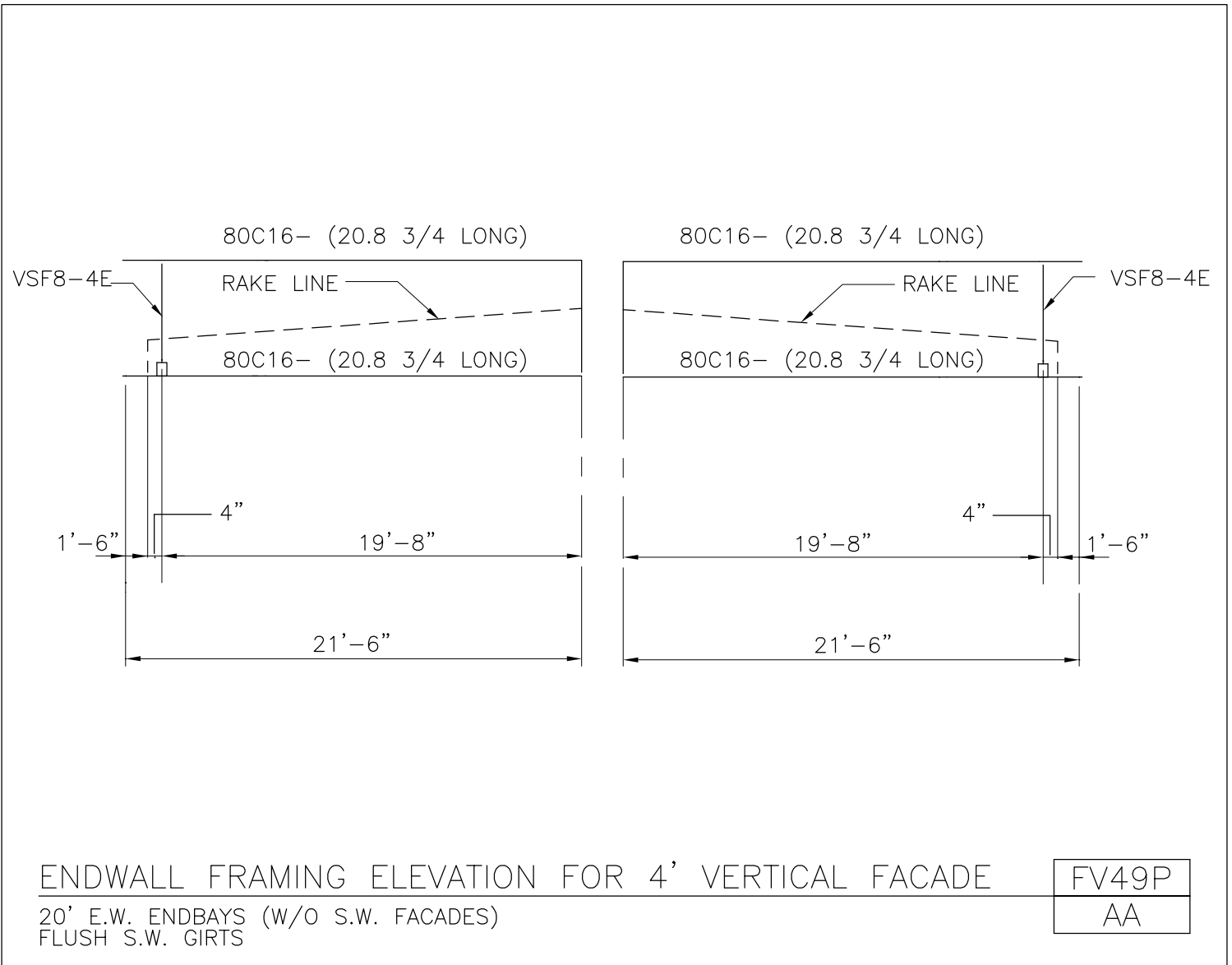
[Download the DWG file by clicking here.](#)

[To Section Index](#)



A **NUCOR** COMPANY

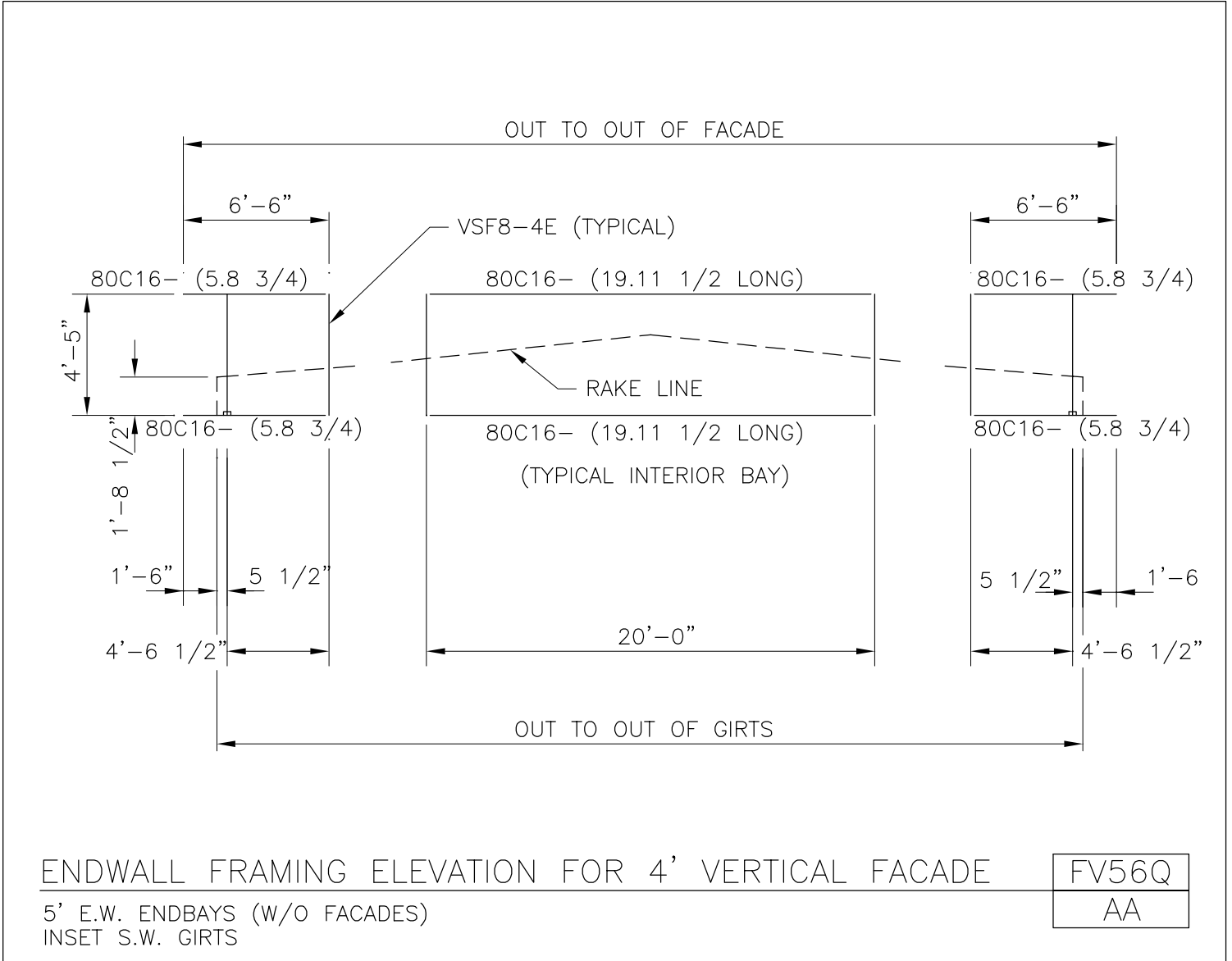
Endwall Framing Elevation for 4' Vertical Facade  
20' E.W. Endbays (w/o S.W. Facades) Flush S.W. Girts  
FV49P/AA



[Download the DWG file by clicking here.](#)

[To Section Index](#)

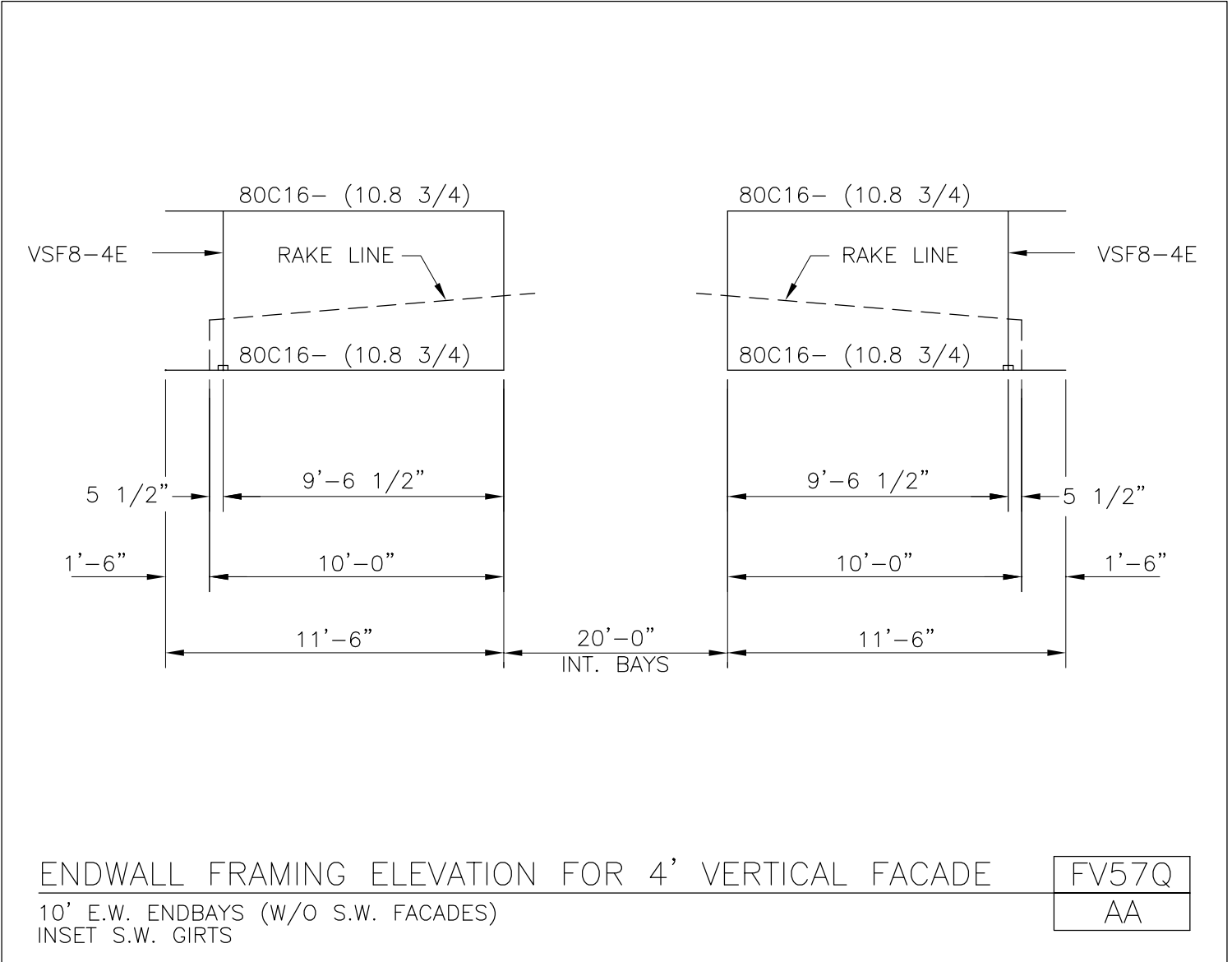
Endwall Framing Elevation for 4' Vertical Facade  
5' E.W. Endbays (w/o Facades) Inset S.W. Girts  
FV56Q/AA



[Download the DWG file by clicking here.](#)

[To Section Index](#)

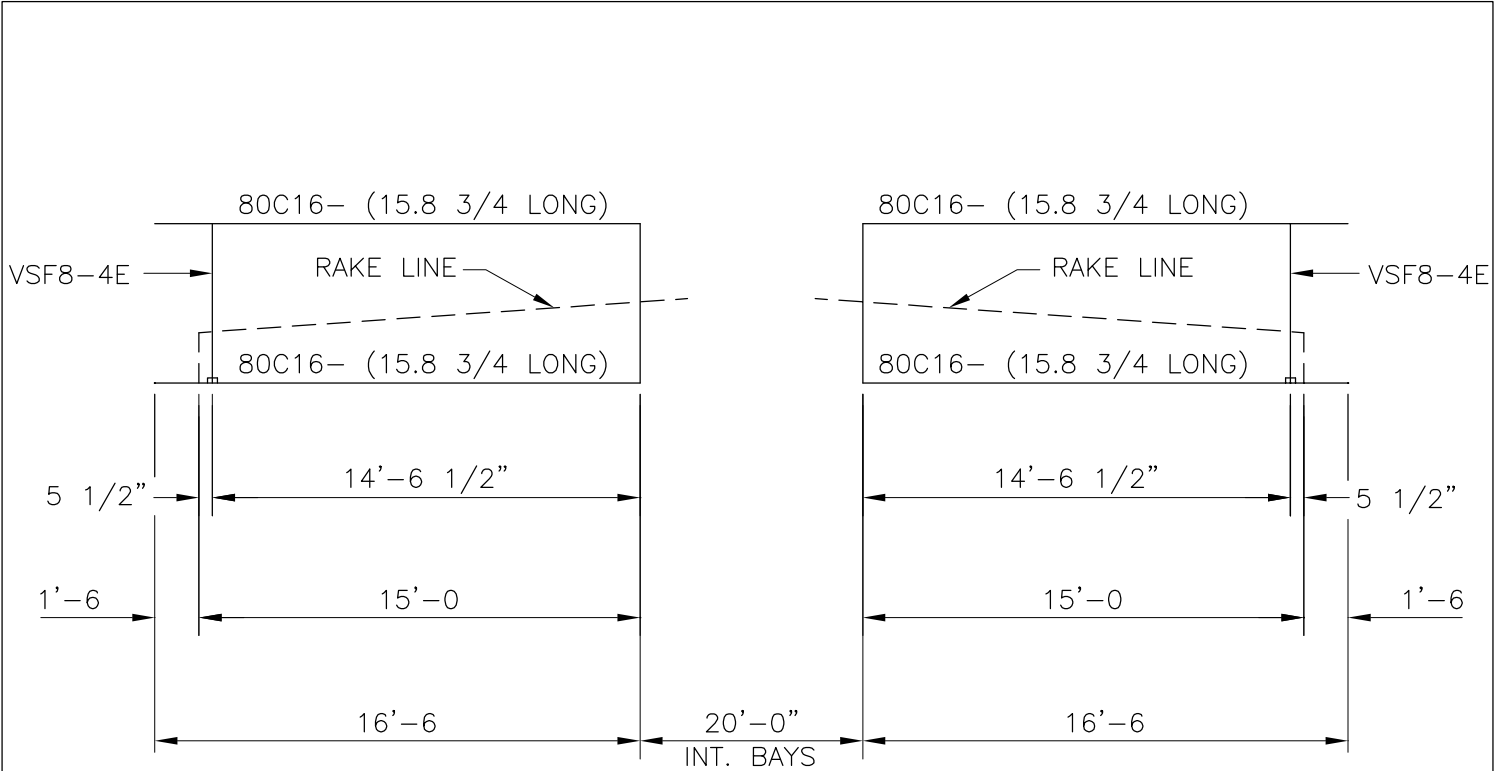
Endwall Framing Elevation for 4' Vertical Facade  
10' E.W. Endbays (w/o S.W. Facades) Inset S.W. Girts  
FV57Q/AA



[Download the DWG file by clicking here.](#)

[To Section Index](#)

Endwall Framing Elevation for 4' Vertical Facade  
15' E.W. Endbays (w/o S.W. Facades) Inset S.W. Girts  
FV58Q/AA



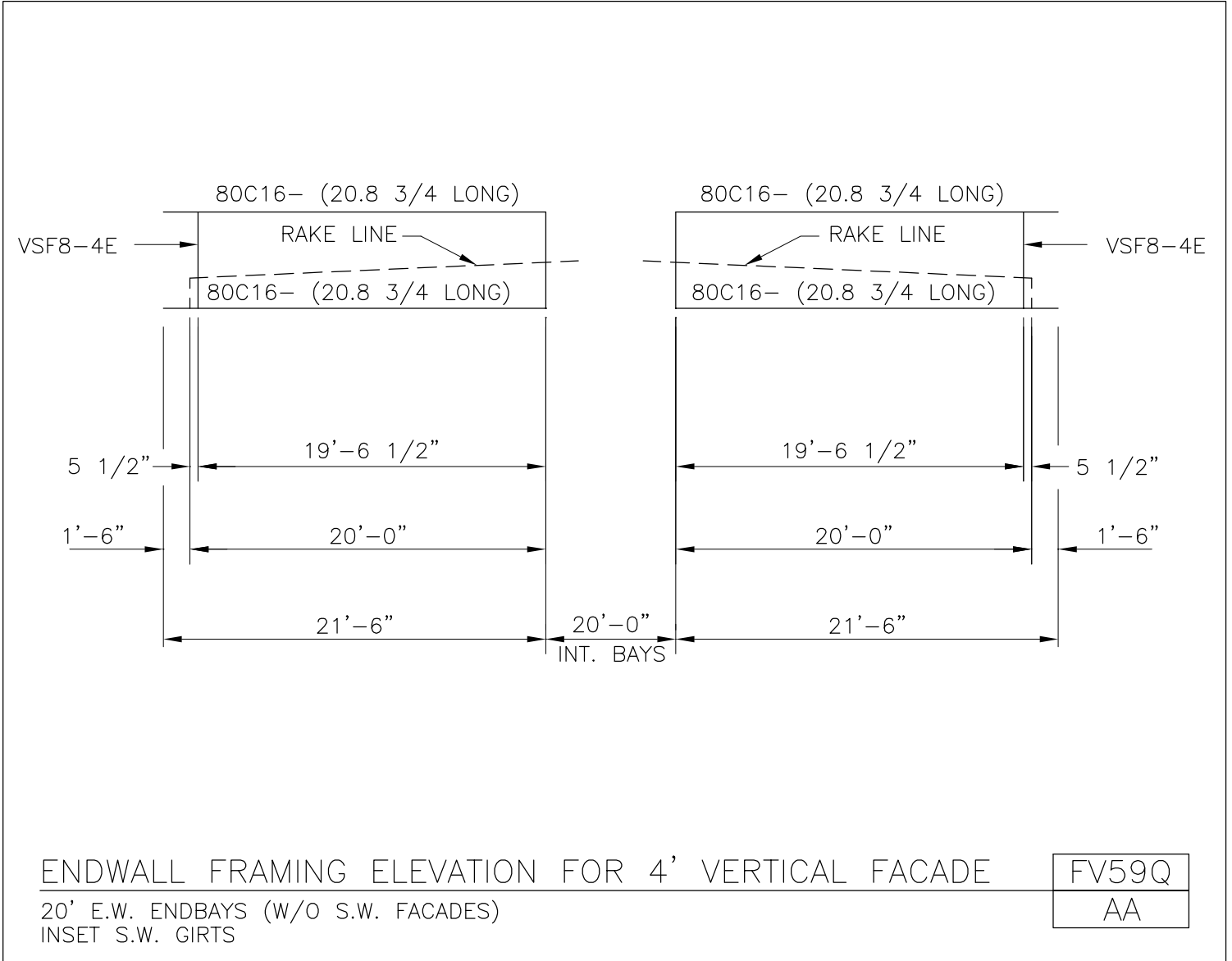
ENDWALL FRAMING ELEVATIONS FOR 4' VERTICAL FACADE  
15' E.W. ENDBAYS (W/O S.W. FACADES)  
INSET S.W. GIRTS

FV58Q
AA

[Download the DWG file by clicking here.](#)

[To Section Index](#)

Endwall Framing Elevation for 4' Vertical Facade  
 20' E.W. Endbays (w/o S.W. Facades) Inset S.W. Girts  
 FV59Q/AA

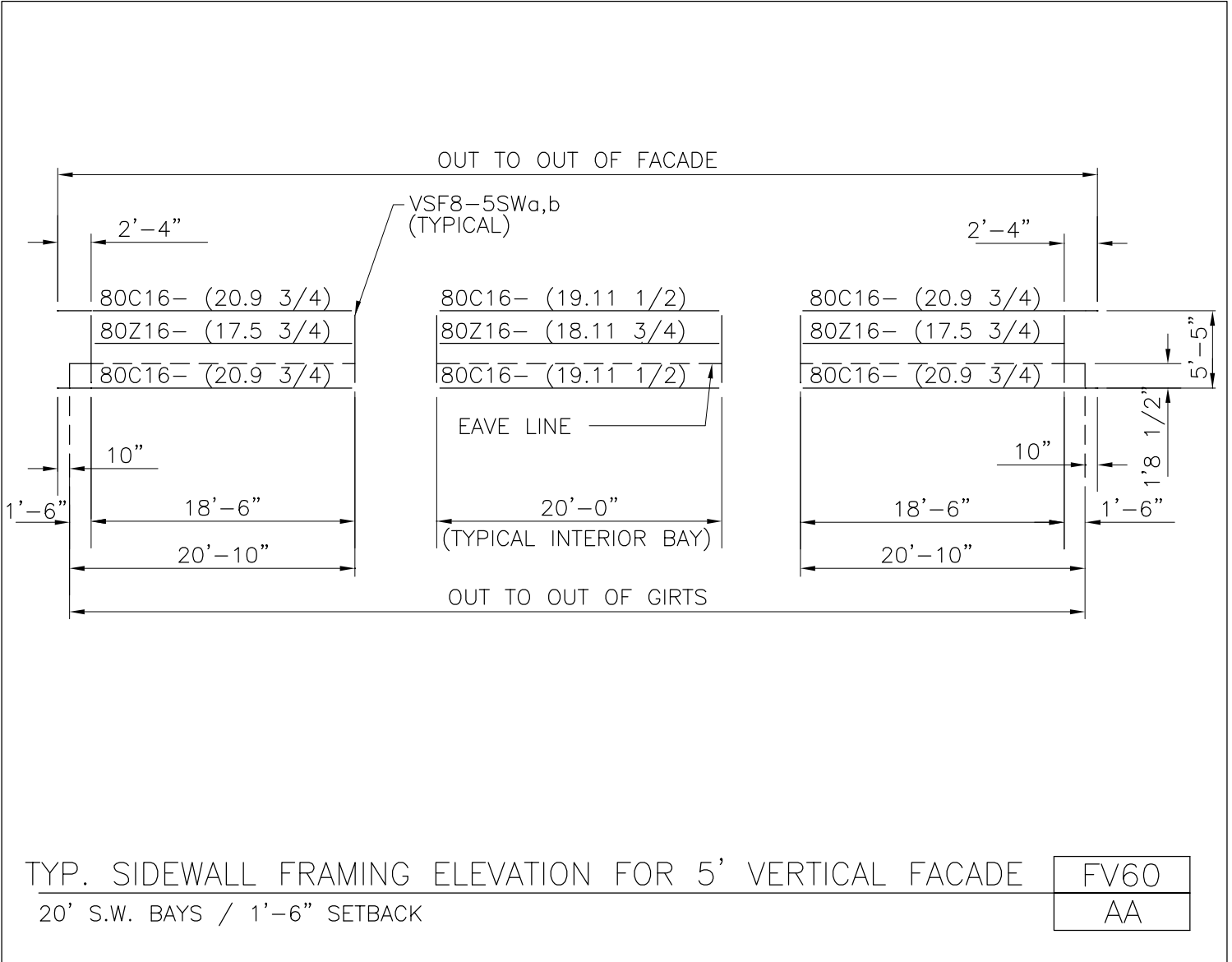


[Download the DWG file by clicking here.](#)

[To Section Index](#)



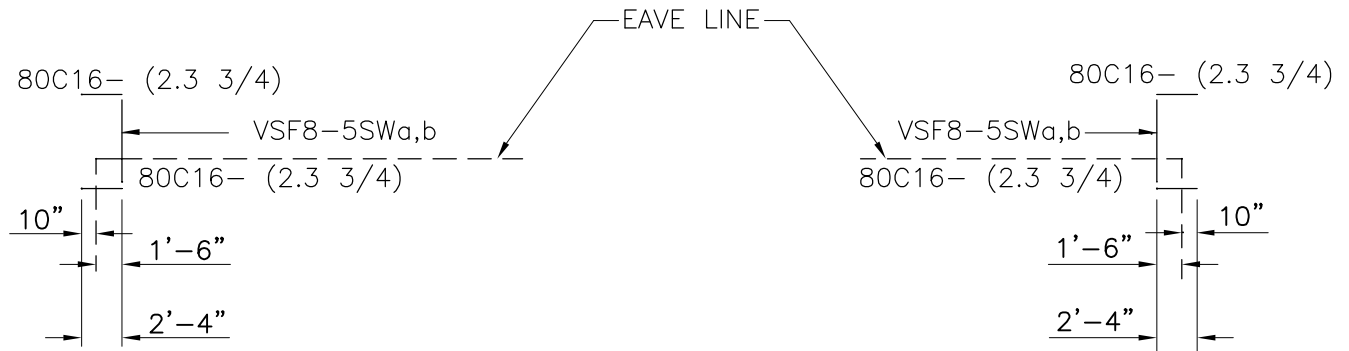
Typical Sidewall Framing Elevation For 5' Vertical Facade  
20' S.W. Bays / 1'-6" Setback  
FV60/AA



[Download the DWG file by clicking here.](#)

[To Section Index](#)

S.W. Framing Return Elevations For 5' Vertical Frame  
1'-6" Setback  
FV63/AA



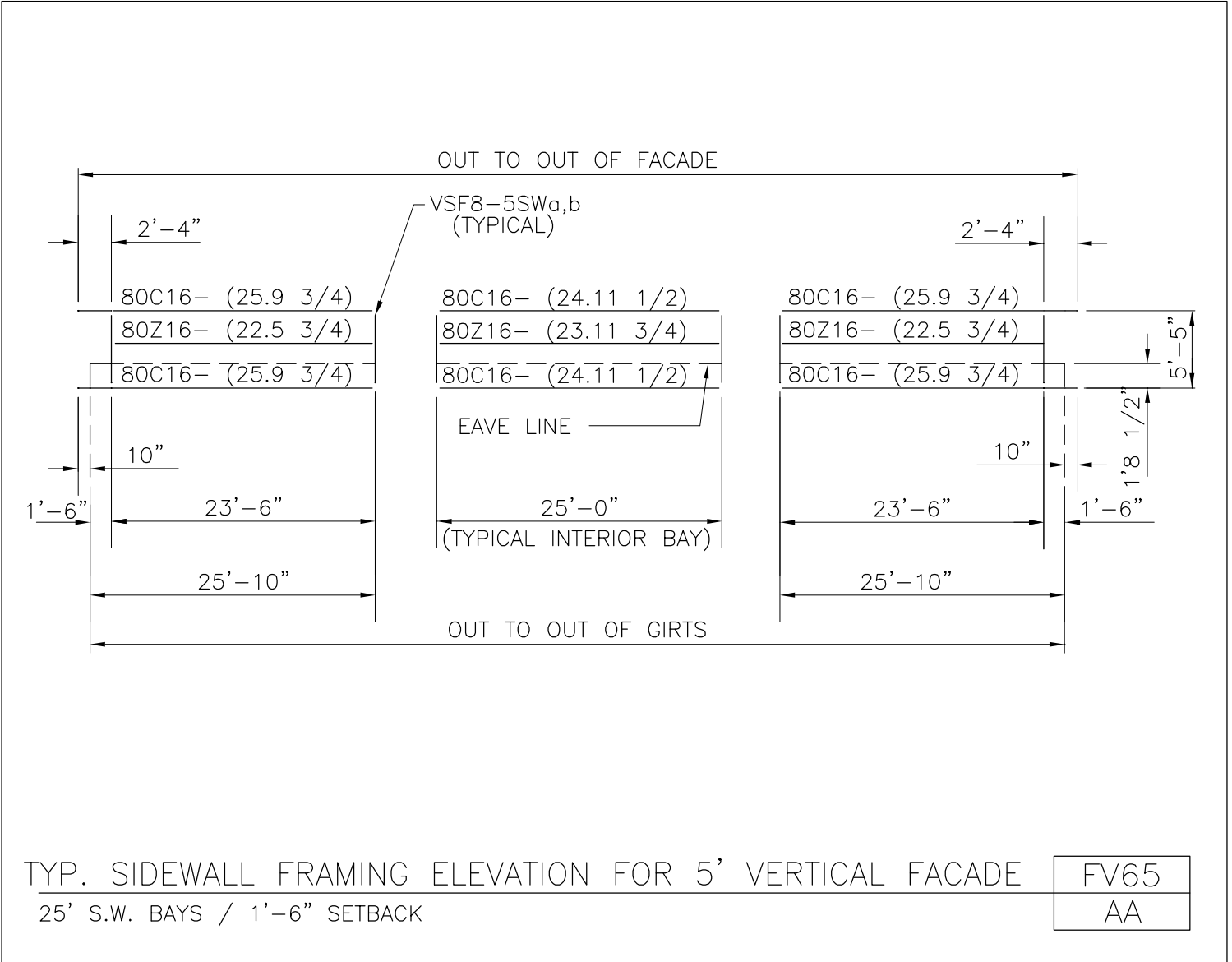
S.W. FRAMING RETURN ELEVATIONS FOR 5' VERTICAL FRAME  
1'-6" SETBACK

FV63
AA

[Download the DWG file by clicking here.](#)

[To Section Index](#)

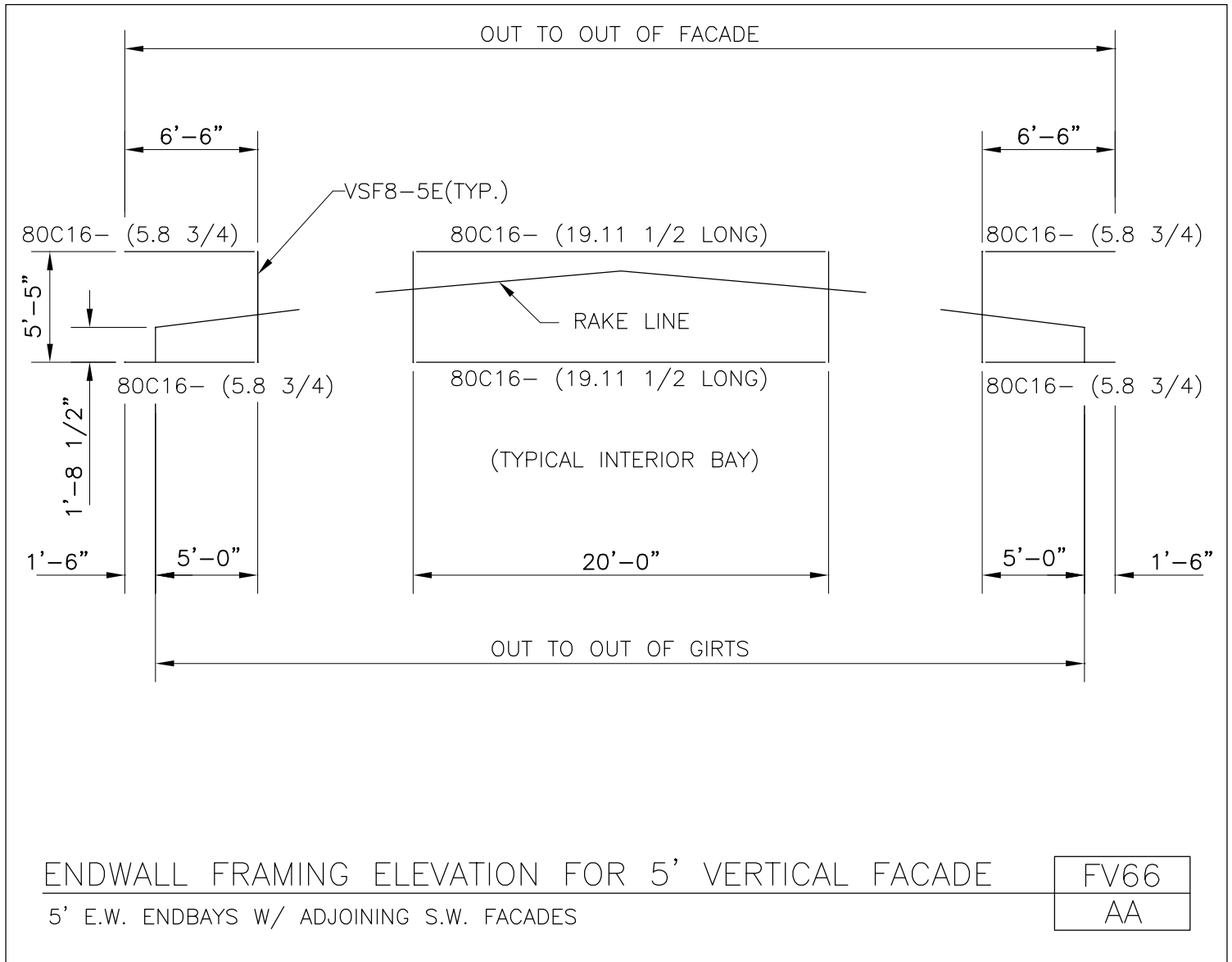
Typical Sidewall Framing Elevation for 5' Sloped Facade  
25' S.W. Bays / 1'-6" Setback  
FV65/AA



[Download the DWG file by clicking here.](#)

[To Section Index](#)

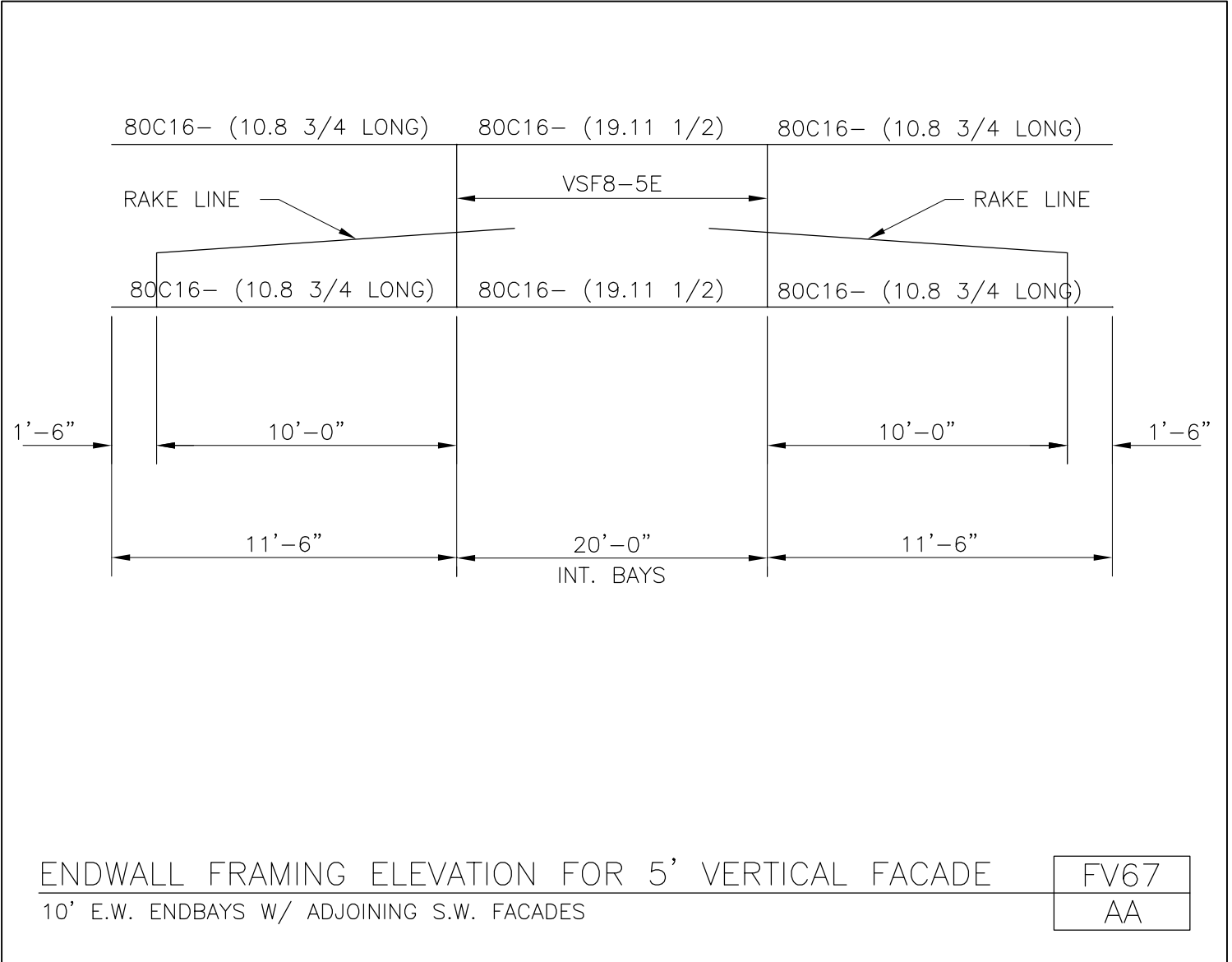
Endwall Framing Elevation For 5' Vertical Facade  
5' E.W. Endbays w/ Adjoining S.W. Facades  
FV66/AA



[Download the DWG file by clicking here.](#)

[To Section Index](#)

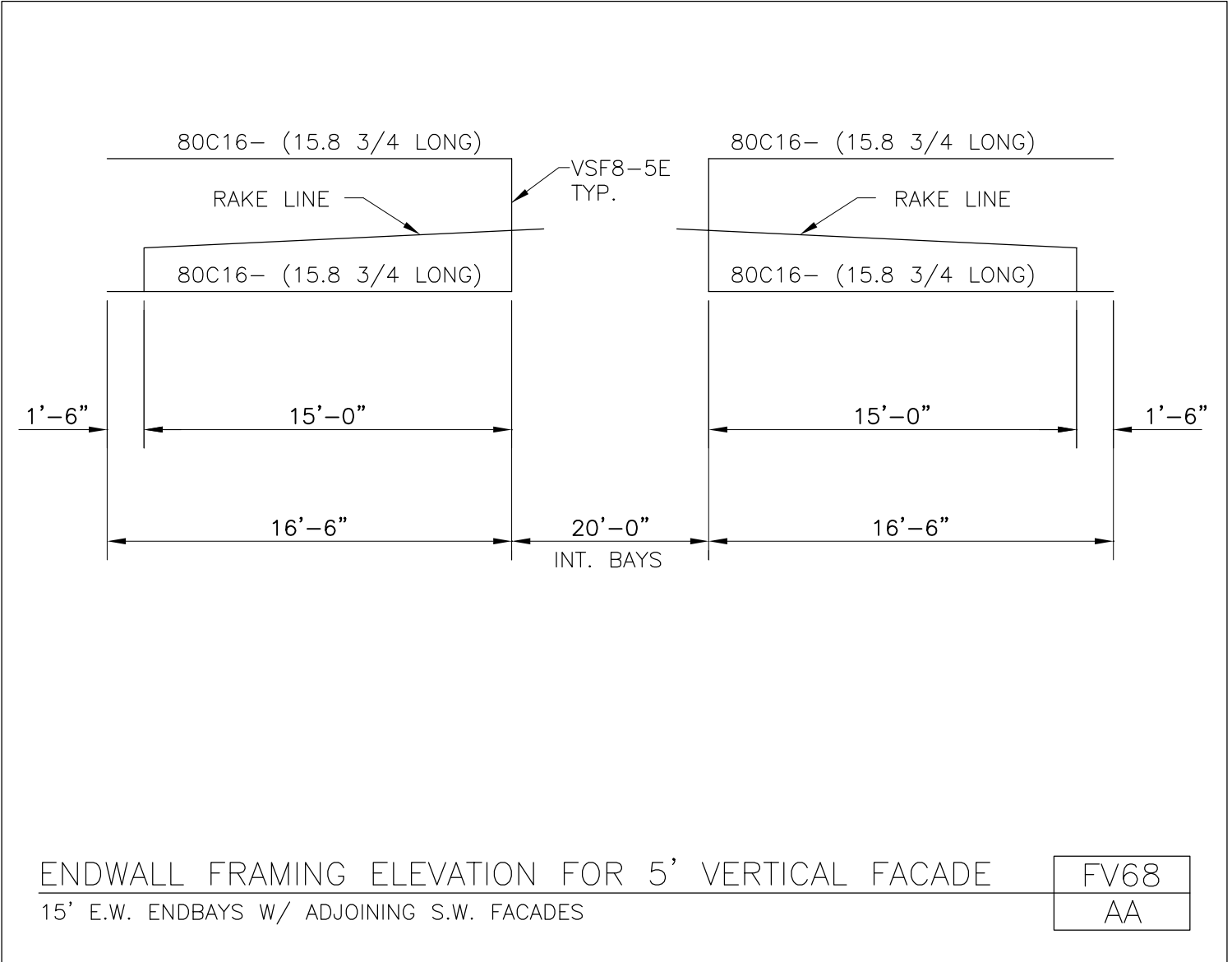
Endwall Framing Elevation For 5' Vertical Facade  
10' E.W. Endbays w/ Adjoining S.W. Facades  
FV67/AA



[Download the DWG file by clicking here.](#)

[To Section Index](#)

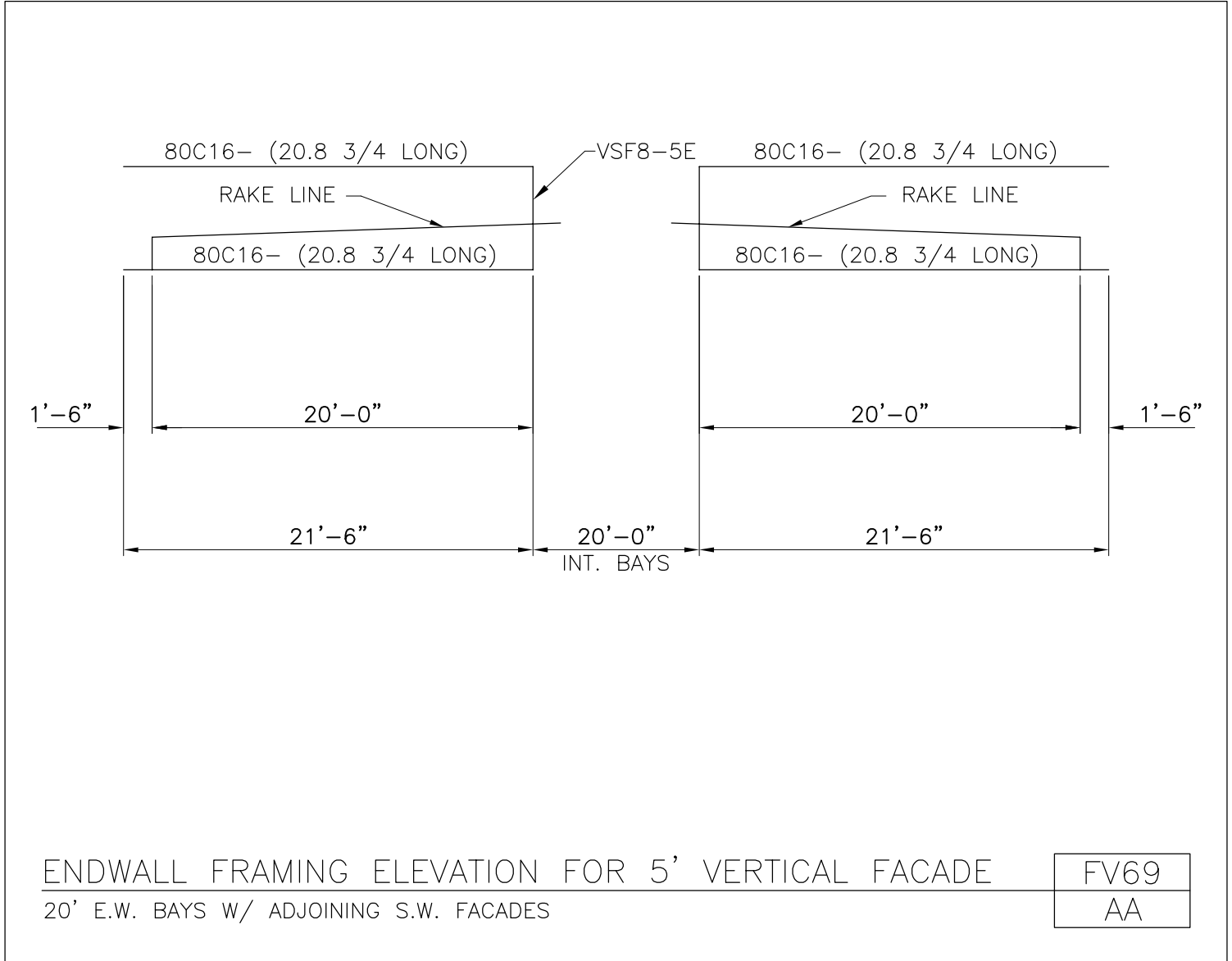
Endwall Framing Elevation For 5' Vertical Facade  
15' E.W. Endbays w/ Adjoining S.W. Facades  
FV68/AA



[Download the DWG file by clicking here.](#)

[To Section Index](#)

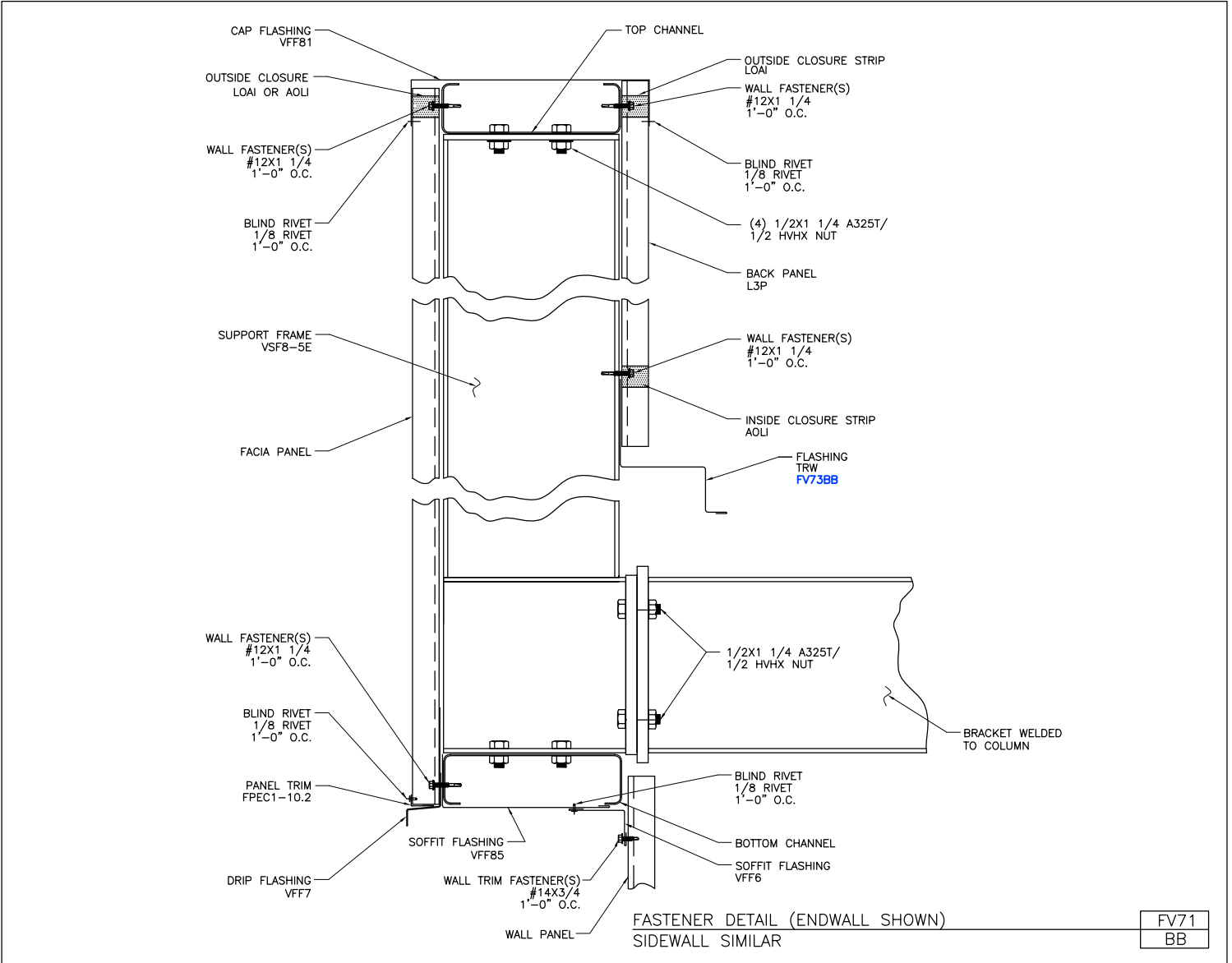
Endwall Framing Elevation For 5' Vertical Facade  
20' E.W. Bays w/ Adjoining S.W. Facades  
FV69/AA



[Download the DWG file by clicking here.](#)

[To Section Index](#)

Fastener Detail (Endwall Shown)  
Sidewall Similar  
FV71/BB

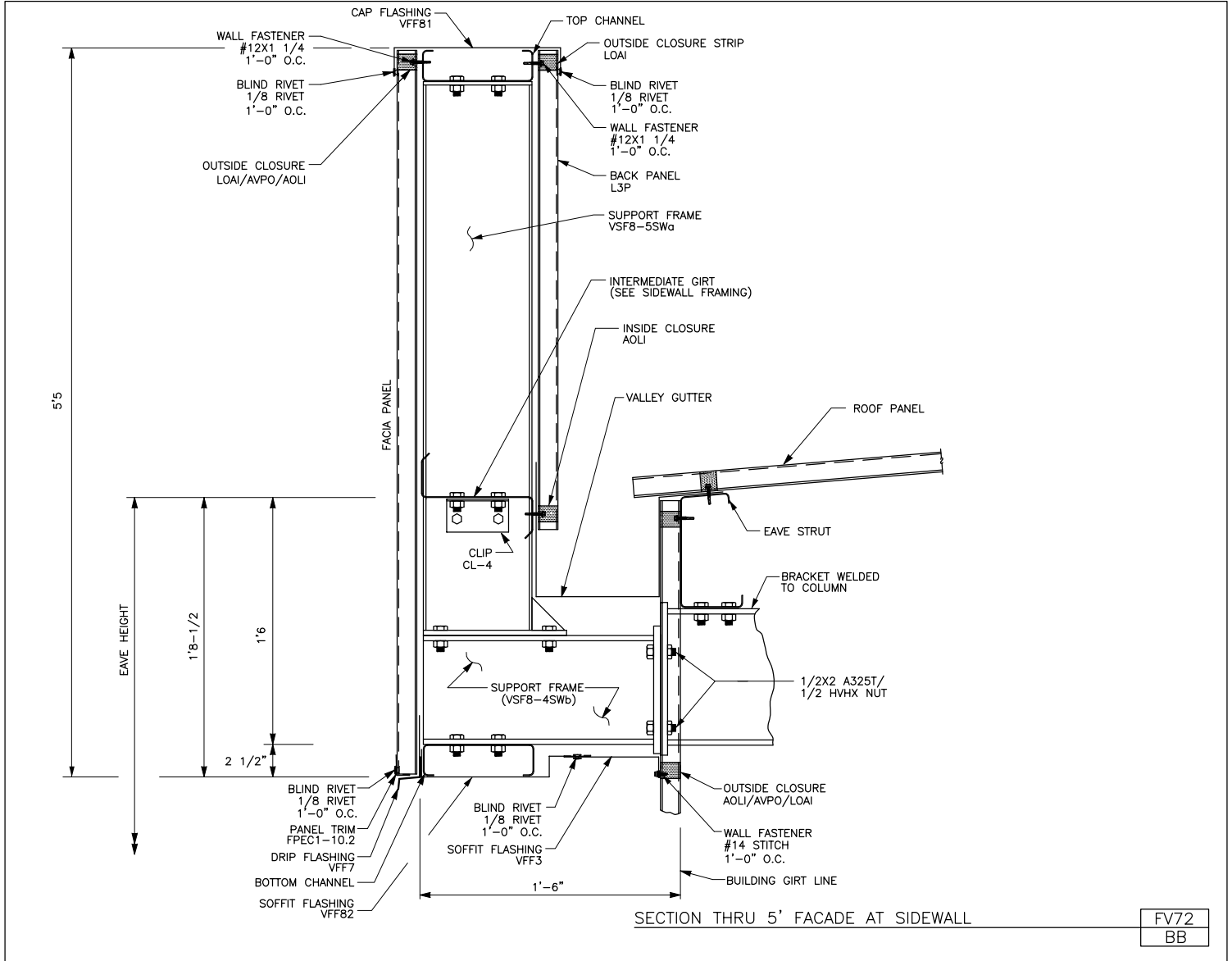


[Download the DWG file by clicking here.](#)



Section Thru 5' Facade at Sidewall

FV72/BB



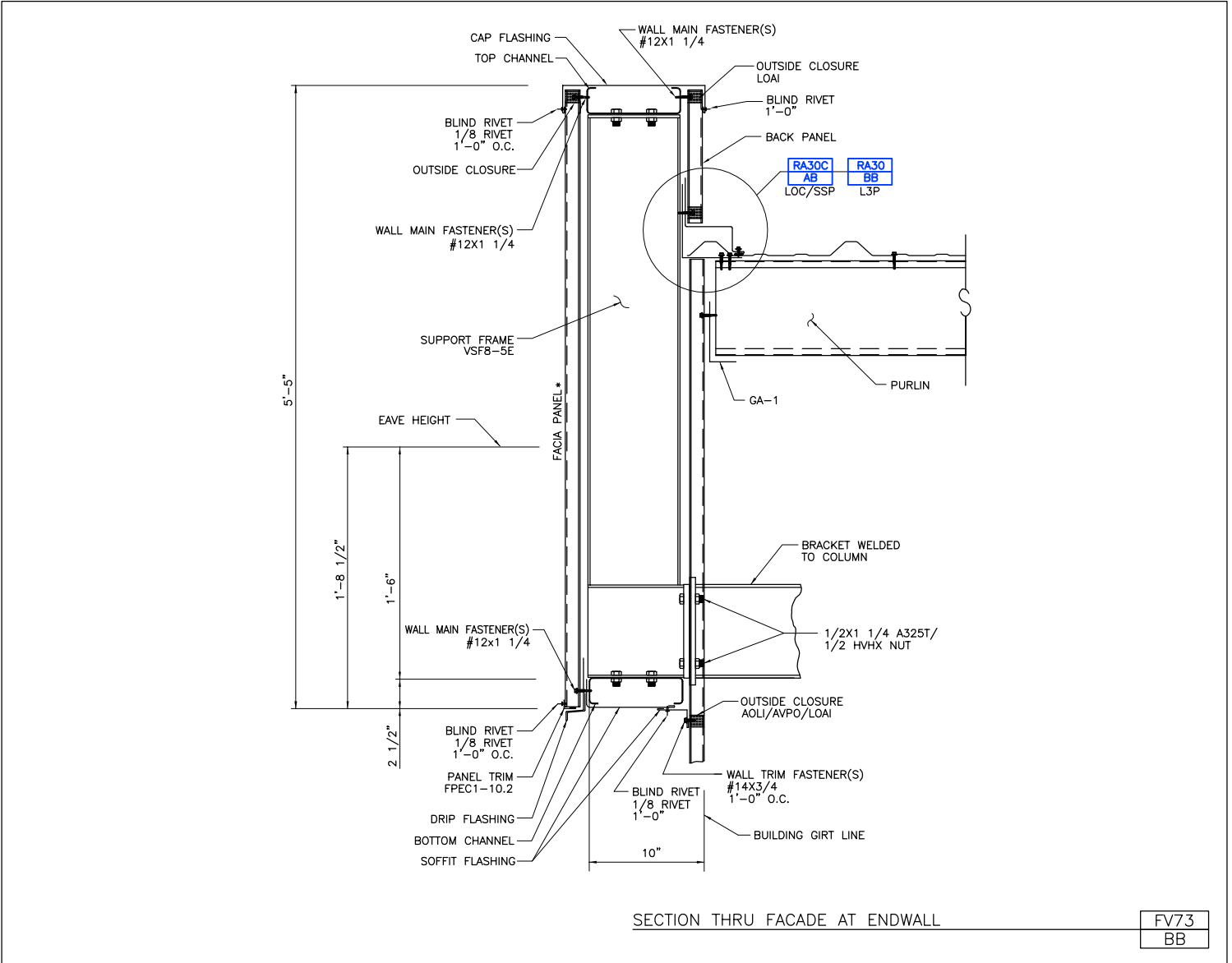
FV72  
BB

[Download the DWG file by clicking here.](#)

[To Section Index](#)

Section Thru Facade at Endwall

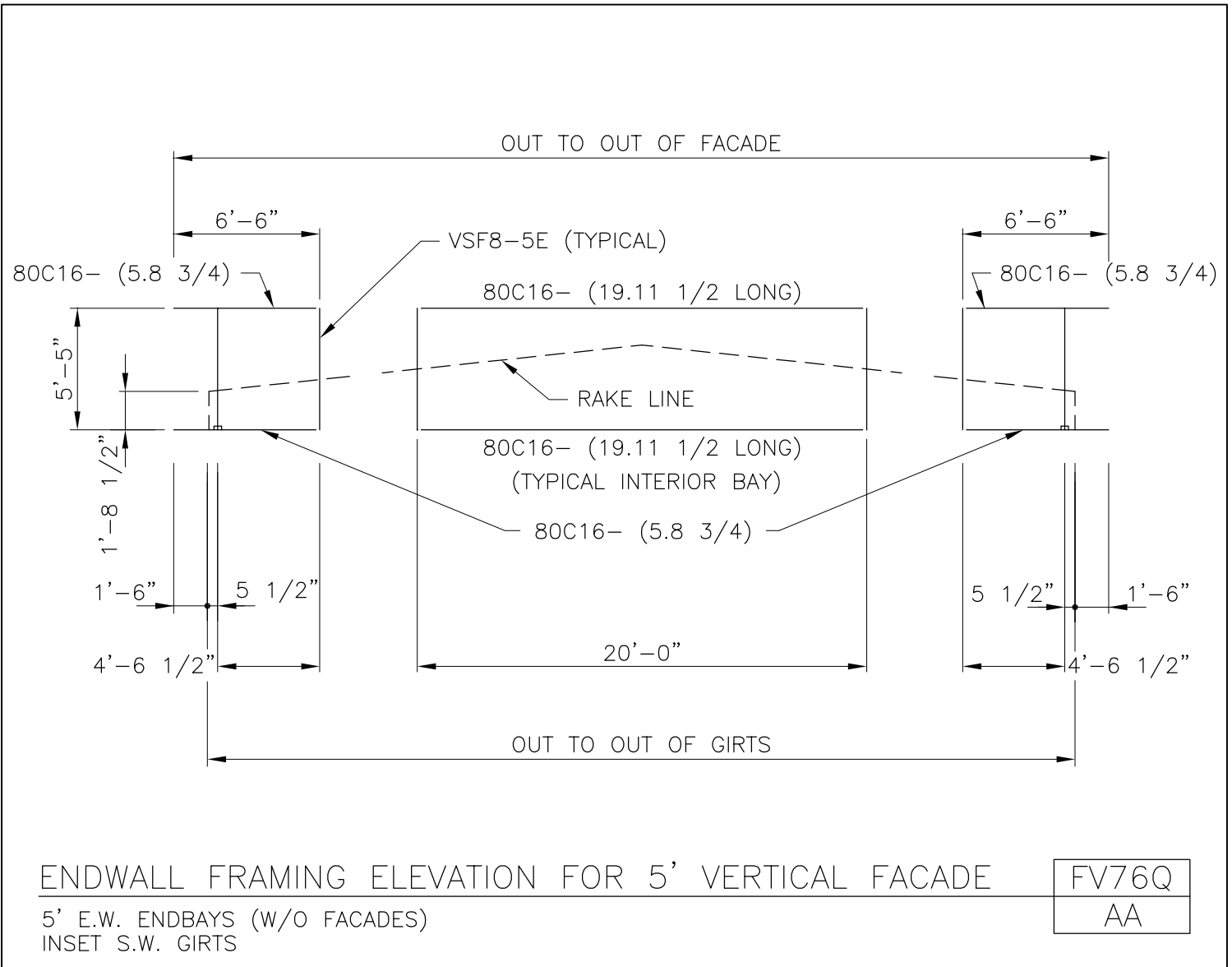
FV73/BB



[Download the DWG file by clicking here.](#)

[To Section Index](#)

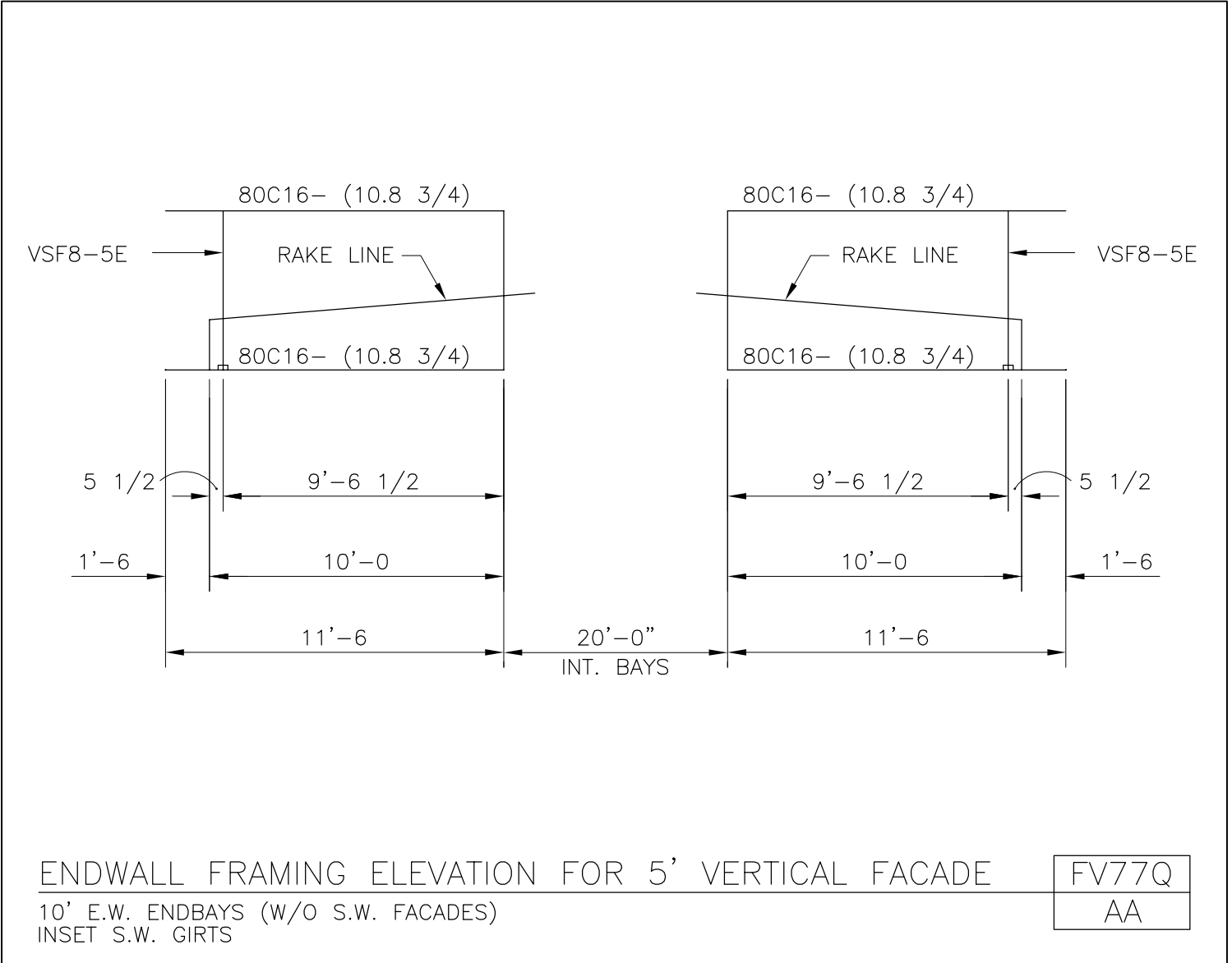
Endwall Framing Elevation For 5' Vertical Facade  
5' E.W. Endbays (w/o Facades) Inset S.W. Girts  
FV76Q/AA



[Download the DWG file by clicking here.](#)

[To Section Index](#)

Endwall Framing Elevation For 5' Vertical Facade  
10' E.W. Endbays (w/o S.W. Facades) Inset S.W. Girts  
FV77Q/AA



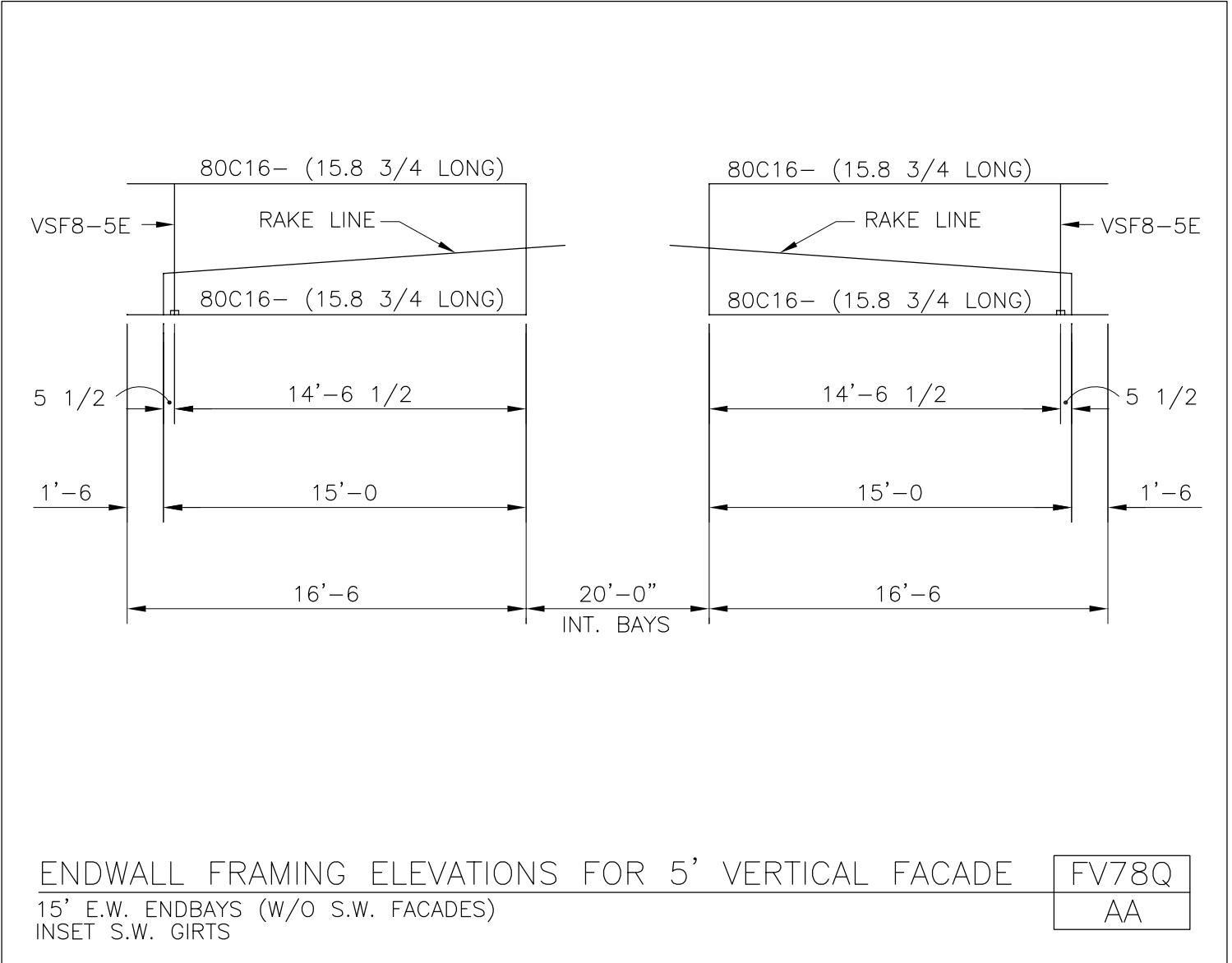
[Download the DWG file by clicking here.](#)

[To Section Index](#)



A **NUCOR** COMPANY

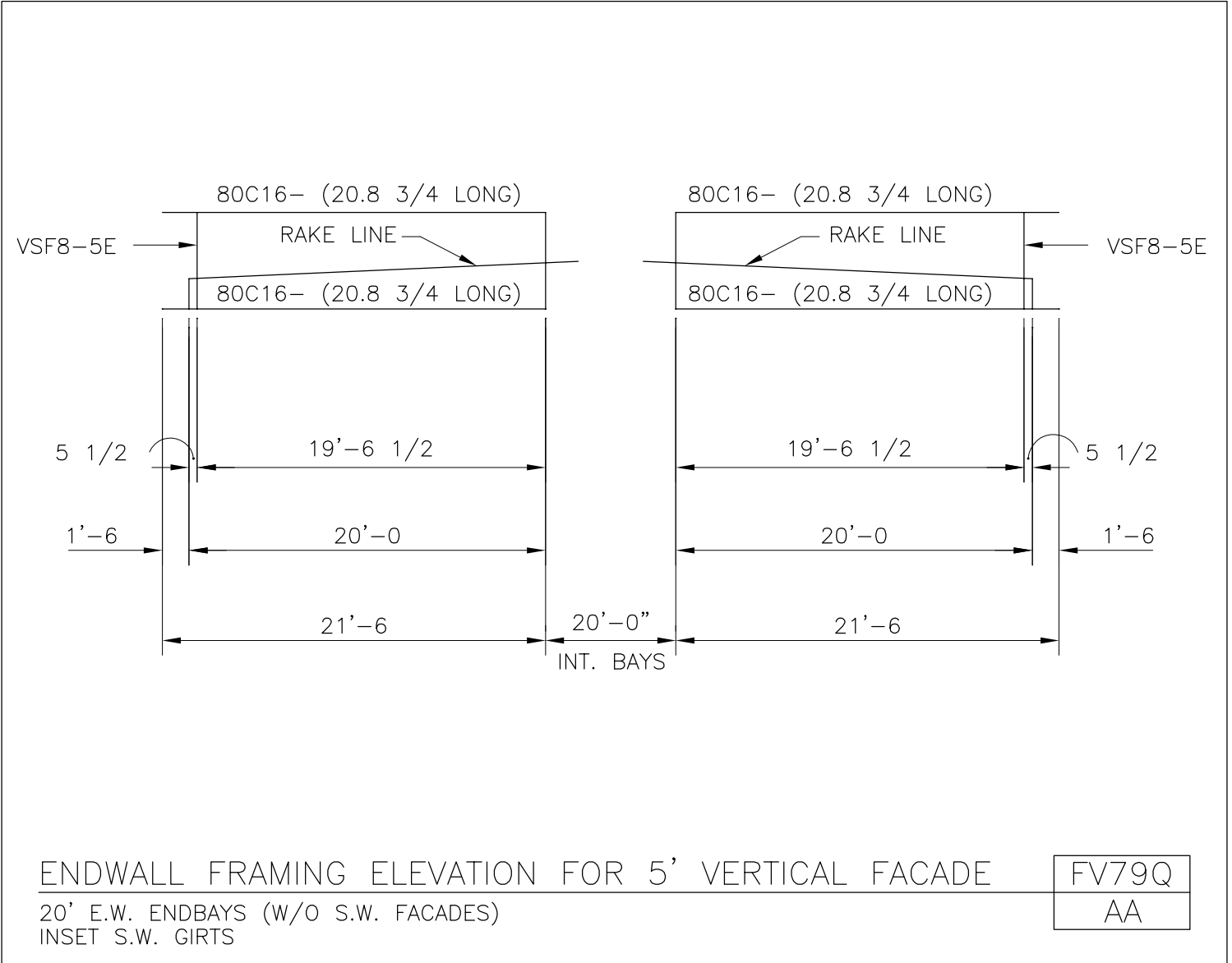
Endwall Framing Elevation For 5' Vertical Facade  
15' E.W. Endbays (w/o S.W. Facades) Inset S.W. Girts  
FV78Q/AA



[Download the DWG file by clicking here.](#)

[To Section Index](#)

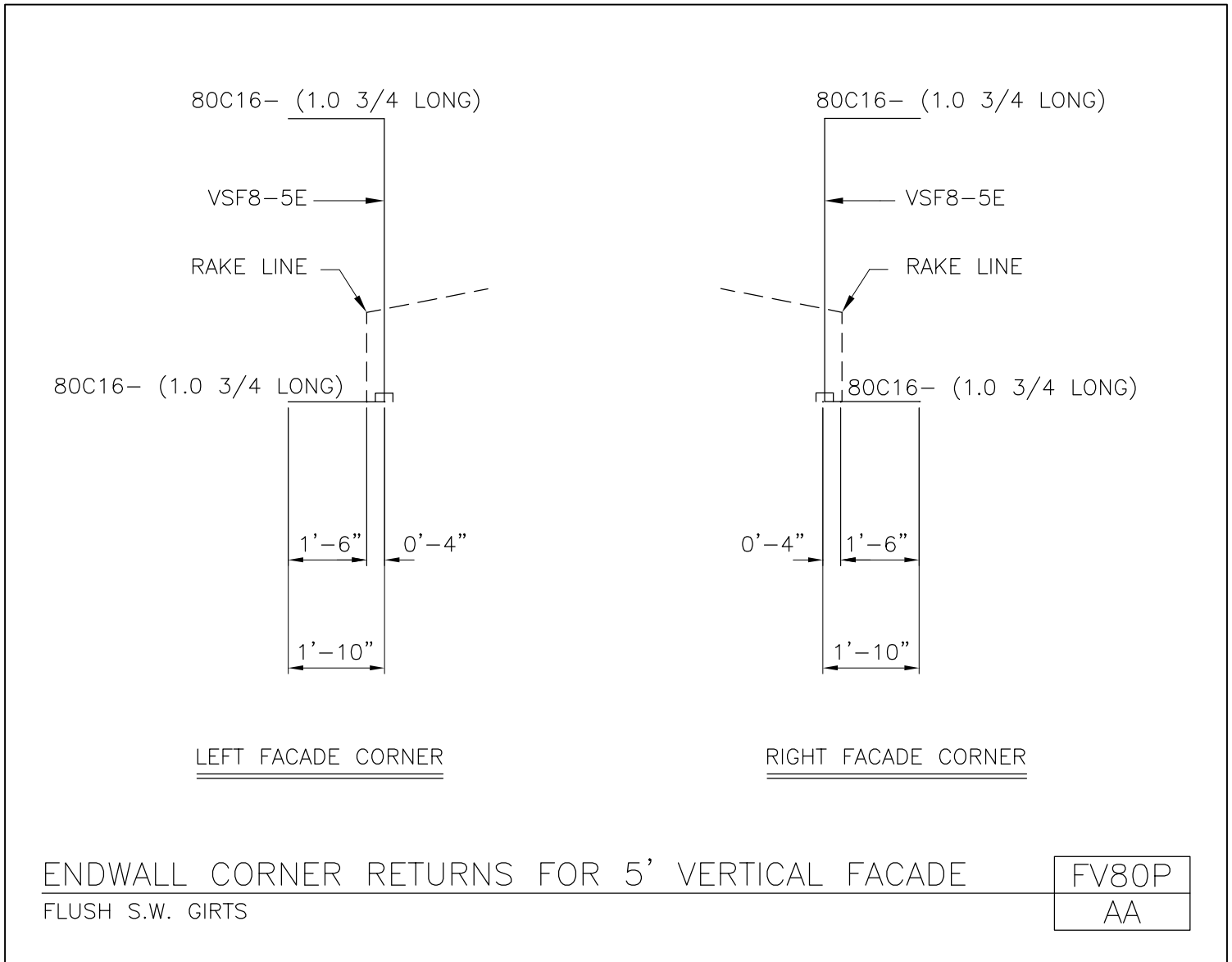
Endwall Framing Elevation For 5' Vertical Facade  
20' E.W. Endbays (w/o S.W. Facades) Inset S.W. Girts  
FV79Q/AA



[Download the DWG file by clicking here.](#)

[To Section Index](#)

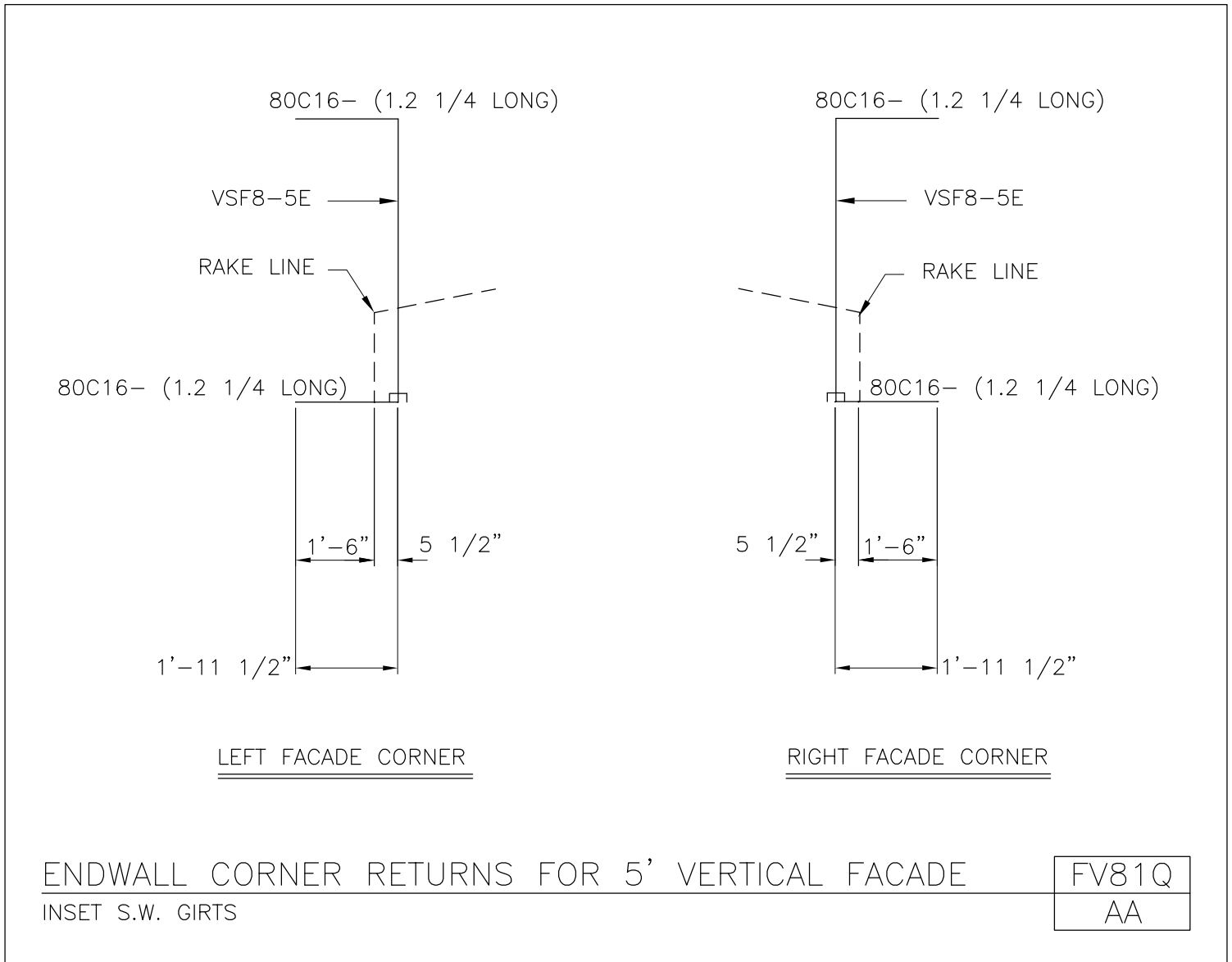
Endwall Corner Returns For 5' Vertical Facade  
Flush S.W. Girts  
FV80P/AA



[Download the DWG file by clicking here.](#)

[To Section Index](#)

Endwall Corner Returns For 5' Vertical Facade  
Inset S.W. Girts  
FV81Q/AA

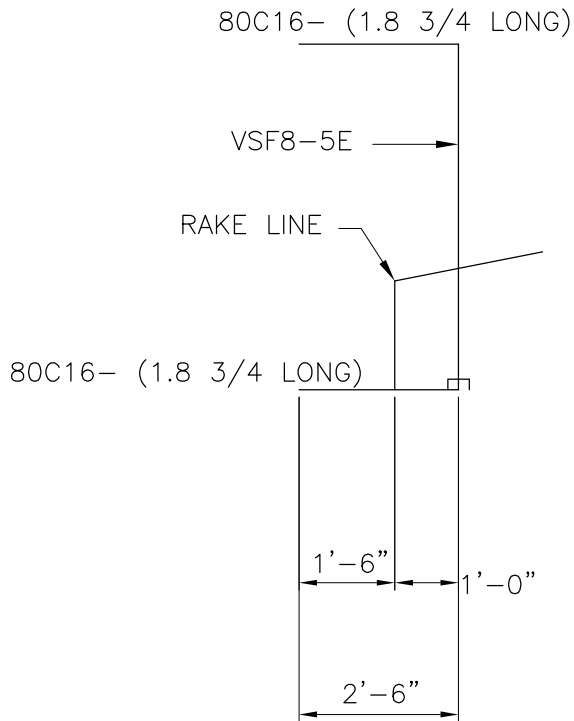


[Download the DWG file by clicking here.](#)

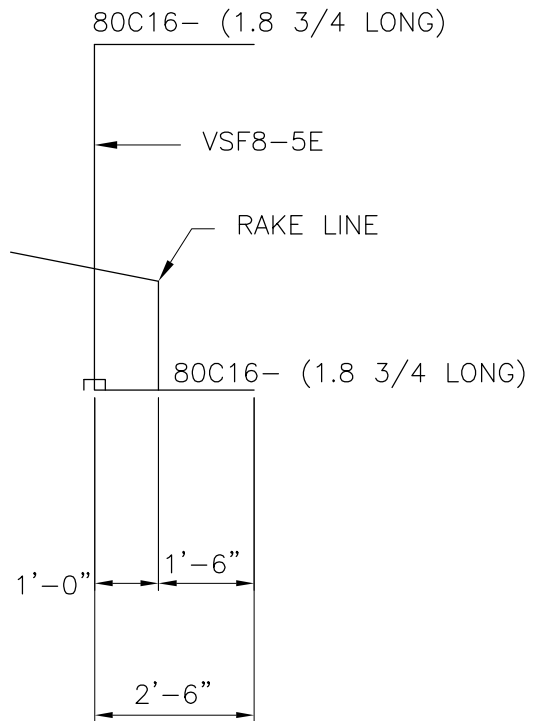
[To Section Index](#)



Endwall Corner Returns For 5' Vertical Facade  
8" Bypass S.W. Girts  
FV82M/AA



LEFT FACADE CORNER



RIGHT FACADE CORNER

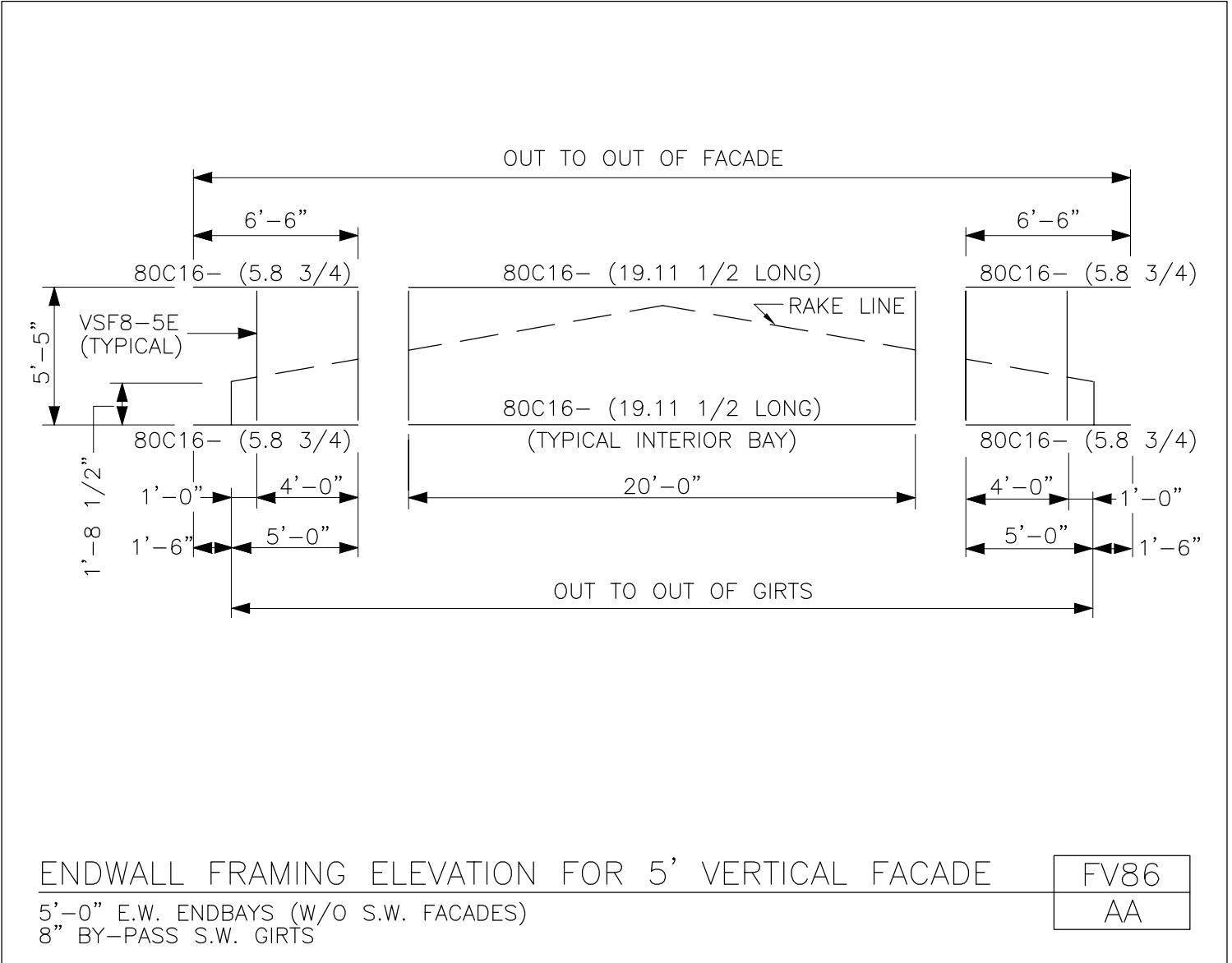
ENDWALL CORNER RETURNS FOR 5' VERTICAL FACADE  
8" BYPASS S.W. GIRTS

FV82M
AA

[Download the DWG file by clicking here.](#)

[To Section Index](#)

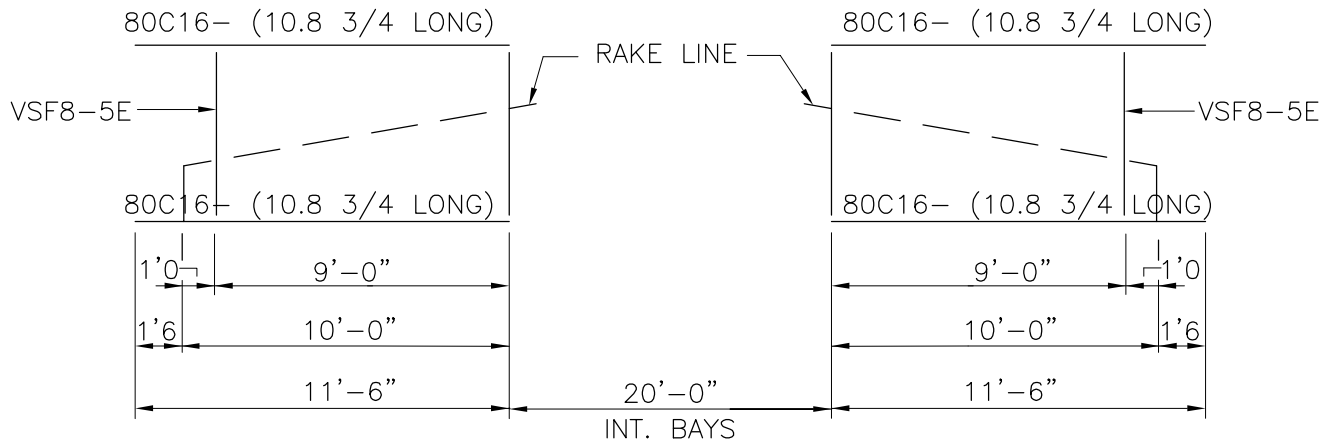
Endwall Framing Elevation For 5' Vertical Facade  
 5'-0" E.W. Endbays (w/o S.W. Facades) 8" Bypass S.W. Girts  
 FV86/AA



[Download the DWG file by clicking here.](#)

[To Section Index](#)

Endwall Framing Elevation For 5' Vertical Facade  
 10' E.W. Endbays (w/o S.W. Facades) 8" Bypass S.W. Girts  
 FV87M/AA



ENDWALL FRAMING ELEVATION FOR 5' VERTICAL FACADE

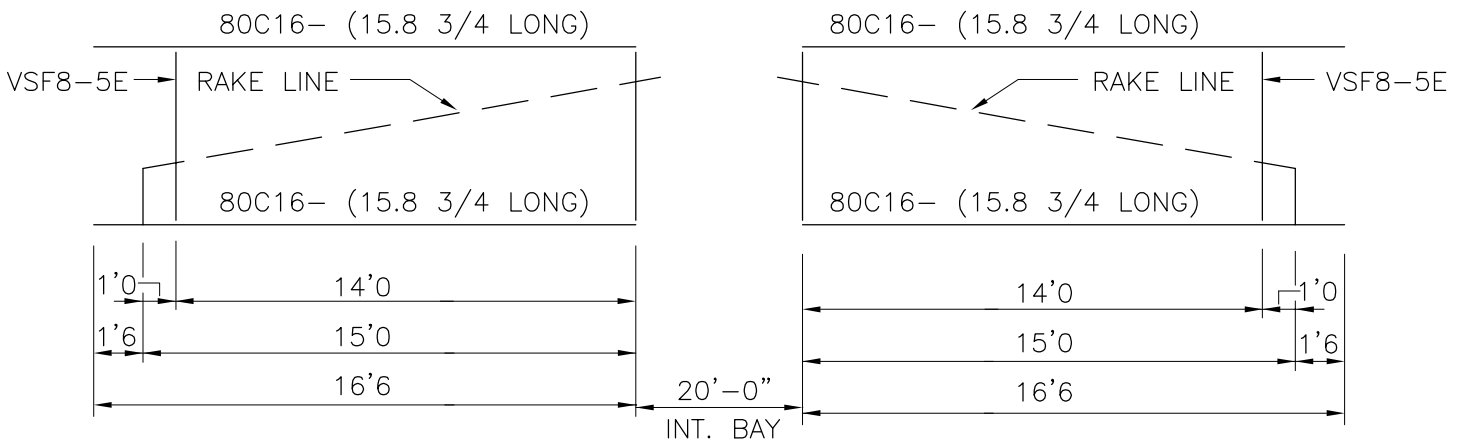
10' E.W. ENDBAYS (W/O S.W. FACADES)  
 8" BY-PASS S.W. GIRTS

FV87M
AA

[Download the DWG file by clicking here.](#)

[To Section Index](#)

Endwall Framing Elevation For 5' Vertical Facade  
15' E.W. Endbays (w/o S.W. Facades) 8" Bypass S.W. Girts  
FV88M/AA



ENDWALL FRAMING ELEVATION FOR 5' VERTICAL FACADE

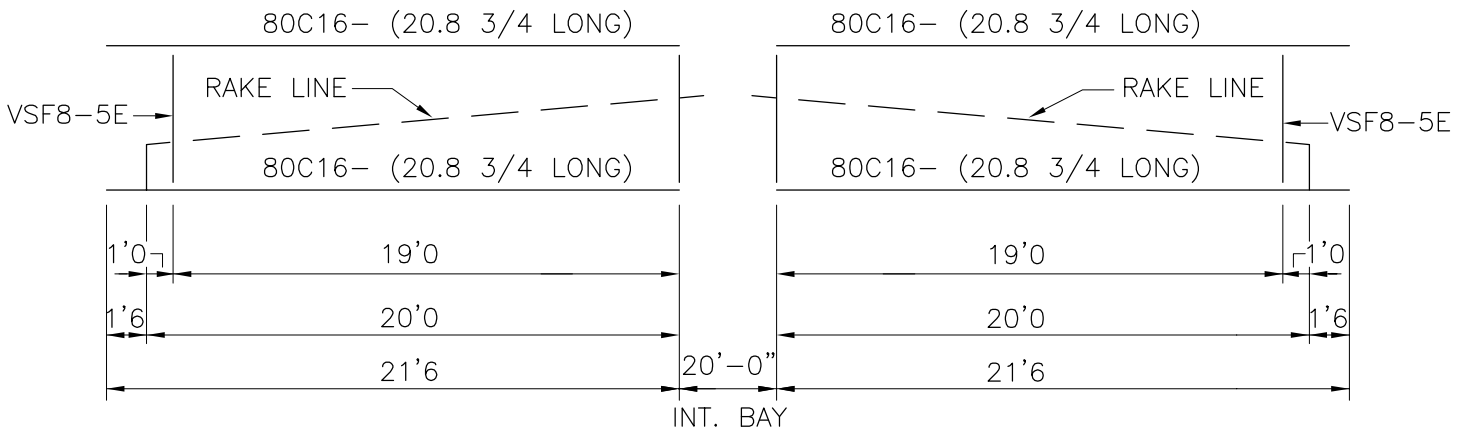
15' E.W. ENDBAYS (W/O S.W. FACADES)  
8" BY-PASS S.W. GIRTS

FV88M
AA

[Download the DWG file by clicking here.](#)

[To Section Index](#)

Endwall Framing Elevation For 5' Vertical Facade  
20' E.W. Endbays (w/o S.W. Facades) 8" Bypass S.W. Girts  
FV89M/AA



ENDWALL FRAMING ELEVATION FOR 5' VERTICAL FACADE

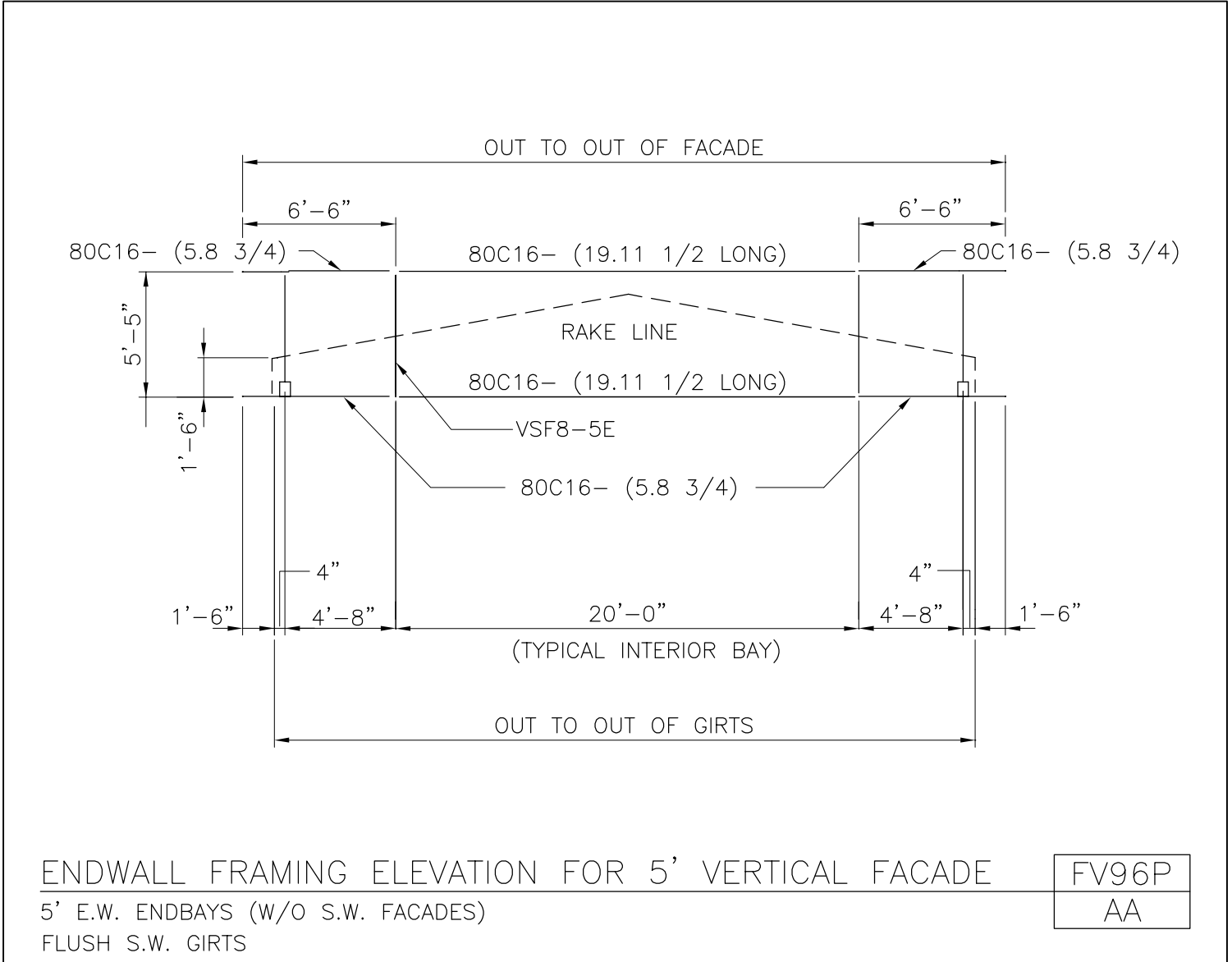
20' E.W. ENDBAYS (W/O S.W. FACADES)  
8" BY-PASS S.W. GIRTS

FV89M
AA

[Download the DWG file by clicking here.](#)

[To Section Index](#)

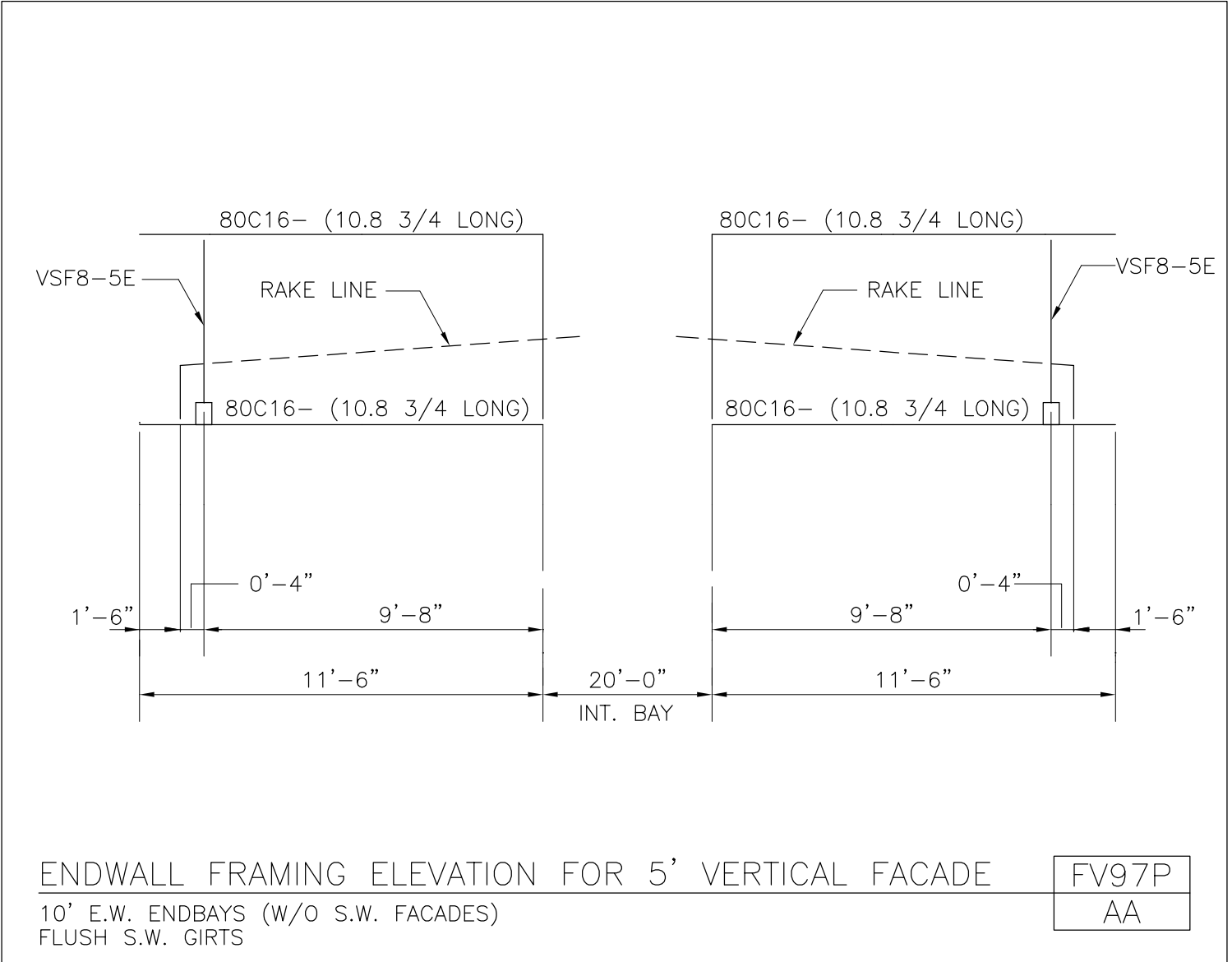
Endwall Framing Elevation For 5' Vertical Facade  
5' E.W. Endbays (w/o S.W. Facades) Flush S.W. Girts  
FV96P/AA



[Download the DWG file by clicking here.](#)

[To Section Index](#)

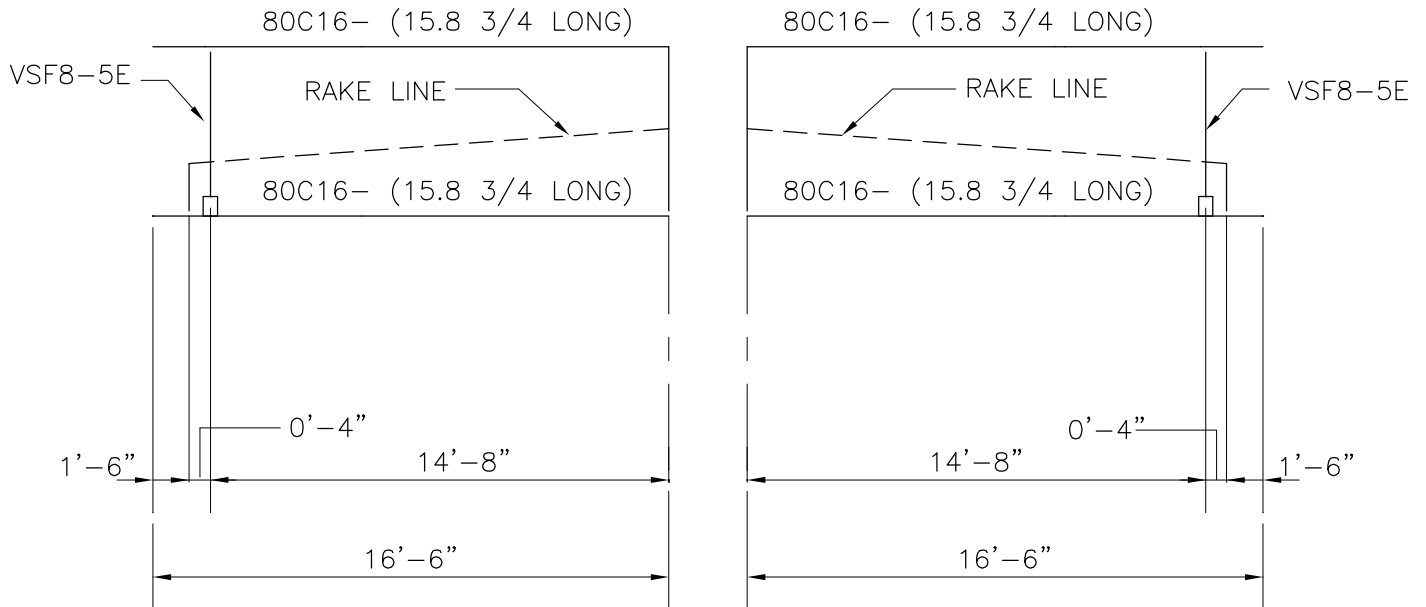
Endwall Framing Elevation For 5' Vertical Facade  
10' E.W. Endbays (w/o S.W. Facades) Flush S.W. Girts  
FV97P/AA



[Download the DWG file by clicking here.](#)

[To Section Index](#)

Endwall Framing Elevation For 5' Vertical Facade  
15' E.W. Endbays (w/o S.W. Facades) Flush S.W. Girts  
FV98P/AA



ENDWALL FRAMING ELEVATION FOR 5' VERTICAL FACADE

15' E.W. ENDBAYS (W/O S.W. FACADES)  
FLUSH S.W. GIRTS

FV98P
AA

[Download the DWG file by clicking here.](#)

[To Section Index](#)





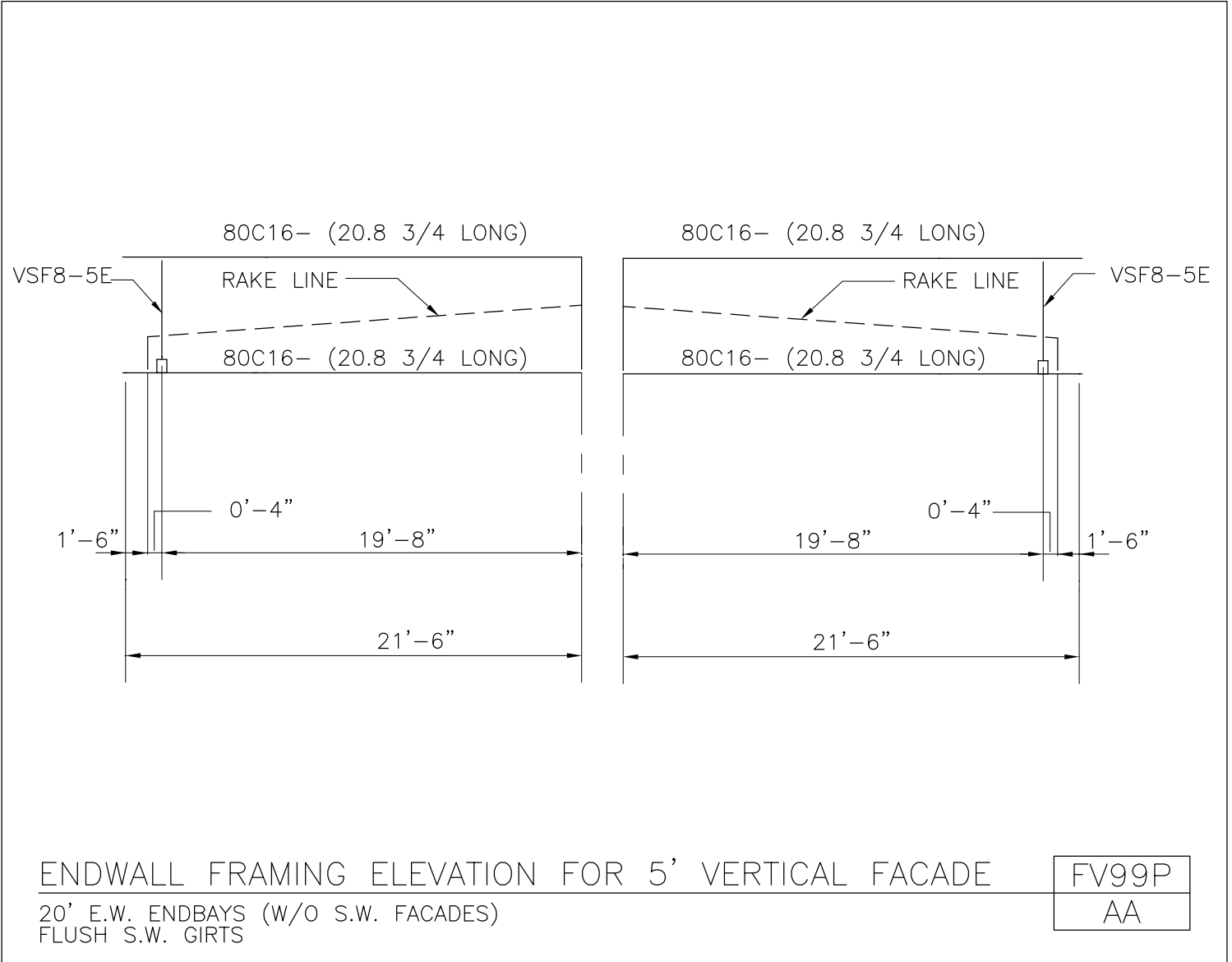
**AMERICAN  
BUILDINGS**

A **NUCOR** COMPANY

# PRODUCT MANUAL

FACADE DETAILS

Endwall Framing Elevation For 5' Vertical Facade  
20' E.W. Endbays (w/o S.W. Facades) Flush S.W. Girts  
FV99P/AA



[Download the DWG file by clicking here.](#)

[To Section Index](#)