

RAKE DETAILS

FE2010-ABC - RAKE DETAIL w WALL PANELS

FE2015-ABC - RAKE DETAIL w ROOF JOIST & WALL PANELS

FE2050-ABC - OPEN RAKE DETAIL w WALL CONSTRUCTION BY OTHERS

FE2055-ABC - STARTING RAKE DETAIL w JOIST & WALL SYSTEM BY OTHERS

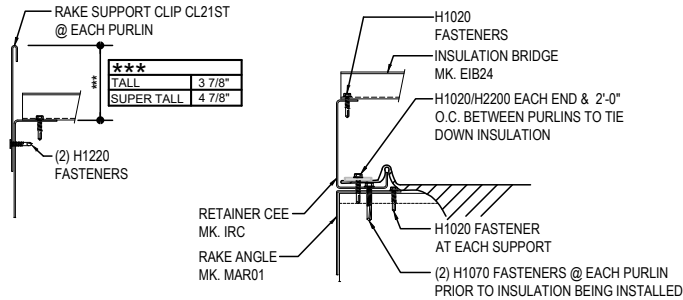
FE2610-ABC - STARTING RAKE DETAIL w INSULATED WALL SYSTEM

FE2615-ABC - RAKE DETAIL w ROOF JOIST & INSULATED WALL SYSTEM

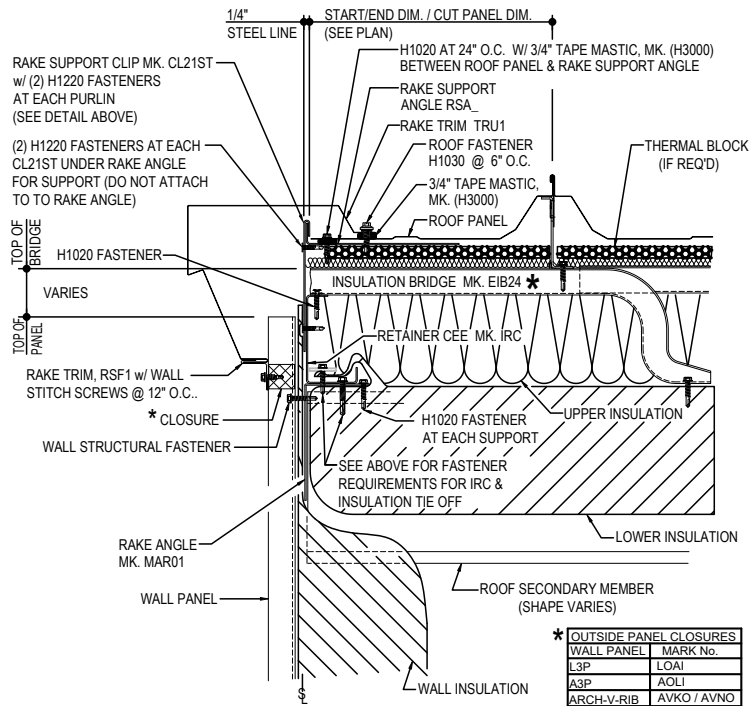
FE2010 - RAKE DETAIL w/ WALL PANELS

[Download the DWG file by clicking here.](#)

ERECTOR NOTE: *
STARTING RAKE CONDITION IS SHOWN. BRIDGE PREPARATION WILL VARY BETWEEN THE STARTING AND ENDING RAKES. SEE BRIDGE INSTALLATION DETAILS FOR SPECIFIC BRIDGE REQUIREMENTS.



ALT. CL21ST SUPPORT CLIP INSTALLATION DETAIL
USED WHEN WALL PANELS ARE INSTALLED FIRST



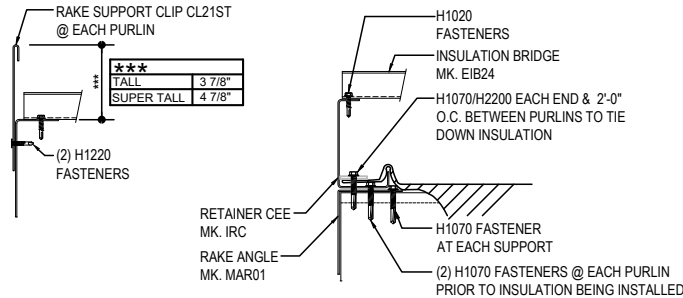
R-Boost™ RAKE DETAIL
RAKE DETAIL w/ STANDARD WALL PANELS

FE2010

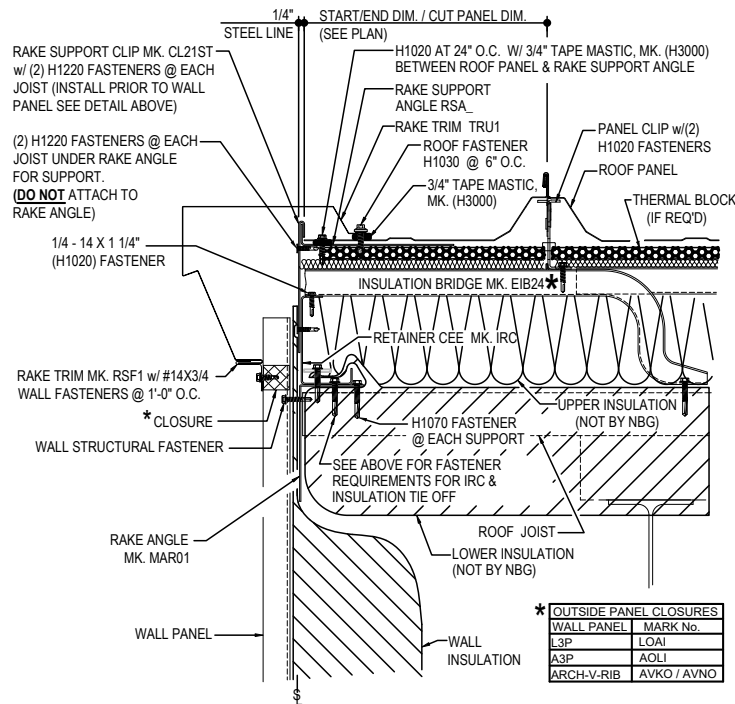
FE2015 - RAKE DETAIL w/ROOF JOIST & WALL PANELS

[Download the DWG file by clicking here.](#)

ERECTOR NOTE: *
STARTING RAKE CONDITION IS SHOWN. BRIDGE PREPERATION WILL VARY BETWEEN THE STARTING AND ENDING RAKES, SEE BRIDGE INSTALLATION DETAILS FOR SPECIFIC BRIDGE REQUIREMENTS.



ALT. CL21ST SUPPORT CLIP INSTALLATION DETAIL
USED WHEN WALL PANELS ARE INSTALLED FIRST



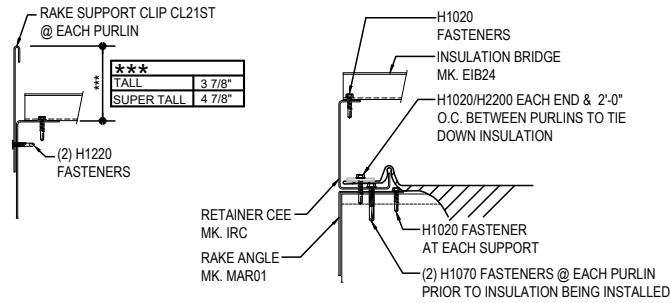
R-Boost™ RAKE DETAIL
RAKE DETAIL w/ ROOF JOIST AND STANDARD WALL PANELS

FE2015

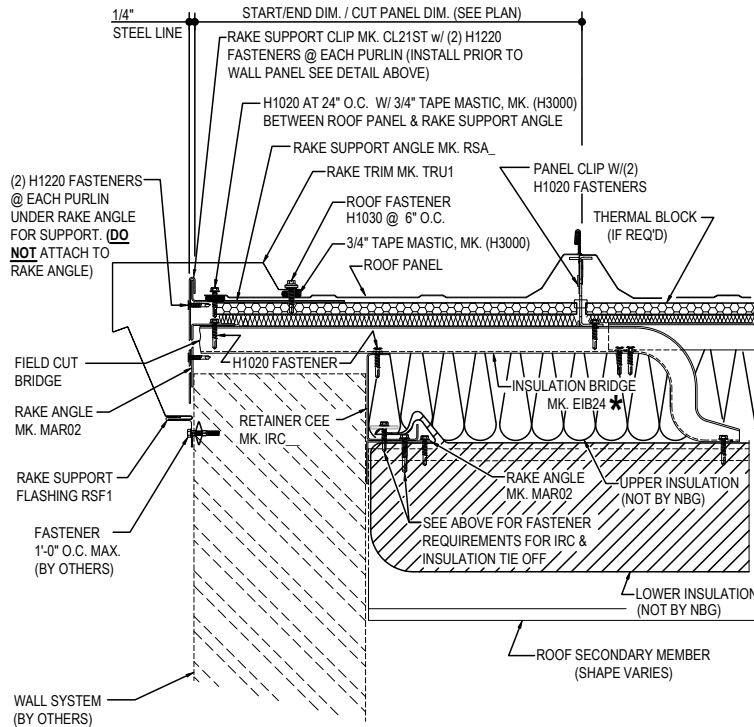
FE2050 - OPEN RAKE DETAIL w/ WALL CONSTRUCTION BY OTHERS

[Download the DWG file by clicking here.](#)

ERECTOR NOTE: *
STARTING RAKE CONDITON IS SHOWN. BRIDGE PREPERATION WILL VARY BETWEEN THE STARTING AND ENDING RAKES, SEE BRIDGE INSTALLATION DETAILS FOR SPECIFIC BRIDGE REQUIREMENTS.



ALT. CL21ST SUPPORT CLIP INSTALLATION DETAIL
USED WHEN WALL PANELS ARE INSTALLED FIRST



R-Boost™ OPEN RAKE DETAIL

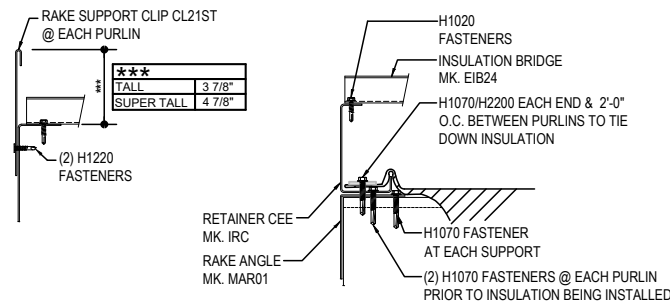
STARTING RAKE DETAIL, OPEN FOR WALL w/CONSTRUCTION BY OTHERS

FE2050

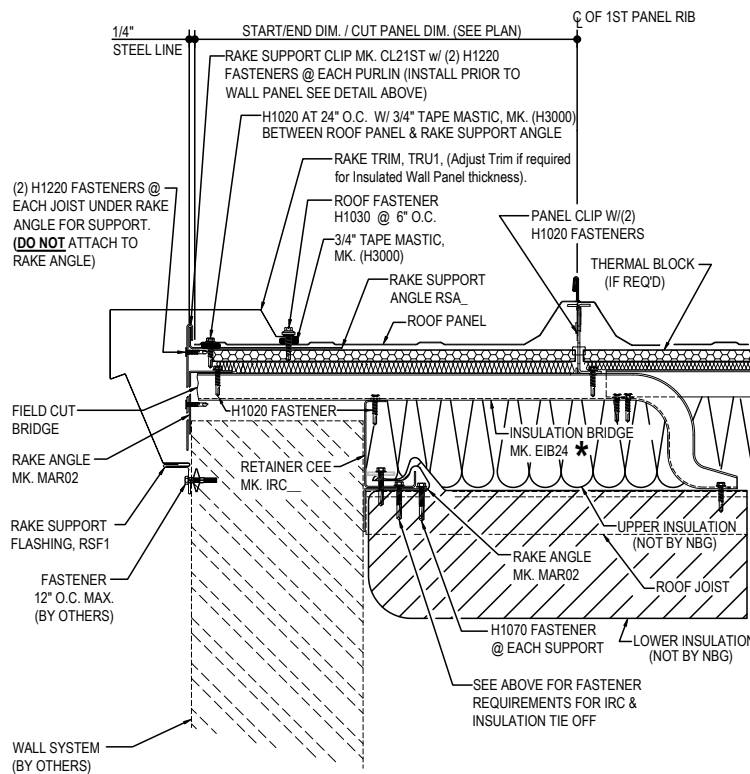
FE2055 - STARTING RAKE DETAIL w/ ROOF JOIST & WALL SYSTEM BY OTHERS

[Download the DWG file by clicking here.](#)

ERECTOR NOTE: *
STARTING RAKE CONDITION IS SHOWN. BRIDGE PREPARATION WILL VARY BETWEEN THE STARTING AND ENDING RAKES, SEE BRIDGE INSTALLATION DETAILS FOR SPECIFIC BRIDGE REQUIREMENTS.



ALT. CL21ST SUPPORT CLIP INSTALLATION DETAIL
USED WHEN WALL PANELS ARE INSTALLED FIRST



R-Boost™ OPEN WALL RAKE DETAIL

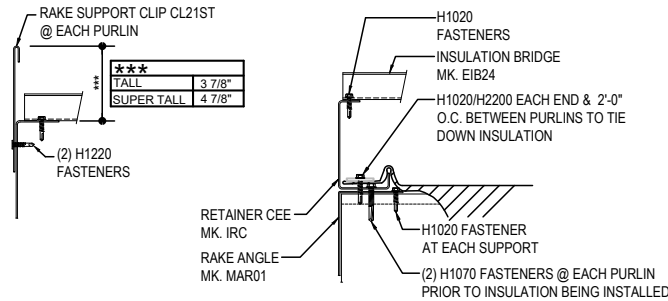
STARTING RAKE DETAIL w/ JOIST AND WALL OPEN FOR WALL SYSTEM BY OTHERS

FE2055

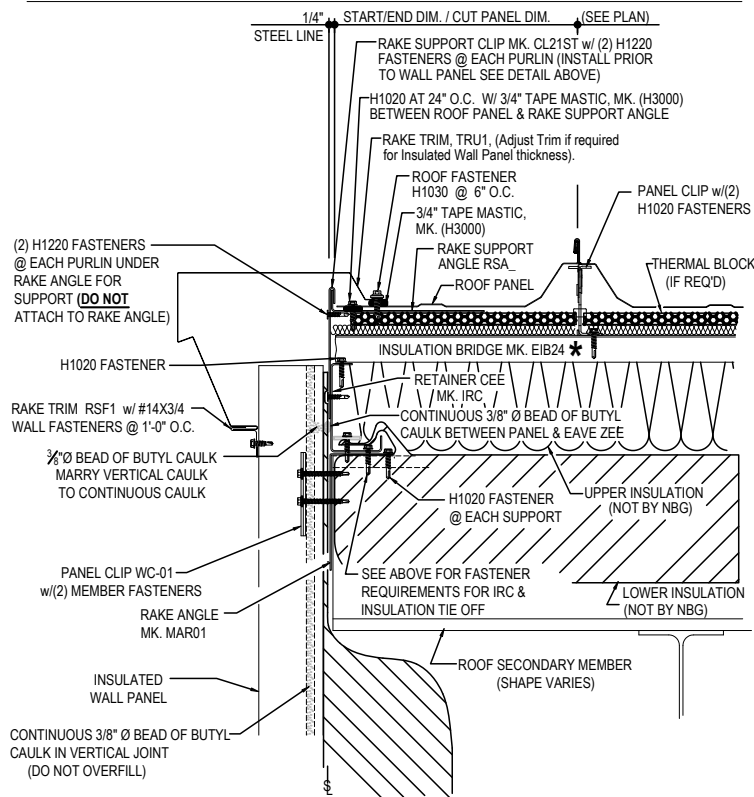
FE2610 - STARTING RAKE DETAIL w/ INSULATED WALL SYSTEM

[Download the DWG file by clicking here.](#)

ERECTOR NOTE: *
STARTING RAKE CONDITION IS SHOWN. BRIDGE PREPERATION WILL VARY BETWEEN THE STARTING AND ENDING RAKES, SEE BRIDGE INSTALLATION DETAILS FOR SPECIFIC BRIDGE REQUIREMENTS.



ALT. CL21ST SUPPORT CLIP INSTALLATION DETAIL
USED WHEN WALL PANELS ARE INSTALLED FIRST



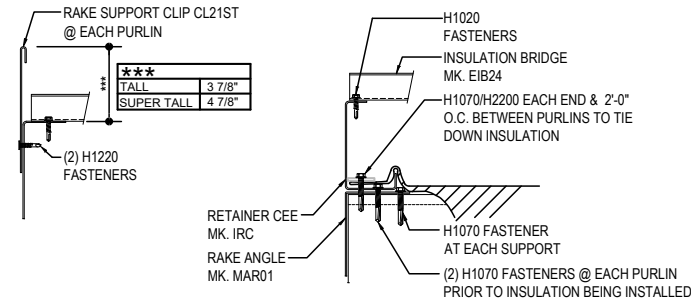
R-Boost™ RAKE DETAIL
RAKE DETAIL w/ INSULATED WALL PANELS

FE2610

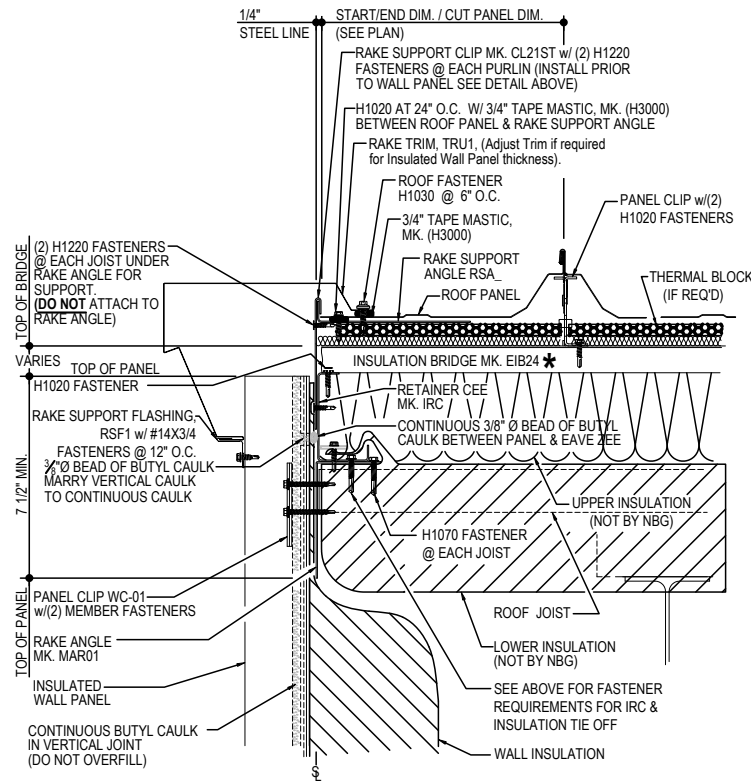
FE2615 - RAKE DETAIL w/ROOF JOIST & INSULATED WALL SYSTEM

[Download the DWG file by clicking here.](#)

ERECTOR NOTE: *
STARTING RAKE CONDITION IS SHOWN. BRIDGE PREPARATION WILL VARY BETWEEN THE STARTING AND ENDING RAKES, SEE BRIDGE INSTALLATION DETAILS FOR SPECIFIC BRIDGE REQUIREMENTS.



ALT. CL21ST SUPPORT CLIP INSTALLATION DETAIL
USED WHEN WALL PANELS ARE INSTALLED FIRST



R-Boost™ RAKE DETAIL
RAKE DETAIL w/ JOIST & INSULATED WALL PANEL

FE2615