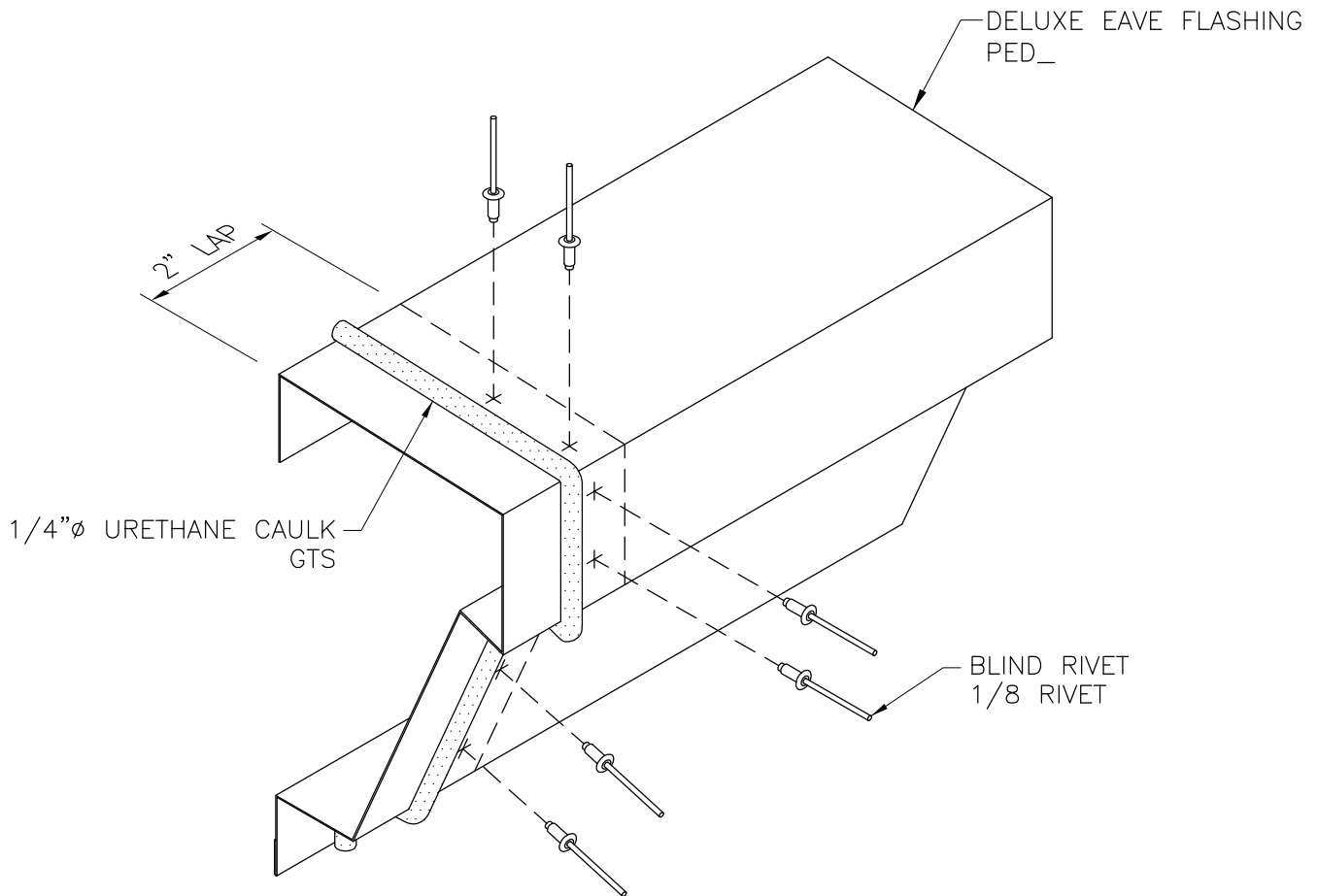


Flashing Laps

FL01/AA, Post Hung Deluxe Eave Flashing
FL02/AA, Universal Rake Flashing
FL03/BA, High Side Eave Flashing
FL03/GA, High Side Eave Flashing
FL03/SA, High Side Eave Flashing
FL04A/AU, Roof to Wall Flashing
FL05/AA, Universal Roof to Wall Flashing
FL06/AA, Flashing Laps and Transitions - General Requirements
FL07/AA, Valley Gutter Lap & Endcap Fastener Detail
FL07W/AA, Valley Gutter Flashing
FL08A/AB, Inside Corner Flashing
FL08A/AC, Inside Corner Flashing
FL08A/AW, Inside Corner Flashing
FL08/AB, Outside Corner Flashing
FL08/AC, Outside Corner Flashing
FL08/AW, Outside Corner Flashing
FL09/AA, Standard Gutter
FL09A/AA, Oversize Gutter
FL11/AA, Valley Flashing Lap Detail
FL12/GA, Cleated Rake Flashing
FL12/SA, Cleated Rake Flashing
FL13/GA, Cleated High Side Eave Flashing
FL13/SA, Cleated High Side Eave Flashing
FL14/AA, Eave Closure Flashing
FL15/AA, Special Roof to Wall Flashing
NP20/AA, Parapet Cap Flashing
RC33A/GA, Hip Trim Lap
RC33A/SA, Hip Trim Lap
RC33/GA, Expansion/Vented Ridge/Hip Flashing Lap
RC33/QR, Expansion Ridge/Hip Flashing
RC33/SA, Expansion/Vented Ridge/Hip Flashing Lap
RC35A/AA, Section Through Roof Flashing Lap
RC35W/AA, Exposed Roof Flashing Fastener Requirement
WFL08/AB, Outside Corner Flashing

Post Hung Deluxe Eave Flashing
Standard Flashing Lap
FL01/AA



POST HUNG DELUXE EAVE FLASHING
STANDARD FLASHING LAP

FL01
AA

[Download the DWG file by clicking here.](#)

[To Section Index](#)



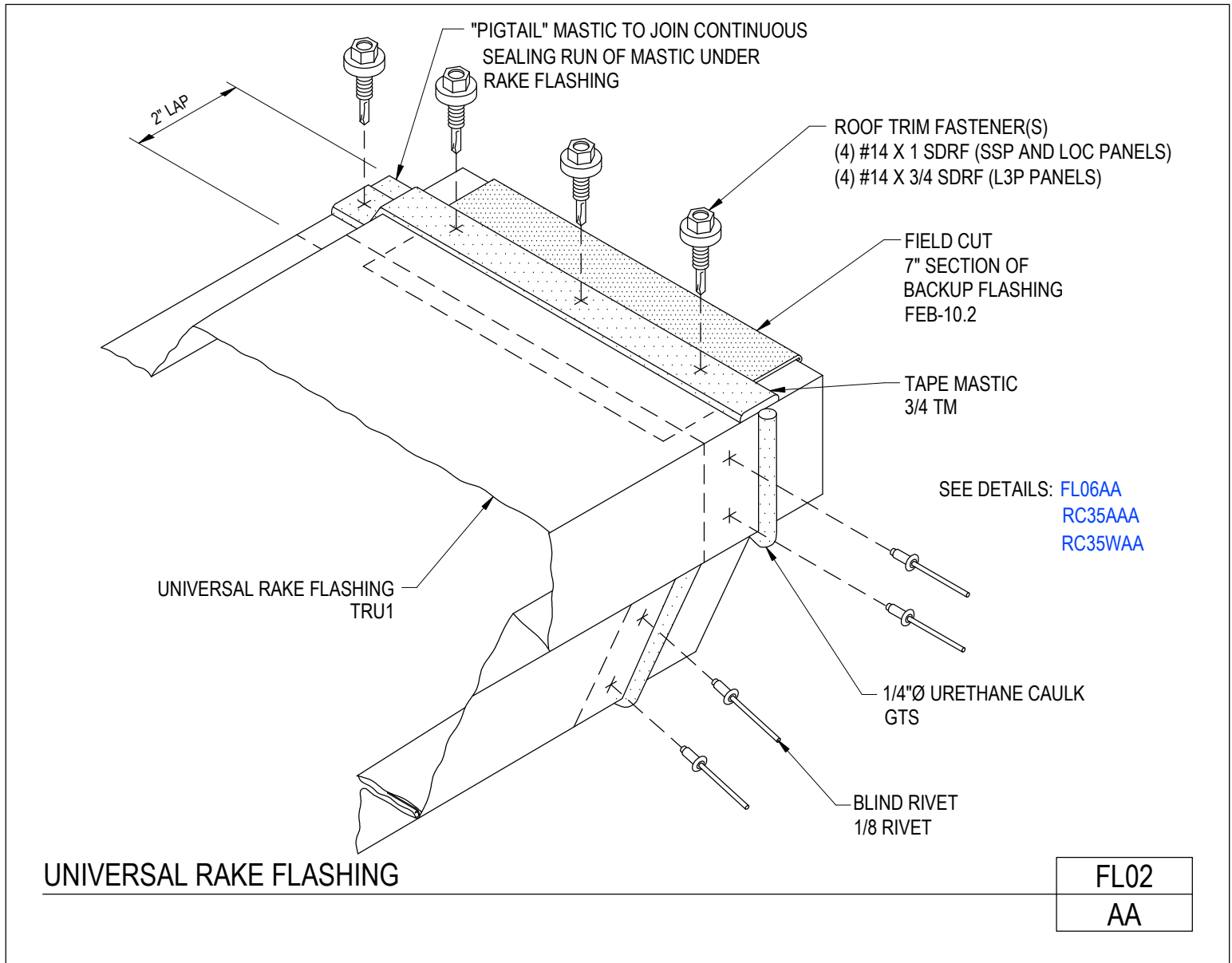
AMERICAN BUILDINGS

A NUCOR COMPANY

PRODUCT MANUAL

FLASHING LAPS

Universal Rake Flashing
All Roof Panels
FLO2/AA

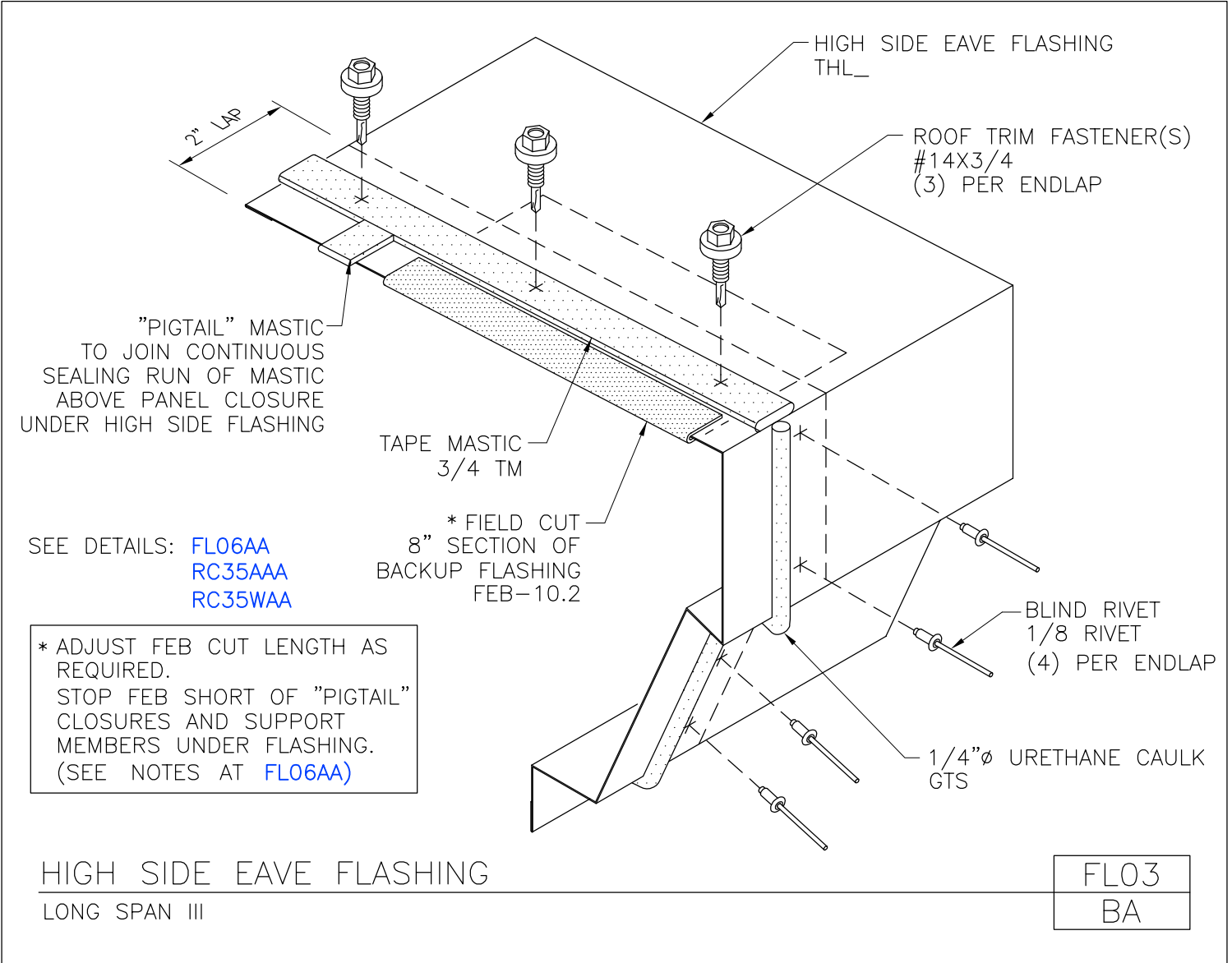


[Download the DWG file by clicking here.](#)

[To Section Index](#)

Revised 10/5/20

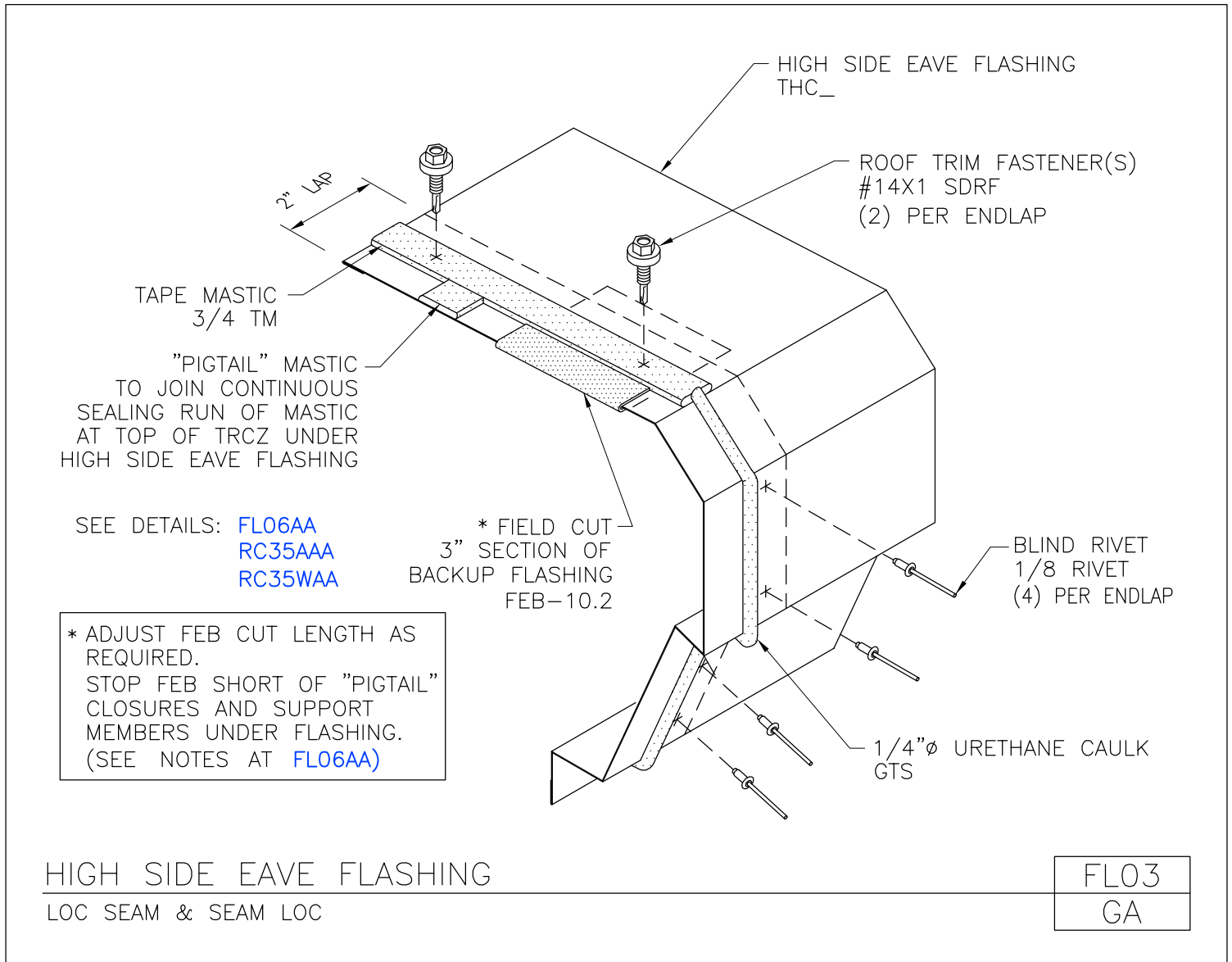
High Side Eave Flashing
Long Span III
FL03/BA



[Download the DWG file by clicking here.](#)

[To Section Index](#)

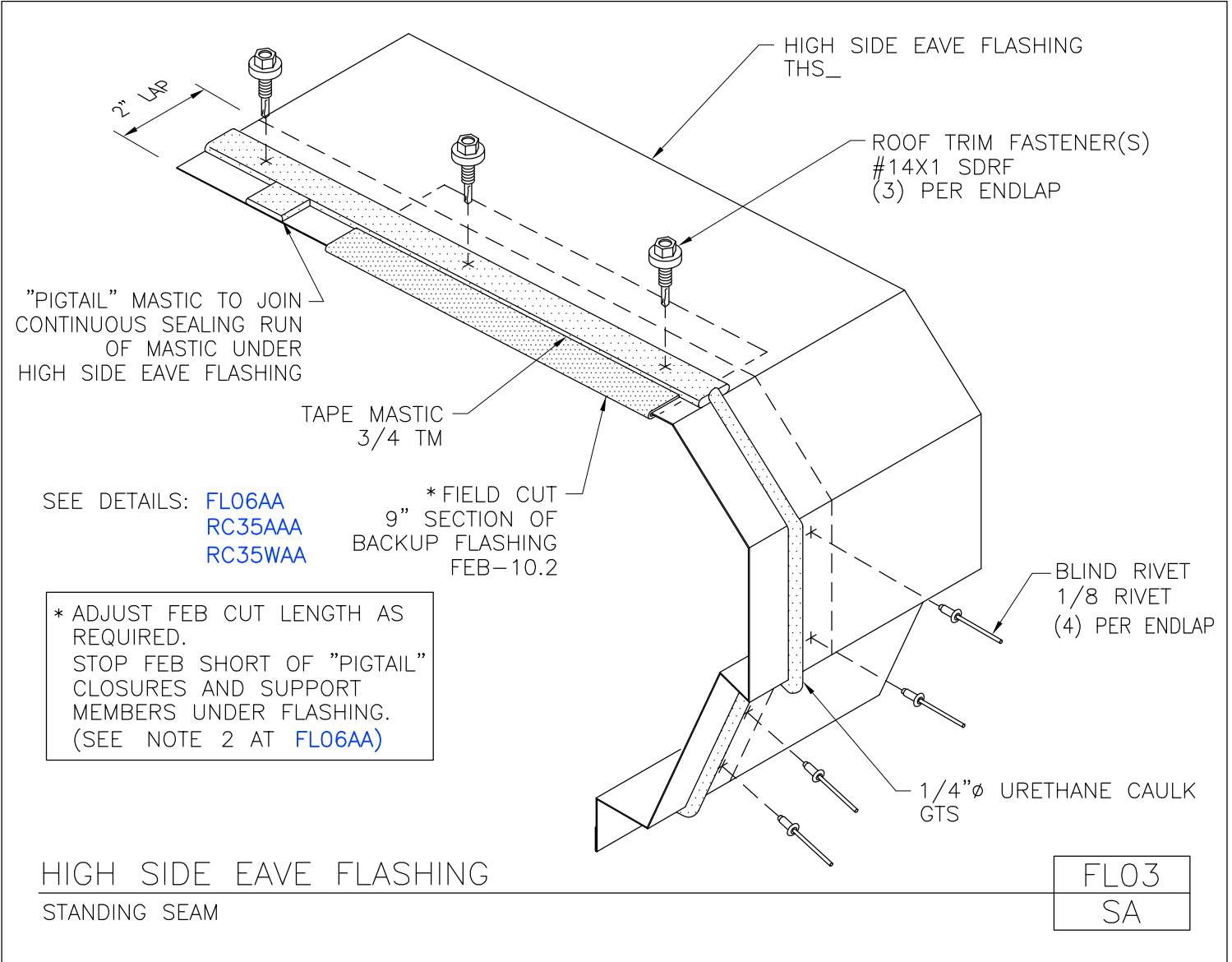
High Side Eave Flashing
Loc Seam Roof
FL03/GA



[Download the DWG file by clicking here.](#)

[To Section Index](#)

High Side Eave Flashing
Standing Seam
FL03/SA

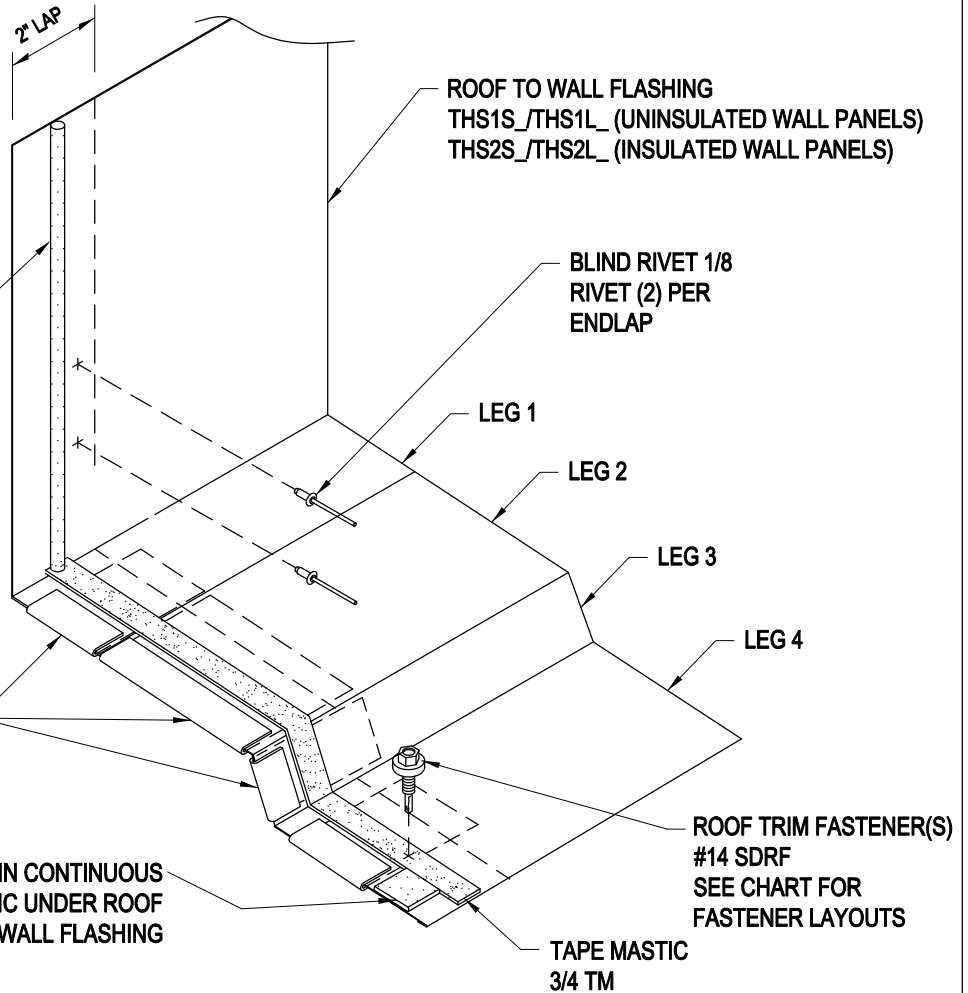


[Download the DWG file by clicking here.](#)

[To Section Index](#)

Roof to Wall Flashing
At High Side Condition
FL04A/AU

#14X1 SDRF FASTENER LAYOUT					
TRIM	LEG 1	LEG 2	LEG 3	LEG 4	TOTAL
THS1L_	1	2	1	2	6
THS2L_	2	2	1	2	7
THS1S_	1	3	1	2	7
THS2S_	2	3	1	2	8



* ADJUST FEB CUT LENGTH AS REQUIRED. STOP FEB SHORT OF "PIGTAIL" CLOSURES AND SUPPORT MEMBERS UNDER FLASHING. (SEE NOTES AT [FL06AA](#))

* FIELD CUT
14 1/4" SECTION (UNINSULATED WALL PANEL)
OR
16 3/4" SECTION (INSULATED WALL PANEL)
OF FEB-10.2

"PIGTAIL" MASTIC TO JOIN CONTINUOUS SEALING RUN OF MASTIC UNDER ROOF TO WALL FLASHING

ROOF TO WALL FLASHING
AT HIGH SIDE CONDITION

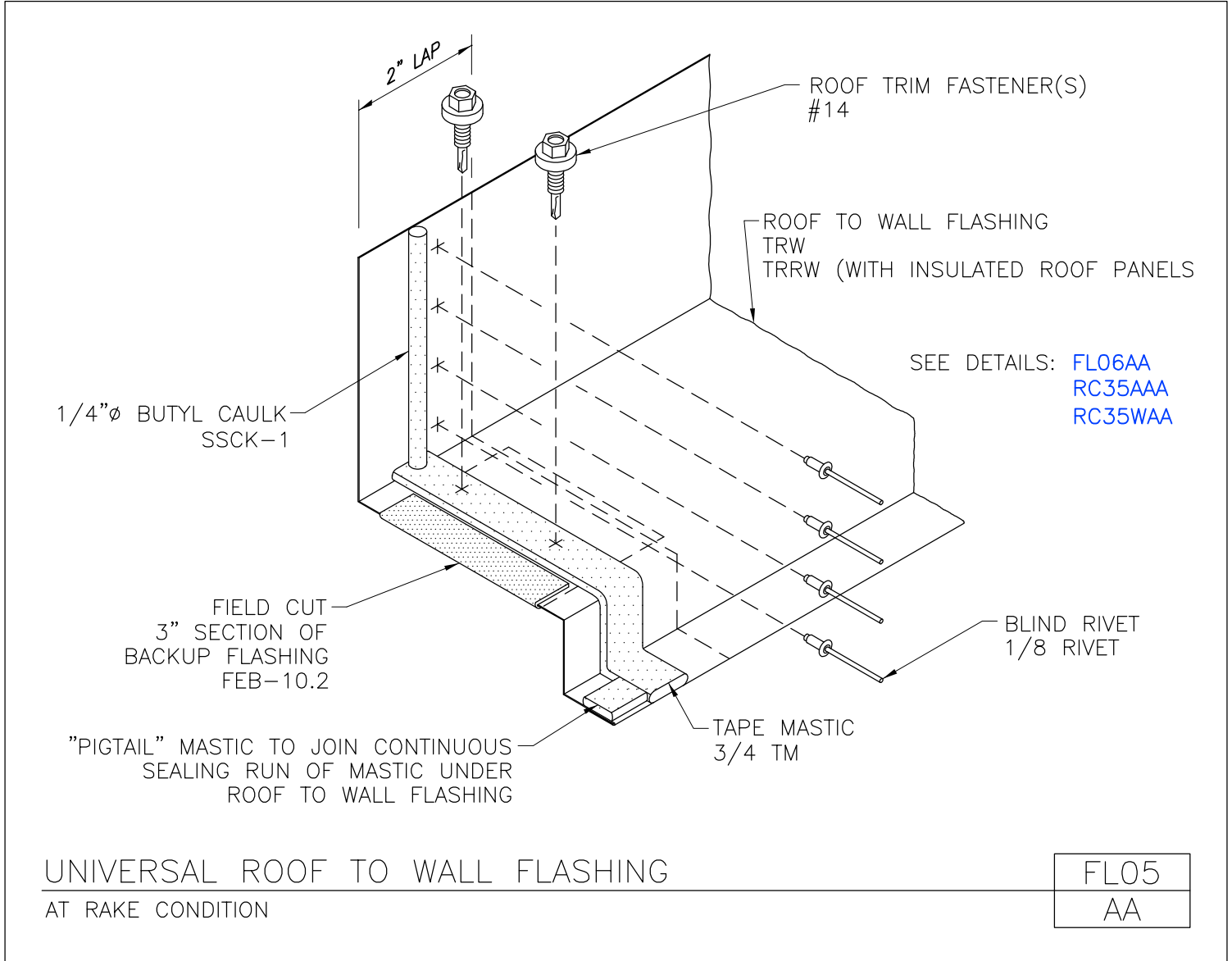
FL04A
AU

REF. DETAILS [FL06AA](#), [RC35AAA](#) & [RC35WAA](#)

[Download the DWG file by clicking here.](#)

[To Section Index](#)

Universal Roof to Wall Flashing
At Rake Conditions
FL05/AA



[Download the DWG file by clicking here.](#)

[To Section Index](#)



A **NUCOR** COMPANY

Flashing Laps and Transitions - General Requirements

FL06/AA

ROOF FLASHING LAPS AND END TRANSITIONS EXPOSED TO ROOF CONDITIONS

1. ROOF FLASHING LAPS SHALL BE SEALED WITH 3/4 X 3/16 TAPE MASTIC (3/4 TM).
2. FIELD CUT FEB-10.2 BACKUP FLASHING TO REINFORCE FLASHING ENDLAPS AND TERMINATIONS. INSTALL FEB AS SHOWN IN CONNECTION DETAILS (INBOARD) OF MASTIC, CLOSURES AND SUPPORT MEMBERS.

EXTRA CARE SHOULD BE TAKEN:

- DO NOT EXTEND FEB INTO THE MASTIC
- DO NOT EXTEND FEB BEYOND THE BUILDING ENVELOPE

FEB EXTENDED BEYOND THE BUILDING ENVELOPE INTERRUPTS THE GASKET CREATED BY THE CONTINUOUS MASTIC APPLICATION.
ADJUST FIELD CUT FEB LENGTHS AS REQUIRED.

3. STANDARD FASTENER SPACING AS SHOWN ON CONNECTION DETAILS WILL NEED TO VARY TO ENSURE A COMPLETE GASKET SEAL AT SOME LOCATIONS. INCLUDING (BUT NOT LIMITED TO) THE FOLLOWING.
 - DECREASE STITCH FASTENER SPACING FROM 6" O.C. TO 3" O.C. AT FLASHING LAPS AND TRANSITIONS.
EXAMPLES: RIDGE FLASHING TO RAKE CAP
HIP FLASHING TO TRCZ AT EAVE
RIDGE CAP TO PEAK BOX
 - AT ALL EXPOSED ROOF FLASHINGS ENDLAPS INSTALL A STITCH FASTENER THROUGH THE UPPER FLASHING 2 1/2" FROM THE ENDLAP.
SEE DETAIL: [RC35WAA](#)

4. VALLEY GUTTER LAPS SHALL BE SEALED WITH 2 X 3/16 TAPE MASTIC (2 TM) AND SHALL BE STITCHED WITH #14 ROOF FASTENERS 2" ON CENTER. QUANTITY WILL VARY WITH GUTTER SIZE.
5. PREDRILL 1/4"Ø HOLES AT UPPER AND LOWER FLASHING FOR #14 FASTENERS. DO NOT PREDRILL FEB BACKUP FLASHING.
6. FOR ROOF FLASHING LAPS NOT SHOWN IN DETAILS, THAT ARE EXPOSED TO ROOF CONDITIONS, USE THE FOLLOWING AS A GUIDE;
 - REINFORCE THE TOP SIDE OF ALL FLASHING END TRANSITIONS EXPOSED TO ROOF CONDITIONS USING #14 ROOF FASTENERS, 3" ON CENTER THROUGH MASTIC AND FIELD CUT FEB-10.2 (AS SPACE ALLOWS)

FLASHING LAPS NOT SHOWN AND NOT EXPOSED TO ROOF CONDITIONS

7. FOR FLASHING LAPS NOT SHOWN AND NOT EXPOSED TO ROOF CONDITIONS, USE THE FOLLOWING AS A GUIDE;
 - USE 1/8 INCH BLIND RIVETS 3" ON CENTER.

GENERAL REQUIREMENTS

8. ALL FLASHING LAPS SHALL BE TWO INCHES.

FLASHING LAPS AND TRANSITIONS – GENERAL REQUIREMENTS

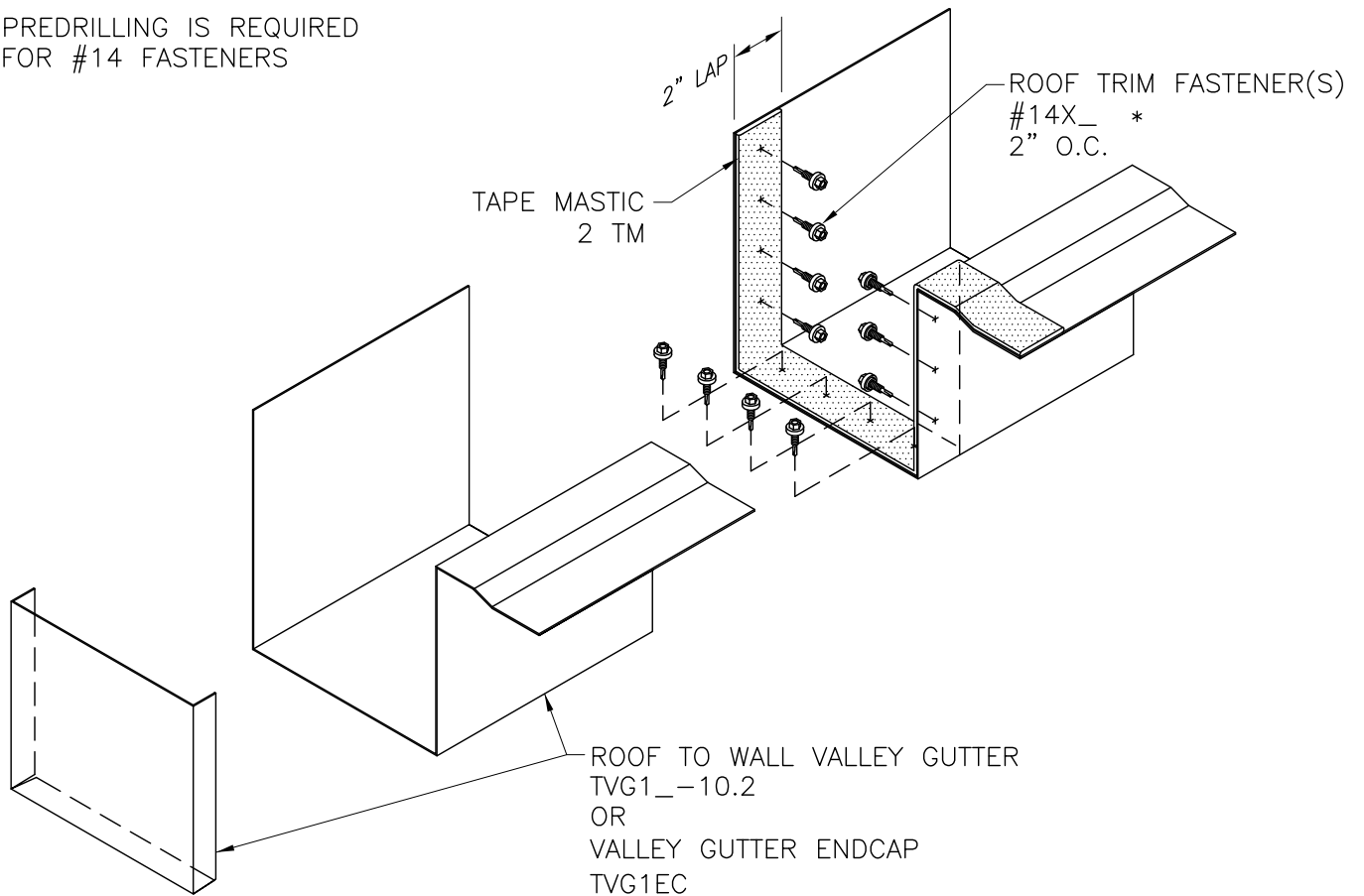
FL06
AA

[Download the DWG file by clicking here.](#)

[To Section Index](#)

Valley Gutter Lap & Endcap Fastener Detail
Long Span III, Standing Seam, & Loc Seam
FL07/AA

* PREDRILLING IS REQUIRED
FOR #14 FASTENERS



VALLEY GUTTER LAP & ENDCAP FASTENER DETAIL
LONG SPAN III, STANDING SEAM & LOC SEAM

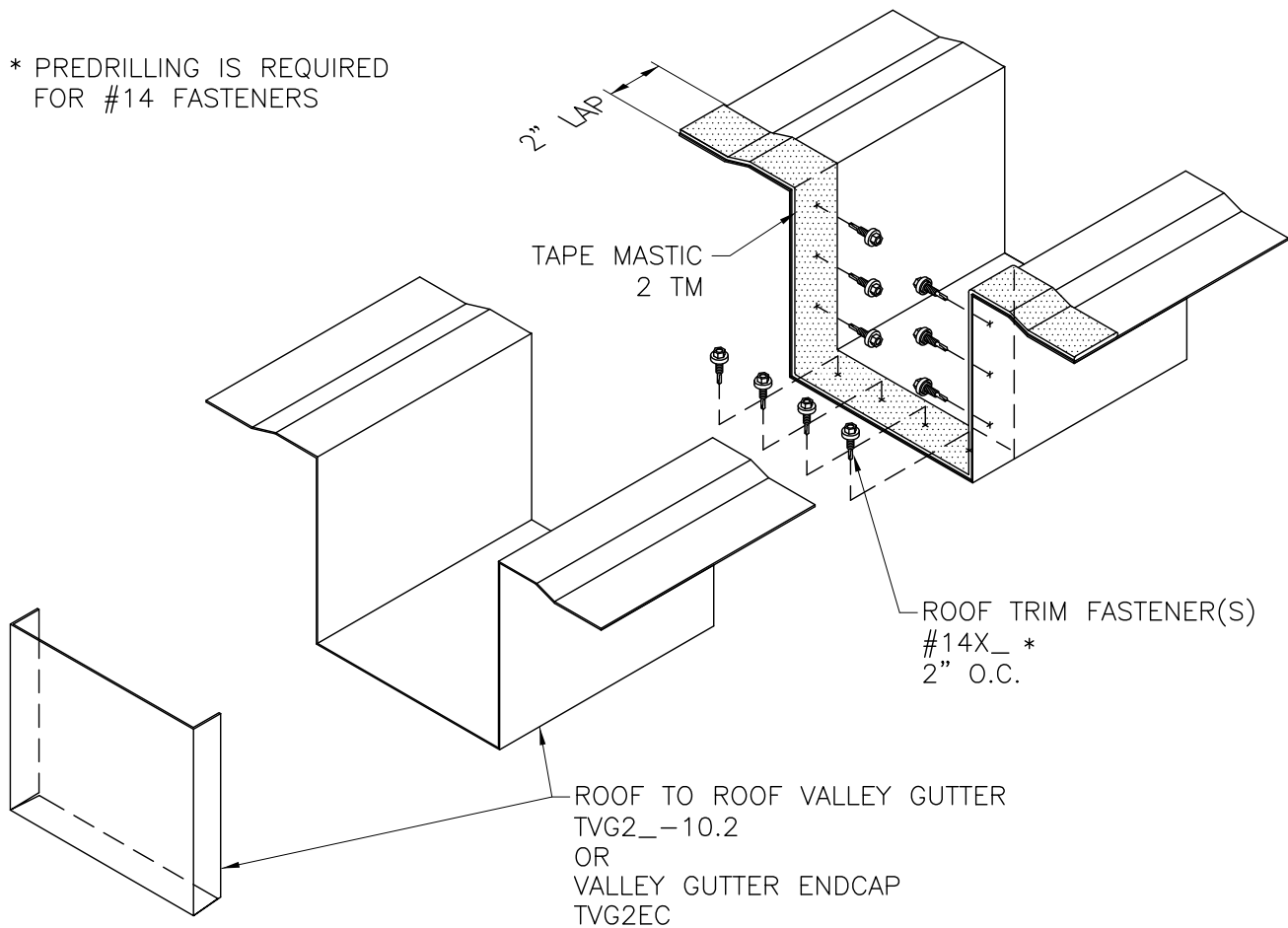
FL07
AA

[Download the DWG file by clicking here.](#)

[To Section Index](#)

Valley Gutter Flashing
Long Span III, Standing Seam & Loc Seam
FL07W/AA

* PREDRILLING IS REQUIRED
FOR #14 FASTENERS



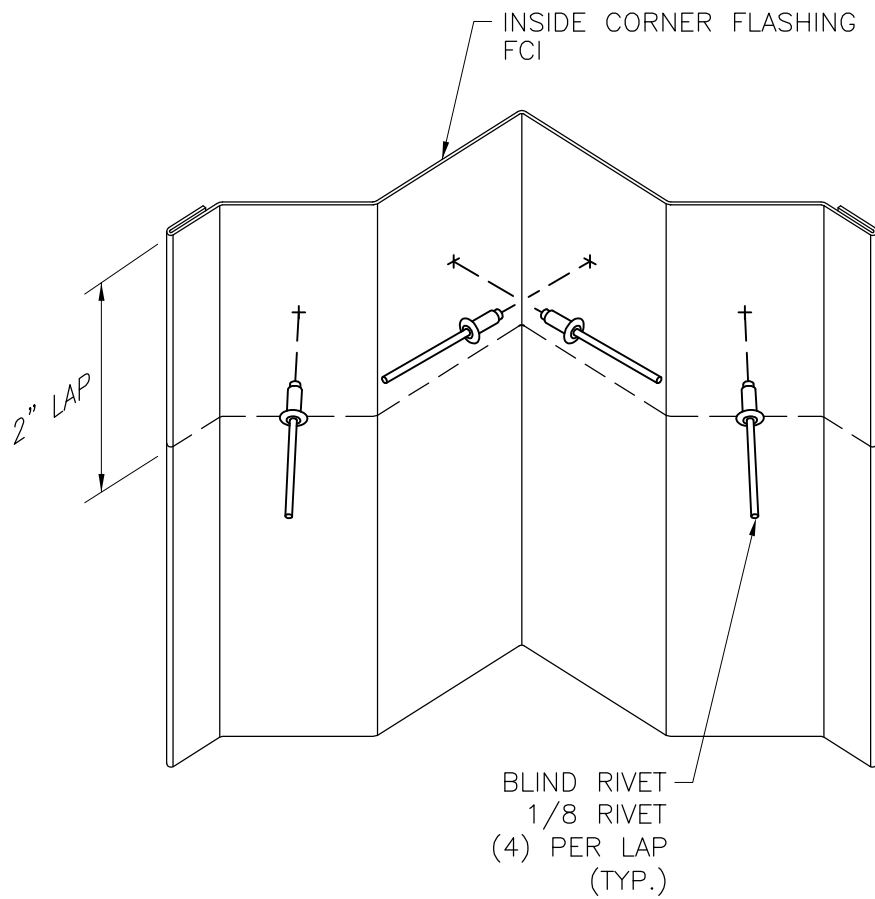
VALLEY GUTTER LAP & ENDCAP FASTENER DETAIL
LONG SPAN III, STANDING SEAM & LOC SEAM

FL07W
AA

[Download the DWG file by clicking here.](#)

[To Section Index](#)

Inside Corner Flashing
Long Span III Walls
FL08A/AB



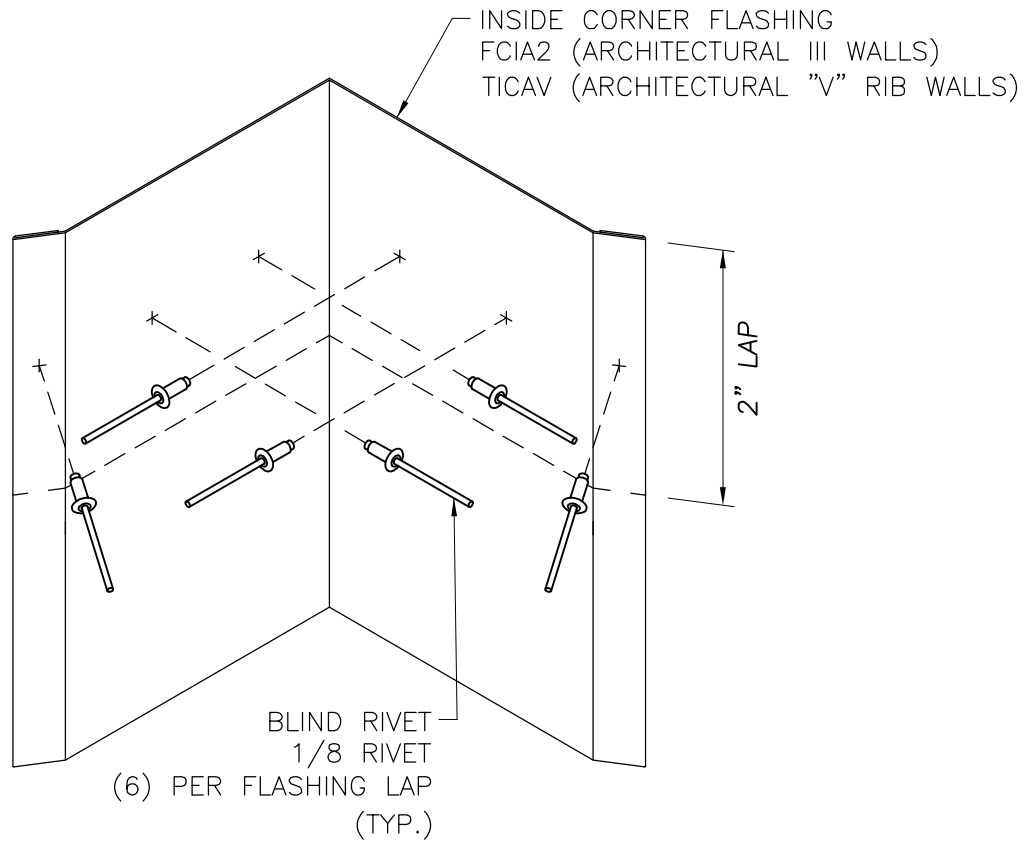
INSIDE CORNER FLASHING
LONG SPAN III WALLS

FL08A
AB

[Download the DWG file by clicking here.](#)

[To Section Index](#)

Inside Corner Flashing
Architectural III or Architectural "V" Rib Walls
FL08A/AC



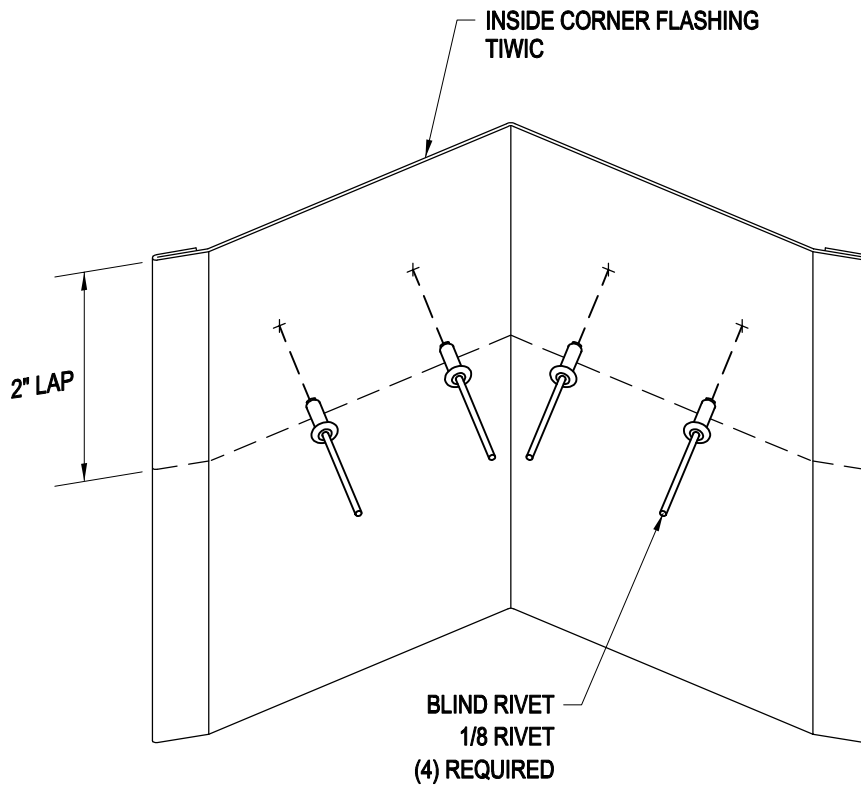
INSIDE CORNER FLASHING
ARCHITECTURAL III OR ARCHITECTURAL "V" RIB WALLS

FL08A
AC

[Download the DWG file by clicking here.](#)

[To Section Index](#)

Inside Corner Flashing
Insulated Wall Panels
FL08A/AW



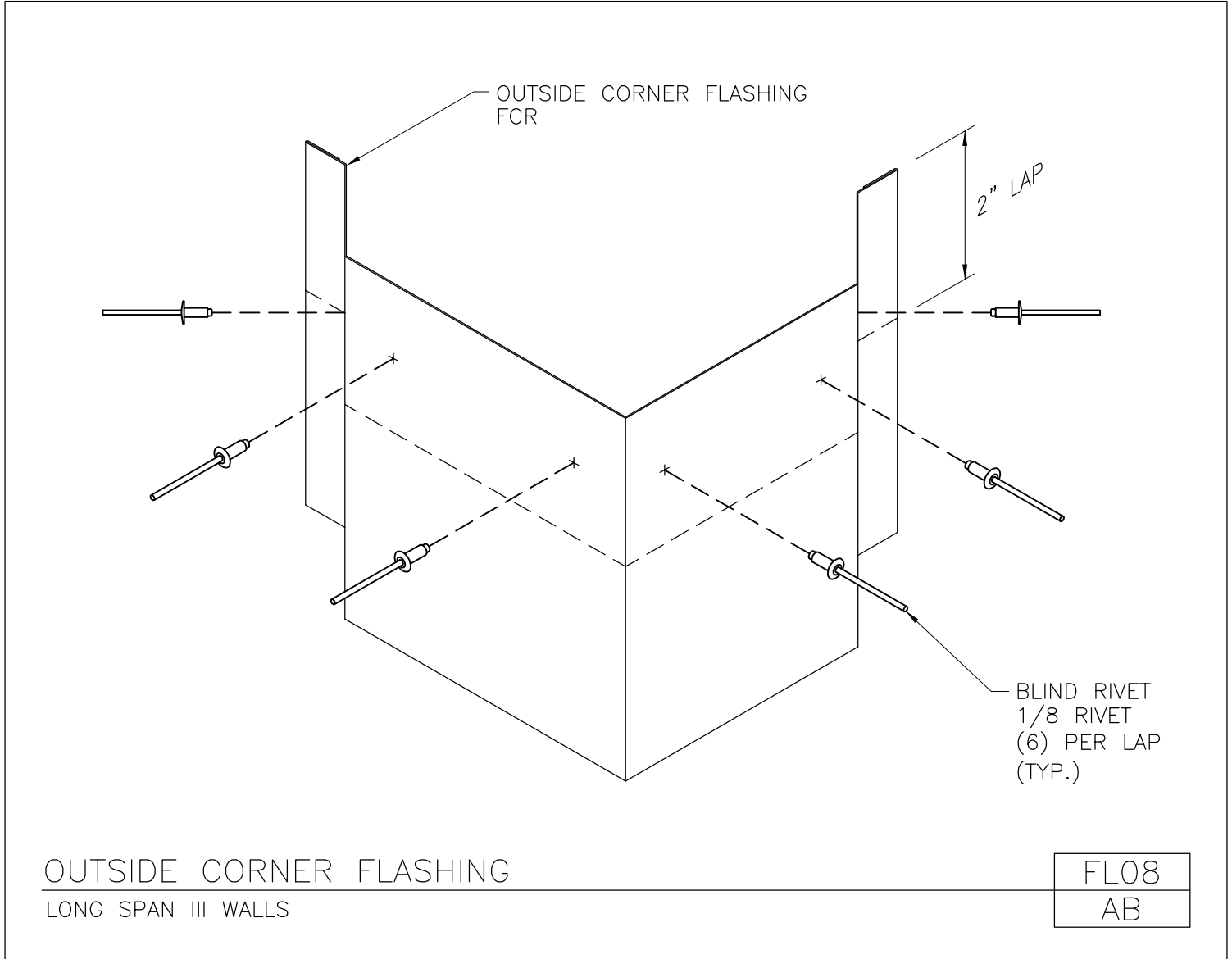
INSIDE CORNER FLASHING
INSULATED WALL PANELS

FL08A
AW

[Download the DWG file by clicking here.](#)

[To Section Index](#)

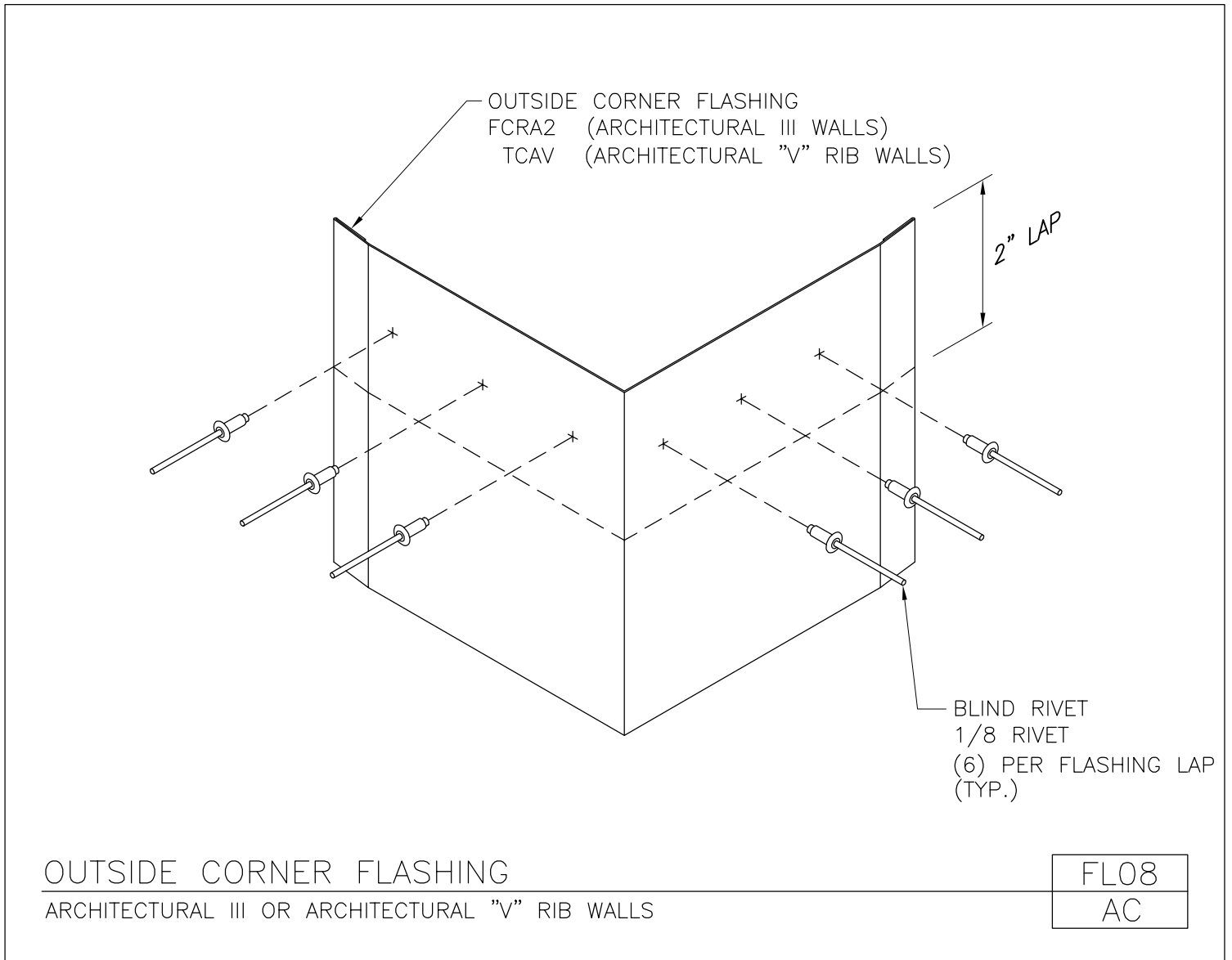
Outside Corner Flashing
Long Span III Walls
FL08/AB



[Download the DWG file by clicking here.](#)

[To Section Index](#)

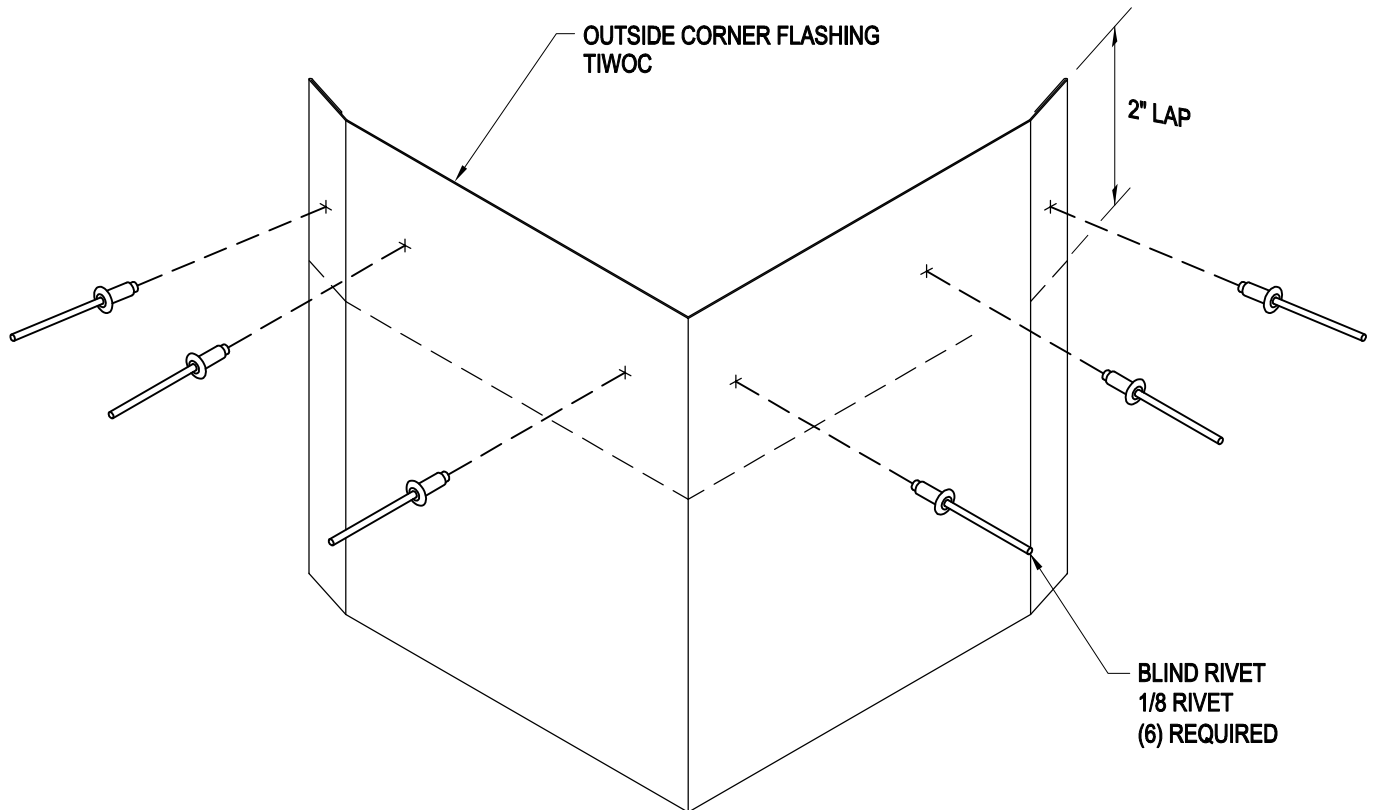
Outside Corner Flashing
Architectural III or Architectural "V" Rib Walls
FL08/AC



[Download the DWG file by clicking here.](#)

[To Section Index](#)

Outside Corner Flashing
Insulated Wall Panels
FL08/AW



OUTSIDE CORNER FLASHING
INSULATED WALL PANELS

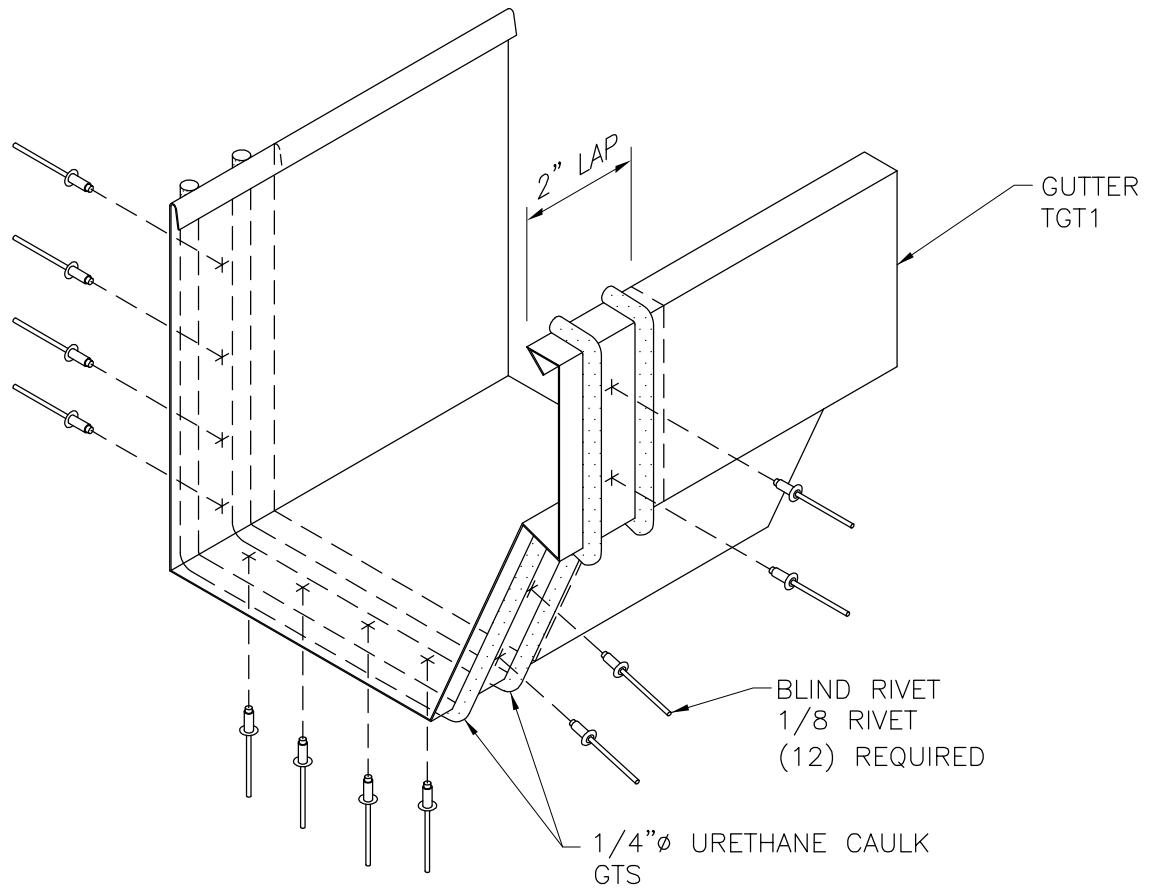
FL08
AW

[Download the DWG file by clicking here.](#)

[To Section Index](#)

Standard Gutter

FL09/AA



STANDARD GUTTER

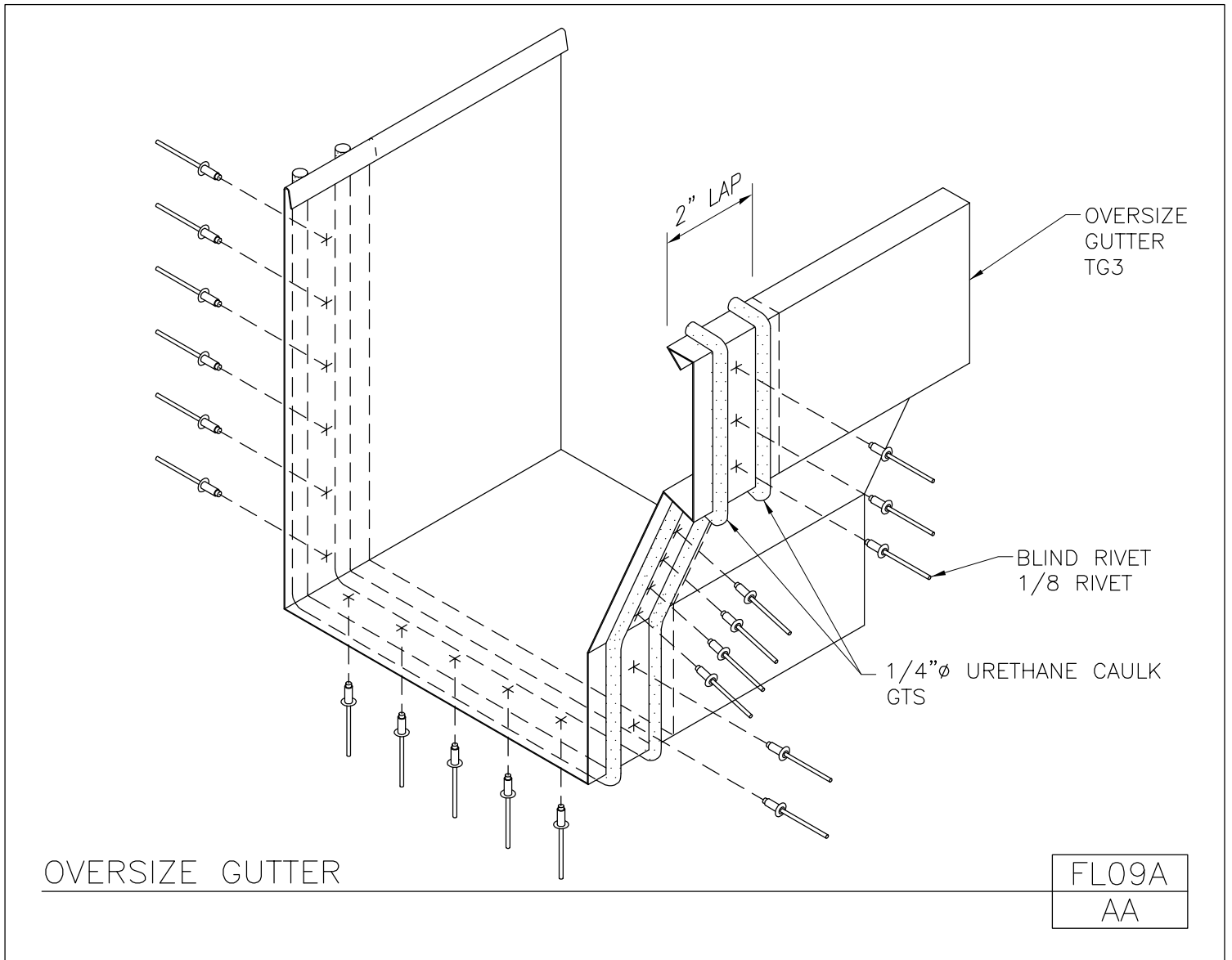
FL09
AA

[Download the DWG file by clicking here.](#)

[To Section Index](#)

Oversize Gutter

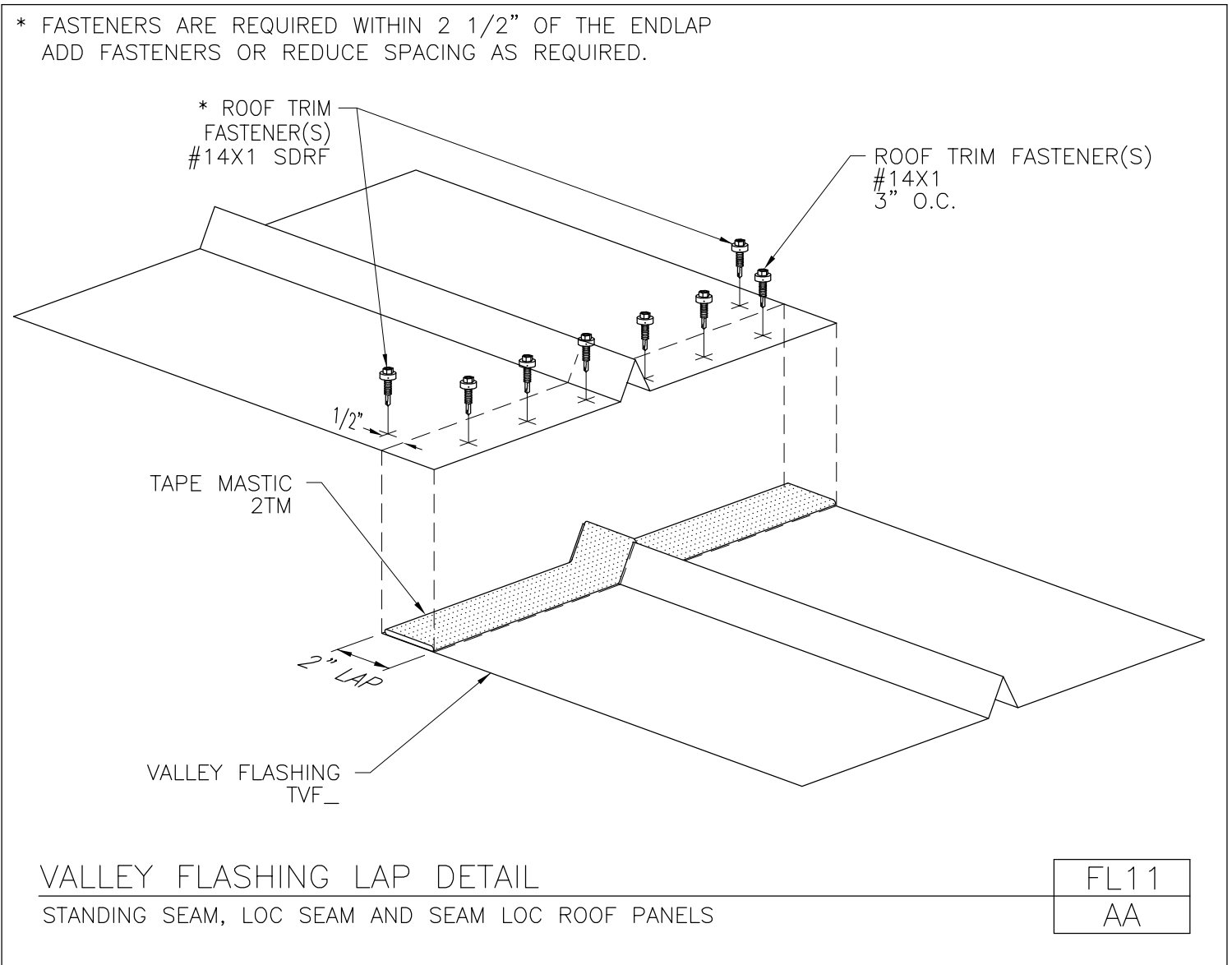
FL09A/AA



[Download the DWG file by clicking here.](#)

[To Section Index](#)

Valley Flashing Lap Detail
Standing Seam & Loc Seam Roof Panels
FL11/AA

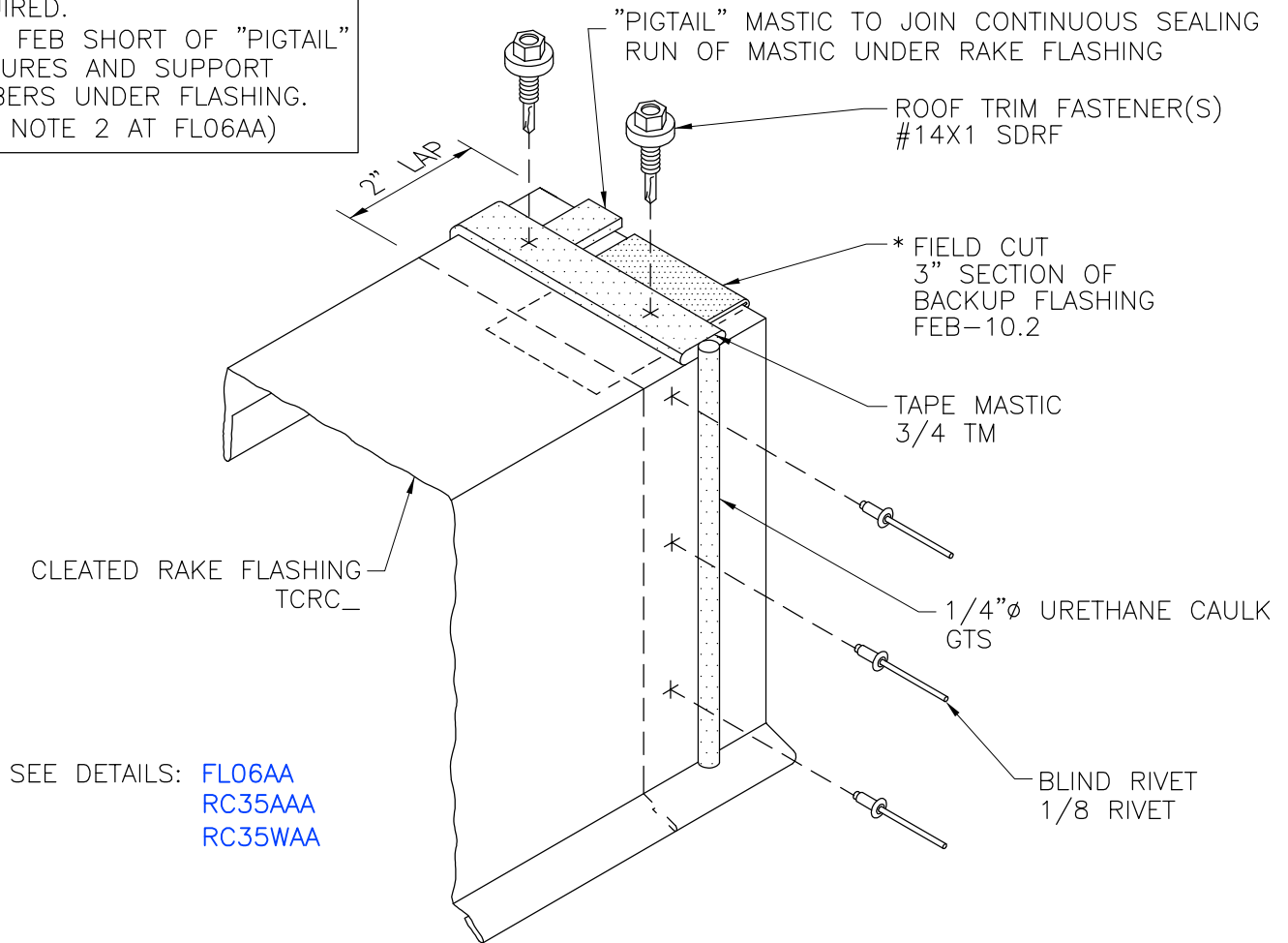


[Download the DWG file by clicking here.](#)

[To Section Index](#)

Cleated Rake Flashing
Loc Seam Roof
FL12/GA

* ADJUST FEB CUT LENGTH AS REQUIRED.
STOP FEB SHORT OF "PIGTAIL" CLOSURES AND SUPPORT MEMBERS UNDER FLASHING.
(SEE NOTE 2 AT FL06AA)



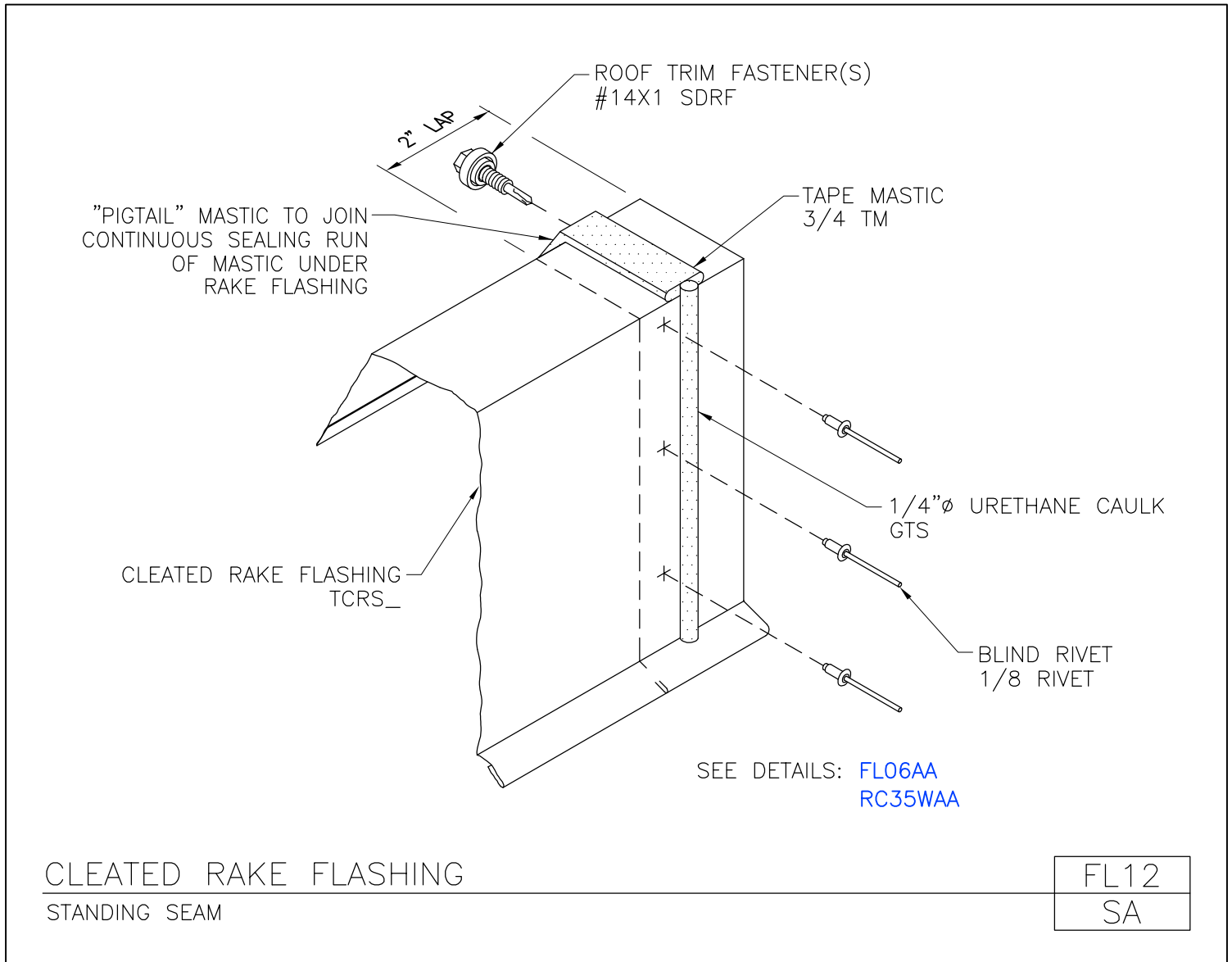
CLEATED RAKE FLASHING
LOC SEAM & SEAM LOC

FL12
GA

[Download the DWG file by clicking here.](#)

[To Section Index](#)

Cleated Rake Flashing
Standing Seam
FL12/SA



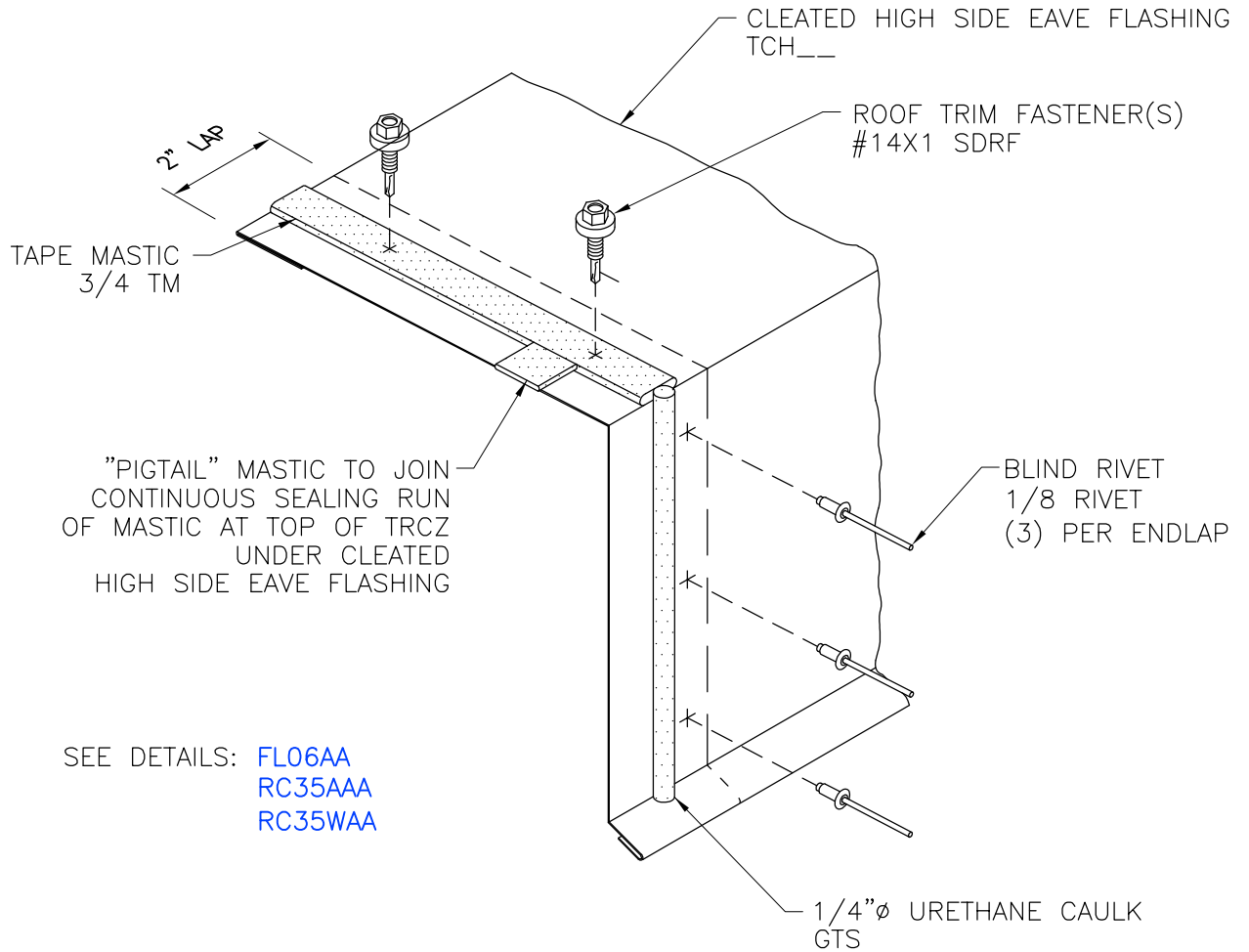
[Download the DWG file by clicking here.](#)

[To Section Index](#)

Cleated High Side Eave Flashing

Loc Seam

FL13/GA



CLEATED HIGH SIDE EAVE FLASHING

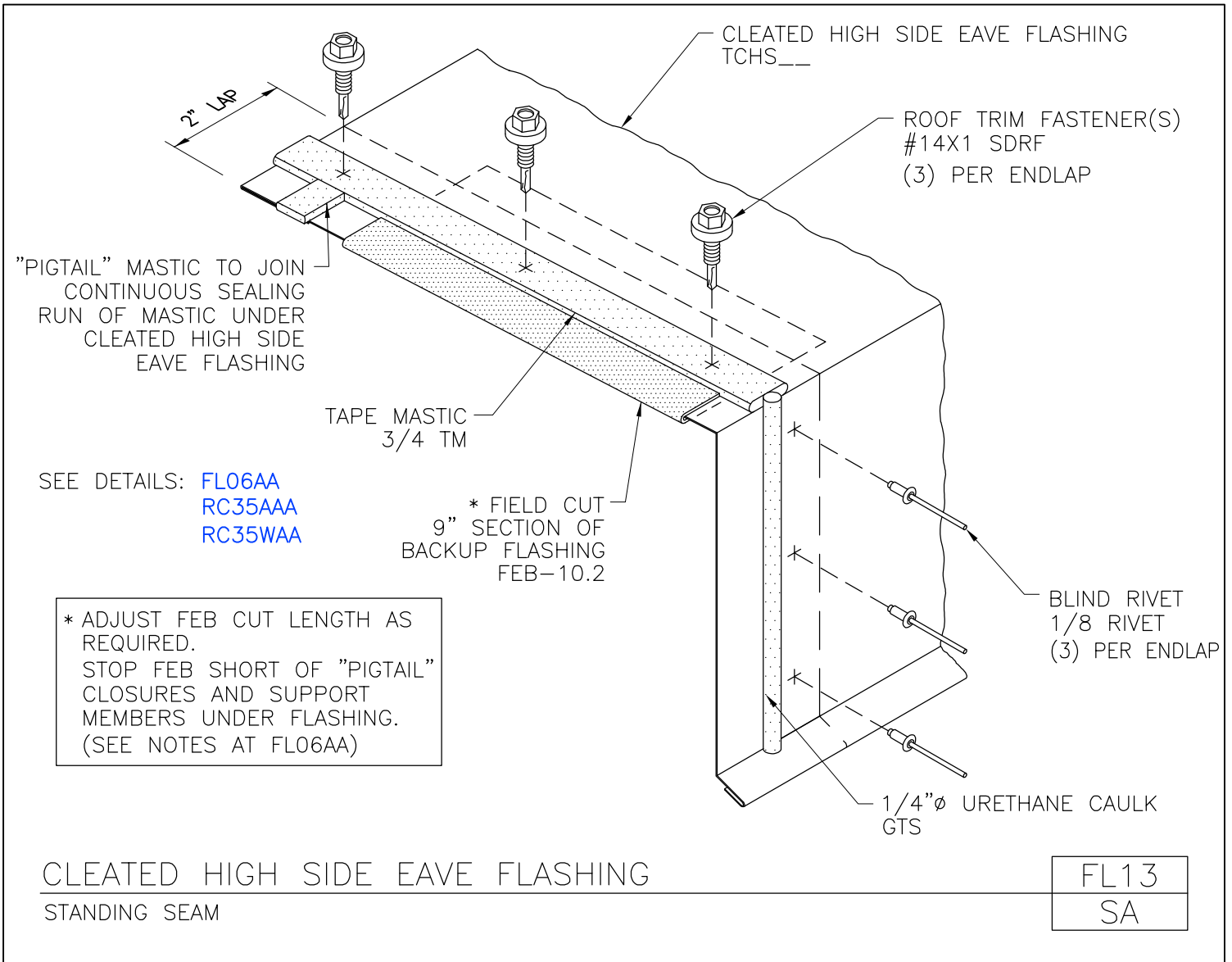
LOC SEAM & SEAM LOC

FL13
GA

[Download the DWG file by clicking here.](#)

[To Section Index](#)

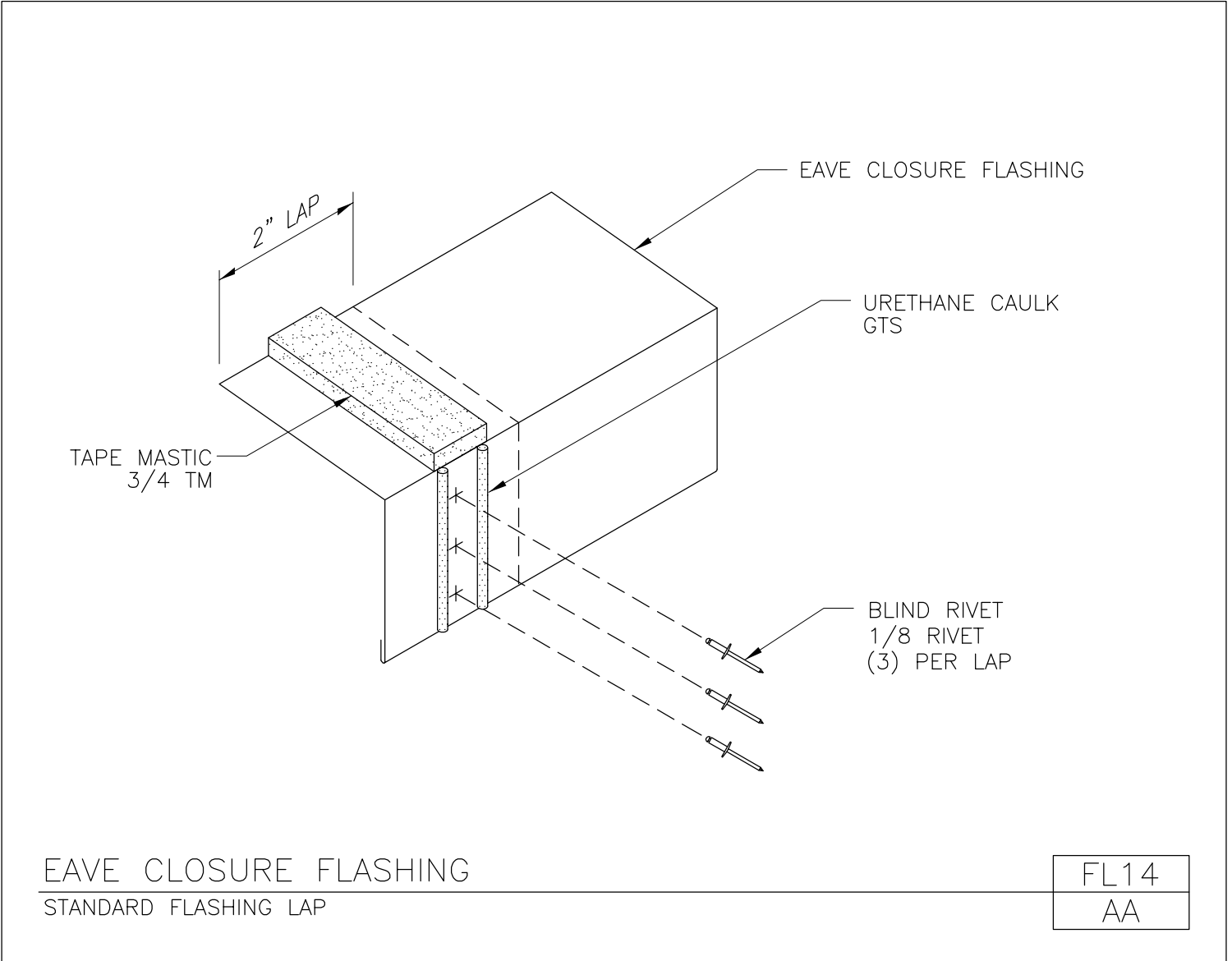
Cleated High Side Eave Flashing
Standing Seam
FL13/SA



[Download the DWG file by clicking here.](#)

[To Section Index](#)

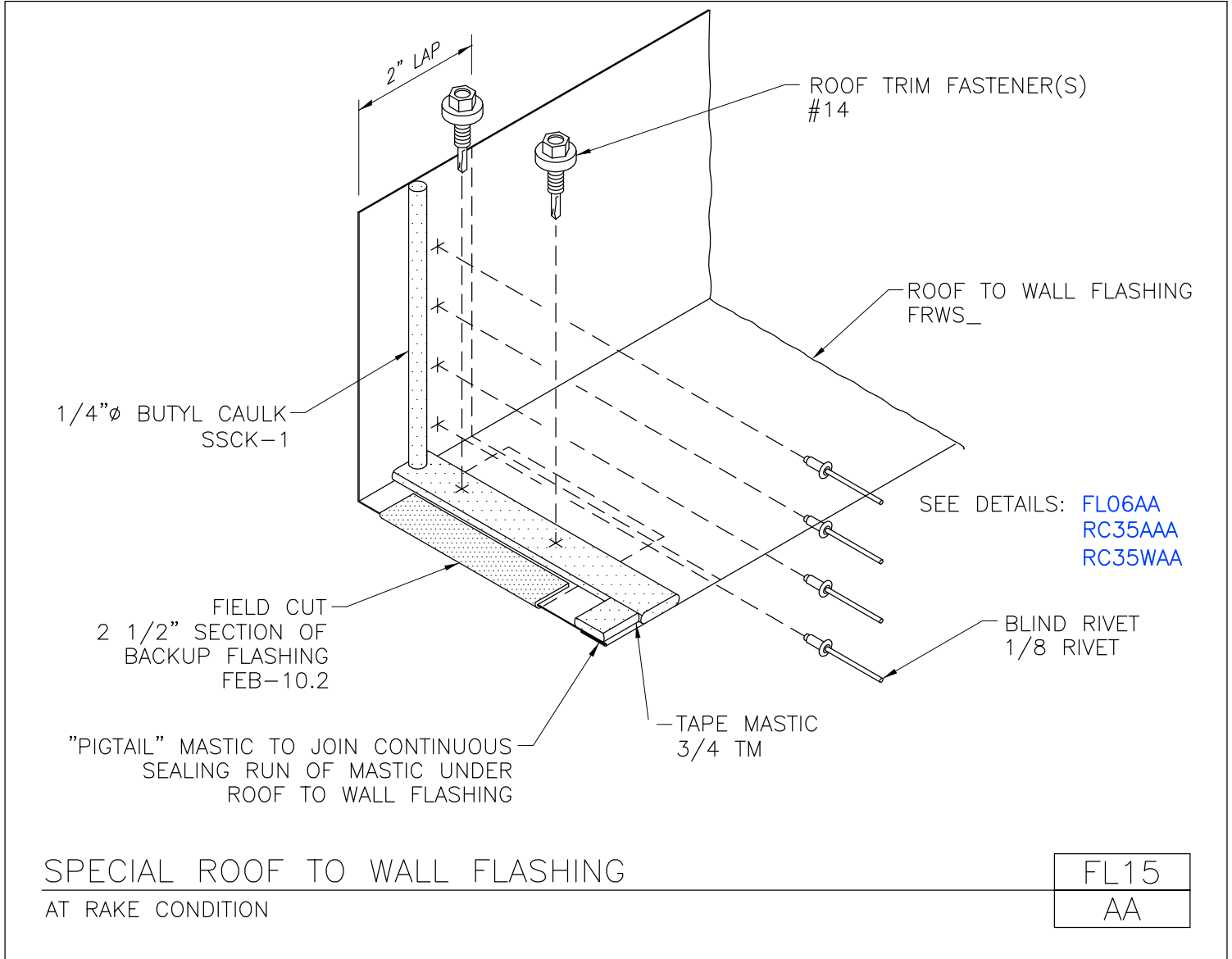
Eave Closure Flashing
Standard Flashing Lap
FL14/AA



[Download the DWG file by clicking here.](#)

[To Section Index](#)

Special Roof to Wall Flashing
At Rake Condition
FL15/AA



[Download the DWG file by clicking here.](#)

[To Section Index](#)



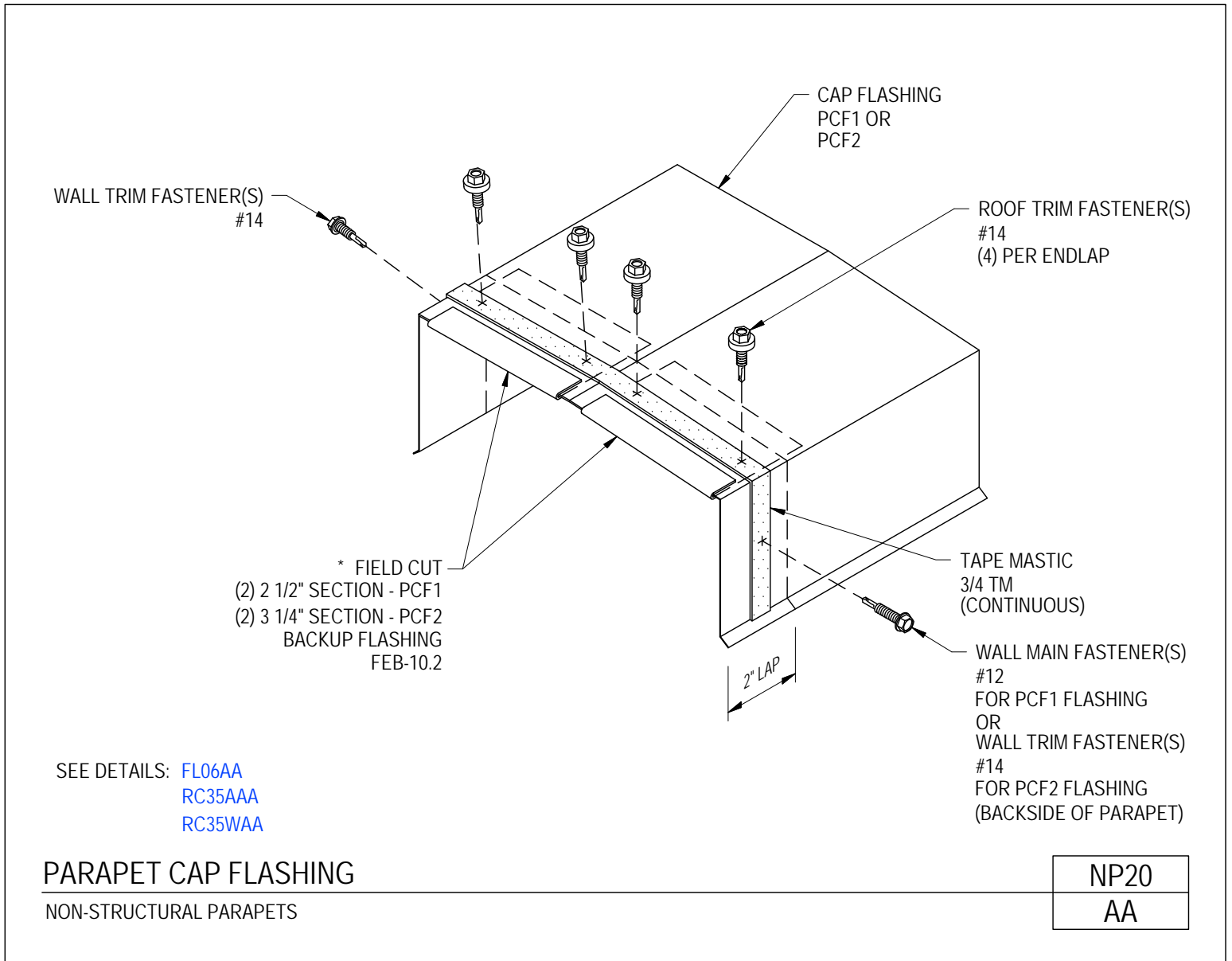
**AMERICAN
BUILDINGS**

A **NUCOR** COMPANY

PRODUCT MANUAL

FLASHING LAPS

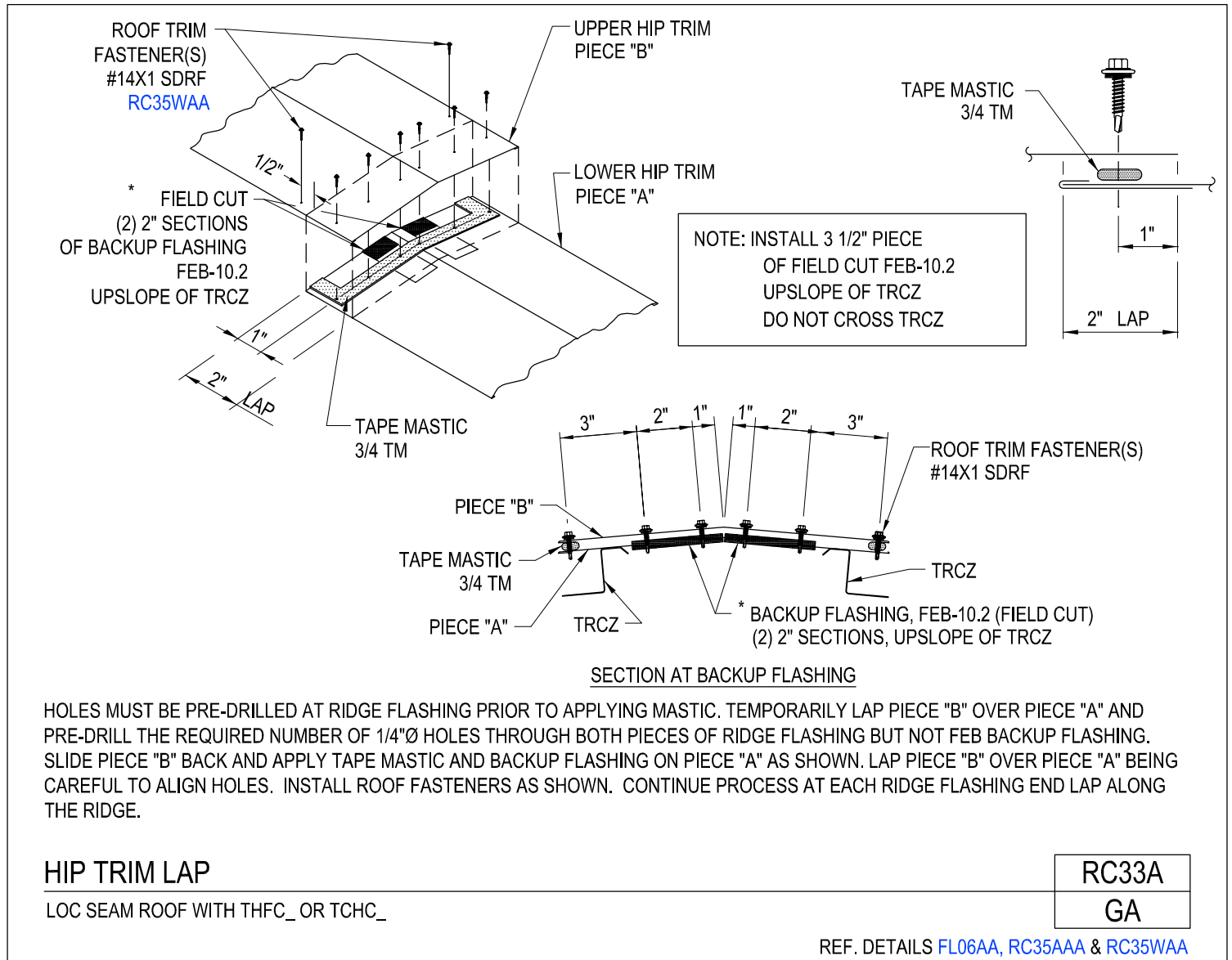
Parapet Cap Flashing
Non-Structural Parapets
NP20/AA



[Download the DWG file by clicking here.](#)

[To Section Index](#)

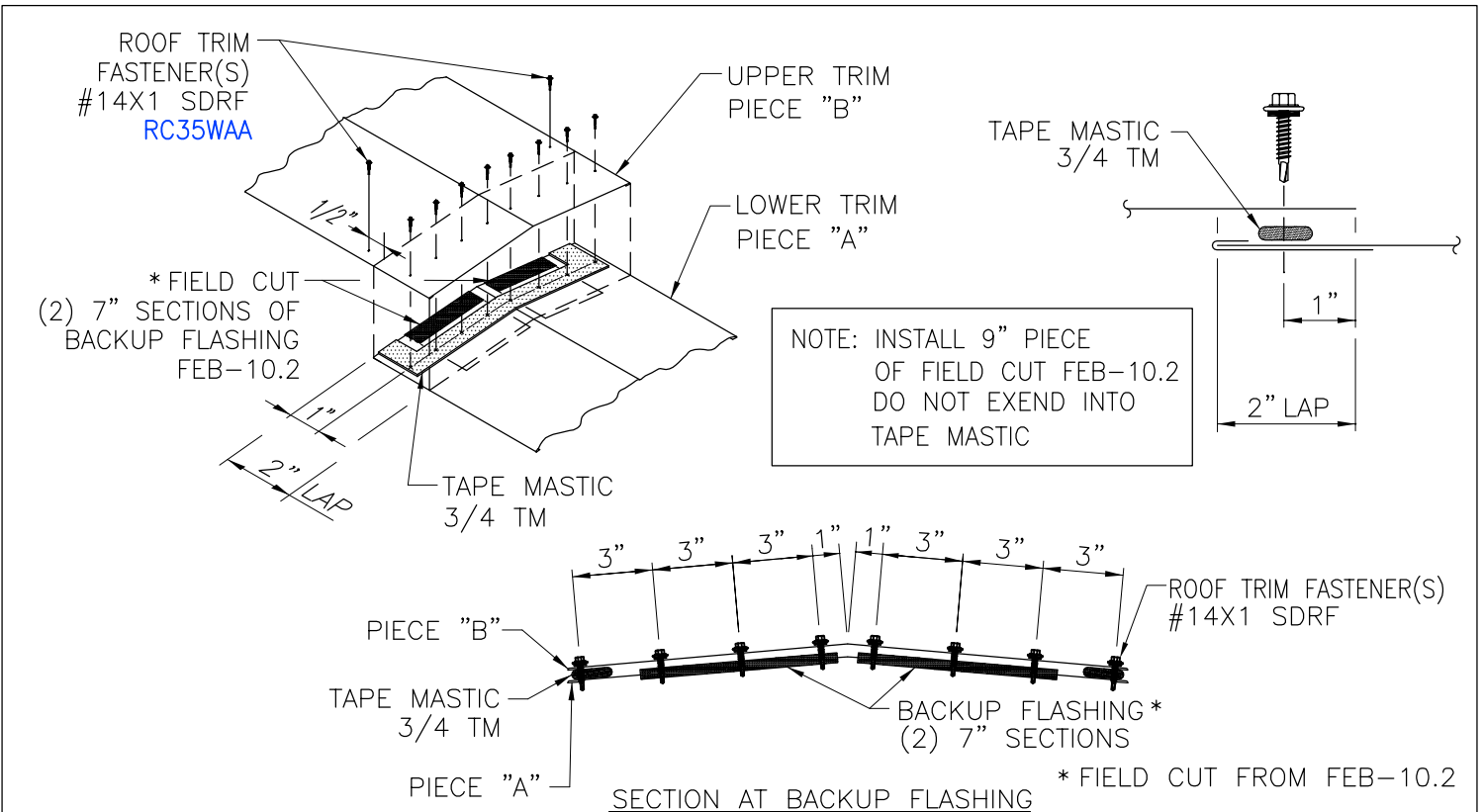
Hip Trim Lap
Loc Seam Roof With THFC_ or THCHC_
RC33A/GA



[Download the DWG file by clicking here.](#)

[To Section Index](#)

Hip Trim Lap
Standing Seam Roof With THFS_
RC33A/SA



HOLES MUST BE PRE-DRILLED AT RIDGE FLASHING PRIOR TO APPLYING MASTIC. TEMPORARILY LAP PIECE "B" OVER PIECE "A" AND PRE-DRILL THE REQUIRED NUMBER OF 1/4"Ø HOLES THROUGH BOTH PIECES OF RIDGE FLASHING BUT NOT FEB BACKUP FLASHING. SLIDE PIECE "B" BACK AND APPLY TAPE MASTIC AND BACKUP FLASHING ON PIECE "A" AS SHOWN. LAP PIECE "B" OVER PIECE "A" BEING CAREFUL TO ALIGN HOLES. INSTALL ROOF FASTENERS AS SHOWN. CONTINUE PROCESS AT EACH RIDGE FLASHING END LAP ALONG THE RIDGE.

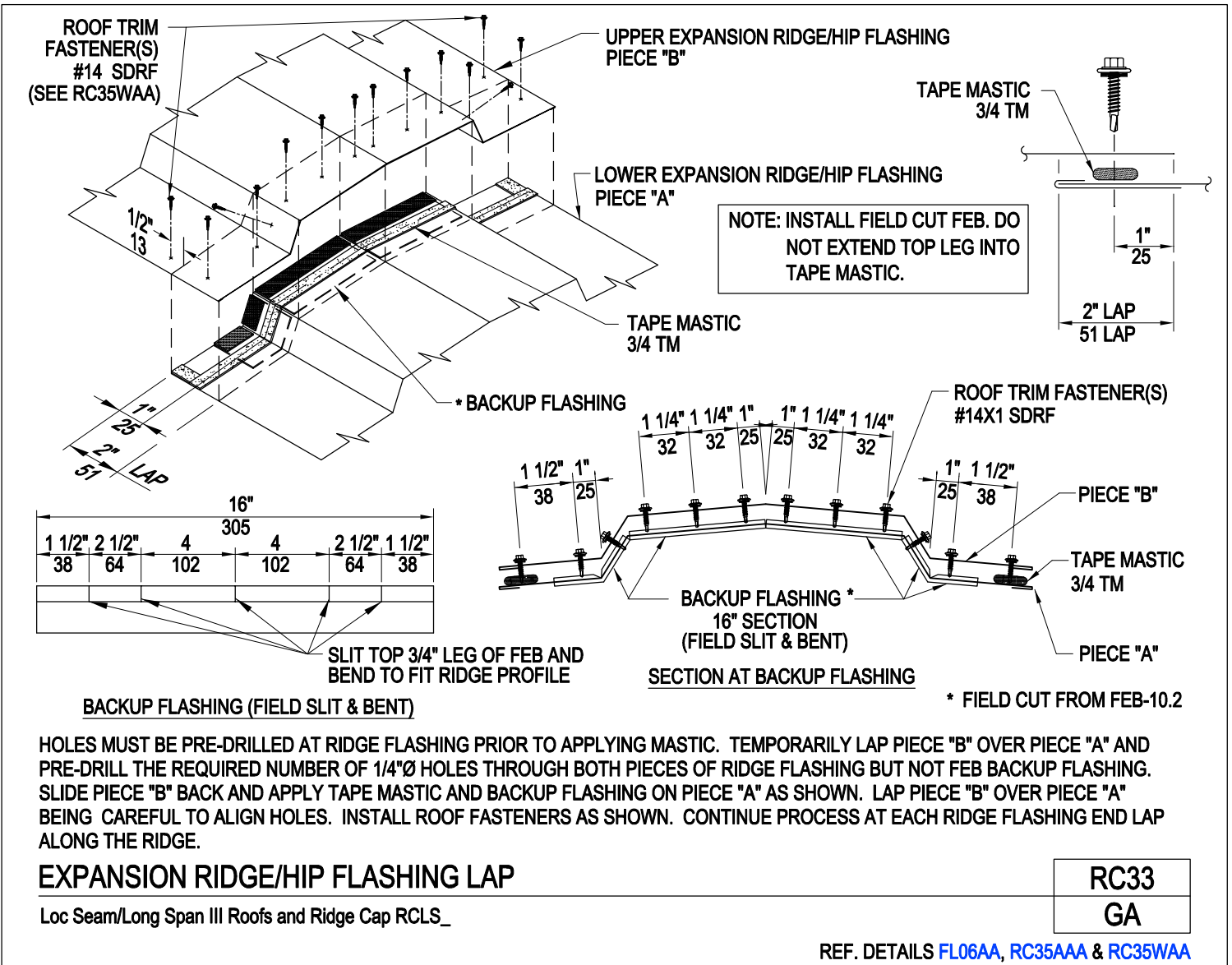
HIP TRIM LAP
STANDING SEAM ROOF WITH THFS_

RC33A
SA

REF.DETAILS [FLO6AA](#), [RC35AAA](#) & [RC35WAA](#)

[Download the DWG file by clicking here.](#)

Expansion/Vented Ridge/Hip Flashing Lap
 Loc Seam/Long Span III Roofs and Ridge Cap RCLS_
 RC33/GA



HOLES MUST BE PRE-DRILLED AT RIDGE FLASHING PRIOR TO APPLYING MASTIC. TEMPORARILY LAP PIECE "B" OVER PIECE "A" AND PRE-DRILL THE REQUIRED NUMBER OF 1/4"Ø HOLES THROUGH BOTH PIECES OF RIDGE FLASHING BUT NOT FEB BACKUP FLASHING. SLIDE PIECE "B" BACK AND APPLY TAPE MASTIC AND BACKUP FLASHING ON PIECE "A" AS SHOWN. LAP PIECE "B" OVER PIECE "A" BEING CAREFUL TO ALIGN HOLES. INSTALL ROOF FASTENERS AS SHOWN. CONTINUE PROCESS AT EACH RIDGE FLASHING END LAP ALONG THE RIDGE.

EXPANSION RIDGE/HIP FLASHING LAP

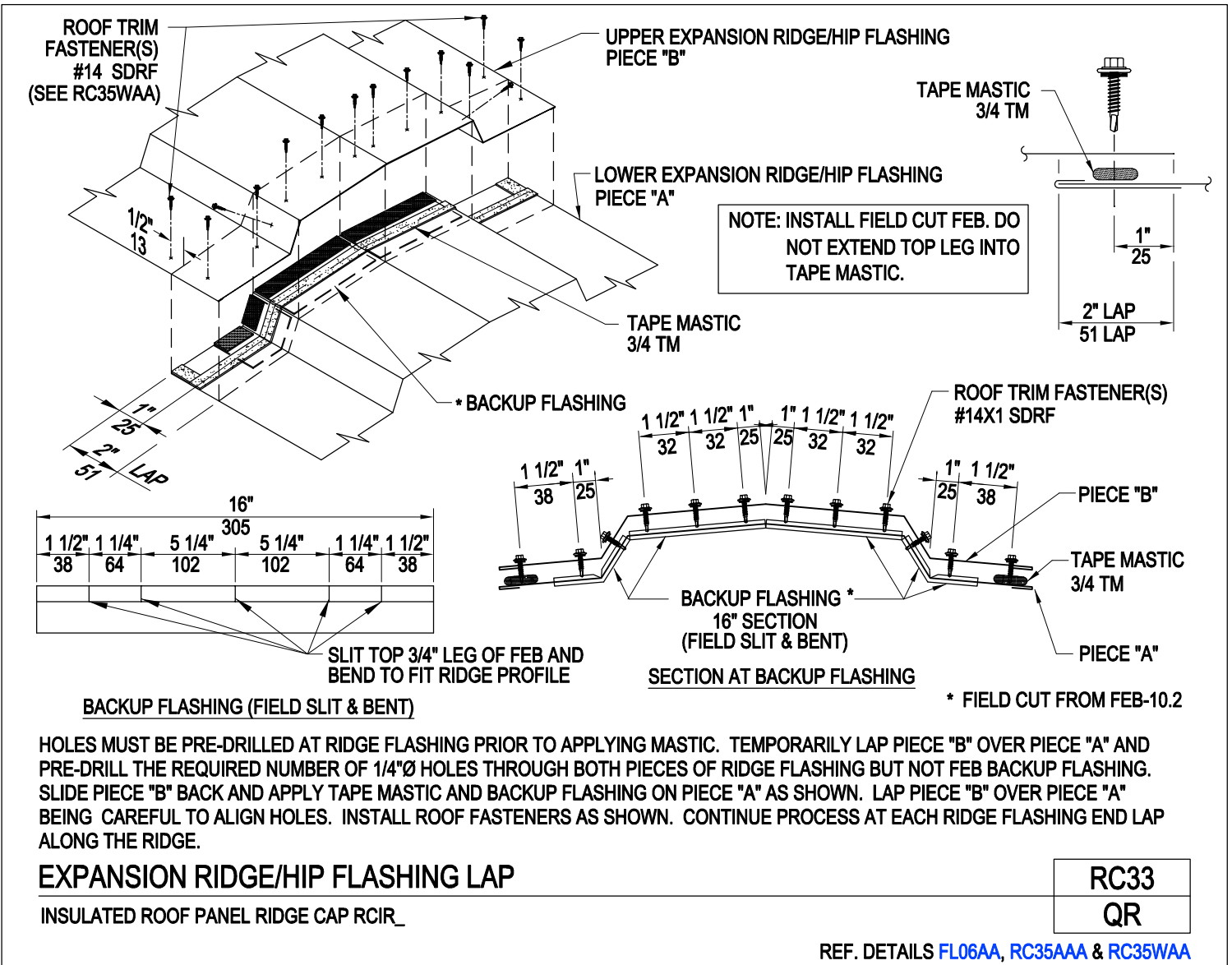
Loc Seam/Long Span III Roofs and Ridge Cap RCLS_

RC33
GA

REF. DETAILS [FL06AA](#), [RC35AAA](#) & [RC35WAA](#)

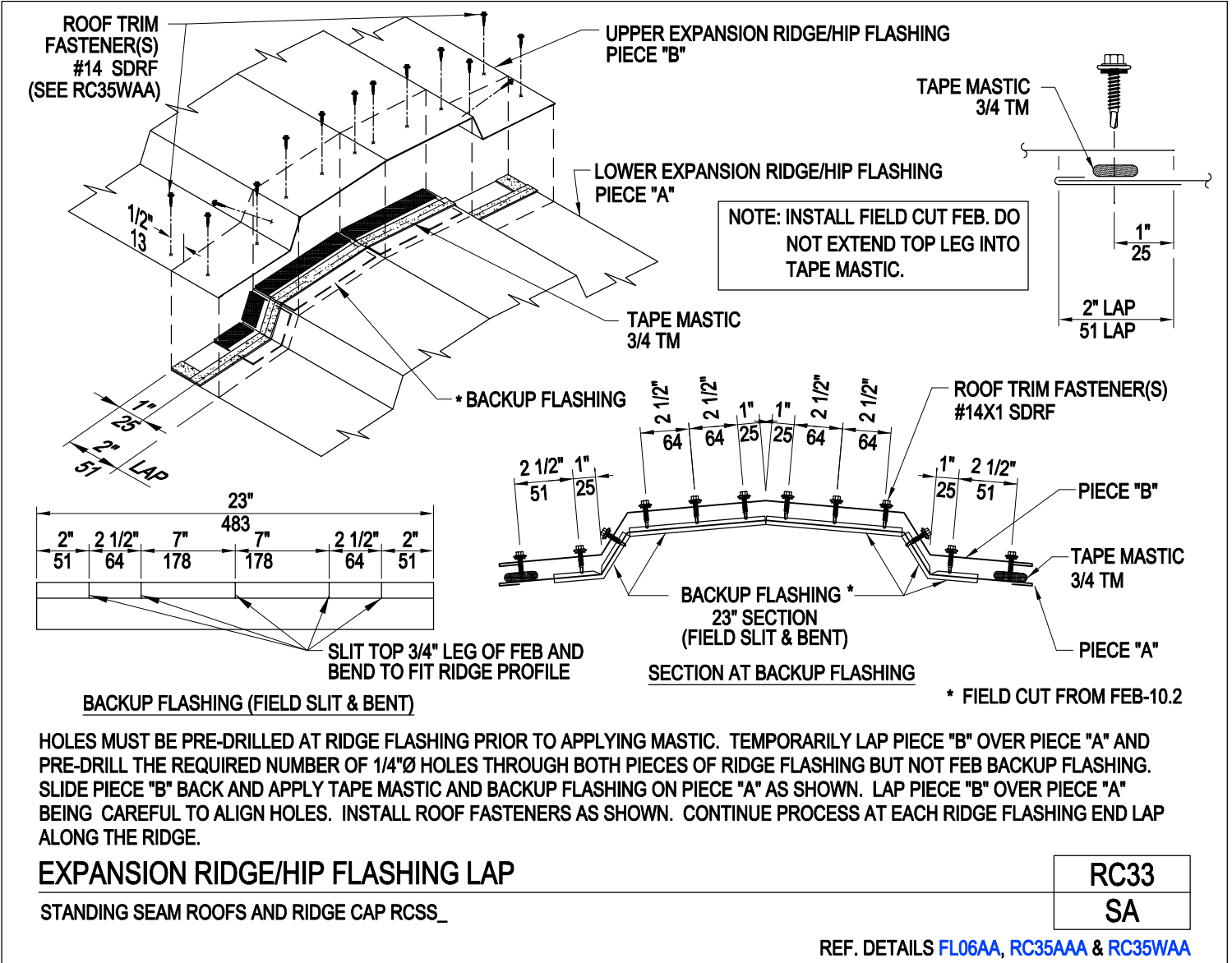
[Download the DWG file by clicking here.](#)

Expansion Ridge/Hip Flashing
 Insulated Roof Panels
 RC33/QR



HOLES MUST BE PRE-DRILLED AT RIDGE FLASHING PRIOR TO APPLYING MASTIC. TEMPORARILY LAP PIECE "B" OVER PIECE "A" AND PRE-DRILL THE REQUIRED NUMBER OF 1/4"Ø HOLES THROUGH BOTH PIECES OF RIDGE FLASHING BUT NOT FEB BACKUP FLASHING. SLIDE PIECE "B" BACK AND APPLY TAPE MASTIC AND BACKUP FLASHING ON PIECE "A" AS SHOWN. LAP PIECE "B" OVER PIECE "A" BEING CAREFUL TO ALIGN HOLES. INSTALL ROOF FASTENERS AS SHOWN. CONTINUE PROCESS AT EACH RIDGE FLASHING END LAP ALONG THE RIDGE.

Expansion/Vented Ridge/Hip Flashing Lap
 Standing Seam Roofs and Ridge Cap RCSS_
 RC33/SA



HOLES MUST BE PRE-DRILLED AT RIDGE FLASHING PRIOR TO APPLYING MASTIC. TEMPORARILY LAP PIECE "B" OVER PIECE "A" AND PRE-DRILL THE REQUIRED NUMBER OF 1/4"Ø HOLES THROUGH BOTH PIECES OF RIDGE FLASHING BUT NOT FEB BACKUP FLASHING. SLIDE PIECE "B" BACK AND APPLY TAPE MASTIC AND BACKUP FLASHING ON PIECE "A" AS SHOWN. LAP PIECE "B" OVER PIECE "A" BEING CAREFUL TO ALIGN HOLES. INSTALL ROOF FASTENERS AS SHOWN. CONTINUE PROCESS AT EACH RIDGE FLASHING END LAP ALONG THE RIDGE.

EXPANSION RIDGE/HIP FLASHING LAP

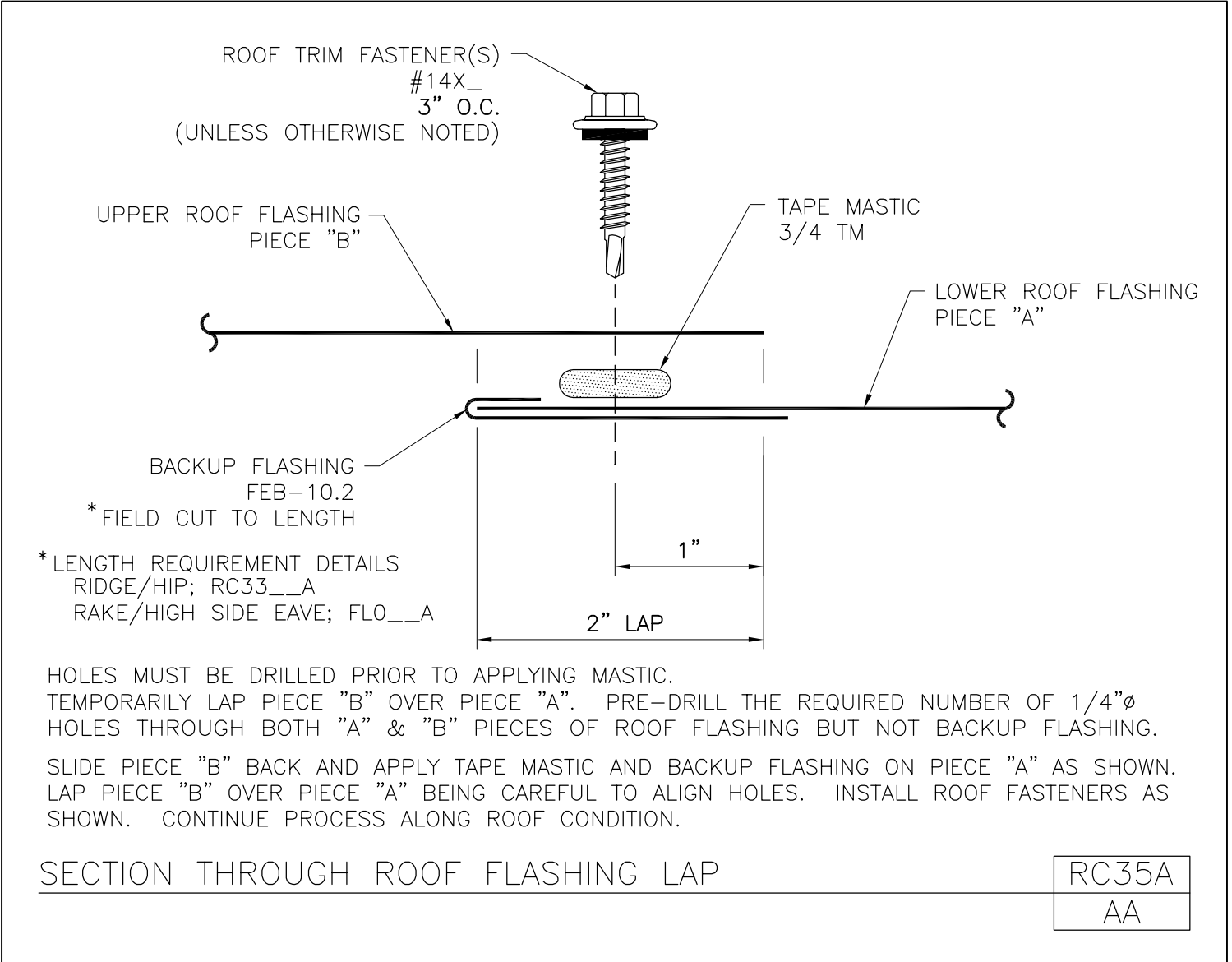
STANDING SEAM ROOFS AND RIDGE CAP RCSS_

[Download the DWG file by clicking here.](#)

[To Section Index](#)

Section Through Roof Flashing Lap

RC35A/AA

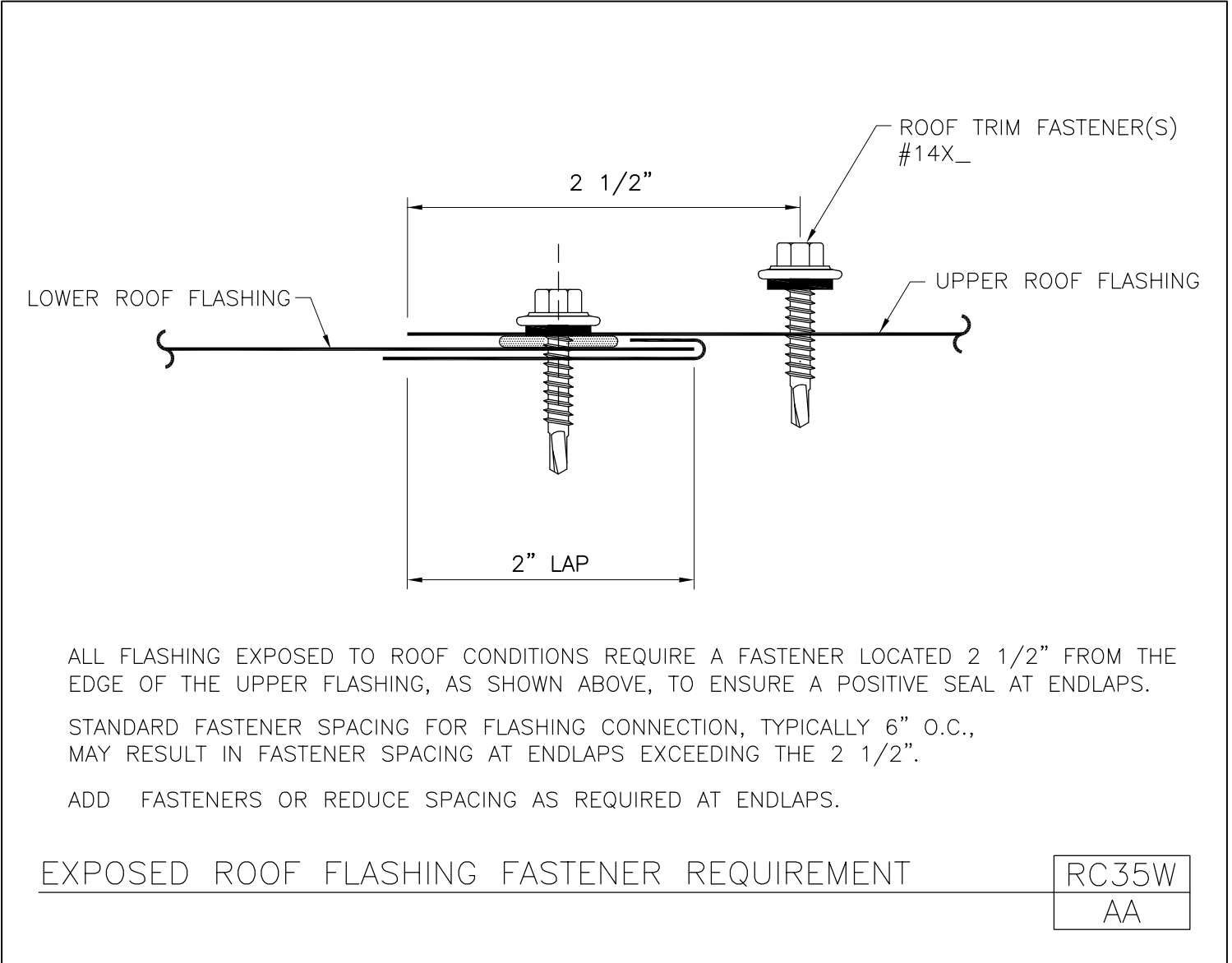


[Download the DWG file by clicking here.](#)

[To Section Index](#)

Exposed Roof Flashing Fastener Requirement

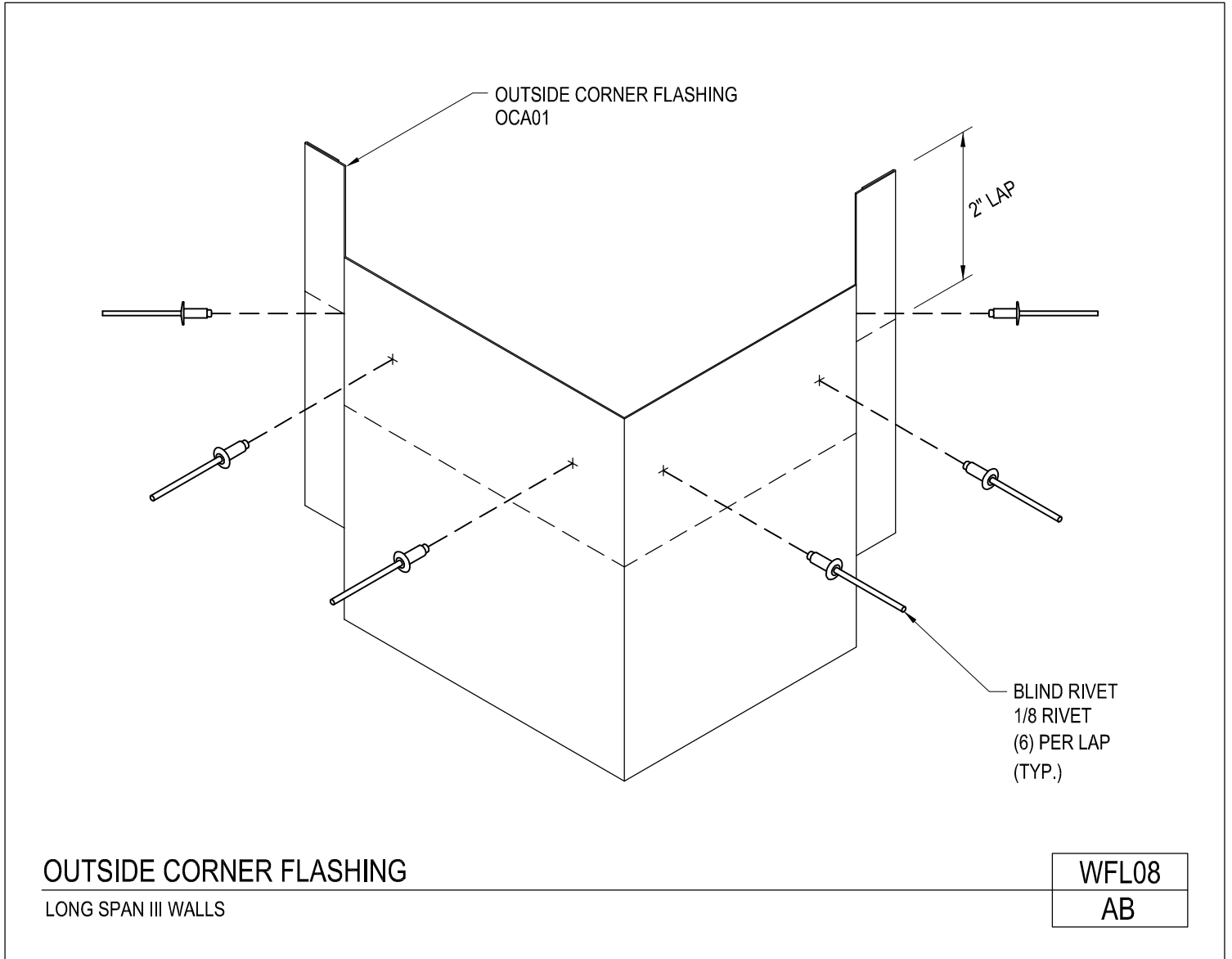
RC35W/AA



[Download the DWG file by clicking here.](#)

[To Section Index](#)

Outside Corner Flashing
Long Span III Walls
WFL08/AB



[Download the DWG file by clicking here.](#)

[To Section Index](#)