

# Product Manual - Gutters and Downspouts

---

EA08/AA, Valley Gutter Detail  
EA08C/AA, Valley Gutter Detail  
EA08CA/SA, Valley Gutter Detail  
EA08F/AA, Valley Gutter Detail  
EA08/SA, Valley Gutter Detail  
EA09/AA, Valley Gutter Detail  
EA09C/AA, Valley Gutter Detail  
EA09C/SA, Valley Gutter Detail  
EA09F/AA, Valley Gutter Detail  
EA09/SA, Valley Gutter Detail  
GT01/AA, Downspout Outlet Detail  
GT01W/AA, Downspout Outlet Detail  
GT03/AA, Section Through Downspout  
GT03/AO, Section Through Downspout at Open Sidewall  
GT03W/AA, Section Through Downspout  
GT03W/AO, Section Through Downspout at Open Sidewall  
GT04/AA, Rivet Locations at Downspout Lap or Elbow  
GT04W/AA, Rivet Locations at Downspout Lap or Elbow  
GT06/AA, Downspout Schedule  
GT06/AO, Downspout Schedule at Open Sidewall  
GT06W/AA, Downspout Schedule (West Coast)  
GT06W/AO, Downspout Schedule at Open Sidewall  
GT07/AA, Gutter Lap and Gutter Endcap Fastener Detail  
GT08/AA, Downspout Details  
GT08A/AA Downspout with Type "A" Elbows w/ Seam Side A & B  
GT08B/AA Downspout "S" and Type "A" Elbow w/ Seam Side B  
GT08BA/AA Downspout "S" and Type "A" Elbow (Inset/Outset)  
GT08BB/AA Type "B" Elbow w/SS A orB (Curves w/face of Wall)  
GT08W/AA, Downspout Details  
GT10/AA, Downspout Outlet Detail  
GT12/AA, Section Through Downspout  
GT12/AO, Section Through Downspout at Open Sidewall  
GT13/AA, Rivet Locations at Downspout Lap or Elbow  
GT14/AA, Oversize Gutter Lap and Gutter Endcap Fastener Detail  
GT15/AA, Downspout Details  
GT17/AA, Oversize Gutter and Downspout Notes  
GT18/AA, Oversize Gutter Clip Placement Detail

GT18A/AA, Gutter Clip Placement Detail

GT19/AA, Oversize Gutter Detail at Corner

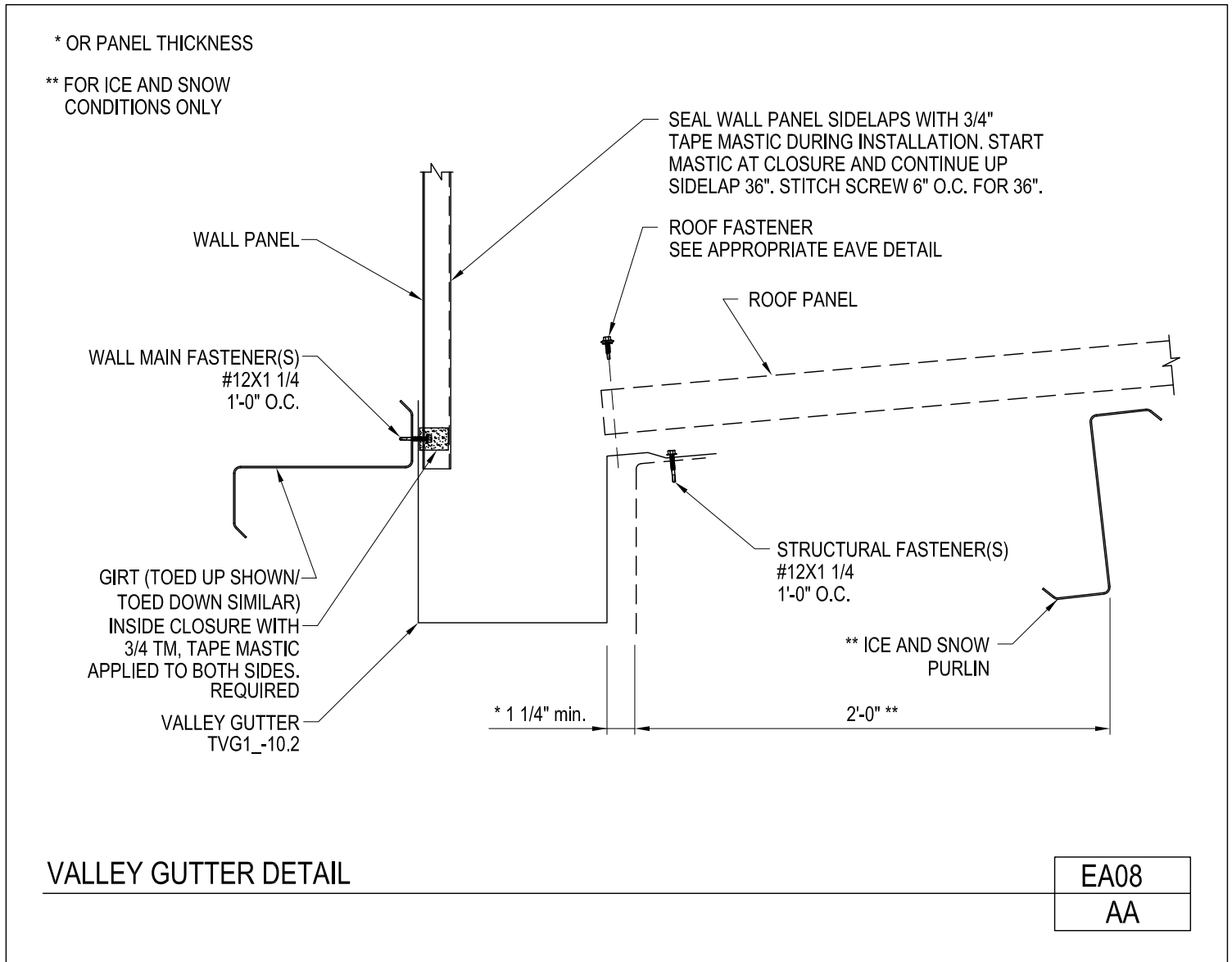
GT19/AO, Oversize Gutter Detail at Corner at Open Sidewall

WGT06/AA, Downspout Schedule

WGT06/AO, Downspout Schedule

Valley Gutter Detail

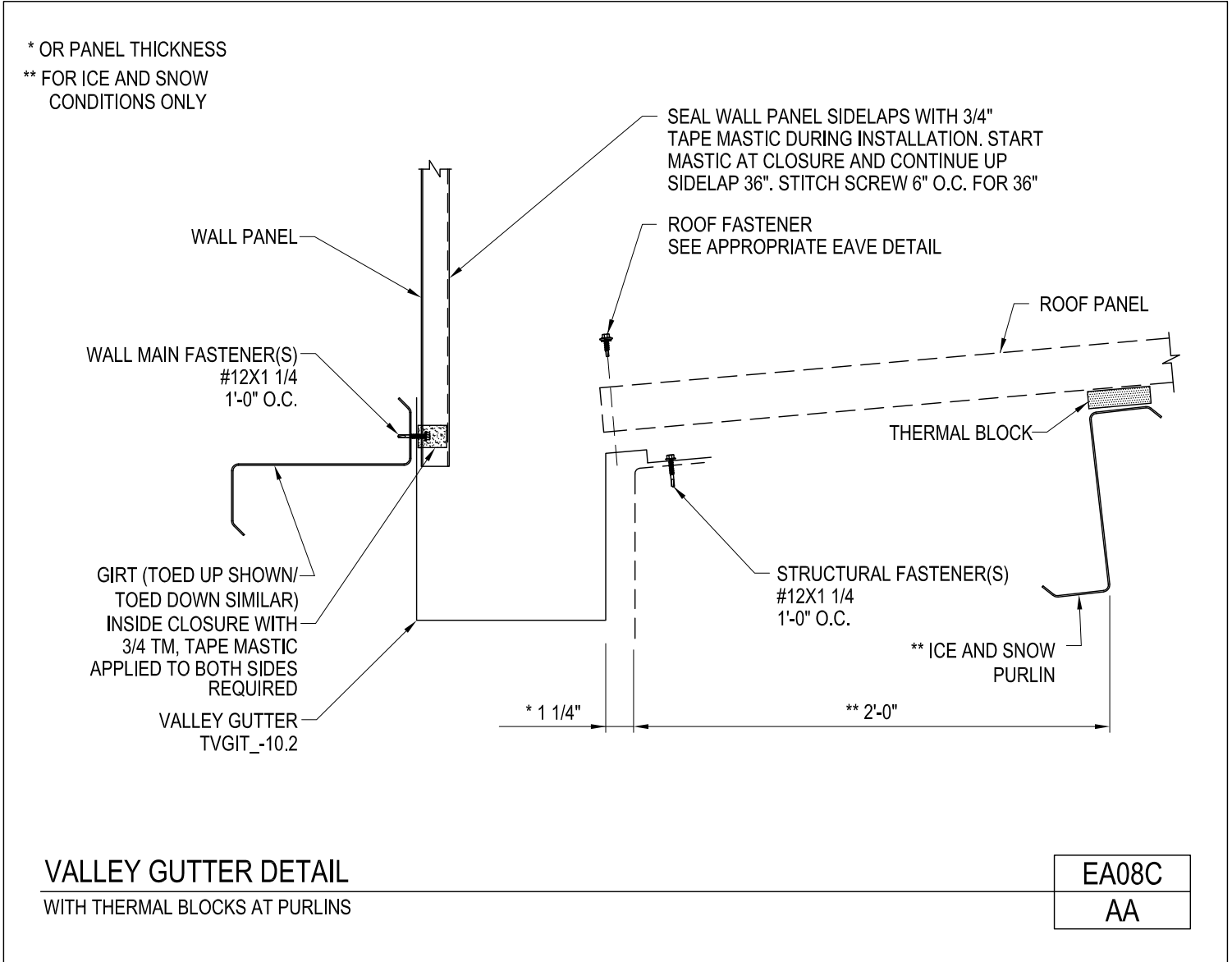
EA08/AA



[Download the DWG file by clicking here.](#)

[To Section Index](#)

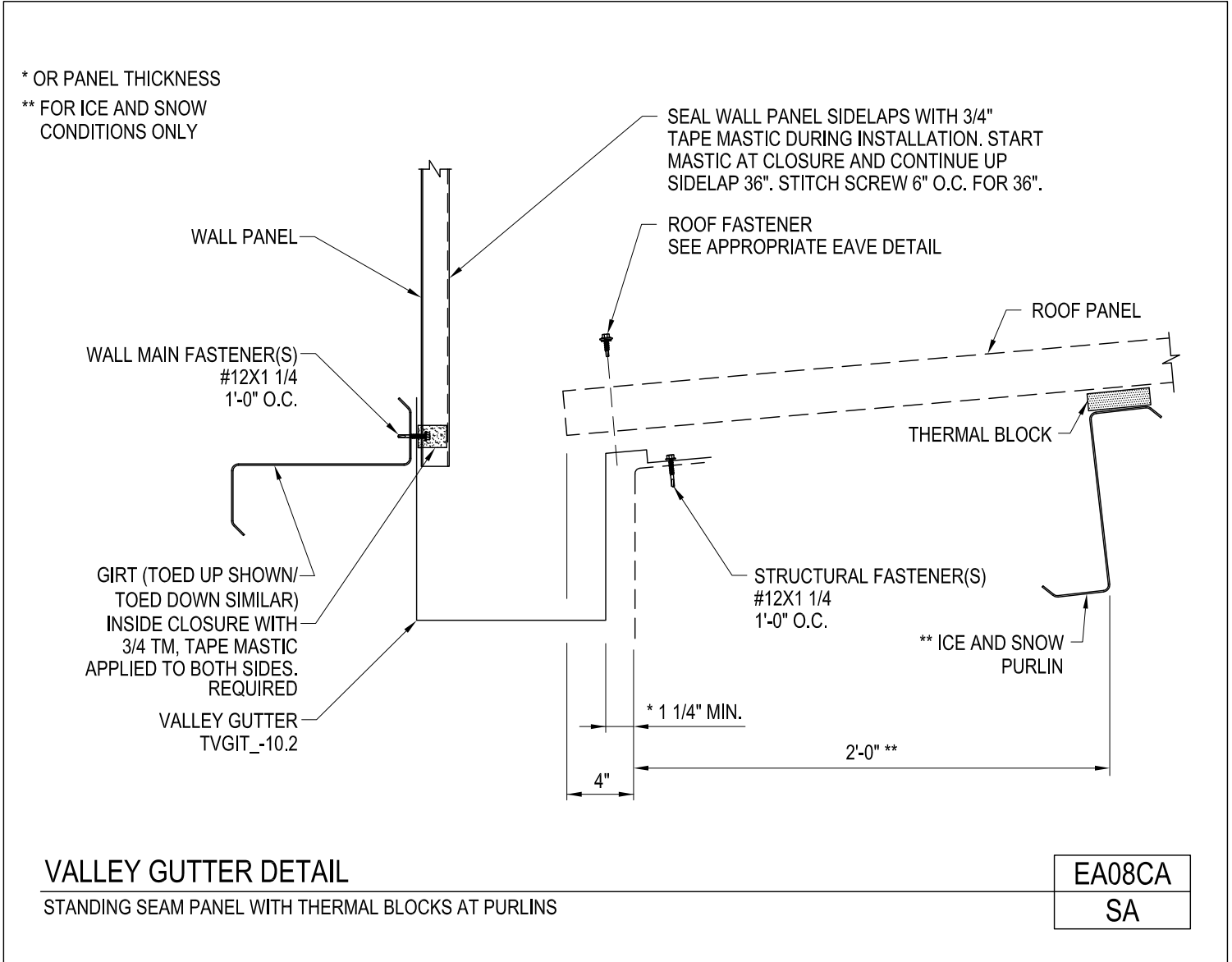
Valley Gutter Detail  
With Thermal Blocks  
EA08C/AA



[Download the DWG file by clicking here.](#)

[To Section Index](#)

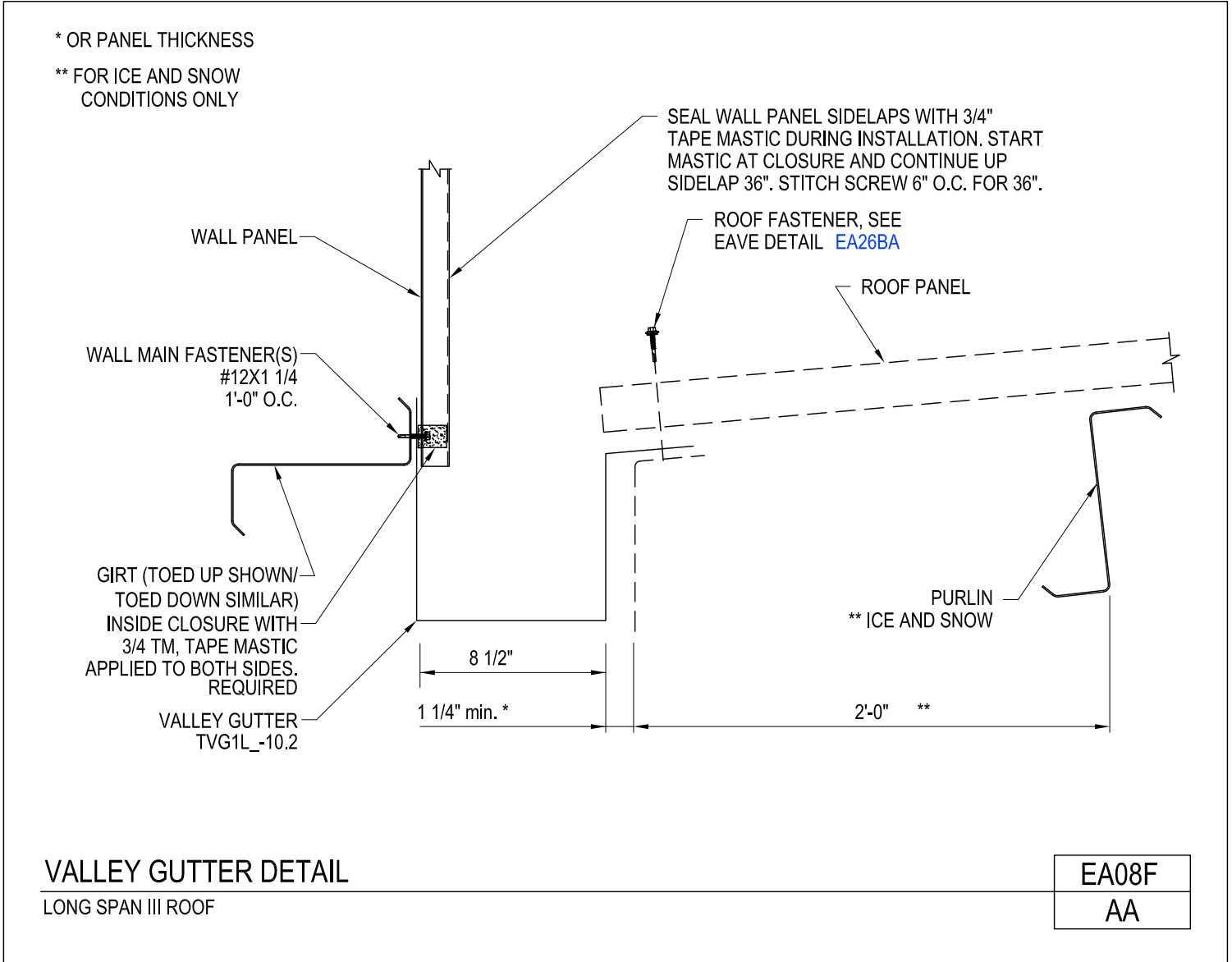
Valley Gutter Detail  
Standing Seam Panel With Thermal Blocks  
EA08CA/SA



[Download the DWG file by clicking here.](#)

[To Section Index](#)

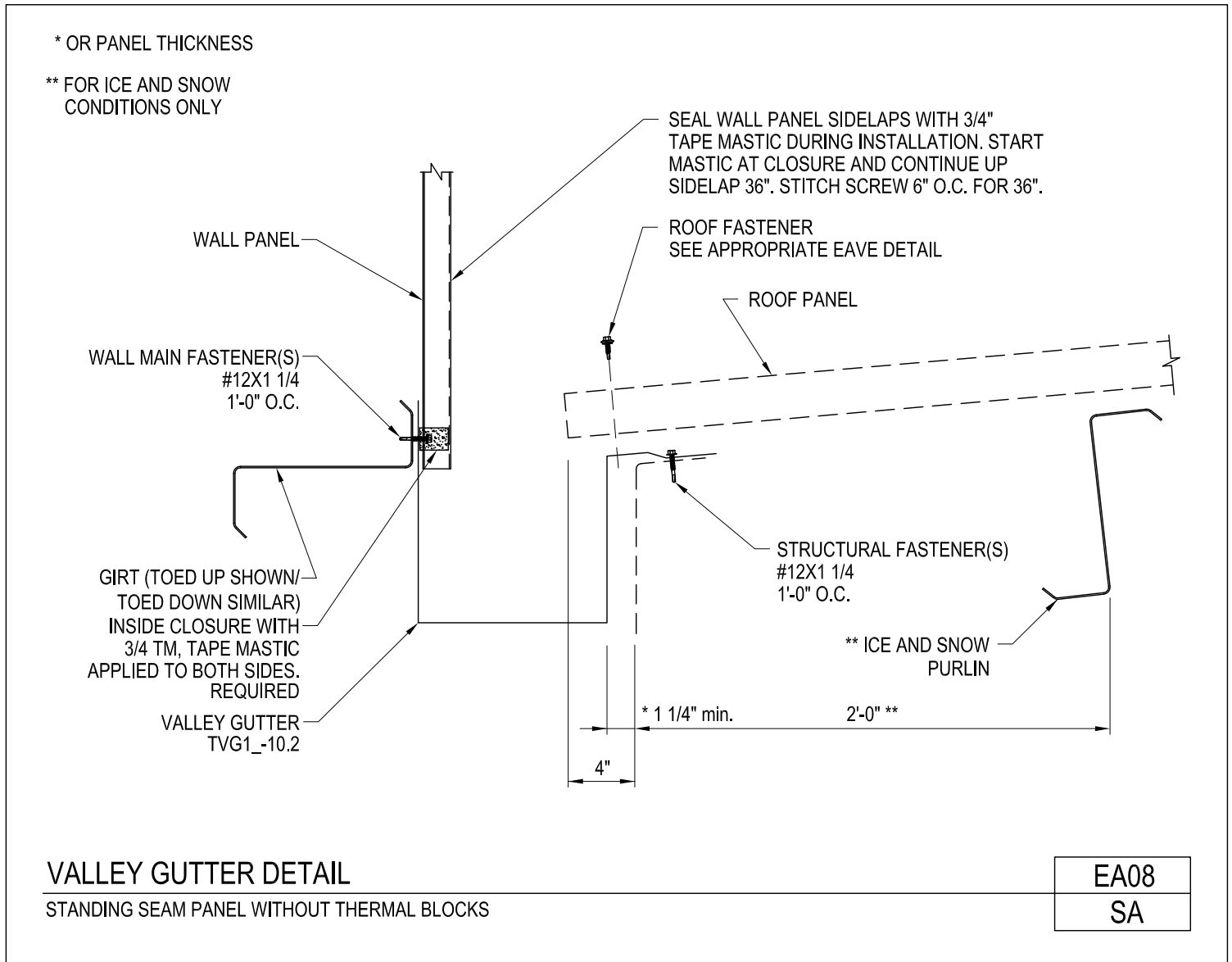
Valley Gutter Detail  
Long Span III Roof  
EA08F/AA



[Download the DWG file by clicking here.](#)

[To Section Index](#)

Valley Gutter Detail  
Standing Seam Panel Without Thermal Blocks  
EA08/SA

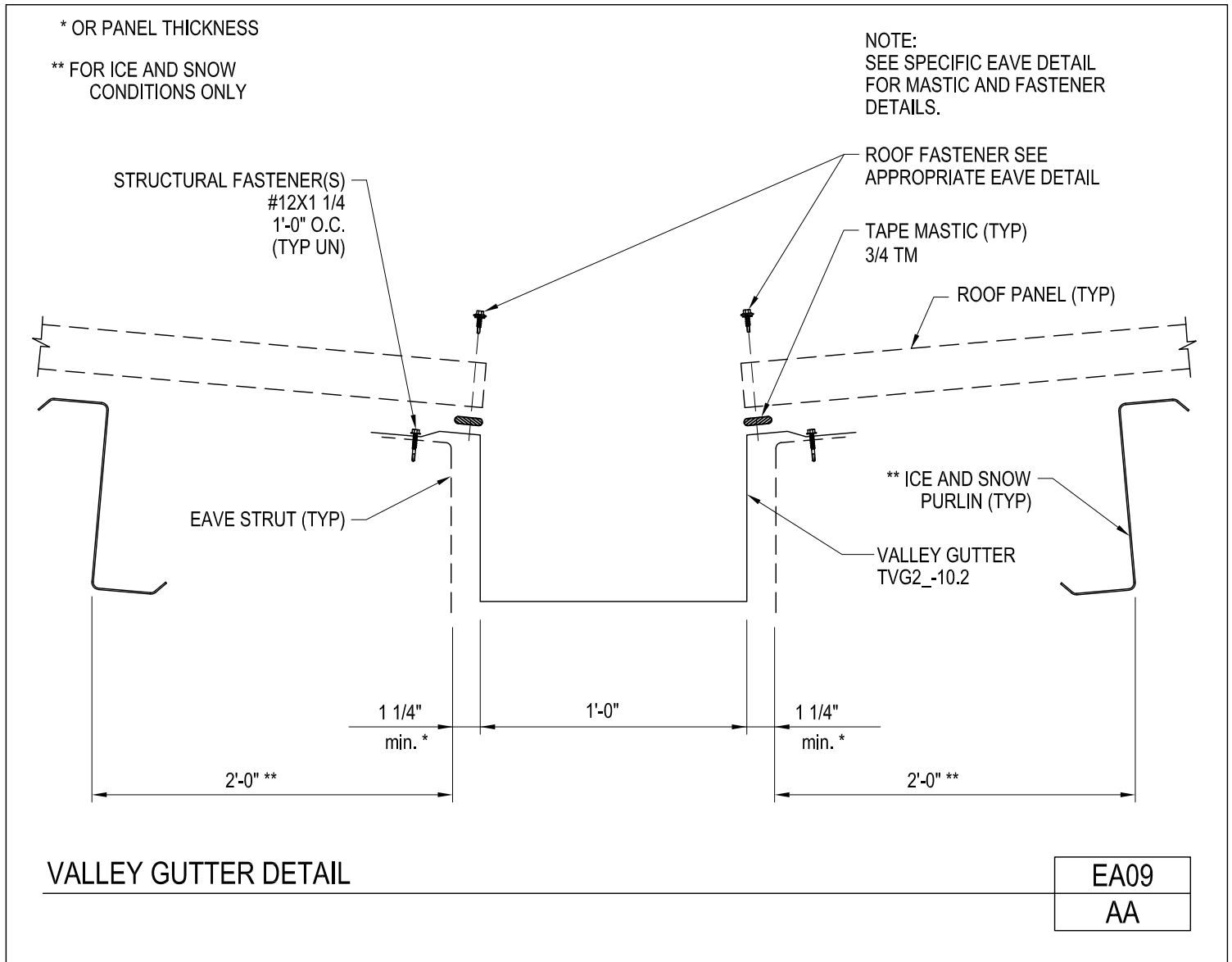


[Download the DWG file by clicking here.](#)

[To Section Index](#)

Valley Gutter Detail

EA09/AA

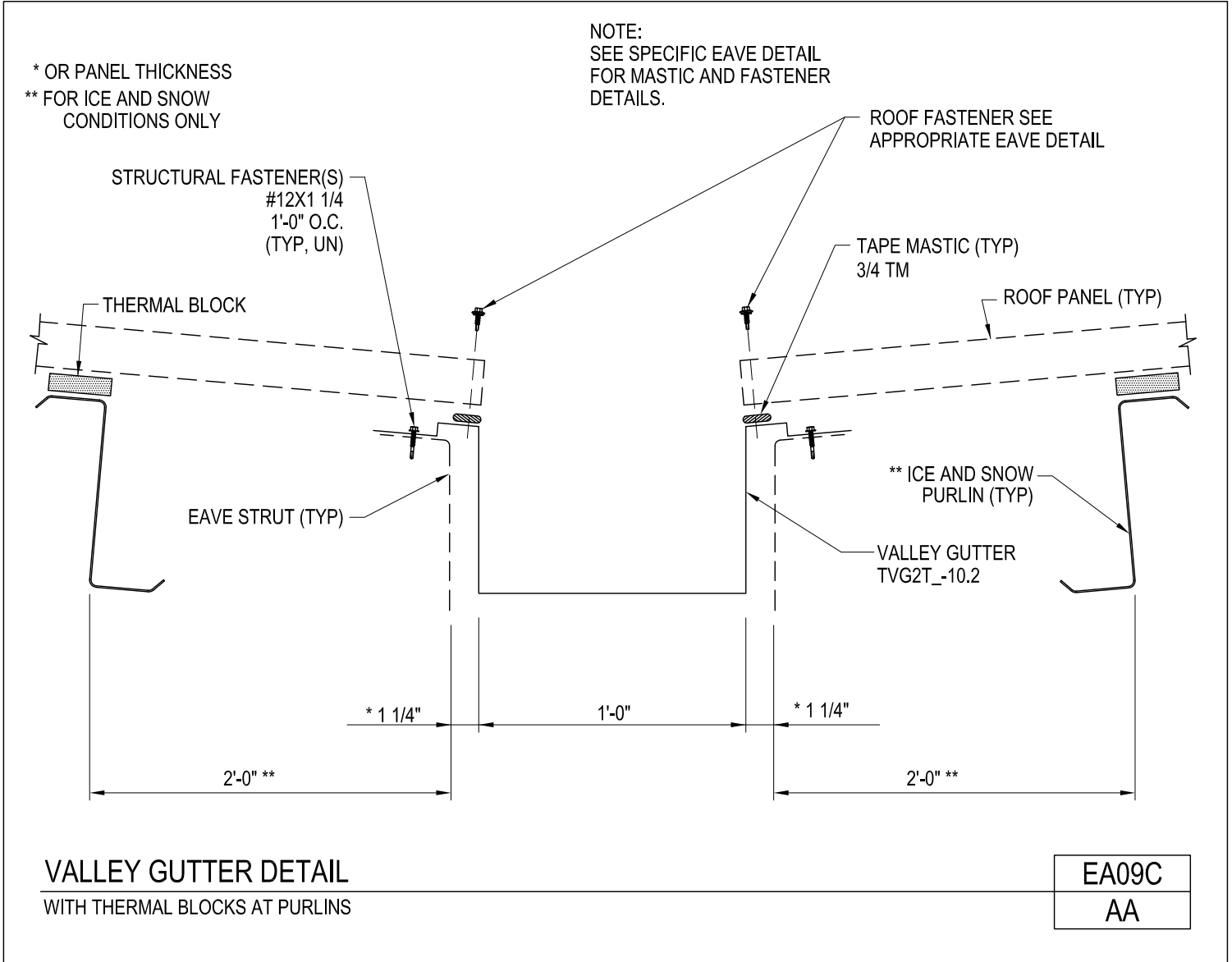


[Download the DWG file by clicking here.](#)

[To Section Index](#)



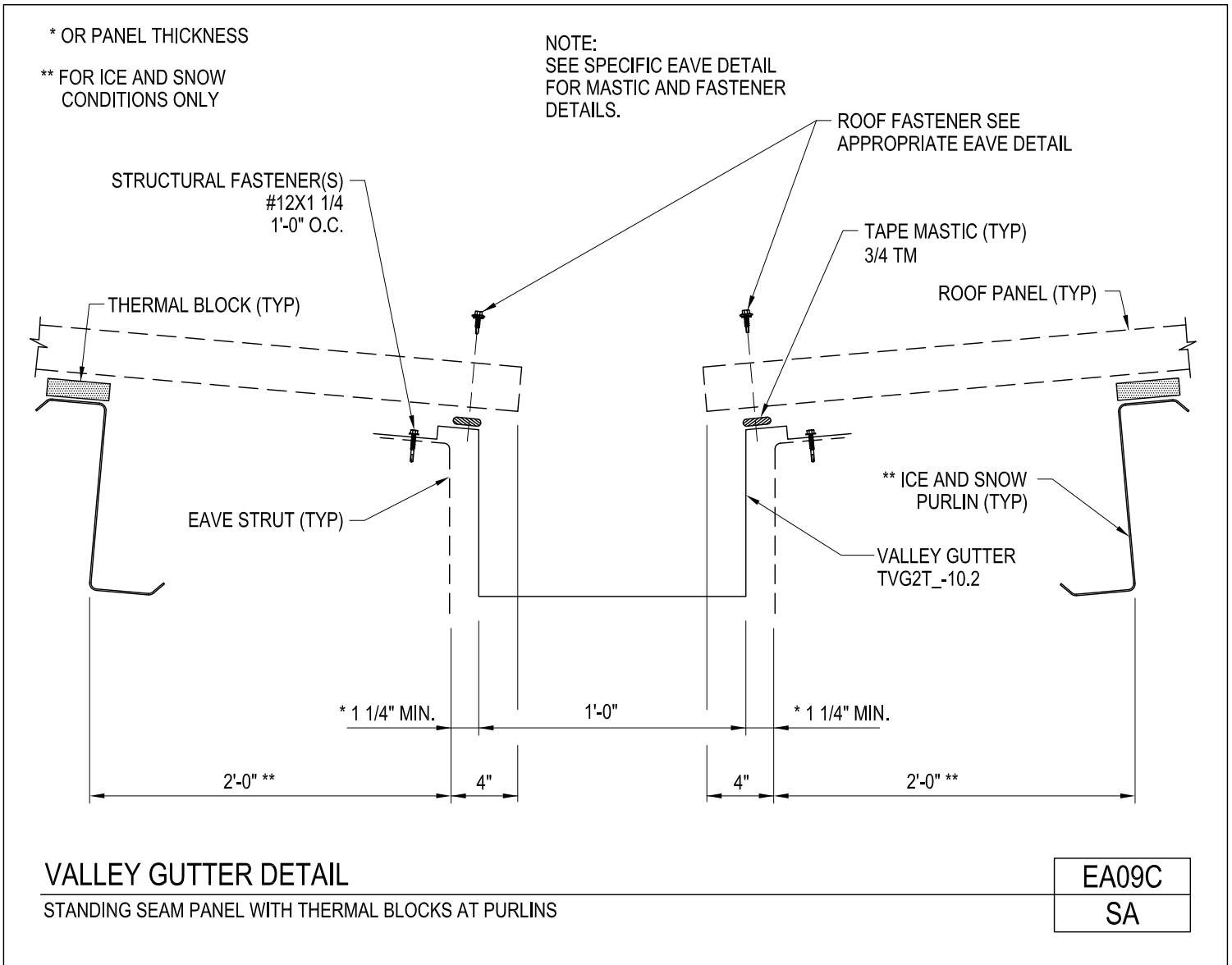
Valley Gutter Detail  
With Thermal Blocks  
EA09C/AA



[Download the DWG file by clicking here.](#)

[To Section Index](#)

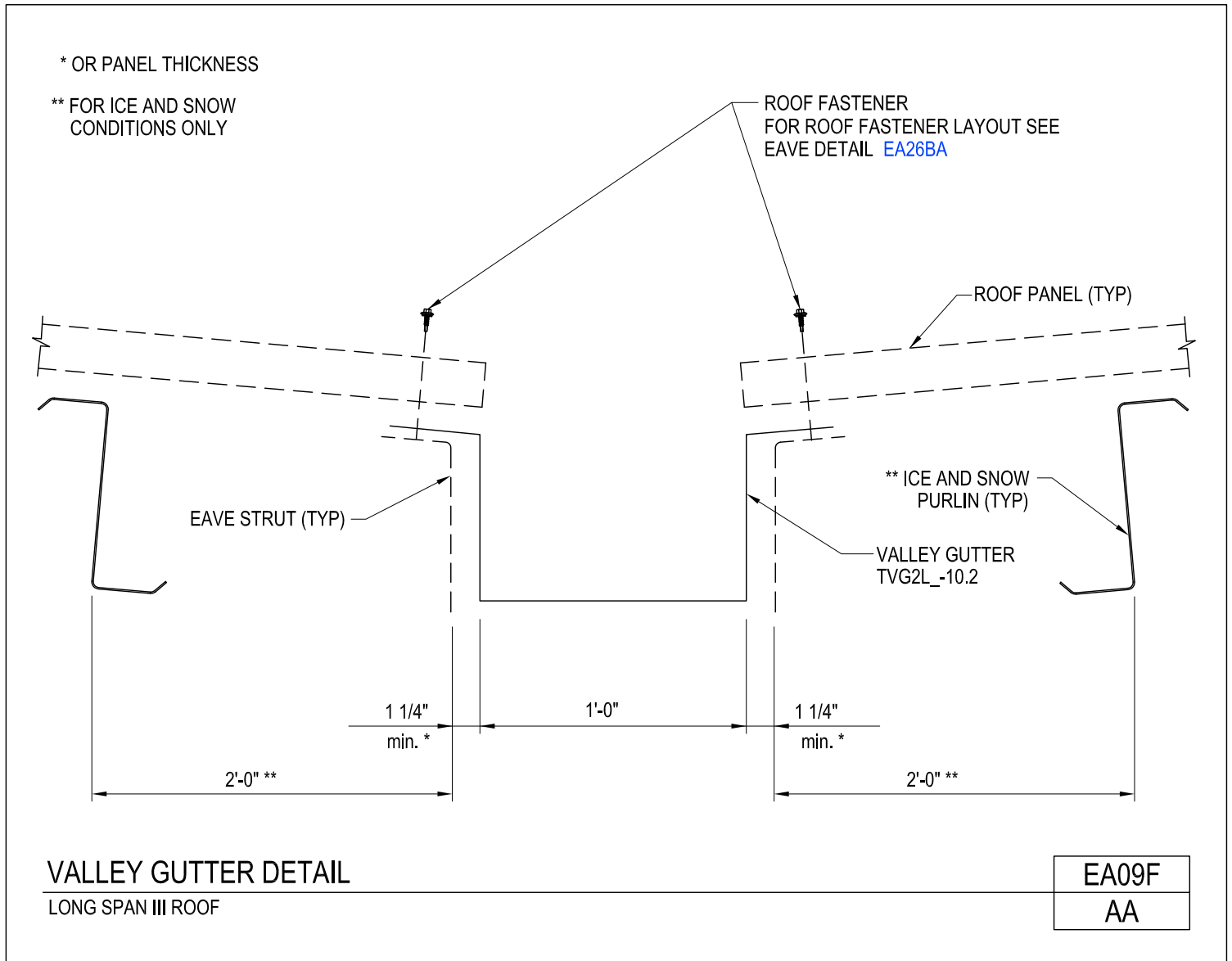
Valley Gutter Detail  
Standing Seam Panel With Thermal Blocks  
EA09C/SA



[Download the DWG file by clicking here.](#)

[To Section Index](#)

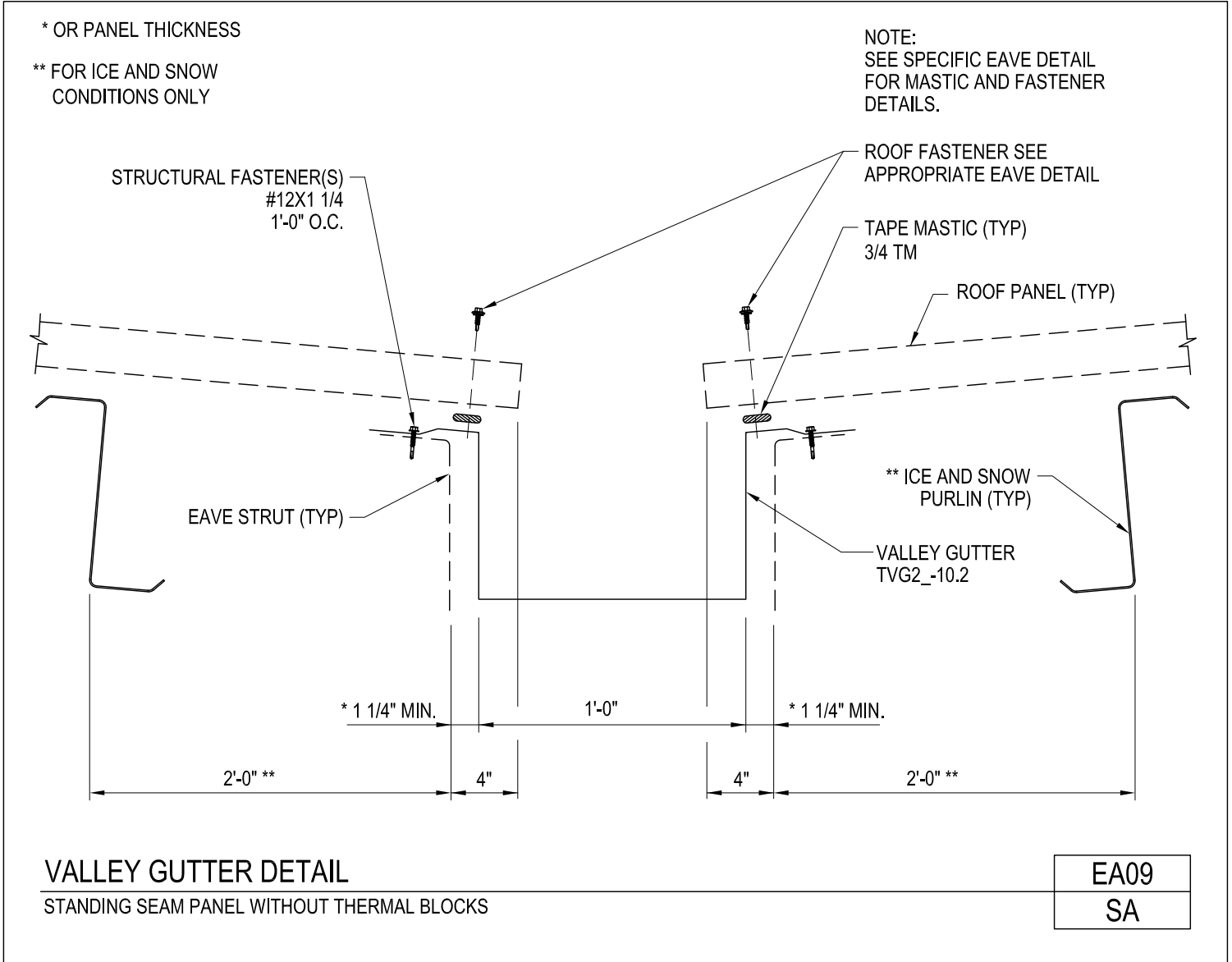
Valley Gutter Detail  
Long Span III Roof  
EA09F/AA



[Download the DWG file by clicking here.](#)

[To Section Index](#)

Valley Gutter Detail  
Standing Seam Panel Without Thermal Blocks  
EA09/SA

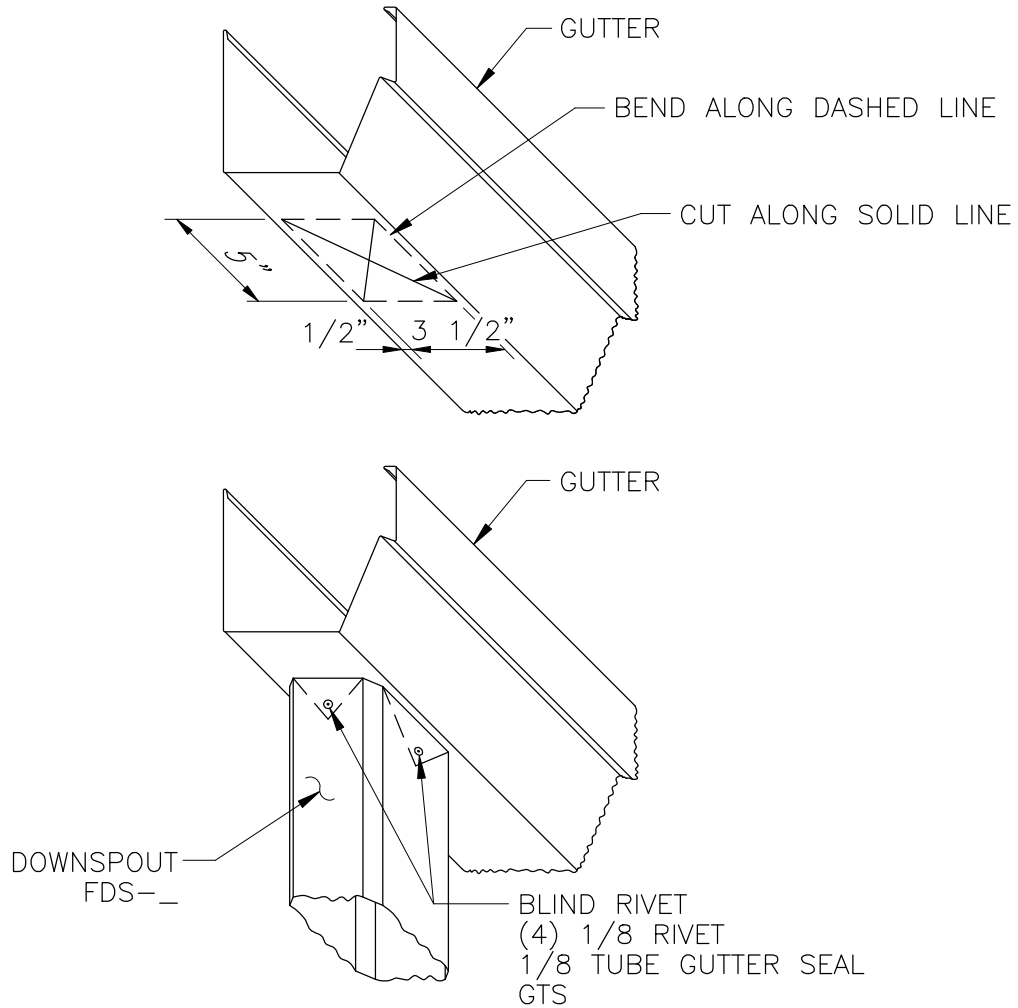


[Download the DWG file by clicking here.](#)

[To Section Index](#)

Downspout Outlet Detail

GT01/AA



DOWNSPOUT OUTLET DETAIL

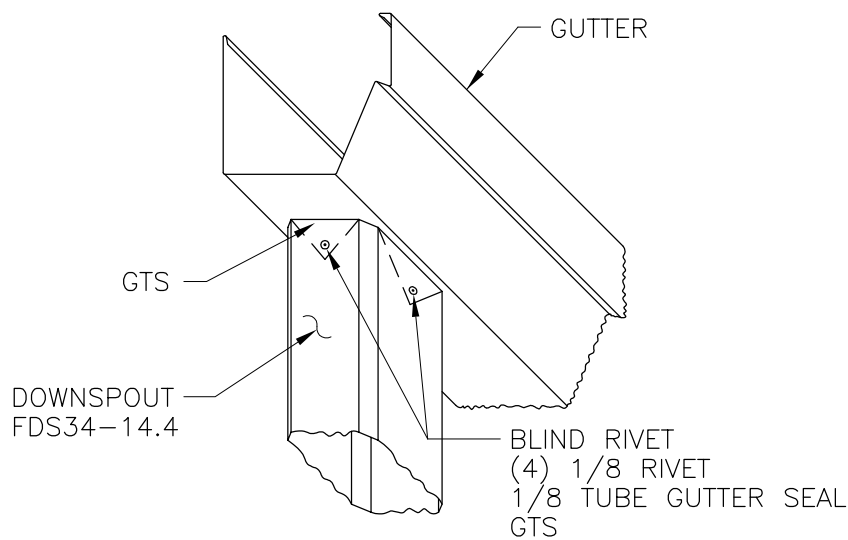
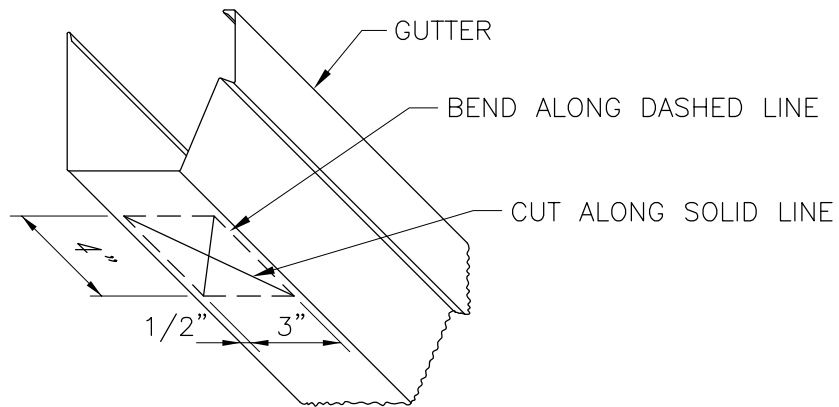
GT01
AA

[Download the DWG file by clicking here.](#)

[To Section Index](#)

Downspout Outlet Detail

GT01W/AA



DOWNSPOUT OUTLET DETAIL

GT01W
AA

[Download the DWG file by clicking here.](#)

[To Section Index](#)



**AMERICAN  
BUILDINGS**

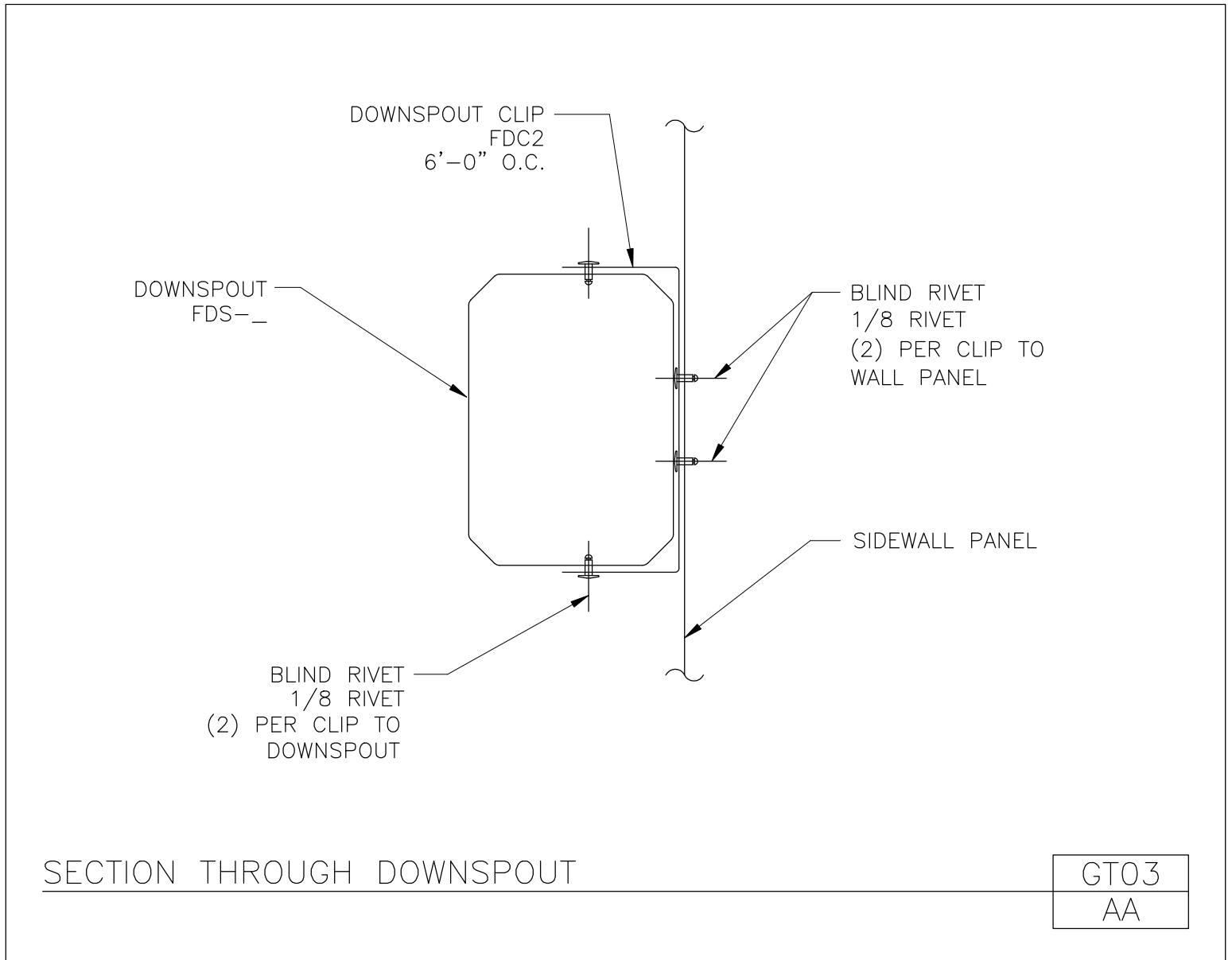
A **NUCOR** COMPANY

# PRODUCT MANUAL

GUTTERS AND DOWNSPOUTS

## Section Through Downspout

GT03/AA



[Download the DWG file by clicking here.](#)

[To Section Index](#)

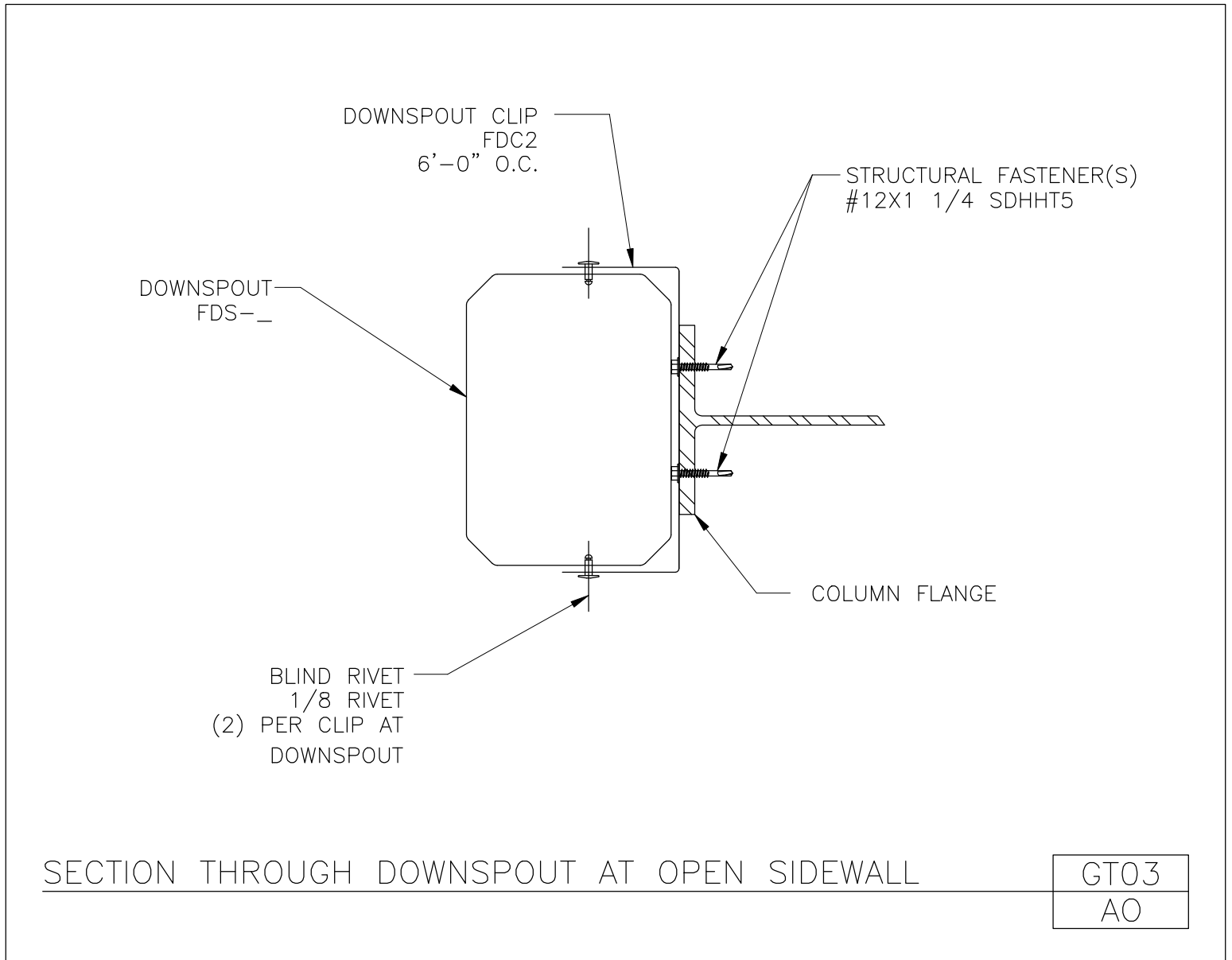


**AMERICAN  
BUILDINGS**

A **NUCOR** COMPANY

Section Through Downspout at Open Sidewall

GT03/AO



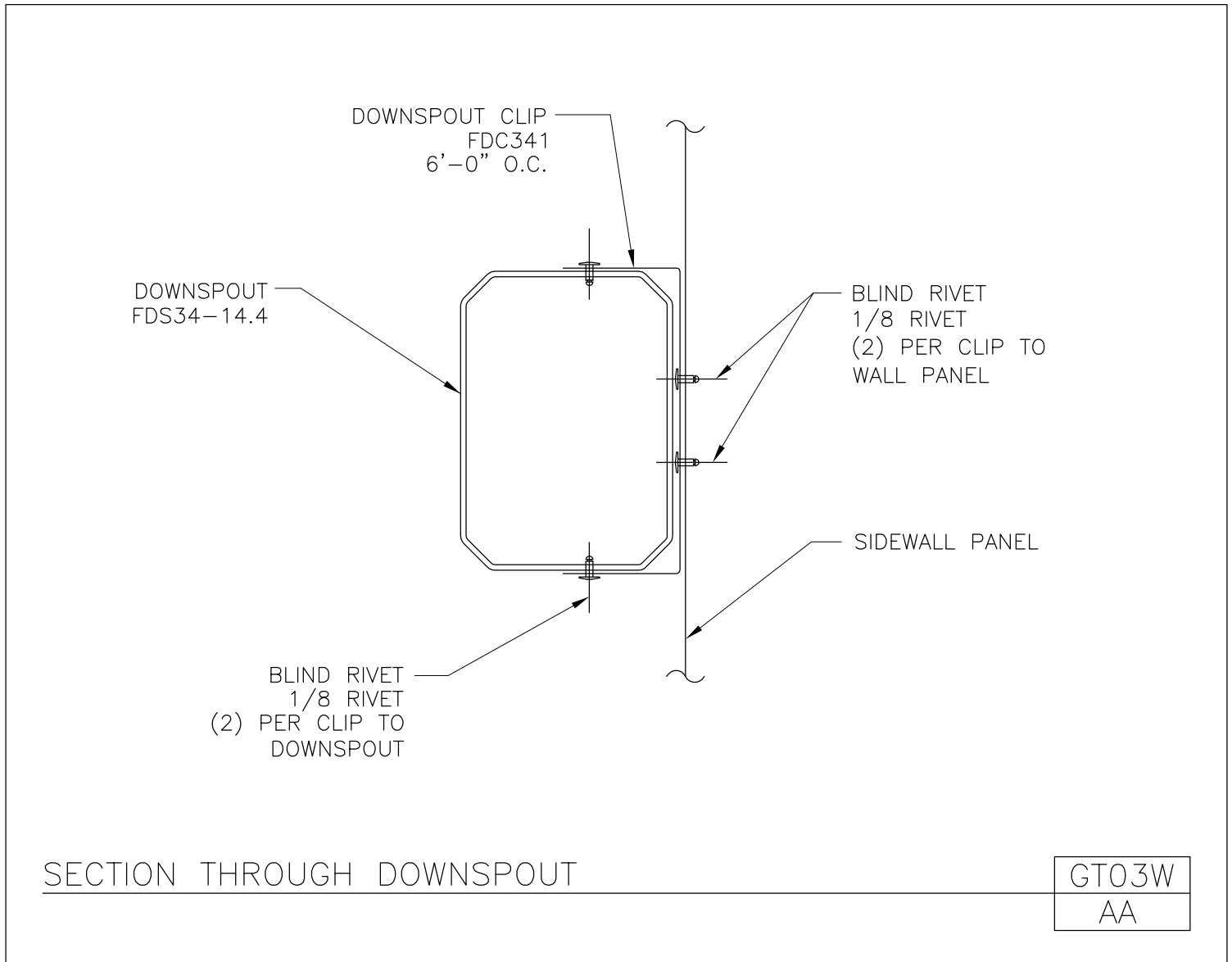
[Download the DWG file by clicking here.](#)

[To Section Index](#)



Section Through Downspout

GT03W/AA

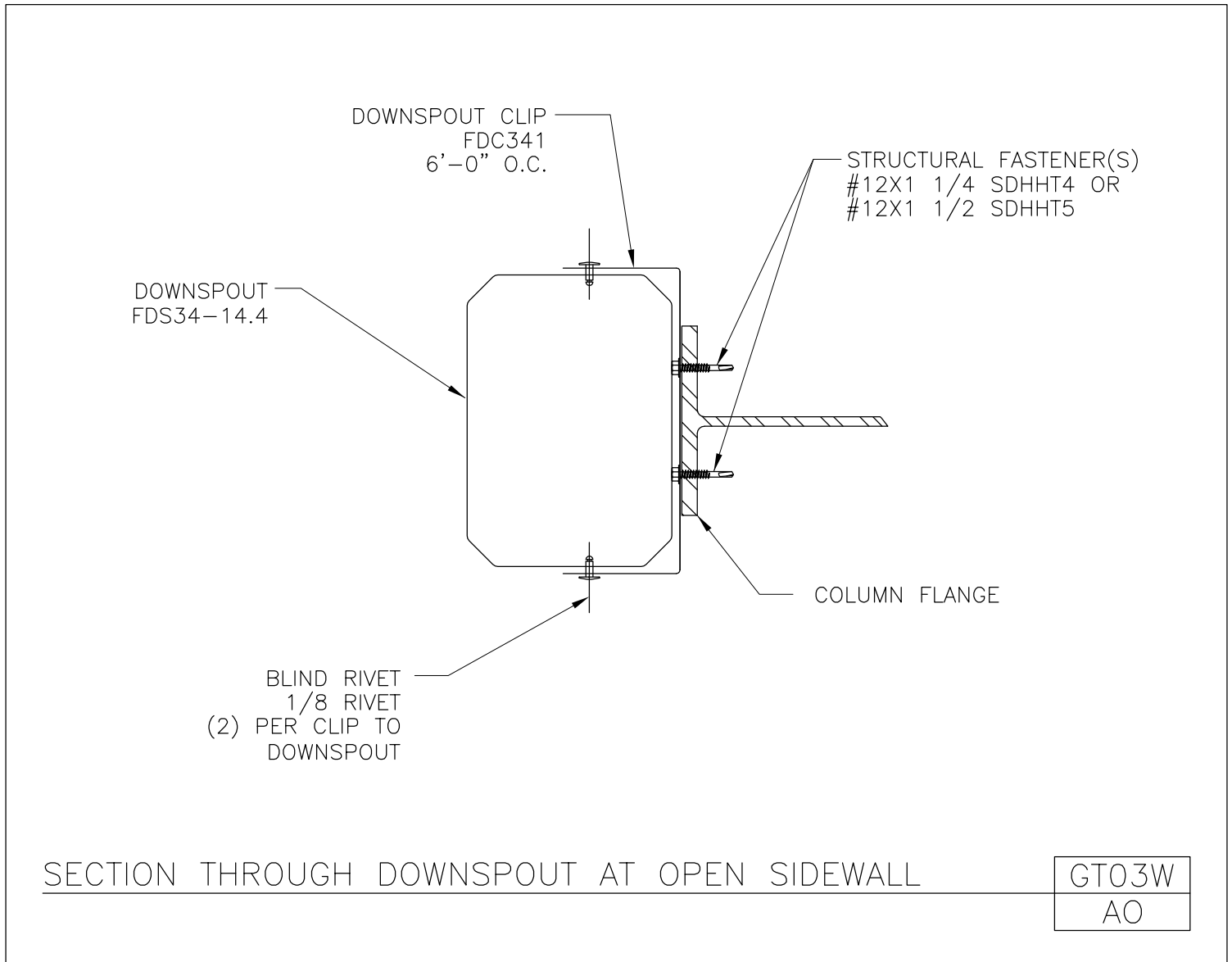


[Download the DWG file by clicking here.](#)

[To Section Index](#)

Section Through Downspout at Open Sidewall

GT03W/AO

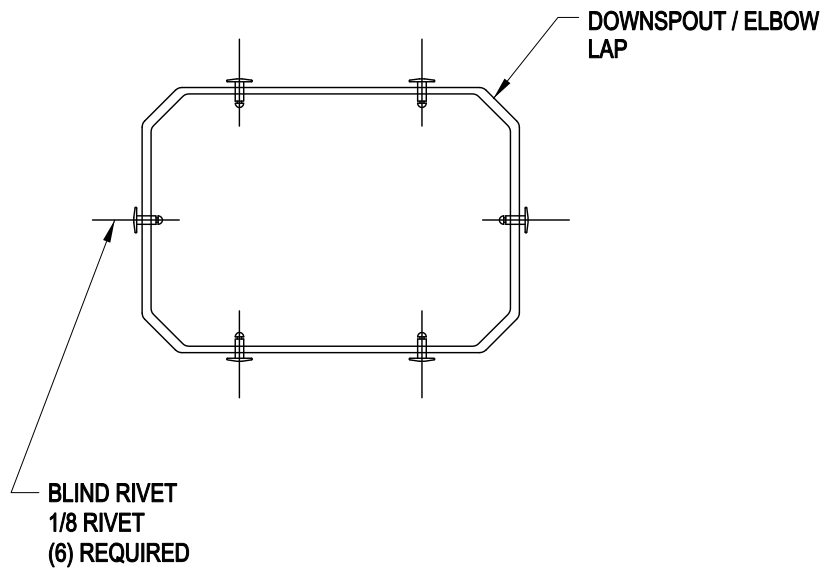


[Download the DWG file by clicking here.](#)

[To Section Index](#)

## Rivet Locations at Downspout / Elbow Lap

GT04/AA



**RIVET LOCATIONS AT DOWNSPOUT / ELBOW LAP**

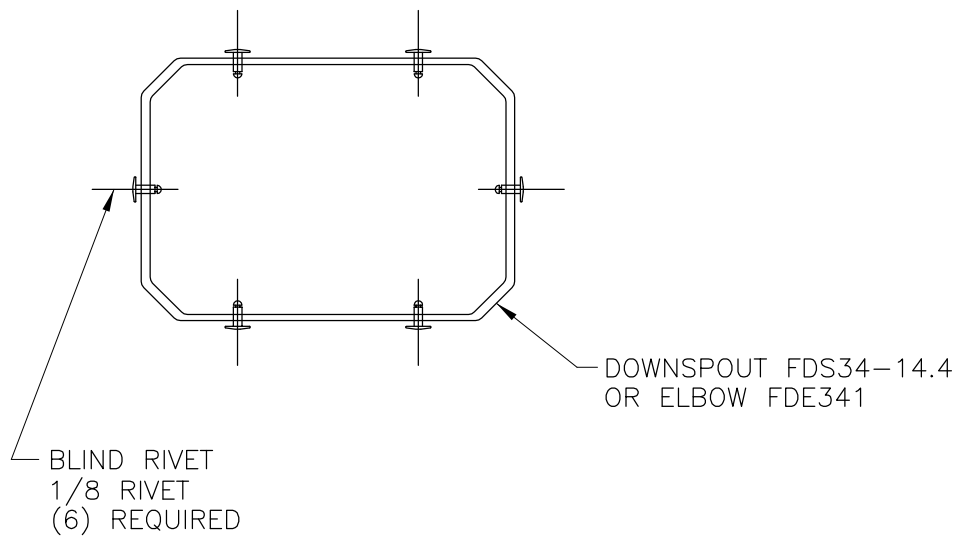
GT04
AA

[Download the DWG file by clicking here.](#)

[To Section Index](#)

## Rivet Locations at Downspout Lap or Elbow

GT04W/AA



RIVET LOCATIONS AT DOWNSPOUT LAP OR ELBOW

GT04W
AA

[Download the DWG file by clicking here.](#)

[To Section Index](#)

Downspout Schedule

GT06/AA

EAVE	DOWNSPOUTS	DOWNSPOUT CLIPS (FDC2)
10'	1 PC. FDS-14.4 & 1 PC. FDE2	2
12'	1 PC. FDS-14.4 & 1 PC. FDE2	2
14'	1 PC. FDS-14.4 & 1 PC. FDE2	3
16'	1 1/2 PC. FDS-14.4 & 1 PC. FDE2	3
18'	1 1/2 PC. FDS-14.4 & 1 PC. FDE2	4
20'	1 1/2 PC. FDS-14.4 & 1 PC. FDE2	4
22'	1 1/2 PC. FDS-14.4 & 1 PC. FDE2	4
24'	2 PC. FDS-14.4 & 1 PC. FDE2	5
26'	2 PC. FDS-14.4 & 1 PC. FDE2	5
28'	2 PC. FDS-14.4 & 1 PC. FDE2	6
30'	2 1/2 PC. FDS-14.4 & 1 PC. FDE2	6
32'	2 1/2 PC. FDS-14.4 & 1 PC. FDE2	6
34'	2 1/2 PC. FDS-14.4 & 1 PC. FDE2	7
36'	2 1/2 PC. FDS-14.4 & 1 PC. FDE2	7
38'	3 PC. FDS-14.4 & 1 PC. FDE2	8
40'	3 PC. FDS-14.4 & 1 PC. FDE2	8

DOWNSPOUT SCHEDULE

GT06
AA

[Download the DWG file by clicking here.](#)

[To Section Index](#)

Downspout Schedule at Open Sidewall

GT06/AO

EAVE	DOWNSPOUTS	DOWNSPOUT CLIPS (FDC2)
10'	1 PC. FDS-14.4 & 3 PC. FDE2	2
12'	1 PC. FDS-14.4 & 3 PC. FDE2	2
14'	1 PC. FDS-14.4 & 3 PC. FDE2	3
16'	1 1/2 PC. FDS-14.4 & 3 PC. FDE2	3
18'	1 1/2 PC. FDS-14.4 & 3 PC. FDE2	4
20'	1 1/2 PC. FDS-14.4 & 3 PC. FDE2	4
22'	1 1/2 PC. FDS-14.4 & 3 PC. FDE2	4
24'	2 PC. FDS-14.4 & 3 PC. FDE2	5
26'	2 PC. FDS-14.4 & 3 PC. FDE2	5
28'	2 PC. FDS-14.4 & 3 PC. FDE2	6
30'	2 1/2 PC. FDS-14.4 & 3 PC. FDE2	6
32'	2 1/2 PC. FDS-14.4 & 3 PC. FDE2	6
34'	2 1/2 PC. FDS-14.4 & 3 PC. FDE2	7
36'	2 1/2 PC. FDS-14.4 & 3 PC. FDE2	7
38'	3 PC. FDS-14.4 & 3 PC. FDE2	8
40'	3 PC. FDS-14.4 & 3 PC. FDE2	8

DOWNSPOUT SCHEDULE AT OPEN SIDEWALL

GT06
AO

[Download the DWG file by clicking here.](#)

[To Section Index](#)

Downspout Schedule (West Coast)

GT06W/AA

EAVE	DOWNSPOUTS	DOWNSPOUT CLIPS (FDC341)
10'	1 PC. FDS34-14.4 & 1 PC. FDE341	2
12'	1 PC. FDS34-14.4 & 1 PC. FDE341	2
14'	1 PC. FDS34-14.4 & 1 PC. FDE341	3
16'	1 1/2 PC. FDS34-14.4 & 1 PC. FDE341	3
18'	1 1/2 PC. FDS34-14.4 & 1 PC. FDE341	4
20'	1 1/2 PC. FDS34-14.4 & 1 PC. FDE341	4
22'	1 1/2 PC. FDS34-14.4 & 1 PC. FDE341	4
24'	2 PC. FDS34-14.4 & 1 PC. FDE341	5
26'	2 PC. FDS34-14.4 & 1 PC. FDE341	5
28'	2 PC. FDS34-14.4 & 1 PC. FDE341	6
30'	2 1/2 PC. FDS34-14.4 & 1 PC. FDE341	6
32'	2 1/2 PC. FDS34-14.4 & 1 PC. FDE341	6
34'	2 1/2 PC. FDS34-14.4 & 1 PC. FDE341	7
36'	2 1/2 PC. FDS34-14.4 & 1 PC. FDE341	7
38'	3 PC. FDS34-14.4 & 1 PC. FDE341	8
40'	3 PC. FDS34-14.4 & 1 PC. FDE341	8

DOWNSPOUT SCHEDULE (WEST COAST)

GT06W
AA

[Download the DWG file by clicking here.](#)

[To Section Index](#)

Downspout Schedule at Open Sidewall

GT06W/AO

EAVE	DOWNSPOUTS	DOWNSPOUT CLIPS (FDC341)
10'	1 PC. FDS34-14.4 & 3 PC. FDE341	2
12'	1 PC. FDS34-14.4 & 3 PC. FDE341	2
14'	1 PC. FDS34-14.4 & 3 PC. FDE341	3
16'	1 PC. FDS34-14.4 & 3 PC. FDE341	3
18'	1 1/2 PC. FDS34-14.4 & 3 PC. FDE341	4
20'	1 1/2 PC. FDS34-14.4 & 3 PC. FDE341	4
22'	1 1/2 PC. FDS34-14.4 & 3 PC. FDE341	4
24'	2 PC. FDS34-14.4 & 3 PC. FDE341	5
26'	2 PC. FDS34-14.4 & 3 PC. FDE341	5
28'	2 PC. FDS34-14.4 & 3 PC. FDE341	6
30'	2 PC. FDS34-14.4 & 3 PC. FDE341	6
32'	2 1/2 PC. FDS34-14.4 & 3 PC. FDE341	6
34'	2 1/2 PC. FDS34-14.4 & 3 PC. FDE341	7
36'	2 1/2 PC. FDS34-14.4 & 3 PC. FDE341	7
38'	3 PC. FDS34-14.4 & 3 PC. FDE341	8
40'	3 PC. FDS34-14.4 & 3 PC. FDE341	8

DOWNSPOUT SCHEDULE AT OPEN SIDEWALL

GT06W
AO

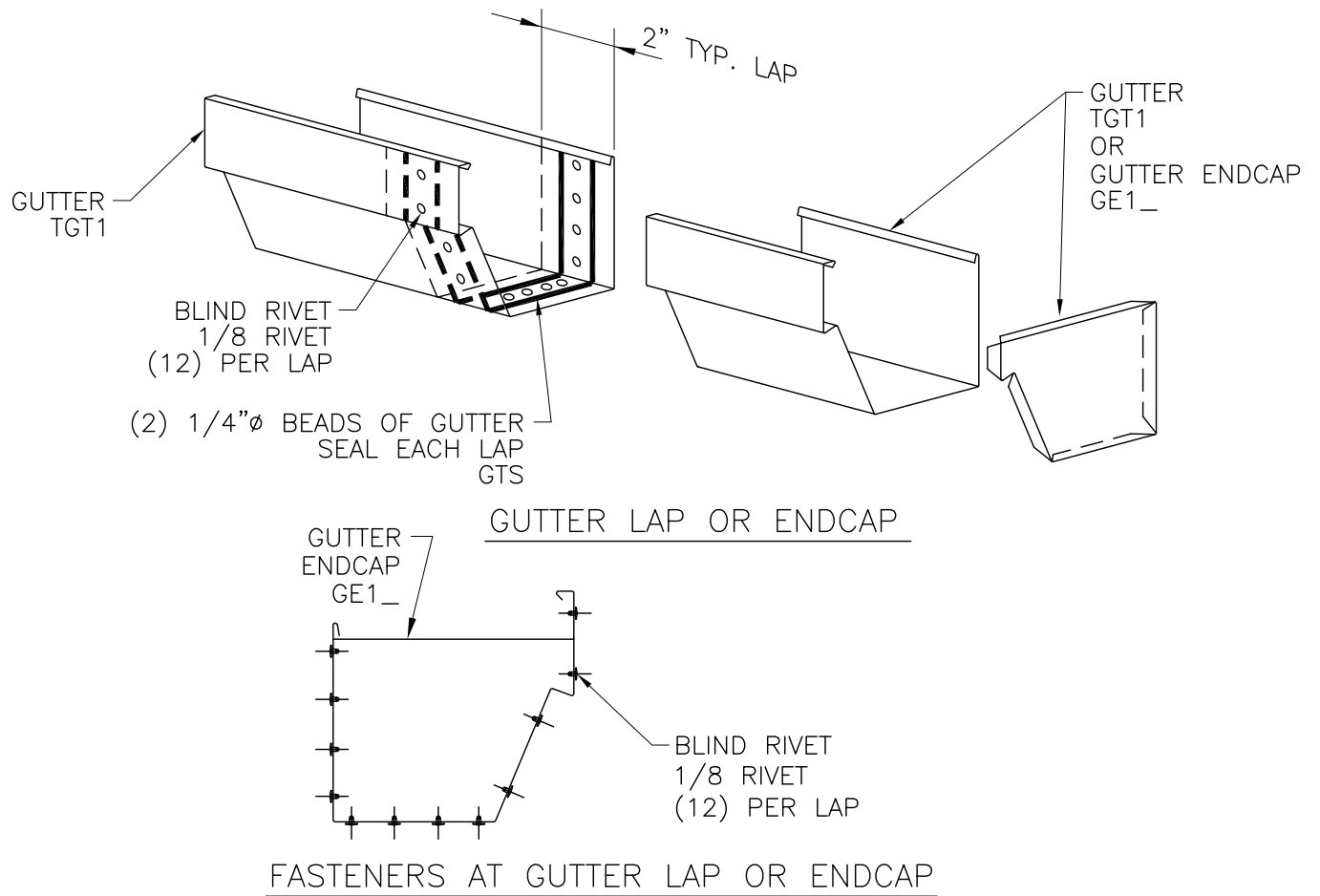
[Download the DWG file by clicking here.](#)

[To Section Index](#)



Gutter Lap and Gutter Endcap Fastener Detail

GT07/AA



GUTTER LAP AND GUTTER ENDCAP FASTENER DETAIL

GT07
AA

[Download the DWG file by clicking here.](#)

[To Section Index](#)



**AMERICAN BUILDINGS**

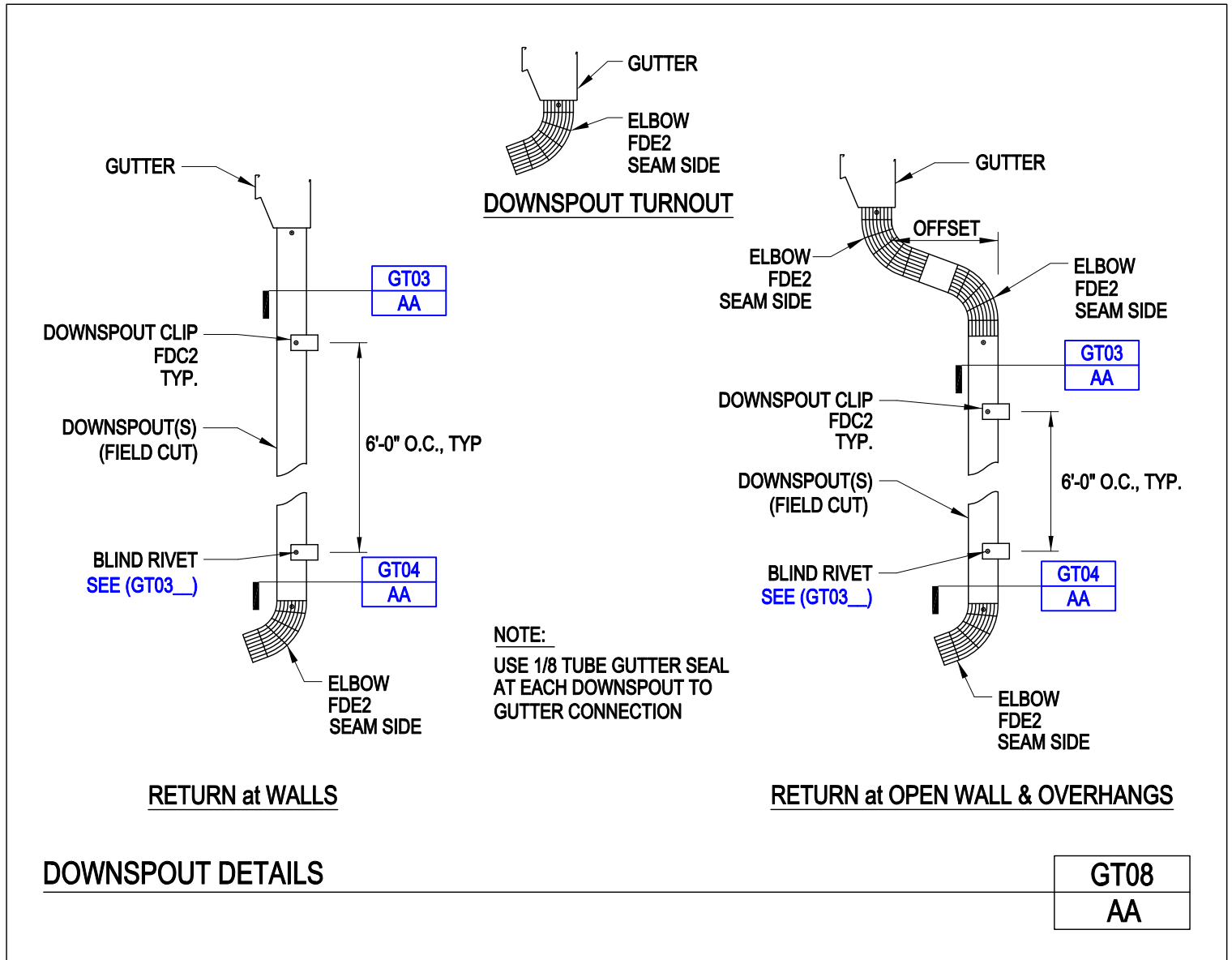
A **NUCOR** COMPANY

# PRODUCT MANUAL

GUTTERS AND DOWNSPOUTS

## Downspout Details

GT08/AA



[Download the DWG file by clicking here.](#)

[To Section Index](#)



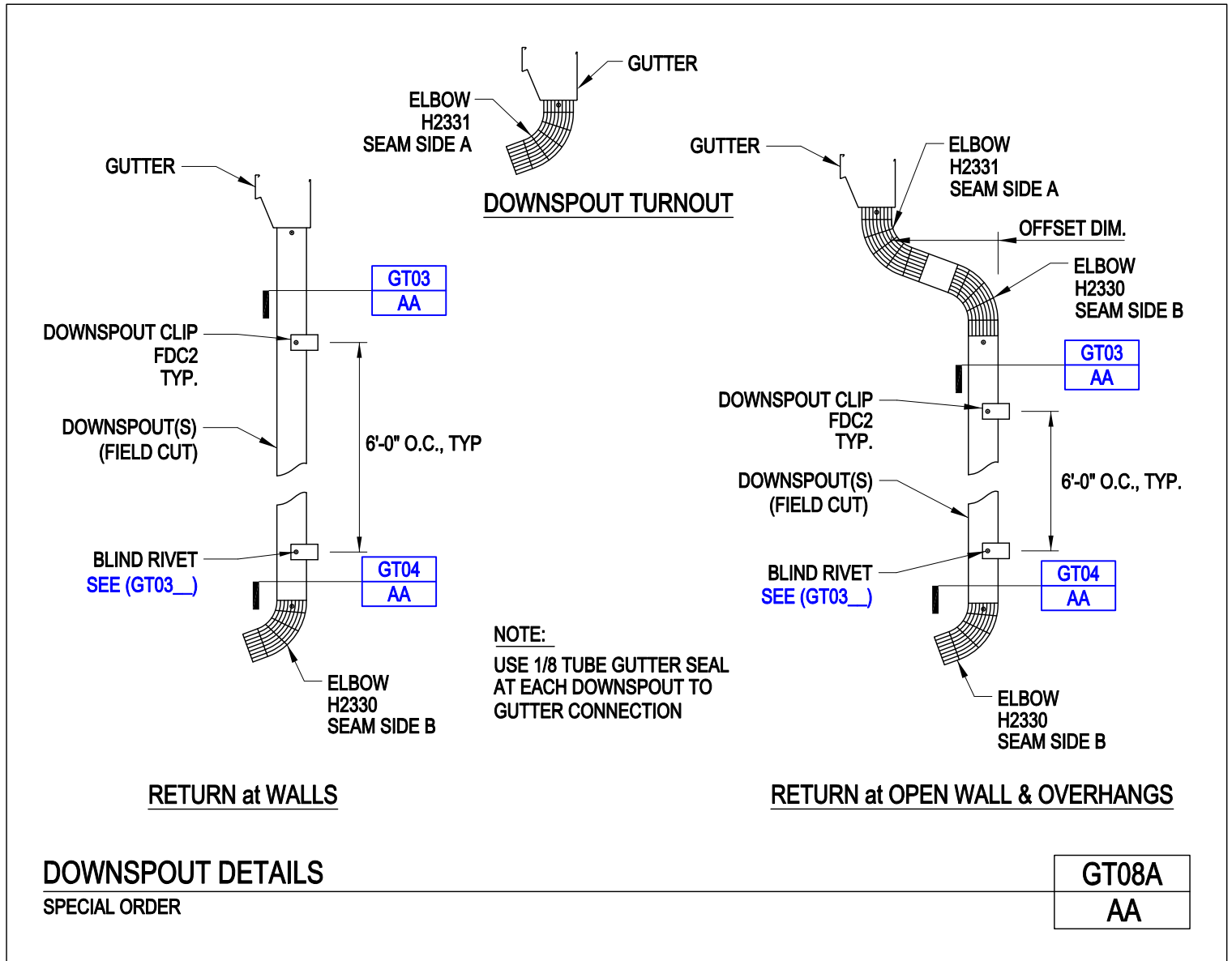
**AMERICAN BUILDINGS**

A **NUCOR** COMPANY

# PRODUCT MANUAL

GUTTERS AND DOWNSPOUTS

Downspout Details  
Special Order  
GT08A/AA



[Download the DWG file by clicking here.](#)

[To Section Index](#)



**AMERICAN BUILDINGS**

A **NUCOR** COMPANY

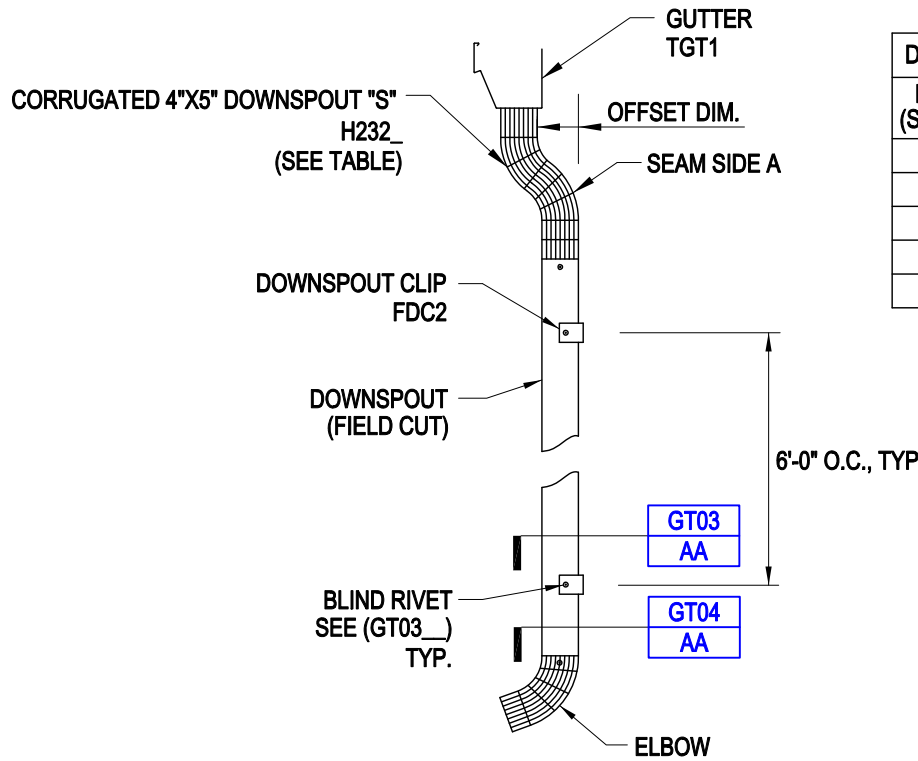
# PRODUCT MANUAL

GUTTERS AND DOWNSPOUTS

Downspout with Corrugated 4"X5" Downspout "S"

Special Order

GT08B/AA



DOWNSPOUT "S" w/ SEAM SIDE A	
PART NUMBER (SPECIAL ORDER)	OFFSET DIM. (RANGE)
H2320	2.50" - 4.50"
H2322	4.75" - 6.50"
H2324	6.75" - 8.50"
H2326	8.75" - 10.50"
H2328	10.75" - 12.75"

**NOTE:**

USE 1/8 BEAD OF GUTTER SEAL AT DOWNSPOUT TO GUTTER CONNECTIONS

**DOWNSPOUT WITH CORRUGATED 4"X5" DOWNSPOUT "S"**

SPECIAL ORDER

**GT08B**

**AA**

[Download the DWG file by clicking here.](#)

[To Section Index](#)

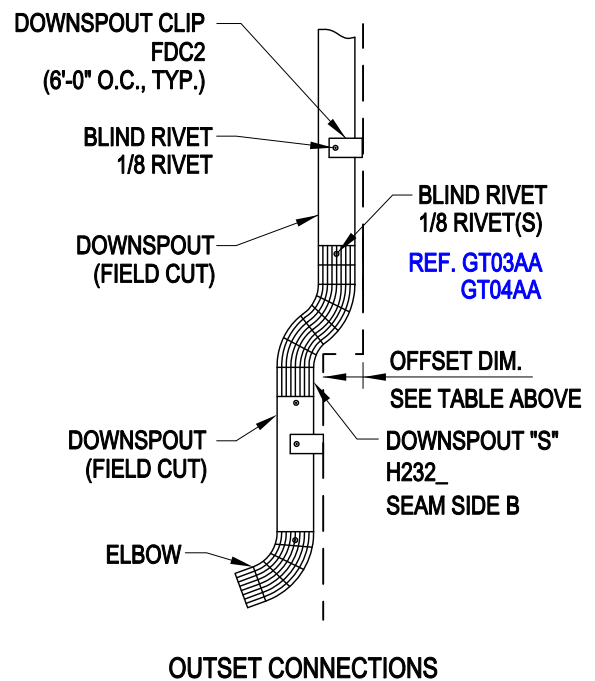
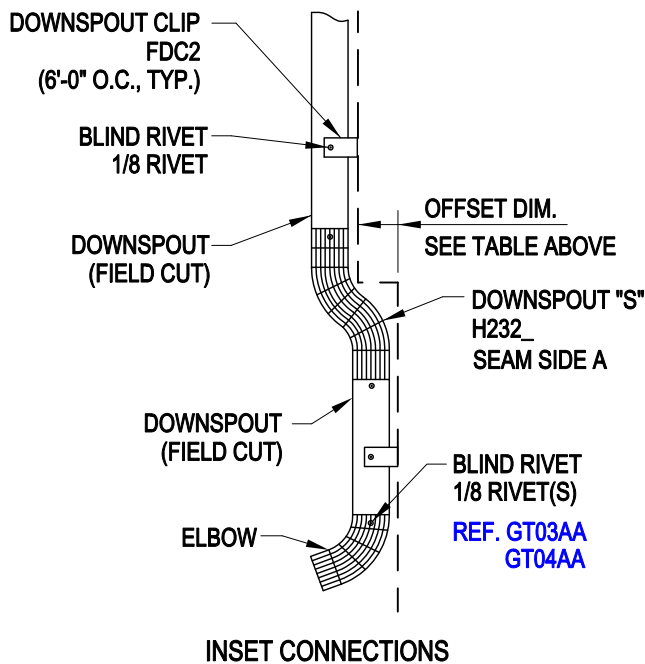
Corrugated 4"X5" Downspout "S" (Inset/Outset Connections)

Special Order

GT08BA/AA

DOWNSPOUT "S" w/ SEAM SIDE A	
PART NUMBER (SPECIAL ORDER)	OFFSET DIM. (RANGE)
H2320	2.50" - 4.50"
H2322	4.75" - 6.50"
H2324	6.75" - 8.50"
H2326	8.75" - 10.50"
H2328	10.75" - 12.75"

DOWNSPOUT "S" w/ SEAM SIDE B	
PART NUMBER (SPECIAL ORDER)	OFFSET DIM. (RANGE)
H2321	2.50" - 4.50"
H2323	4.75" - 6.50"
H2325	6.75" - 8.50"
H2327	8.75" - 10.50"
H2329	10.75" - 12.75"



## CORRUGATED 4"X5" DOWNSPOUT "S" (INSET / OUTSET CONNECTIONS)

SPECIAL ORDER

GT08BA

AA

[Download the DWG file by clicking here.](#)



**AMERICAN BUILDINGS**

A **NUCOR** COMPANY

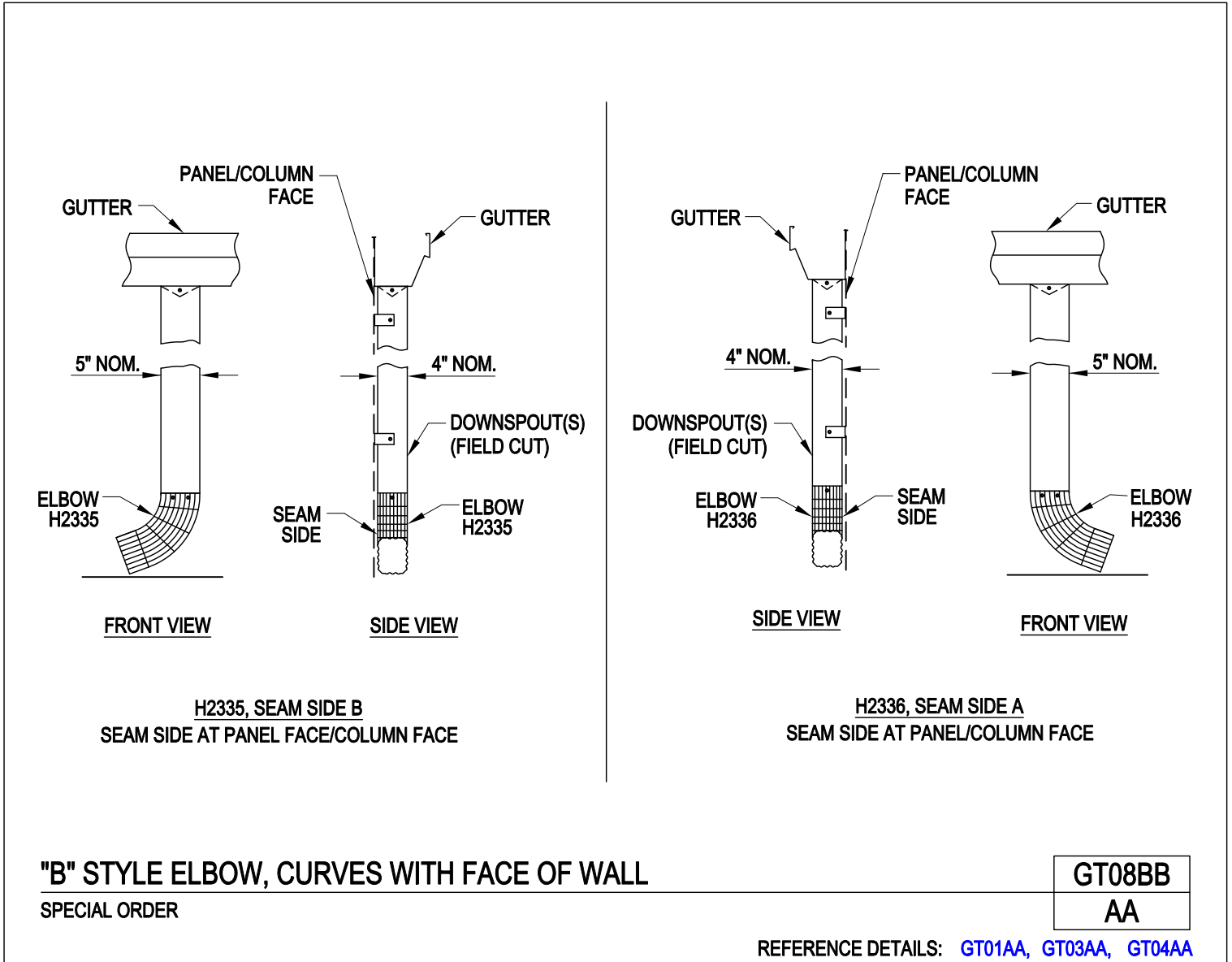
# PRODUCT MANUAL

GUTTERS AND DOWNSPOUTS

"B" Style Elbow, Curves with Face of Wall

Special Order

GT08BB/AA

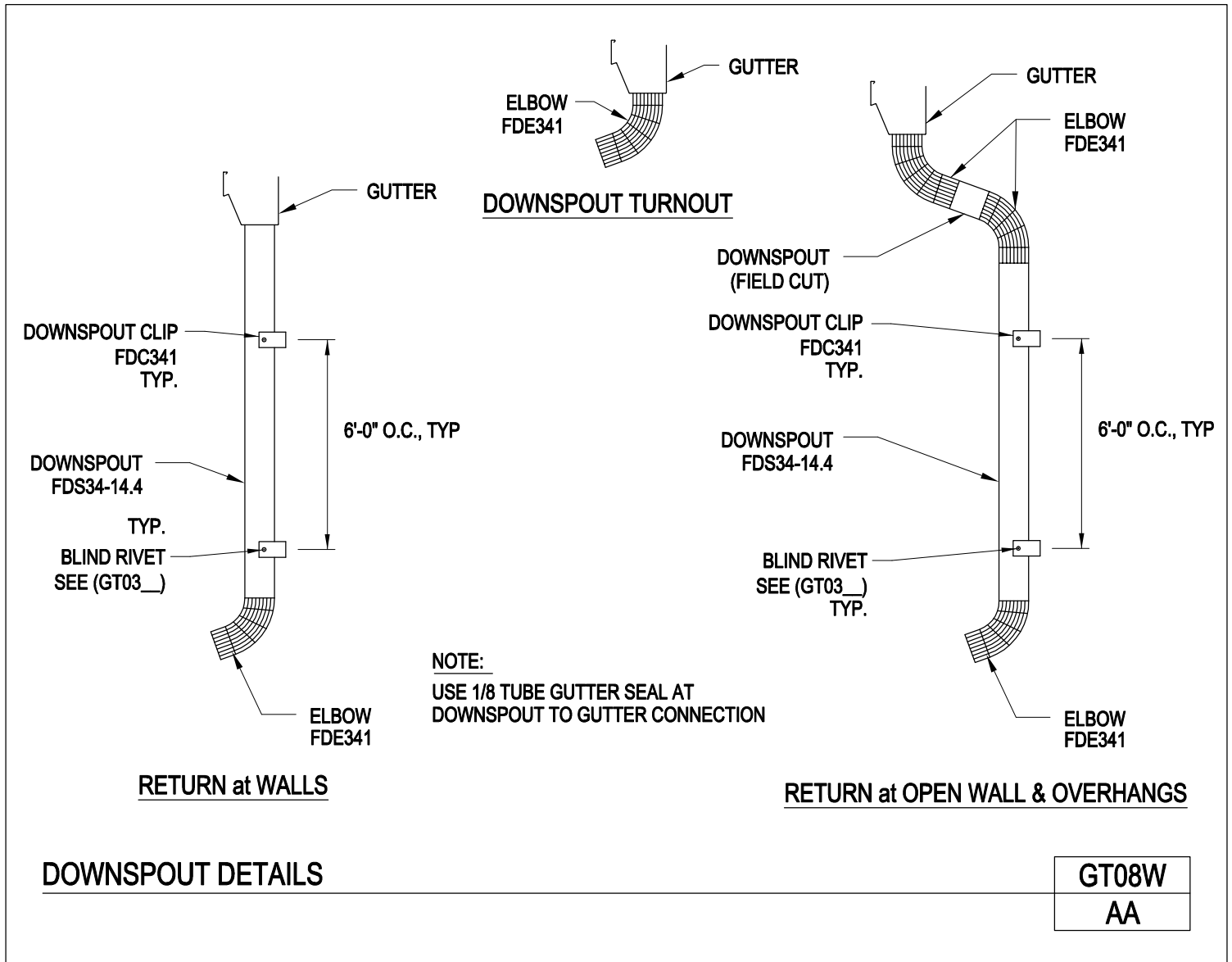


[Download the DWG file by clicking here.](#)

[To Section Index](#)

Downspout Details

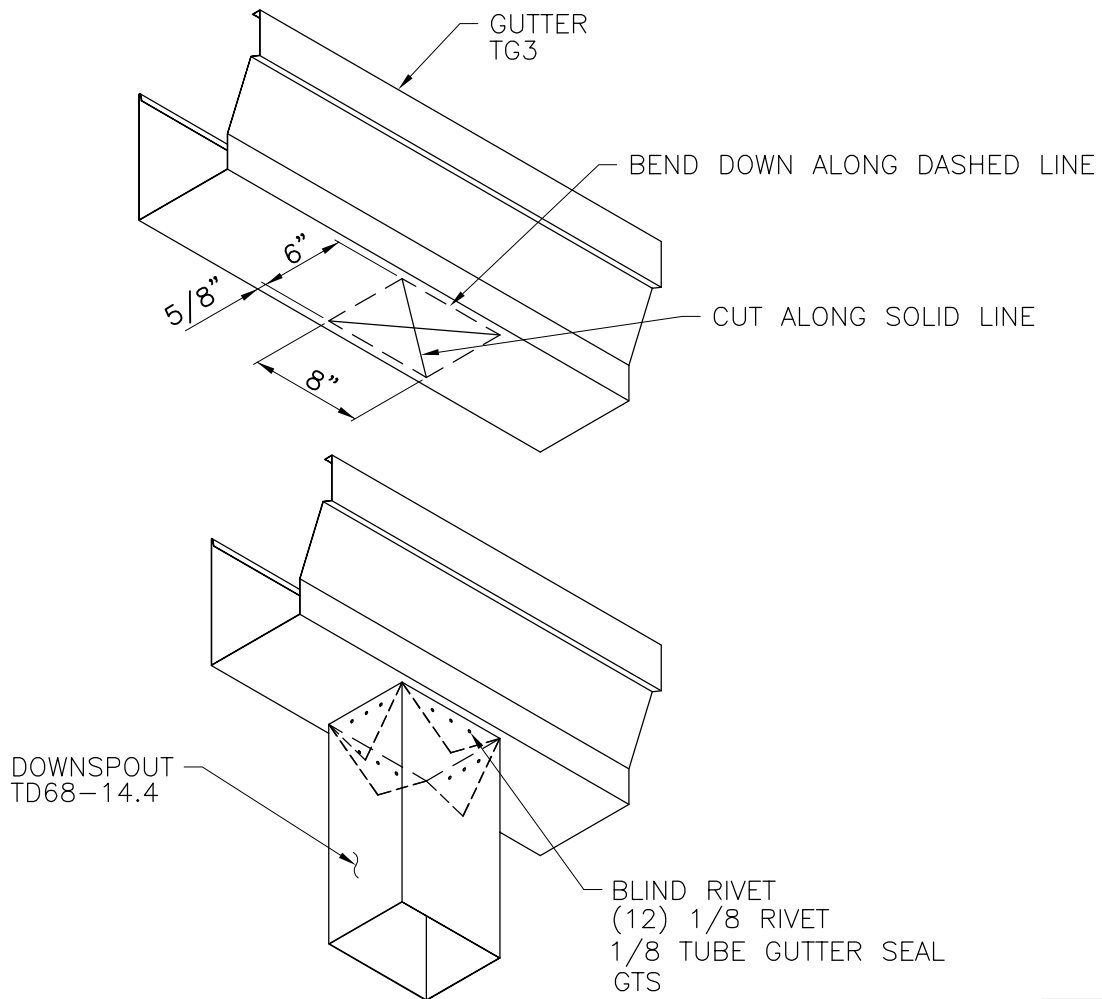
GT08W/AA



[Download the DWG file by clicking here.](#)

[To Section Index](#)

Downspout Outlet Detail  
Oversize Gutter and Downspout  
GT10/AA



**DOWNSPOUT OUTLET DETAIL**  
OVERSIZED GUTTER AND DOWNSPOUT

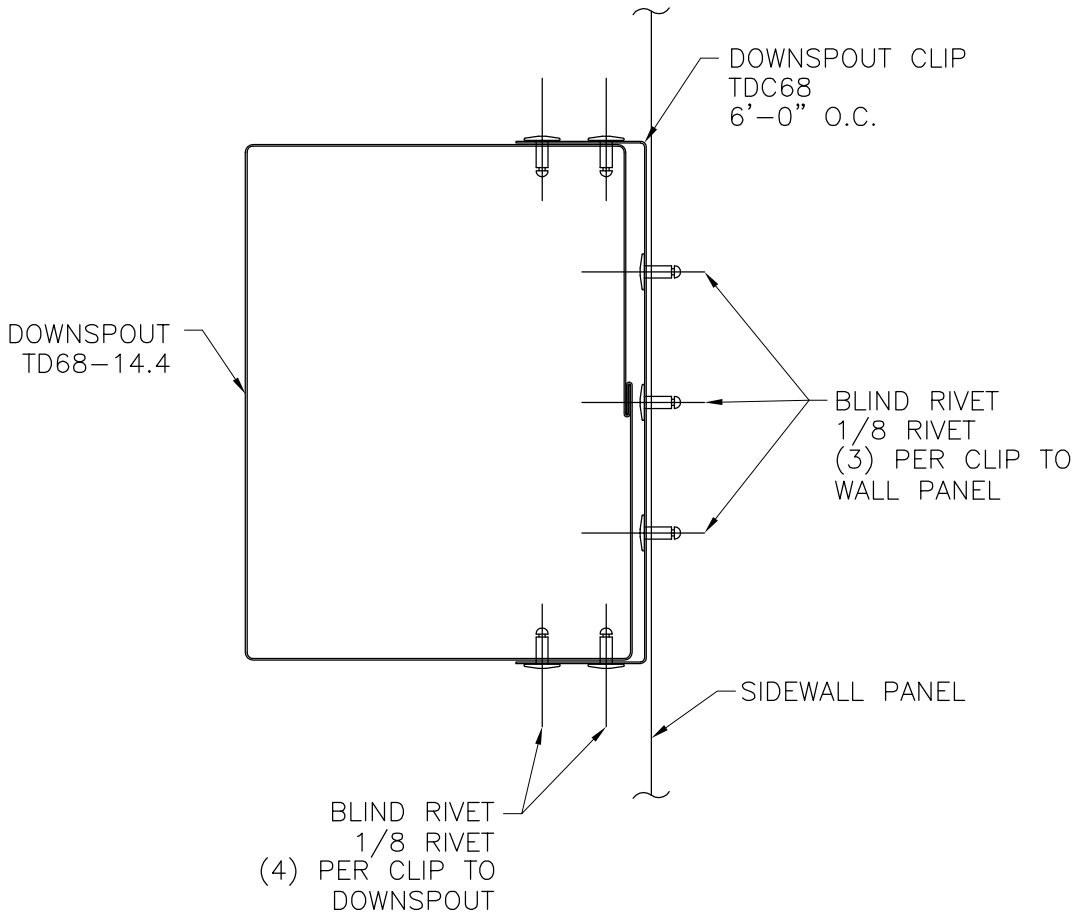
GT10
AA

[Download the DWG file by clicking here.](#)

[To Section Index](#)



Section Through Downspout  
Oversize Downspout  
GT12/AA



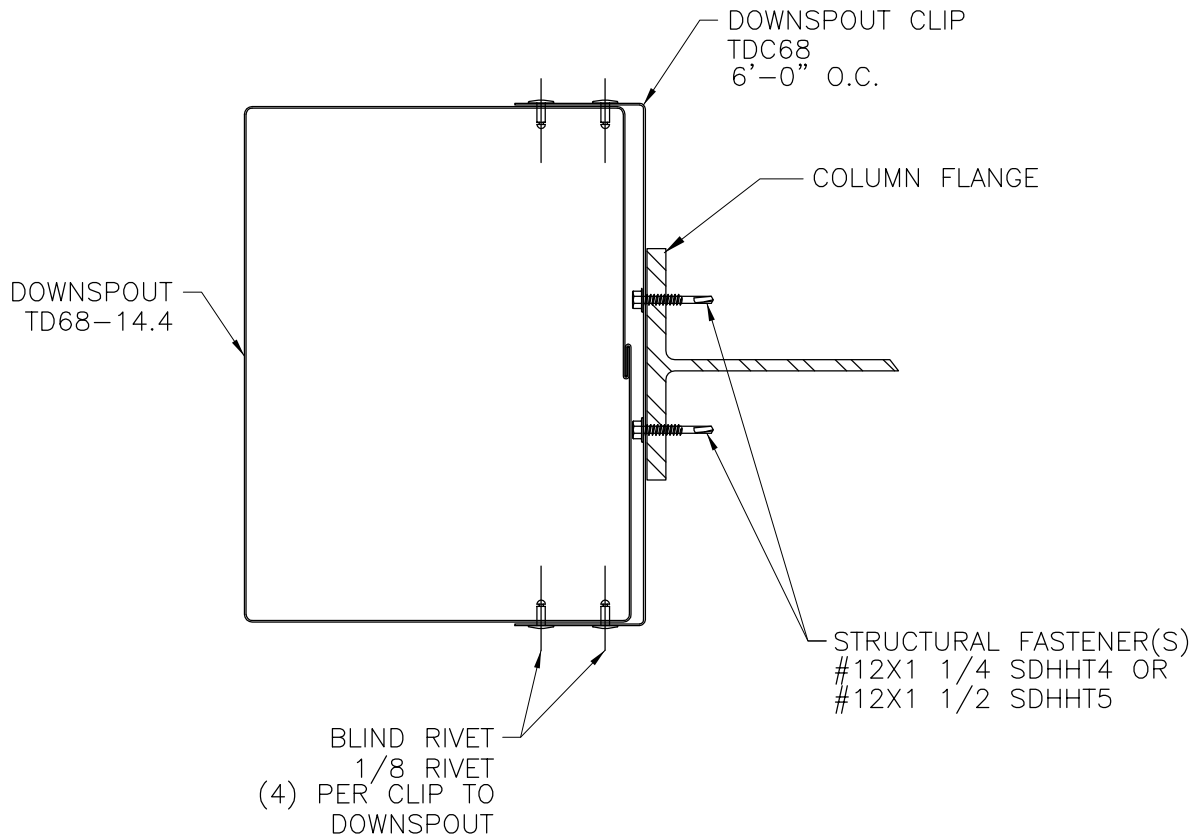
SECTION THROUGH DOWNSPOUT  
OVERSIZE DOWNSPOUT

GT12
AA

[Download the DWG file by clicking here.](#)

[To Section Index](#)

Section Through Downspout at Open Sidewall  
Oversize Downspout  
GT12/AO



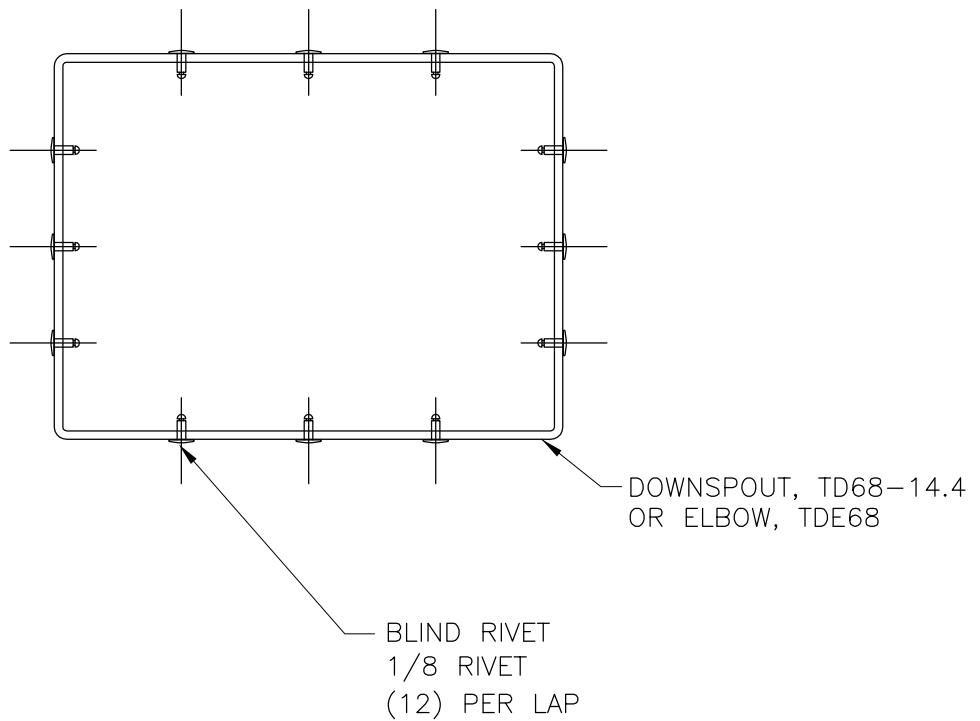
SECTION THROUGH DOWNSPOUT AT OPEN SIDEWALL  
OVERSIZE DOWNSPOUT

GT12
AO

[Download the DWG file by clicking here.](#)

[To Section Index](#)

Rivet Locations at Downspout Lap or Elbow  
Oversize Downspout  
GT13/AA



RIVET LOCATIONS AT DOWNSPOUT LAP OR ELBOW  
OVERSIZE DOWNSPOUT

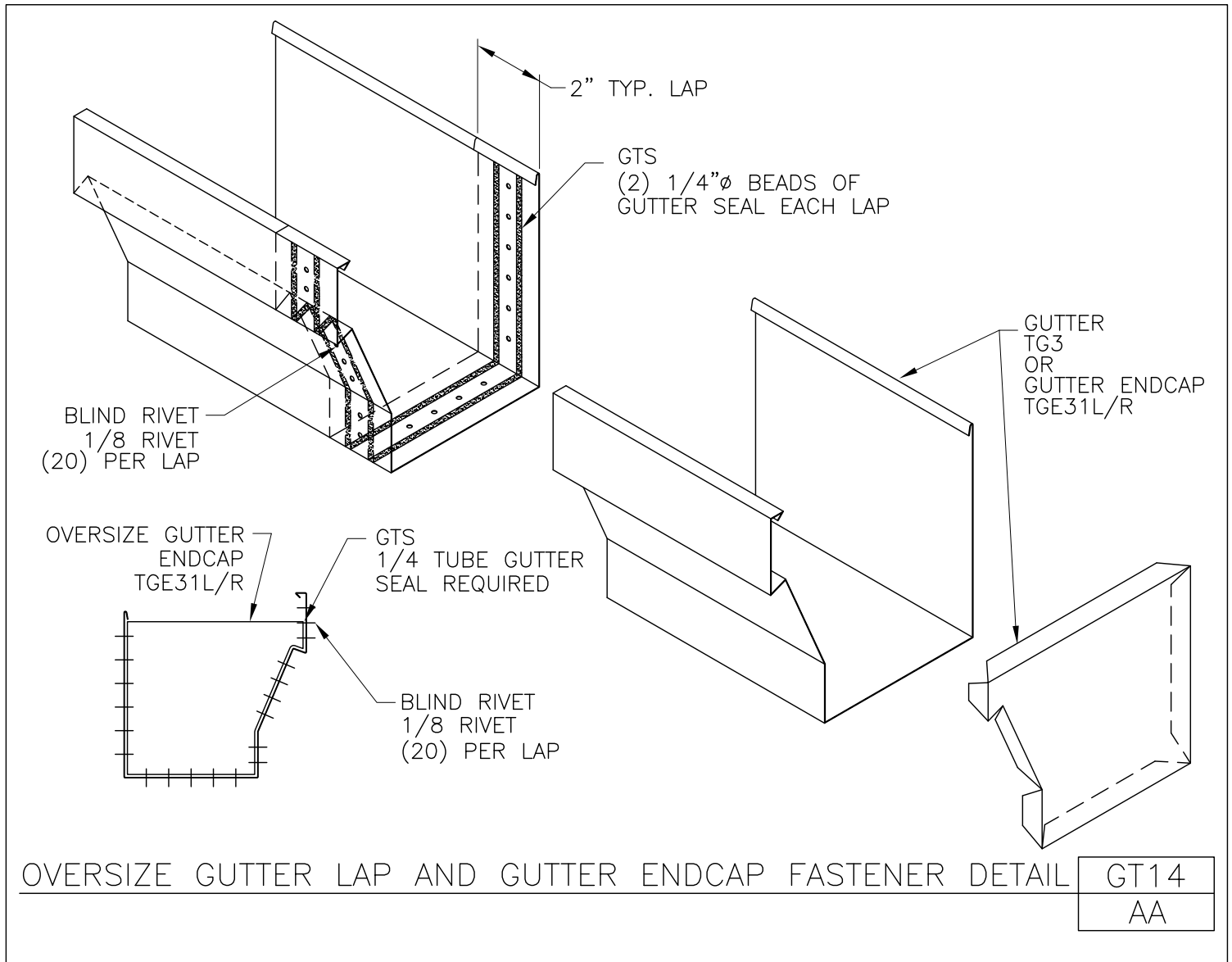
GT13
AA

[Download the DWG file by clicking here.](#)

[To Section Index](#)

## Oversize Gutter Lap and Gutter Endcap Fastener Detail

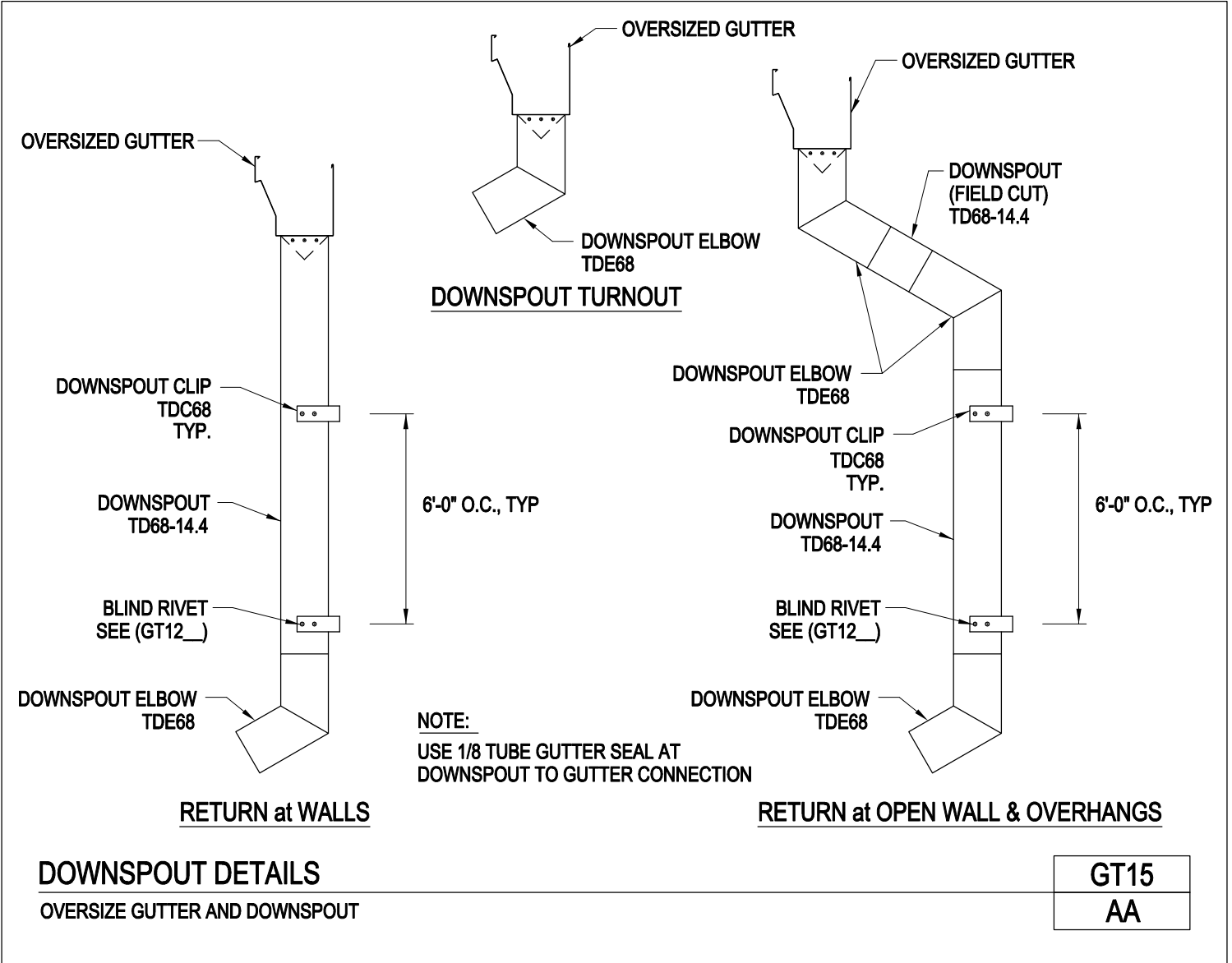
GT14/AA



[Download the DWG file by clicking here.](#)

[To Section Index](#)

Downspout Details  
Oversize Gutter and Downspout  
GT15/AA



[Download the DWG file by clicking here.](#)

[To Section Index](#)

## Oversize Gutter and Downspout Notes

GT17/AA

1. DOWNSPOUT LOCATIONS WILL BE SPECIFIED ON PROJECT DRAWINGS.
2. FIELD CUT GUTTER AND DOWNSPOUTS, IF NECESSARY, FROM LENGTHS PROVIDED.
3. FIELD WORK GUTTER WITH RAKE TRIM. CORNER BOXES WILL NOT BE FURNISHED.

OVERSIZE GUTTER AND DOWNSPOUT NOTES

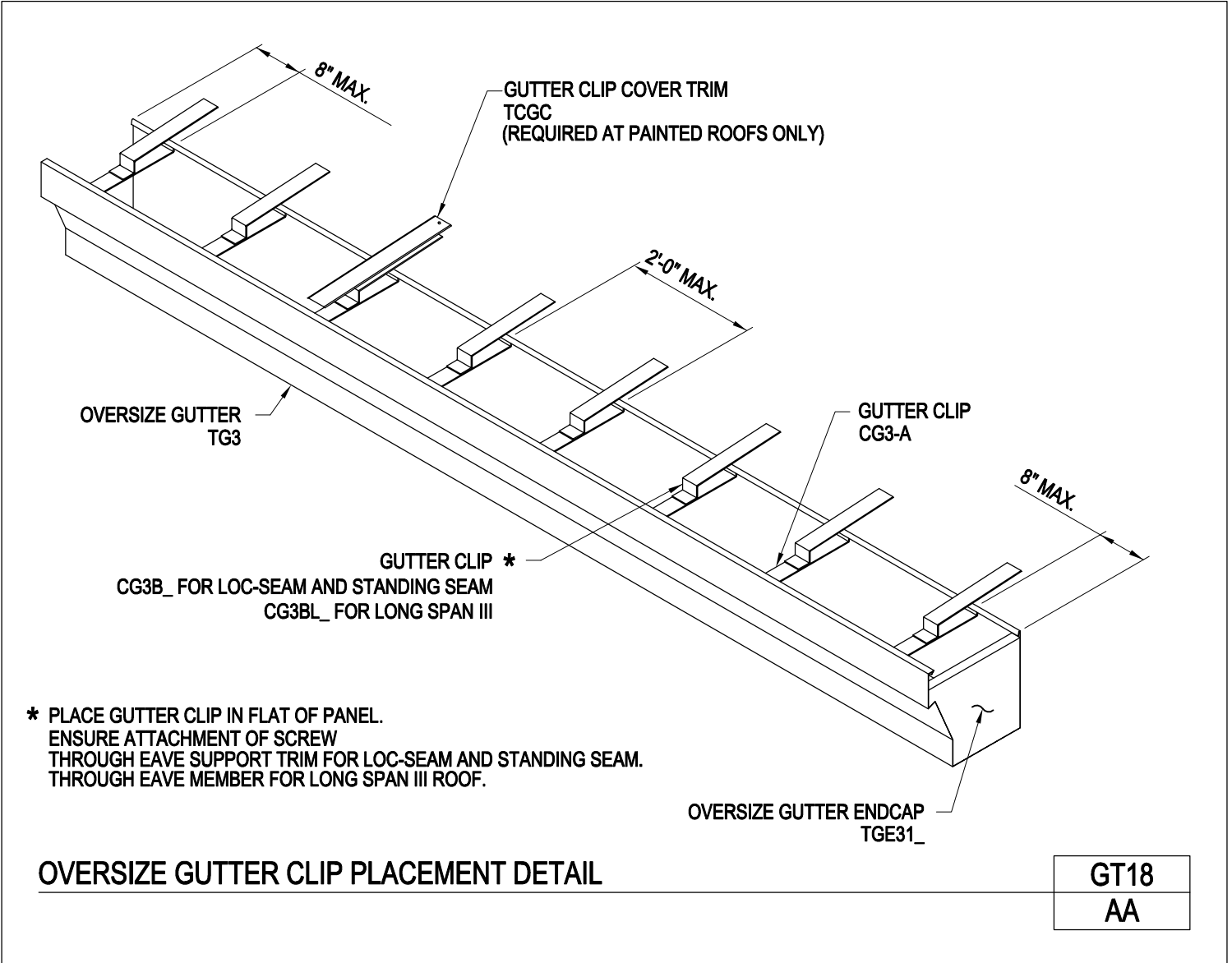
GT17
AA

[Download the DWG file by clicking here.](#)

[To Section Index](#)

Oversize Gutter Clip Placement Detail

GT18/AA



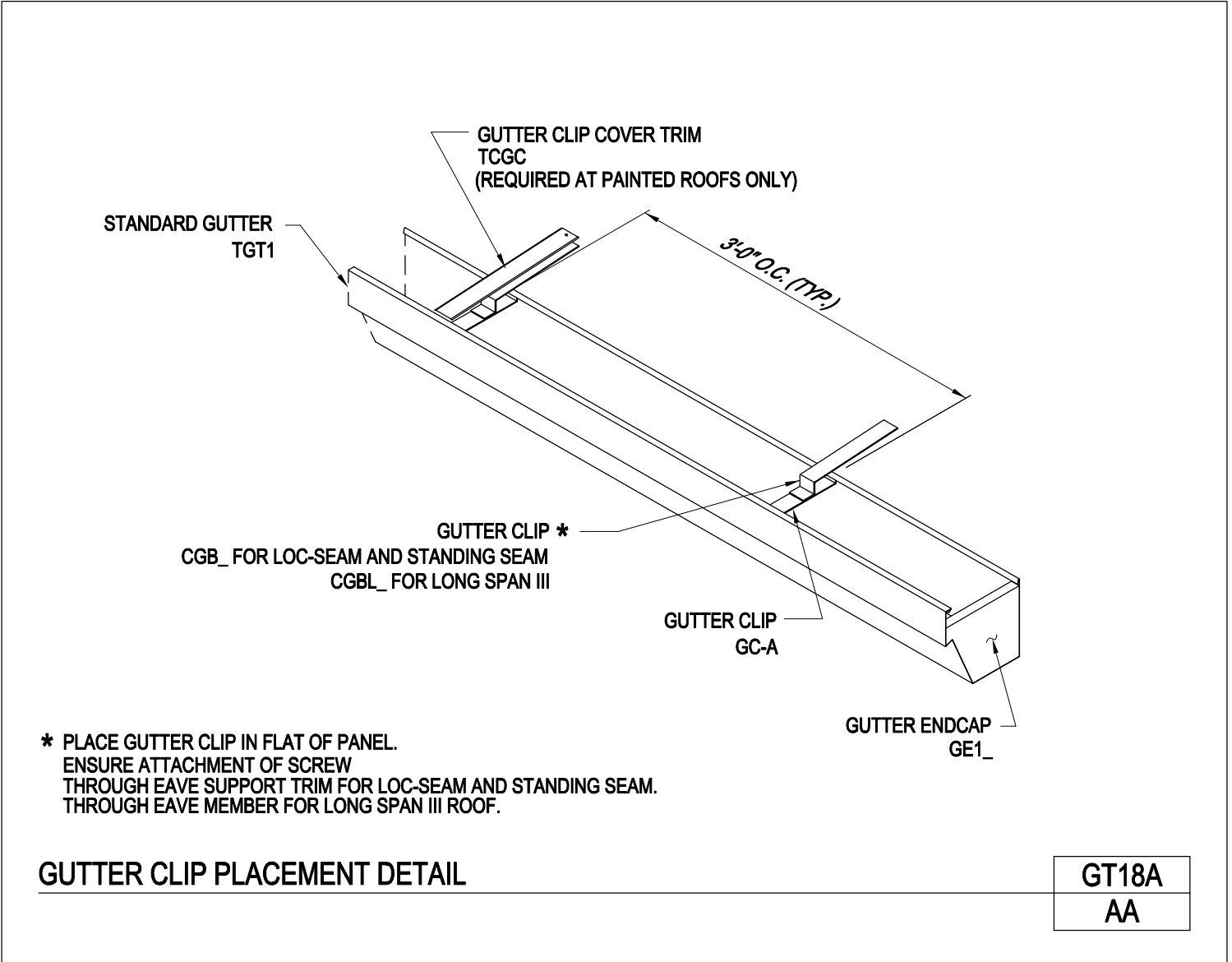
\* PLACE GUTTER CLIP IN FLAT OF PANEL.  
ENSURE ATTACHMENT OF SCREW  
THROUGH EAVE SUPPORT TRIM FOR LOC-SEAM AND STANDING SEAM.  
THROUGH EAVE MEMBER FOR LONG SPAN III ROOF.

[Download the DWG file by clicking here.](#)

[To Section Index](#)

Gutter Clip Placement Detail

GT18A/AA



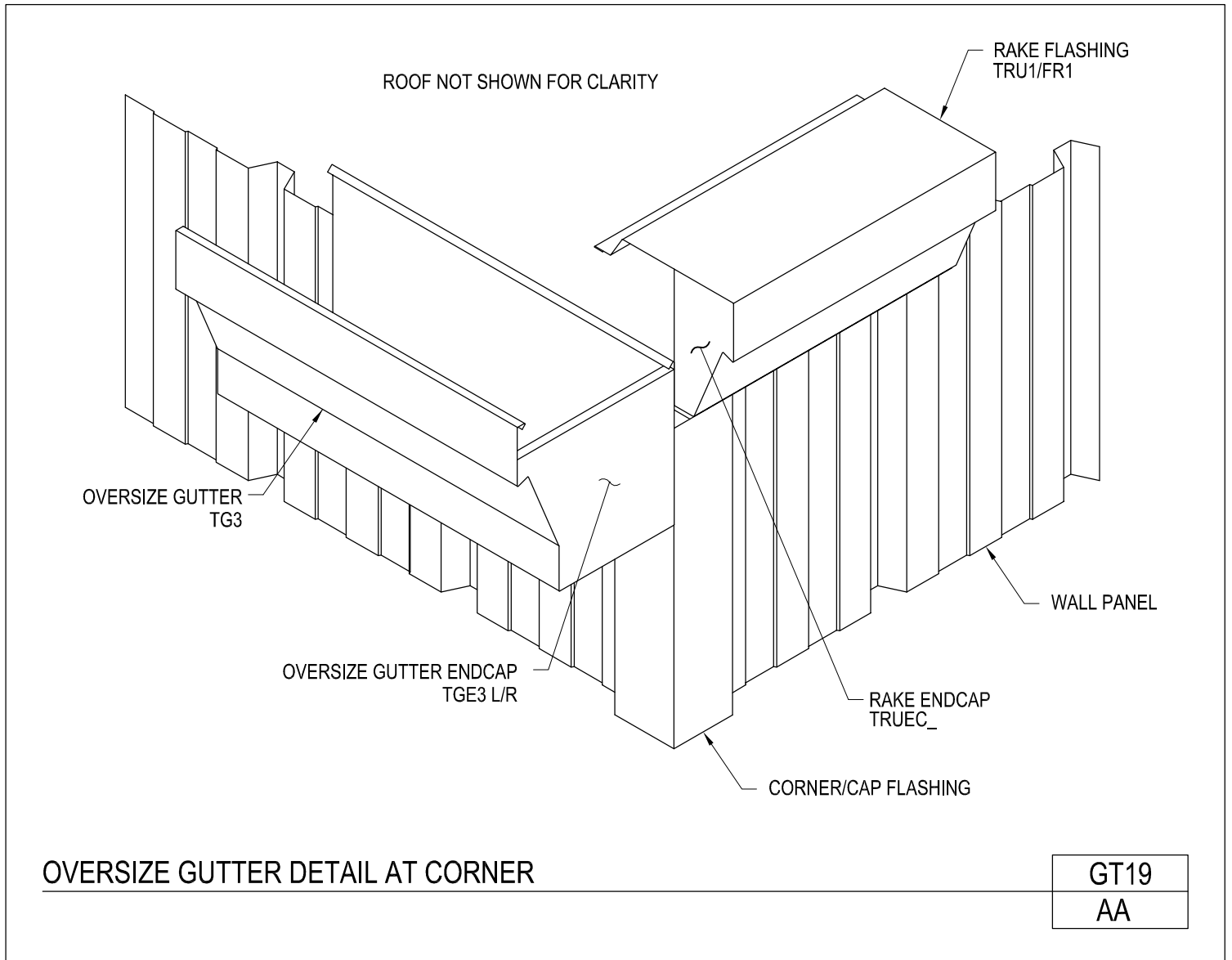
[Download the DWG file by clicking here.](#)

[To Section Index](#)



Oversize Gutter Detail at Corner

GT19/AA

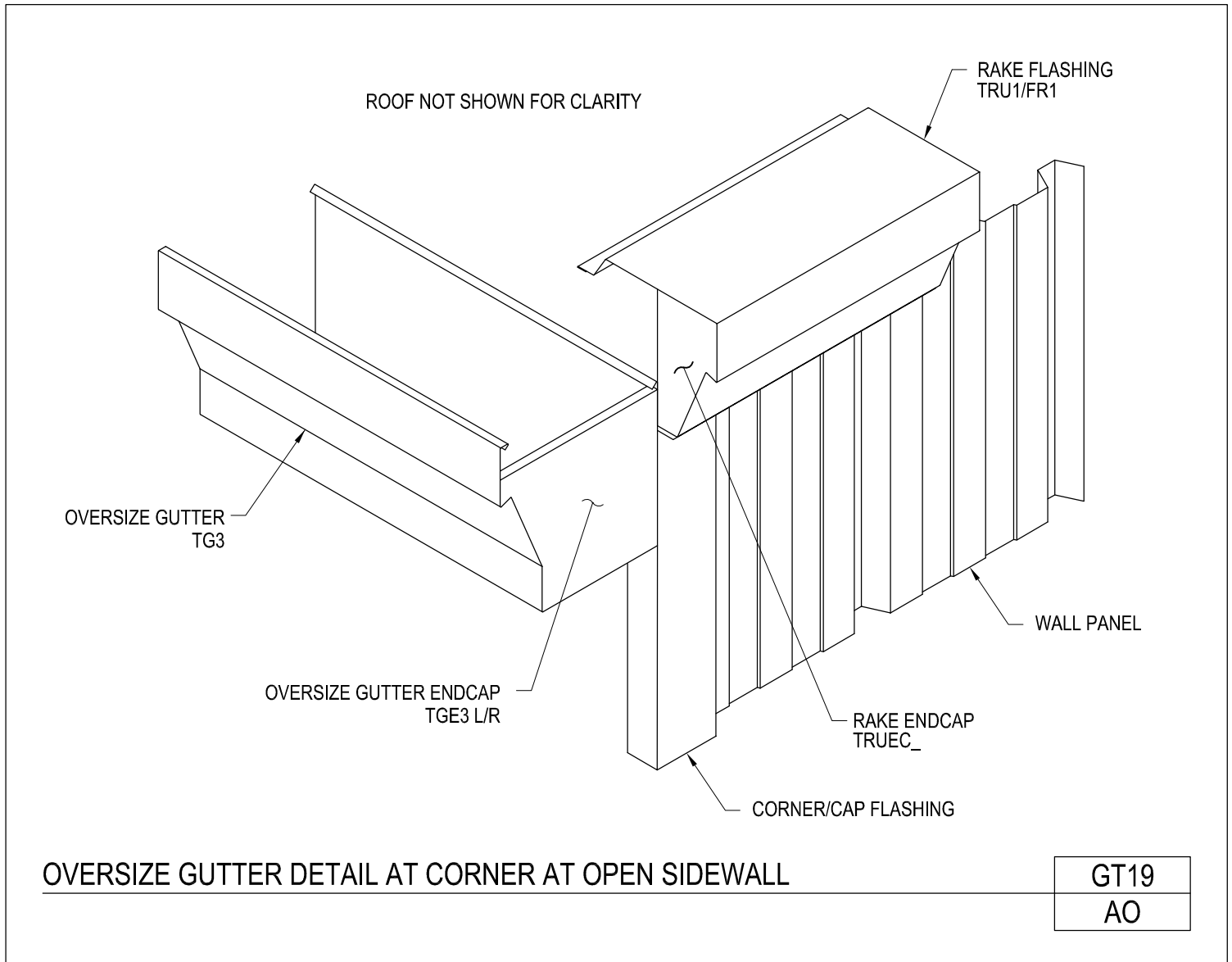


[Download the DWG file by clicking here.](#)

[To Section Index](#)

Oversize Gutter Detail at Corner at Open Sidewall

GT19/AO



[Download the DWG file by clicking here.](#)

[To Section Index](#)

## Downspout Schedule

WGT06/AA

EAVE	DOWNSPOUTS	DOWNSPOUT CLIPS (FDC2)
10'	1 PC. FDS-10.0 & 3 PC. FDE2	2
12'	1 1/2 PC. FDS-10.0 & 3 PC. FDE2	2
14'	1 1/2 PC. FDS-10.0 & 3 PC. FDE2	3
16'	1 1/2 PC. FDS-10.0 & 3 PC. FDE2	3
18'	1 1/2 PC. FDS-10.0 & 3 PC. FDE2	4
20'	2 PC. FDS-10.0 & 3 PC. FDE2	4
22'	2 1/2 PC. FDS-10.0 & 3 PC. FDE2	4
24'	2 1/2 PC. FDS-10.0 & 3 PC. FDE2	5
26'	3 PC. FDS-10.0 & 3 PC. FDE2	5
28'	3 PC. FDS-10.0 & 3 PC. FDE2	6
30'	3 PC. FDS-10.0 & 3 PC. FDE2	6
32'	3 1/2 PC. FDS-10.0 & 3 PC. FDE2	6
34'	3 1/2 PC. FDS-10.0 & 3 PC. FDE2	7
36'	4 PC. FDS-10.0 & 3 PC. FDE2	7
38'	4 PC. FDS-10.0 & 3 PC. FDE2	8
40'	4 PC. FDS-10.0 & 3 PC. FDE2	8

**DOWNSPOUT SCHEDULE**

WGT06
AA

[Download the DWG file by clicking here.](#)

[To Section Index](#)

Downspout Schedule

WGT06/AO

EAVE	DOWNSPOUTS	DOWNSPOUT CLIPS (FDC2)
10'	1 PC. FDS-10.0 & 3 PC. FDE2	2
12'	1 1/2 PC. FDS-10.0 & 3 PC. FDE2	2
14'	1 1/2 PC. FDS-10.0 & 3 PC. FDE2	3
16'	1 1/2 PC. FDS-10.0 & 3 PC. FDE2	3
18'	1 1/2 PC. FDS-10.0 & 3 PC. FDE2	4
20'	2 PC. FDS-10.0 & 3 PC. FDE2	4
22'	2 1/2 PC. FDS-10.0 & 3 PC. FDE2	4
24'	2 1/2 PC. FDS-10.0 & 3 PC. FDE2	5
26'	3 PC. FDS-10.0 & 3 PC. FDE2	5
28'	3 PC. FDS-10.0 & 3 PC. FDE2	6
30'	3 PC. FDS-10.0 & 3 PC. FDE2	6
32'	3 1/2 PC. FDS-10.0 & 3 PC. FDE2	6
34'	3 1/2 PC. FDS-10.0 & 3 PC. FDE2	7
36'	4 PC. FDS-10.0 & 3 PC. FDE2	7
38'	4 PC. FDS-10.0 & 3 PC. FDE2	8
40'	4 PC. FDS-10.0 & 3 PC. FDE2	8

DOWNSPOUT SCHEDULE AT OPEN SIDEWALL

WGT06
AO

[Download the DWG file by clicking here.](#)

[To Section Index](#)