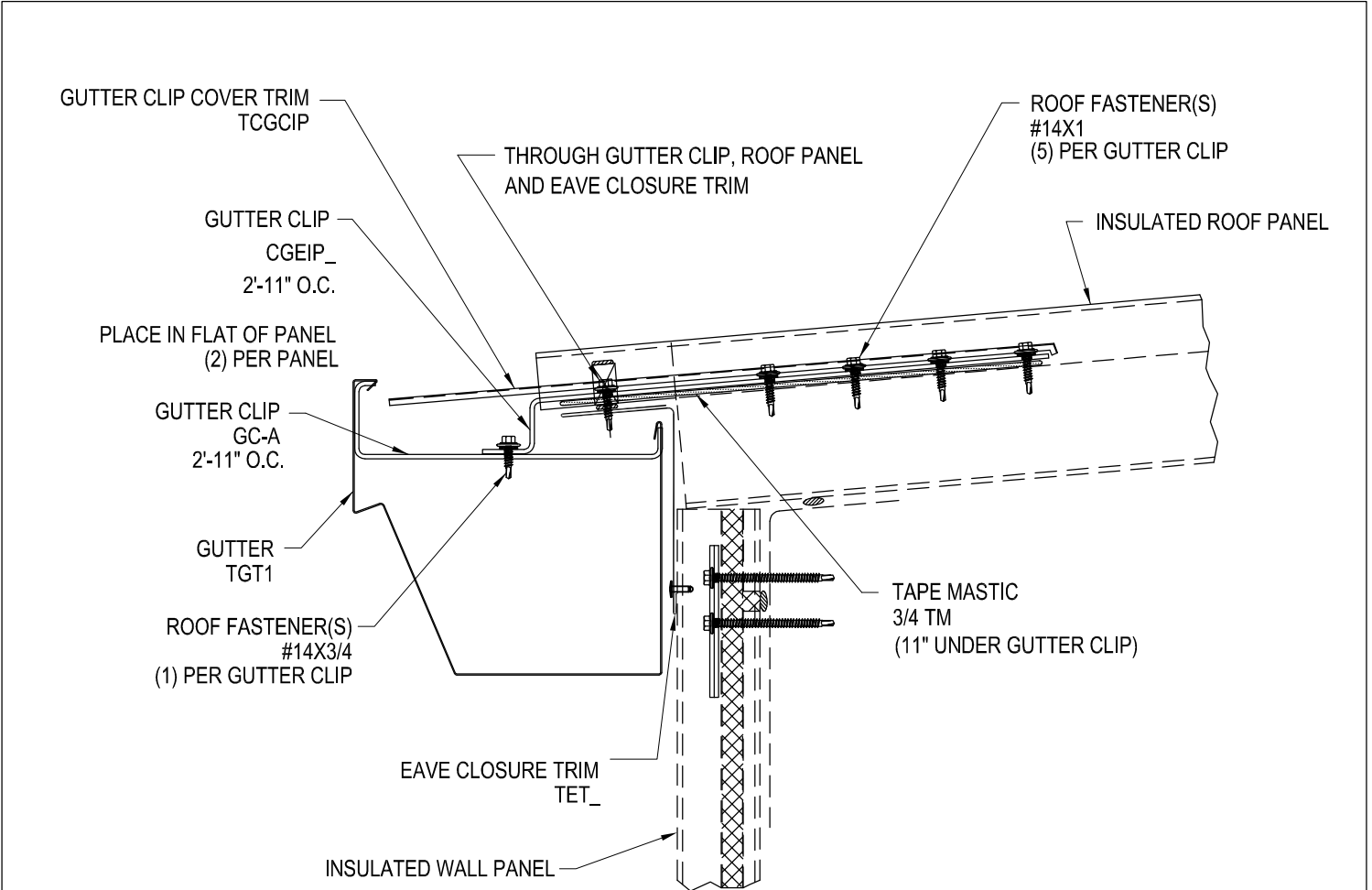


Product Manual - Insulated Hi Rib Roof Panels

EA01/QW, Standard Gutter w/ Gutter Clip
EA03/QW, Deluxe Eave Flashing Installation at All Roof Slopes
EA04A/QW, Section at Eave w/ Insulated Roof Panels
EA04B/QW, Roof Panel Installation at Eave
EA05/QW, High Side Attachments
EA11A/QW, Roof to Wall at Highside
EA26/QW, Fastener Installation at Eave
EA28/QW, Trim and Mastic Application at Eave
EA29/QW, Eave Mastic Detail at Panel Sidelap
EO01/QW, Standard Gutter Detail
EO03/QW, Deluxe Eave Flashing Installation at All Roof Slopes
EO28/QW, Mastic Application at Eave
FL02/AA, Universal Rake Flashing
FL03A/QA, High Side Eave Flashing
GE50/QW, Panel Storage - Unloading Panels
GE51/WW, Panel Storage
GE52/QW, Removing Protective Film
GE54/QW, Weather Tightness Requirements
RA03/QA, Universal Rake Cap Installation
RA04/AA, Corner Cap Box Installation
RA04A/AA, Corner Cap Box Installation
RA04A/QA, High Side Corner Box
RA14/QA, Ridge Flashing Endcap Installation
RA70/AA, Universal Rake Endcap Installation
RA70A/AA, Highside Eave Endcap, Without Corner Box
RC01/QA, Sidelap Connection to Purlin
RC02A/QW, Rake Flashing
RC02B/QA, Fastening Section at Rake
RC02/QW, Panel Fastening at Rake
RC05AA/QA, Special Hi Rib to Intermediate Hi Rib to Purlin, When Required by Design
RC05A/QA, Intermediate Hi Rib to Purlin (Typ.)
RC05B/QA, Stitch Fastening at Panel End Lap
RC05/QA, Fastening at Sidelap and Intermediate Hi Ribs
RC06A/QA, Panel End Lap Detail
RC06/QA, End Lap Sealant Application and Fastener Connections
RC11/QW, Installation Sequence and Guidelines
RC14/QA, Special Back Fastening at Purlin Spacing Less Than 4'-0"

RC30/QW, Roof to Wall at Rake w/ Upper Wall Panel
RC32/QA, Ridge Connections
RC37/QA, Ridge Closure Connections
RC61/QA, Basic Fasteners and Fastener Charts
RC64/QA, Direction of Roof Panel Installation
RF20B/QA, Top View at Panel Support Angle, SA1 Connection to Purliin Web
RP10/QA, Panel End Prep
WEA05/QW, High Side Attachments
WEA11A/QW, Roof To Wall at High Side

Standard Gutter w/ Gutter Clip
Insulated Wall Panels w/ Insulated Roof Panels
EA01/QW



STANDARD GUTTER w/GUTTER CLIP

INSULATED WALL PANELS w/ INSULATED ROOF PANELS

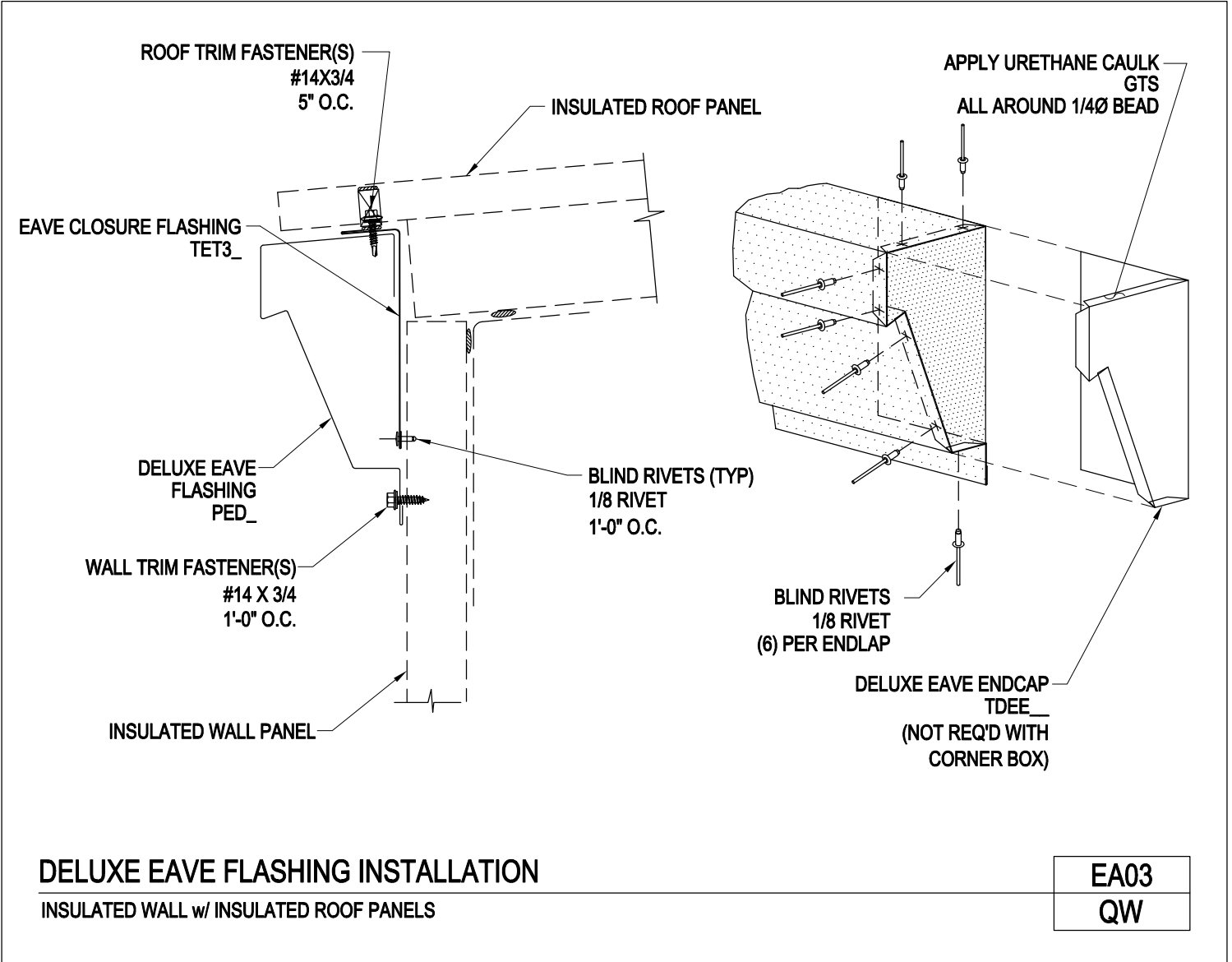
EA01
QW

REFERENCE DETAILS: [EA28QW](#), [EA28RW](#), [FL09AA](#)

[Download the DWG file by clicking here.](#)

[To Section Index](#)

Deluxe Eave Flashing Installation at All Roof Slopes
 Insulated Wall w/ Insulated Roof Panels
 EA03/QW

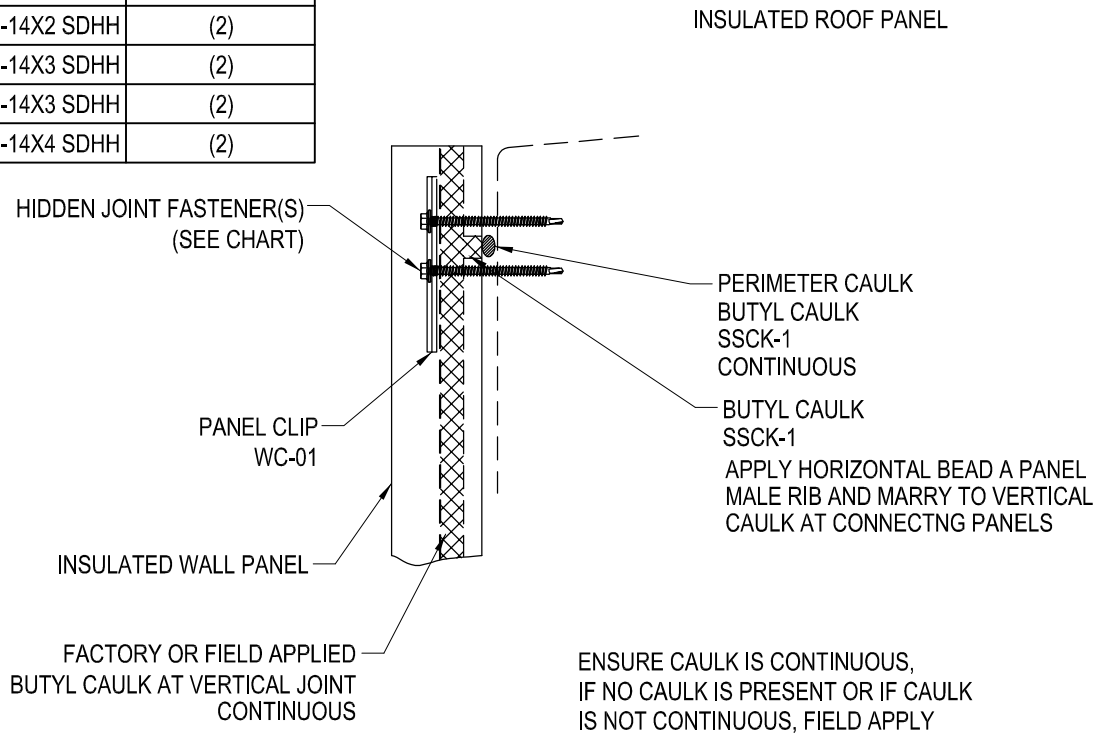


[Download the DWG file by clicking here.](#)

[To Section Index](#)

Section at Eave w/ Insulated Roof Panels
 Insulated Wall Panels
 EA04A/QW

PANEL THICKNESS	HIDDEN JOINT FASTENER	FASTENER QTY. PER WC-01 CLIP
2"	#1/4-14X2 SDHH	(2)
2 1/2"	#1/4-14X3 SDHH	(2)
3"	#1/4-14X3 SDHH	(2)
4"	#1/4-14X4 SDHH	(2)



SECTION AT EAVE w/ INSULATED ROOF PANELS

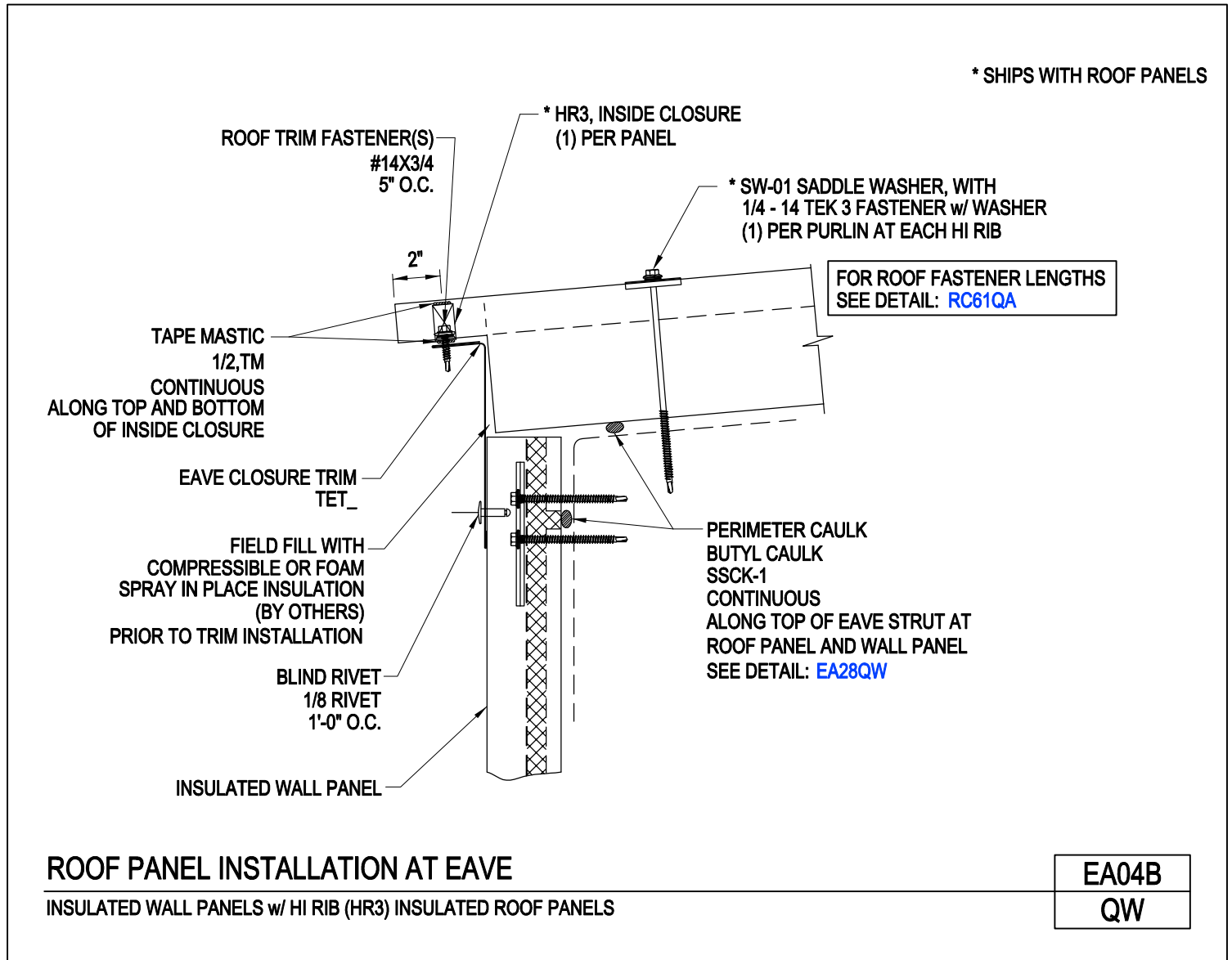
INSULATED WALL PANELS

EA04A
QW

[Download the DWG file by clicking here.](#)

[To Section Index](#)

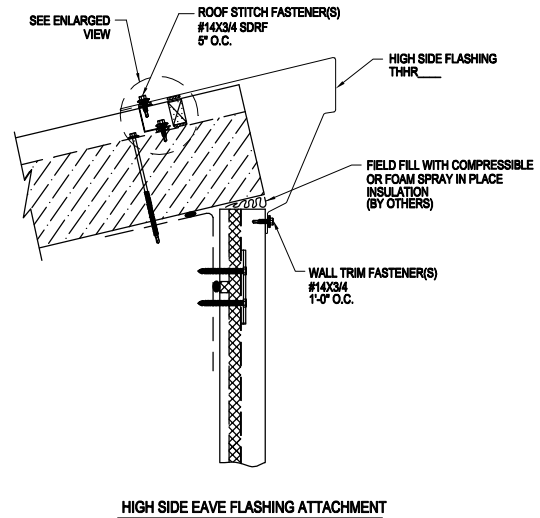
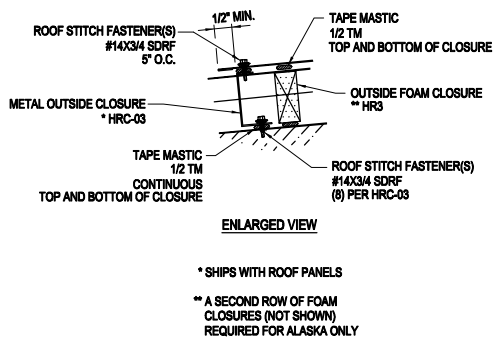
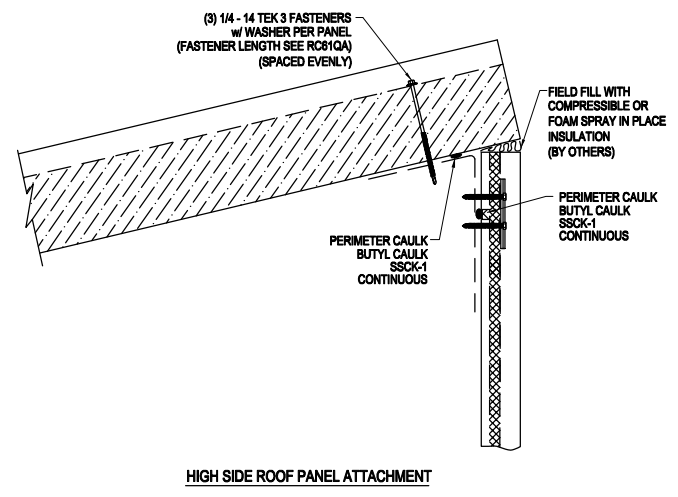
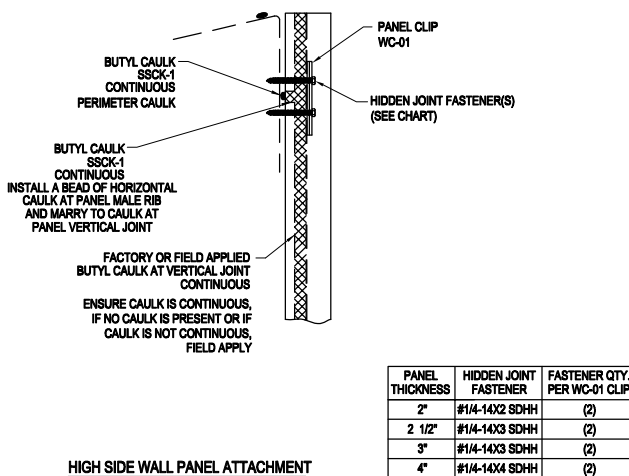
Roof Panel Installation at Eave
 Insulated Wall Panels w/ Hi Rib (HR3) Insulated Roof Panels
 EA04B/QW



[Download the DWG file by clicking here.](#)

[To Section Index](#)

High Side Attachments
 Insulated Wall Panels w/ Hi Rib (HR3) Insulated Roof Panels
 EA05/QW

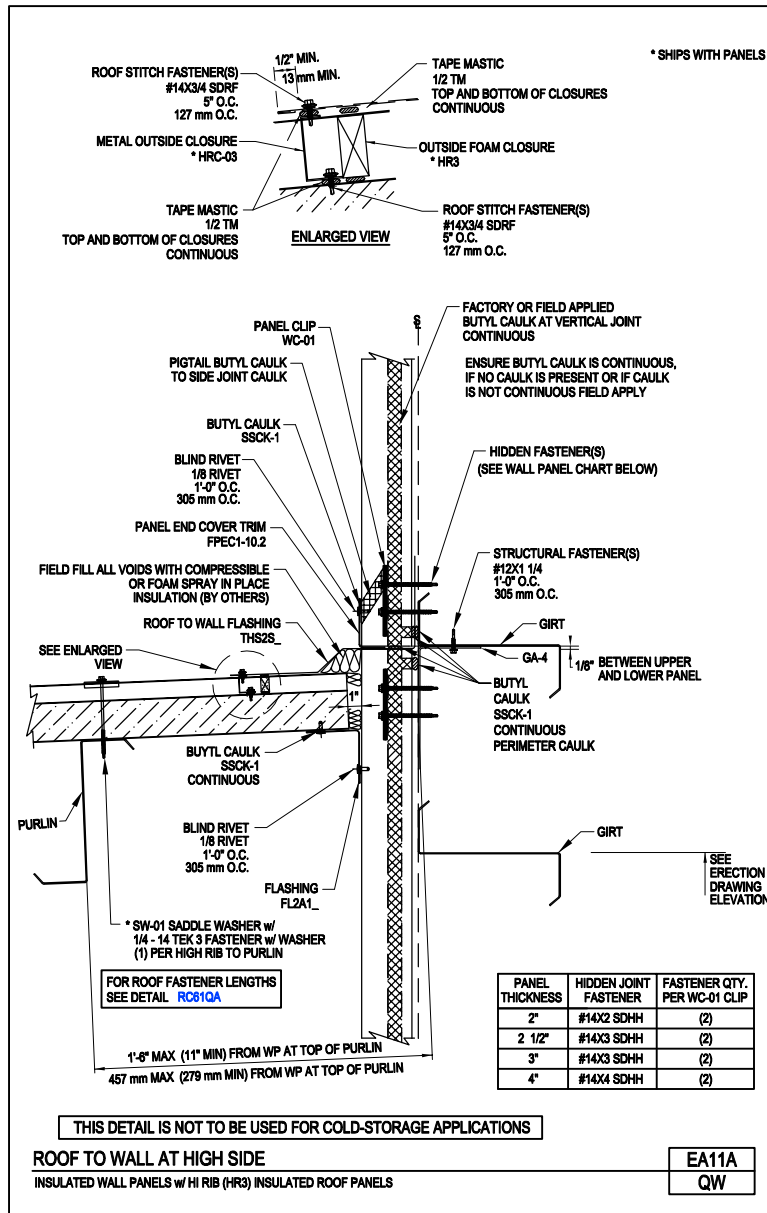


HIGH SIDE ATTACHMENTS AT HIGH SIDE EAVE STRUTS
 INSULATED WALL PANELS w/ HI RIB (HR3) INSULATED ROOF PANELS

EA05
QW

[Download the DWG file by clicking here.](#)

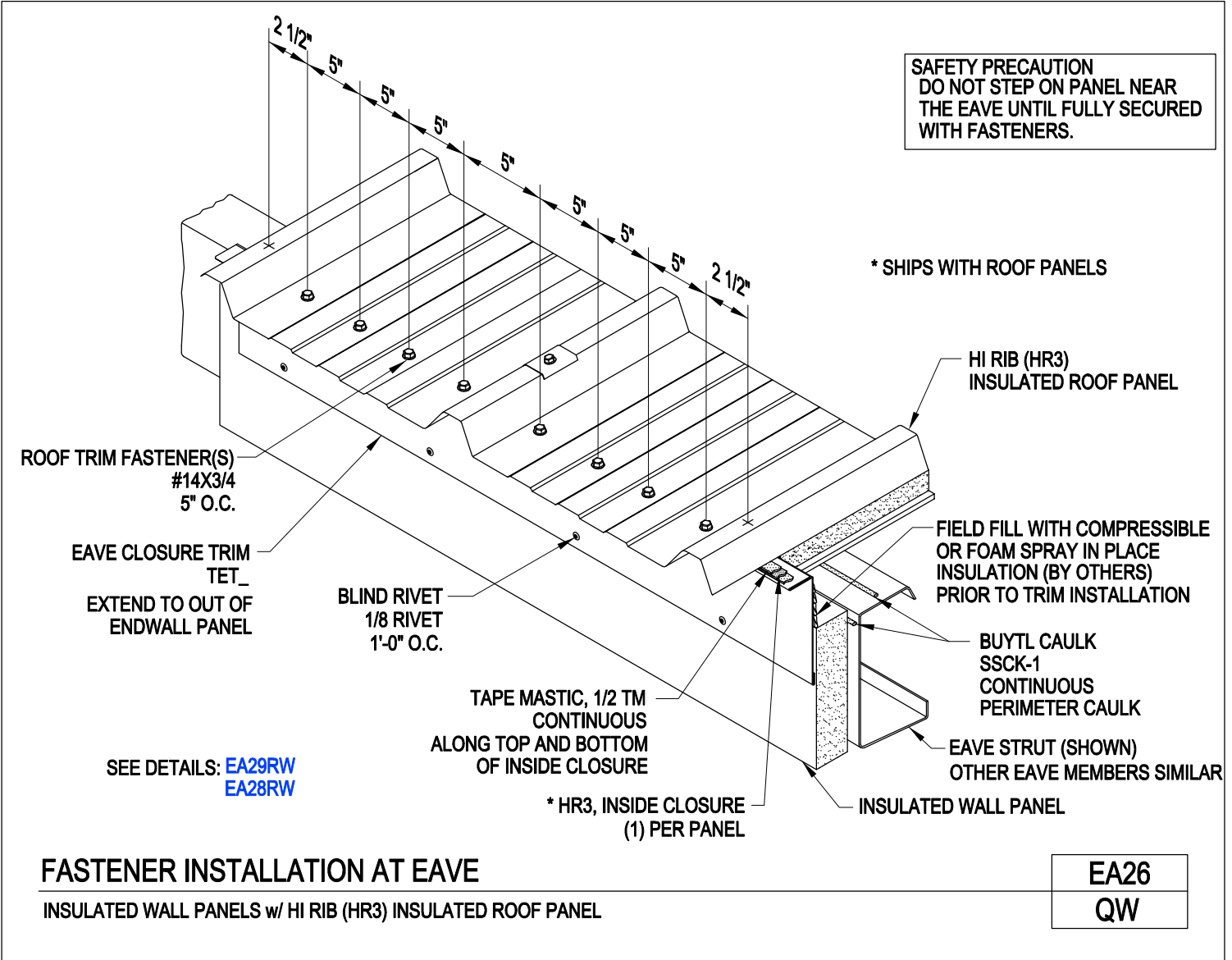
Roof to Wall at Highside
 Insulated Wall Panels w/ Hi Rib (HR3) Insulated Roof Panels
 EA11A/QW



[Download the DWG file by clicking here.](#)

[To Section Index](#)

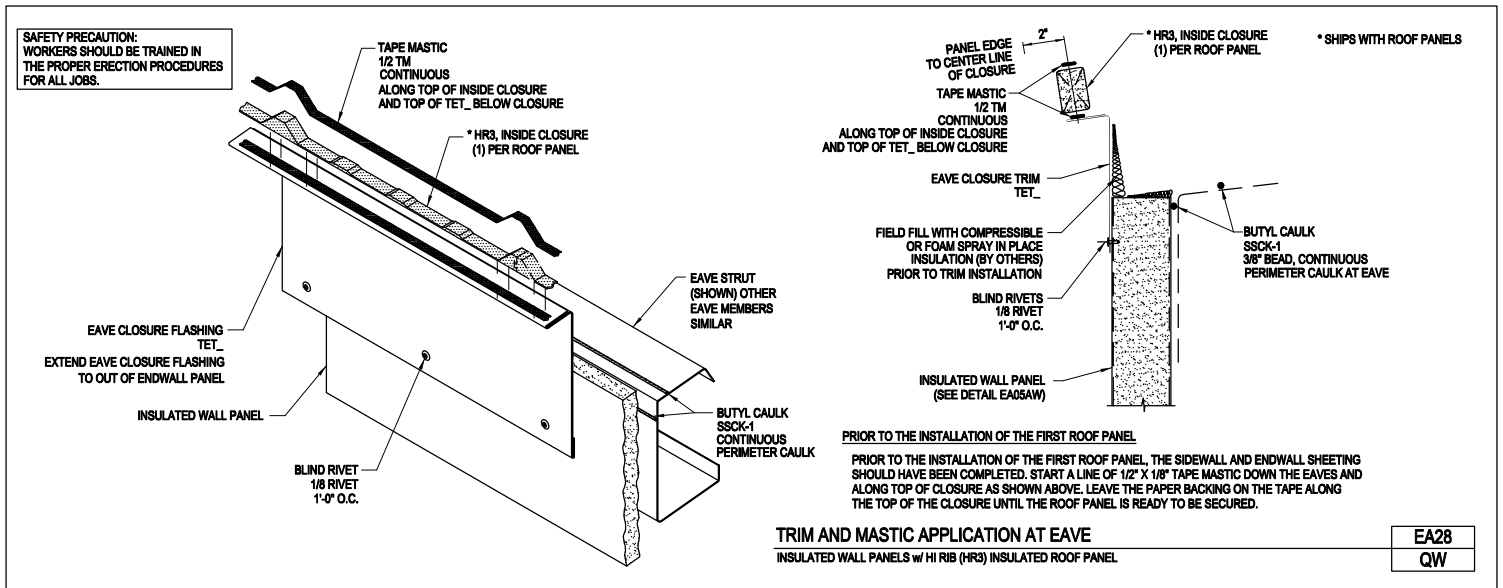
Fastener Installation at Eave
Insulated Wall Panels w/ Hi Rib (HR3) Insulated Roof Panels
EA26/QW



[Download the DWG file by clicking here.](#)

[To Section Index](#)

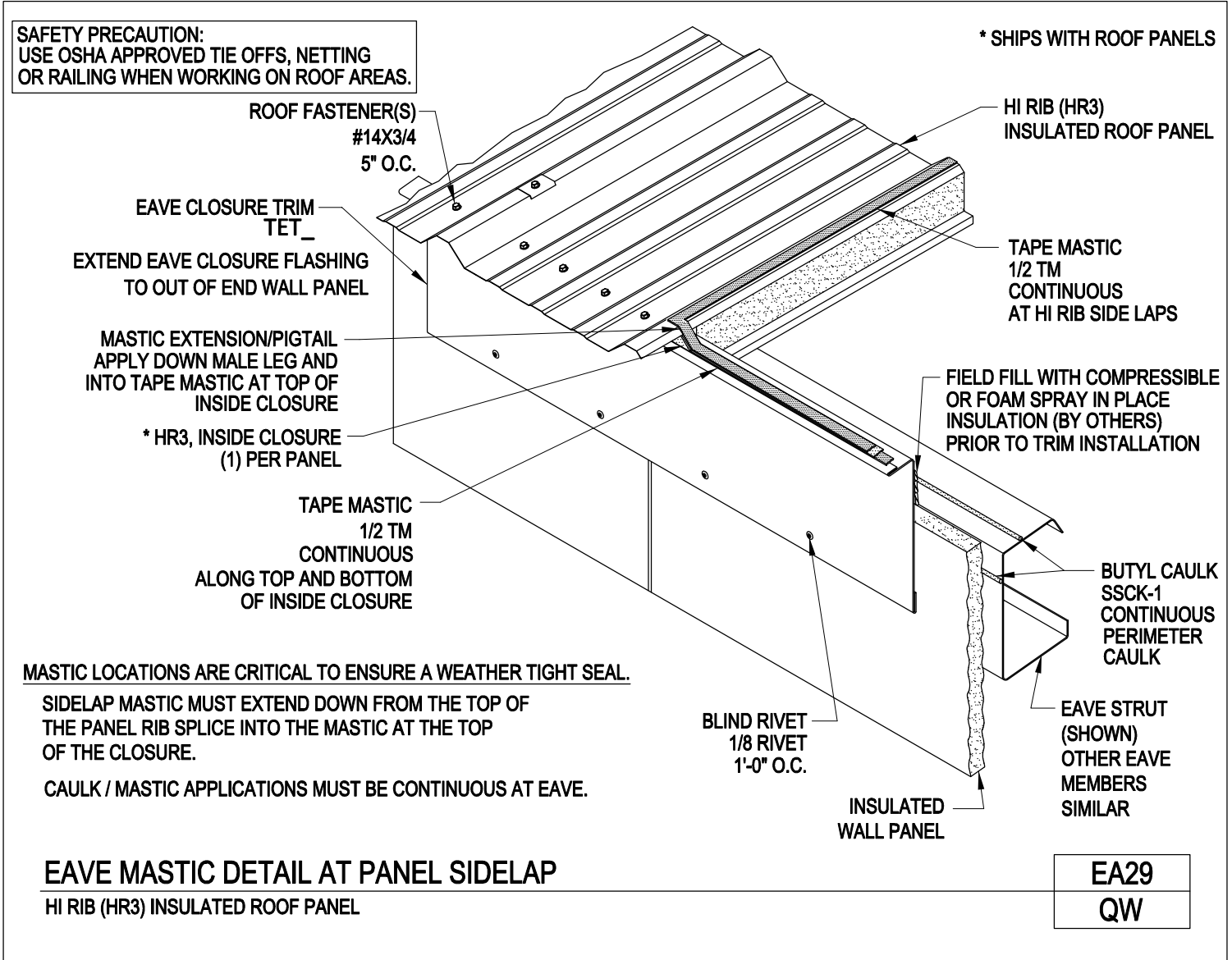
Trim and Mastic Application at Eave
 Insulated Wall Panels w/ Hi Rib (HR3) Insulated Roof Panels
 EA28/QW



[Download the DWG file by clicking here.](#)

[To Section Index](#)

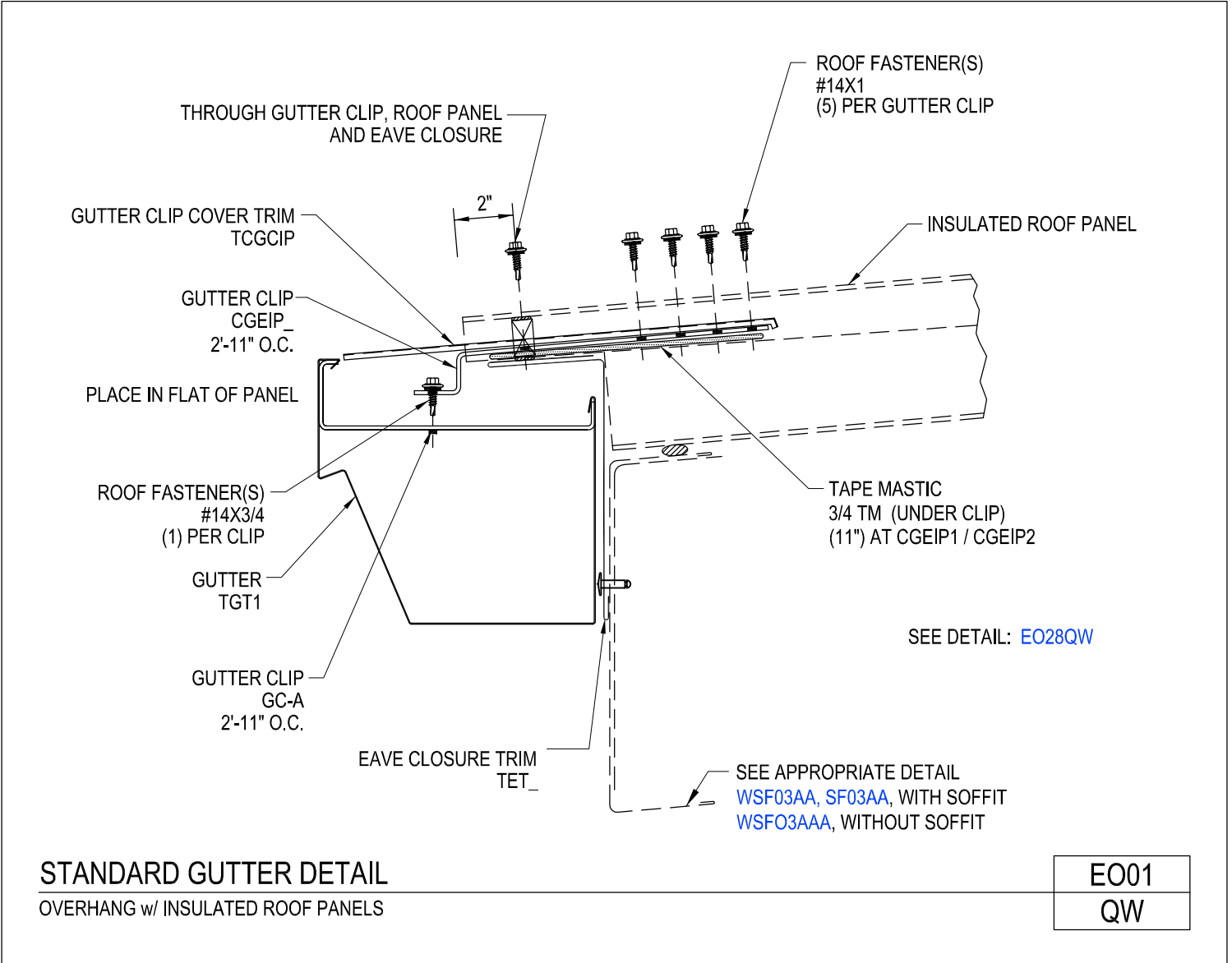
Eave Mastic Detail at Panel Sidelap
Hi Rib (HR3) Insulated Roof Panels
EA29/QW



[Download the DWG file by clicking here.](#)

[To Section Index](#)

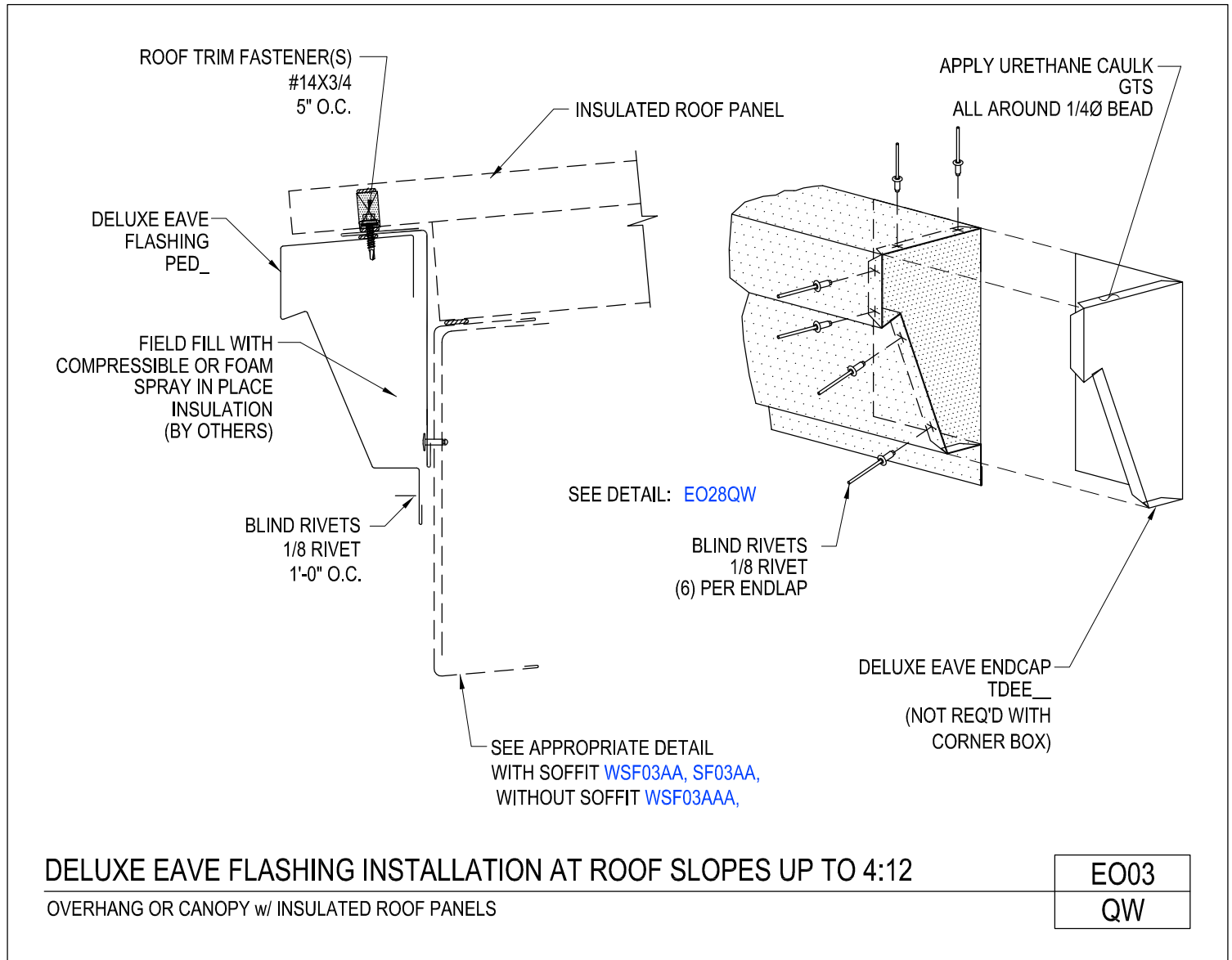
Standard Gutter Detail
Overhang w/ Insulated Roof Panels
EO01/QW



[Download the DWG file by clicking here.](#)

[To Section Index](#)

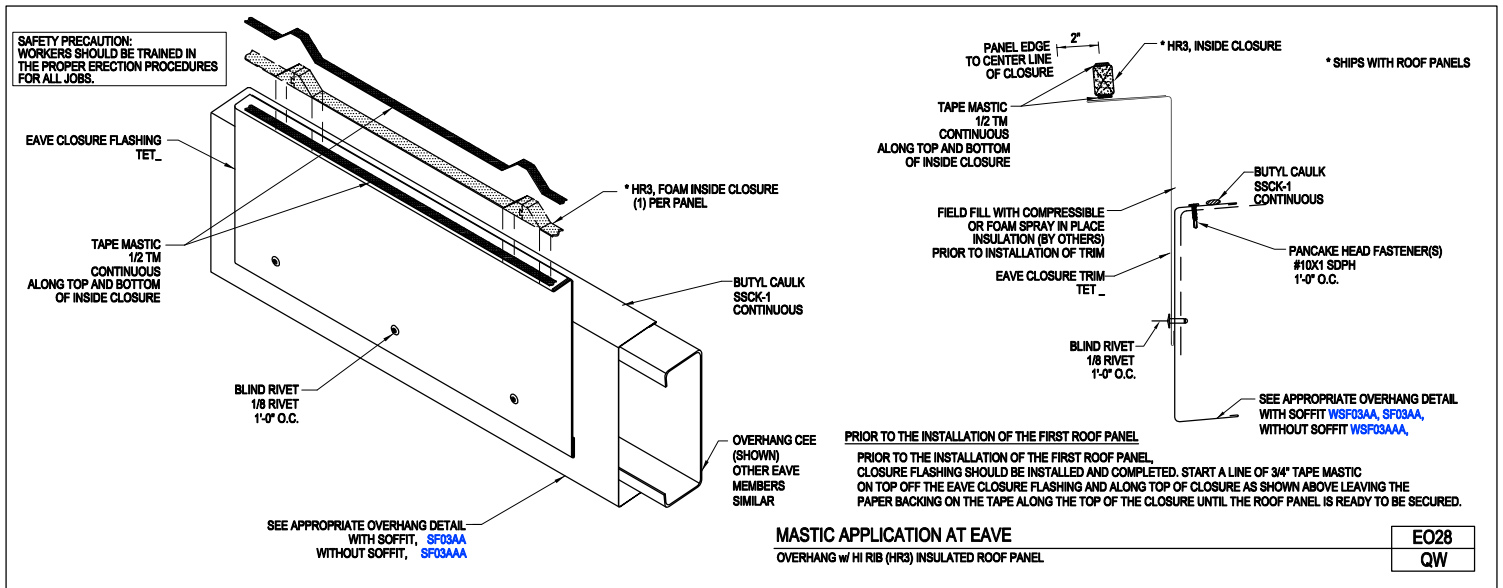
Deluxe Eave Flashing Installation at All Roof Slopes
Overhang w/ Insulated Roof Panels
EO03/QW



[Download the DWG file by clicking here.](#)

[To Section Index](#)

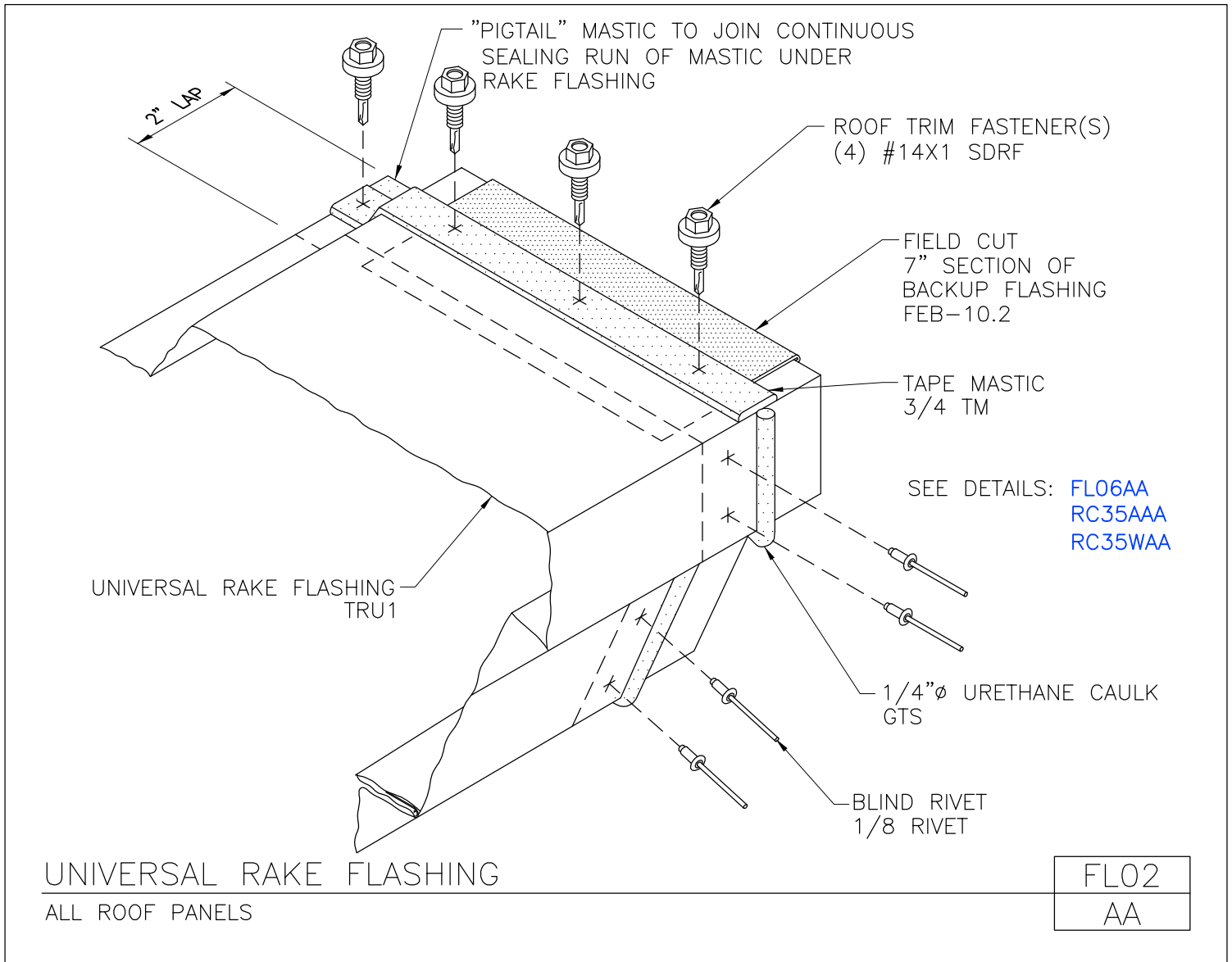
Mastic Application at Eave
Overhang w/ Hi Rib (HR3) Insulated Roof Panel
EQ28/QW



[Download the DWG file by clicking here.](#)

[To Section Index](#)

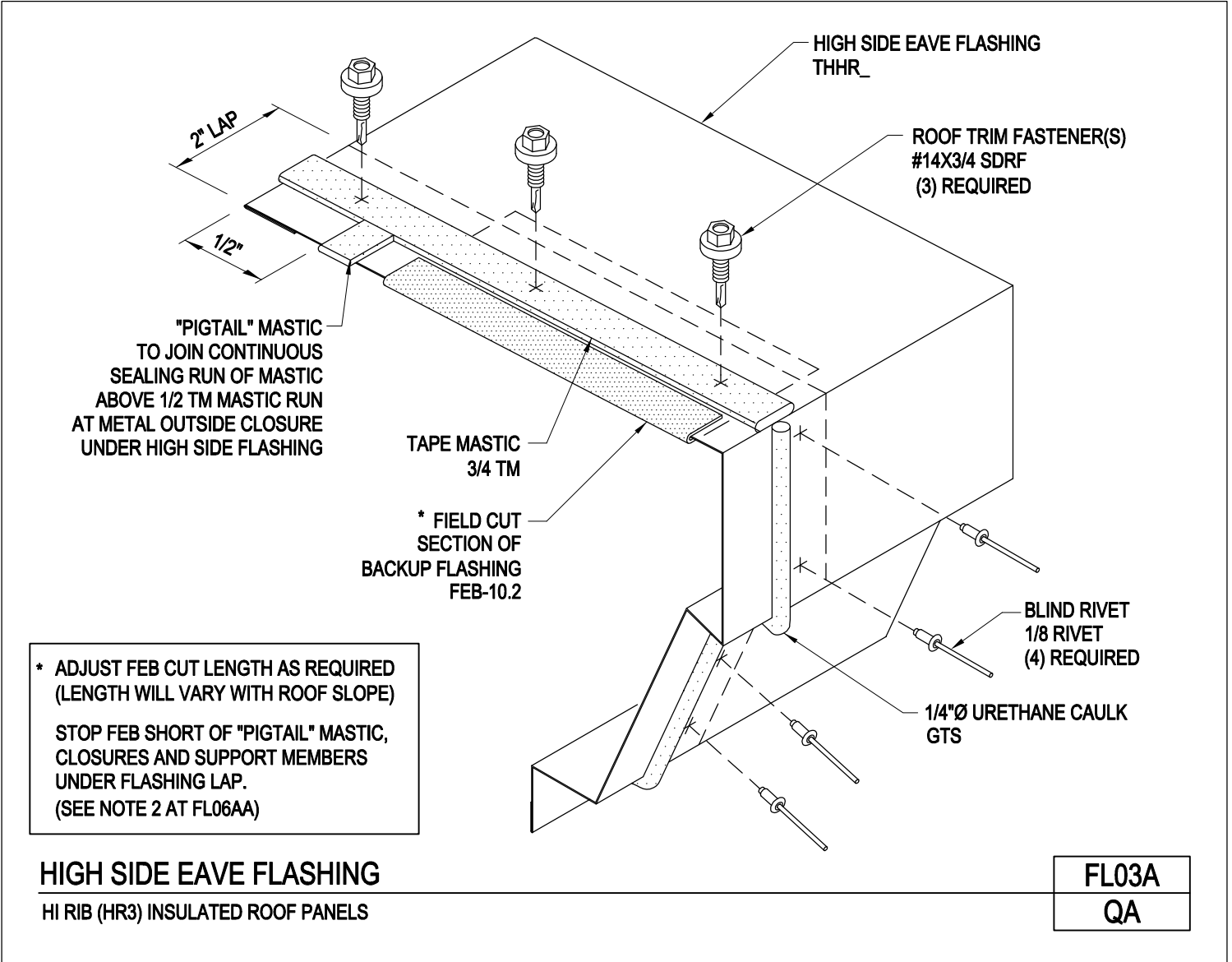
Universal Rake Flashing
All Roof Panels
FL02/AA



[Download the DWG file by clicking here.](#)

[To Section Index](#)

High Side Eave Flashing
Hi Rib (HR3) Insulated Roof Panels
FL03A/QA



[Download the DWG file by clicking here.](#)

[To Section Index](#)

Panel Storage - Unloading Panels
Insulated Panels
GE50/QW

Reinforced Lifting Points are Clearly Marked on the Panel Bundle (See Figure 1)
Long Length Panels have Two or More Lifting Points (See Figure 2).

Use Extreme Care to Avoid Bumping or Dropping the Panels while Lifting and Maneuvering.

Hoist the panels to the roof with the aid of nylon slings and a spreader bar to prevent any chance of bending or buckling the panels.

Unloading with a Forklift

- Over engagement of forks will cause damage to the materials located on the opposite side of the bundle being lifted
- Panels Should Not Deflect Significantly in the Lifting Process.
- Ensure the forks are between the 3" foam stickers at the bottom of each bundle. Lift bundles one at a time with the forklift

USE ONE FORKLIFT TO LIFT BUNDLES AT THE LIFT POINT SECTION.

LIFT POINT SECTION IS BOUNDARY MARKED IN RED. KEEP FORKS WITHIN THE MARKS.

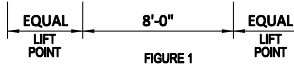


FIGURE 1
STANDARD LENGTH BUNDLES
10'-0" OR LONGER

Unloading with an Overhead Crane

- Use nylon reinforced slings or straps located at a minimum of two points along the length of the bundle for Crane lifting of the individual bundles.
- Chains or Cables should not come in contact with the panels.
- Specially stiff inserts should be located at top and bottom of the bundles at the sling positions to protect the edges of the upper and lower panels.
- When bundles are longer than 15'-0" it is suggested that a properly designed and fabricated lifting beam is used.

BE CAREFUL WHEN UNLOADING OR MOVING LONG LENGTH BUNDLES
DO NOT POSITION YOUR LIFT AT THE CENTER OF THE BUNDLE
THIS MAY CAUSE PANEL DAMAGE.

USE TWO FORKLIFTS OR CRANE STRAPS TO LIFT BUNDLES AT THE LIFT POINT SECTIONS.

KEEP FORKS OR STRAPS WITHIN THE MARKS.

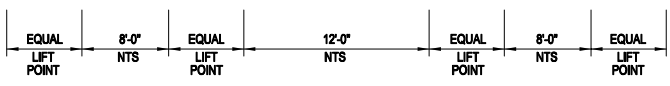


FIGURE 2
LONG LENGTH BUNDLES
36'-0" OR LONGER

PANEL STORAGE - UNLOADING PANELS
INSULATED PANELS

GE50
QW

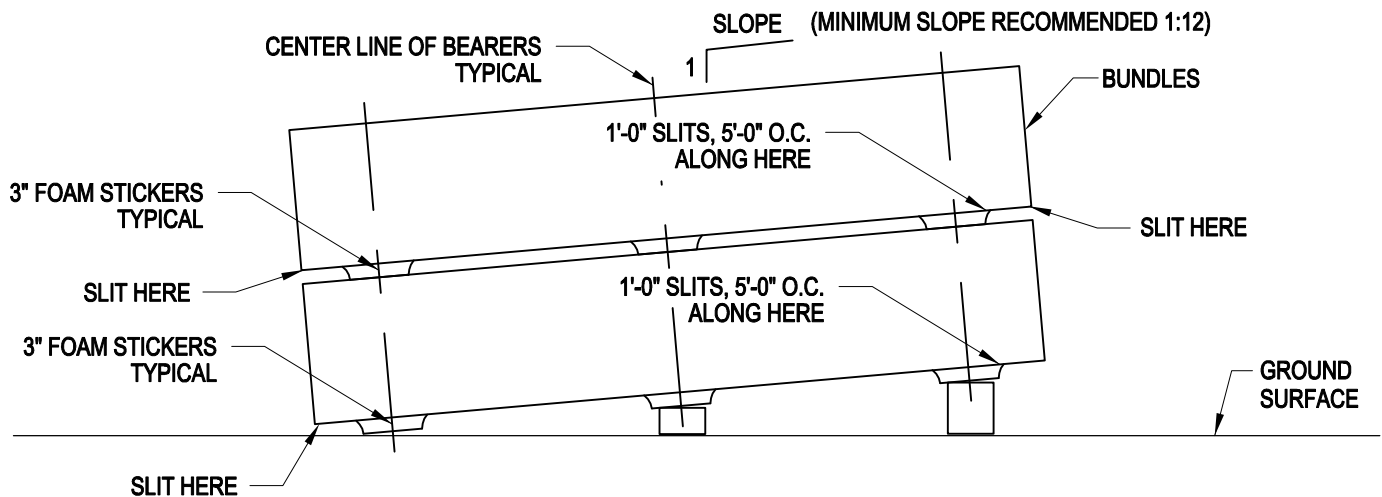
[Download the DWG file by clicking here.](#)

Panel Storage
Insulated Panels
GE51/WW

CAREFULLY, unload panel bundles and place directly in a protected storage area on a firm, level surface clear of debris, standing water, direct sun and drifting snow and under cover*, for preferably no more than 30 days.

Stack bundles no more than (2) high with the foam stickers for the upper bundle should be located in line with the foam stickers of the lower bundle. Elevate with wood blocking, to allow air circulation under the bundle and on at least a 1:12 slope so water does not accumulate. Slit plastic wrap at base to allow air flow. The continuous cut should be made along the width of the bundle and 1'-0" at 5'-0" O.C. along the length of the bundle. The addition of a waterproof cover will be required to protect panels from wet weather and sun exposure during transit.

* Always, store the panels properly in a dry location where they are covered from direct sunlight. Prolonged exposure to direct sunlight will cause the plastic film to bond to the metal panel face. Plastic film that has bonded to the metal surface becomes very difficult to remove.



INSPECT PANELS DAILY

Inspect daily for moisture and insure no sags are present. Trapped moisture can damage the panel finish and void applicable finish warranties.

If panel bundles containing moisture or sags should be dried and carefully re-stacked to avoid damage to panels.

Bundles should be firmly tied or weighted down once bundle is broken open.

PANEL STORAGE

INSULATED PANELS

GE51
WW

[Download the DWG file by clicking here.](#)

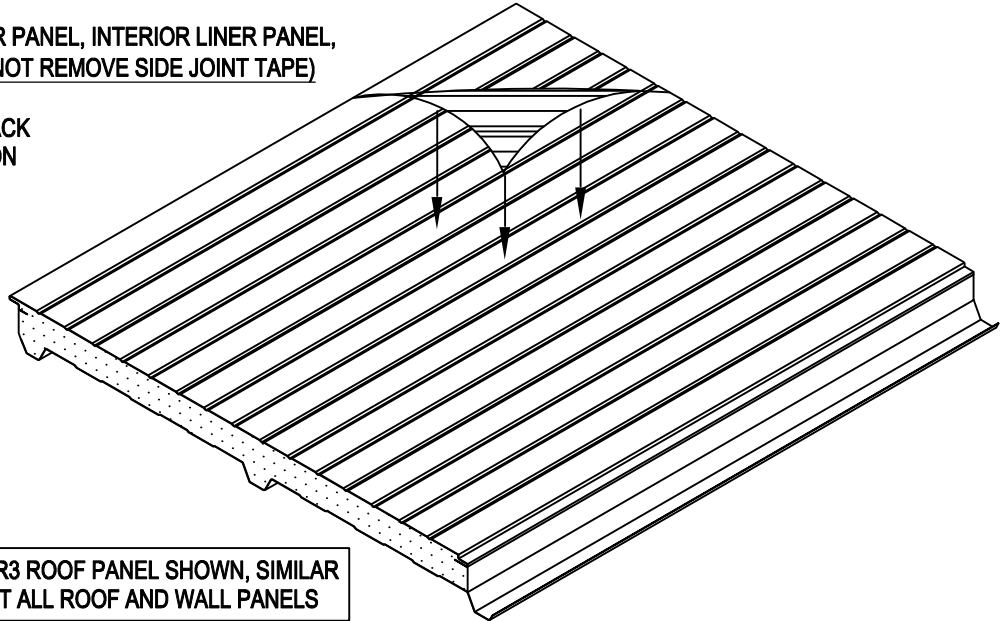
[To Section Index](#)

Removing Protective Film
Insulated Panels
GE52/QW

**PROTECTIVE FILM REMOVAL AT EXTERIOR PANEL, INTERIOR LINER PANEL,
AND PANEL AREA OF SIDE JOINTS (DO NOT REMOVE SIDE JOINT TAPE)**

STARTING AT A PANEL CORNER PULL BACK
FILM AT A 45° ANGLE WITH EVEN TENSION
PULL WITH EVEN TENSION TO
PREVENT TEARING AND
FACILITATE REMOVAL.

IF ADHESIVE RESIDUE IS
PRESENT AFTER FILM REMOVAL
CLEAN THE PANEL SURFACE WITH
A SOFT CLOTH AND WATER
(A CITRUS BASE SOLUTION ADDED
TO THE WATER WILL ENHANCE
REMOVAL OF ADHESIVE RESIDUE).



HR3 ROOF PANEL SHOWN, SIMILAR
AT ALL ROOF AND WALL PANELS

DO NOT REMOVE THE PROTECTIVE FILM FROM THE PANEL UNTIL THAT PANEL IS READY FOR INSTALLATION.

INSULATED PANELS TEMPORARY PROTECTIVE PLASTIC FILM KEEPS THE METAL
SURFACE CLEAN AND HELP PREVENT DAMAGE IN SHIPPING AND HANDLING.

STORE PANELS PROPERLY IN A DRY LOCATION WHERE THEY ARE COVERED FROM DIRECT SUNLIGHT.

PROTECTIVE PLASTIC FILM IS NOT TO BE EXPOSED TO DIRECT SUNLIGHT FOR MORE THAN 48 HOURS.
PROLONGED EXPOSURE TO DIRECT SUNLIGHT MAY CAUSE THE PLASTIC FILM TO BOND TO THE METAL
PANEL FACE. PROLONGED EXPOSURE TO TEMPERATURES ABOVE 80°F IS NOT RECOMMENDED AS IT
MAY RESULT IN RESIDUAL ADHESION RESIDUE ON THE PANEL FACE.

REMOVING PROTECTIVE FILM

INSULATED PANELS

GE52
QW

[Download the DWG file by clicking here.](#)

[To Section Index](#)

Weather Tightness Requirements
Insulated Panels
GE54/QW

WEATHER TIGHTNESS REQUIREMENTS

TO PREVENT CONDENSATION ISSUES CARE MUST BE TAKEN BY THE INSULATED PANEL INSTALLER TO ENSURE PROPER SEALING OF THE BUILDING.

NOTE THE FOLLOWING:

- A) ALL MATERIALS MUST BE INSTALLED AS SHOWN ON THE PROVIDED ERECTION DETAILS.
- B) ALL PERIMETER CAULKING AND BUTYL SEALANT APPLICATIONS MUST BE INSTALLED AS SHOWN ON THE ERECTION DETAILS.
- C) CONTINUOUS CAULK AND TAPE MASTIC APPLICATIONS (FACTORY OR FIELD) MUST BE CAREFULLY INSPECTED AND ANY VOIDS FOUND MUST BE FIELD APPLIED.
- D) GAPS, VOIDS OR AIR SPACE CREATED AT PANEL TO PANEL TRANSITIONS; AS AT RAKE, LOW EAVE, RIDGE, HIGH SIDE EAVE, ROOF TO WALL OR CORNERS MUST BE FIELD FILLED WITH LOOSE COMPRESSIBLE OR FOAM SPRAY IN PLACE INSULATION (BY OTHERS UNLESS SPECIFICALLY ORDERED AND NOTED ON THE ERECTION DRAWING.

AMERICAN BUILDINGS COMPANY WILL NOT BE RESPONSIBLE FOR ANY CONDENSATION ISSUES THAT MAY OCCUR DUE TO IMPROPER INSTALLATION.

IF THE ERECTOR IS NOT EXPERIENCED WITH THE INSULATED PANELS SUPPLIED BY AMERICAN BUILDINGS COMPANY, IT IS STRONGLY RECOMMENDED THAT A FIELD TECHNICIAN BE ON SITE BEFORE BEGINNING PANEL INSTALLATION. PANEL INSTALLATION. CONTACT YOUR PROJECT COORDINATOR TO REQUEST AND SCHEDULE A FIELD TECHNICIAN.

WEATHER TIGHTNESS REQUIREMENTS

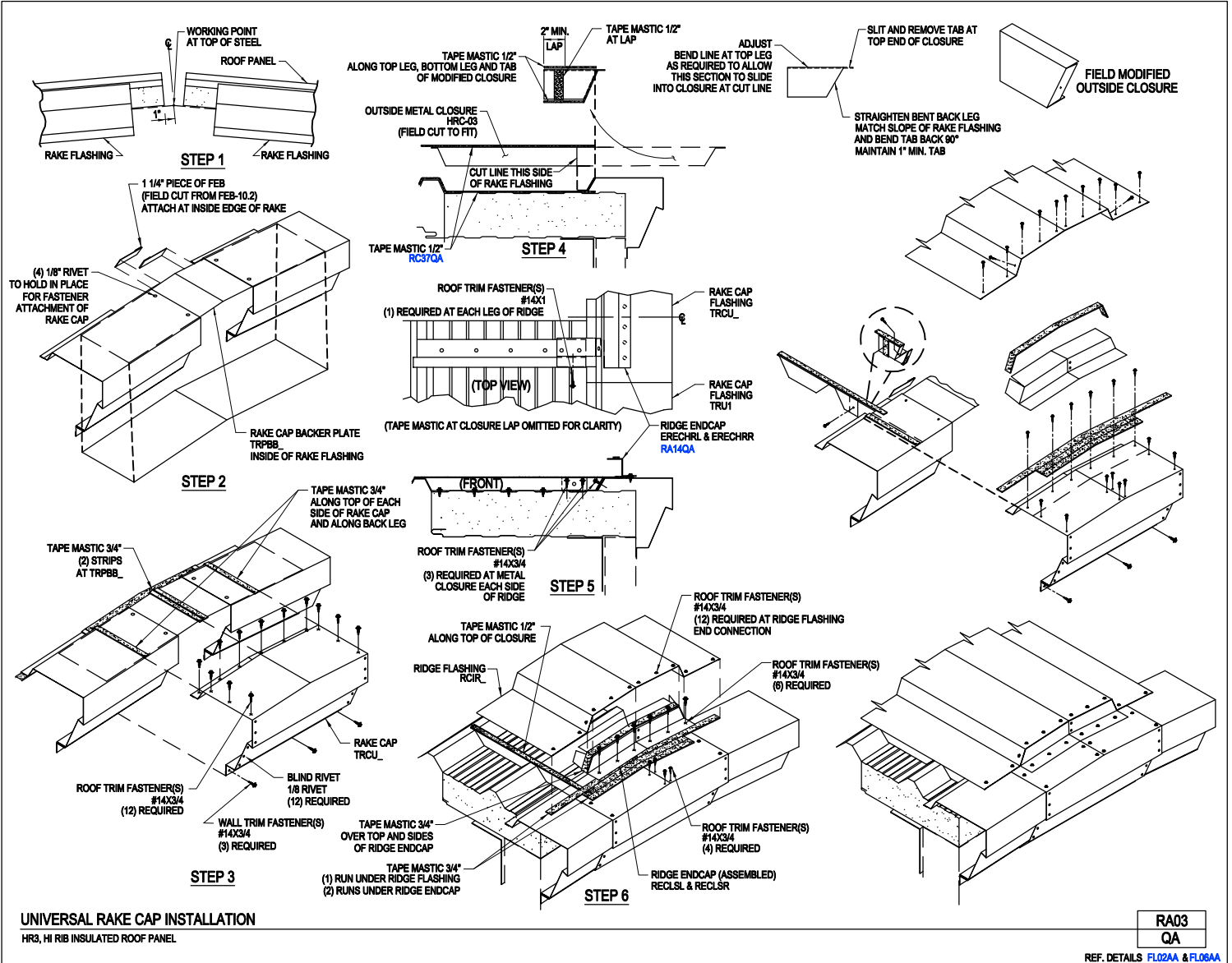
INSULATED PANELS

GE54
QW

[Download the DWG file by clicking here.](#)

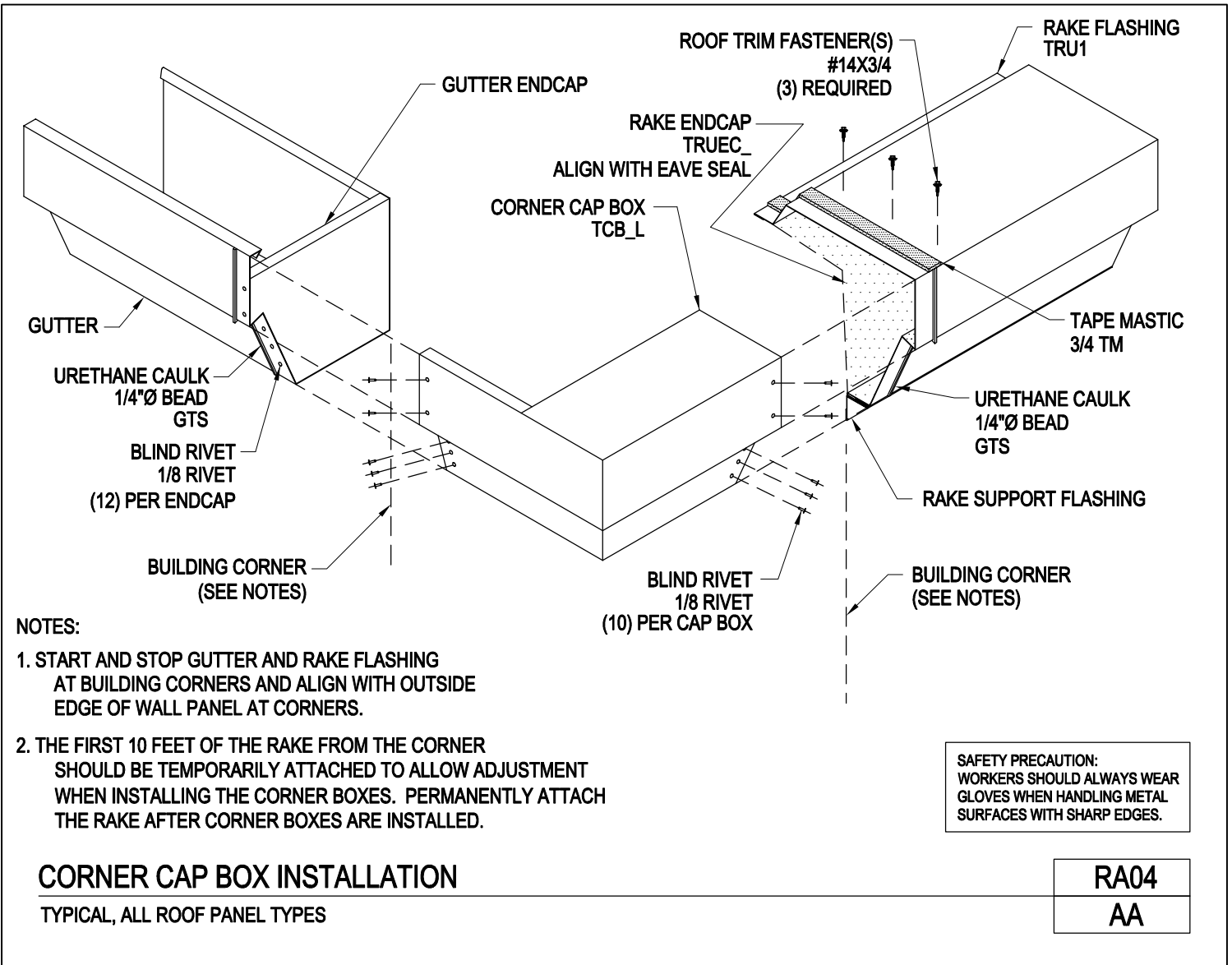
[To Section Index](#)

Universal Rake Cap Installation
 HR3, Hi Rib Insulated Roof Panel
 RA03/QA



[Download the DWG file by clicking here.](#)

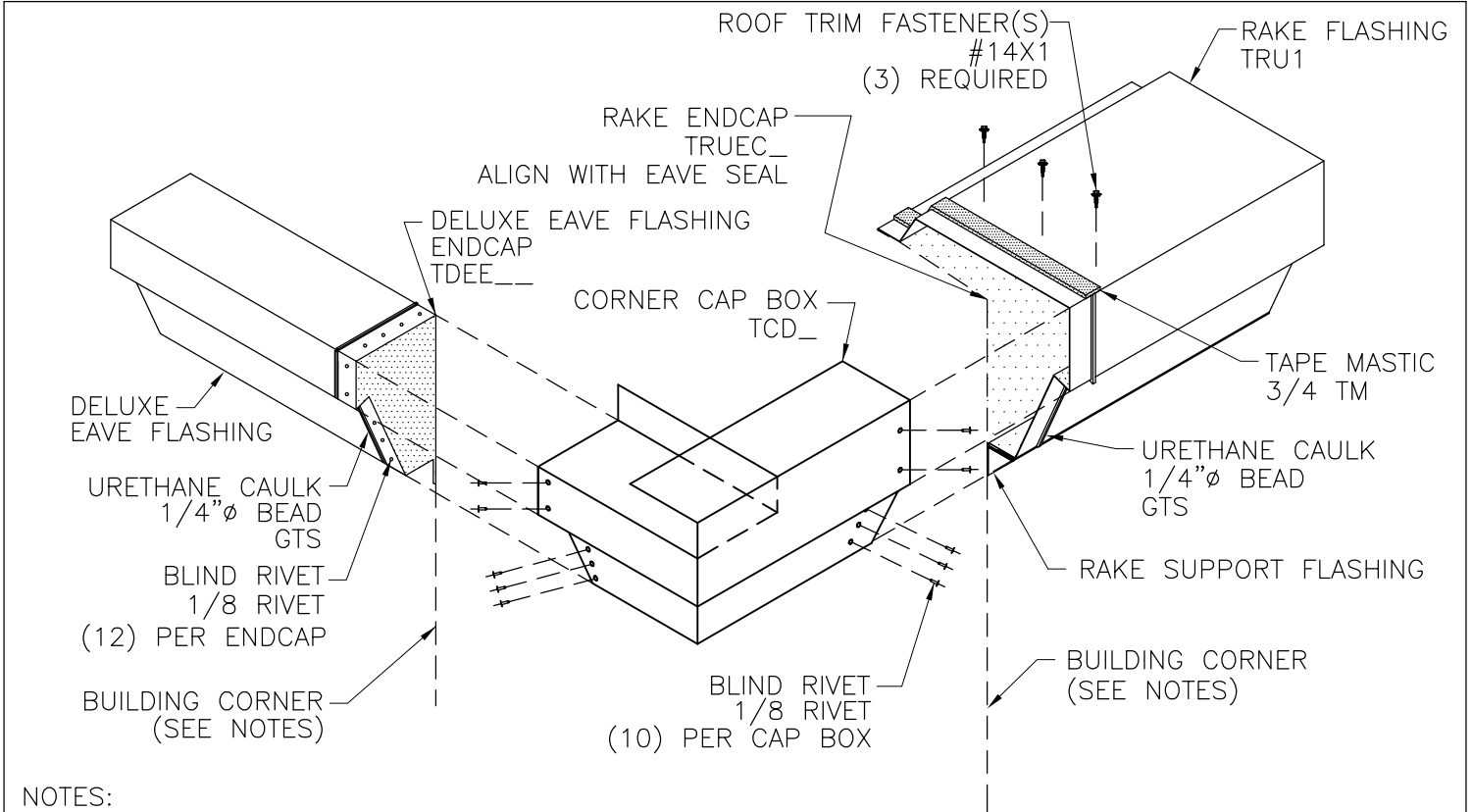
Corner Cap Box Installation
Typical All Roof Panel Types
RA04/AA



[Download the DWG file by clicking here.](#)

[To Section Index](#)

Corner Cap Box Installation
 Typical All Roof Panels
 RA04A/AA



NOTES:

1. START AND STOP DELUXE EAVE AND RAKE FLASHING AT BUILDING CORNERS AND ALIGN WITH OUTSIDE EDGE OF WALL PANEL AT CORNERS.
2. THE FIRST 10 FEET OF THE RAKE FROM THE CORNER SHOULD BE TEMPORARILY ATTACHED TO ALLOW ADJUSTMENT WHEN INSTALLING THE CORNER BOXES. PERMANENTLY ATTACH THE RAKE AFTER CORNER BOXES ARE INSTALLED.

SAFETY PRECAUTION:
 WORKERS SHOULD ALWAYS WEAR GLOVES WHEN HANDLING METAL SURFACES WITH SHARP EDGES.

CORNER CAP BOX INSTALLATION

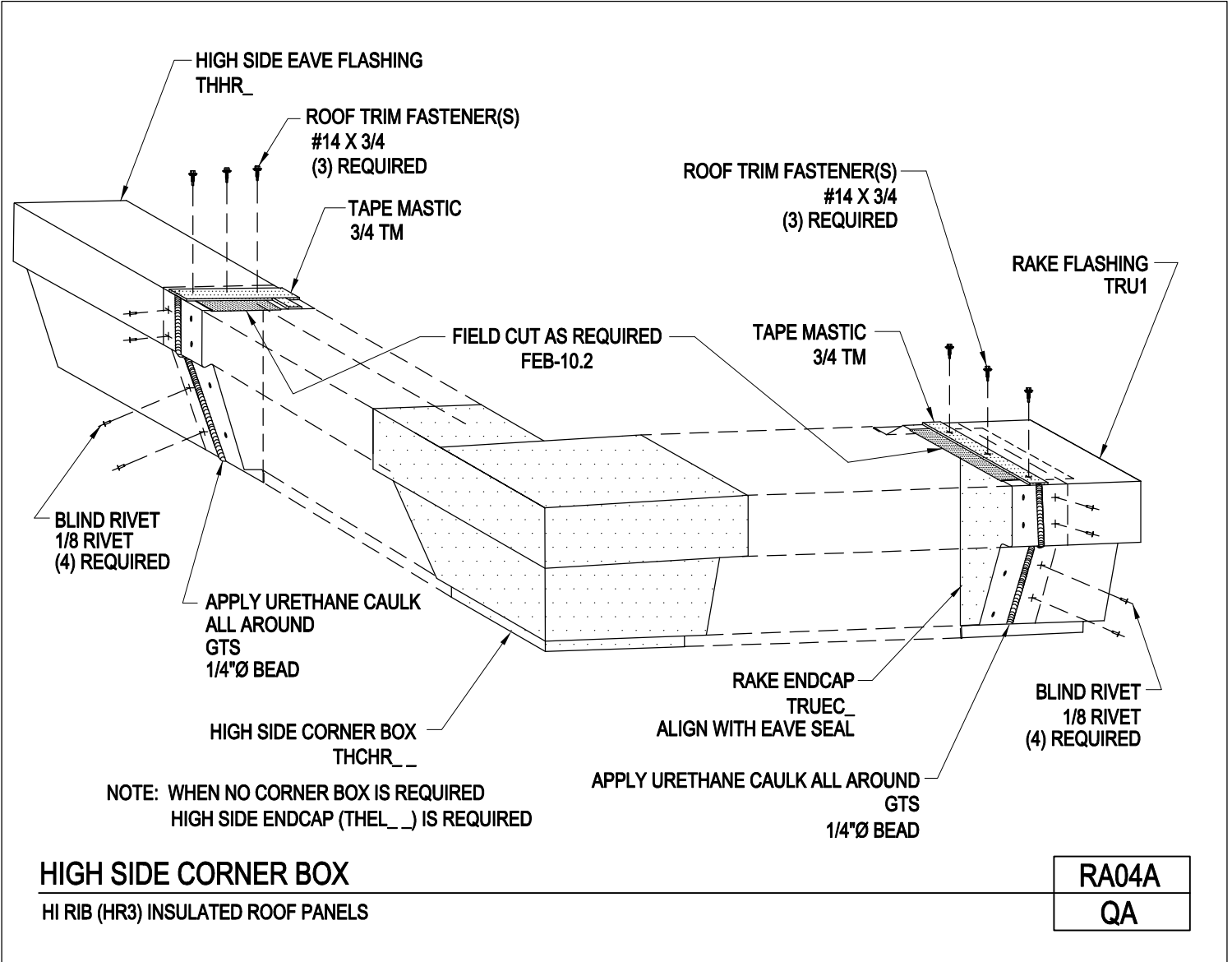
TYPICAL, ALL ROOF PANELS

RA04A
AA

[Download the DWG file by clicking here.](#)

[To Section Index](#)

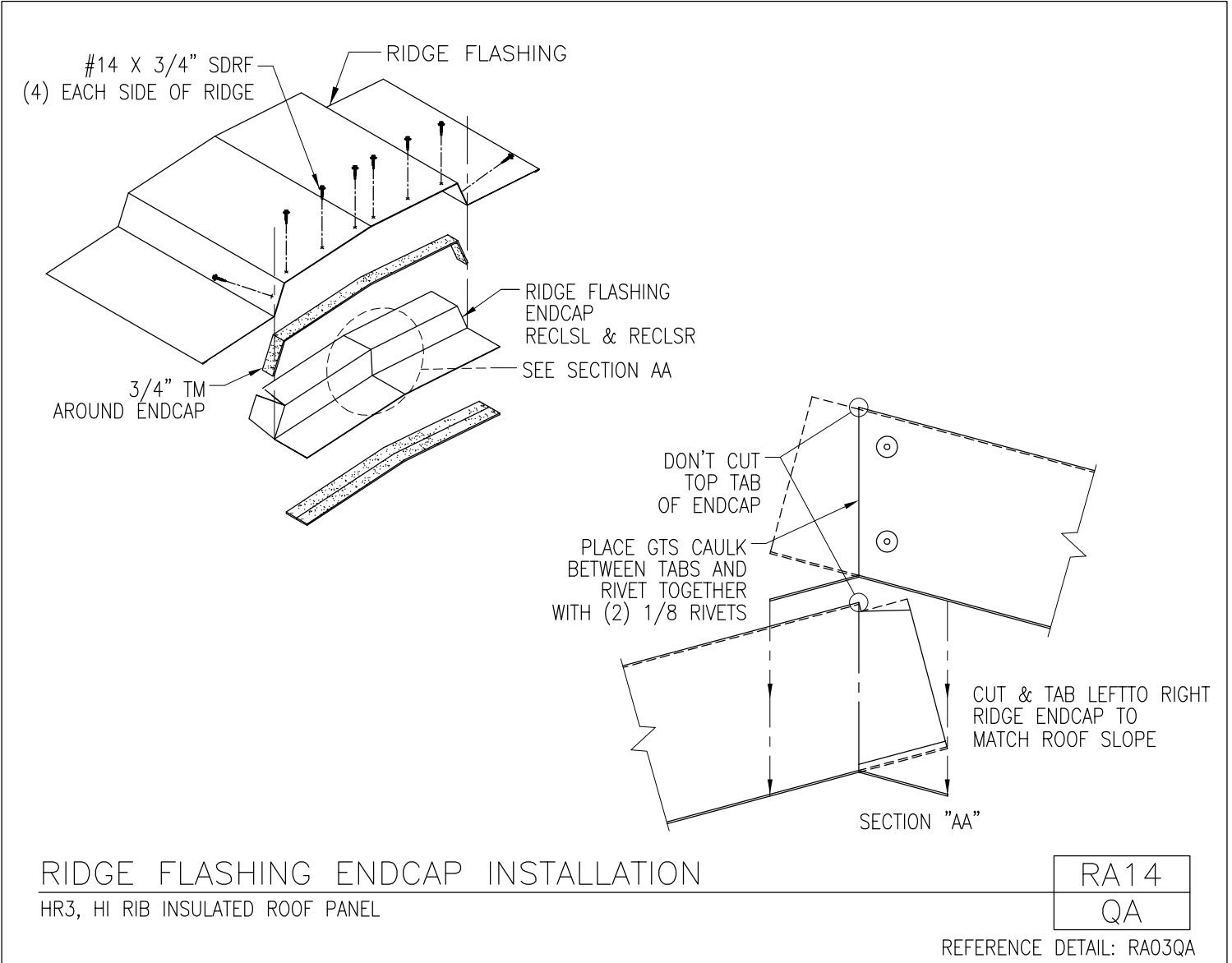
High Side Corner Box
Hi Rib (HR3) Insulated Roof Panels
RA04A/QA



[Download the DWG file by clicking here.](#)

[To Section Index](#)

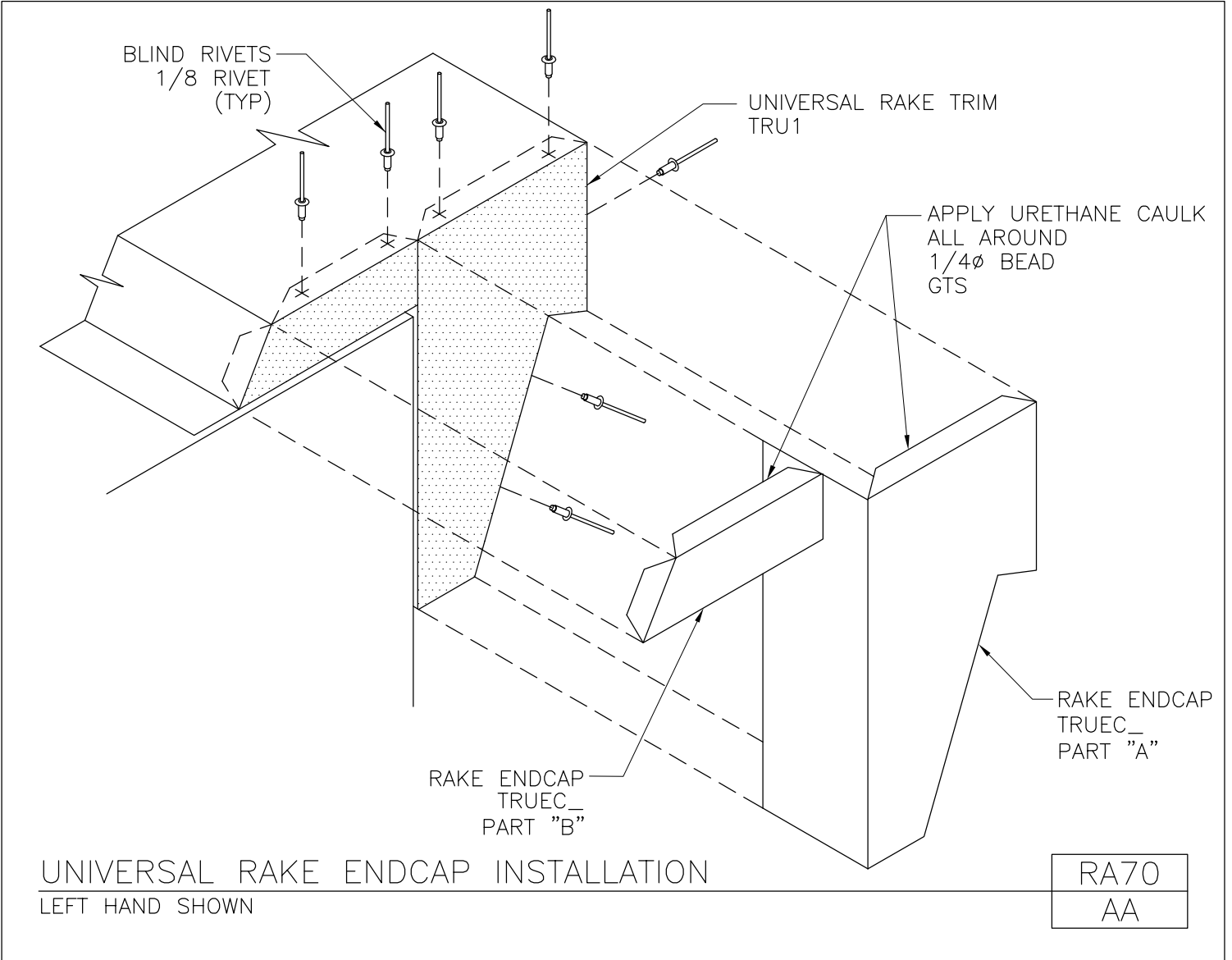
Ridge Flashing Endcap Installation
HR3, Hi Rib Insulated Roof Panel
RA14/QA



[Download the DWG file by clicking here.](#)

[To Section Index](#)

Universal Rake Endcap Installation
Left Hand Shown
RA70/AA

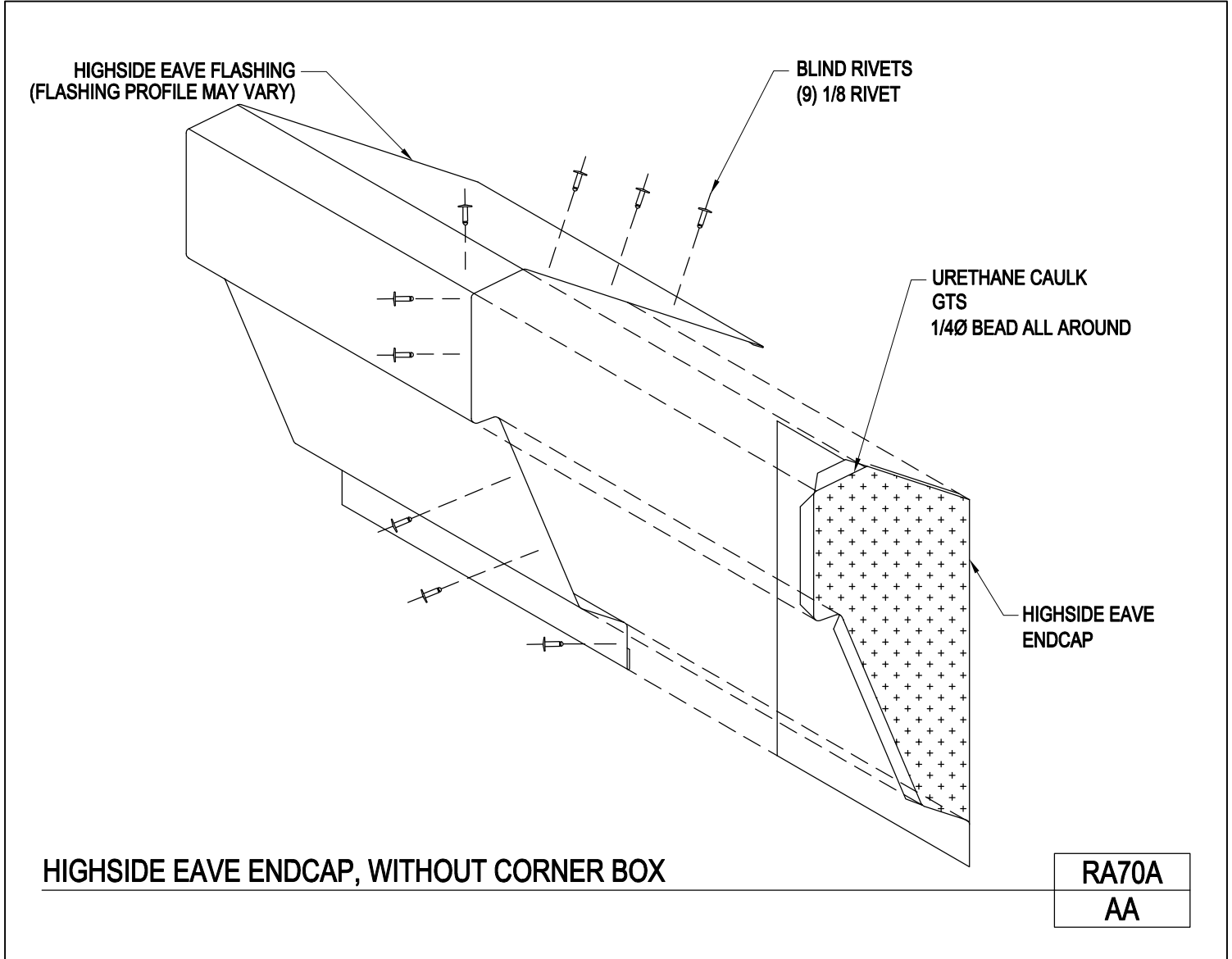


[Download the DWG file by clicking here.](#)

[To Section Index](#)

Highside Eave Endcap, Without Corner Box

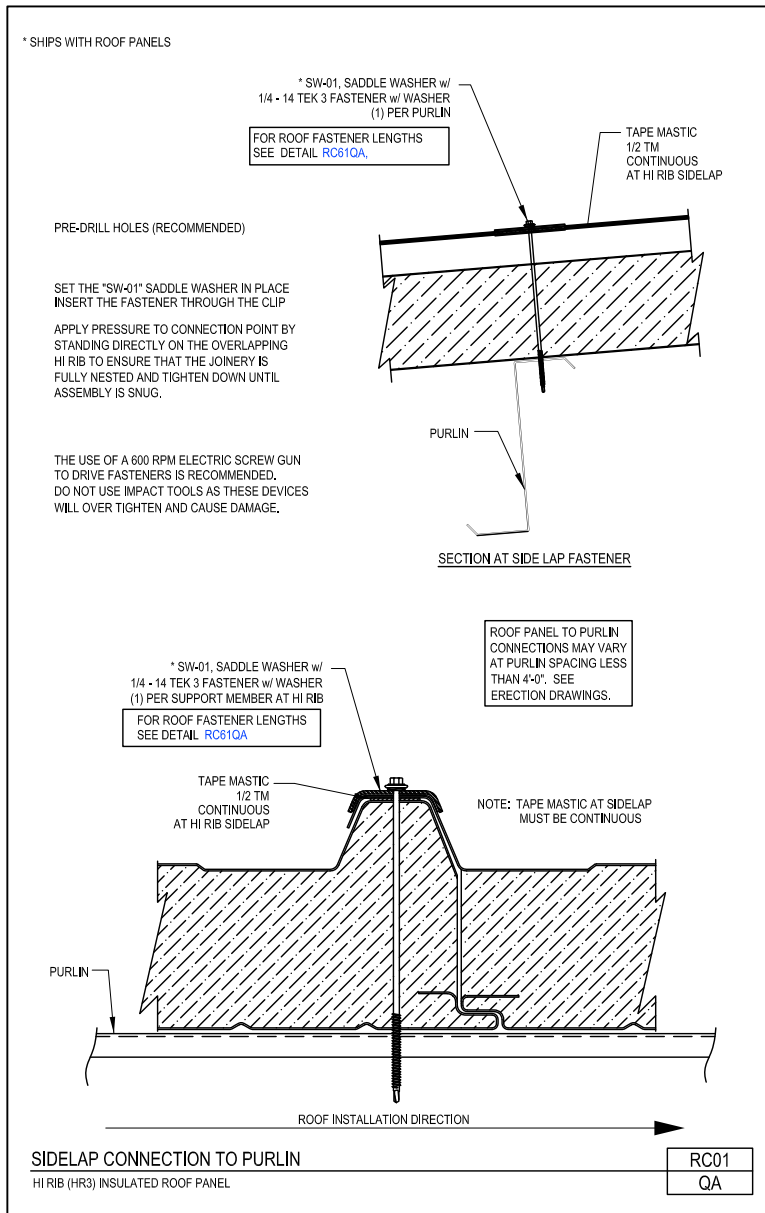
RA70A/AA



[Download the DWG file by clicking here.](#)

[To Section Index](#)

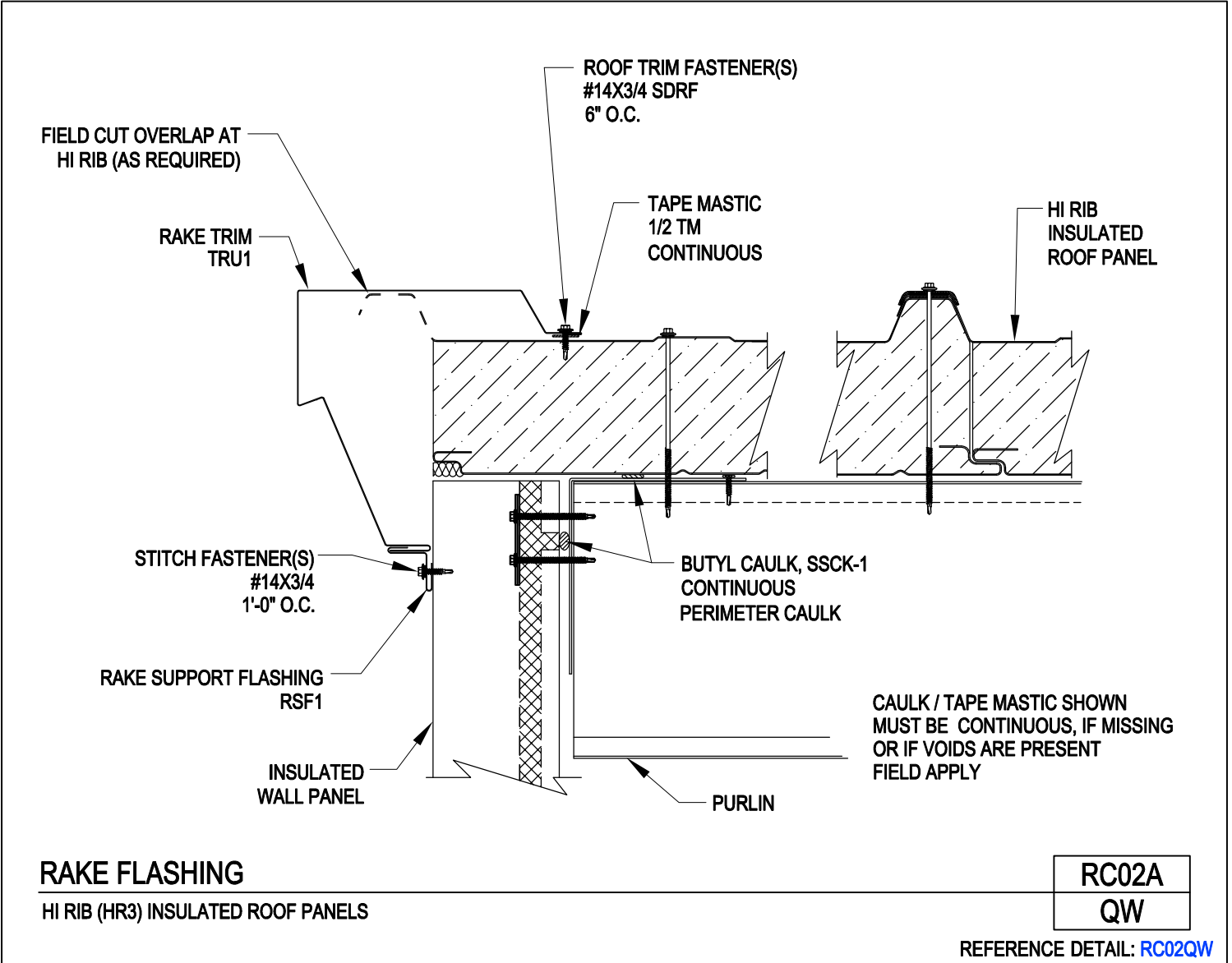
Sidelap Connection to Purlin
Hi Rib (HR3) Insulated Roof Panels
RC01/QA



[Download the DWG file by clicking here.](#)

[To Section Index](#)

Rake Flashing
Hi Rib (HR3) Insulated Roof Panels
RC02A/QW



[Download the DWG file by clicking here.](#)

[To Section Index](#)

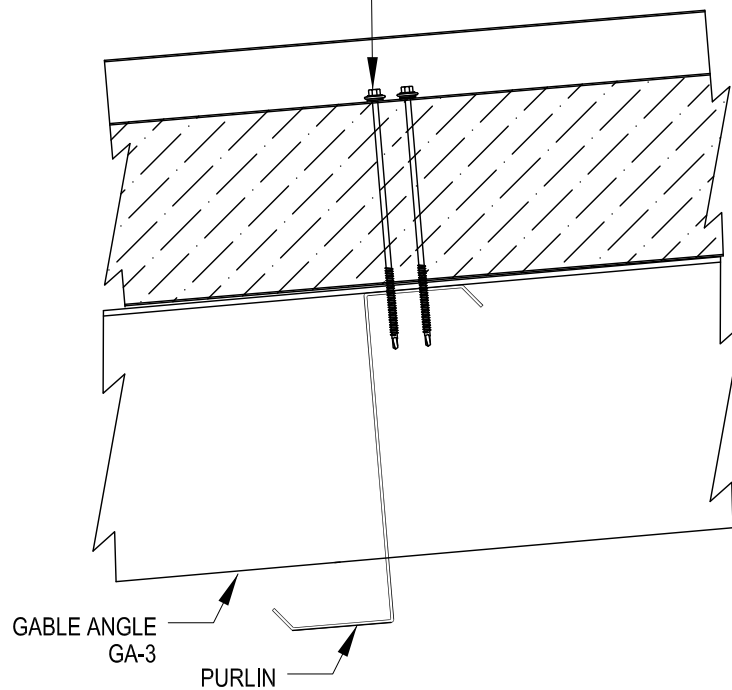
Fastening Section at Rake
Insulated Roof Panels
RC02B/QA

1/4 - 14 TEK 3 FASTENER w/ WASHER
(2) PER PURLIN

FOR ROOF FASTENER LENGTHS
SEE DETAIL [RC61QA](#), [RC61RA](#)

PRE-DRILL HOLES (RECOMMENDED)

THE USE OF A 600 RPM ELECTRIC SCREW GUN TO DRIVE FASTENERS IS RECOMMENDED.
DO NOT USE IMPACT TOOLS AS THESE DEVICES WILL OVER TIGHTEN AND CAUSE DAMAGE.



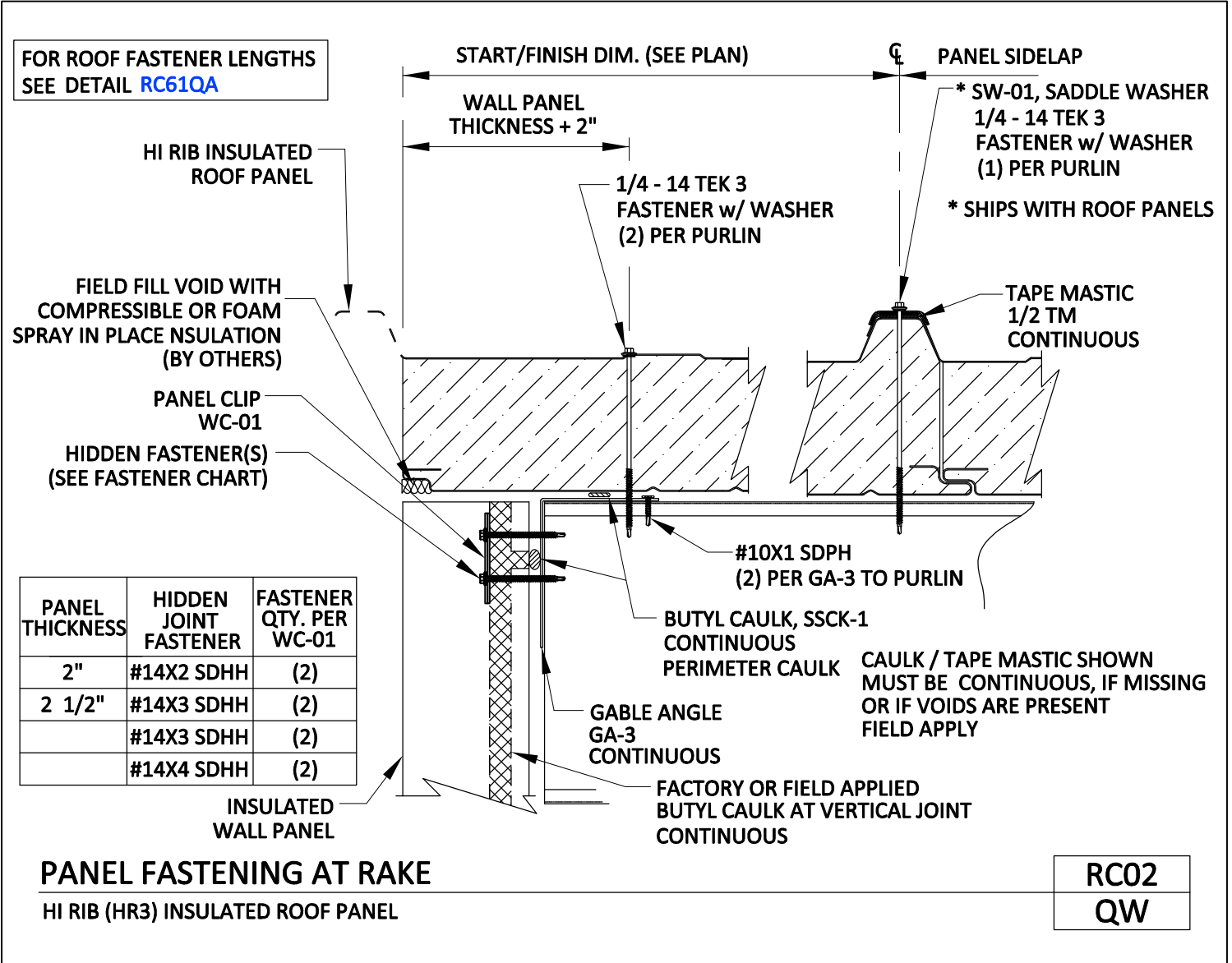
FASTENING SECTION AT RAKE
INSULATED ROOF PANELS

RC02B
QA

[Download the DWG file by clicking here.](#)

[To Section Index](#)

Panel Fastening at Rake
 Hi Rib (HR3) Insulated Roof Panels
 RC02/QW



[Download the DWG file by clicking here.](#)

[To Section Index](#)



**AMERICAN
BUILDINGS**

A **NUCOR** COMPANY

PRODUCT MANUAL

INSULATED HI RIB ROOF PANELS

Special Hi Rib to Intermediate Hi Rib to Purlin, When Required by Design

Hi Rib (HR3) Insulated Roof Panel

RC05AA/QA

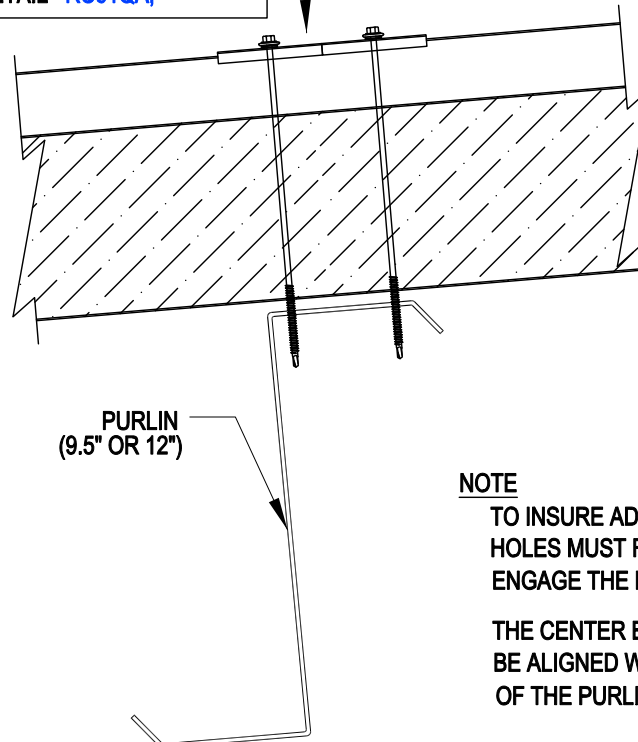
* SHIPS WITH ROOF PANELS

* (2) SW-01, SADDLE WASHERS w/
1/4 - 14 TEK 3 FASTENERS w/ WASHERS
(2) PER PURLIN
SEE NOTE

FOR ROOF FASTENER LENGTHS
SEE DETAIL [RC61QA](#),

SET THE "SW-01" SADDLE WASHER IN PLACE
INSERT THE FASTENER THROUGH THE CLIP

THE USE OF A 600 RPM ELECTRIC SCREW GUN
TO DRIVE FASTENERS IS RECOMMENDED.
DO NOT USE IMPACT TOOLS AS THESE DEVICES
WILL OVER TIGHTEN AND CAUSE DAMAGE.



NOTE

TO INSURE ADEQUATE FASTENING, 1/8" OR 5/32" PILOT HOLES MUST FIRST BE DRILLED SO THAT FASTENER WILL ENGAGE THE PURLIN FLANGE IN THE FLAT AREA.

THE CENTER BETWEEN THE TWO FASTENERS SHOULD BE ALIGNED WITH THE CENTER OF THE FLAT PORTION OF THE PURLIN FLANGE.

SPECIAL HI RIB TO INTERMEDIATE PURLIN, WHEN REQUIRED BY DESIGN

HI RIB (HR3) INSULATED ROOF PANEL

RC05AA
QA

[Download the DWG file by clicking here.](#)

[To Section Index](#)



AMERICAN BUILDINGS

A NUCOR COMPANY

PRODUCT MANUAL

INSULATED HI RIB ROOF PANELS

Intermediate Hi Rib to Purlin (Typ.)

Hi Rib (HR3) Insulated Roof Panel

RC05A/QA

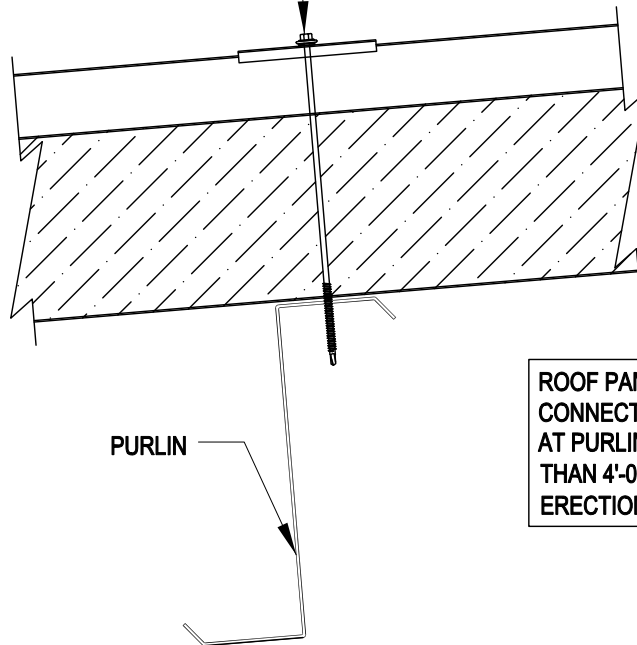
* SHIPS WITH ROOF PANELS

* SW-01, SADDLE WASHER w/
1/4 - 14 TEK 3 FASTENER w/ WASHER
(1) PER PURLIN

FOR ROOF FASTENER LENGTHS
SEE DETAIL [RC61QA](#),

SET THE "SW-01" SADDLE WASHER IN PLACE
INSERT THE FASTENER THROUGH THE CLIP

THE USE OF A 600 RPM ELECTRIC SCREW GUN
TO DRIVE FASTENERS IS RECOMMENDED.
DO NOT USE IMPACT TOOLS AS THESE DEVICES
WILL OVER TIGHTEN AND CAUSE DAMAGE.



ROOF PANEL TO PURLIN
CONNECTIONS MAY VARY
AT PURLIN SPACING LESS
THAN 4'-0". SEE
ERECTION DRAWINGS.

INTERMEDIATE HI RIB TO PURLIN (TYP)

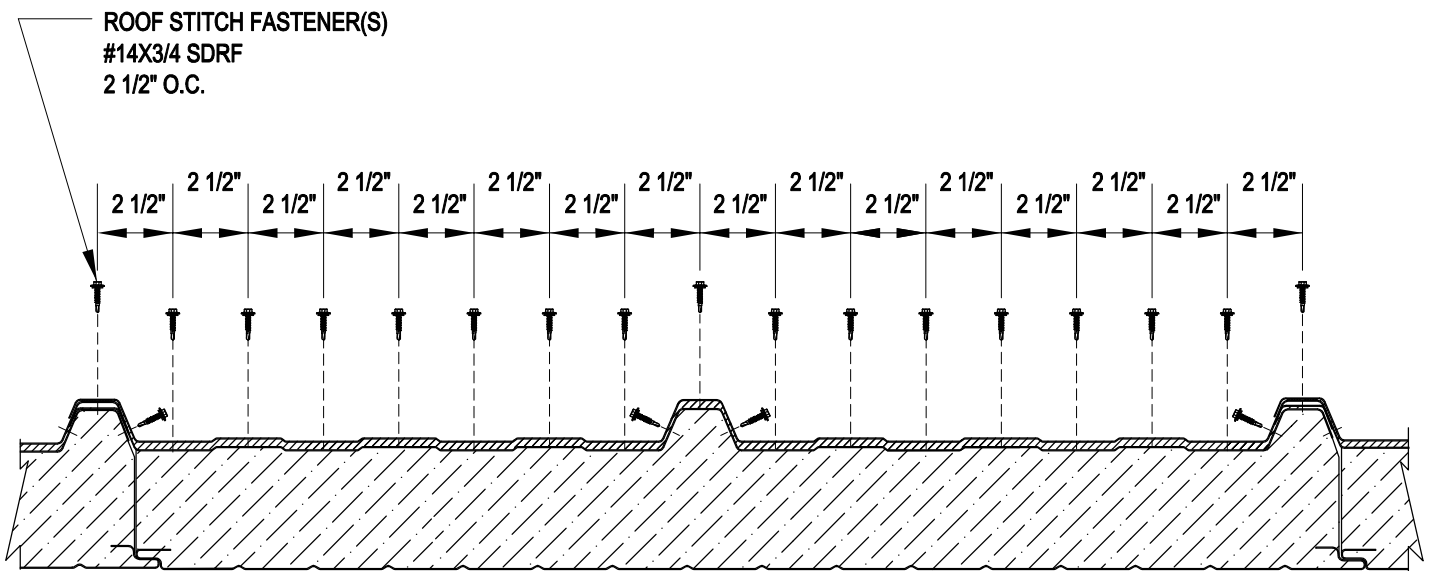
HI RIB (HR3) INSULATED ROOF PANEL

RC05A
QA

[Download the DWG file by clicking here.](#)

[To Section Index](#)

Stitch Fastening at Panel End Lap
Hi Rib (HR3) Insulated Roof Panels
RC05B/QA



**PANEL END LAP
TYPICAL STITCH FASTENER PATTERN**

**AFTER ALL HI RIB FASTENERS ARE INSTALLED AT CONNECTING PANELS ALONG BOTH SIDELAPS
THEN FASTEN DOWN THE END LAP USING STITCH FASTENERS AT 2 1/2" O.C.**

STITCH FASTENING AT PANEL END LAP

HI RIB (HR3) INSULATED ROOF PANEL

RC05B
QA

[Download the DWG file by clicking here.](#)

[To Section Index](#)



AMERICAN BUILDINGS

A **NUCOR** COMPANY

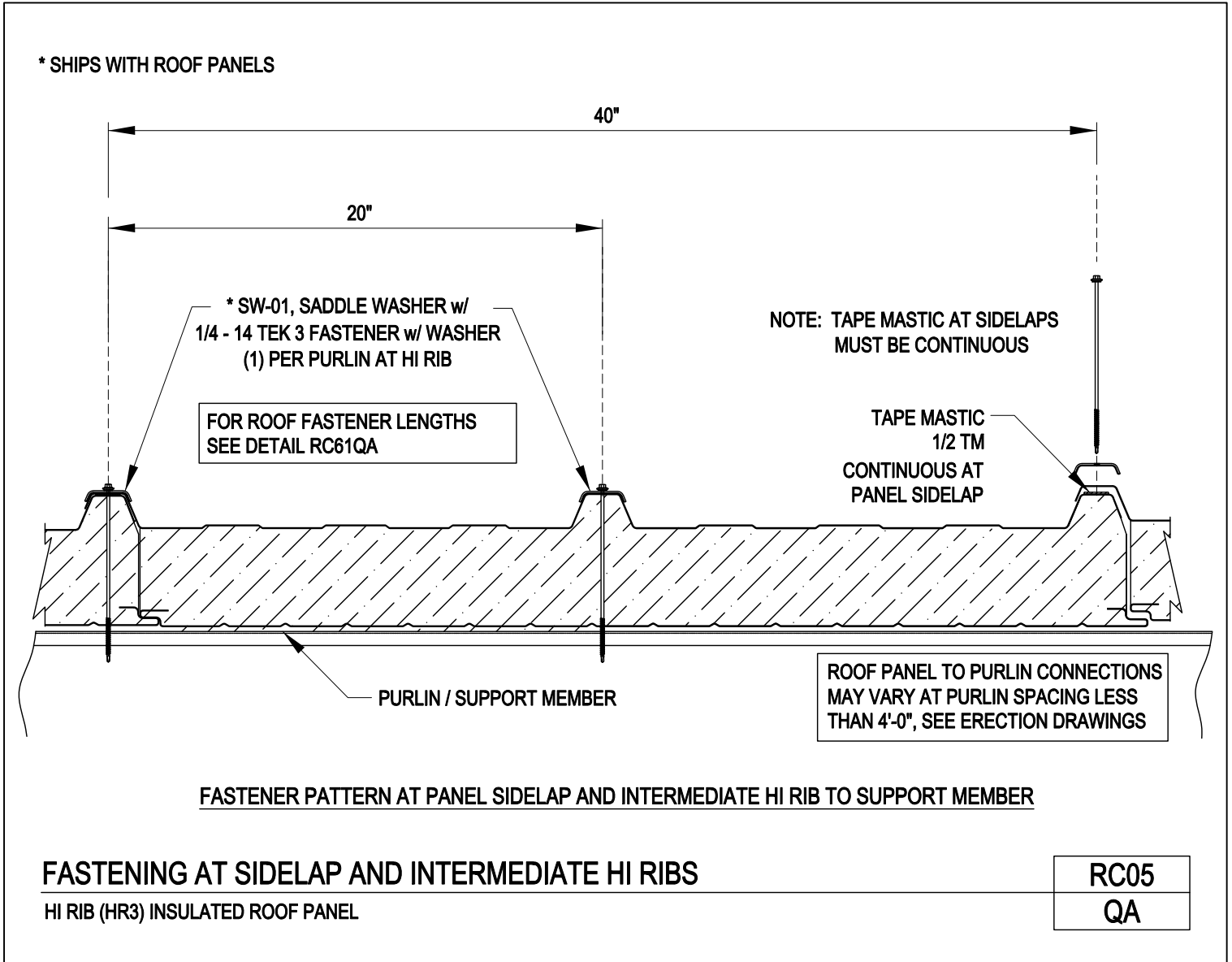
PRODUCT MANUAL

INSULATED HI RIB ROOF PANELS

Fastening at Sidelap and Intermediate Hi Ribs

Hi Rib (HR3) Insulated Roof Panel

RC05/QA



[Download the DWG file by clicking here.](#)

[To Section Index](#)



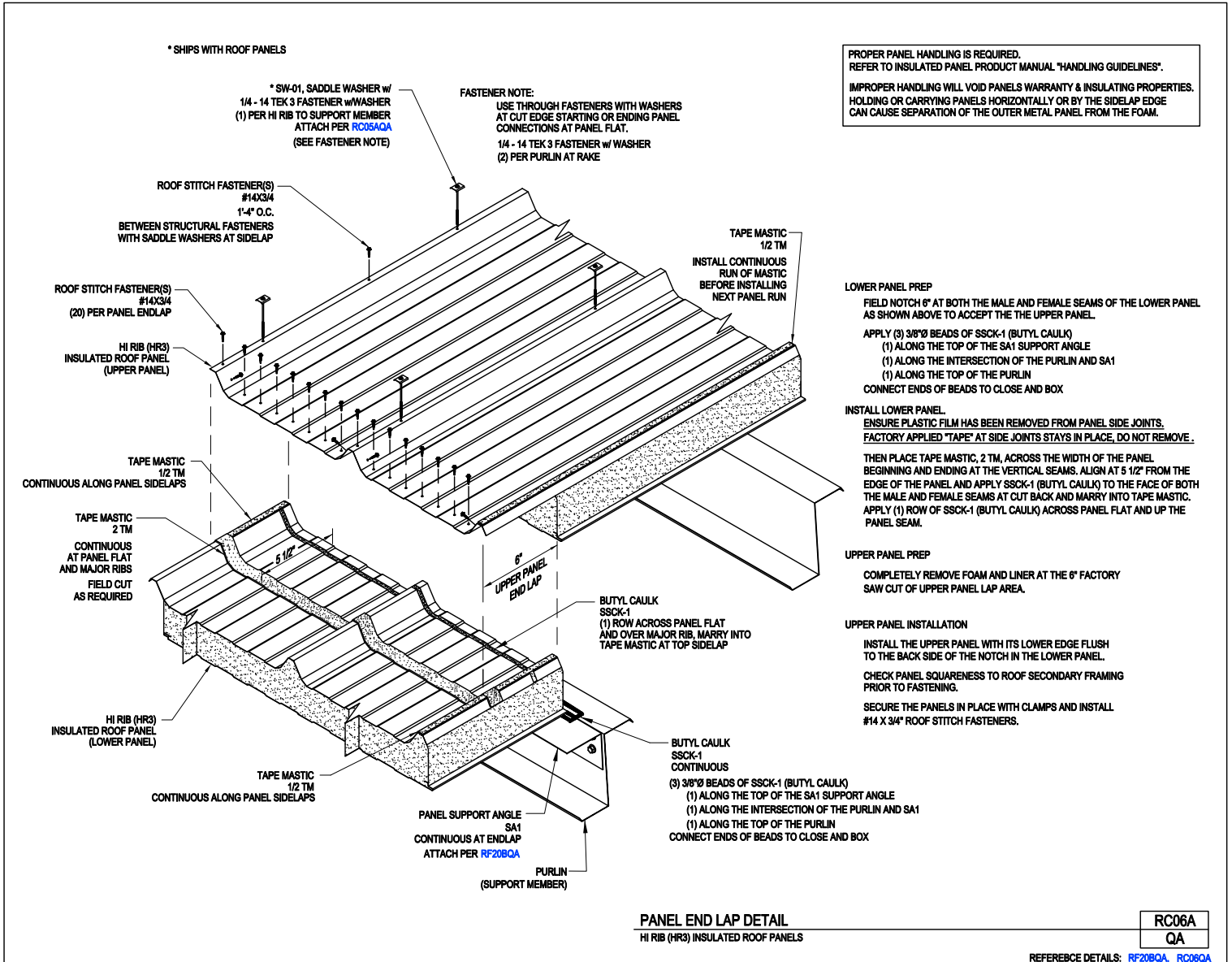
AMERICAN BUILDINGS

A NUCOR COMPANY

PRODUCT MANUAL

INSULATED HI RIB ROOF PANELS

Panel End Lap Detail Hi Rib (HR3) Insulated Roof Panels RC06A/QA

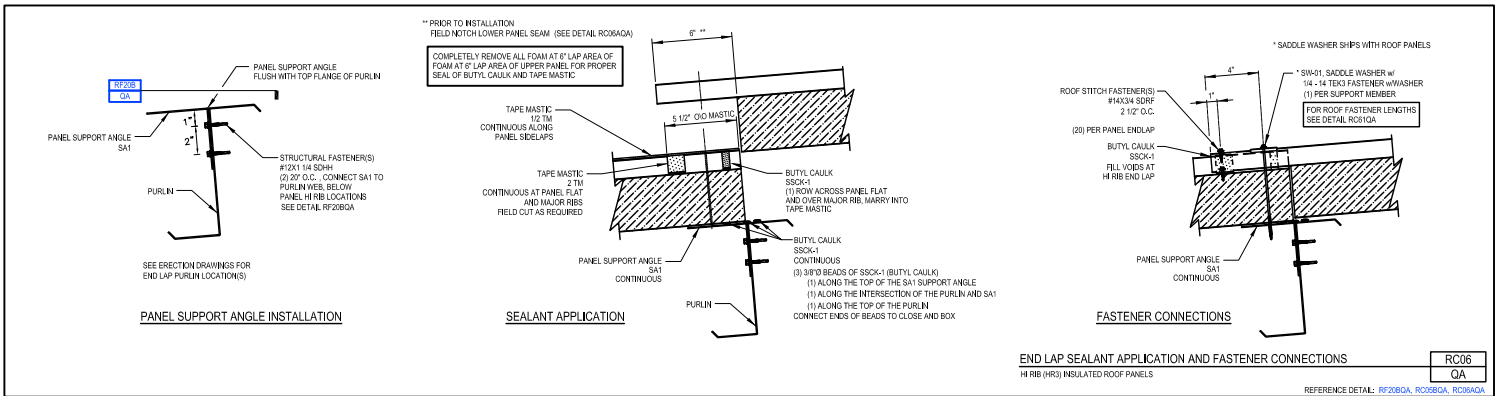


[Download the DWG file by clicking here.](#)

[To Section Index](#)

Revised 3/22/2017

End Lap Sealant Application and Fastener Connections
Hi Rib (HR3) Insulated Roof Panels
RC06/QA



[Download the DWG file by clicking here.](#)

[To Section Index](#)

Installation Sequence and Guidelines

Hi Rib (HR3) Insulated Roof Panels

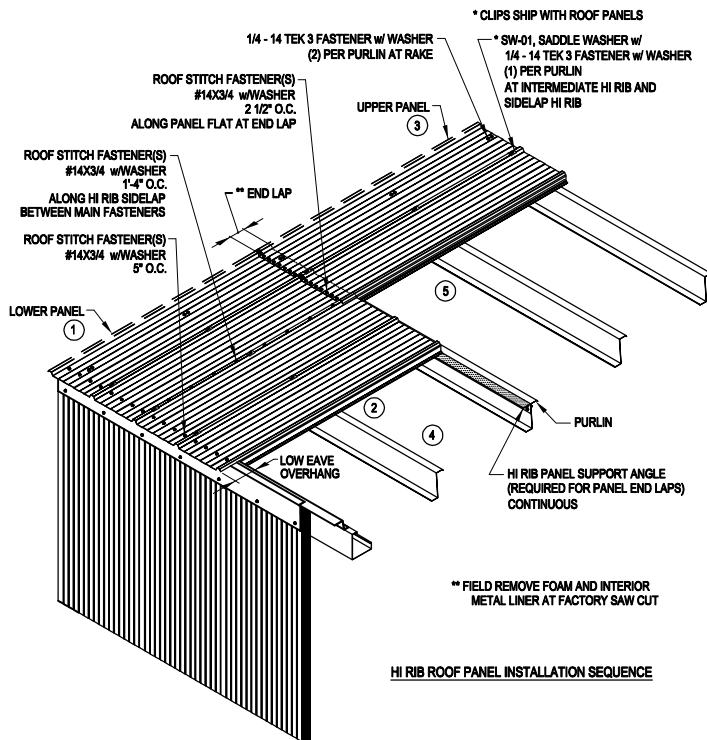
RC11/QW

PANEL INSTALLATION SEQUENCE

HI RIB ROOF PANELS MUST BE INSTALLED IN A SPECIFIC SEQUENCE. THIS ENSURES THE CORRECT LAPPING OF THE SIDE AND END LAPS. THE PANEL NUMBERS IN THE DETAIL BELOW SHOW THE CORRECT ORDER OF INSTALLATION.

IMPORTANT NOTE

TO PREVENT UNNECESSARY BACK TRAFFICKING OVER THE HI RIB ROOF, AS "EACH" PANEL IS INSTALLED, MAIN FASTENING TO FRAME SHOULD BE COMPLETED PER CONNECTION DETAILS. (ADJOINING PANELS MUST BE IN PLACE PRIOR TO MAIN FASTENER INSTALLATION AT LAP AREAS.)



HI RIB ROOF PANEL INSTALLATION SEQUENCE

PRE-DRILLING FOR FASTENERS (RECOMMENDED):

AFTER REMOVAL OF THE PROTECTIVE PLASTIC FILM, PRE-DRILLING THE HOLES FOR THE MAIN ROOF FASTENERS, 1/4 - TEK 3 FASTENERS IS RECOMMENDED. DRILL BIT SIZES ARE LISTED BELOW.

MATERIAL THICKNESS	DRILL
18 GA. - 16 GA.	5/32" PILOT
14 GA.	3/16" PILOT
12 GA. - 11 GA.	# 3 DRILL
3/16" TO 3/8"	# 1 DRILL
3/8" & HEAVIER	231" PILOT

MAIN FASTENERS AND SADDLE WASHERS

PRIOR TO PLACING SADDLE WASHER, PLACE A BEAD OF BUTYL CAULK, SSSK-1, INTO THE PRE-DRILLED HOLE ON THE PANEL HI RIB.

SET THE "SW-01" SADDLE WASHER IN PLACE AND INSERT THE FASTENER THROUGH THE CLIP APPLY PRESSURE TO CONNECTION POINT BY STANDING DIRECTLY ON THE OVERLAPPING HI RIB TO ENSURE THAT THE JOINERY IS FULLY NESTED AND TIGHTEN DOWN UNTIL ASSEMBLY IS SNUG. PANEL TO BE FASTENED PER THE ROOF PANEL FASTENING SCHEDULE AND CALCULATIONS. (FASTENER REQUIREMENTS ARE BASED ON DESIGN LOADS SPECIFIC TO THE PROJECT.)

THE USE OF A 600 RPM ELECTRIC SCREW GUN TO DRIVE FASTENERS IS RECOMMENDED. DO NOT USE IMPACT TOOLS AS THESE DEVICES WILL OVER TIGHTEN AND CAUSE DAMAGE.

PRIOR TO PANEL INSTALLATION

- INSTALL ALL SECONDARY SUPPORT MEMBERS.
- VERIFY ALL STEEL IS ALIGNED PRIOR TO PANEL INSTALLATION
- KEEP PANELS SHADED TO MINIMIZE THERMAL BOW WHICH MAY HINDER PANEL ENGAGEMENT.
- VISUALLY EXAM MALE AND FEMALE EDGES AS EACH PANEL IS REMOVED FROM THE PACK AND CAREFULLY REMOVE ANY SLIGHT INSULATION SPILL OVER.
- REMOVE PROTECTIVE PLASTIC FILM AND PRE-DRILL AS REQUIRED.
- ALWAYS CLEAN PANEL TO REMOVE METAL FILLINGS AFTER DRILLING.
- REMOVE FOAM FOR OVERLAP AS REQUIRED AT LOW EAVE PANEL AND UPPER PANEL END LAP. TAKE EXTRA CARE TO COMPLETELY REMOVE THE FOAM FROM THE UNDERSIDE OF THE PANEL TO ENSURE A POSITIVE AIR AND WATER SEAL IS ACHIEVED BY THE BUTYL CAULK AND TAPE MASTIC APPLICATIONS.

PANEL INSTALLATION GUIDELINES: REFER TO CONNECTION DETAILS FOR COMPLETE REQUIREMENTS.

1 INSTALL (FIRST/STARTER) PANEL

LAY FIRST PANEL IN ACCORDANCE WITH CONNECTION DETAILS, WITH APPROPRIATE OVERHANG AT LOW EAVE AND FLUSH WITH INSIDE OF END WALL PANEL. (FIELD CUT PANEL AS LOCATIONS INDICATED ON THE ERECTION DRAWINGS.)

FIRST TIER PANELS MUST BE LAID TRUE TO LINE TO MAINTAIN PANEL MODULARITY. PROPERLY LINE WITH A STRING TO ENSURE A TRUE AND NEAT RUN. EACH PANEL MUST BE SQUARE BEFORE INSTALLING FASTENERS.

FASTEN THE FIRST PANEL, PER CONNECTION DETAILS, TO EACH PURLIN ALONG THE RAKE EDGE AND THEN AT THE INTERMEDIATE HI RIBS. (NOTE: DO NOT ATTACH THE UPPER END OF THE LOWER PANEL TO THE SUPPORT ANGLE AT THIS TIME. THIS CONNECTION IS MADE WHEN THE UPPER PANEL IS ATTACHED.)

AFTER APPLYING THE REQUIRED CAULK / MASTIC AT THE HI RIB SIDELAP OF THE FIRST PANEL INSTALL THE ADJOINING PANEL AS SOON AS POSSIBLE.

2 INSTALL ADJOINING LOW EAVE PANEL

PLACE THE ADJOINING PANEL (SEE "PRIOR TO PANEL INSTALLATION" ABOVE) INTO POSITION AND INSTALL HI RIB FASTENERS. NOTE: EACH PANEL MUST BE SQUARE BEFORE INSTALLING FASTENERS.

3 INSTALL FIRST UPPER PANEL (IF APPLICABLE)

THE UPPER PANEL INSTALLATION CAN BEGIN ONCE THE FIRST TWO LOWER PANELS HAVE BEEN INSTALLED AND THE BUTYL CAULK AND TAPE MASTIC HAVE BEEN APPLIED TO THE UPPER END OF THE FIRST PANEL. (SEE APPROPRIATE DETAILS). PLACE THE ADJOINING PANEL INTO POSITION (SEE "PRIOR TO PANEL INSTALLATION" ABOVE)

NOTE: EACH PANEL MUST BE SQUARE BEFORE INSTALLING FASTENERS.

FASTEN THE FIRST UPPER PANEL AS SHOWN ON PANEL DETAIL TO EACH PURLIN AT THE RAKE EDGE AND AT INTERMEDIATE HI RIB.

4 INSTALL ADJOINING LOW EAVE PANEL

REPEAT INSTALLATION STEP 2 AS REQUIRED.

5 INSTALL ADJOINING UPPER PANEL (IF APPLICABLE)

REPEAT INSTALLATION STEP 3, AS REQUIRED. INSTALL HI RIB SIDELAP FASTENERS THEN INSTALL STITCH FASTENERS AT PANEL END LAP.

AFTER ALL PANELS ARE INSTALLED AND FASTENED, FASTEN EAVE, RAKE AND PEAK TRIMS RESPECTIVELY.

INSTALLATION SEQUENCE AND GUIDELINES

HI RIB (HR3) INSULATED ROOF PANELS

RC11
QW

[Download the DWG file by clicking here.](#)



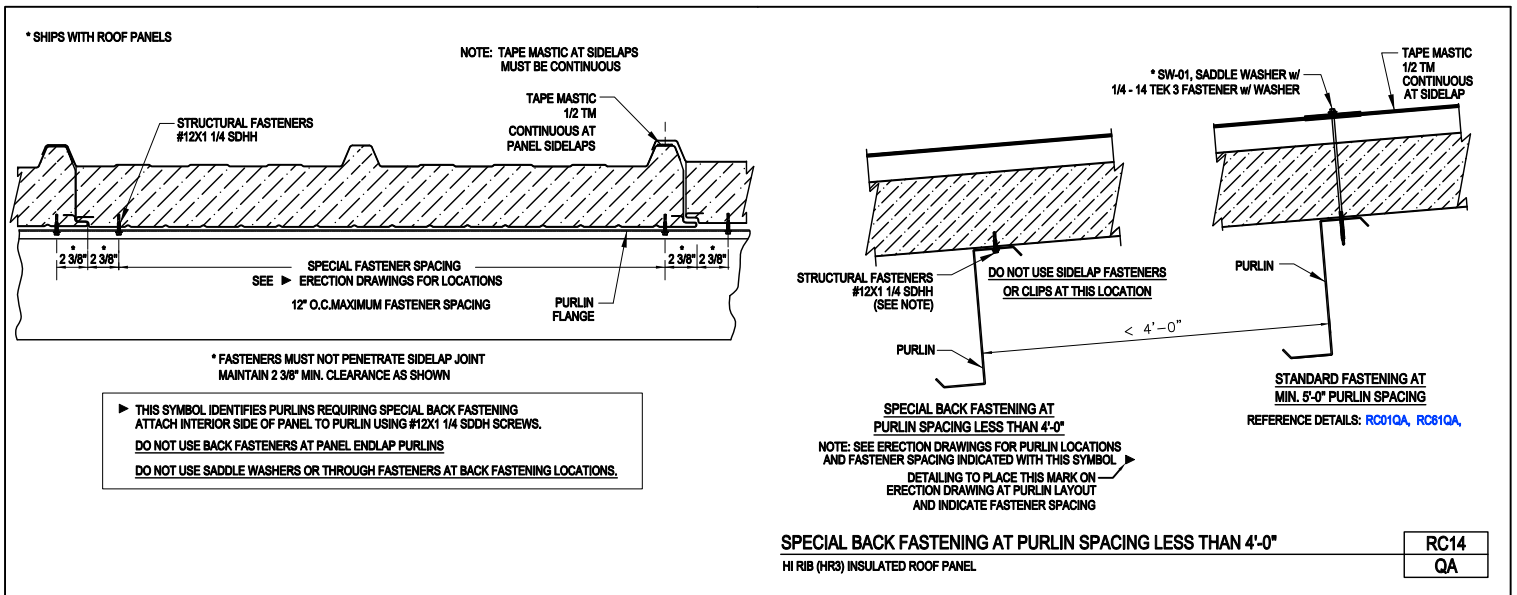
AMERICAN BUILDINGS

A NUCOR COMPANY

PRODUCT MANUAL

INSULATED HI RIB ROOF PANELS

Special Back Fastening at Purlin Spacing Less Than 4'-0" Hi Rib (HR3) Insulated Roof Panel RC14/QA



[Download the DWG file by clicking here.](#)

[To Section Index](#)



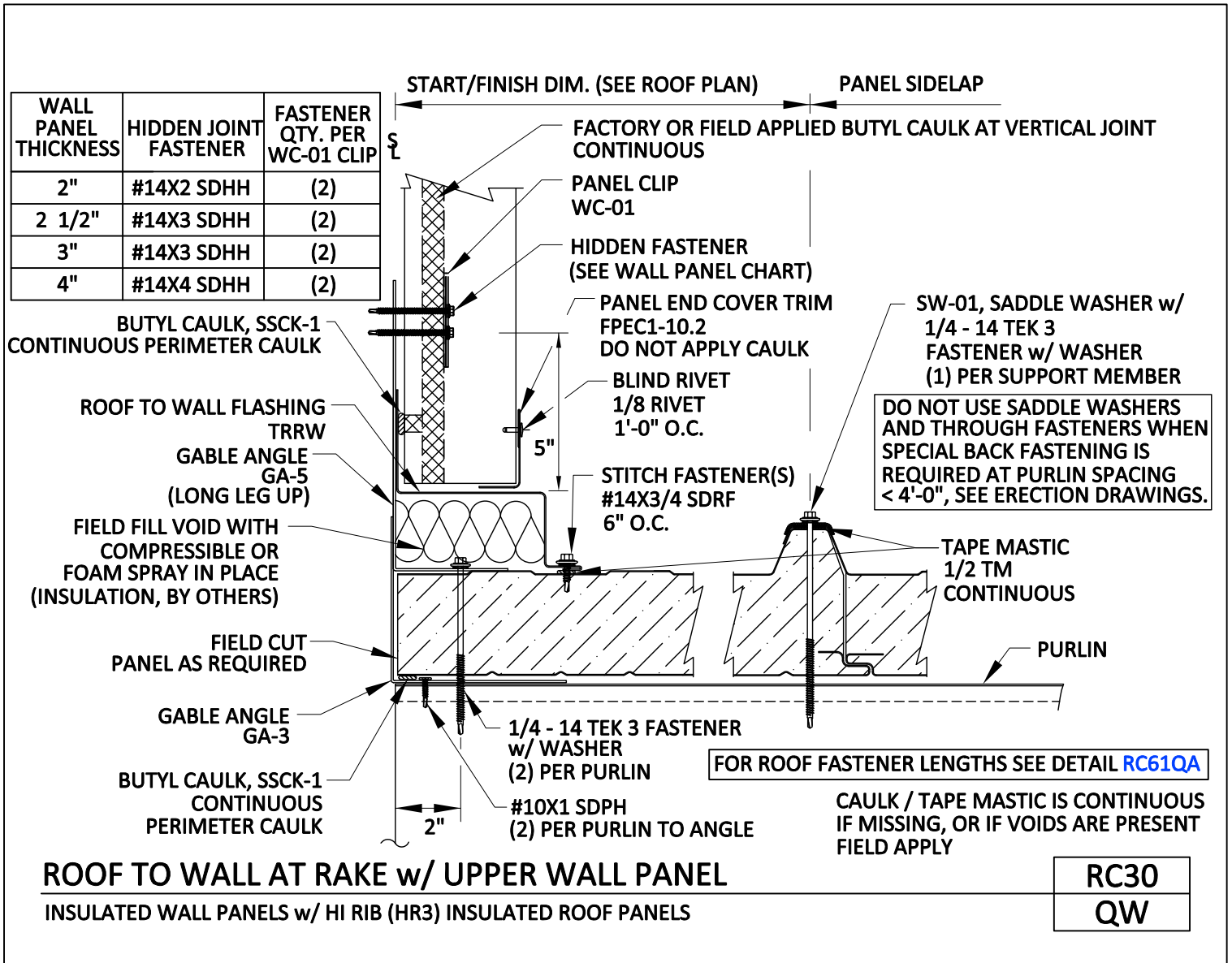
AMERICAN BUILDINGS

A NUCOR COMPANY

PRODUCT MANUAL

INSULATED HI RIB ROOF PANELS

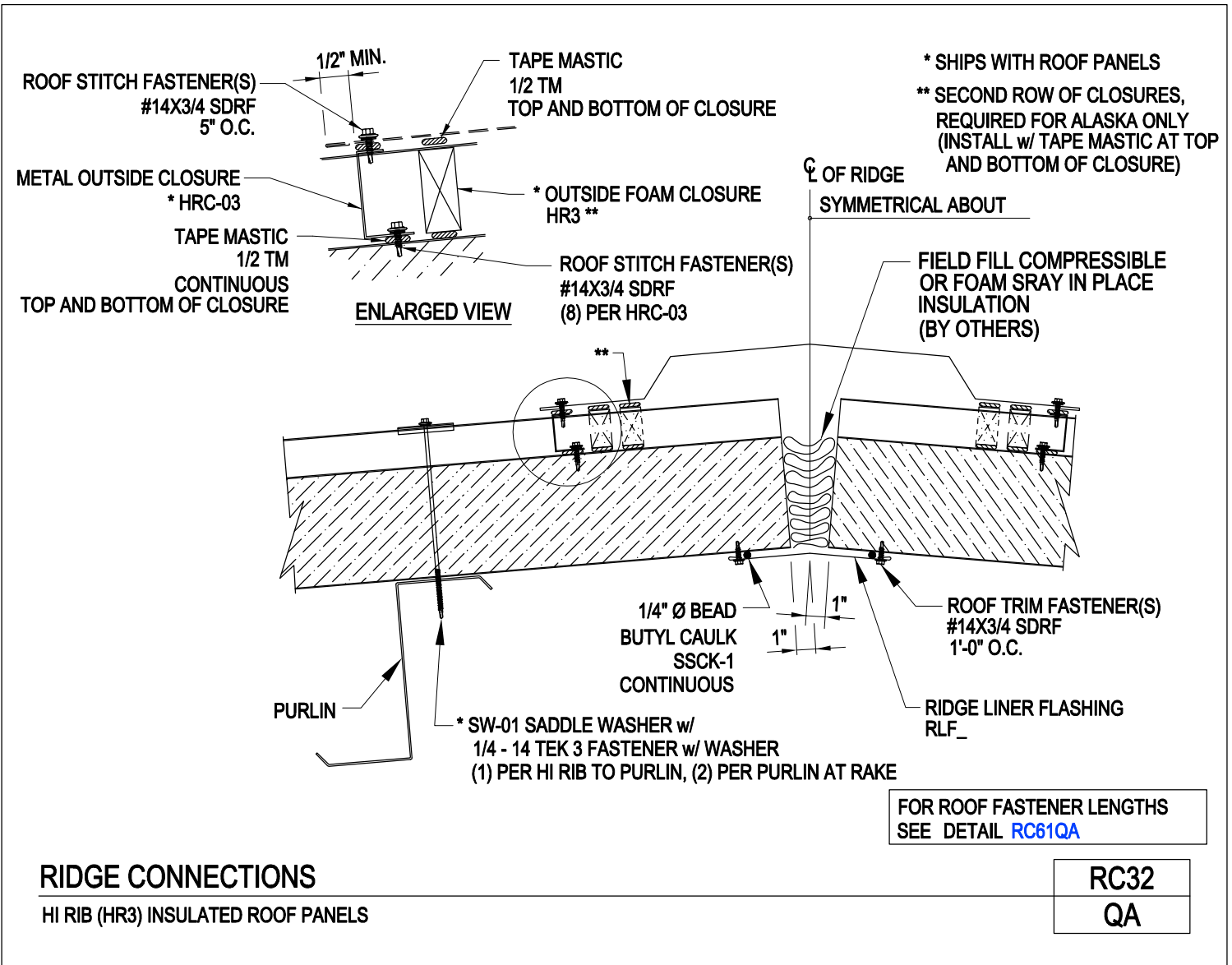
Roof to Wall at Rake w/ Upper Wall Panel
 Insulated Wall Panels w/ Hi Rib (HR3) Insulated Roof Panels
 RC30/QW



[Download the DWG file by clicking here.](#)

[To Section Index](#)

Ridge Connections
 Hi Rib (HR3) Insulated Roof Panels
 RC32/QA



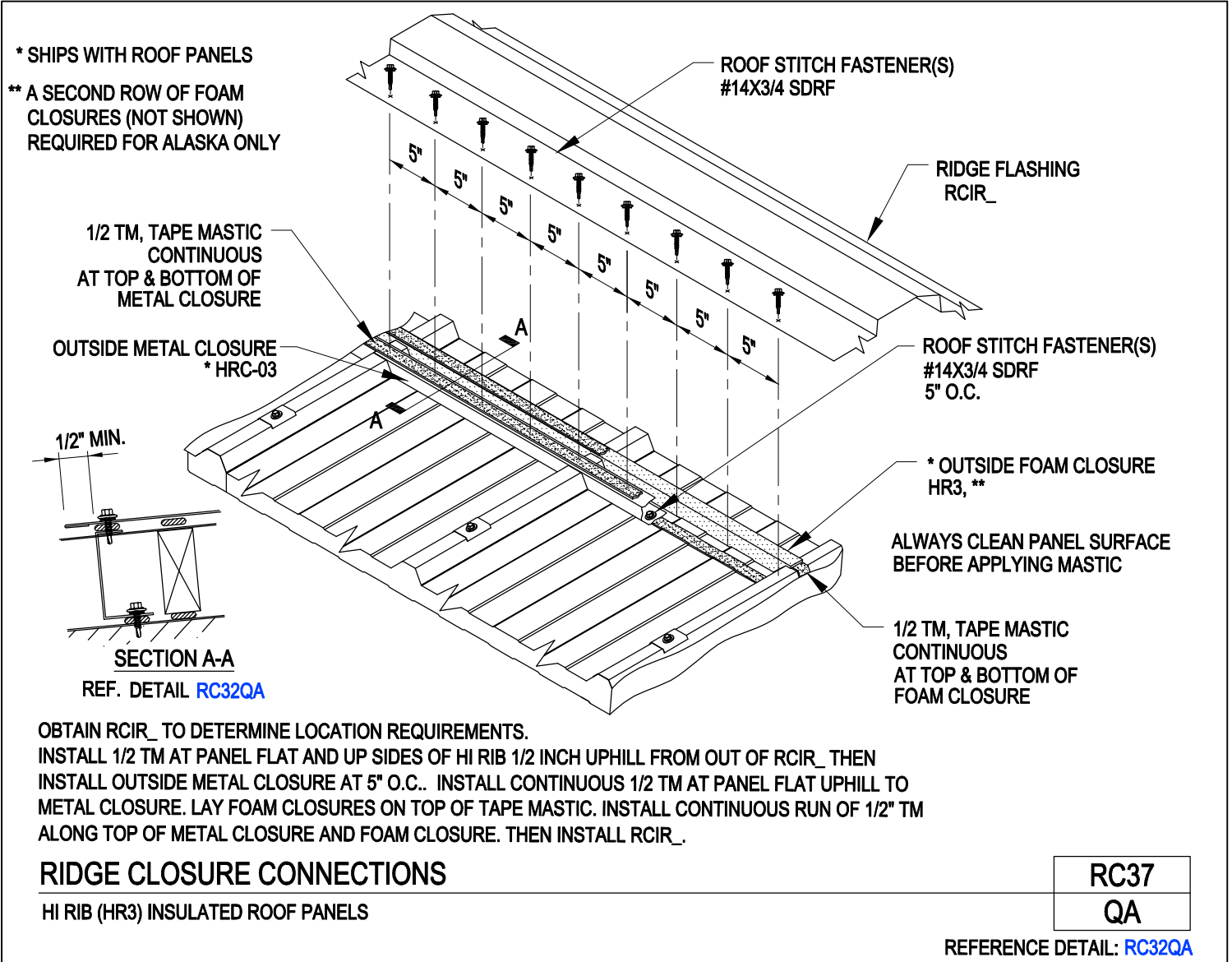
RIDGE CONNECTIONS

HI RIB (HR3) INSULATED ROOF PANELS

[Download the DWG file by clicking here.](#)

[To Section Index](#)

Ridge Closure Connections
Hi Rib (HR3) Insulated Roof Panels
RC37/QA



[Download the DWG file by clicking here.](#)

[To Section Index](#)



AMERICAN BUILDINGS

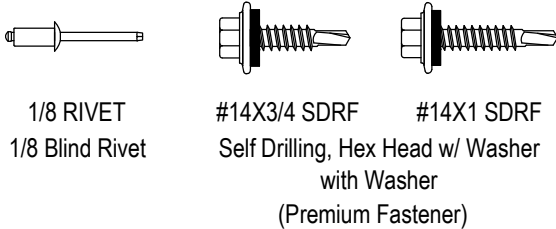
A **NUCOR** COMPANY

PRODUCT MANUAL

INSULATED HI RIB ROOF PANELS

Basic Fasteners and Fastener Charts Hi Rib (HR3) Insulated Roof Panels RC61/QA

Face Fastening at Flashing and Trim, (Color Match):

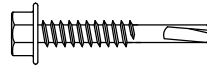


1/8 RIVET
1/8 Blind Rivet

#14X3/4 SDRF
Self Drilling, Hex Head w/ Washer
with Washer
(Premium Fastener)

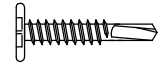
#14X1 SDRF

Structural Fastener(s) SA1, Angle to Purlin:

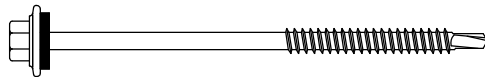


#12X1 1/4 SDHH (TEK3)
Self Drilling, Carbon Steel Hex Head Fastener
without Washer
(#12X1 1/2SDHHTEK5)

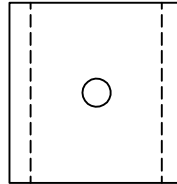
Miscellaneous Fastener:



#10X1 SDPH
Self Drilling Pan Head Screw



1/4 - 14 TEK 3 Fastener w/ Washer
Self Drilling, Hex Head

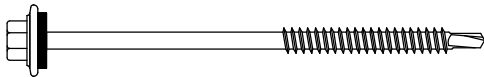


* Saddle Washer
SW-01

Structural Fastening at Hi Rib (1) each at Hi Rib (Unless Otherwise Noted)

Roof Panel Thickness	1/4 - 14 TEK 3 Fastener w/ Washer
2 1/2"	* 1/4 - 14X5 TEK 3 w/ Washer
4"	* 1/4 - 14X7 TEK 3 w/ Washer
5"	* 1/4 - 14X8 TEK 3 w/ Washer (See Note)
6"	* 1/4 - 14X10 TEK 3 w/ Washer (See Note)

Note: For ease of installation at longer fasteners pre-drill pilot holes



1/4 - 14 TEK 3 Fastener w/ Washer
Self Drilling, Hex Head

Structural Fastening at Panel Flat (2) per Purlin at Rake (Unless Otherwise Noted)

Roof Panel Thickness	1/4 - 14 TEK 3 Fastener w/ Washer
2 1/2"	* 1/4 - 14X3 1/2 TEK 3 w/ Washer
4"	* 1/4 - 14X5 TEK 3 w/ Washer
5"	* 1/4 - 14X6 TEK 3 w/ Washer
6"	* 1/4 - 14X7 TEK 3 w/ Washer

* Ships with Roof Panels

BASIC FASTENERS AND FASTENER CHARTS

HI RIB (HR3) INSULATED ROOF PANELS

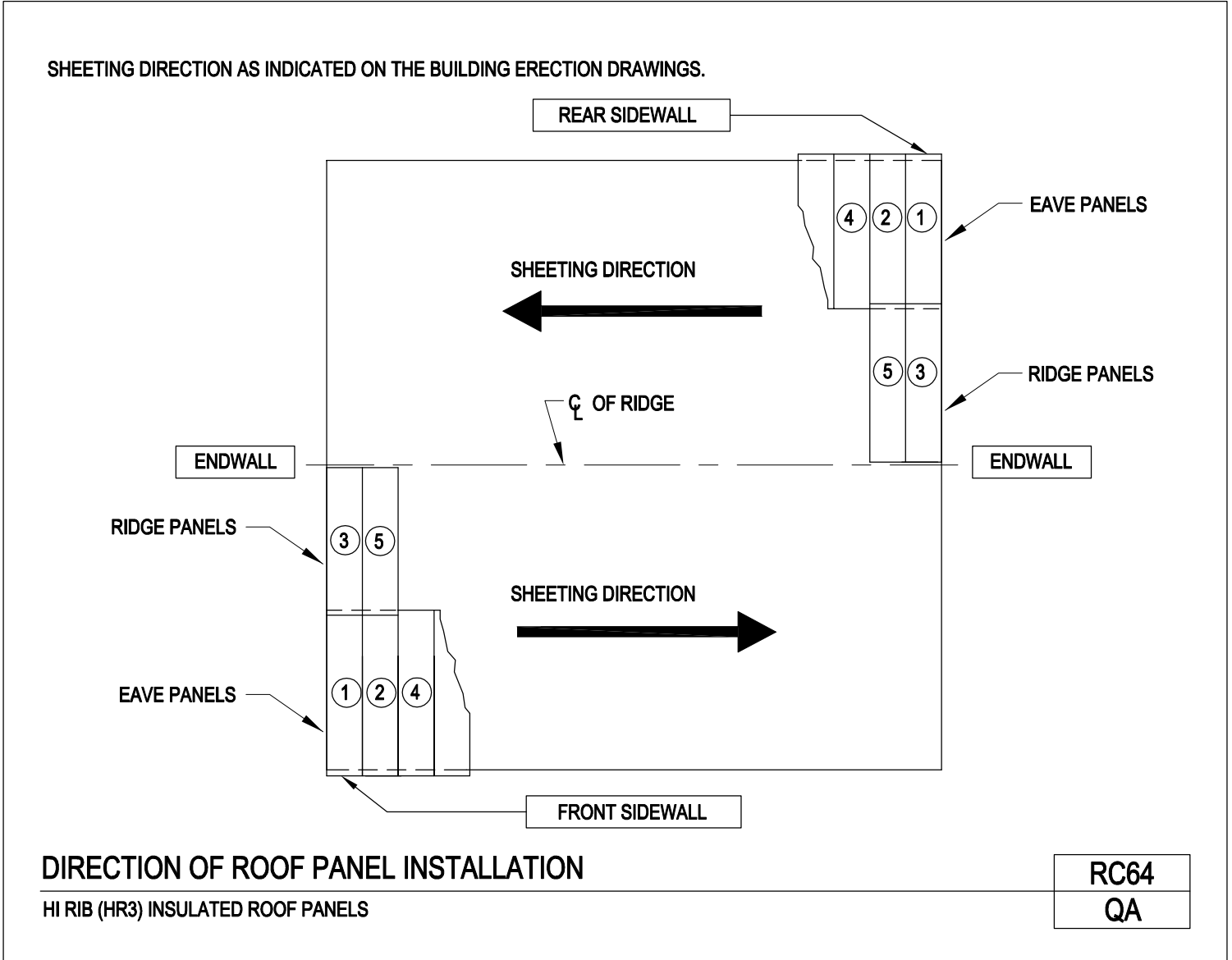
RC61

QA

[Download the DWG file by clicking here.](#)

[To Section Index](#)

Direction of Roof Panel Installation
Hi Rib (HR3) Insulated Roof Panels
RC64/QA



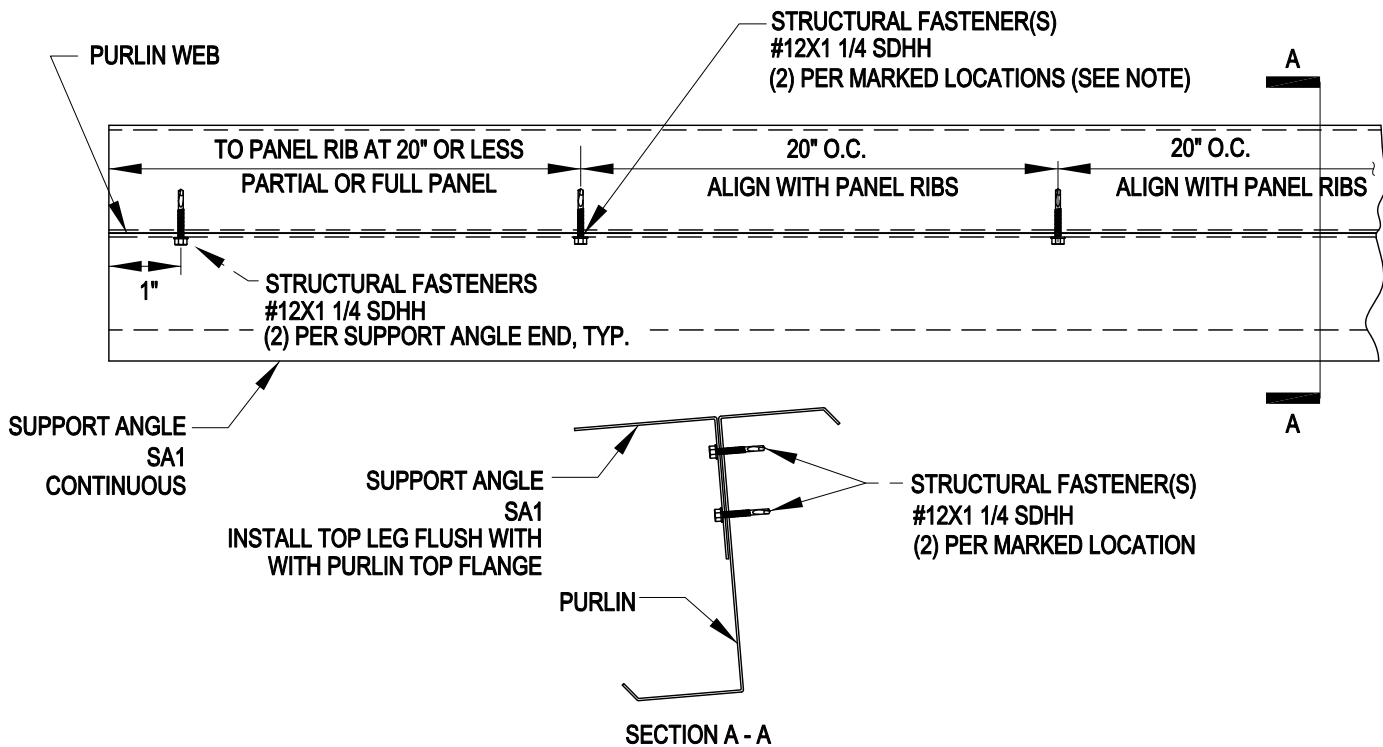
[Download the DWG file by clicking here.](#)

[To Section Index](#)

Top View at Panel Support Angle, SA1 Connection to Purlin Web
Hi Rib (HR3) Insulated Roof Panel
RF20B/QA

NOTE: SA1, SUPPORT ANGLE CONNECTIONS TO PURLIN WEB

- 1) REFER TO ERECTION DRAWING PANEL LAYOUT FOR LOCATION OF PURLIN AT ROOF PANEL ENDLAP.
- 2) OBTAIN THE FIRST LOWER ROOF PANEL AND DETERMINE WHERE THE ROOF PANEL RIB WILL FALL WHEN INSTALLED.
- 3) LAY PANEL IN PLACE AND MARK LOCATION OF ROOF PANEL RIB ON PURLIN. (RETURN PANEL TO STORAGE AREA).
- 4) ATTACH SA1 TO PURLIN AT MARKED LOCATION AND AT 20" ON CENTER THEREAFTER.



TOP VIEW AT ENDLAP SUPPORT ANGLE, SA1 CONNECTION TO PURLIN WEB
HI RIB (HR3) INSULATED ROOF PANEL

RF20B
QA

[Download the DWG file by clicking here.](#)

[To Section Index](#)

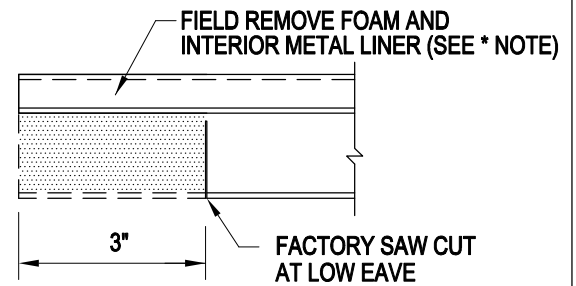
Panel End Prep
Insulated Roof Panels
RP10/QA

FIELD REMOVE INTERIOR METAL LINER AND ALL FOAM AT FACTORY SAW CUTS

PANEL AT LOW EAVE

INTERIOR METAL LINER FACE AND FOAM INSULATION WILL HAVE A FACTORY SAW CUT AT LOW EAVE LOCATION VARIES FROM END OF PANEL.

- 3" AT ALL ROOF SLOPES



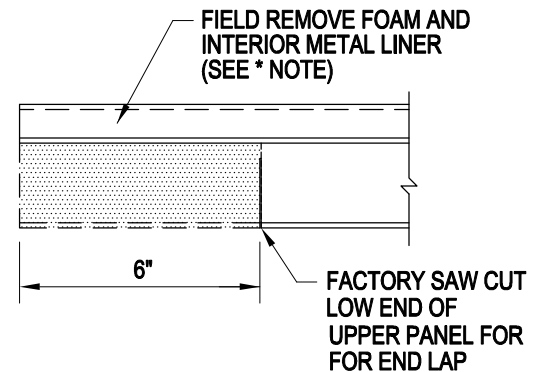
*** NOTE:** CAREFULLY FIELD REMOVE ALL FOAM FROM THE UNDERSIDE OF THE OUTER METAL SKIN TO ENSURE A POSITIVE AIR AND WATER INFILTRATION SEAL.

UPPER PANEL AT END LAP

INTERIOR METAL LINER FACE AND INSULATION FACTORY SAW CUT IS 6" AT THE LOW END OF THE UPPER PANEL FOR END LAP,

STANDARD ENDLAP APPLICATION BY ROOF PANEL PROFILE IS:

- 6" AT SR2 ROOF PANELS WITH SLOPES EQUAL TO OR GREATER THAN 1/2:12
- 6" AT HR3 ROOF PANELS WITH ROOF SLOPES EQUAL TO OR GREATER THAN 1:12



PANEL END PREP

INSULATED ROOF PANELS

RP10
QA

[Download the DWG file by clicking here.](#)

[To Section Index](#)

High Side Attachments
 Insulated Wall Panels w/ Hi Rib (HR3) Insulated Roof Panels
 WEA05/QW

(1) HIGH SIDE WALL PANEL ATTACHMENT

PANEL THICKNESS	HIDDEN JOINT FASTENER	FASTENER QTY. PER WC-01 CLIP
2"	#1/4-14X2 SDHH	(2)
2 1/2"	#1/4-14X3 SDHH	(2)
3"	#1/4-14X3 SDHH	(2)
4"	#1/4-14X4 SDHH	(2)

(2) HIGH SIDE ROOF PANEL ATTACHMENT

(3) HIGH SIDE EAVE FLASHING ATTACHMENT

ENLARGED VIEW

* SHIPS WITH ROOF PANELS

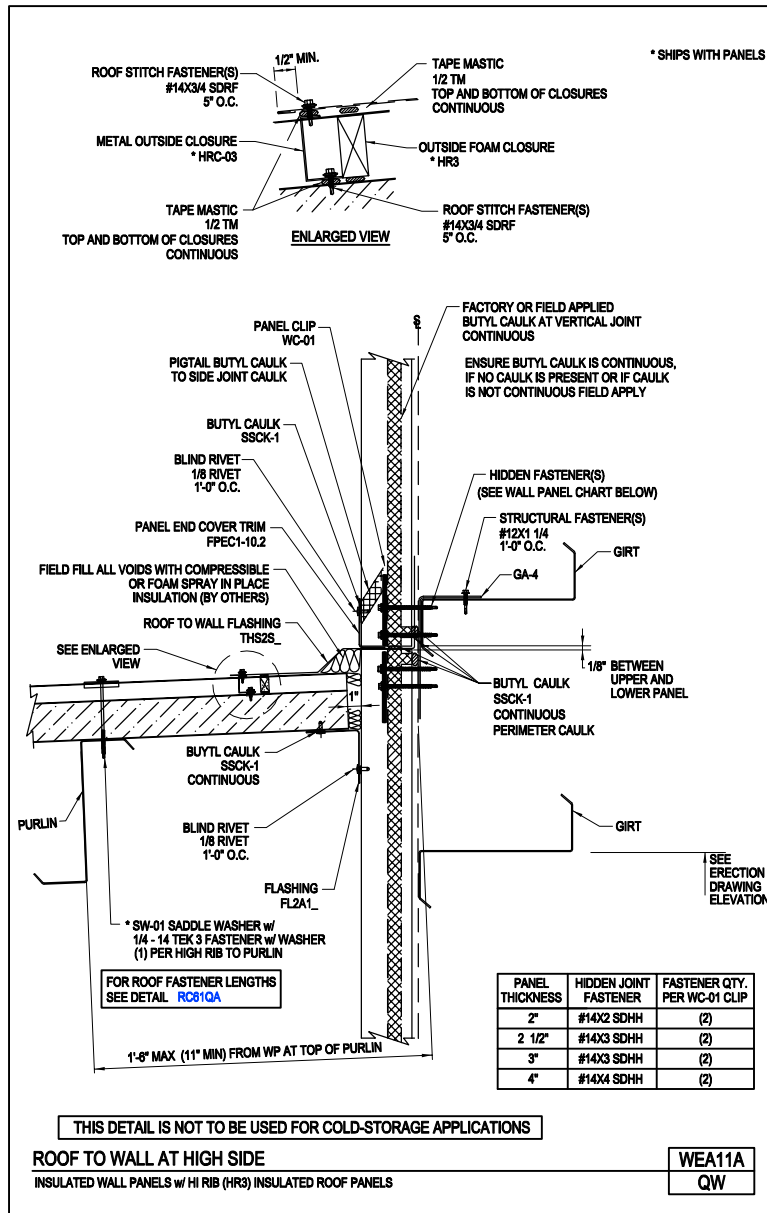
** A SECOND ROW OF FOAM CLOSURES (NOT SHOWN) REQUIRED FOR ALASKA ONLY

HIGH SIDE ATTACHMENTS AT ROOF SLOPES GREATER THAN 4:12
 INSULATED WALL PANELS w/ HI RIB (HR3) INSULATED ROOF PANELS

WEA05
QW

[Download the DWG file by clicking here.](#)

Roof To Wall at High Side
 Insulated Wall Panels w/ Hi Rib (HR3) Insulated Roof Panels
 WEA11A/QW



[Download a DWG file by clicking on the drawing above](#)

[To Section Index](#)