

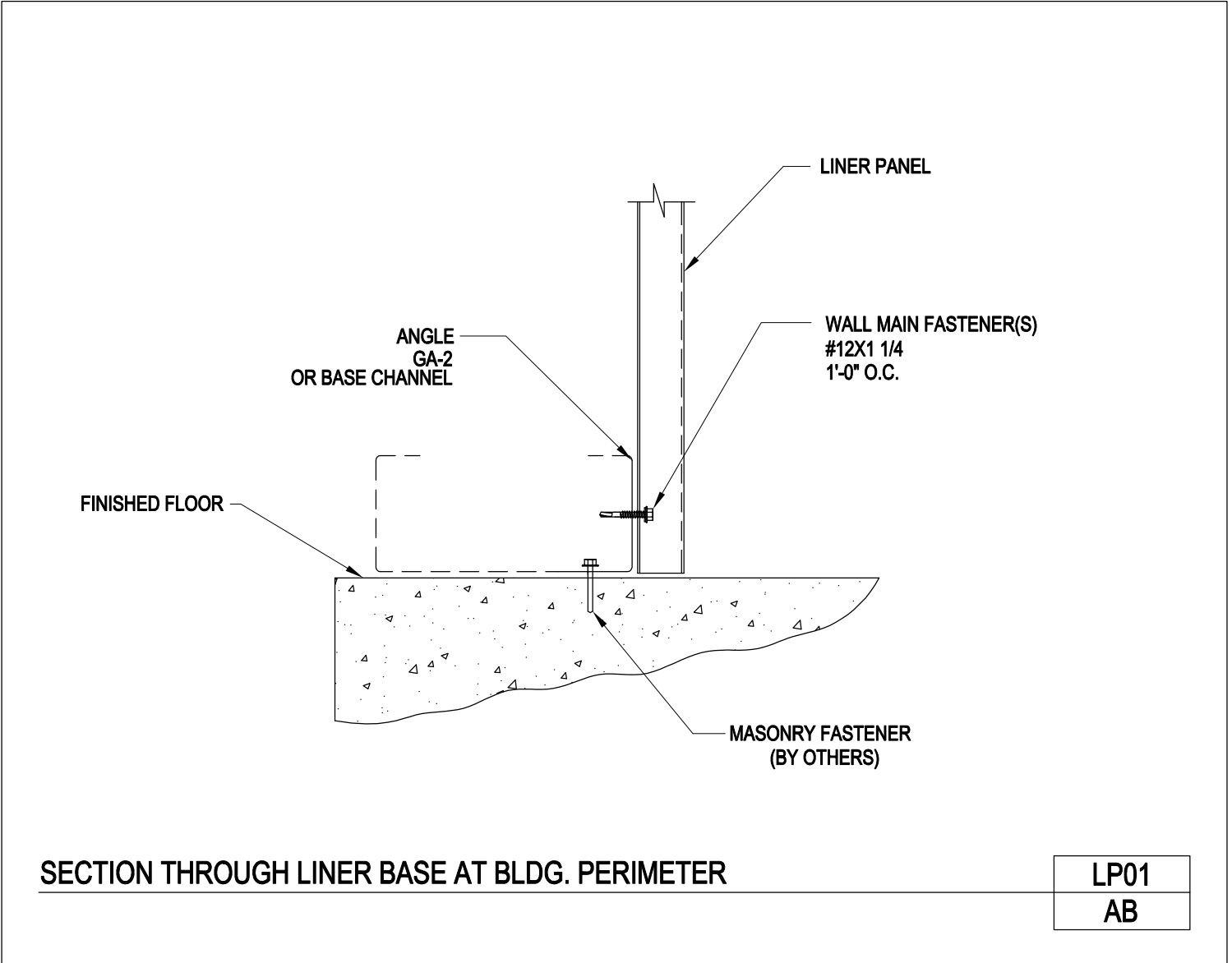
Product Manual - Liner Panels

LP01/AB, Section Through Liner Base at Bldg. Perimeter
LP06/AB, Section Through Liner Head at Girt Height
LP07/AB, Section Through Liner Head Above Girt Height
LP08A/BB, Section Through Liner Head With Roof Liner at High Side
LP08/BB, Section Through Liner Head With Roof Liner
LP08WA/BB, Liner Head With Roof Liner at Beveled Bottom High Side Eave Strut
LP08W/BB, Liner Head With Roof Liner at Beveled Bottom Eave Strut
LP09A/AB, Section Through Liner Head With Fabric Liner Insulation
LP09/AB, Section Through Roof Liner Head Without Roof Liner
LP09A/BA, Section Through Liner Head Without Roof Liner at High Side
LP09WA/AB, Section Through Liner Head Without Roof Liner Beveled E.S. at High Side
LP09W/AB, Section Through Liner Head Without Roof Liner Beveled E.S.
LP09WY/AB, Section Through Liner Head With Fabric Liner Insulation and Beveled E.S.
LP09WY/BA, Section Through Liner Head With Fabric Liner Insulation and Beveled E.S. at High Side
LP09Y/AB, Section Through Liner Head With Fabric Liner Insulation at High Side
LP17/AB, Section Through Liner at Endwall Without Roof Liner
LP18/AB, Section Through Liner at Endwall Without Roof Liner
LP20/BB, Section Through Liner at Endwall With Roof Liner
LP29R/AB, Liner Panel Corner Detail
LP36/AJ, Detail at Outside Corner
LP42Q/AB, Section Through Column w/ Liner
LP42Q/AC, Section Through Column w/ Liner
LP42QB/AB, Section Through Column w/ Liner
LP42RA/AB, Section Through Bypass Purlin/Girt w/ Liner
LP42R/AB, Section Through Bypass Purlin/Girt w/ Liner
LP42RB/AB, Section Through Bypass Purlin/Girt w/ Liner
LP44/AA, Installation Instructions for Frame Brace to CLFB Clip
LP45/AA, Frame Brace Connection with CLFB
LP51/AB, Section at Roll-Up or Overhead Door Jamb w/ Liner
LP51B/AB, Section at Roll-Up or Overhead Door Jamb w/ Liner
LP52/AB, Section Through Header & Sill With Liner
LP53/AB, Section at Overhead Door Header w/ Liner
LP54/AB, Section at Roll-Up Door Header w/ Liner
LP55/AB, Section Through Partially Open Wall at Girt with Flush Panel
LP61/AB, Section at Personnel Door Jamb w/ Liner 8" Girts
LP61B/AB, Section at Personnel Door Jamb w/ Liner 8" Girts

LP61N/AB, Section at Personnel Door Jamb w/ Liner 9 1/2" Girts
LP61NB/AB, Section at Personnel Door Jamb w/ Liner 9 1/2" Girts
LP66/AB, Section at Personnel Door Header w/ Liner
LP66/AI, Section at Personnel Door Header w/ Liner
LP71/AB, Section at Window Jamb w/ Liner
LP71B/AB, Section at Window Jamb w/ Liner
LP72/AB, Section at Window Header and Sill w/ Liner
LP73/AB, Section at Thermal Window Jamb w/ Liner
LP73B/AB, Section at Thermal Window Jamb w/ Liner
LP74/AB, Section at Personnel Door Header w/ Liner
LP76/AB, Section at Louver Jamb w/ Liner
LP76B/AB, Section at Louver Jamb w/ Liner
LP77/AB, Section at Louver Head and Sill w/ Liner
LP81A/BA, Roof Liner Ridge Detail at Ridge Vent
LP81/BA, Roof Liner/Soffit Ridge Detail
LP82/BA, Roof Liner / Soffit Lap Detail
LP83A/BA, Skylight Liner Flashing Support Frame Layout
LP83A/SA, Skylight Liner Flashing Support Frame Layout
LP83/BA, Liner Panel Flashing Support Frame at Skylight
LP83/SA, Liner Panel Flashing Support Frame at Skylight
LP84A/BA, Skylight Liner Flashing
LP84A/SA, Liner Panel Flashing Section at Skylight
LP84/BA, Liner Panel Flashing at Skylight
LP84/SA, Liner Panel Flashing at Skylight
LP85/BA, Liner Panel at Skylight w/ Cap Trim Only
LP85/SA, Liner Panel at Skylight w/ Cap Trim
LP86A/JA, Soffit Liner Panel Joint
LP86/JA, Soffit Liner Panel Installation
LP87/JA, Detail at Panel Cut Edge
LP90/AA, Roof Liner Ridge Vent Detail
LP91/AA, Roof Liner / Ridge Vent Detail
SF11/JA, Detail Ridge Roof Liner/Soffit
SF12/JA, Roof Liner / Soffit Liner Transition at Purlin
WLP06/AB, Section Through Liner Head at Girt Height
WLP07/AB, Section Through Liner Head Above Girt Height
WLP09W A/AB, Section Through Liner Head Without Roof Liner Beveled E.S. at High Side
WLP09W/AB, Section Through Liner Head Without Roof Liner Beveled E.S.
WLP20/BB, Section Through Liner at Endwall With Roof Liner
WLP42RA/AB, Section Through Bypass Purlin/Girt w/ Liner

Section Through Liner Base at Bldg. Perimeter

LP01/AB

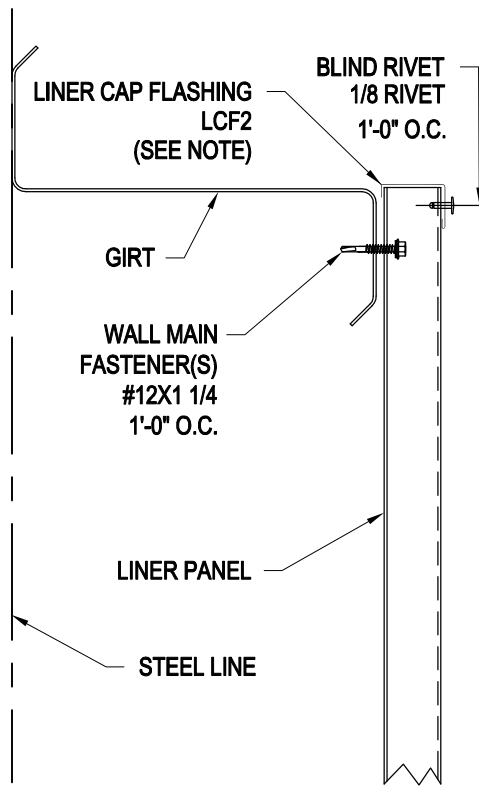


[Download the DWG file by clicking here.](#)

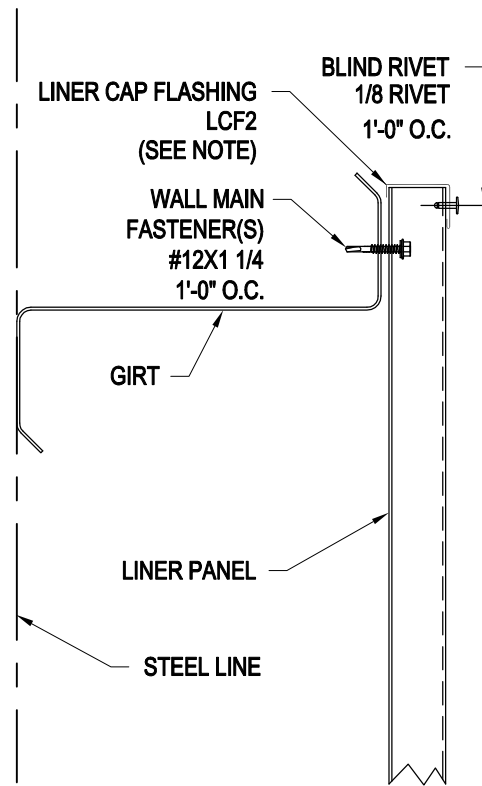
[To Section Index](#)

Section Through Liner Head at Girt Height
 Architectural III, Long Span III, Multi-Rib or Soffit Liner Panels
 LP06/AB

**NOTE:
 LCF1 REQUIRED AT MULTI-RIB AND SOFFIT LINER PANELS**



TOED UP GIRT



TOED DOWN GIRT

SECTION THROUGH LINER HEAD AT GIRT HEIGHT

ARCHITECTURAL III, LONG SPAN III, MULTI-RIB OR SOFFIT LINER LINER PANELS

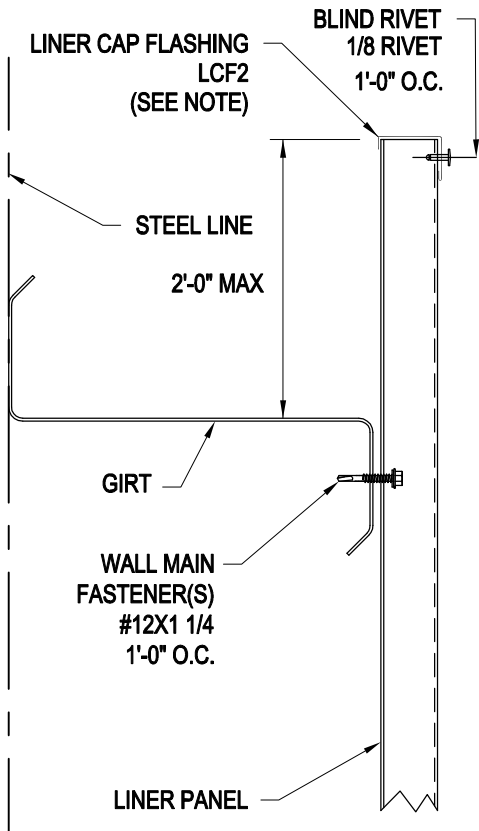
LP06
AB

[Download the DWG file by clicking here.](#)

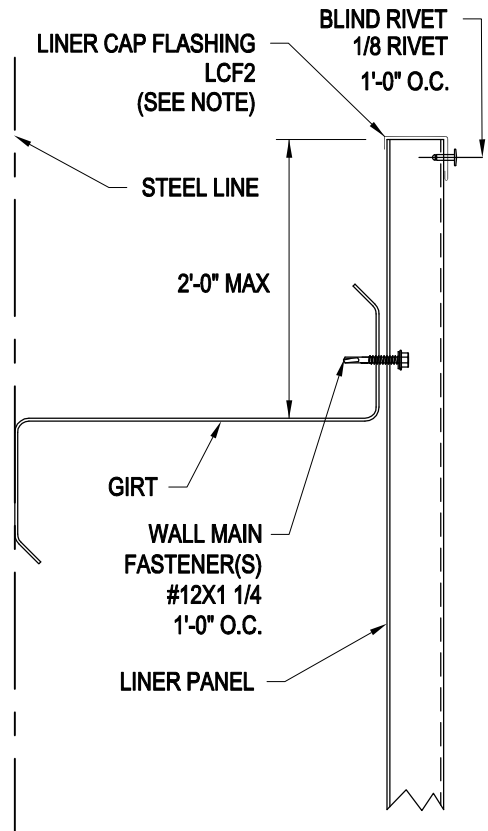
[To Section Index](#)

Section Through Liner Head Above Girt Height
 Architectural III, Long Span III, Multi-Rib or Soffit Liner Panels
 LP07/AB

**NOTE:
 LCF1 REQUIRED AT MULTI-RIB AND SOFFIT LINER PANELS**



TOED UP GIRT



TOED DOWN GIRT

SECTION THROUGH LINER HEAD ABOVE GIRT HEIGHT

ARCHITECTURAL III, LONG SPAN III, MULTI-RIB OR SOFFIT LINER LINER PANELS

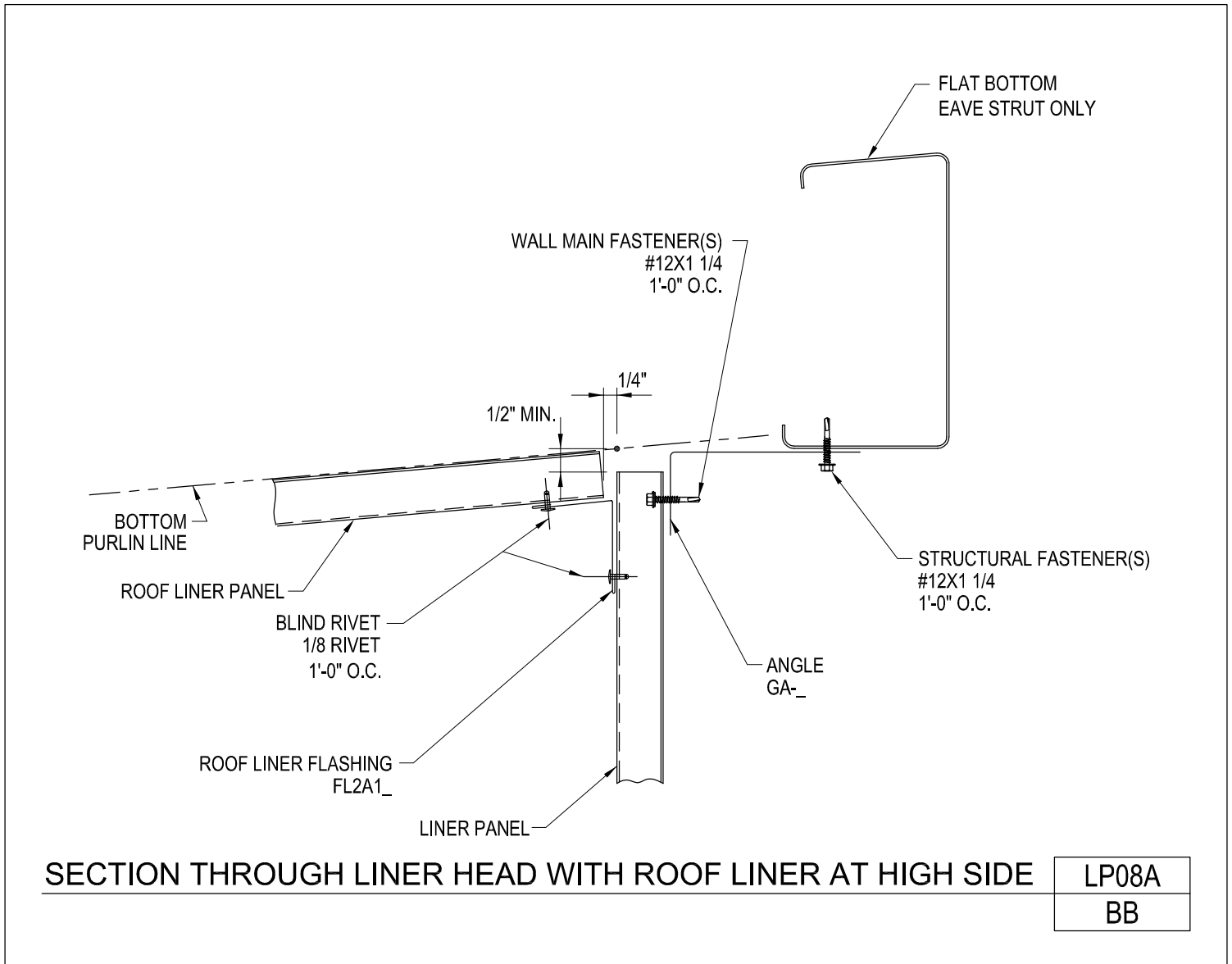
LP07
AB

[Download the DWG file by clicking here.](#)

[To Section Index](#)

Section Through Liner Head With Roof Liner at High Side

LP08A/BB

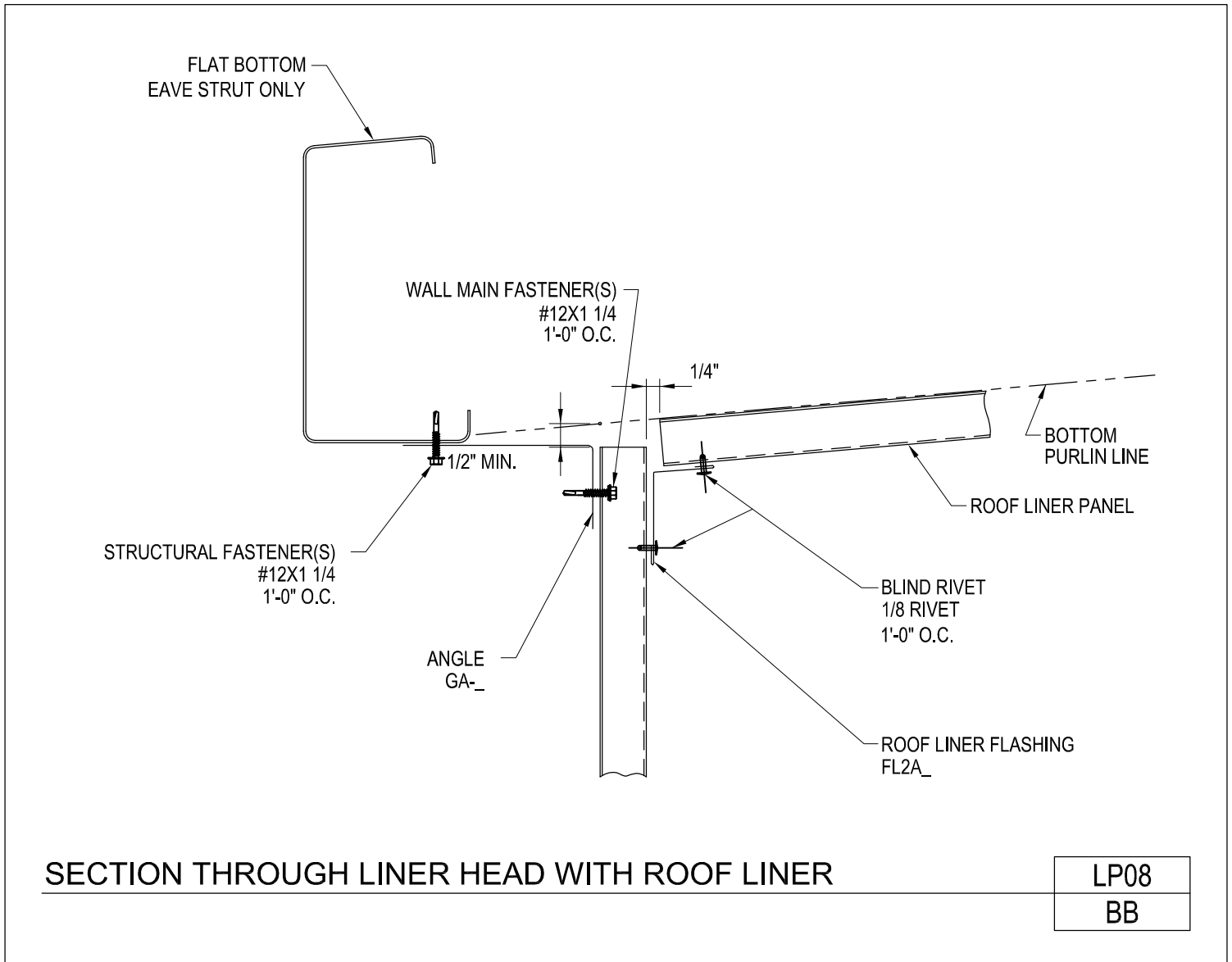


[Download the DWG file by clicking here.](#)

[To Section Index](#)

Section Through Liner Head With Roof Liner

LP08/BB

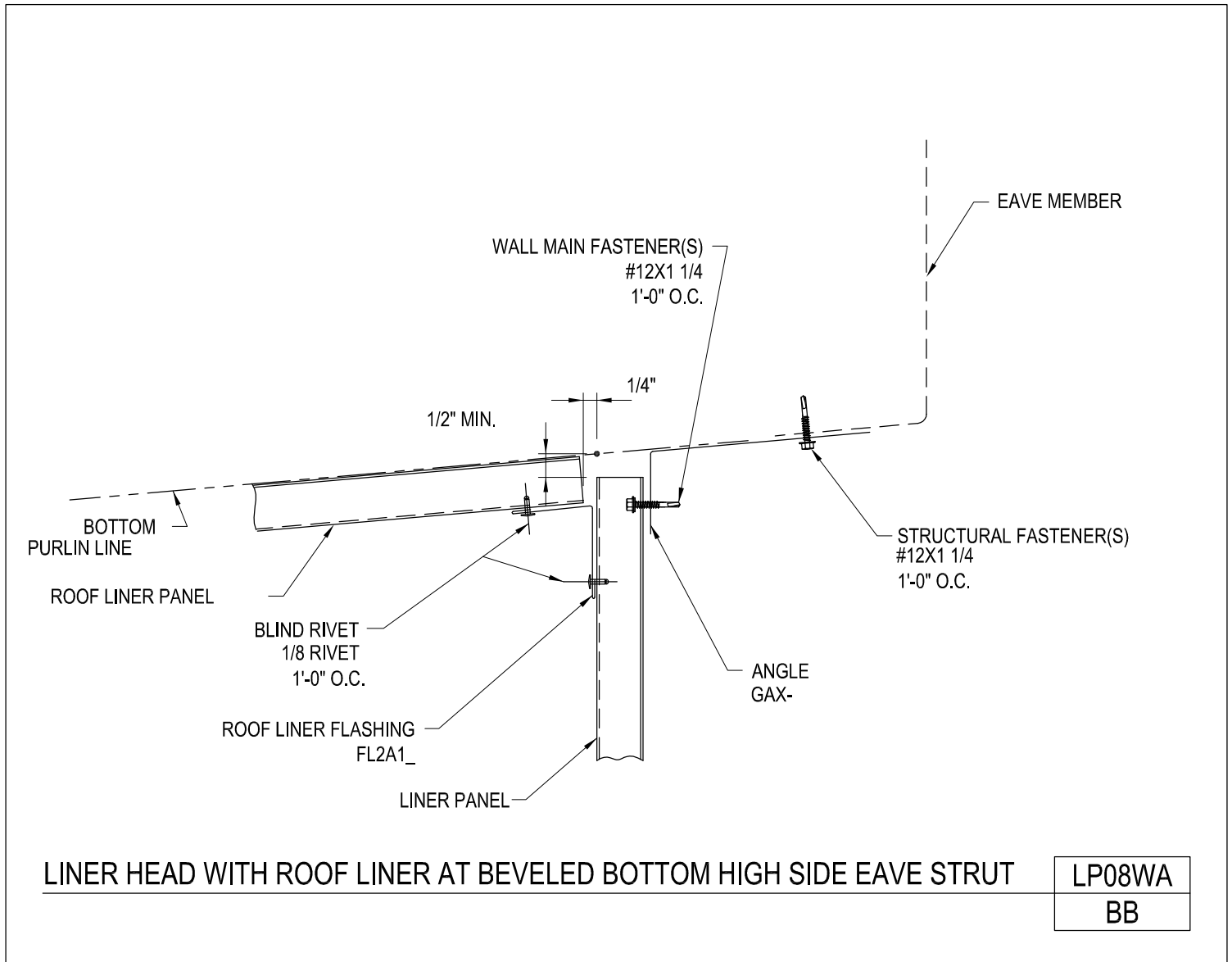


[Download the DWG file by clicking here.](#)

[To Section Index](#)

Liner Head With Roof Liner at Beveled Bottom High Side Eave Strut

LP08WA/BB

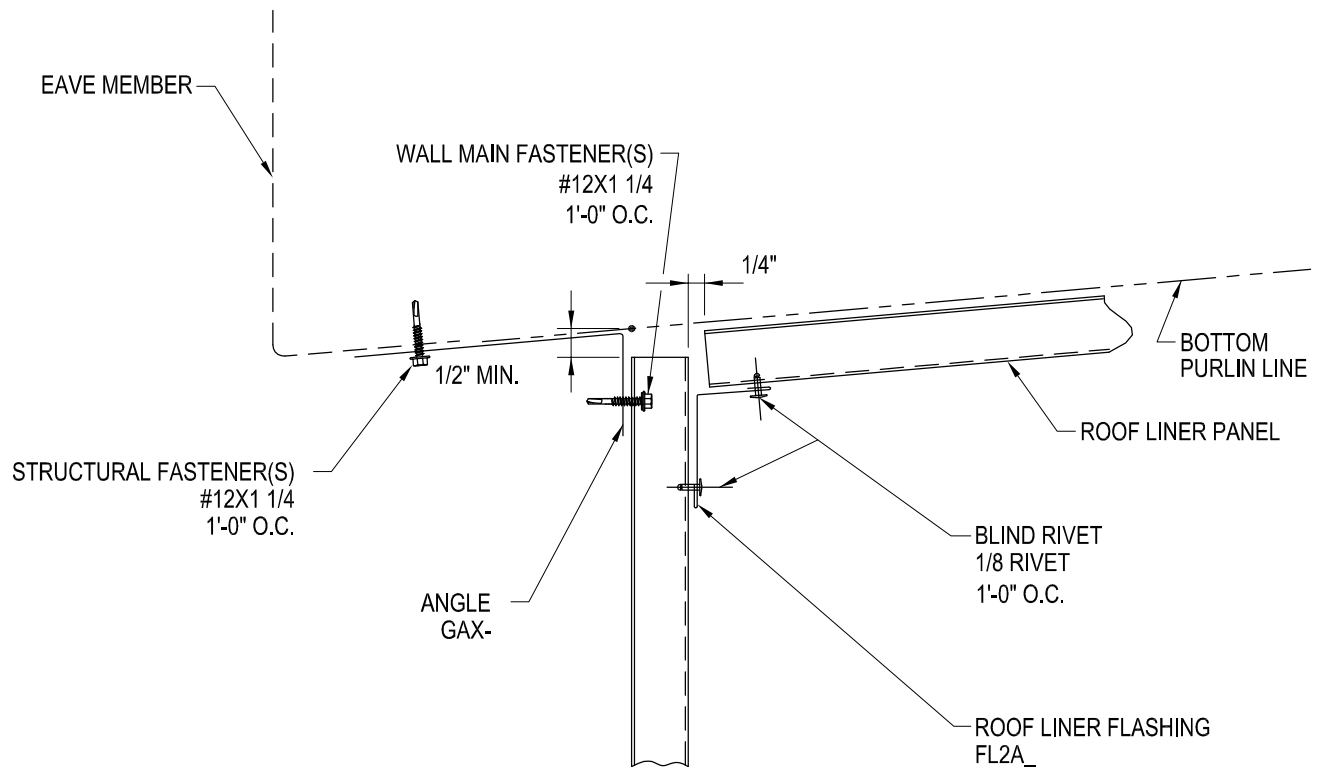


[Download the DWG file by clicking here.](#)

[To Section Index](#)

Liner Head With Roof Liner at Beveled Bottom Eave Strut

LP08W/BB



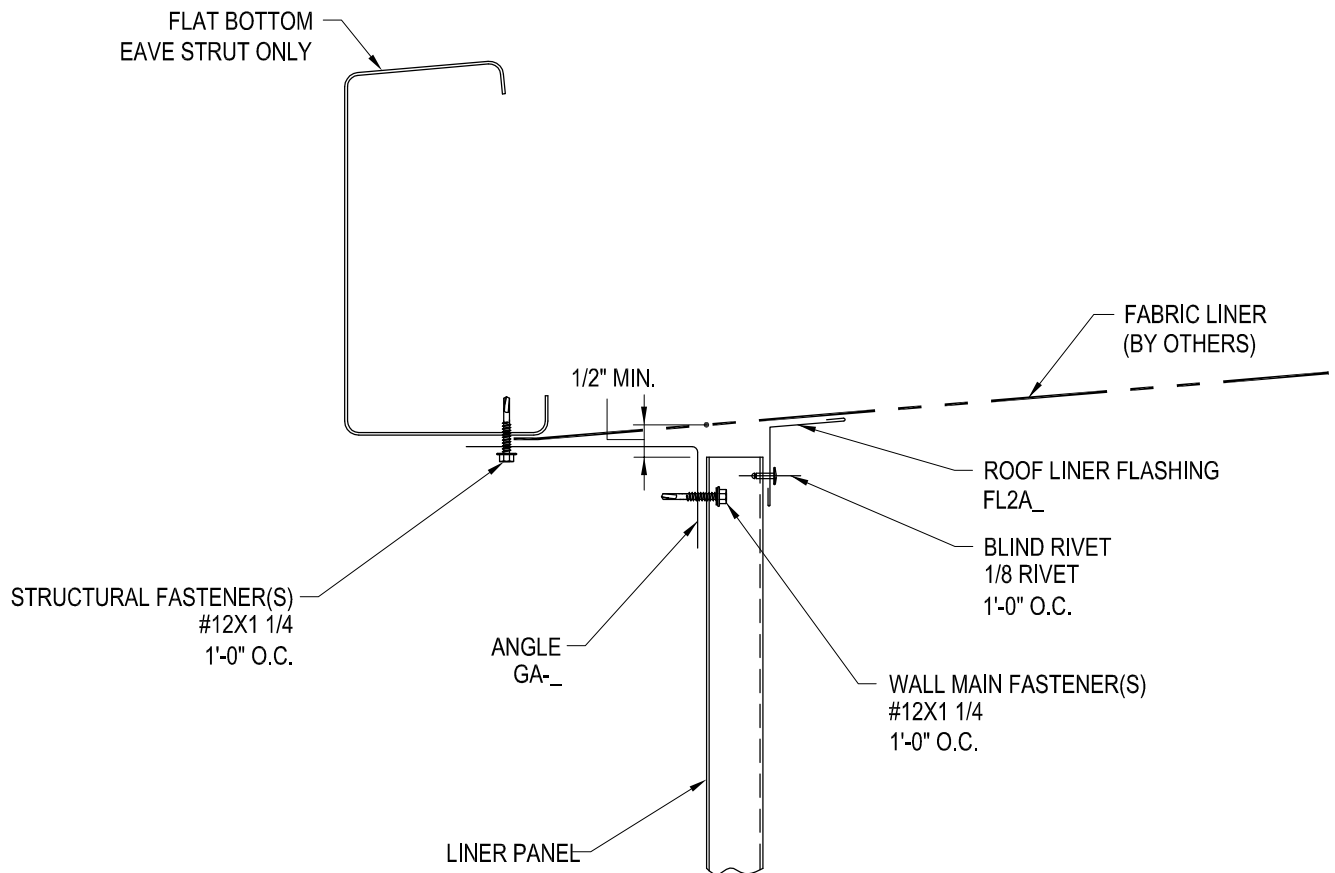
LINER HEAD WITH ROOF LINER AT BEVELED BOTTOM EAVE STRUT

LP08W
BB

[Download the DWG file by clicking here.](#)

[To Section Index](#)

Section Through Liner Head With Fabric Liner Insulation
 Architectural III, Long Span III, Multi-Rib or Soffit Liner Panels
 LP09A/AB



SECTION THROUGH LINER HEAD WITH FABRIC LINER INSULATION

ARCHITECTURAL III, LONG SPAN III, MULTI-RIB OR SOFFIT LINER PANELS

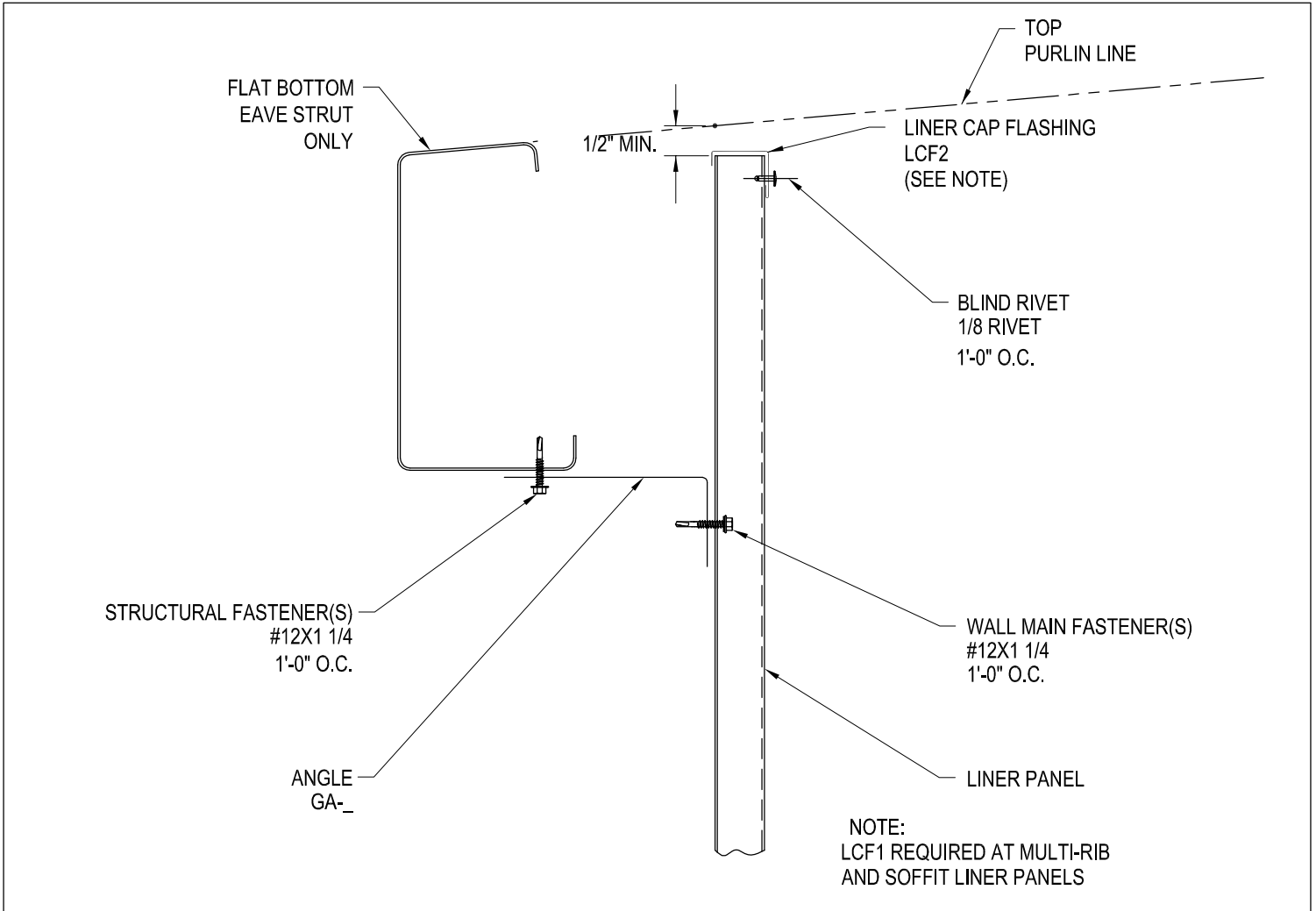
LP09A

AB

[Download the DWG file by clicking here.](#)

[To Section Index](#)

Section Through Roof Liner Head Without Roof Liner
 Architectural III, Long Span III, Multi-Rib or Soffit Liner Panels
 LP09/AB



SECTION THROUGH LINER HEAD WITHOUT ROOF LINER

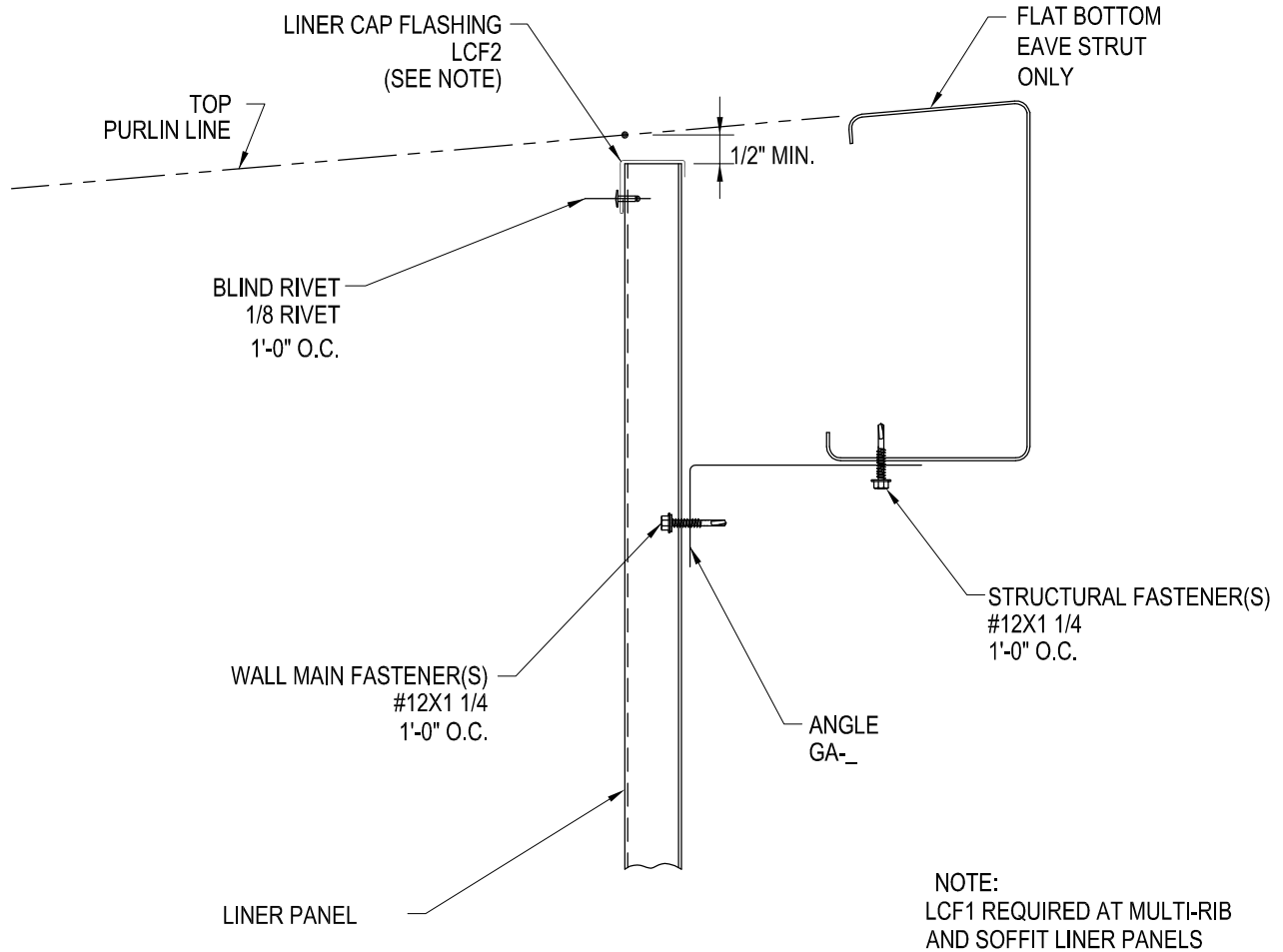
ARCHITECTURAL III, LONG SPAN III, MULTI-RIB OR SOFFIT LINER LINER PANELS

LP09
AB

[Download the DWG file by clicking here.](#)

[To Section Index](#)

Section Through Liner Head Without Roof Liner at High Side
 Architectural III, Long Span III, Multi-Rib or Soffit Liner Panels
 LP09A/BA



SECTION THROUGH LINER HEAD WITHOUT ROOF LINER AT HIGH SIDE

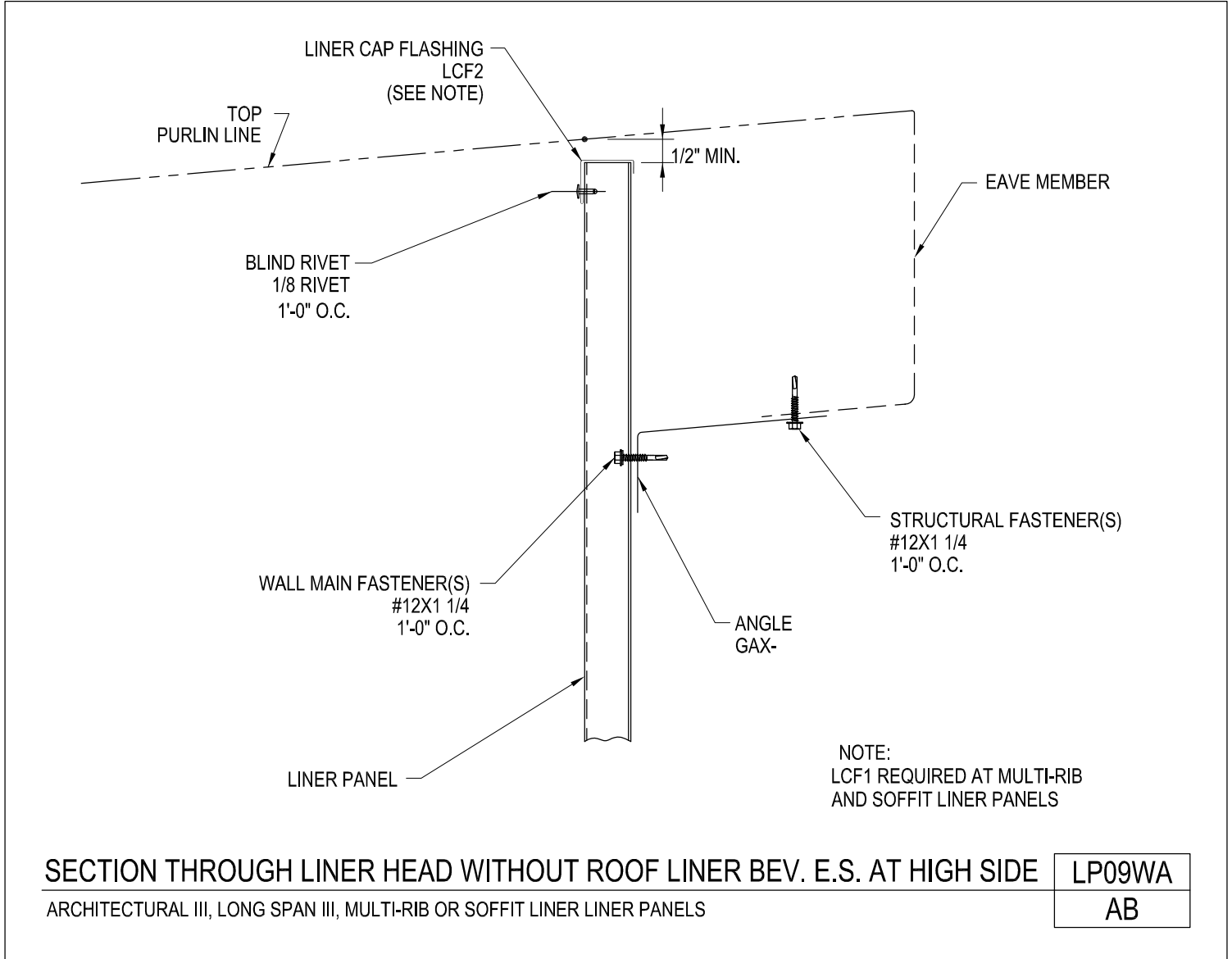
ARCHITECTURAL III, LONG SPAN III, MULTI-RIB OR SOFFIT LINER LINER PANELS

LP09A
BA

[Download the DWG file by clicking here.](#)

[To Section Index](#)

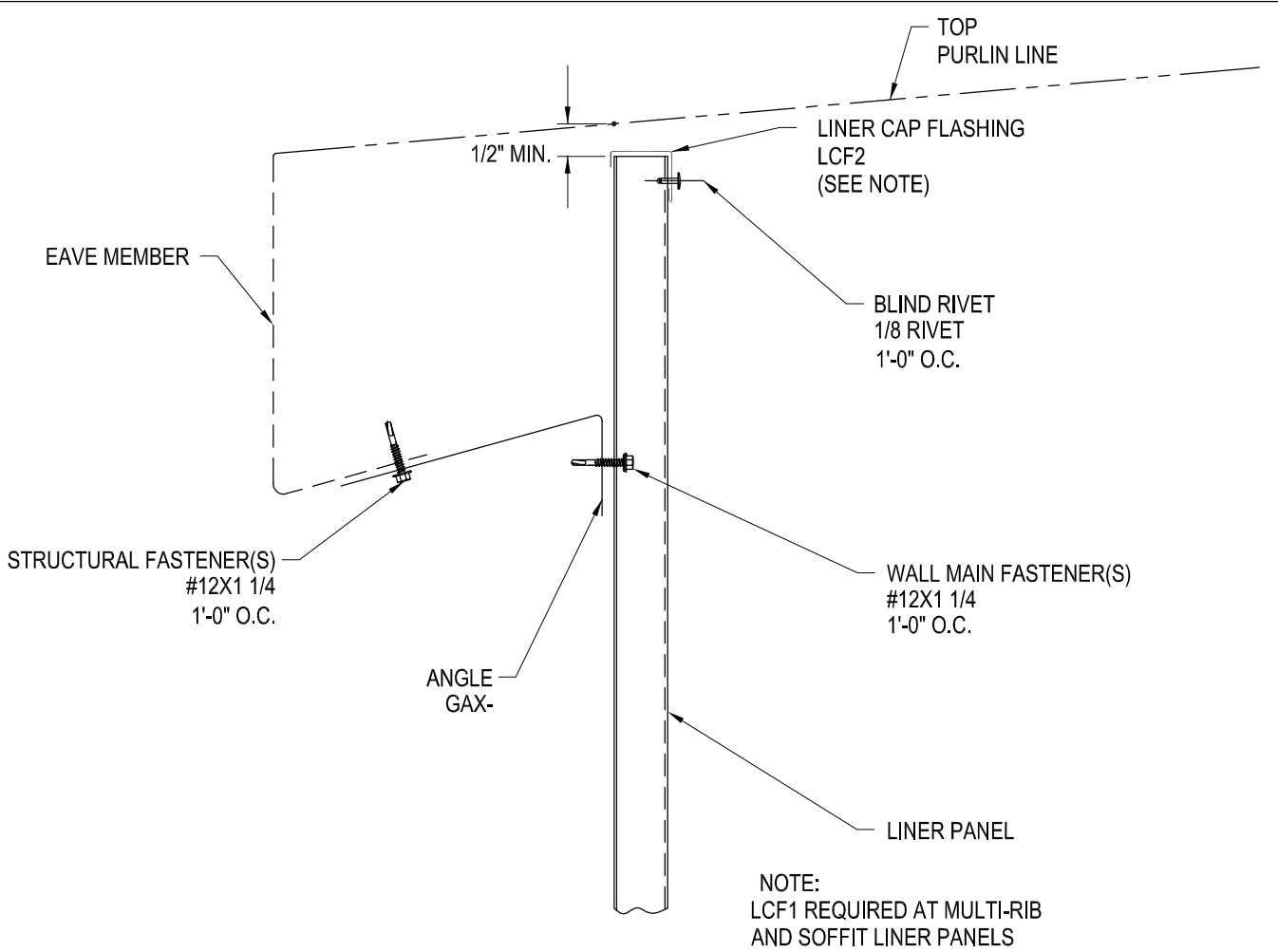
Section Through Liner Head Without Roof Liner Beveled E.S. at High Side
Architectural III, Long Span III, Multi-Rib or Soffity Liner Panels
LP09WA/AB



[Download the DWG file by clicking here.](#)

[To Section Index](#)

Section Through Liner Head Without Roof Liner Beveled E.S.
 Architectural III, Long Span III, Multi-Rib or Soffit Liner Panels
 LP09W/AB



SECTION THROUGH LINER HEAD WITHOUT ROOF LINER BEV. E.S.

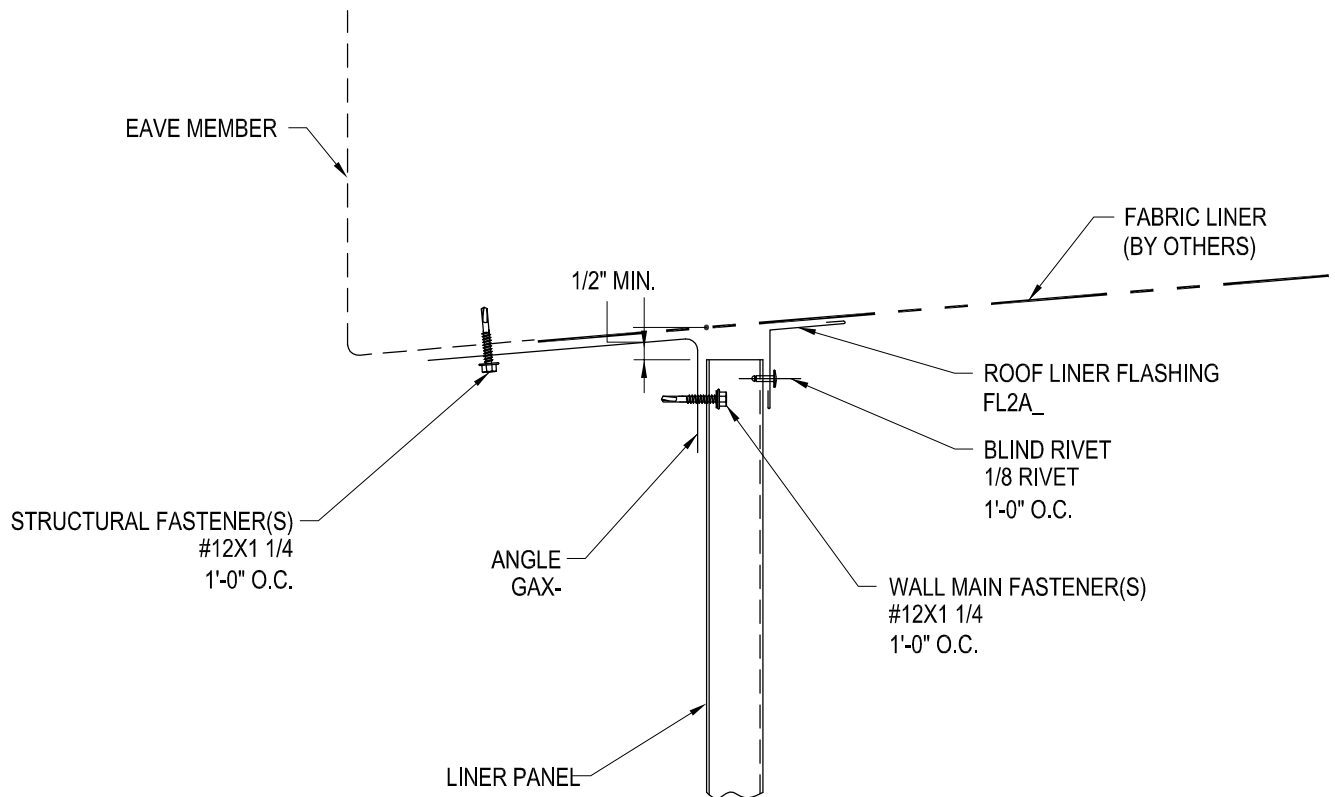
ARCHITECTURAL III, LONG SPAN III, MULTI-RIB OR SOFFIT LINER LINER PANELS

LP09W
AB

[Download the DWG file by clicking here.](#)

[To Section Index](#)

Section Through Liner Head With Fabric Liner Insulation and Beveled E.S.
Architectural III, Long Span III, Multi-Rib or Soffit Liner Panels
LP09WY/AB



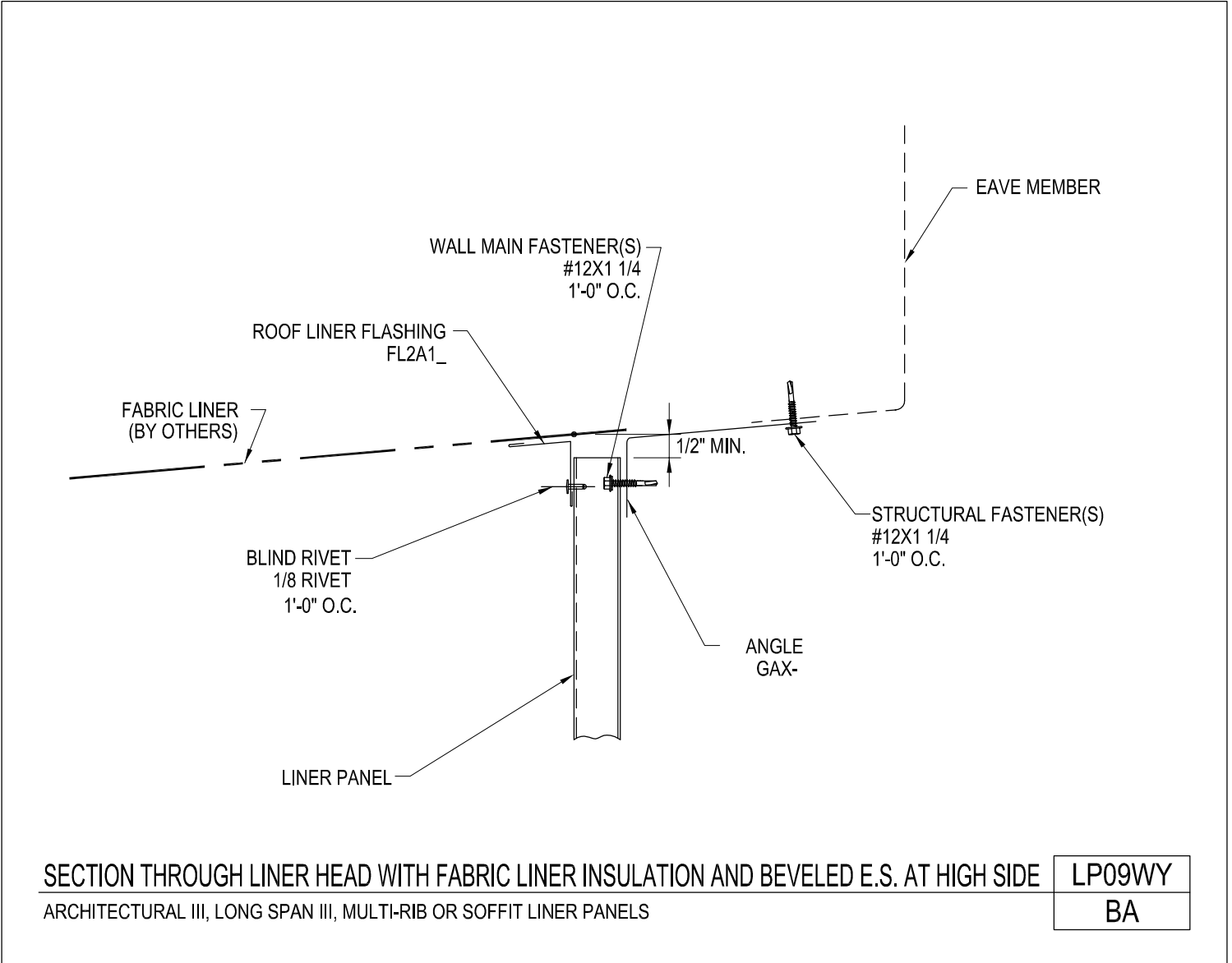
SECTION THROUGH LINER HEAD WITH FABRIC LINER INSULATION AND BEVELED E.S.
ARCHITECTURAL III, LONG SPAN III, MULTI-RIB OR SOFFIT LINER PANELS

LP09WY
AB

[Download the DWG file by clicking here.](#)

[To Section Index](#)

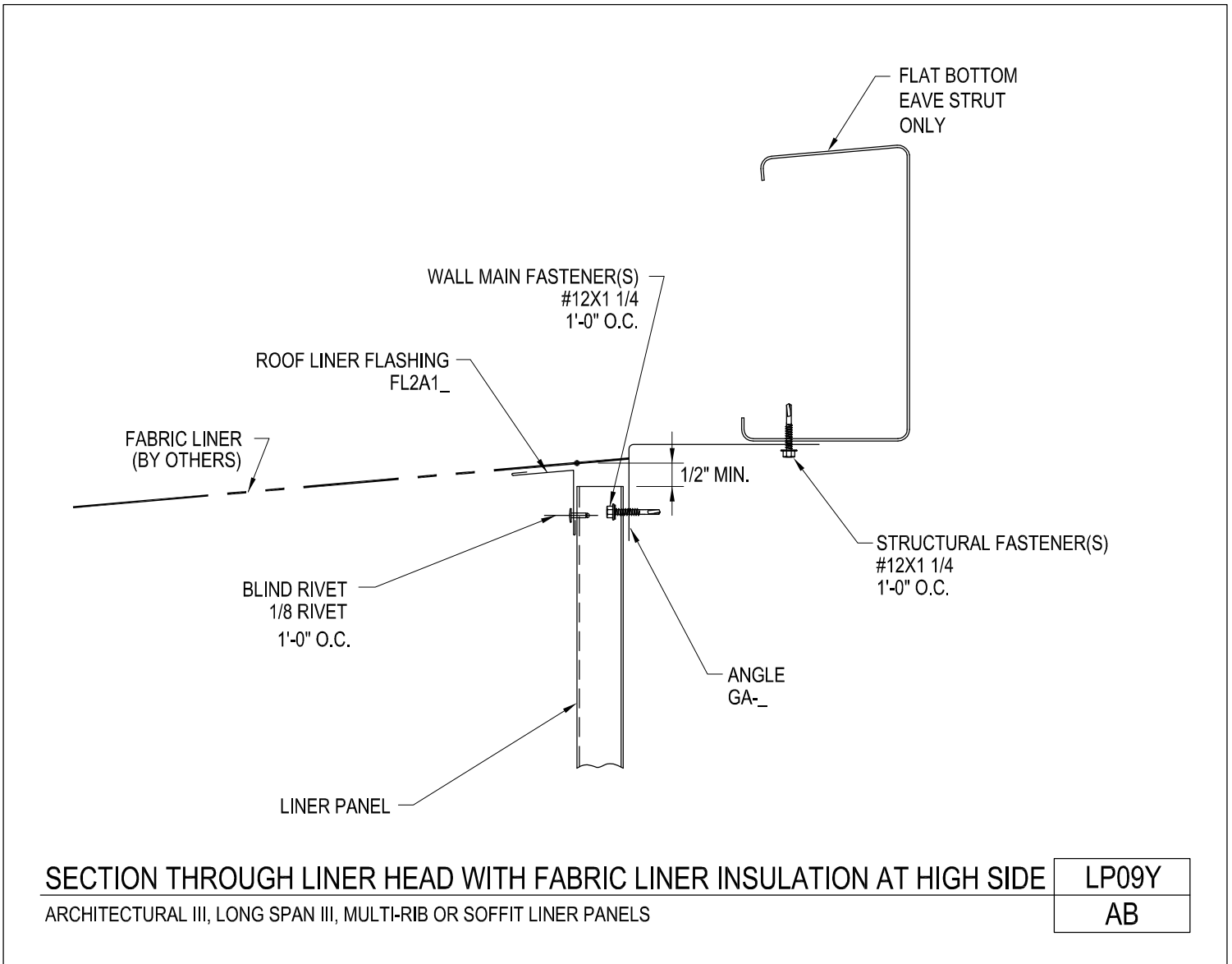
Section Through Liner Head With Fabric Liner Insulation and Beveled E.S. at High Side
 Architectural III, Long Span III, Multi-Rib or Soffit Liner Panels
 LP09WY/BA



[Download the DWG file by clicking here.](#)

[To Section Index](#)

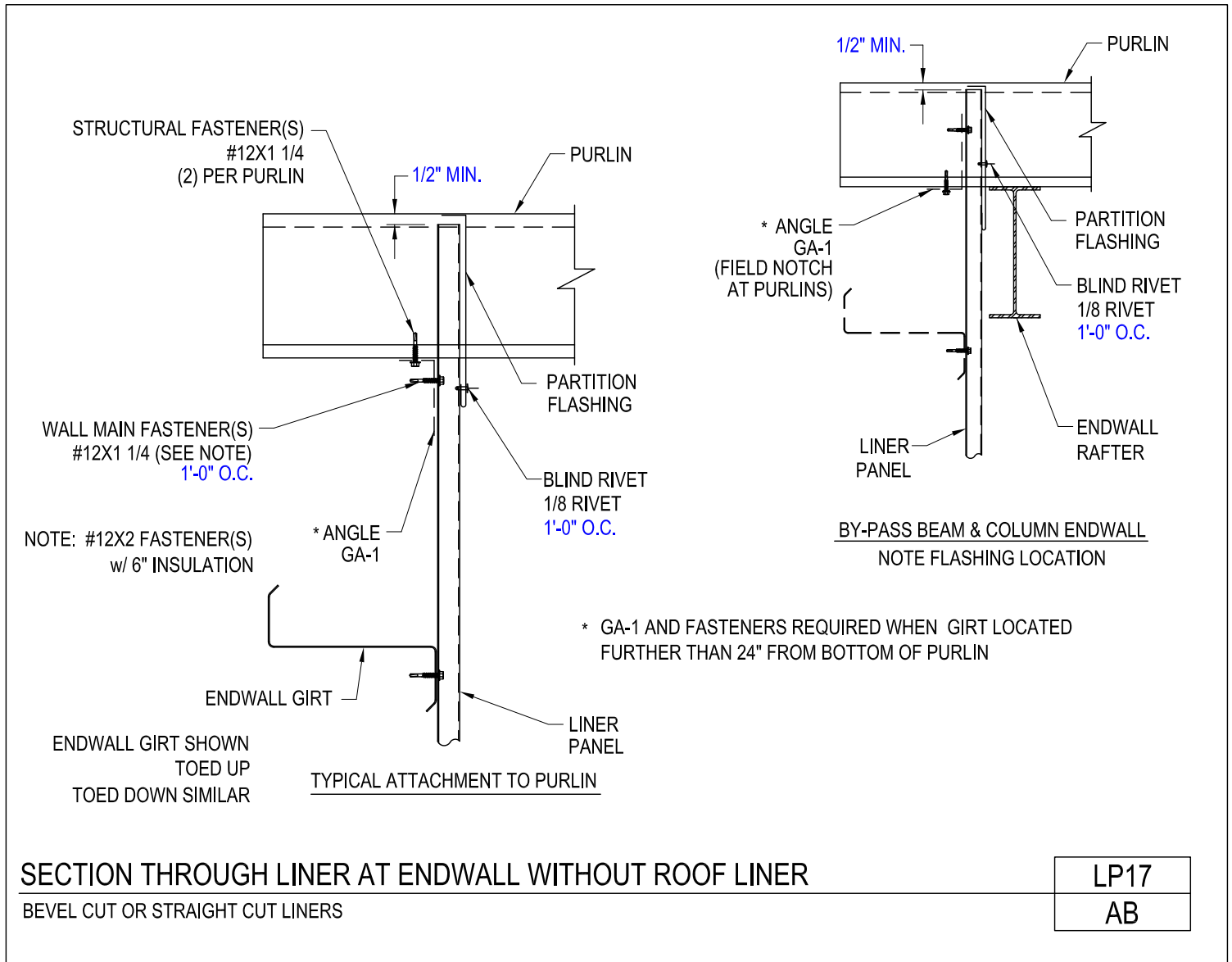
Section Through Liner Head With Fabric Liner Insulation at High Side
Architectural III, Long Span III, Multi-Rib or Soffit Liner Panels
LP09Y/AB



[Download the DWG file by clicking here.](#)

[To Section Index](#)

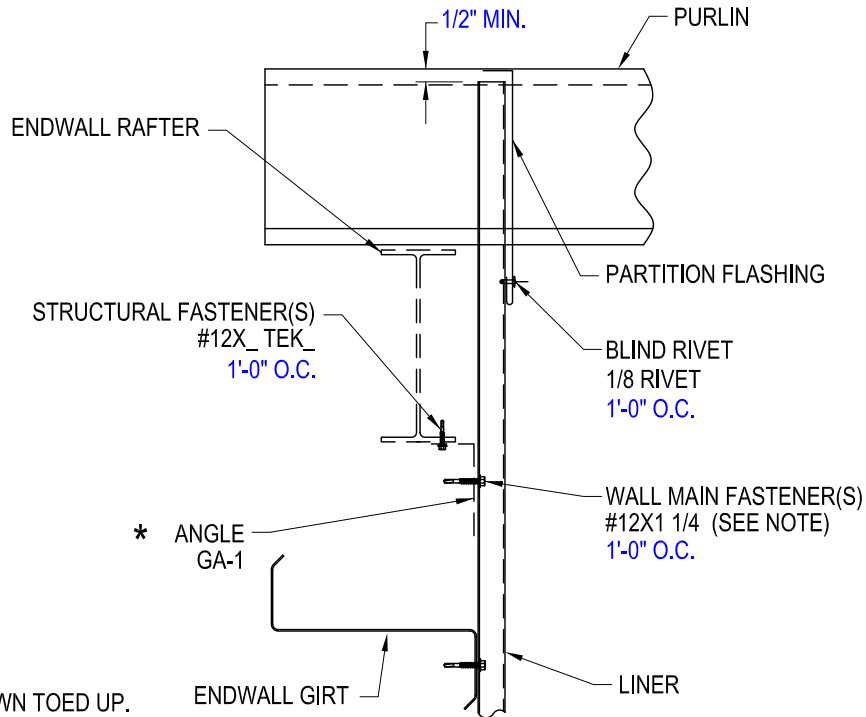
Section Through Liner at Endwall Without Roof Liner
Bevel Cut or Straight Cut Liners
LP17/AB



[Download the DWG file by clicking here.](#)

[To Section Index](#)

Section Through Liner at Endwall Without Roof Liner
Bevel Cut or Straight Cut Liners (Using Tek Fasteners)
LP18/AB



ENDWALL GIRT SHOWN TOED UP.
TOED DOWN SIMILAR.

TYPICAL ATTACHMENT TO PURLIN

GA-1 AND FASTENERS REQUIRED WHEN GIRT LOCATED
FURTHER THAN 24" FROM BOTTOM OF PURLIN

NOTE: #12X2 FASTENER(S) w/ 6" INSULATION

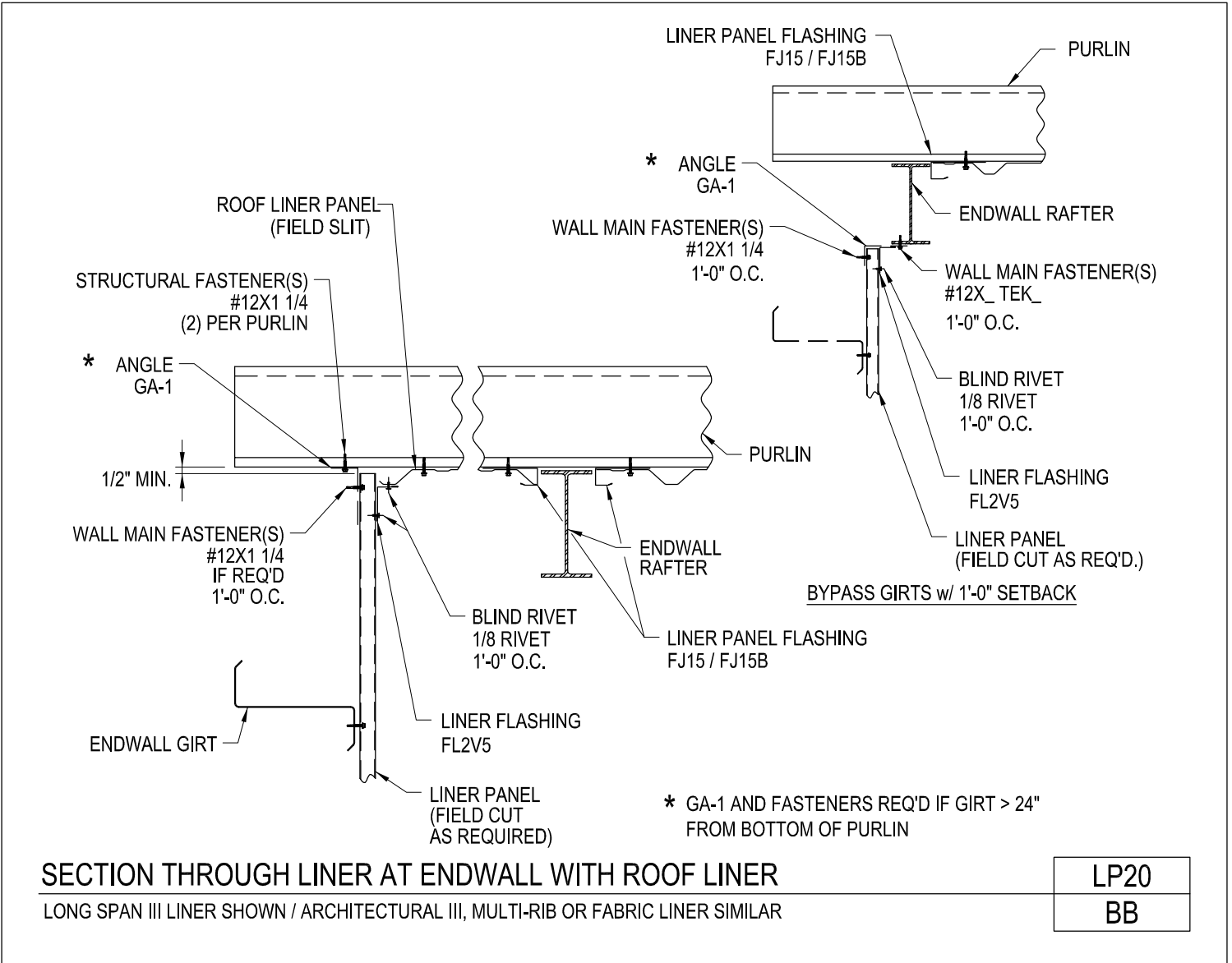
SECTION THROUGH LINER AT ENDWALL WITHOUT ROOF LINER
BEVEL CUT OR STRAIGHT CUT LINERS (USING TEK FASTENERS)

LP18
AB

[Download the DWG file by clicking here.](#)

[To Section Index](#)

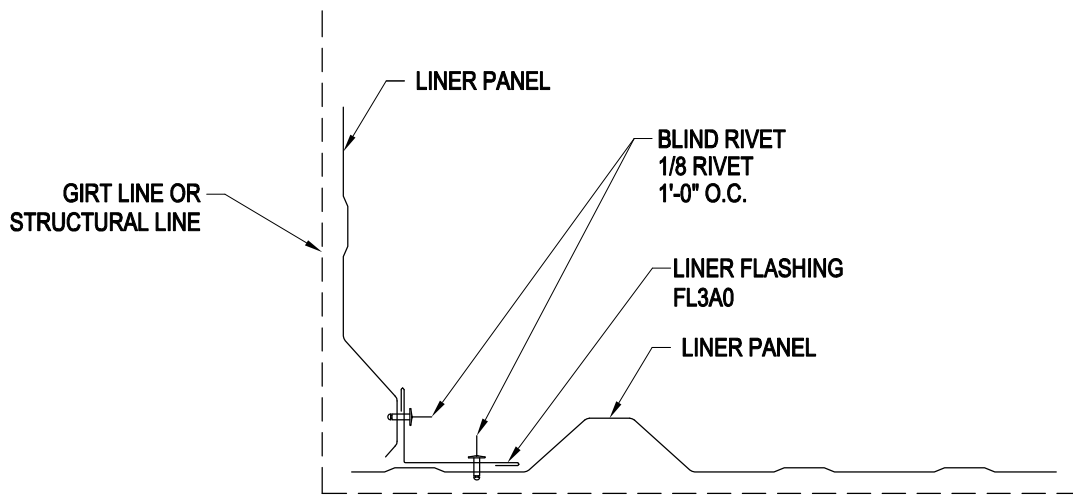
Section Through Liner at Endwall With Roof Liner
 Long Span III Liner Shown / Architectural III, Multi-Rib or Fabric Liner Similar
 LP20/BB



[Download the DWG file by clicking here.](#)

[To Section Index](#)

Liner Panel Corner Detail
Long Span III Shown, Architectural III or Multi-Rib Liner Similar
LP29R/AB



LINER PANEL CORNER DETAIL

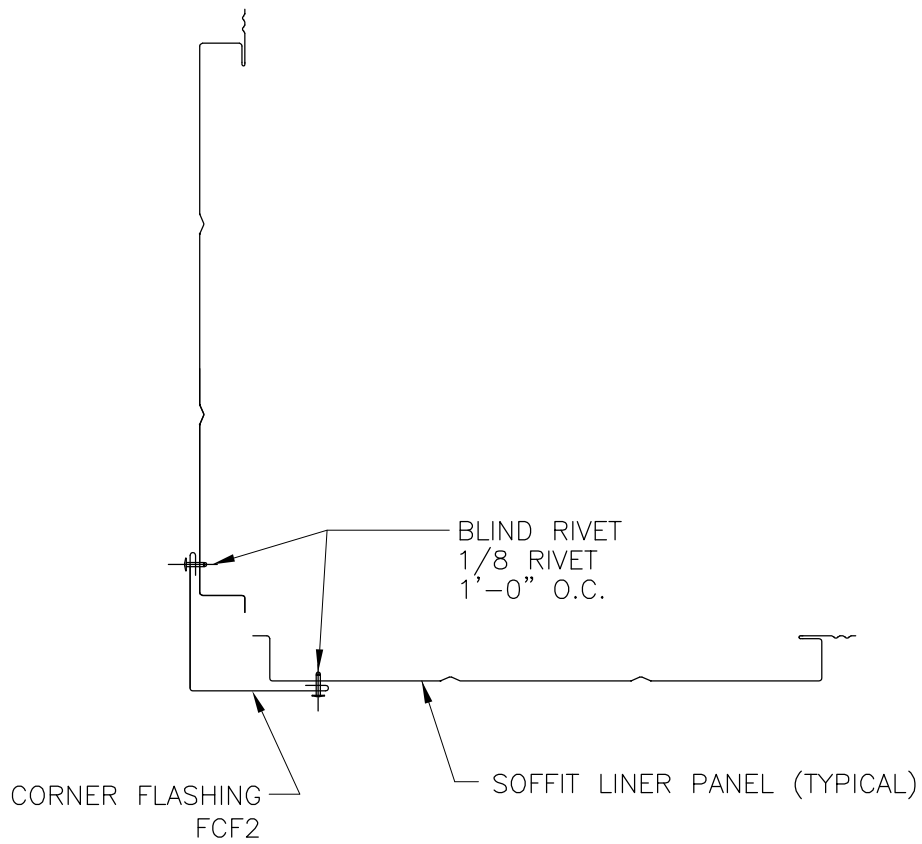
LONG SPAN III SHOWN, ARCHITECTURAL III OR MULTI-RIB LINER SIMILAR

LP29R
AB

[Download the DWG file by clicking here.](#)

[To Section Index](#)

Detail at Outside Corner
Soffit Liner Panels
LP36/AJ



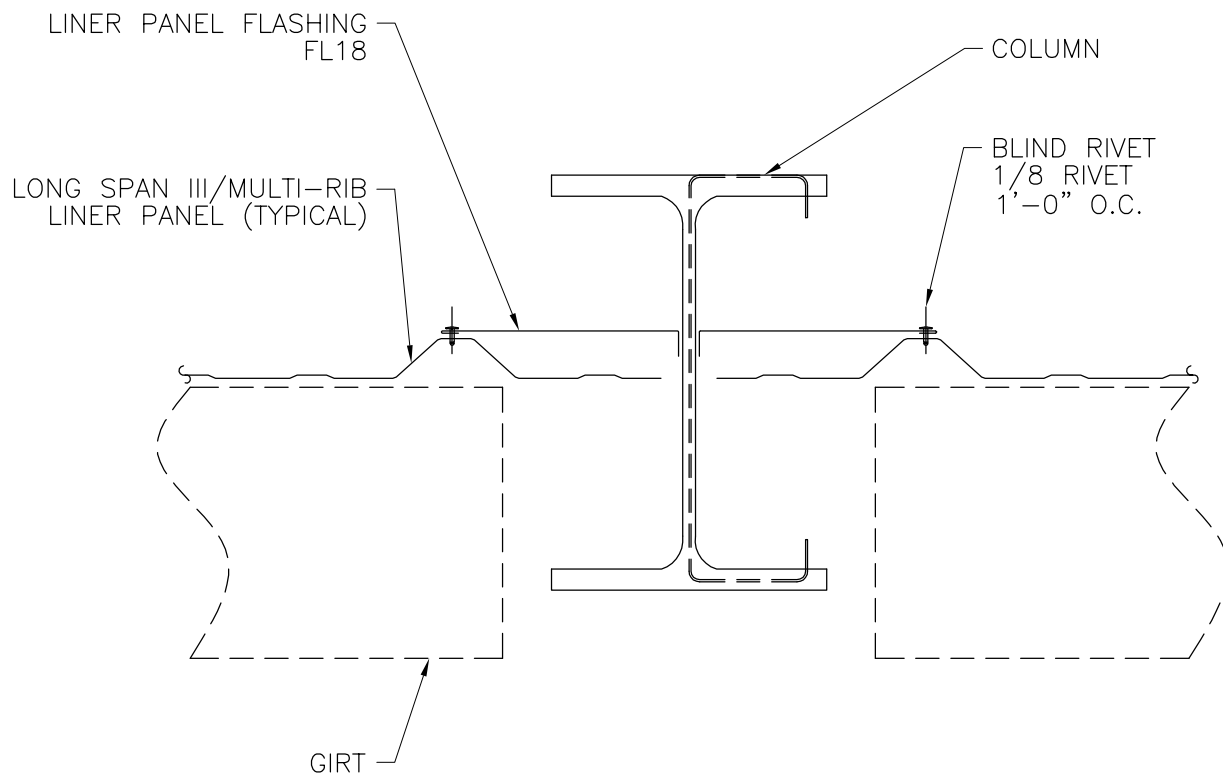
DETAIL AT OUTSIDE CORNER
SOFFIT LINER PANELS

LP36
AJ

[Download the DWG file by clicking here.](#)

[To Section Index](#)

Section Through Column w/ Liner
Inset Girts / Flush Girts - Long Span III or Multi-Rib Liner Panels
LP42Q/AB



SECTION THROUGH COLUMN W/LINER

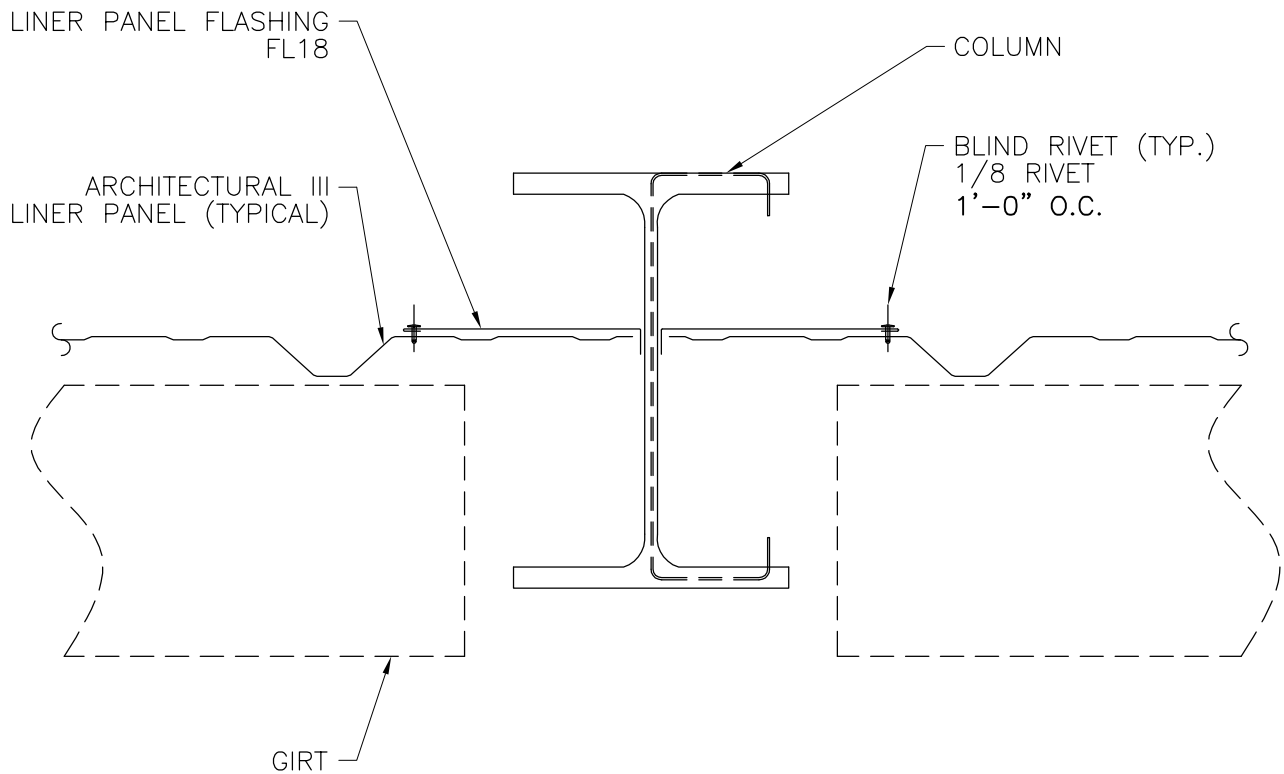
INSET GIRTS / FLUSH GIRTS
LONG SPAN III OR MULTI-RIB LINER PANELS

LP42Q
AB

[Download the DWG file by clicking here.](#)

[To Section Index](#)

Section Through Column w/ Liner
Inset Girts / Flush Girts - Architectural III Liner Panels
LP42Q/AC



SECTION THROUGH COLUMN W/LINER

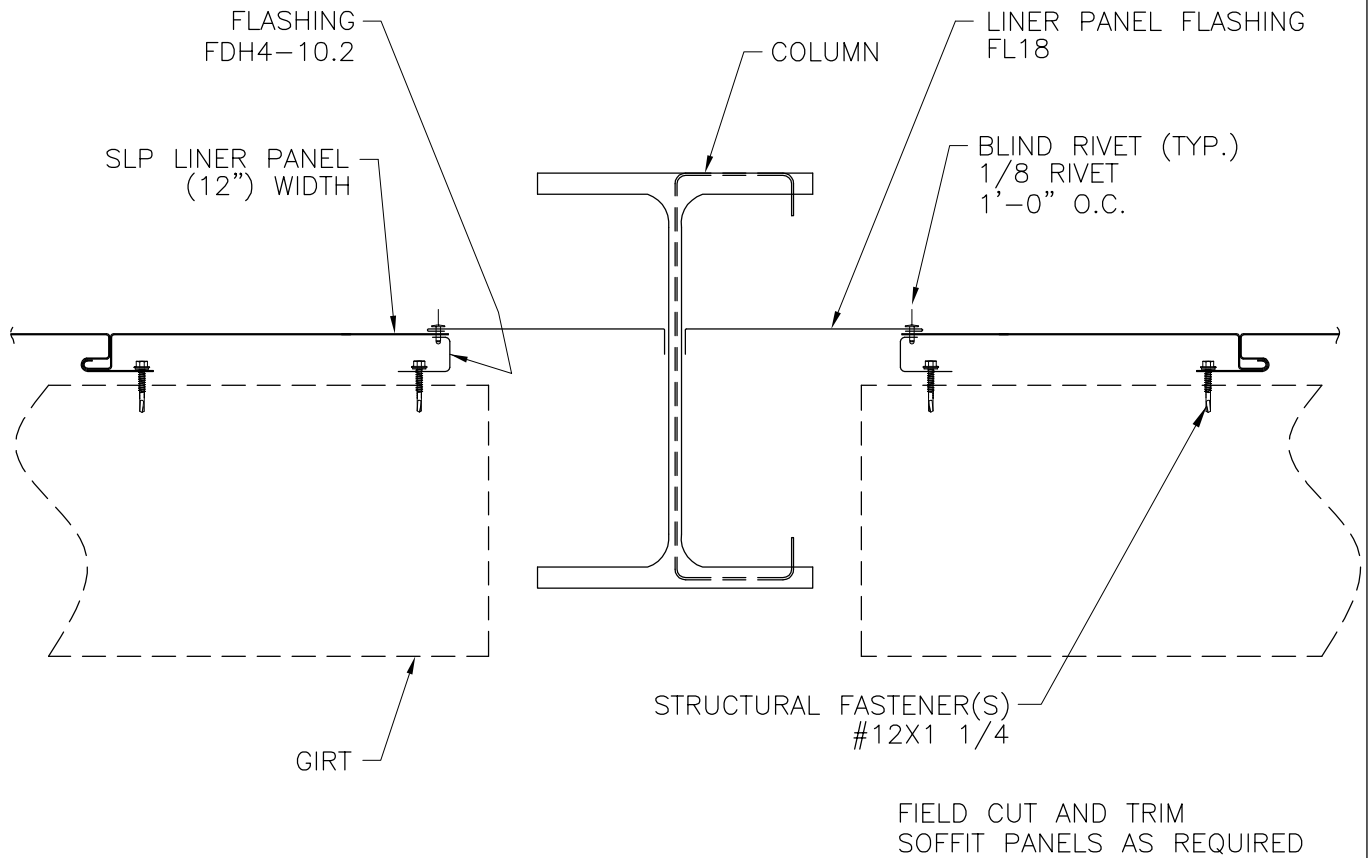
INSET GIRTS / FLUSH GIRTS
ARCHITECTURAL III LINER PANELS

LP42Q
AC

[Download the DWG file by clicking here.](#)

[To Section Index](#)

Section Through Column w/ Liner
Inset Girts / Flush Girts - Soffit Liner Panels
LP42QB/AB



SECTION THROUGH COLUMN W/LINER

INSET GIRTS / FLUSH GIRTS
SOFFIT LINER LINER PANELS

LP42QB
AB

[Download the DWG file by clicking here.](#)

[To Section Index](#)

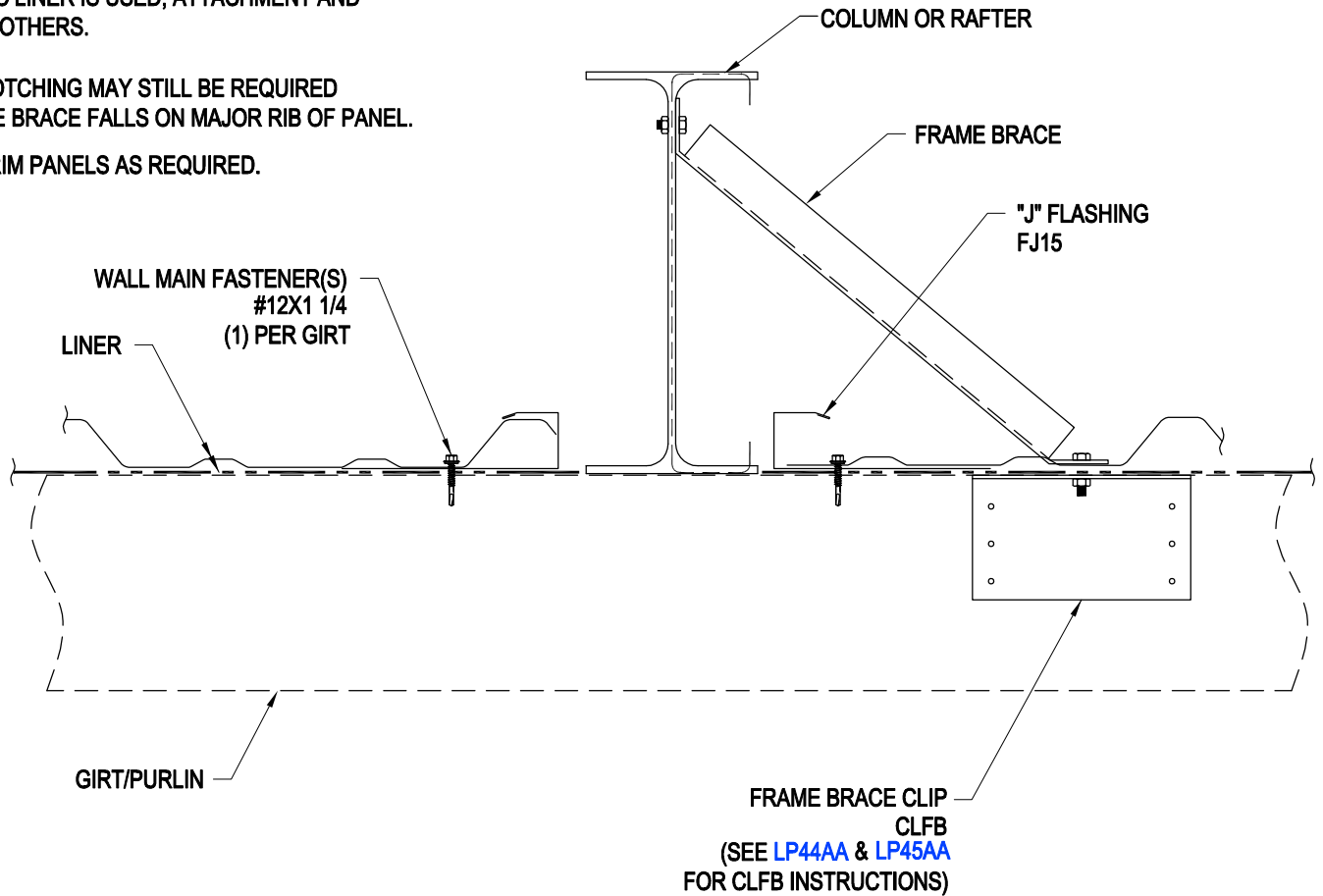
Section Through Bypass Purlin/Girt w/ Liner
Fabric or Long Span III Liner Panels
LP42RA/AB

NOTE:

IF FABRIC LINER IS USED, ATTACHMENT AND TRIM BY OTHERS.

FIELD NOTCHING MAY STILL BE REQUIRED IF FRAME BRACE FALLS ON MAJOR RIB OF PANEL.

FIELD TRIM PANELS AS REQUIRED.



SECTION THROUGH BYPASS PURLIN/GIRT W/ LINER
FABRIC OR LONG SPAN III LINER PANELS

LP42RA
AB

[Download the DWG file by clicking here.](#)

[To Section Index](#)



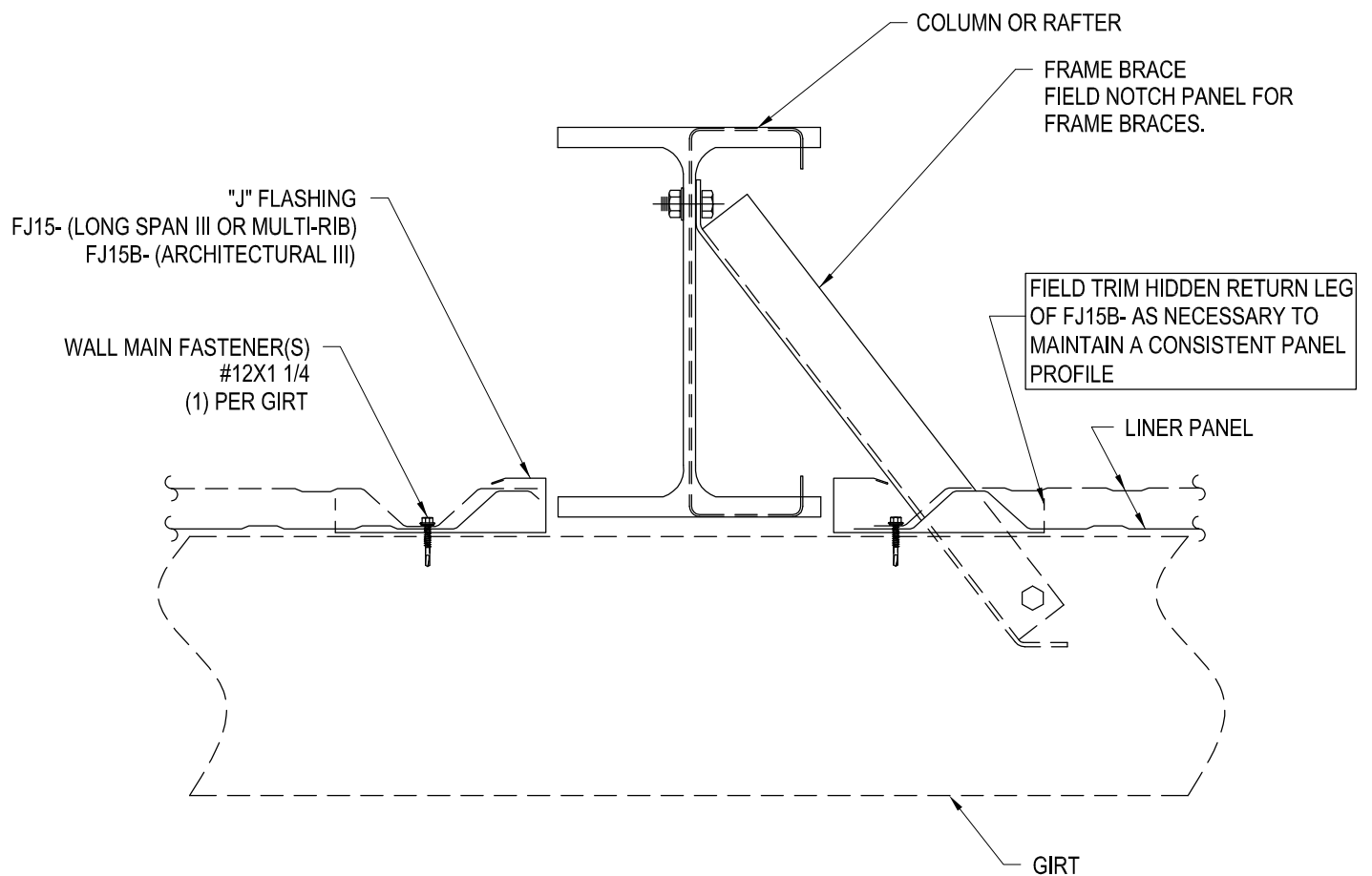
**AMERICAN
BUILDINGS**

A **NUCOR** COMPANY

PRODUCT MANUAL

LINER PANELS

Section Through Bypass Purlin/Girt w/ Liner
Architectural III, Long Span III or Multi-Rib Liner Panels
LP42R/AB



SECTION THROUGH BYPASS PURLIN/GIRT W/LINER

ARCHITECTURAL III, LONG SPAN III OR MULTI-RIB LINER PANELS

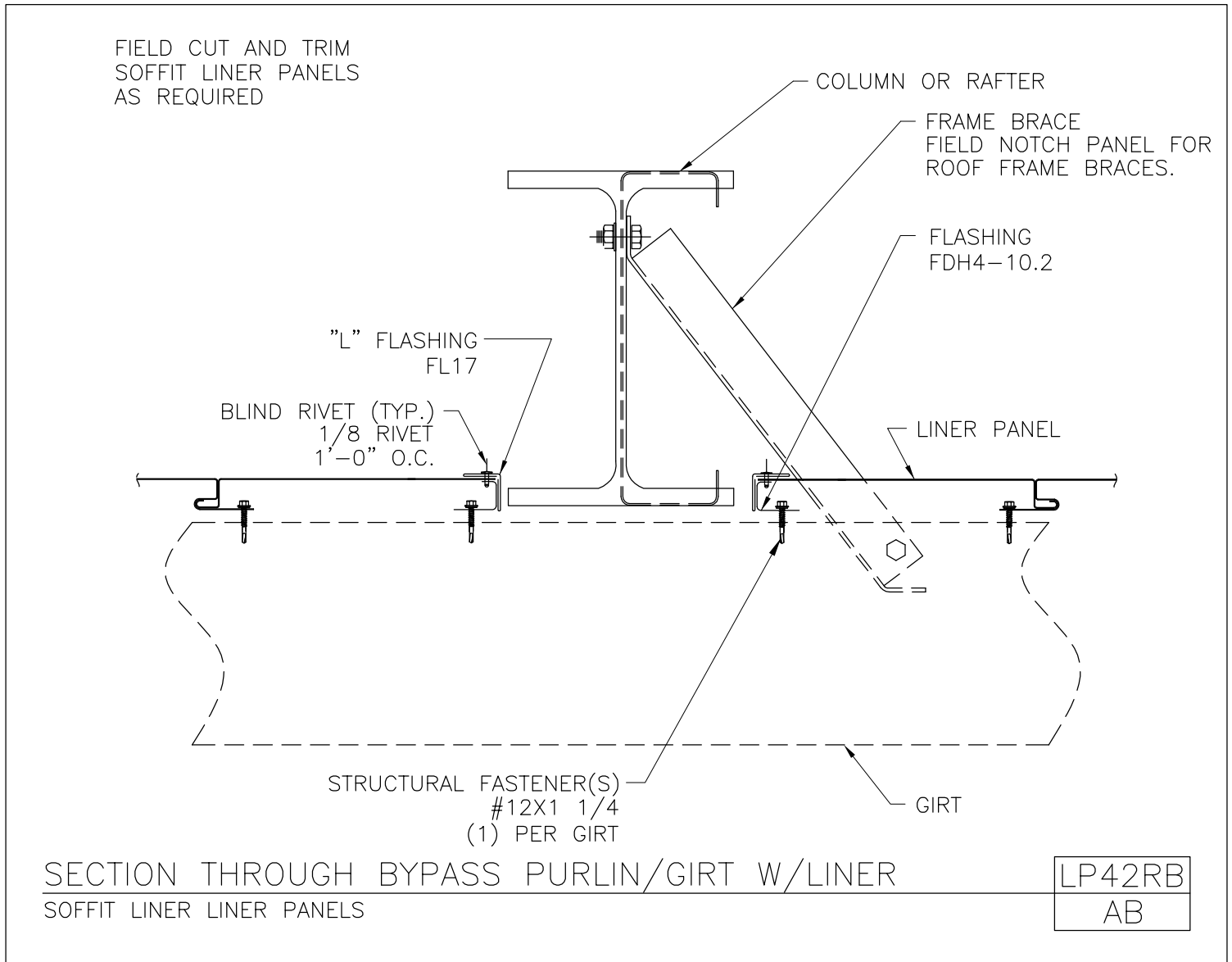
LP42R

AB

[Download the DWG file by clicking here.](#)

[To Section Index](#)

Section Through Bypass Purlin/Girt w/ Liner
Soffit Liner Panels
LP42RB/AB



[Download the DWG file by clicking here.](#)

[To Section Index](#)

Installation Instructions for Frame Brace to CLFB Clip
For Fabric or Metal Liner
LP44/AA

INSTALLATION INSTRUCTIONS FOR FRAME BRACE CLIP CLFB FOR USE AT FABRIC AND METAL LINERS

- STEP 1:
ATTACH ALL FRAME BRACES TO FRAMES AND PURLINS IN THE NORMAL MANNER AS BUILDING IS ERECTED USING 1/2"Ø A325T BOLTS. INSTALL ALL NUTS SNUG BUT NOT FULLY TIGHTENED AT EACH END OF FRAME BRACE.
- STEP 2:
A. AFTER BUILDING IS COMPLETE AND PLUMB AND BEFORE LINER IS INSTALLED DISCONNECT PURLIN/GIRT END OF THE FRAME BRACES ONLY IN THE BAY WHERE THE LINER (FABRIC OR METAL) IS TO BE INSTALLED. WHEN POSSIBLE LIMIT THE WORK AREA FROM RIDGE TO EAVE FOR EACH BAY. IF FRAME BRACE IS ATTACHED AT A PURLIN/GIRT ENDLAP, REINSTALL THE LAP BOLT, SECURE WITH NUT AND FULLY TIGHTEN.
B. USING A 1/2"Ø A325T BOLT, CONNECT FRAME BRACE TAB AT FREE END TO NUT ON BOTTOM LEG OF CLFB CLIP.
- STEP 3:
A. ROTATE CLFB CLIP IN MANNER THAT ALLOWS THE LONG LEG TO ATTACH TO THE PURLIN/GIRT WEB.
B. POSITION THE CLFB CLIP SO THAT SHORT LEG IS FLUSH WITH THE INSIDE FLANGE OF PURLIN/GIRT. FRAME BRACE TAB WILL BE BENT AS REQUIRED.
- STEP 4:
A. ATTACH CLFB CLIP TO PURLIN/GIRT WEB USING (6) STRUCTURAL FASTENERS, #12X1 1/4 SDHH IN THE PRE-PUNCHED CLIP HOLES.

AT THE TIME OF LINER (FABRIC OR METAL) INSTALLATION, TEMPORARILY DISCONNECT FRAME BRACES FROM THE CLFB CLIP ONLY IN THE BAY WHERE THE LINER IS TO BE INSTALLED. WHEN POSSIBLE LIMIT THE WORK AREA FROM RIDGE TO EAVE FOR EACH BAY.

- A. DISCONNECT FRAME BRACE FROM THE CLFB CLIP BY REMOVING THE 1/2"Ø A325T BOLT (DO NOT DISCARD BOLT).

INSTALL LINER ACCORDING TO MANUFACTURERS INSTRUCTIONS.

- B. REATTACH EACH FRAME BRACE TO THE CLFB CLIP IMMEDIATELY AFTER THE LINER INSTALLATION IS COMPLETE RE-USING THE 1/2"Ø A325T BOLT. NOTE: 1/2"Ø HOLE IS REQUIRED IN FABRIC LINER AT BOLT LOCATION, SEE FOLLOWING INSTRUCTIONS FOR METAL LINER.
C. FULLY TIGHTEN THE BOLTS ON BOTH ENDS OF FRAME BRACE.
D. SECURE ALL FRAME BRACES IN THE WORK AREA BEFORE PROCEEDING.

INSTALLATION INSTRUCTIONS FOR LINER ON RETROFIT CONSTRUCTION

FOLLOW STEPS 2 AND 3 FROM THE "INSTALLATION INSTRUCTIONS FOR FRAME BRACE CLIP CLFB FOR USE AT FABRIC AND METAL LINERS"

NOTES:

1. IF BOLTS LOCATED IN THE WEB OF THE PURLIN/GIRT INTERFERES WITH THE PLACEMENT OF A CLFB CLIP;
 - A. TEMPORARILY REMOVE ONLY THE INTERFERING BOLTS FROM THE PURLIN/GIRT WEB.
 - B. ATTACH CLFB CLIP PER STEPS 3 AND 4 OF THE "INSTALLATION INSTRUCTIONS FOR FRAME BRACE CLIP CLFB FOR USE AT FABRIC AND METAL LINERS"
 - C. DRILL 9/16" DIAMETER HOLE THROUGH THE LONG LEG OF THE CLFB CLIP AT THE LOCATIONS OF THE REMOVED BOLTS.
 - D. REINSTALL THE REMOVED BOLTS AT THEIR ORIGINAL LOCATION AND FULLY TIGHTEN.
2. IF A PRE-PUNCHED HOLE IN THE CLFB CLIP ALIGNS WITH A PURLIN/GIRT WEB HOLE;
 - A. RELOCATE THE FASTENER AS CLOSE AS POSSIBLE TO ITS DESIGNATED LOCATION.
 1. DRILL A NEW 1/4" DIAMETER HOLE IN THE CLFB CLIP AS CLOSE AS POSSIBLE TO THE UNUSABLE PRE-PUNCHED HOLE AND INSTALL FASTENER AS REQUIRED.
 2. OR INSTALL A #12X1 1/2 SDHHTS STRUCTURAL FASTENER AS CLOSE AS POSSIBLE THROUGH THE CLFB CLIP INTO PURLIN/GIRT WEB AS CLOSE AS POSSIBLE TO THE UNUSABLE PRE-PUNCHED HOLE.
 - B. ALL CLFB CLIPS MUST BE ATTACHED TO PURLIN/GIRT WEB WITH (6) STRUCTURAL FASTENERS.

ADDITIONAL STEPS REQUIRED FOR METAL LINER PANELS

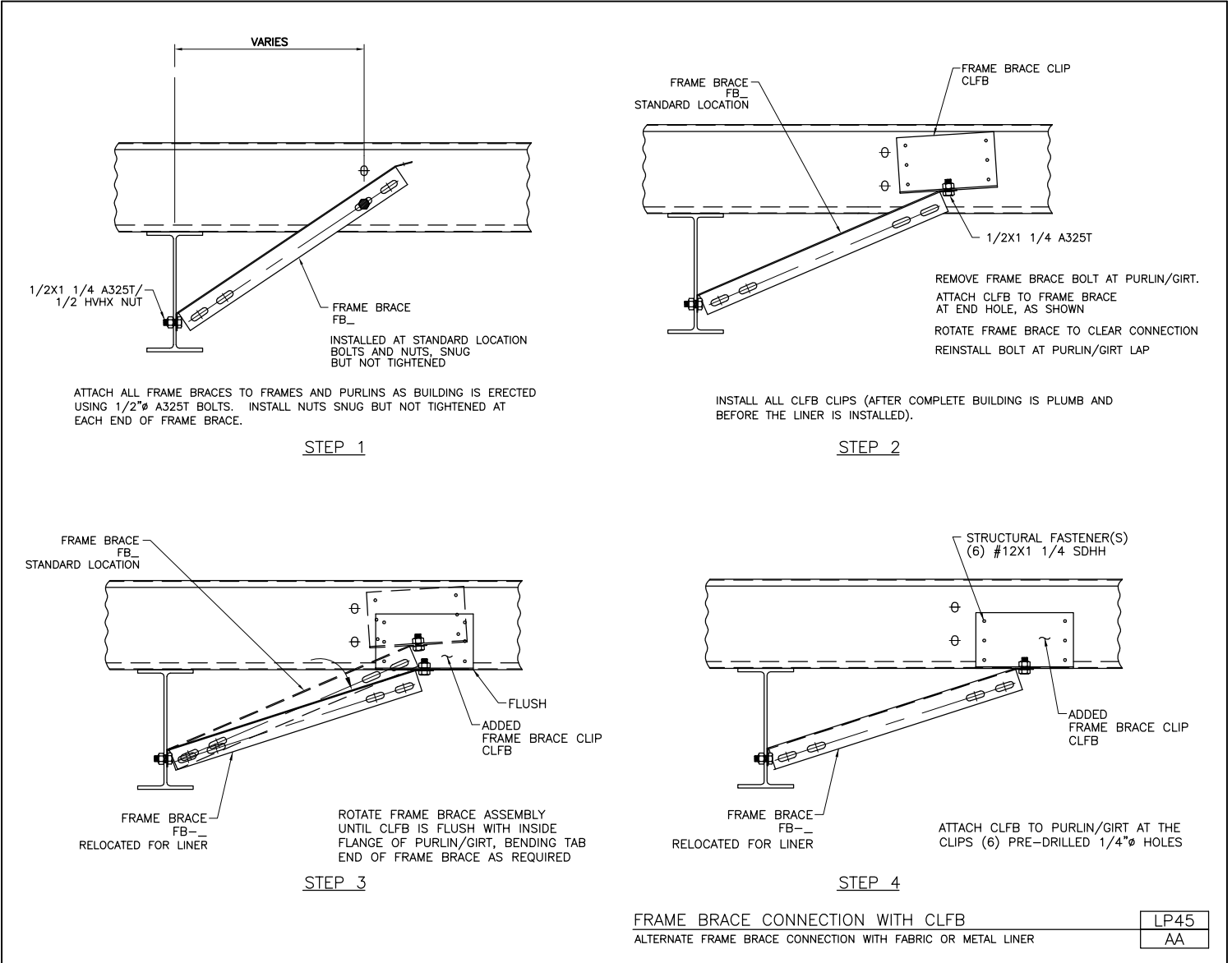
1. MARK AND PRE-DRILL 9/16" DIAMETER HOLES IN METAL LINER PANEL TO BE INSTALLED AT FRAME BRACE ATTACHMENTS TO THE CLFB CLIPS.
2. IF FRAME BRACE ATTACHMENT HOLES ARE LOCATED AT MAJOR RIBS OF THE METAL LINER PANEL;
 - A. CUT THE MAJOR RIB AS REQUIRED AND DRILL 9/16" DIAMETER HOLE (IF NECESSARY) TO ACCOMMODATE THE FRAME BRACE ATTACHMENT TO THE CLFB CLIP.
3. MAKE COSMETIC REPAIRS TO METAL LINER AS NEEDED.

INSTALLATION INSTRUCTIONS FOR FRAME BRACE TO CLFB CLIP
FOR FABRIC OR METAL LINER

LP44
AA

[Download the DWG file by clicking here.](#)

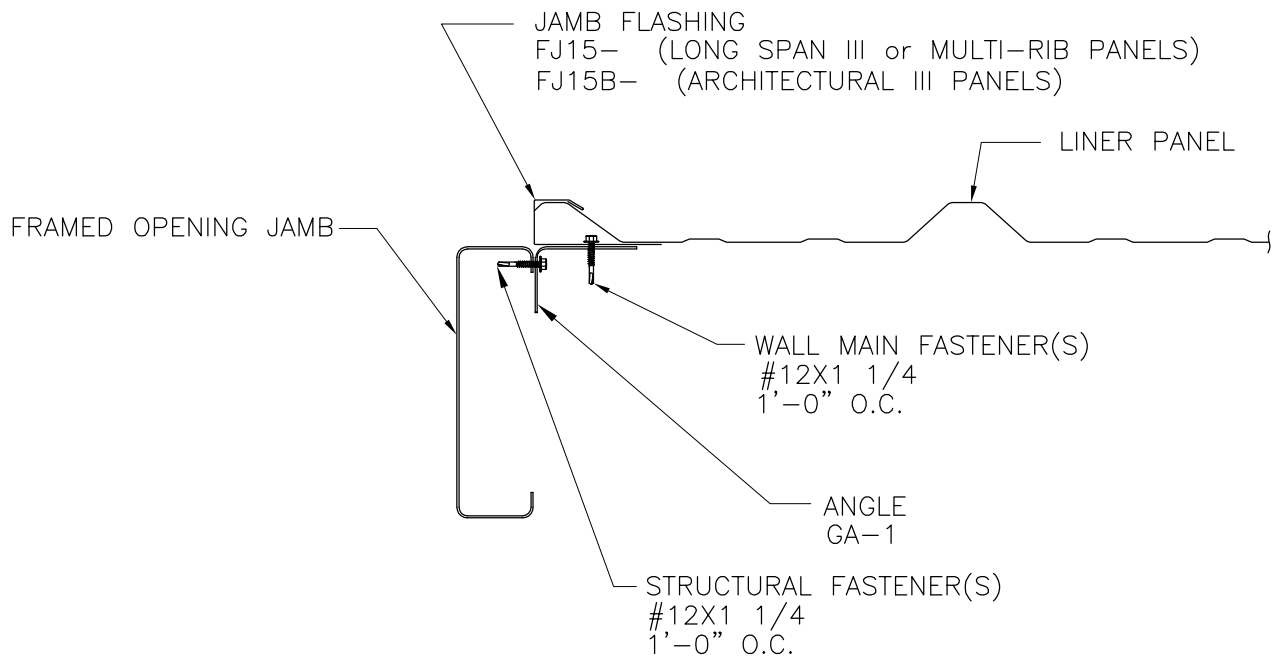
Frame Brace Connection with CLFB
 Alternate Frame Brace Connection with Fabric or Metal Liner
 LP45/AA



[Download the DWG file by clicking here.](#)

[To Section Index](#)

Section at Roll-Up or Overhead Door Jamb w/ Liner
 Long Span III Liner Shown / Architectural III or Multi-Rib Liner Similar
 LP51/AB



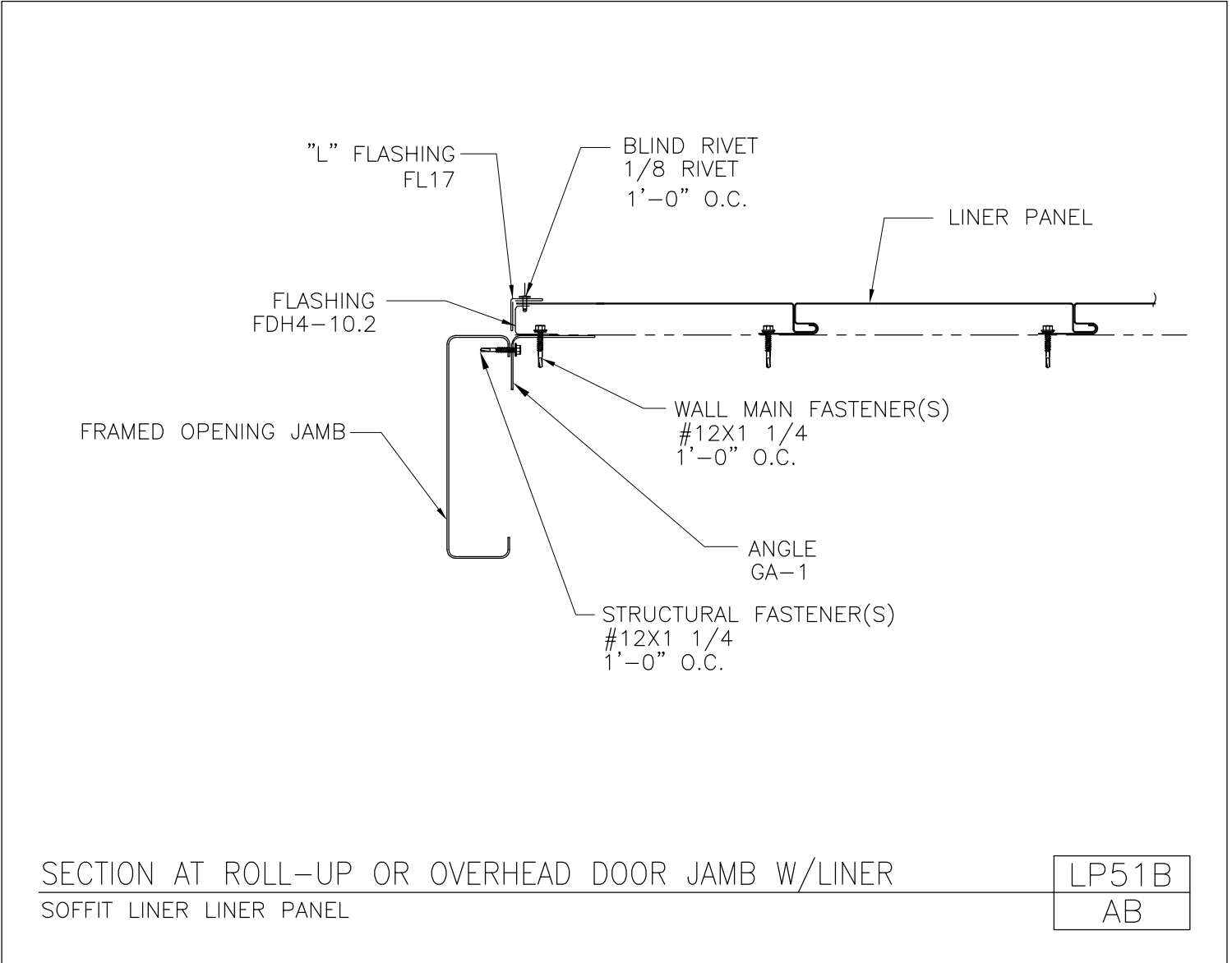
SECTION AT ROLL-UP OR OVERHEAD DOOR JAMB W/LINER
 LONG SPAN III LINER SHOWN / ARCHITECTURAL III OR MULTI-RIB LINER SIMILAR

LP51
AB

[Download the DWG file by clicking here.](#)

[To Section Index](#)

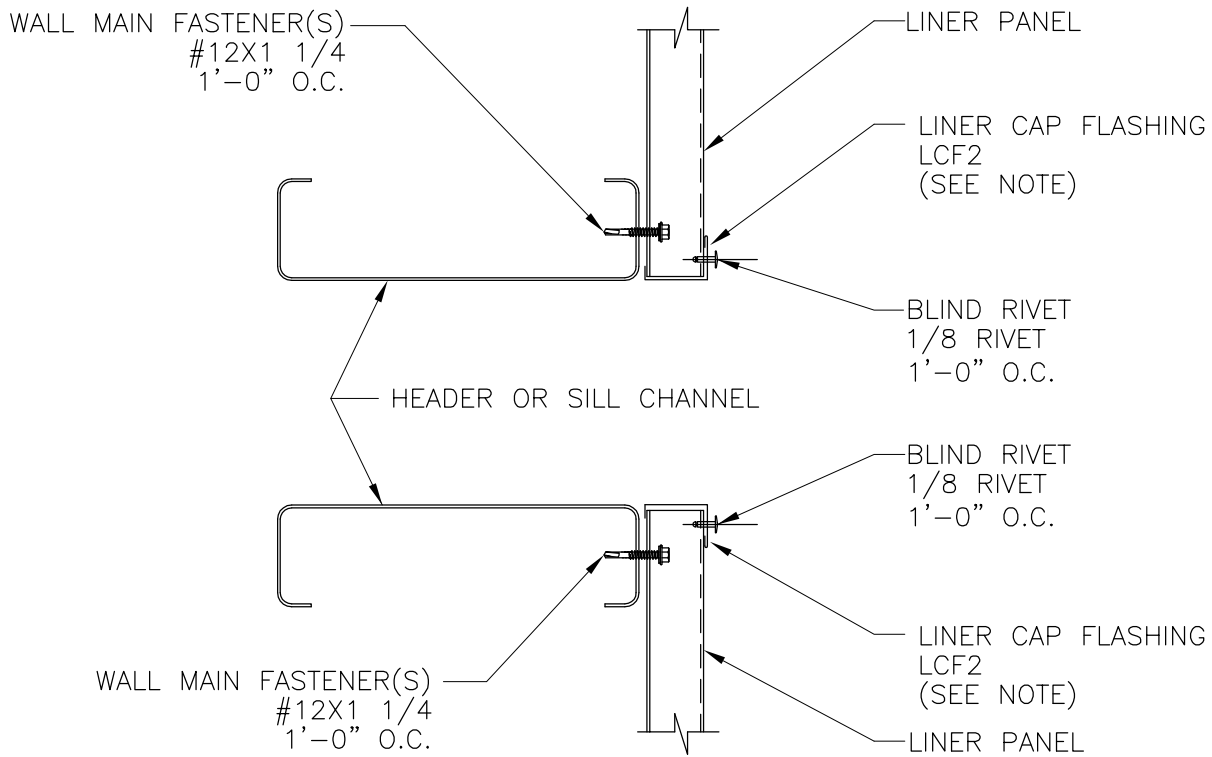
Section at Roll-Up or Overhead Door Jamb w/ Liner
Soffit Liner Panels
LP51B/AB



[Download the DWG file by clicking here.](#)

[To Section Index](#)

Section Through Header & Sill With Liner
Architectural III, Long Span III, Multi-Rib or Soffit Liner Panels
LP52/AB



NOTE:
LCF1 REQUIRED AT MULTI-RIB
AND SOFFIT LINER PANELS

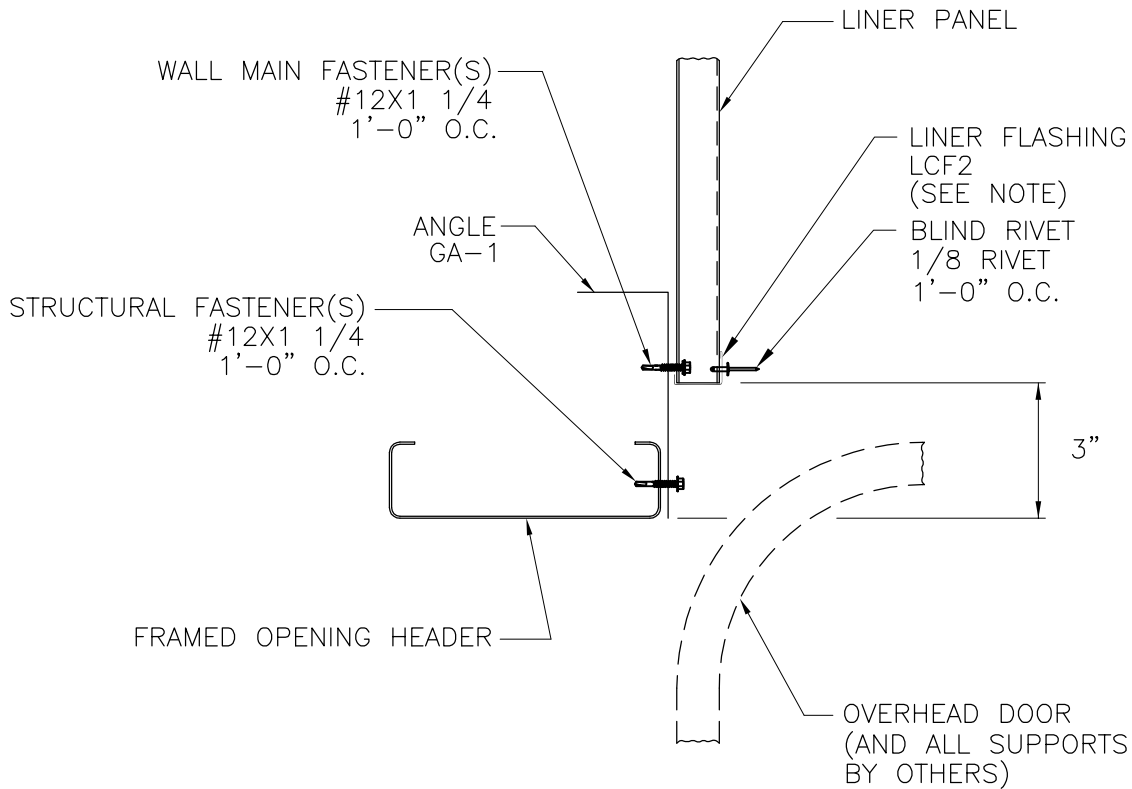
SECTION THROUGH HEADER & SILL WITH LINER
ARCHITECTURAL III, LONG SPAN III, MULTI-RIB OR SOFFIT LINER LINER PANELS

LP52
AB

[Download the DWG file by clicking here.](#)

[To Section Index](#)

Section at Overhead Door Header w/ Liner
Architectural III, Long Span III, Multi-Rib or Soffit Liner Panels
LP53/AB



NOTE:
LCF1 REQUIRED AT MULTI-RIB
AND SOFFIT LINER PANELS

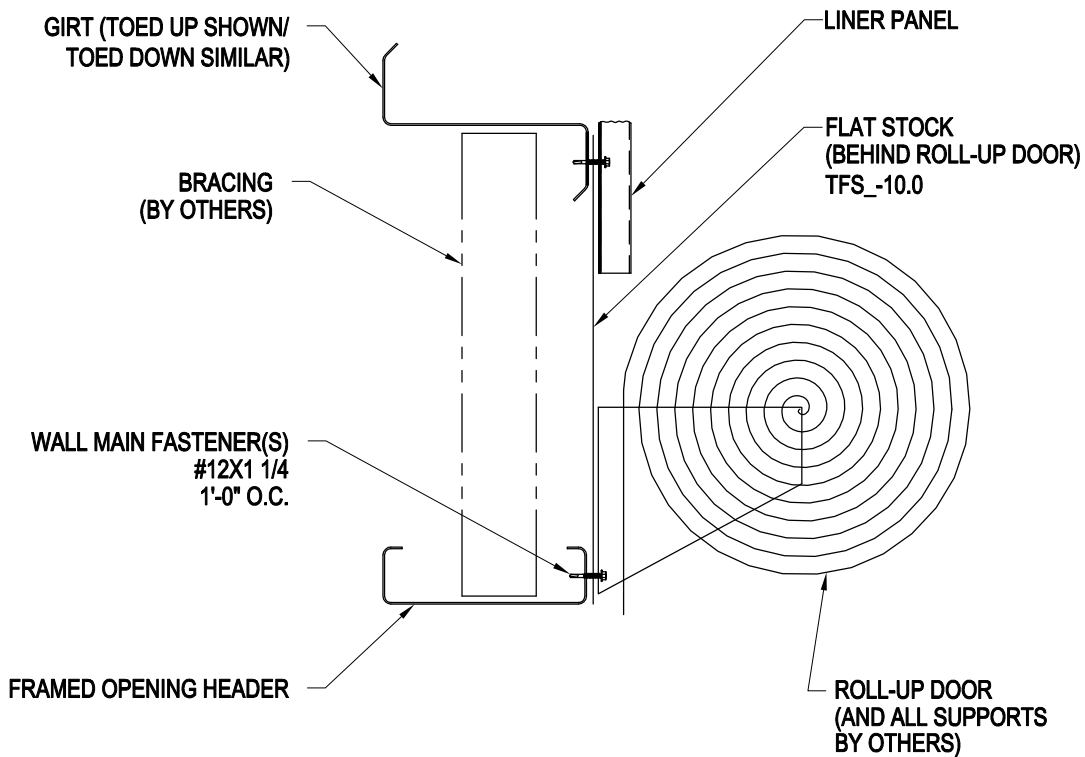
SECTION AT OVERHEAD DOOR HEADER W/LINER
ARCHITECTURAL III, LONG SPAN III, MULTI-RIB OR SOFFIT LINER LINER PANELS

LP53
AB

[Download the DWG file by clicking here.](#)

[To Section Index](#)

Section at Roll-Up Door Header w/ Liner
Architectural III, Long Span III, Multi-Rib or Soffit Liner Panels
LP54/AB



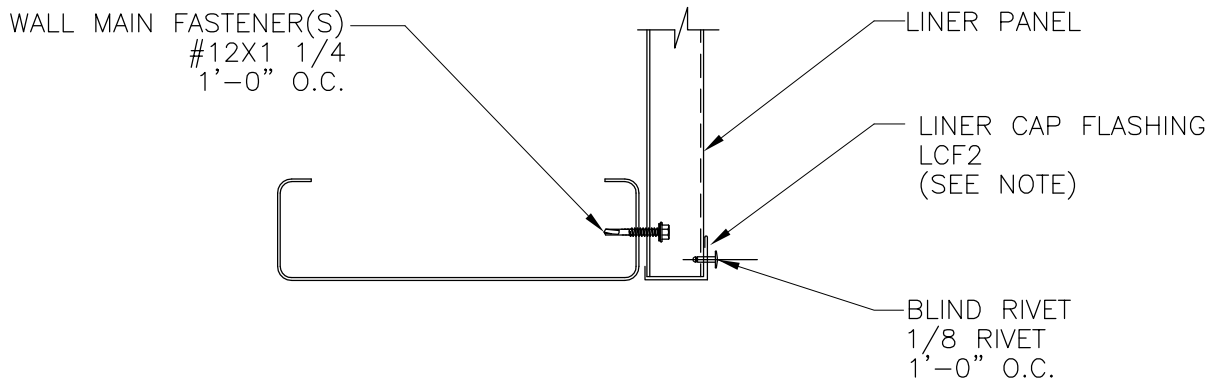
SECTION AT ROLL-UP DOOR HEADER W/LINER
ARCHITECTURAL III, LONG SPAN III, MULTI-RIB OR SOFFIT LINER LINER PANELS

LP54
AB

[Download the DWG file by clicking here.](#)

[To Section Index](#)

Section Through Partially Open Wall at Girt with Flush Panel
Architectural III, Long Span III, Multi-Rib or Soffit Liner Panels
LP55/AB



NOTE:
LCF1 REQUIRED AT MULTI-RIB
AND SOFFIT LINER PANELS

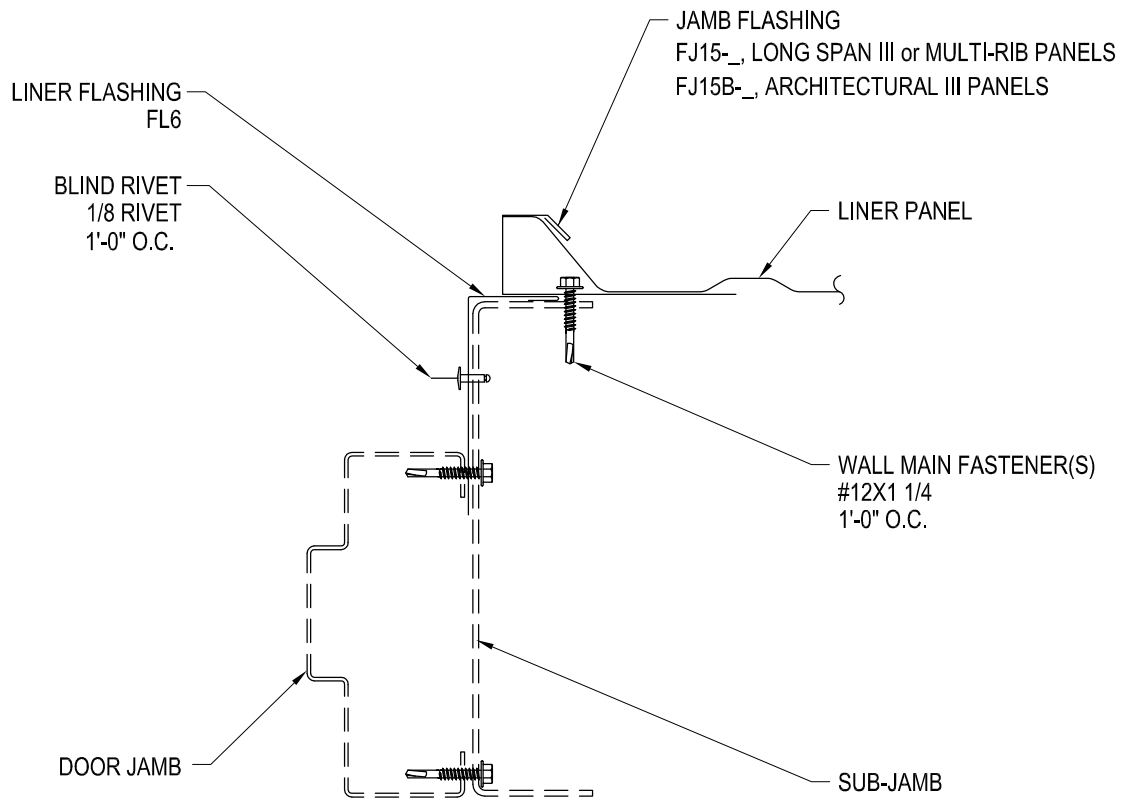
SECTION THROUGH PARTIALLY OPEN WALL AT GIRT WITH FLUSH PANEL
ARCHITECTURAL III, LONGSPAN III, MULTI-RIB OR SOFFIT LINER LINER PANELS

LP55
AB

[Download the DWG file by clicking here.](#)

[To Section Index](#)

Section at Personnel Door Jamb w/ Liner 8" Girts
Architectural III, Long Span III or Multi-Rib Liner Panels
LP61/AB



SECTION AT PERSONNEL DOOR JAMB W/LINER 8" GIRTS

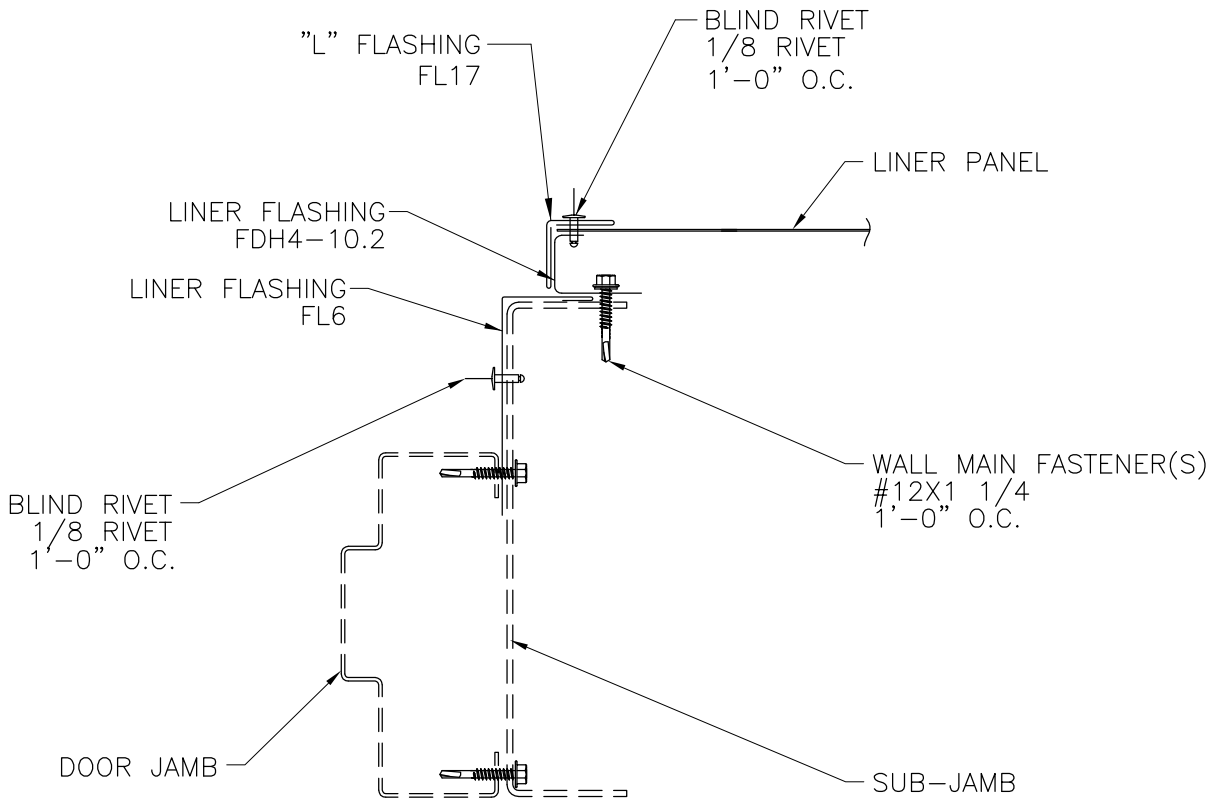
ARCHITECTURAL III, LONG SPAN III OR MULTI-RIB LINER PANELS

LP61
AB

[Download the DWG file by clicking here.](#)

[To Section Index](#)

Section at Personnel Door Jamb w/ Liner 8" Girts
Soffit Liner Panels
LP61B/AB



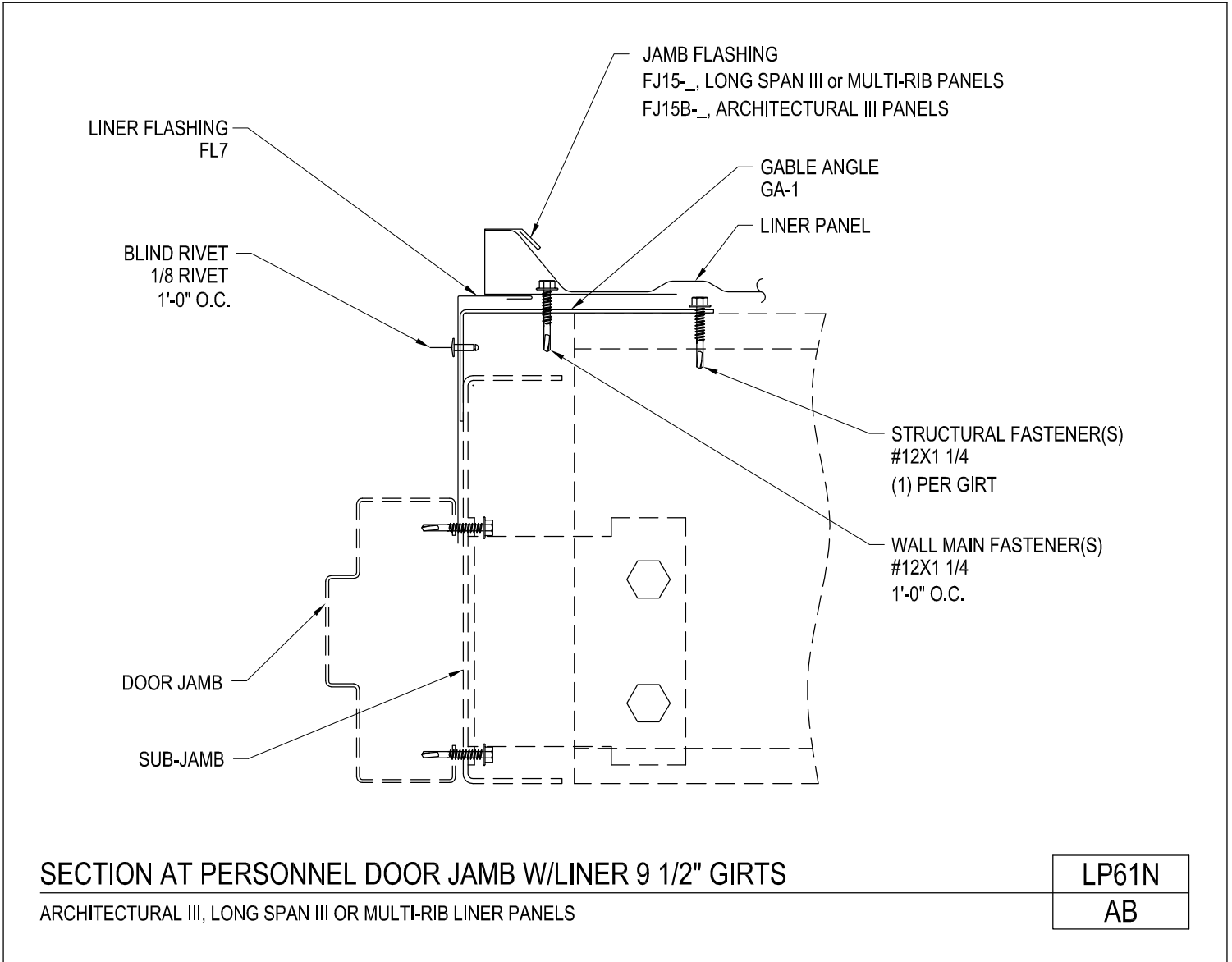
SECTION AT PERSONNEL DOOR JAMB W/LINER 8" GIRTS
SOFFIT LINER LINER PANELS

LP61B
AB

[Download the DWG file by clicking here.](#)

[To Section Index](#)

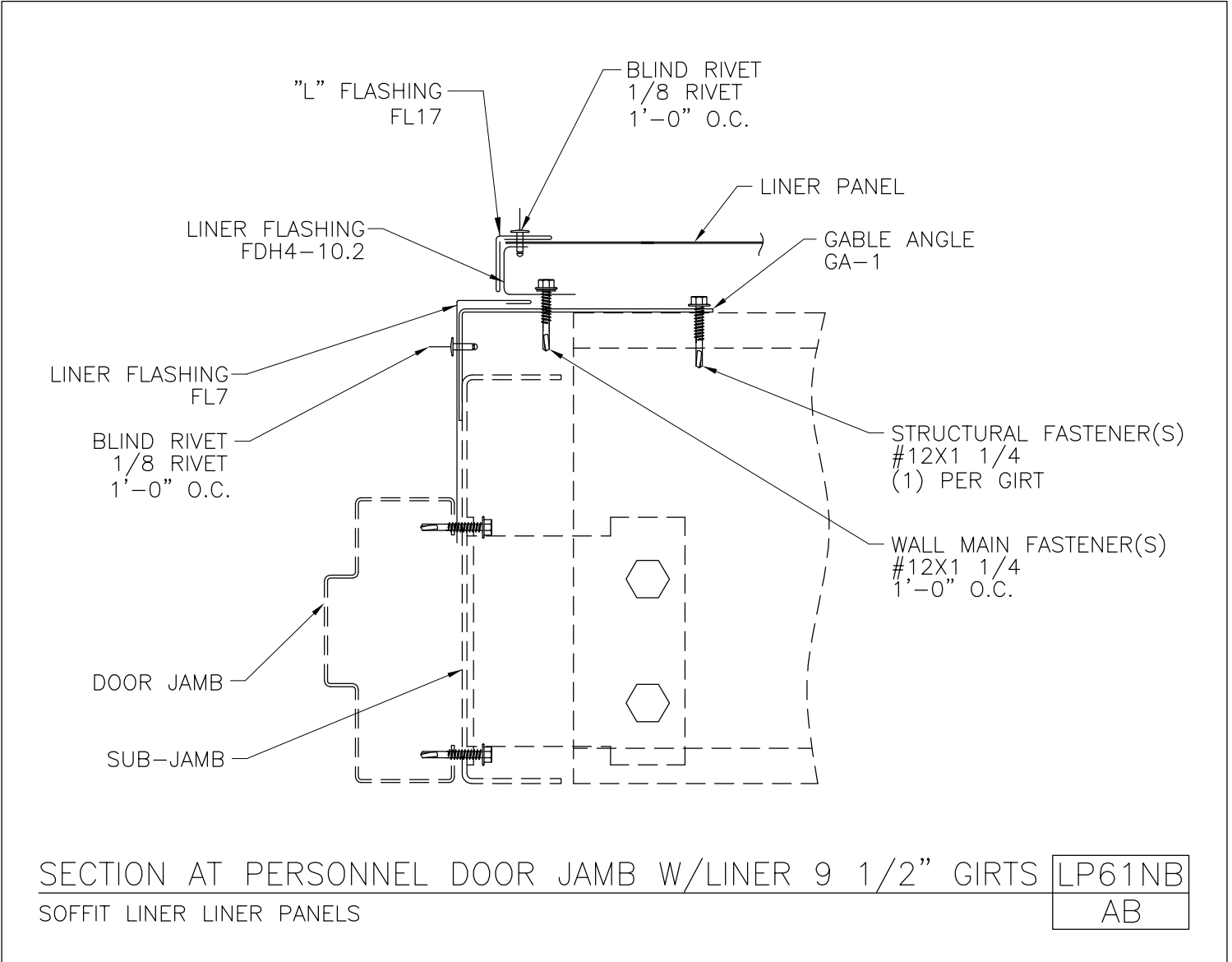
Section at Personnel Door Jamb w/ Liner 9 1/2" Girts
 Architectural III, Long Span III, or Multi-Rib Liner Panels
 LP61N/AB



[Download the DWG file by clicking here.](#)

[To Section Index](#)

Section at Personnel Door Jamb w/ Liner 9 1/2" Girts
Soffit Liner Panels
LP61NB/AB

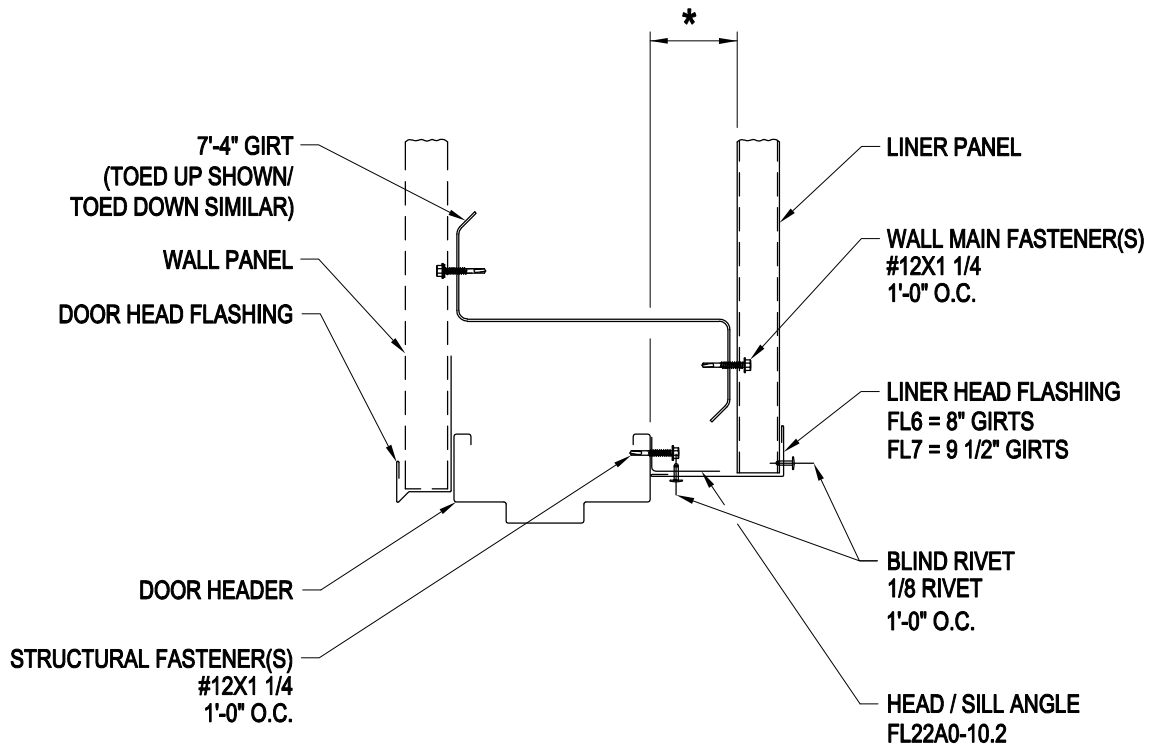


[Download the DWG file by clicking here.](#)

[To Section Index](#)

Section at Personnel Door Header w/ Liner
Architectural III or Long Span III Liner Panel
LP66/AB

* 2 1/4" = 8" GIRTS
3 3/4" = 9 1/2" GIRTS



SECTION AT PERSONNEL DOOR HEADER W/LINER

ARCHITECTURAL III OR LONG SPAN III LINER PANELS

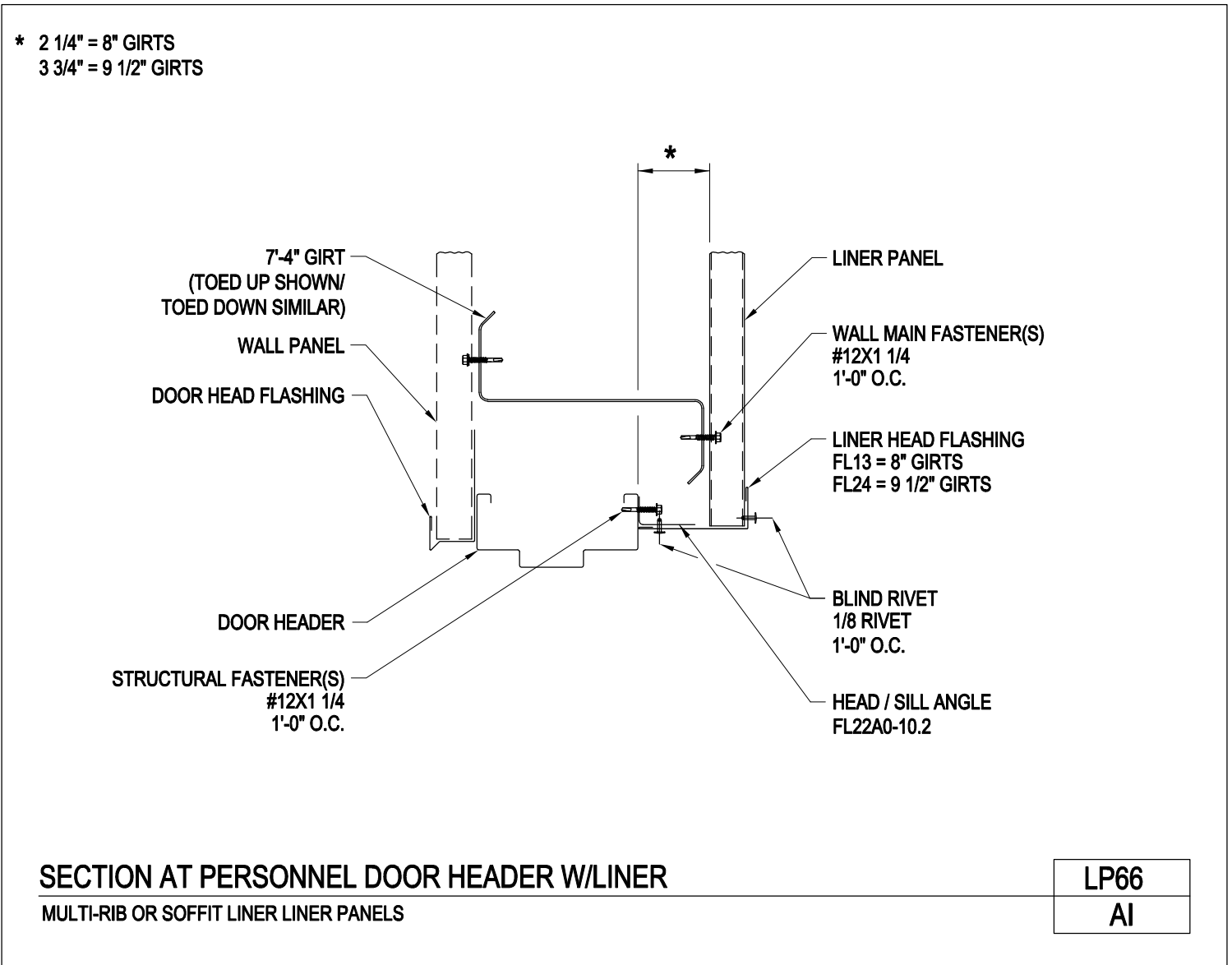
LP66

AB

[Download the DWG file by clicking here.](#)

[To Section Index](#)

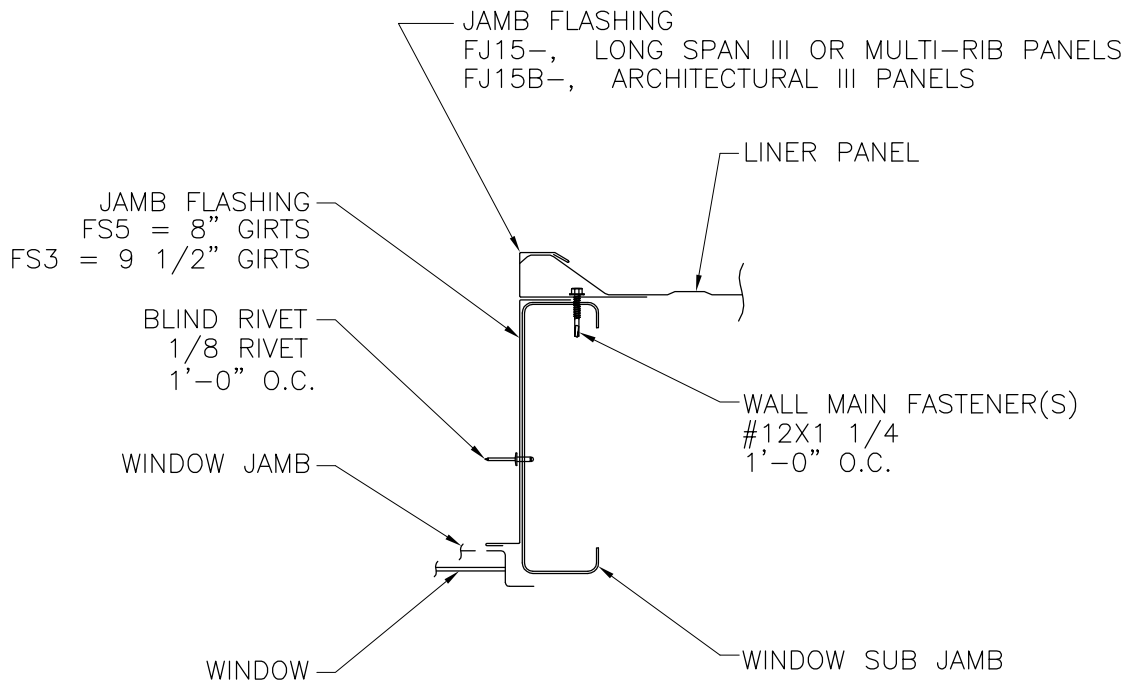
Section at Personnel Door Header w/ Liner
Multi-Rib or Soffit Liner Panels
LP66/AI



[Download the DWG file by clicking here.](#)

[To Section Index](#)

Section at Window Jamb w/ Liner
 Long Span III Liner Shown / Architectural III or Multi-Rib Liner Similar
 LP71/AB



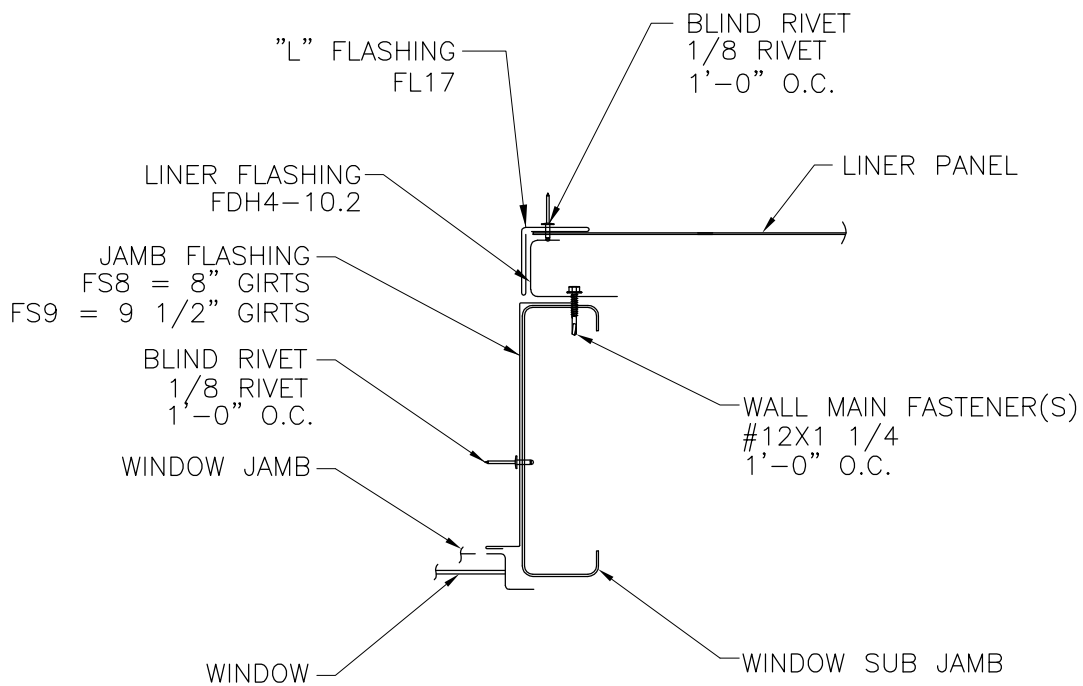
SECTION AT WINDOW JAMB W/LINER
 LONG SPAN III LINER SHOWN / ARCHITECTURAL III OR MULTI-RIB LINER SIMILAR

LP71
AB

[Download the DWG file by clicking here.](#)

[To Section Index](#)

Section at Window Jamb w/ Liner
Soffit Liner Panels
LP71B/AB



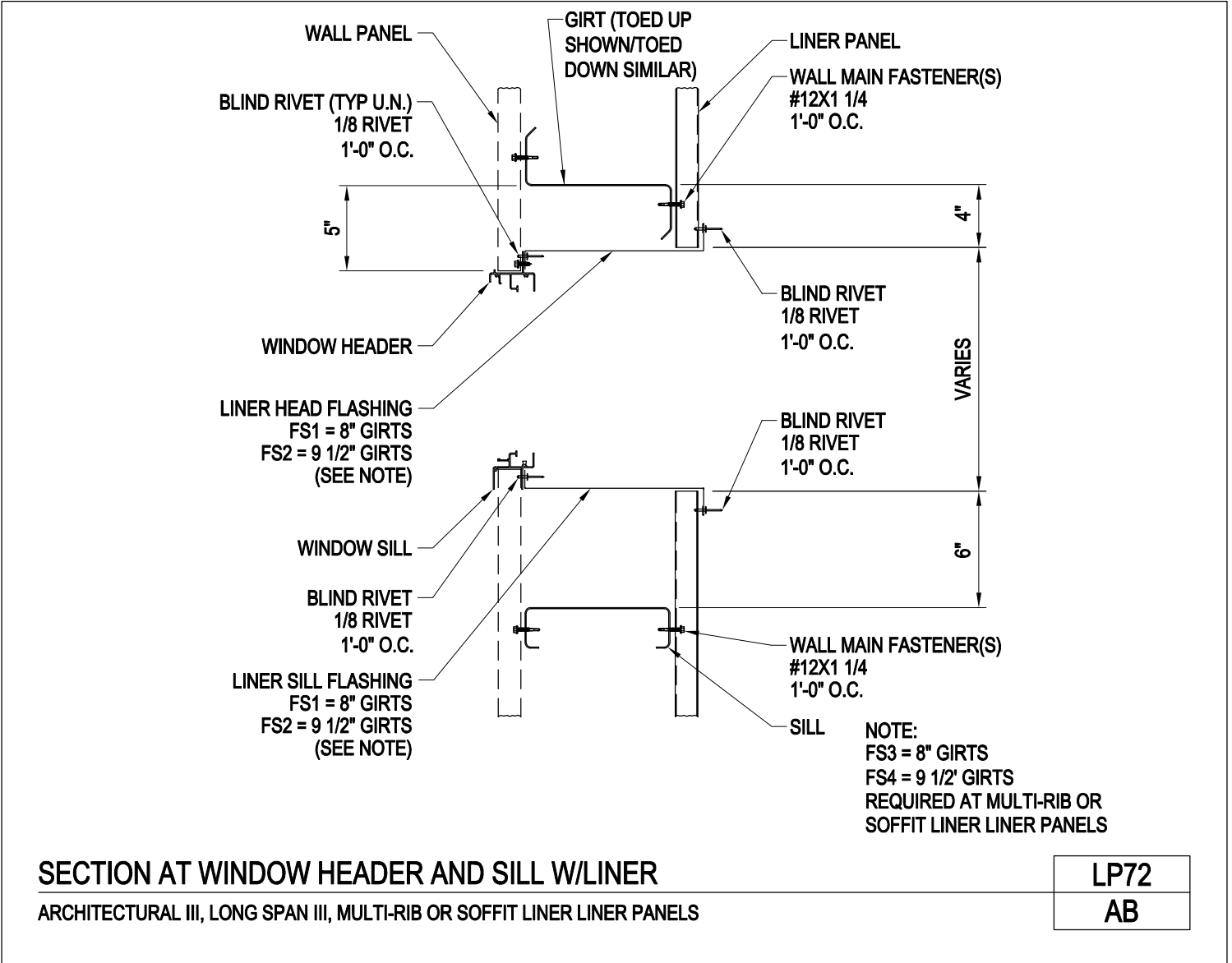
SECTION AT WINDOW JAMB W/LINER
SOFFIT LINER LINER PANELS

LP71B
AB

[Download the DWG file by clicking here.](#)

[To Section Index](#)

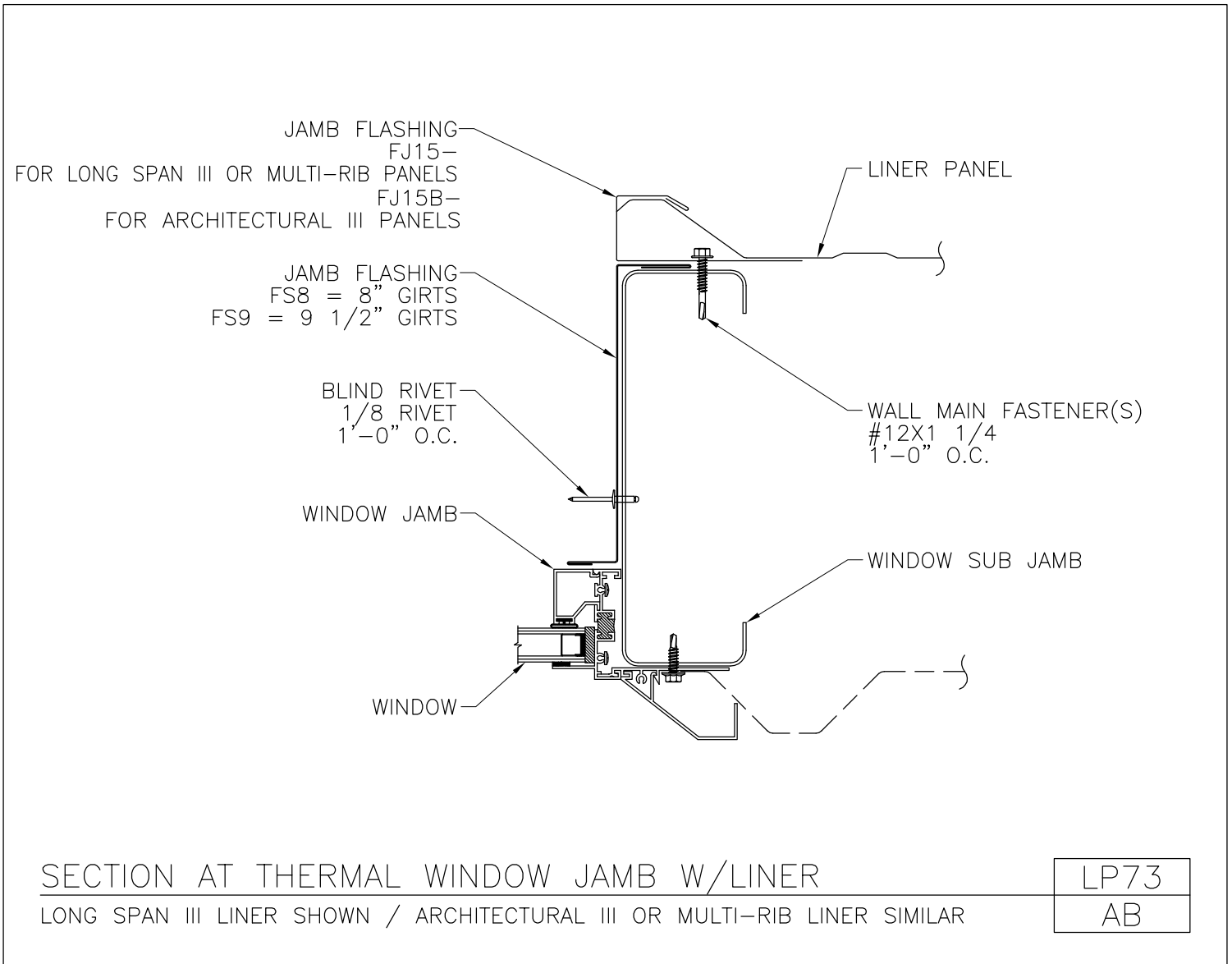
Section at Window Header and Sill w/ Liner
 Architectural III, Long Span III, Multi-Rib or Soffit Liner Panel
 LP72/AB



[Download the DWG file by clicking here.](#)

[To Section Index](#)

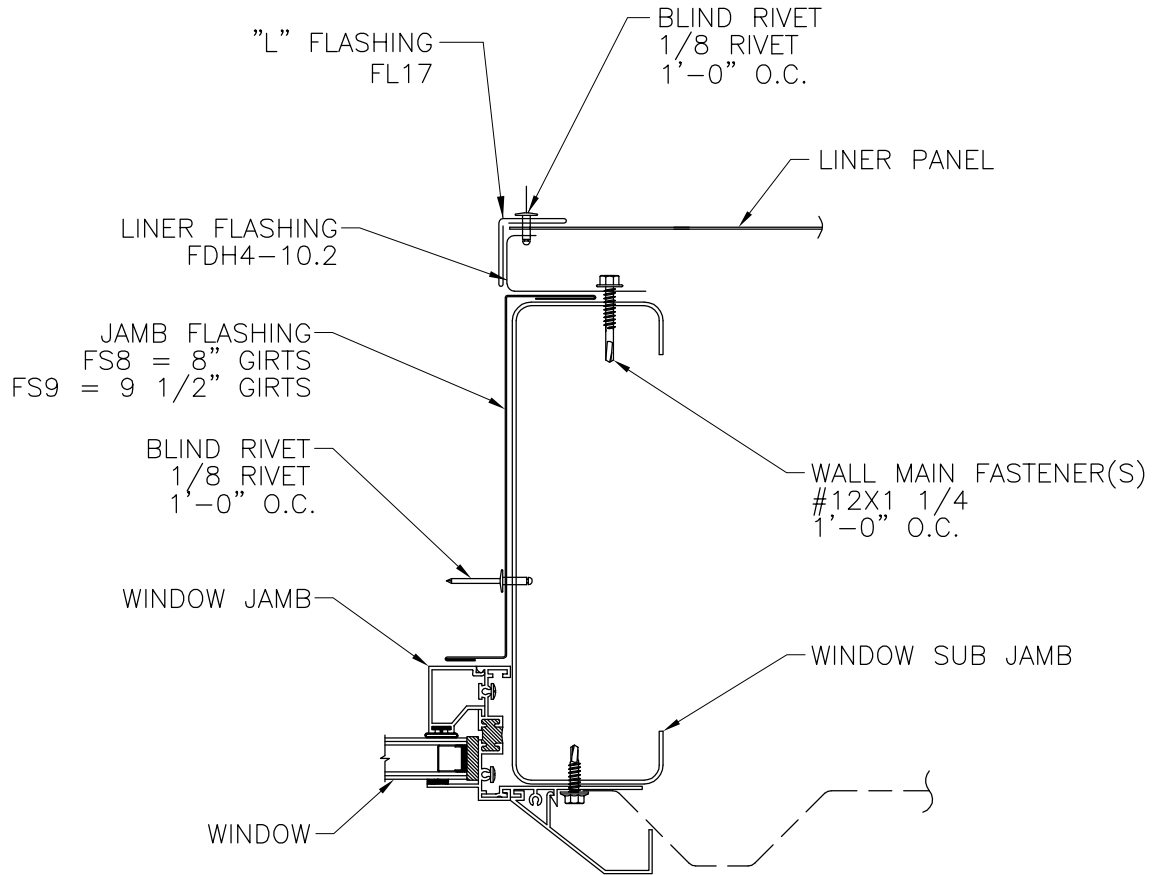
Section at Thermal Window Jamb w/ Liner
 Long Span III Liner Shown / Architectural III or Multi-Rib Liner Similar
 LP73/AB



[Download the DWG file by clicking here.](#)

[To Section Index](#)

Section at Thermal Window Jamb w/ Liner
Soffit Liner Panel
LP73B/AB



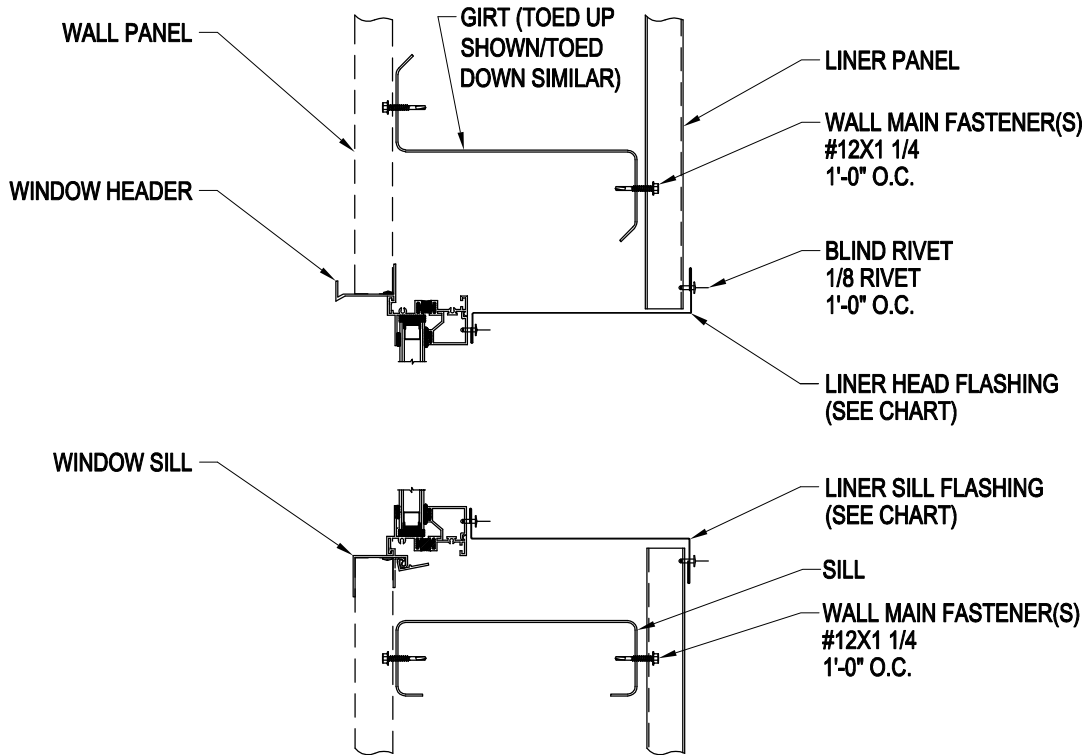
SECTION AT THERMAL WINDOW JAMB W/LINER
SOFFIT LINER LINER PANEL

LP73B
AB

[Download the DWG file by clicking here.](#)

[To Section Index](#)

Section at Personnel Door Header w/ Liner
 Architectural III, Long Span III, Multi-Rib or Soffit Liner Panels
 LP74/AB



LINER PANEL	LINER HEADER/SILL FLASHING	
	AT 8" GIRTS	AT 9 1/2" GIRTS
LONG SPAN III OR ARCHITECTURAL III	FS5	FS3
MULTI-RIB OR SOFFIT LINER	FS6	FS7

SECTION AT THERMAL WINDOW HEADER AND SILL W/LINER

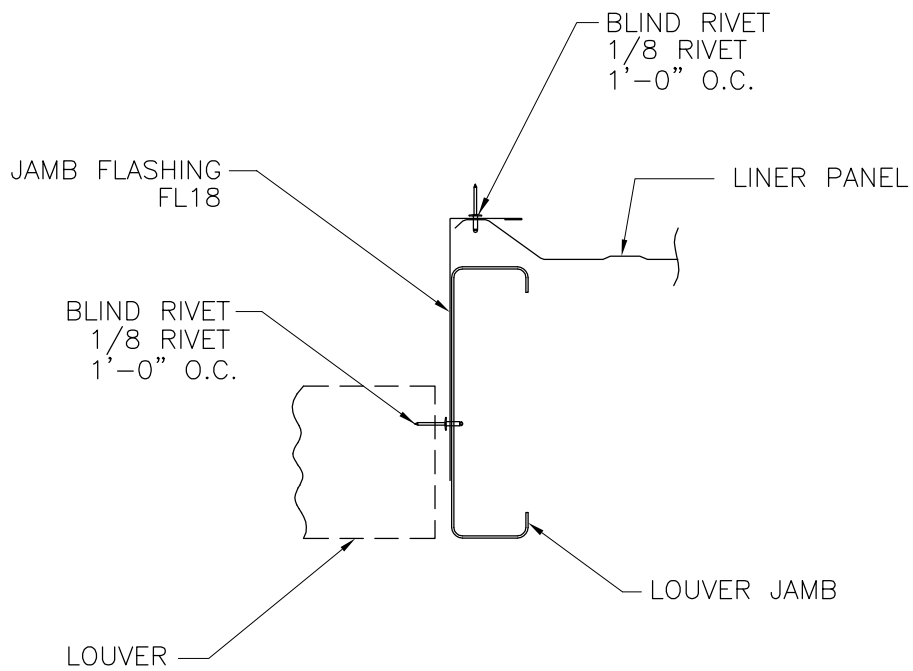
ARCHITECTURAL III, LONG SPAN III, MULTI-RIB OR SOFFIT LINER LINER PANELS

LP74
AB

[Download the DWG file by clicking here.](#)

[To Section Index](#)

Section at Louver Jamb w/ Liner
Long Span III Liner Shown / Architectural III or Multi-Rib Liner Similar
LP76/AB



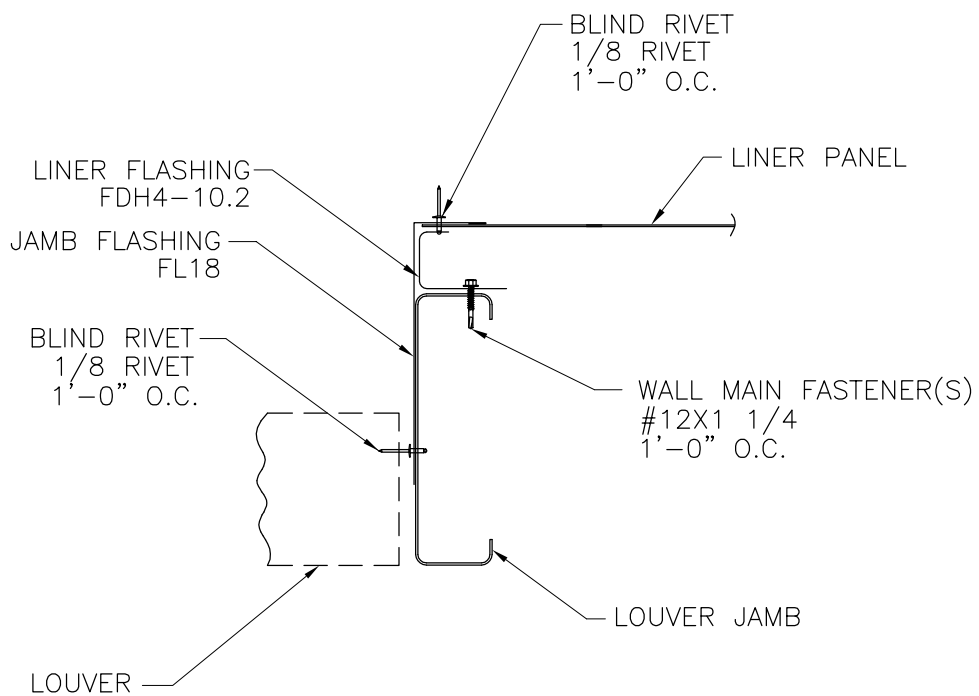
SECTION AT LOUVER JAMB W/LINER
LONG SPAN III LINER SHOWN / ARCHITECTURAL III OR MULTI-RIB LINER SIMILAR

LP76
AB

[Download the DWG file by clicking here.](#)

[To Section Index](#)

Section at Louver Jamb w/ Liner
Soffit Liner Panel
LP76B/AB



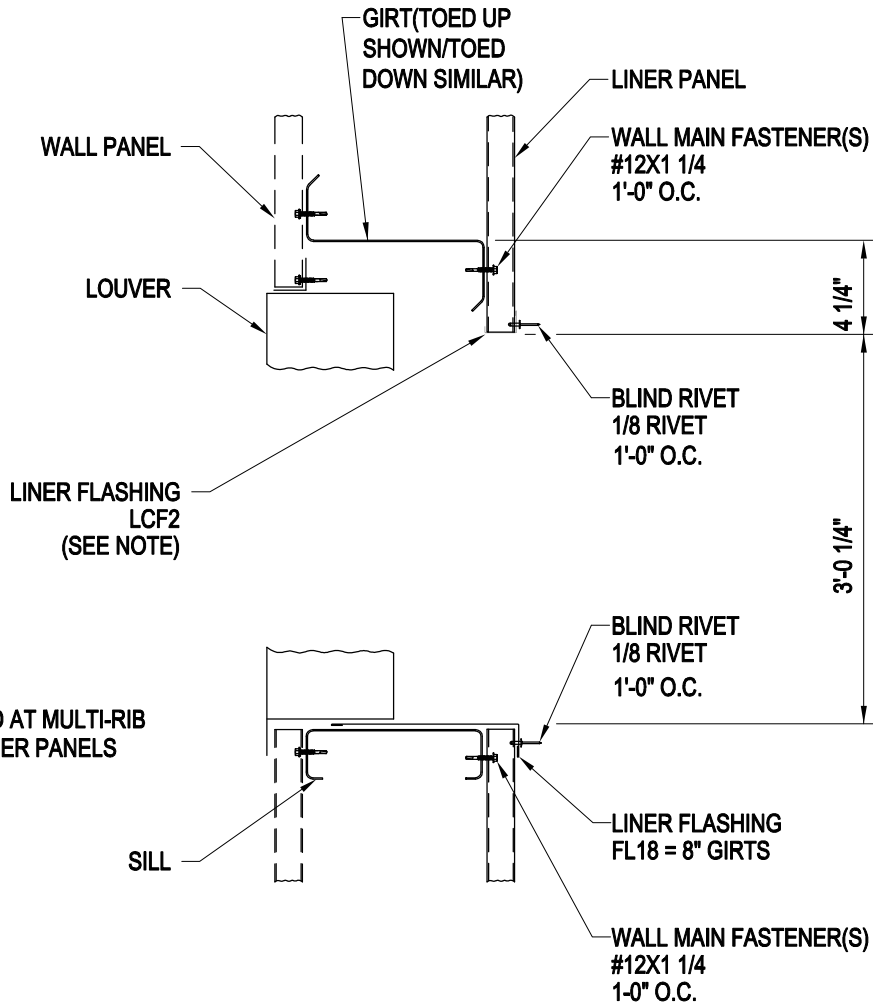
SECTION AT LOUVER JAMB W/LINER
SOFFIT LINER LINER PANEL

LP76B
AB

[Download the DWG file by clicking here.](#)

[To Section Index](#)

Section at Louver Head and Sill w/ Liner
 Architectural III, Long Span III, Multi-Rib or Soffit Liner Panels
 LP77/AB



SECTION AT LOUVER HEAD AND SILL W/LINER

ARCHITECTURAL III, LONG SPAN III, MULTI-RIB OR SOFFIT LINER LINER PANELS

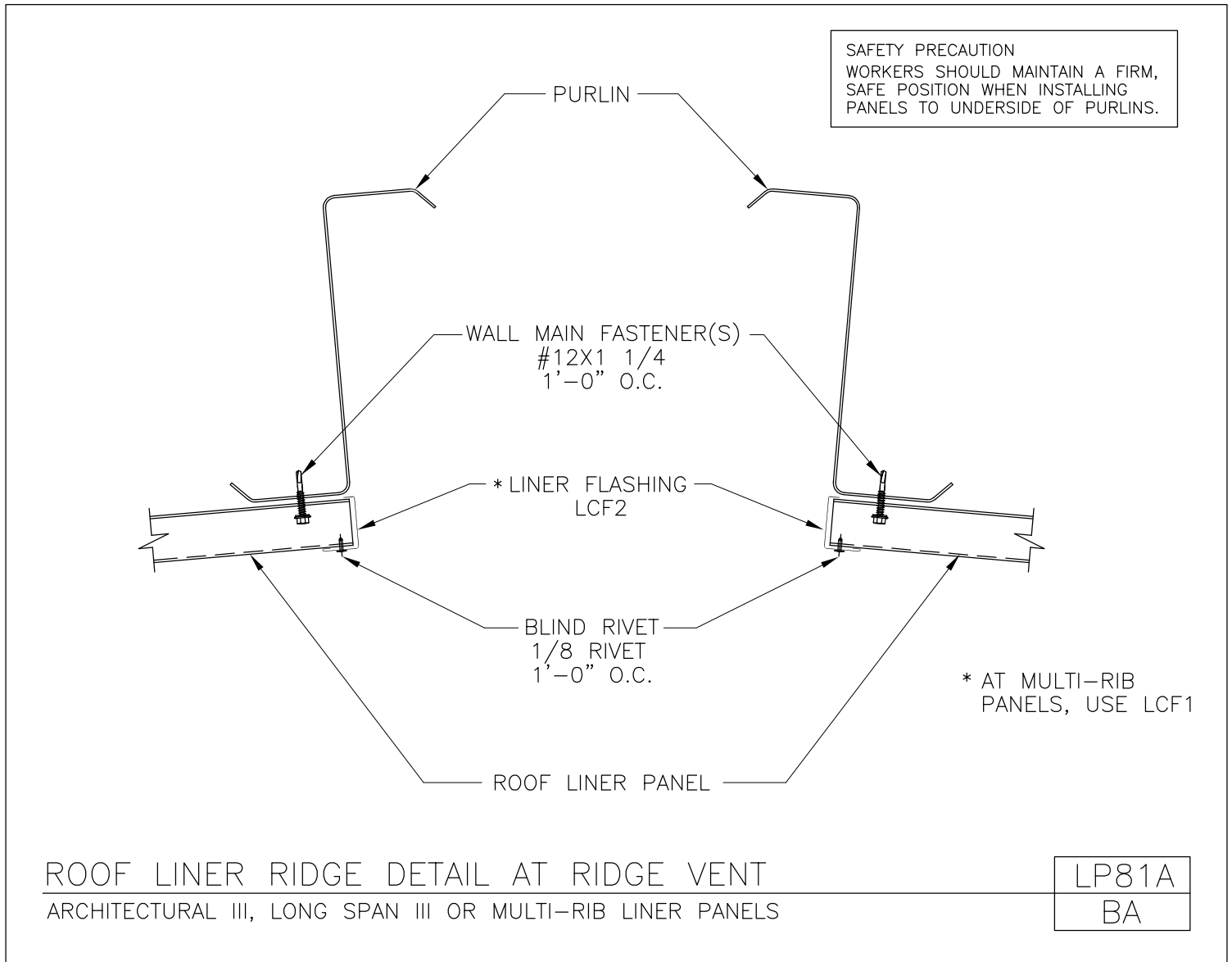
LP77

AB

[Download the DWG file by clicking here.](#)

[To Section Index](#)

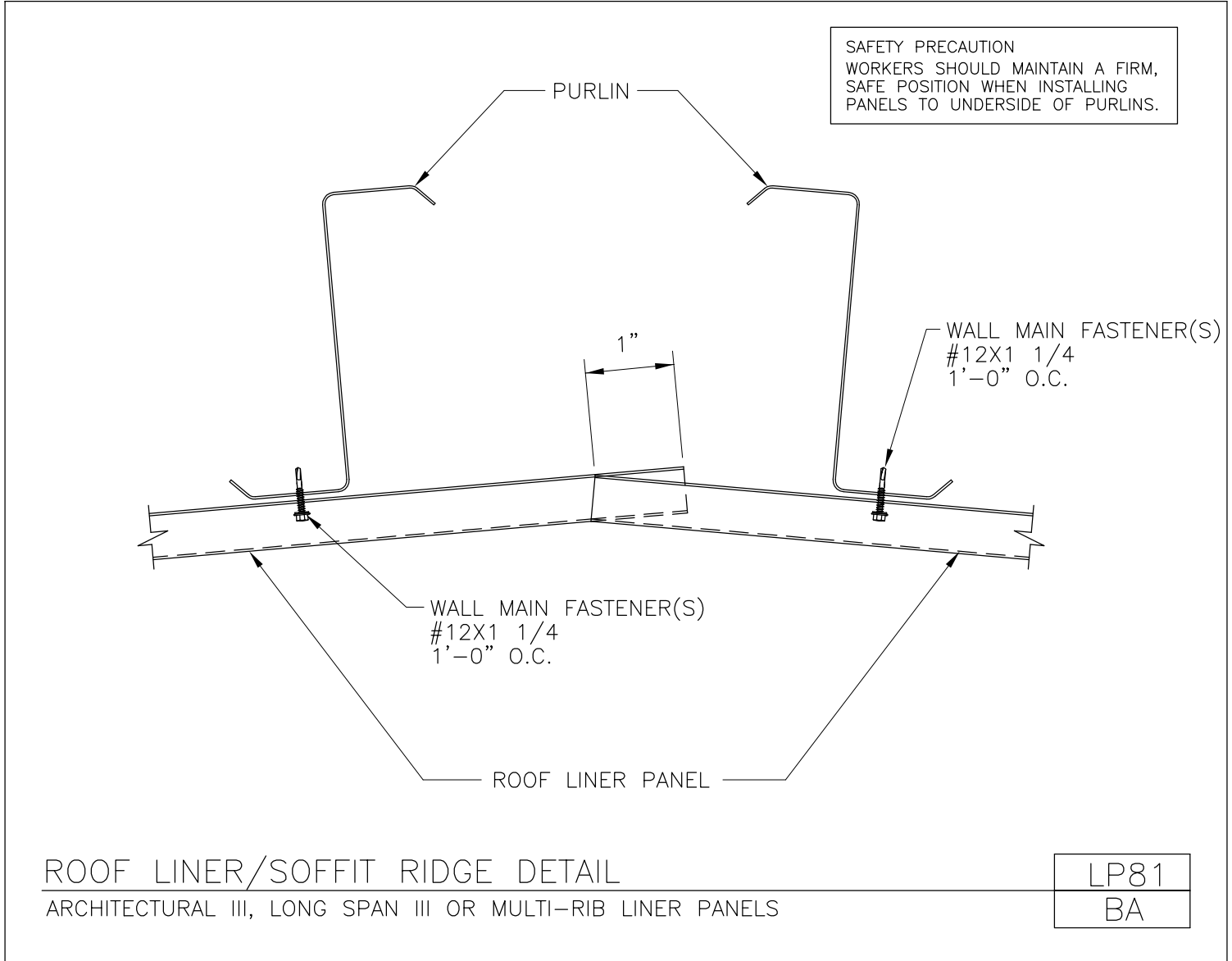
Roof Liner Ridge Detail at Ridge Vent
Architectural III, Long Span III or Multi-Rib Liner Panels
LP81A/BA



[Download the DWG file by clicking here.](#)

[To Section Index](#)

Roof Liner/Soffit Ridge Detail
Architectural III, Long Span III or Multi-Rib Liner Panels
LP81/BA



ROOF LINER/SOFFIT RIDGE DETAIL
ARCHITECTURAL III, LONG SPAN III OR MULTI-RIB LINER PANELS

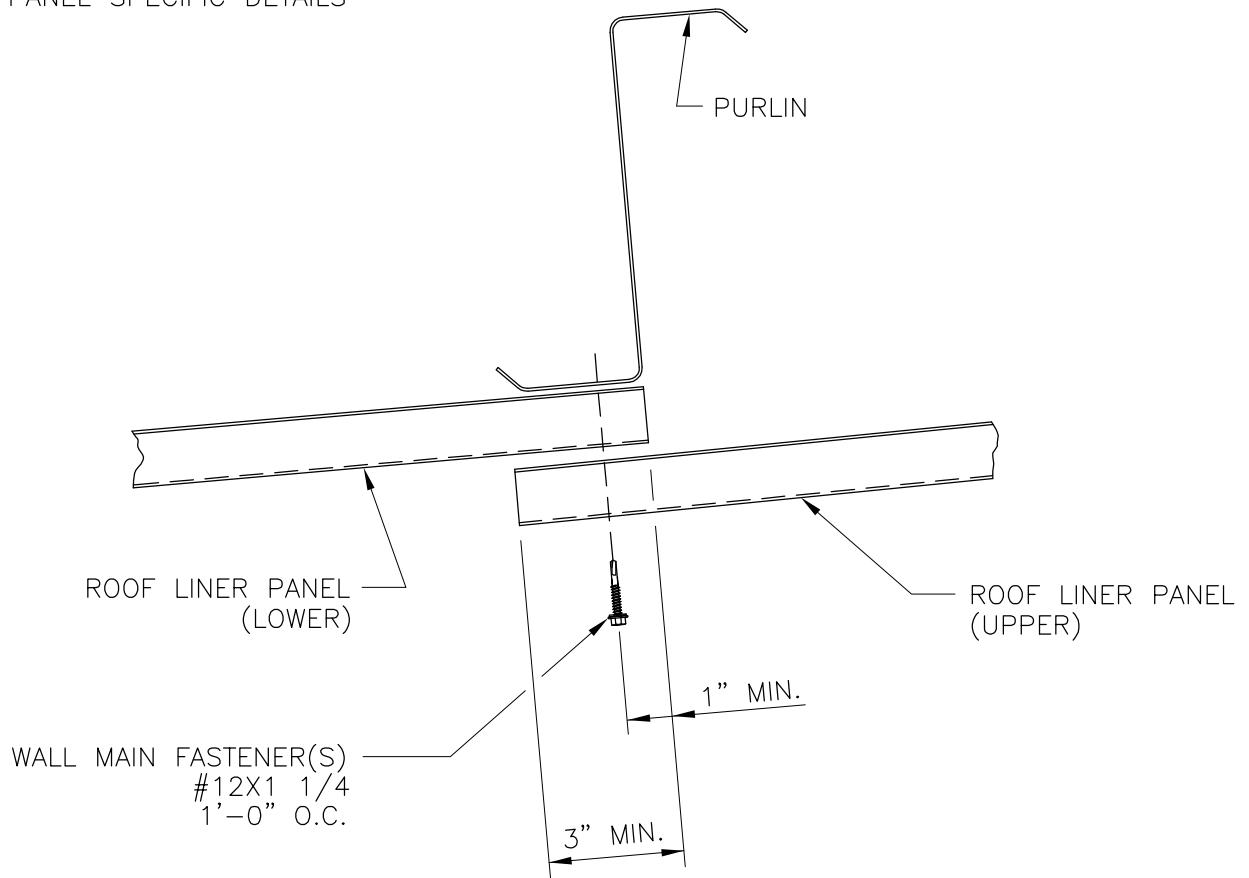
LP81
BA

[Download the DWG file by clicking here.](#)

[To Section Index](#)

Roof Liner / Soffit Lap Detail
 Long Span III, Architectural III or Multi-Rib Liner Panels
 LP82/BA

NOTE: ROOF PANEL NOT SHOWN FOR CLARITY
 SEE PANEL SPECIFIC DETAILS



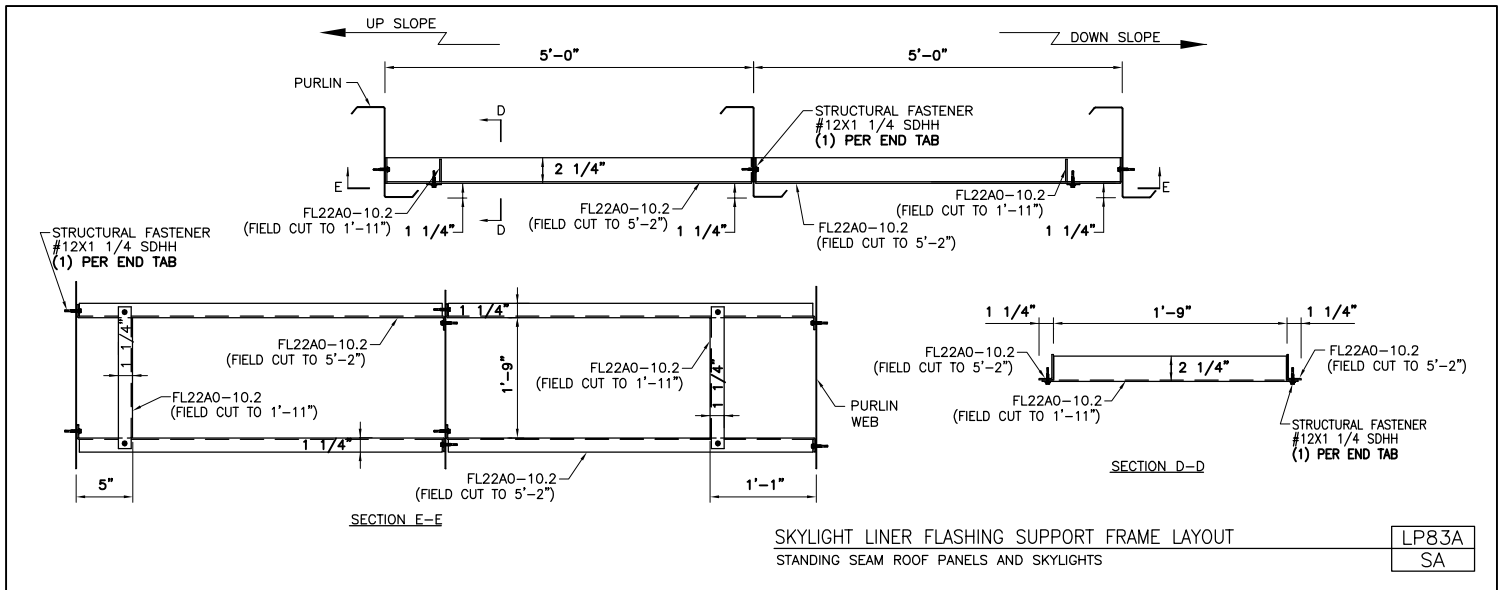
ROOF LINER/SOFFIT LAP DETAIL
 LONG SPAN III, ARCHITECTURAL III OR MULTI-RIB LINER PANELS

LP82
BA

[Download the DWG file by clicking here.](#)

[To Section Index](#)

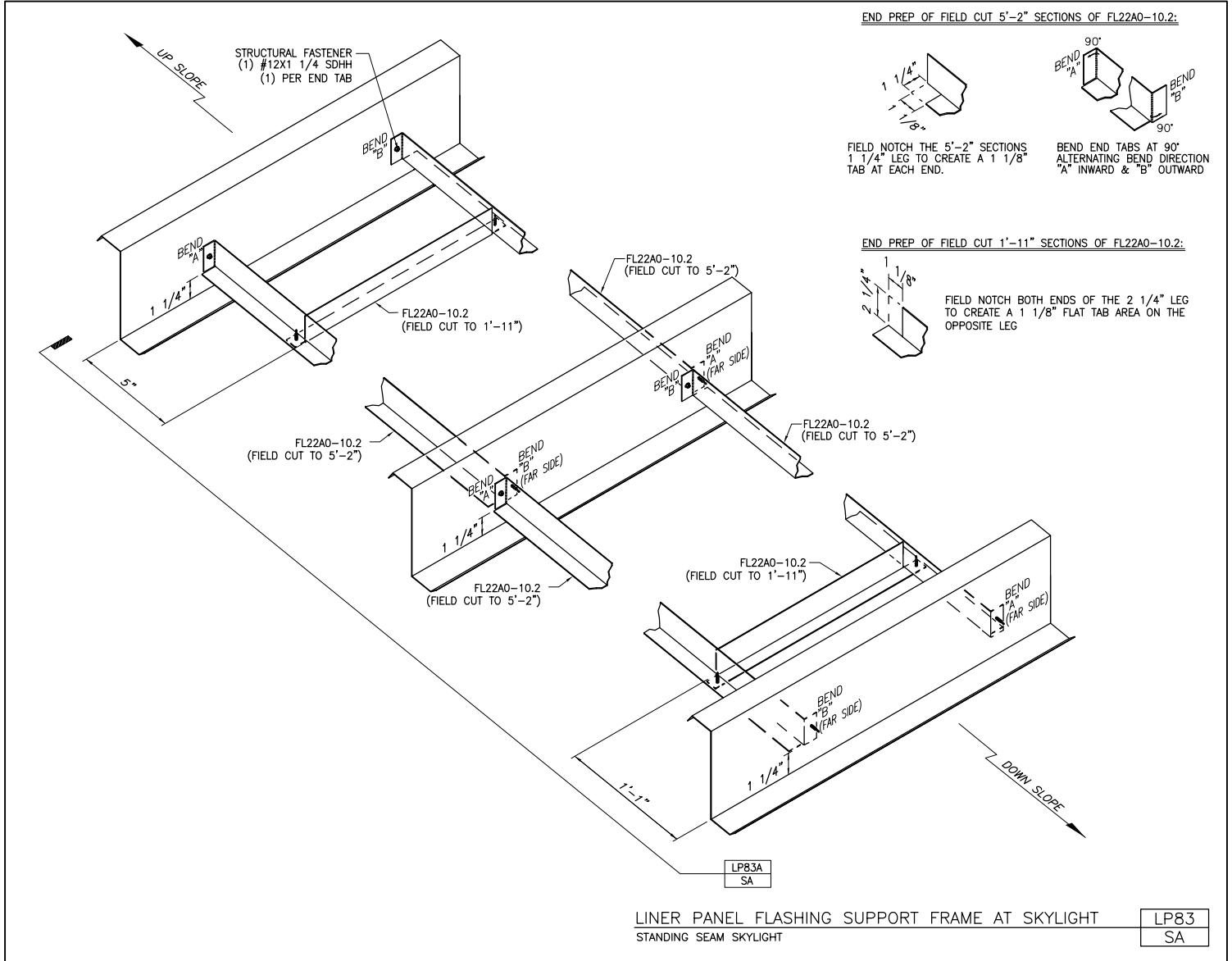
Skylight Liner Flashing Support Frame Layout
Standing Seam Roof Panels and Skylights
LP83A/SA



[Download the DWG file by clicking here.](#)

[To Section Index](#)

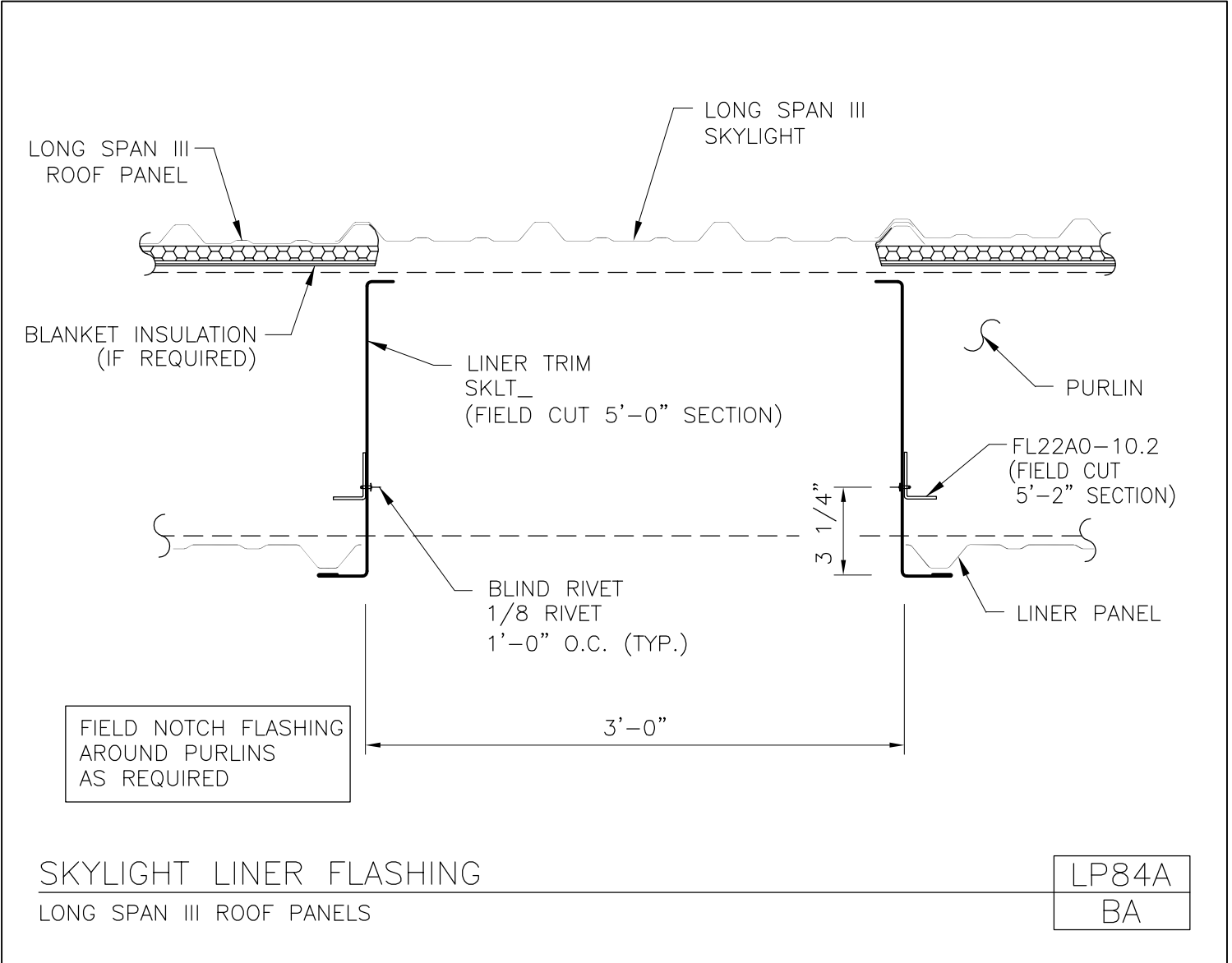
Liner Panel Flashing Support Frame at Skylight
 Standing Seam Skylight
 LP83/SA



[Download the DWG file by clicking here.](#)

[To Section Index](#)

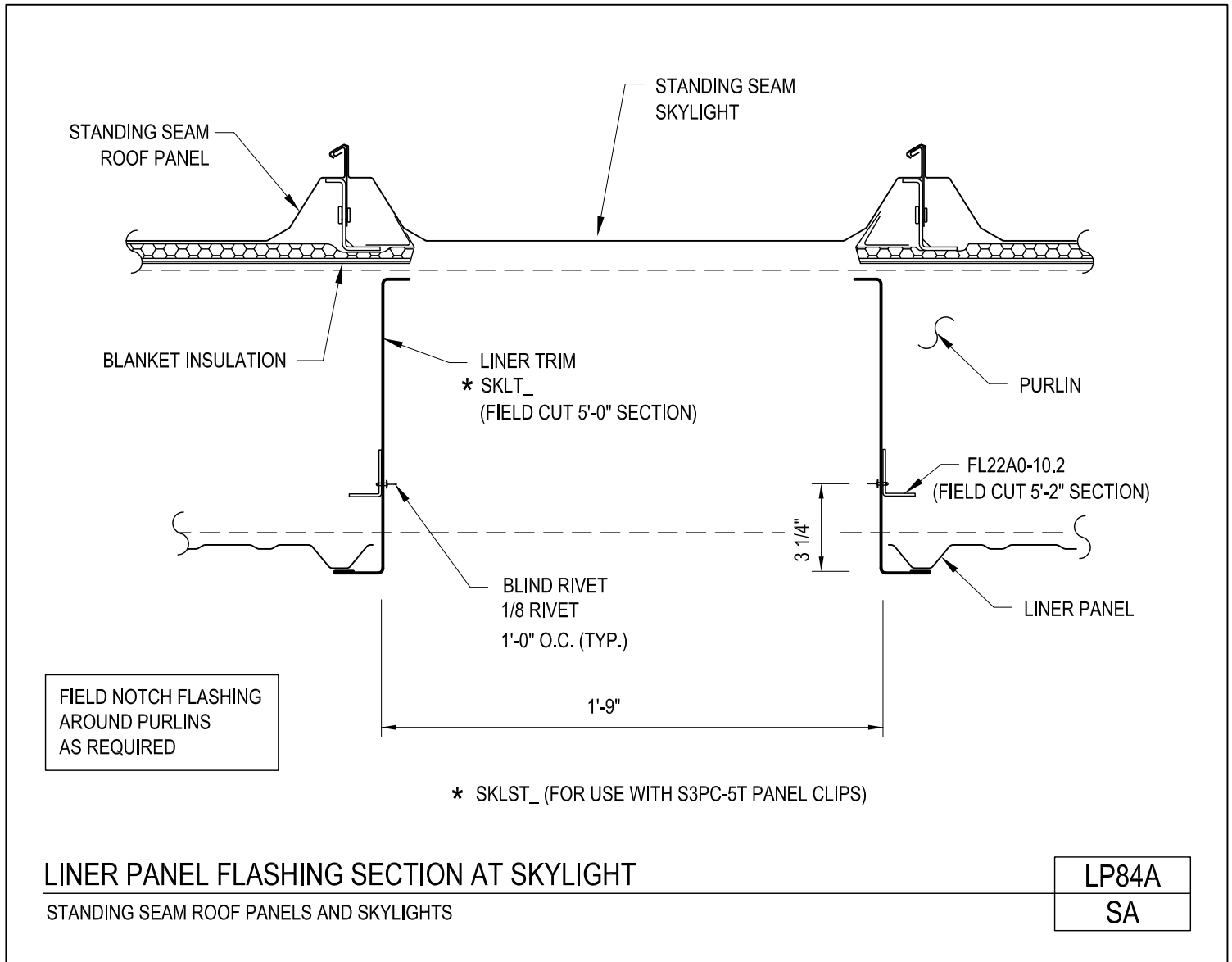
Skylight Liner Flashing
 Long Span III Roof Panels
 LP84A/BA



[Download the DWG file by clicking here.](#)

[To Section Index](#)

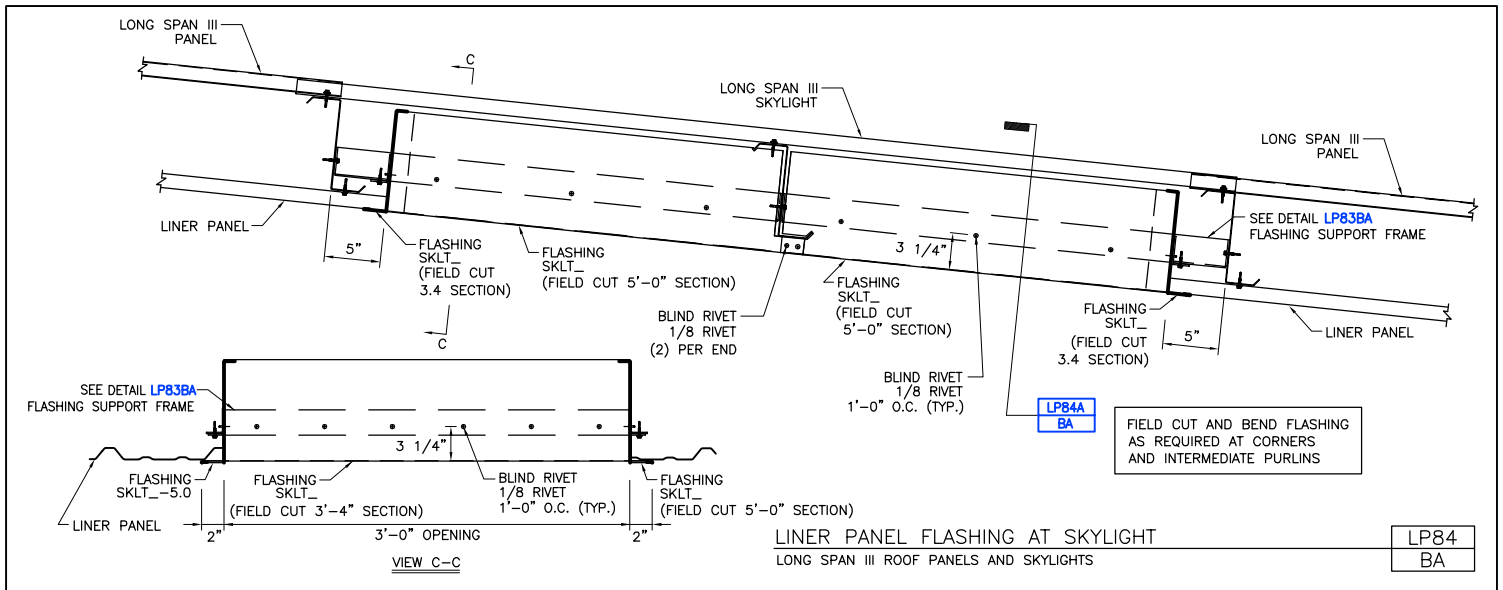
Liner Panel Flashing Section at Skylight
Standing Seam Roof Panels and Skylights
LP84A/SA



[Download the DWG file by clicking here.](#)

[To Section Index](#)

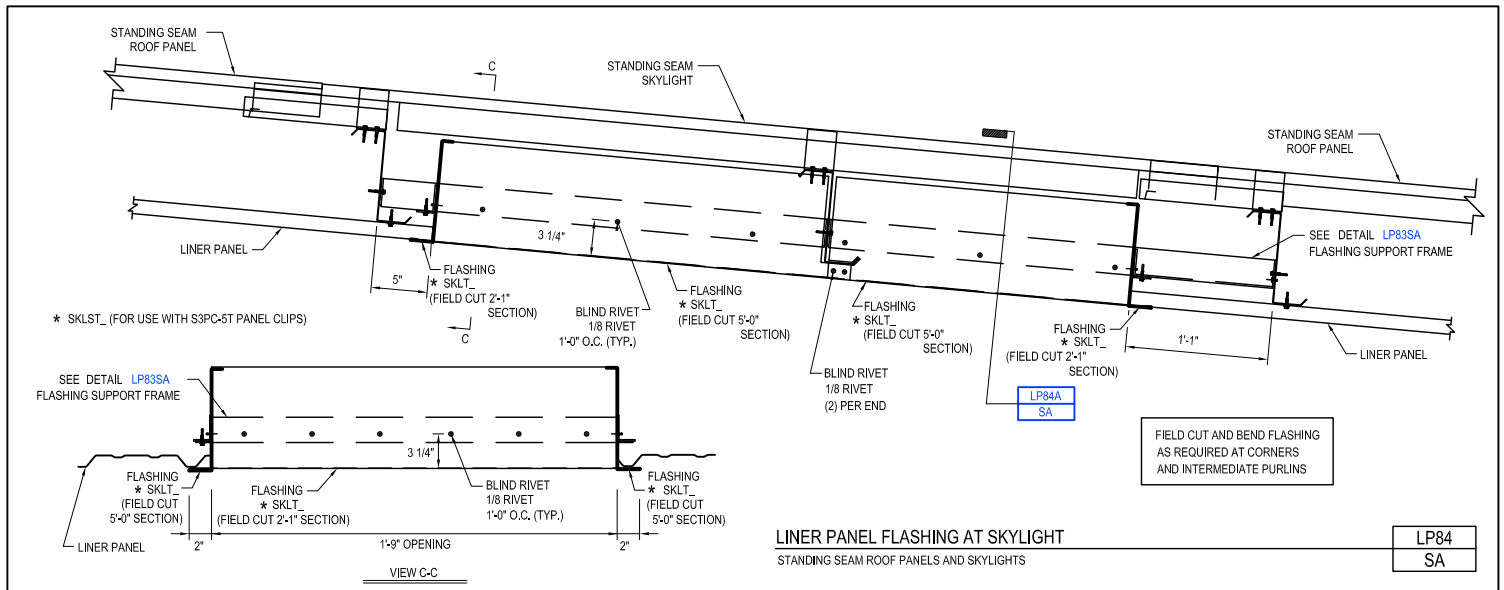
Liner Panel Flashing at Skylight
 Long Span III Roof Panels and Skylights
 LP84/BA



[Download the DWG file by clicking here.](#)

[To Section Index](#)

Liner Panel Flashing at Skylight
Standing Seam Roof Panels and Skylights
LP84/SA



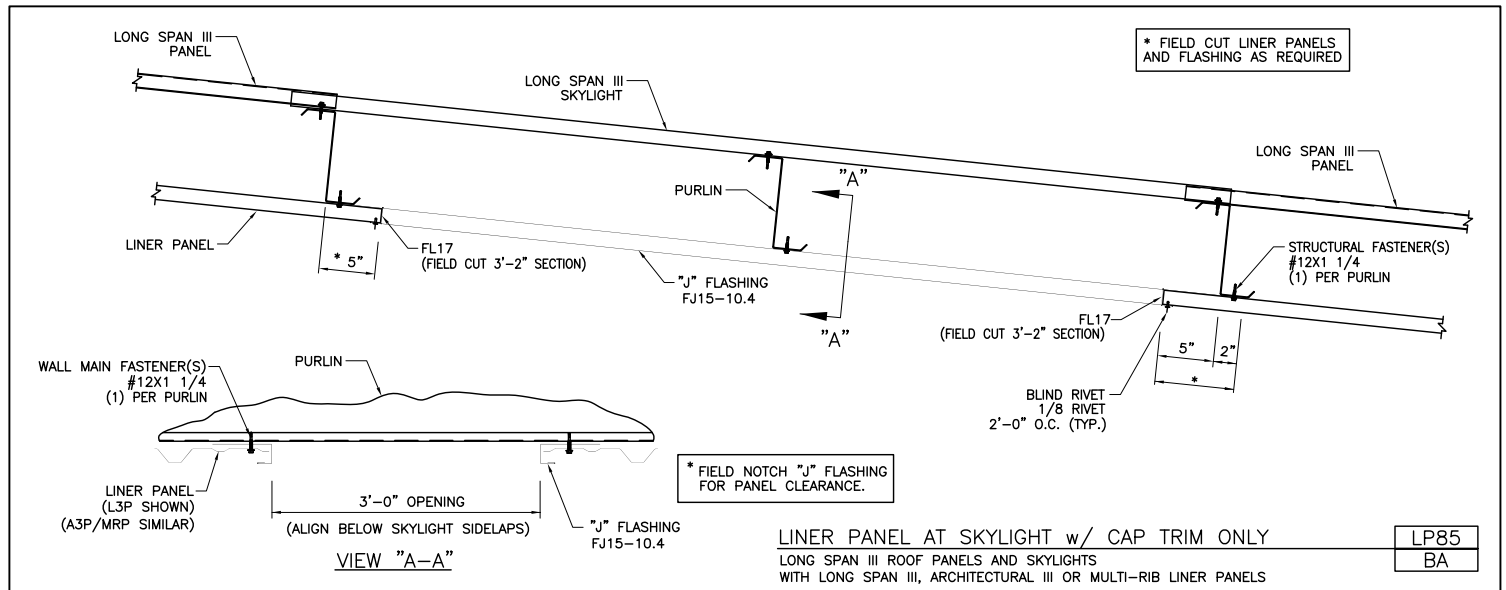
[Download the DWG file by clicking here.](#)

[To Section Index](#)

Liner Panel at Skylight w/ Cap Trim Only

Long Span III Roof Panels and Skylights - with Long Span III, Architectural III or Multi-Rib Liner Panels

LP85/BA



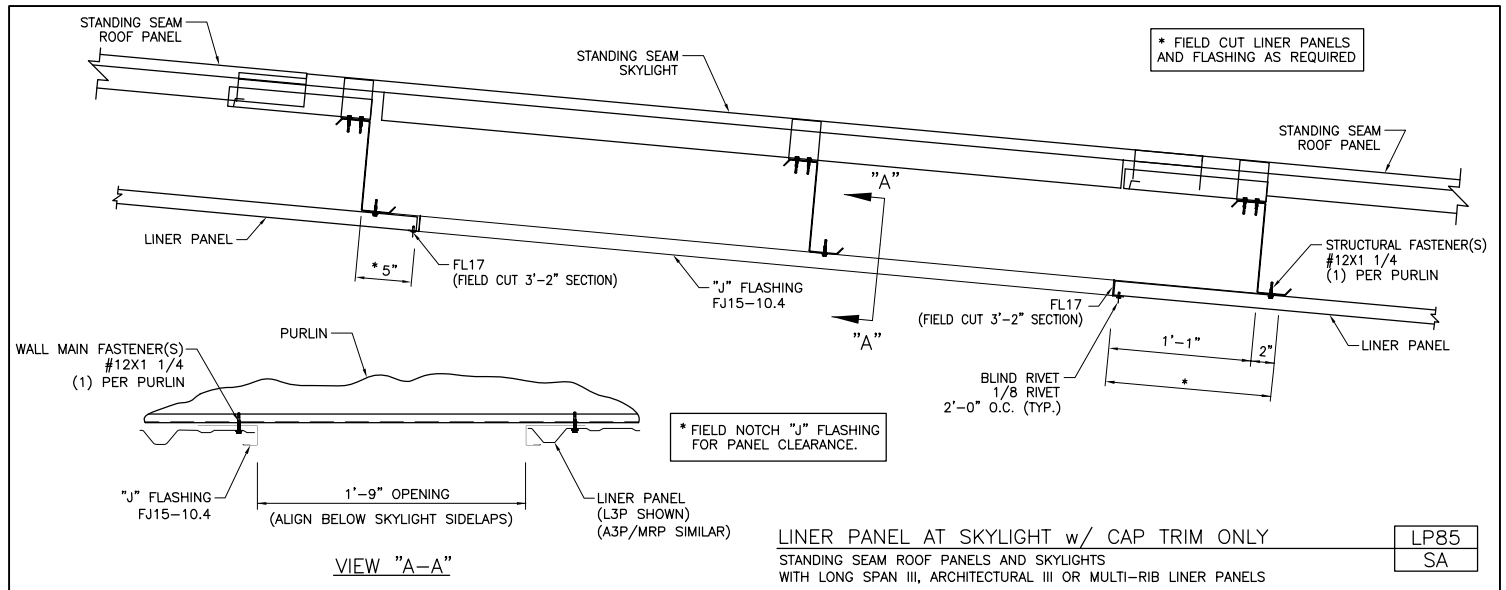
[Download the DWG file by clicking here.](#)

[To Section Index](#)

Liner Panel at Skylight w/ Cap Trim

Standing Seam Roof Panels and Skylights - With Long Span III, Architectural III or Multi-Rib Liner Panels

LP85/SA

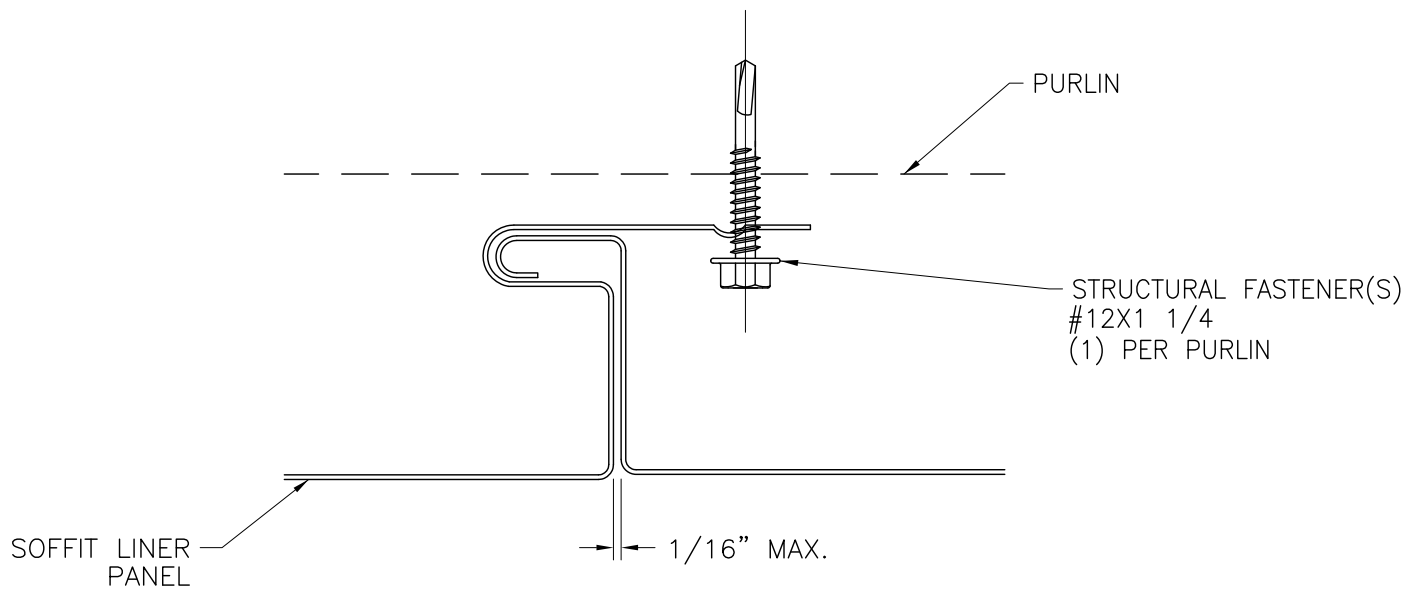


[Download the DWG file by clicking here.](#)

[To Section Index](#)

Soffit Liner Panel Joint
Soffit Liner Panels
LP86A/JA

NOTE : FULLY SEATED PANEL
JOINT MAINTAIN 1/16" MAXIMUM
GAP BETWEEN PANELS



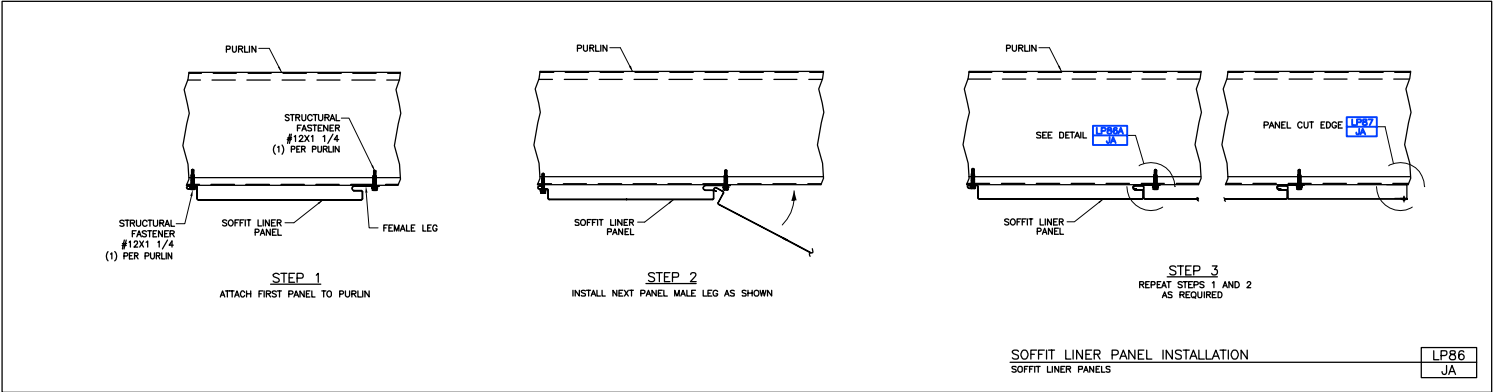
SOFFIT LINER PANEL JOINT
SOFFIT LINER PANELS

LP86A
JA

[Download the DWG file by clicking here.](#)

[To Section Index](#)

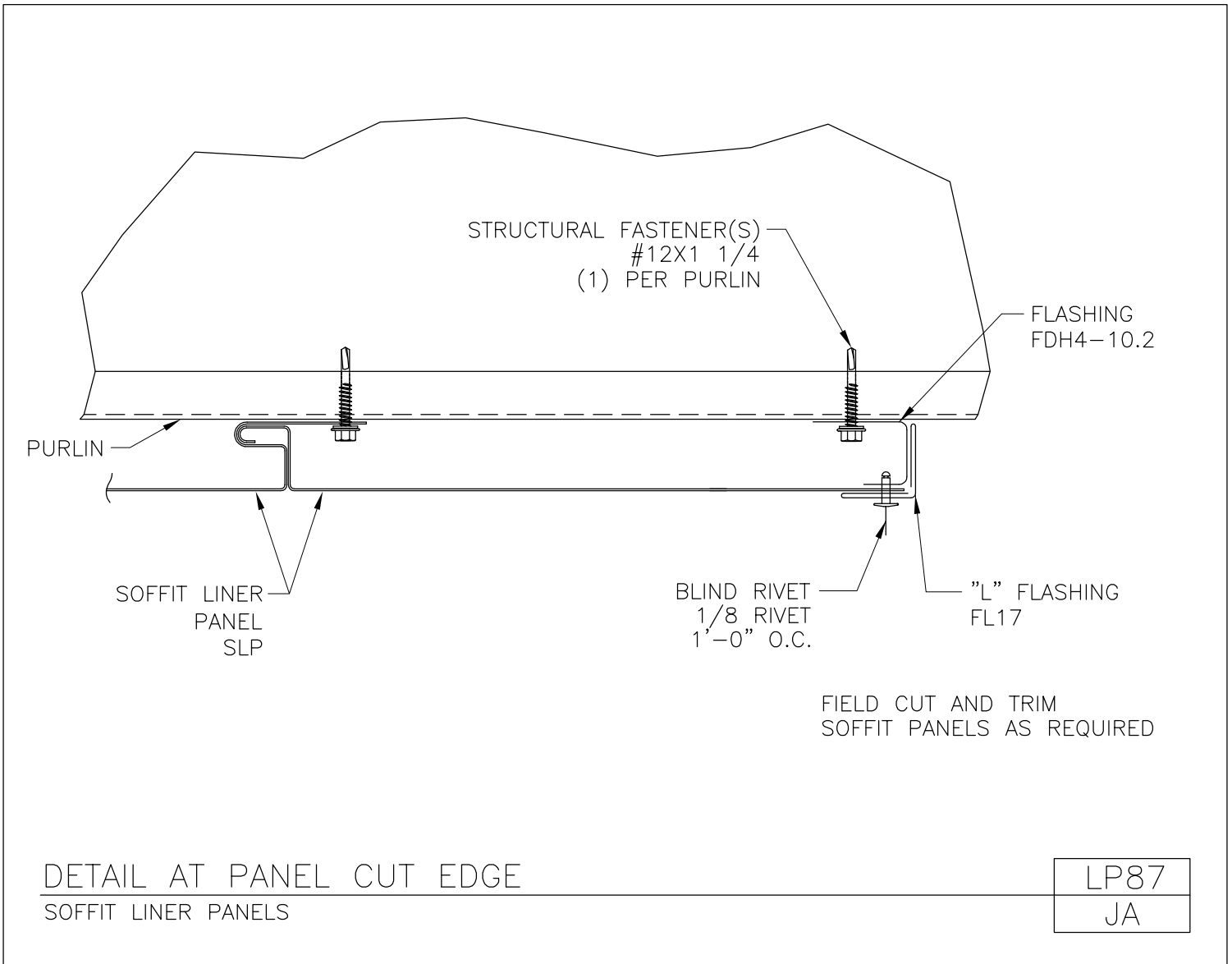
Soffit Liner Panel Installation
Soffit Liner Panels
LP86/JA



[Download the DWG file by clicking here.](#)

[To Section Index](#)

Detail at Panel Cut Edge
Soffit Liner Panels
LP87/JA



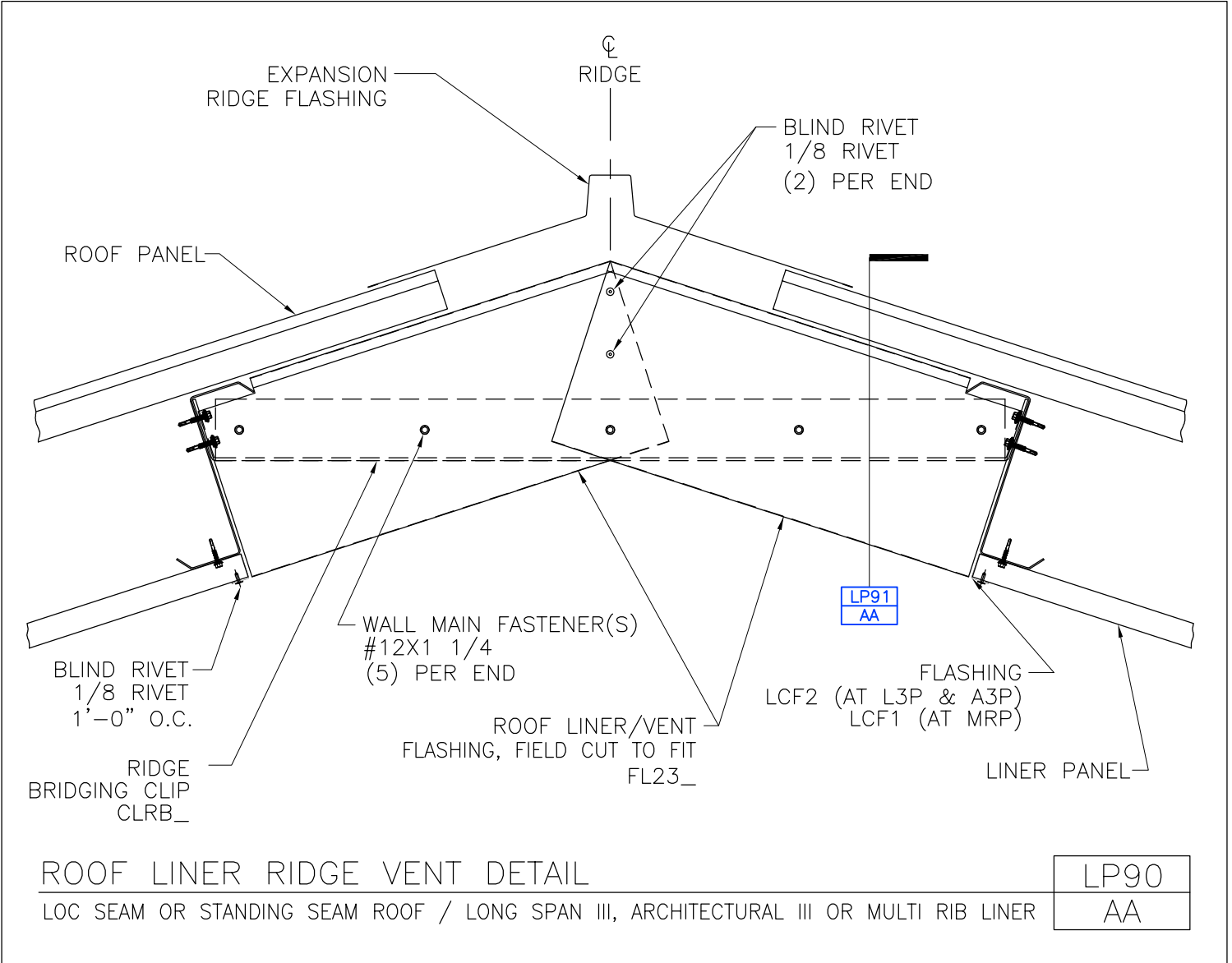
[Download the DWG file by clicking here.](#)

[To Section Index](#)

Roof Liner Ridge Vent Detail

Loc Seam or Standing Seam Roof / Long Span III, Architectural III or Multi-Rib Liner

LP90/AA

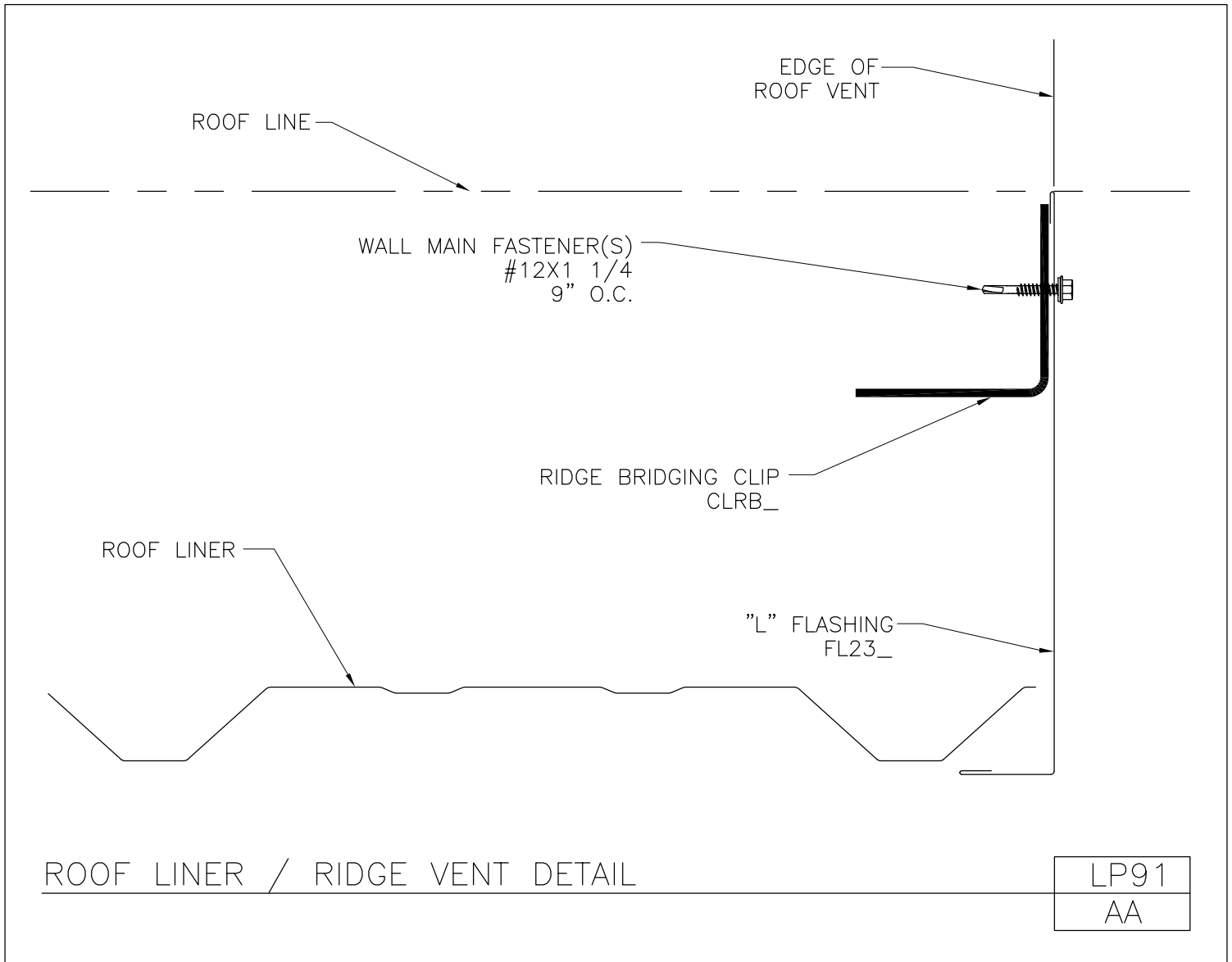


[Download the DWG file by clicking here.](#)

[To Section Index](#)

Roof Liner / Ridge Vent Detail

LP91/AA



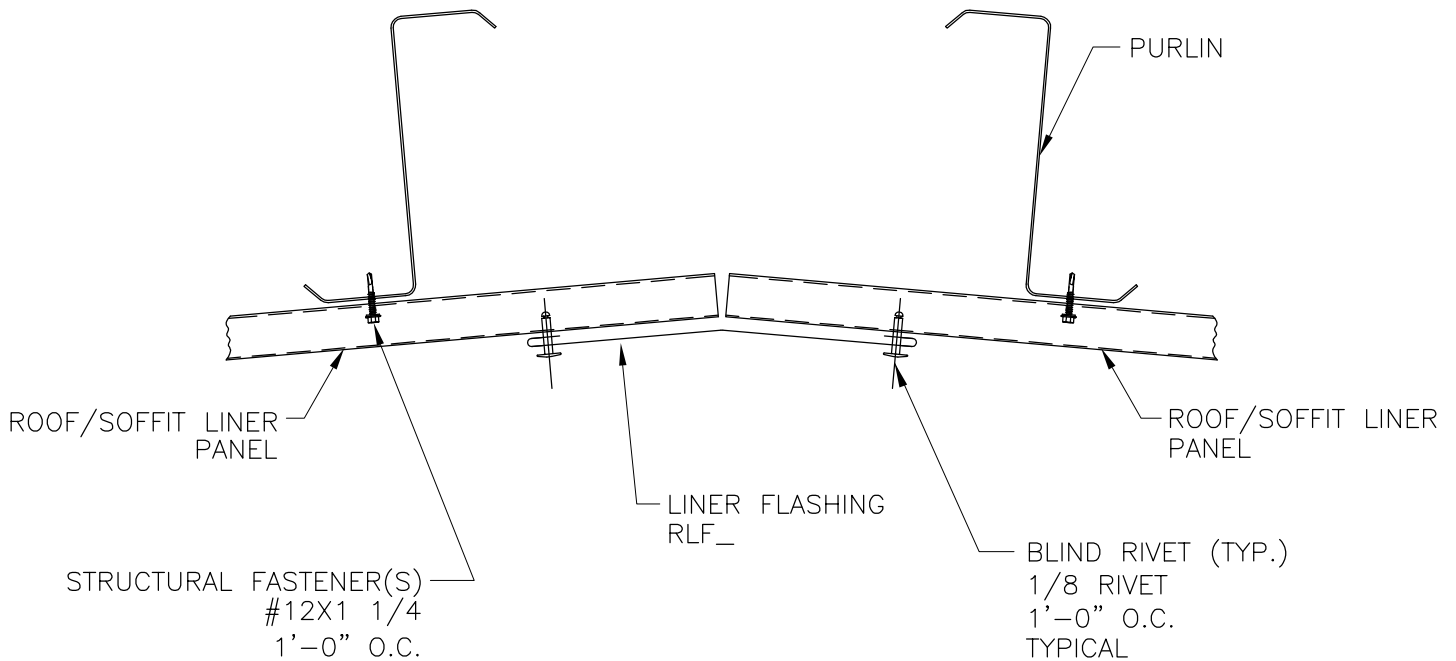
[Download the DWG file by clicking here.](#)

[To Section Index](#)

Detail Ridge Roof Liner/Soffit

SF11/JA

NOTE: ROOF PANEL NOT SHOWN FOR CLARITY
SEE PANEL SPECIFIC DETAILS



DETAIL AT RIDGE ROOF LINER/SOFFIT

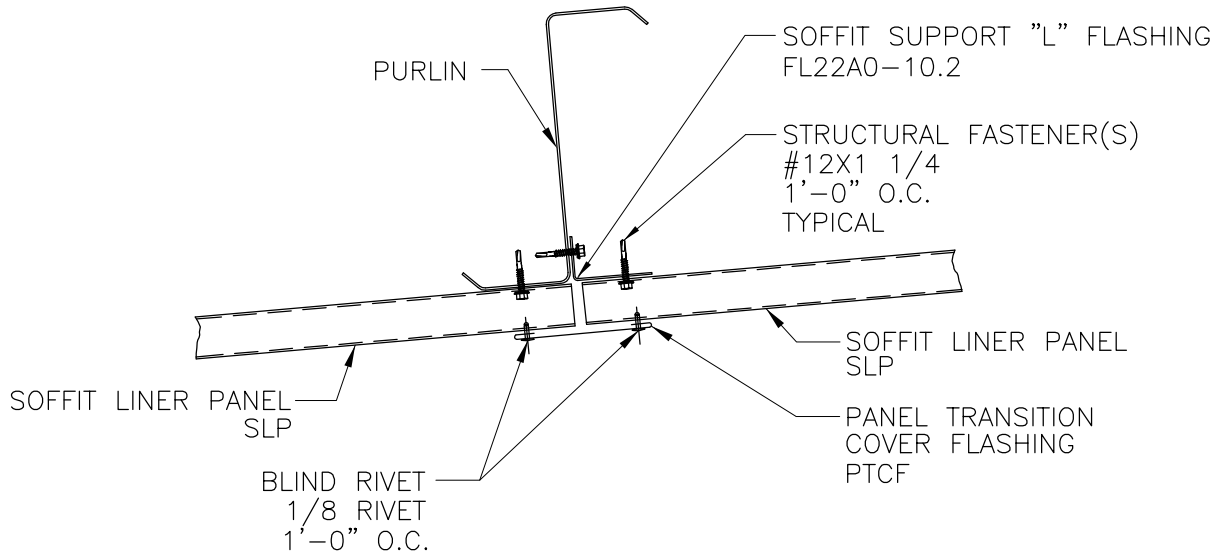
SF11
JA

[Download the DWG file by clicking here.](#)

[To Section Index](#)

Roof Liner / Soffit Liner Transition at Purlin
Soffit Liner Panels
SF12/JA

NOTE: ROOF PANEL NOT SHOWN FOR CLARITY
SEE PANEL SPECIFIC DETAILS



ROOF LINER/SOFFIT LINER TRANSITION AT PURLIN
SOFFIT LINER PANELS

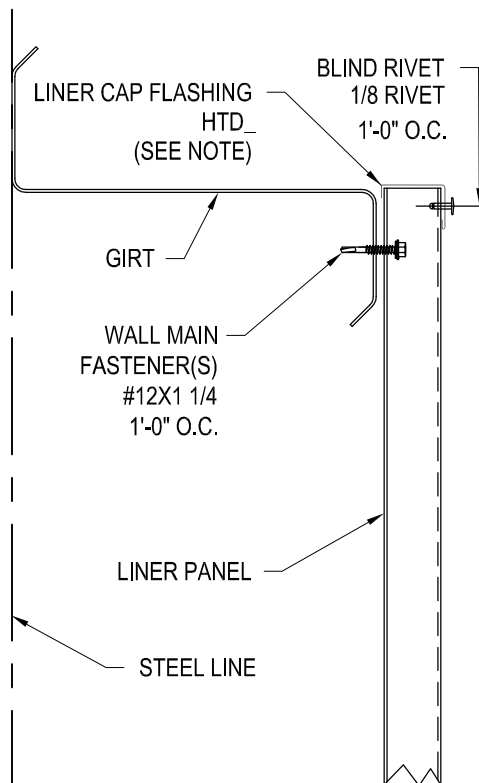
SF12
JA

[Download the DWG file by clicking here.](#)

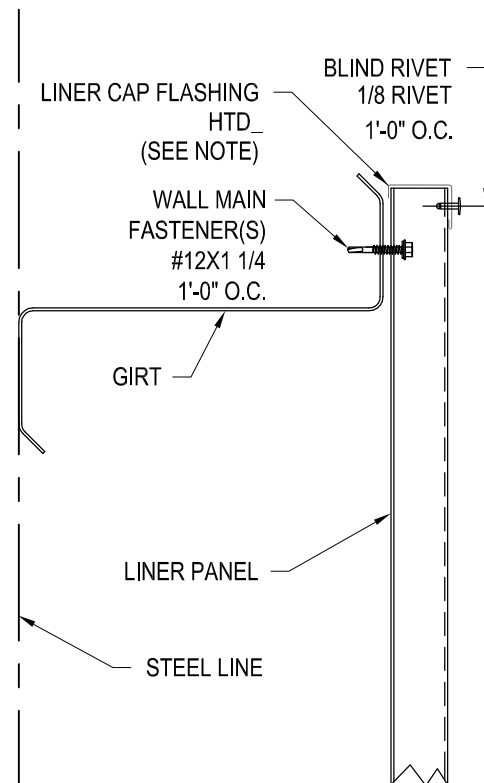
[To Section Index](#)

Section Through Liner Head at Girt Height
 Architectural III, Long Span III, Multi-Rib or Soffit Liner Panels
 WLP06/AB

NOTE:
 LCF1 REQUIRED AT MULTI-RIB AND SOFFIT LINER PANELS



TOED UP GIRT



TOED DOWN GIRT

SECTION THROUGH LINER HEAD AT GIRT HEIGHT

ARCHITECTURAL III, LONG SPAN III, MULTI-RIB OR SOFFIT LINER LINER PANELS

WLP06
AB

[Download the DWG file by clicking here.](#)

[To Section Index](#)



**AMERICAN
BUILDINGS**

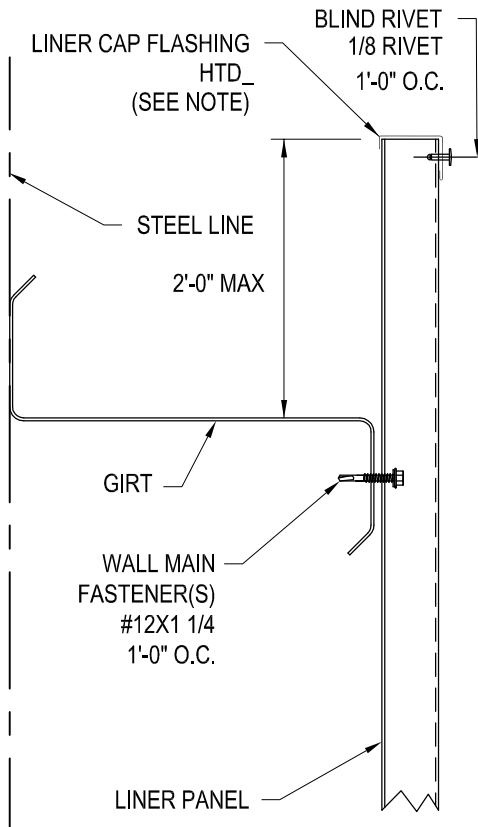
A **NUCOR** COMPANY

PRODUCT MANUAL

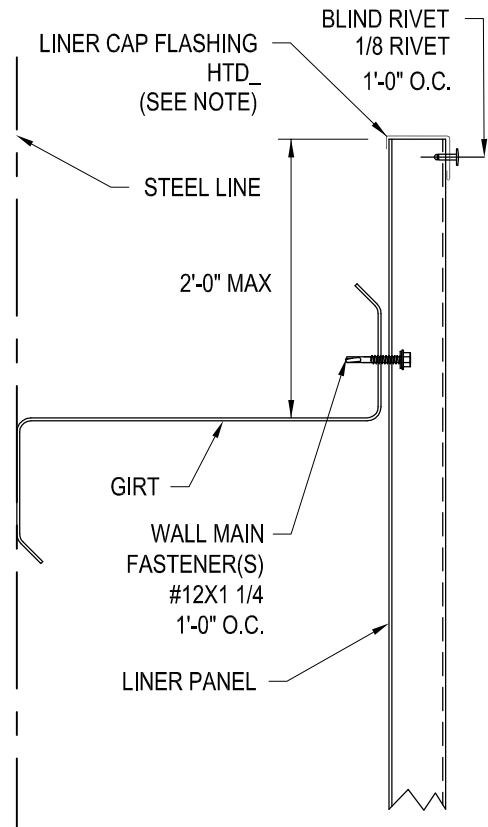
LINER PANELS

Section Through Liner Head Above Girt Height
Architectural III, Long Span III, Multi-Rib or Soffit Liner Panels
WLP07/AB

NOTE:
LCF1 REQUIRED AT MULTI-RIB AND SOFFIT LINER PANELS



TOED UP GIRT



TOED DOWN GIRT

SECTION THROUGH LINER HEAD ABOVE GIRT HEIGHT

ARCHITECTURAL III, LONG SPAN III, MULTI-RIB OR SOFFIT LINER PANELS

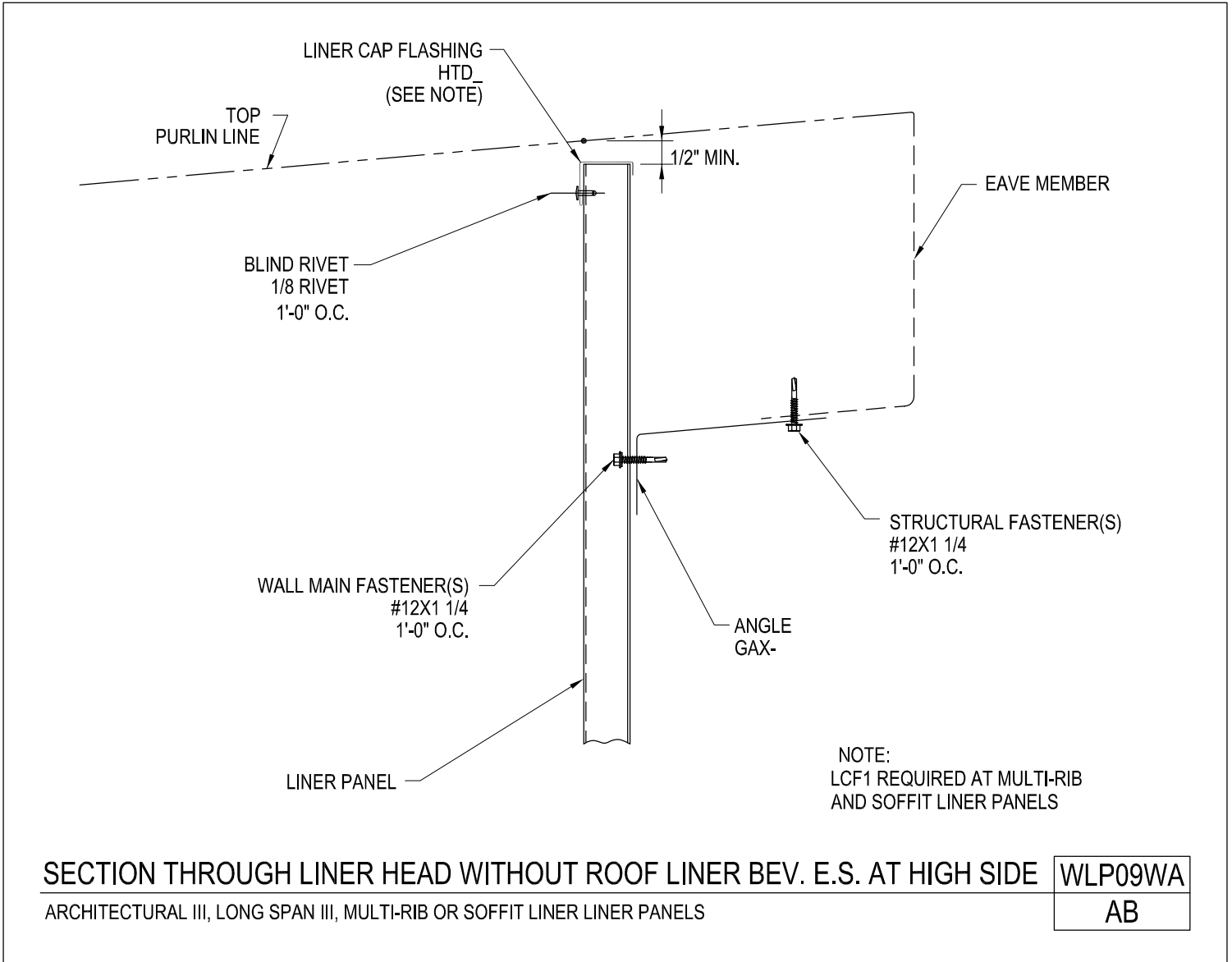
WLP07

AB

[Download the DWG file by clicking here.](#)

[To Section Index](#)

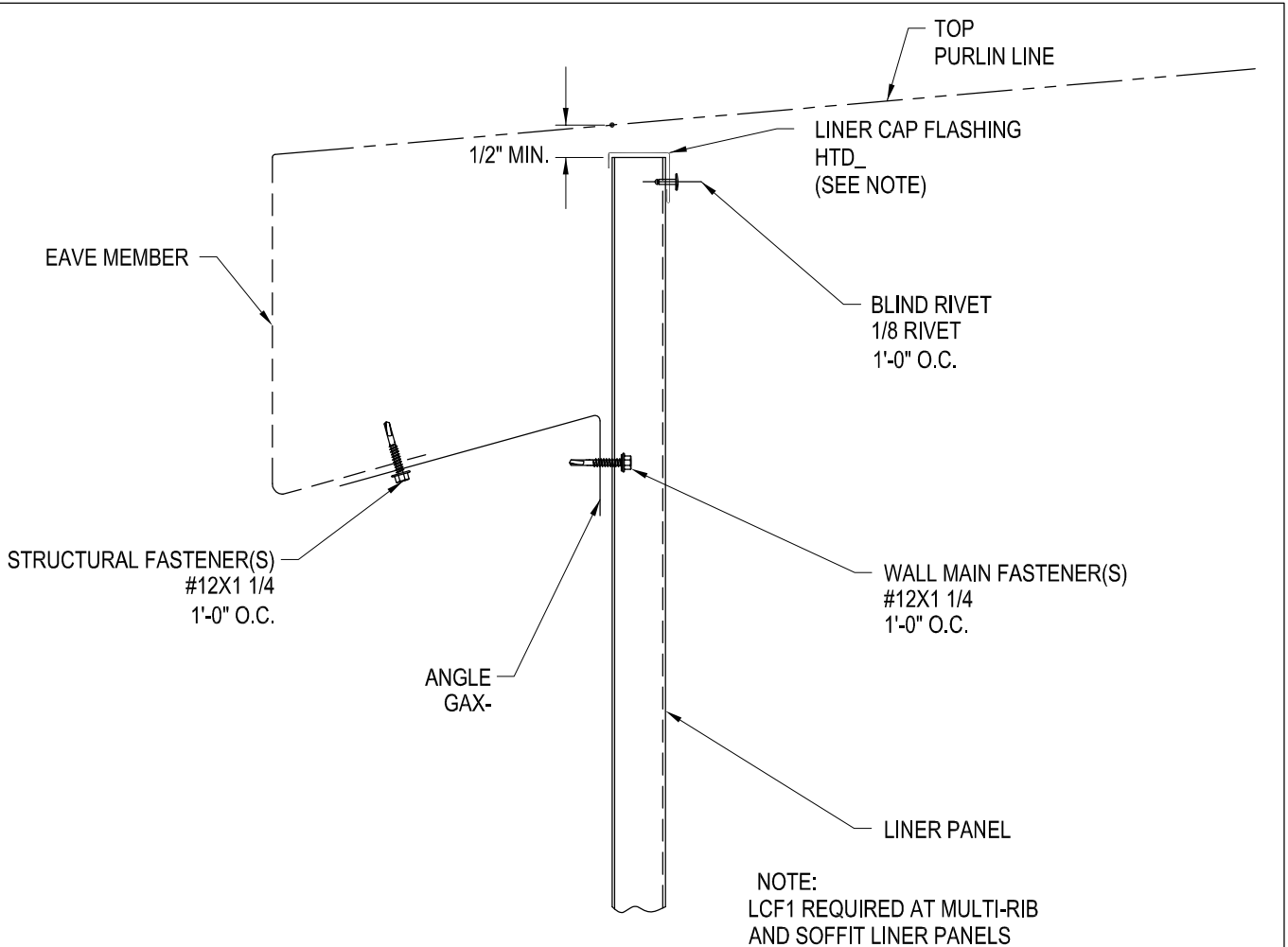
Section Through Liner Head Without Roof Liner Beveled E.S. at High Side
Architectural III, Long Span III, Multi-Rib or Soffity Liner Panels
WLP09WA/AB



[Download the DWG file by clicking here.](#)

[To Section Index](#)

Section Through Liner Head Without Roof Liner Beveled E.S.
Architectural III, Long Span III, Multi-Rib or Soffit Liner Panels
WLP09W/AB



SECTION THROUGH LINER HEAD WITHOUT ROOF LINER BEV. E.S.

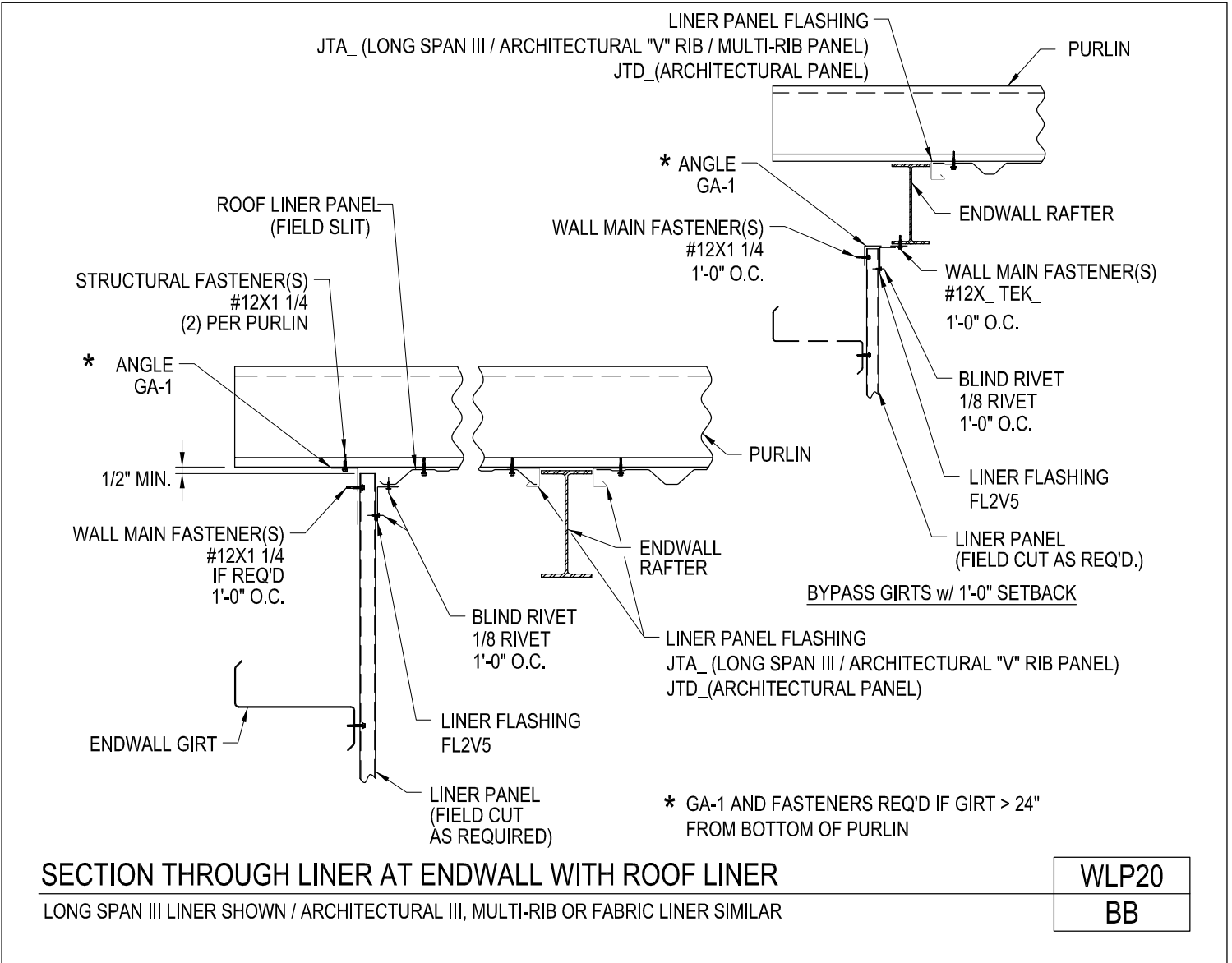
ARCHITECTURAL III, LONG SPAN III, MULTI-RIB OR SOFFIT LINER LINER PANELS

WLP09W
AB

[Download the DWG file by clicking here.](#)

[To Section Index](#)

Section Through Liner at Endwall With Roof Liner
Long Span III Liner Shown / Architectural III, Multi-Rib or Fabric Liner Similar
WLP20/BB



[Download the DWG file by clicking here.](#)

[To Section Index](#)

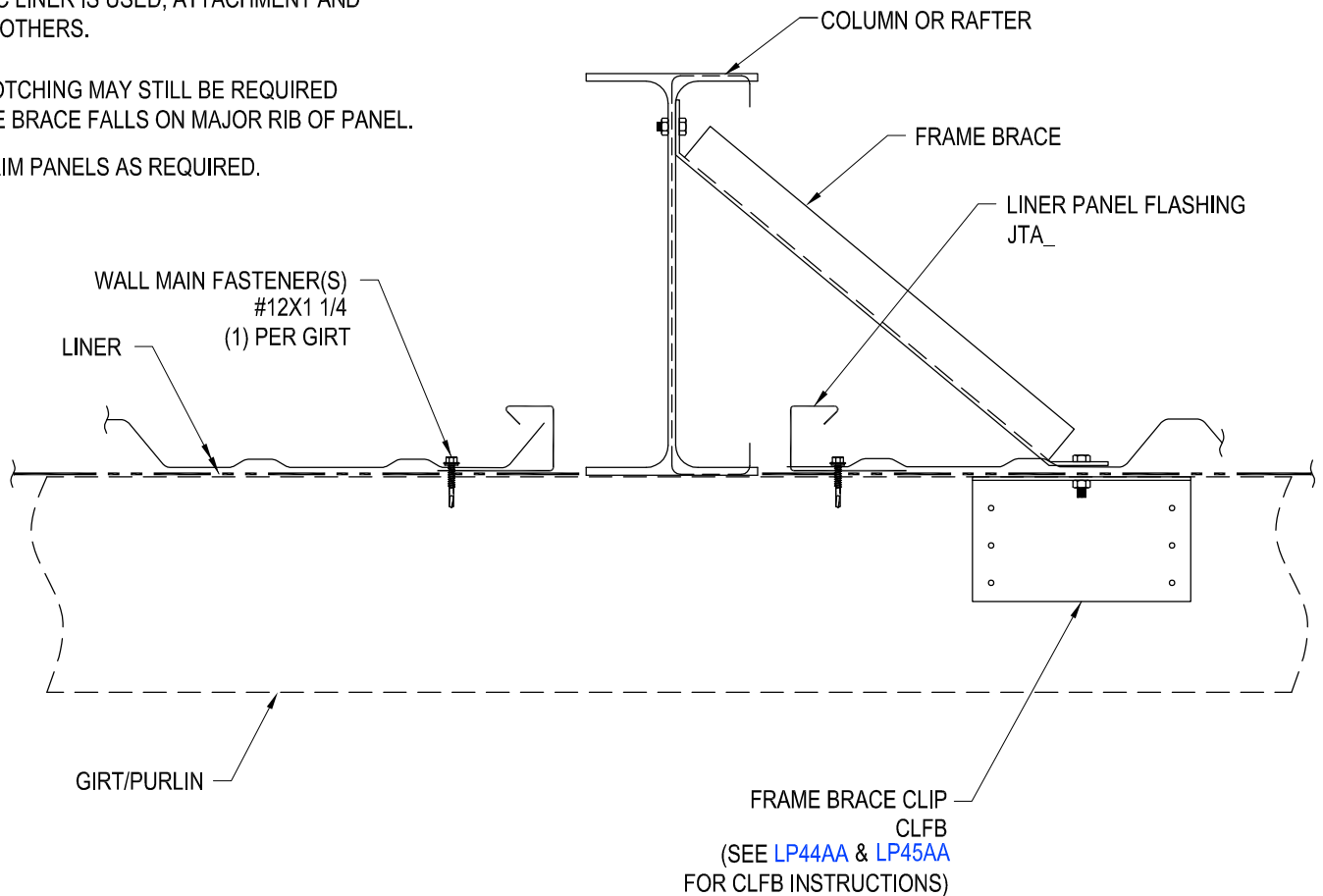
Section Through Bypass Purlin/Girt w/ Liner
Fabric or Long Span III Liner Panels
WLP42RA/AB

NOTE:

IF FABRIC LINER IS USED, ATTACHMENT AND TRIM BY OTHERS.

FIELD NOTCHING MAY STILL BE REQUIRED IF FRAME BRACE FALLS ON MAJOR RIB OF PANEL.

FIELD TRIM PANELS AS REQUIRED.



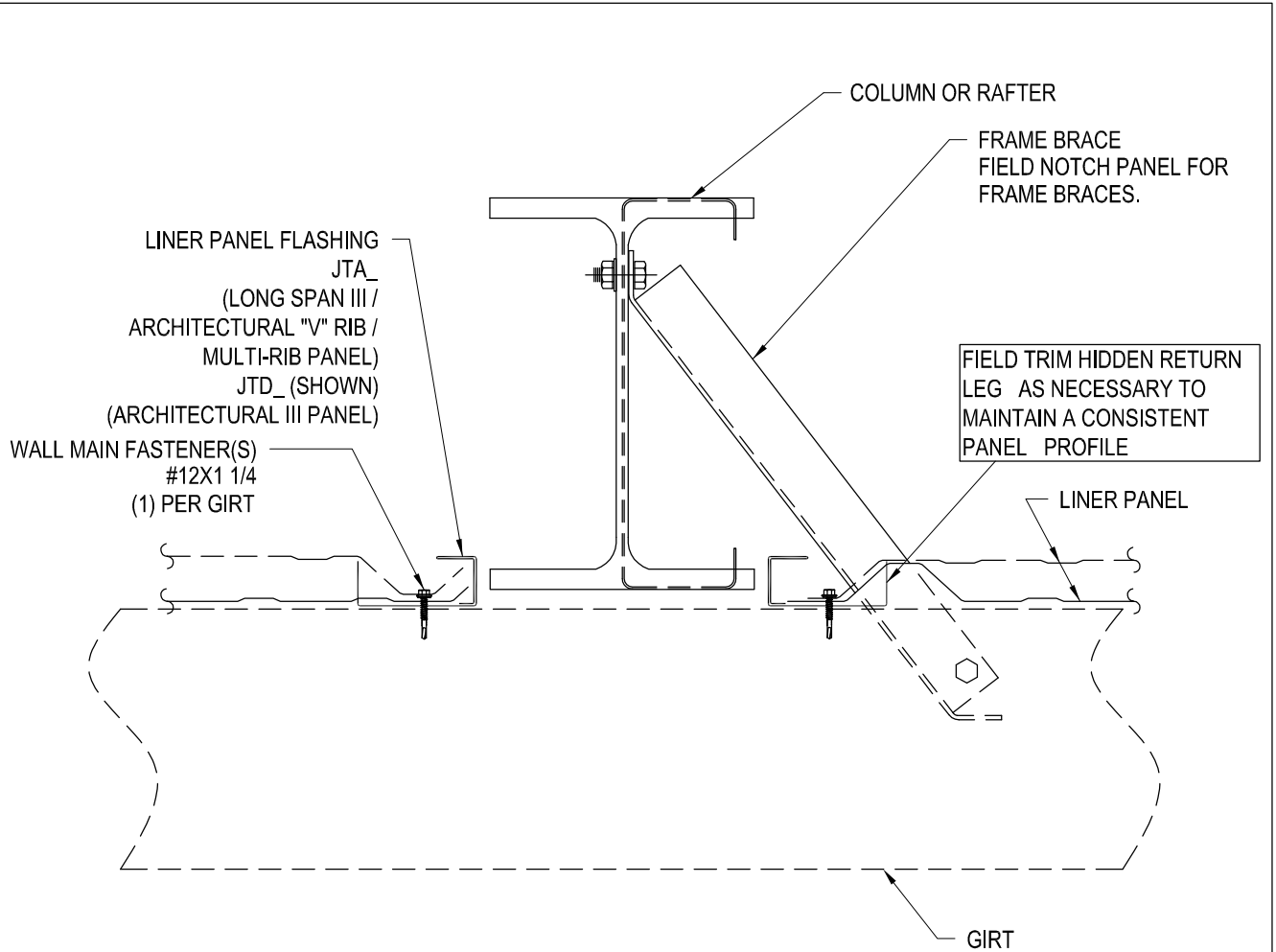
SECTION THROUGH BYPASS PURLIN/GIRT W/ LINER
FABRIC OR LONG SPAN III LINER PANELS

WLP42RA
AB

[Download the DWG file by clicking here.](#)

[To Section Index](#)

Section Through Bypass Purlin/Girt w/ Liner
Architectural III, Long Span III or Multi-Rib Liner Panels
WLP42R/AB



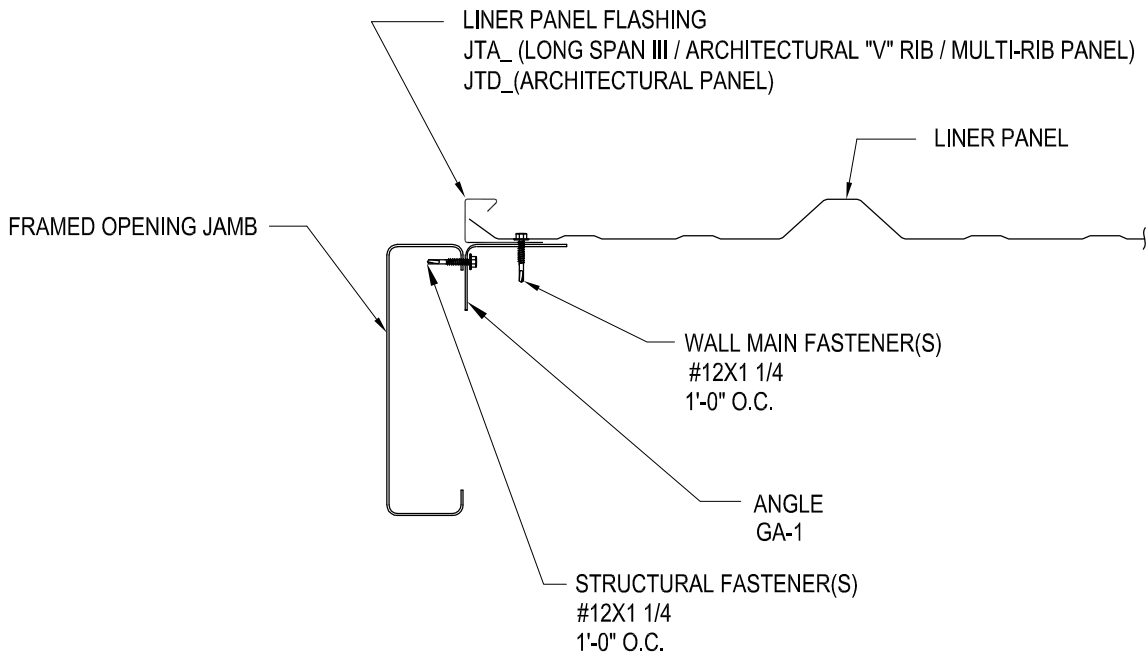
SECTION THROUGH BYPASS PURLIN/GIRT W/LINER
ARCHITECTURAL III, LONG SPAN III OR MULTI-RIB LINER PANELS

WLP42R
AB

[Download the DWG file by clicking here.](#)

[To Section Index](#)

Section at Roll-Up or Overhead Door Jamb w/ Liner
 Long Span III Liner Shown / Architectural III or Multi-Rib Liner Similar
 WLP51/AB



SECTION AT ROLL-UP OR OVERHEAD DOOR JAMB W/LINER

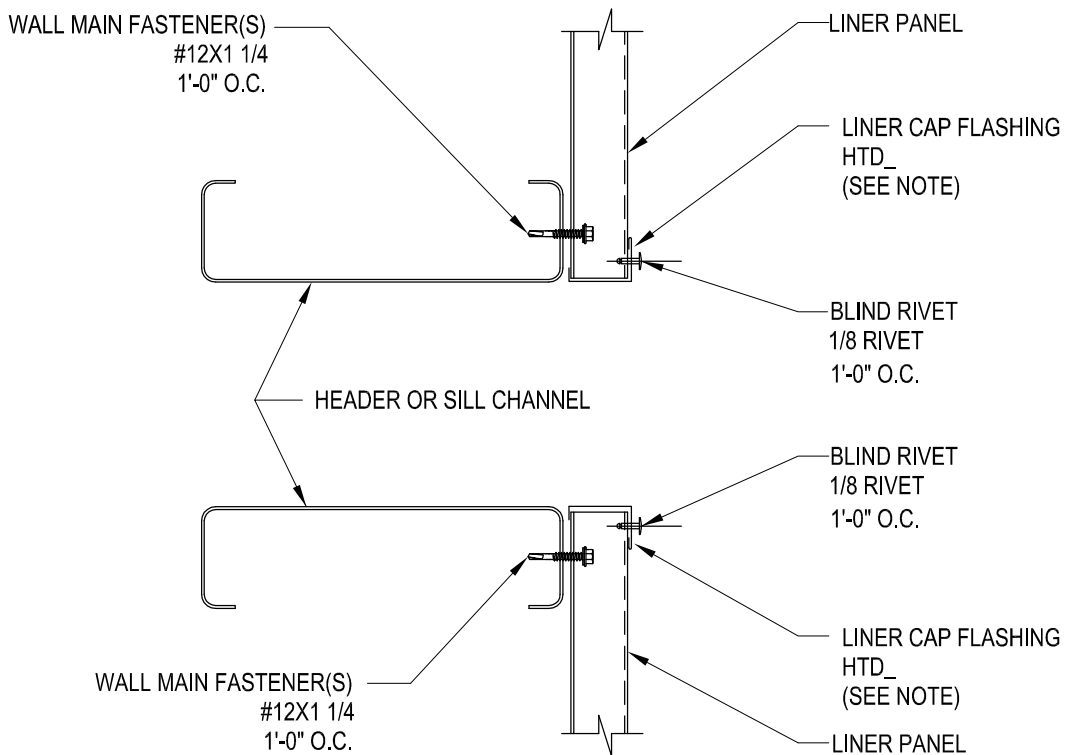
LONG SPAN III LINER SHOWN / ARCHITECTURAL III OR MULTI-RIB LINER SIMILAR

WLP51
AB

[Download the DWG file by clicking here.](#)

[To Section Index](#)

Section Through Header & Sill With Liner
Architectural III, Long Span III, Multi-Rib or Soffit Liner Panels
WLP52/AB



NOTE:
LCF1 REQUIRED AT MULTI-RIB
AND SOFFIT LINER PANELS

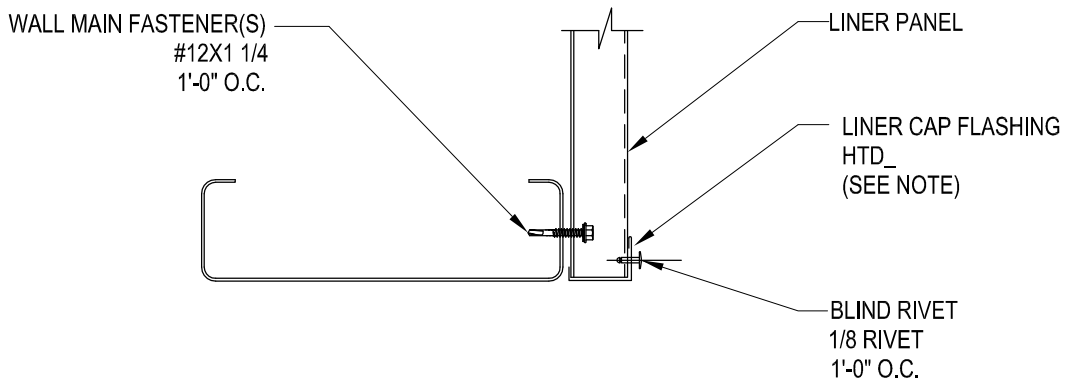
SECTION THROUGH HEADER & SILL WITH LINER
ARCHITECTURAL III, LONG SPAN III, MULTI-RIB OR SOFFIT LINER LINER PANELS

WLP52
AB

[Download the DWG file by clicking here.](#)

[To Section Index](#)

Section Through Partially Open Wall at Girt with Flush Panel
Architectural III, Long Span III, Multi-Rib or Soffit Liner Panels
WLP55/AB



NOTE:
LCF1 REQUIRED AT MULTI-RIB
AND SOFFIT LINER PANELS

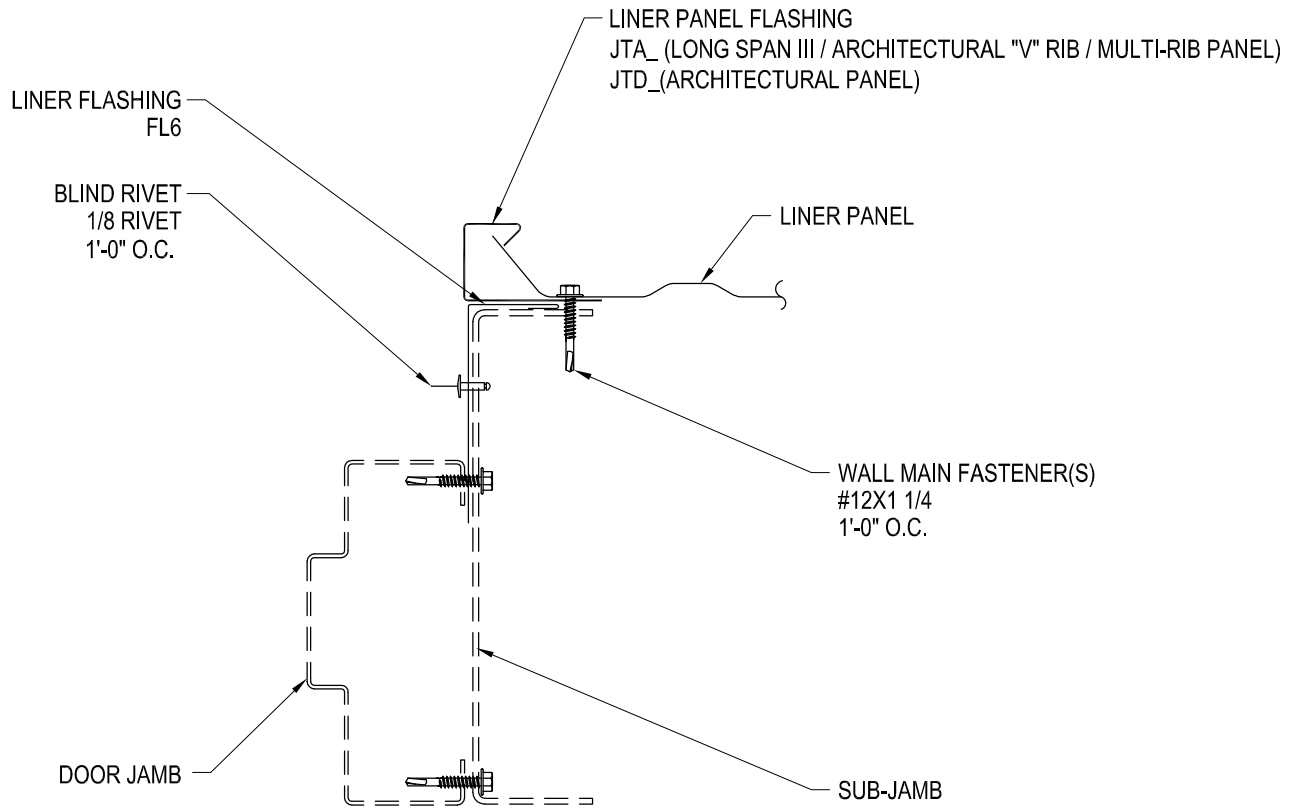
SECTION THROUGH PARTIALLY OPEN WALL AT GIRT WITH FLUSH PANEL
ARCHITECTURAL III, LONGSPAN III, MULTI-RIB OR SOFFIT LINER LINER PANELS

WLP55
AB

[Download the DWG file by clicking here.](#)

[To Section Index](#)

Section at Personnel Door Jamb w/ Liner 8" Girts
 Architectural III, Long Span III or Multi-Rib Liner Panels
 WLP61/AB



SECTION AT PERSONNEL DOOR JAMB W/LINER 8" GIRTS

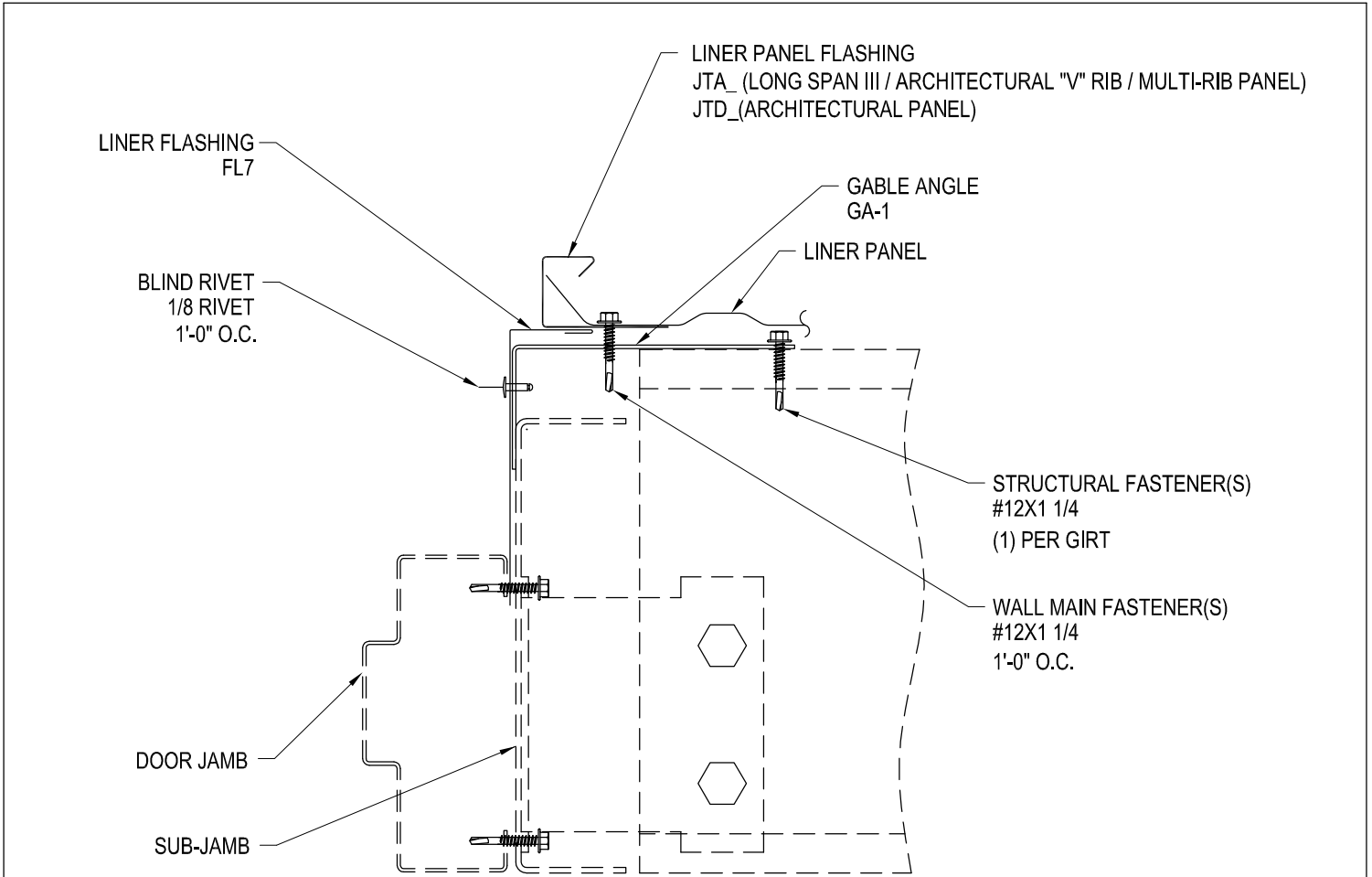
ARCHITECTURAL III, LONG SPAN III OR MULTI-RIB LINER PANELS

WLP61
AB

[Download the DWG file by clicking here.](#)

[To Section Index](#)

Section at Personnel Door Jamb w/ Liner 9 1/2" Girts
 Architectural III, Long Span III, or Multi-Rib Liner Panels
 WLP61N/AB



SECTION AT PERSONNEL DOOR JAMB W/LINER 9 1/2" GIRTS

ARCHITECTURAL III, LONG SPAN III OR MULTI-RIB LINER PANELS

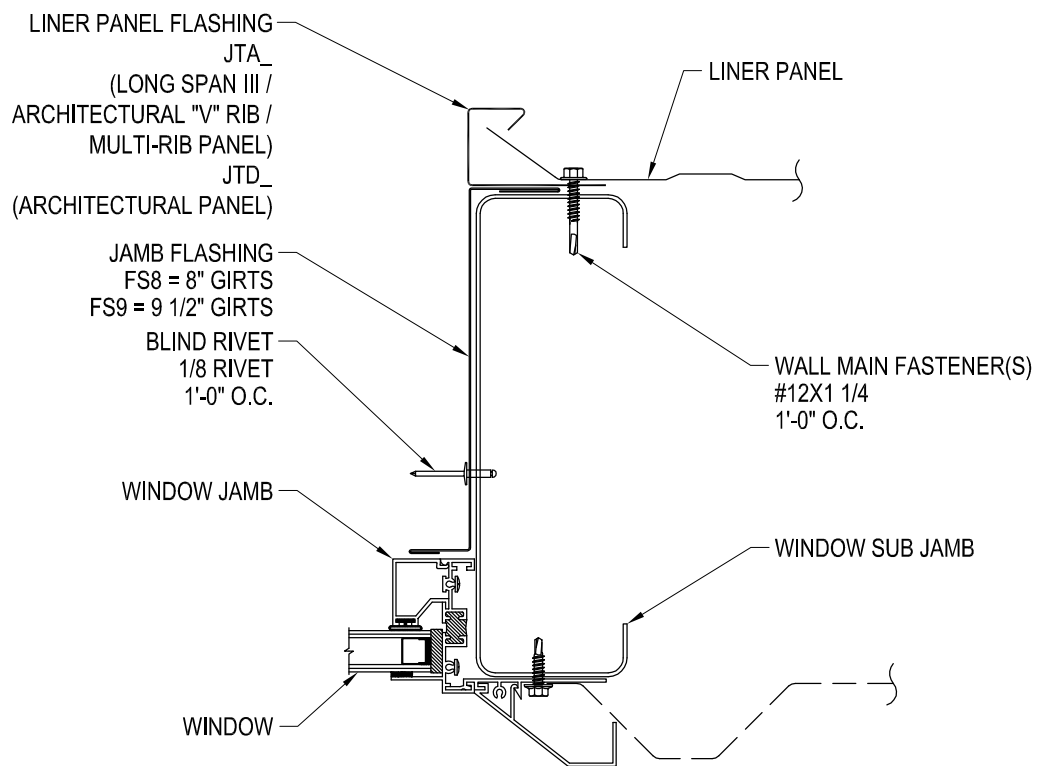
WLP61N

AB

[Download the DWG file by clicking here.](#)

[To Section Index](#)

Section at Thermal Window Jamb w/ Liner
Long Span III Liner Shown / Architectural III or Multi-Rib Liner Similar
WLP73/AB



SECTION AT THERMAL WINDOW JAMB W/LINER

LONG SPAN III LINER SHOWN / ARCHITECTURAL III OR MULTI-RIB LINER SIMILAR

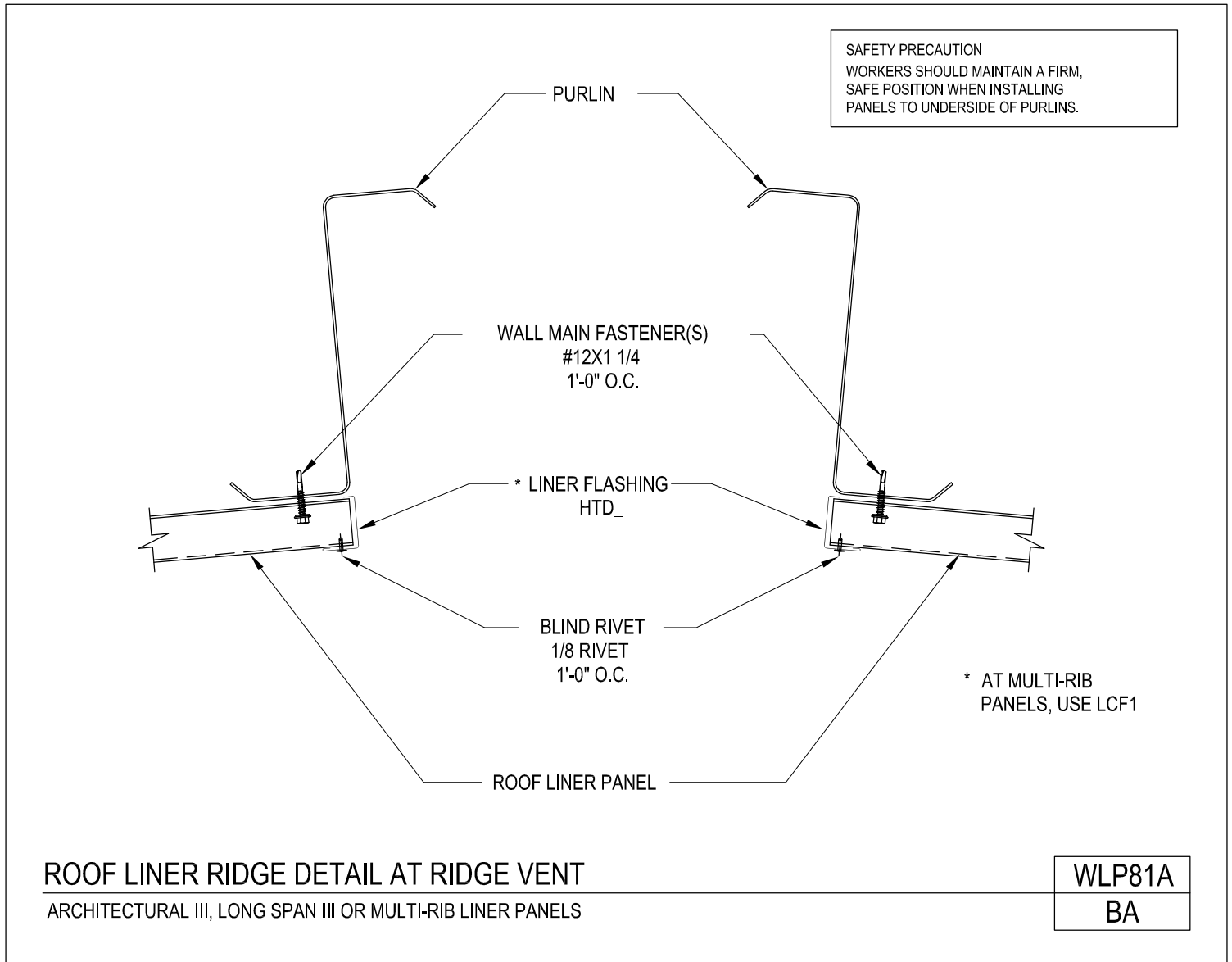
WLP73

AB

[Download the DWG file by clicking here.](#)

[To Section Index](#)

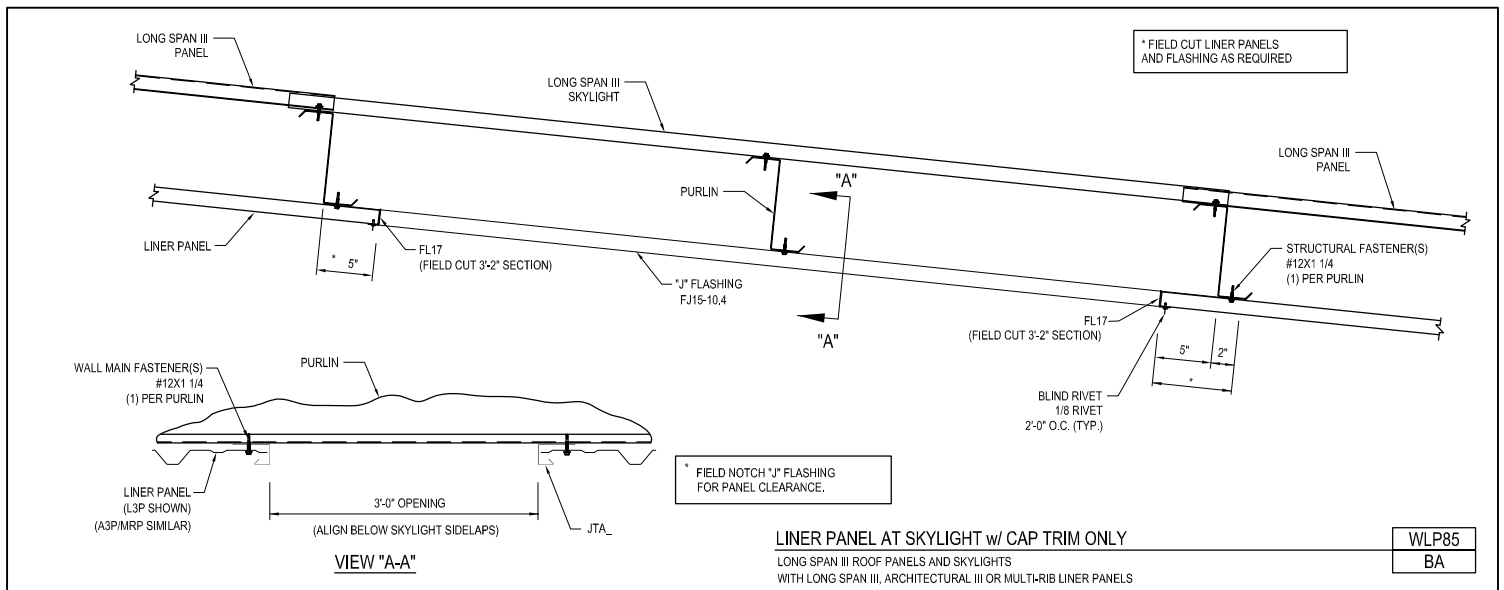
Roof Liner Ridge Detail at Ridge Vent
 Architectural III, Long Span III or Multi-Rib Liner Panels
 WLP81A/BA



[Download the DWG file by clicking here.](#)

[To Section Index](#)

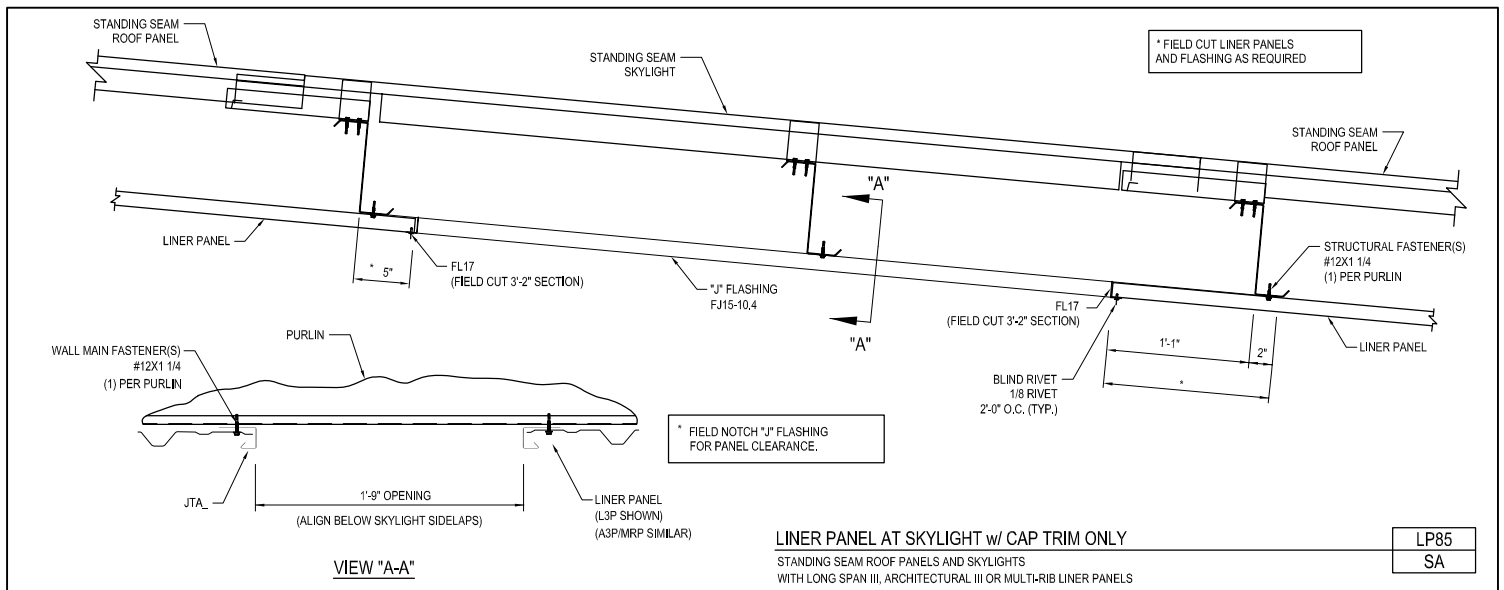
Liner Panel at Skylight w/ Cap Trim Only
 Long Span III Roof Panels and Skylights - with Long Span III, Architectural III or Multi-Rib Liner Panels
 WLP85/BA



[Download the DWG file by clicking here.](#)

[To Section Index](#)

Liner Panel at Skylight w/ Cap Trim
 Standing Seam Roof Panels and Skylights - With Long Span III, Architectural III or Multi-Rib Liner Panels
 WLP85/SA



[Download the DWG file by clicking here.](#)

[To Section Index](#)