

# Product Manual - Loc Seam Panels - Eave

---

EA01/AA, Standard Gutter Detail  
EA01C/AA, Standard Gutter With Gutter Clip Attachment  
EA01CB/AO, Oversize Gutter Detail at Overhang  
EA01E/AA, Oversize Gutter Detail  
EA01E/AO, Oversize Gutter Detail with Open Sidewall  
EA01A/GA, High Side Eave Detail  
EA03/AA, Deluxe Eave Flashing Installation  
EA03A/AO, Deluxe Eave Flashing Installation  
EA03/AO, Deluxe Eave Flashing Installation at Open Sidewall  
EA03CA/AO, Deluxe Eave Flashing Installation  
EA04A/GO, Section at Eave  
EA04CA/GO, Section at Eave  
EA04C/GB, Simple Eave w/ Thermal Blocks (TB2T or TB3T) at Purlins  
EA04C/GD, Section at Eave w/ Thermal Blocks (TB2T or TB3T) at Purlins  
EA04F/GB, Section at Simple Hemmed Eave  
EA04/GB, Section at Simple Eave Without Thermal Block  
EA04/GD, Section at Simple Eave Without Thermal Block  
EA04G/GB, Section at Simple Hemmed Eave w/ Thermal Blocks at Purlins  
EA04/GO, Simple Eave  
EA05A/GO, Deluxe Highside Eave  
EA05CA/GO, Deluxe High Side Eave  
EA05C/GB, Deluxe High Side Eave  
EA05/GB, Deluxe Highside Eave  
EA05/GO, Deluxe Highside Eave  
EA06/GA, Roof to Wall Transition at Existing Eave  
EA07F/GB, Section at Double Hemmed Eave w/ Cleat  
EA07G/GB, Cleated Double Hemmed Eave w/ Thermal Blocks at Purlins  
EA10/AA, Eave Support Flashing Attachment  
EA10/AD, Eave Support Flashing Attachment  
EA10C/AA, Thermal Eave Support Flashing Attachment  
EA10C/AD, Thermal Eave Support Flashing Attachment  
EA11/AA, Roof Sheeting Prior to Wall Sheeting Instructions  
EA11/GB, Roof to Wall Transition at High Side  
EA11/GD, Roof to Wall Transition at High Side  
EA11/GW, Roof to Wall Transition at High Side  
EA21A/GO, Ice & Snow Eave Detail w/ Deluxe Eave Flashing  
EA21CA/GO, Ice & Snow Eave Detail w/ Deluxe Eave Flashing

EA21C/GB, Ice & Snow Eave Detail w/ Deluxe Eave Flashing  
EA21C/GD, Ice & Snow Eave Detail w/ Deluxe Eave Flashing  
EA21/GB, Ice & Snow Eave Detail w/ Deluxe Eave Flashing  
EA21/GD, Ice & Snow Eave Detail w/ Deluxe Eave Flashing  
EA22A/GO, Ice & Snow Eave Detail  
EA22CA/GO, Ice & Snow Eave Detail  
EA22C/GD, Ice & Snow Eave Detail  
EA22/GB, Ice & Snow Eave Detail  
EA22/GD, Ice & Snow Eave Detail  
EA24A/GO, Ice & Snow Eave Detail w/ Standard Gutter  
EA24CA/GO, Ice & Snow Eave Detail w/ Standard Gutter  
EA24C/GA, Ice & Snow Eave Detail w/ Standard Gutter  
EA24/GA, Ice & Snow Eave Detail w/ Standard Gutter  
EA25A/GO, Ice & Snow Eave Detail w/ Oversize Gutter  
EA25CA/GO, Ice & Snow Eave Detail w/ Oversize Gutter  
EA25C/GA, Ice & Snow Eave Detail w/ Oversize Gutter  
EA25/GA, Ice & Snow Eave Detail w/ Oversize Gutter  
EA26A/GA, "Critical" Eave Sealant Detail  
EA26C/GA, Roof Panel Attachment at Eave w/ Ice & Snow  
EA26/GA, Roof Panel Attachment at Eave  
EA28/AB, Mastic and Insulation Application at Eave  
EA28C/AB, Mastic and Insulation Application at Eave  
EA28/SO, Mastic and Insulation Application at Eave  
EA30/GA, Roof to Wall Transition at Eave  
EA31/GA, Roof to Wall Transition at Eave  
EA32/GA, Roof to Wall Transition at Mini-Brake  
EA38/AA, Eave Member Type at Low Side  
EA38A/AA, Eave Member Type at Low Side  
EA38B/AA, Eave Member Type at High Side  
EA38BA/AA, Eave Member Type at High Side  
EO28C/SO, Mastic and Insulation Application at Eave  
EO28/SO, Mastic and Insulation Application at Low Eave  
WEA11GB, Roof to Wall Transition at High Side  
WEA11GD, Roof to Wall Transition at High Side  
WEA11GW, Roof to Wall Transition at High Side



# AMERICAN BUILDINGS

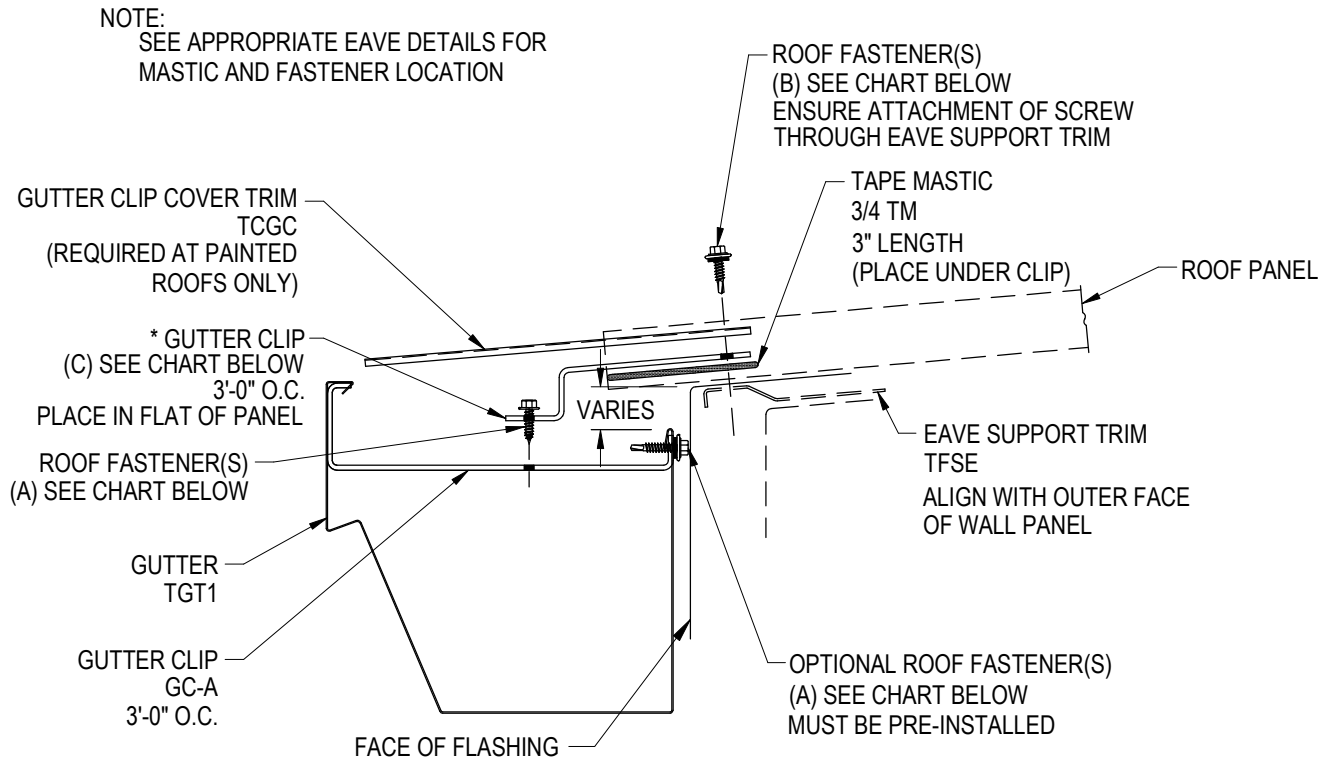
A NUCOR COMPANY

# PRODUCT MANUAL

STANDING SEAM ROOF PANEL

## Standard Gutter Detail with Gutter Clip Attachment

EA01/AA



ROOF PANEL	ROOF FASTENER (A) (1) PER CLIP	ROOF FASTENER (B) (1) PER CLIP	GUTTER CLIP (C)
LOC SEAM (LOC)	#14X3/4 SDRF	H1030	CGB_
STANDING SEAM (S2P, S3P)	#14X3/4 SDRF	H1030	CGB_

## STANDARD GUTTER DETAIL

EA01  
AA

[Download the DWG file by clicking here.](#)

[To Section Index](#)



**AMERICAN BUILDINGS**

A **NUCOR** COMPANY

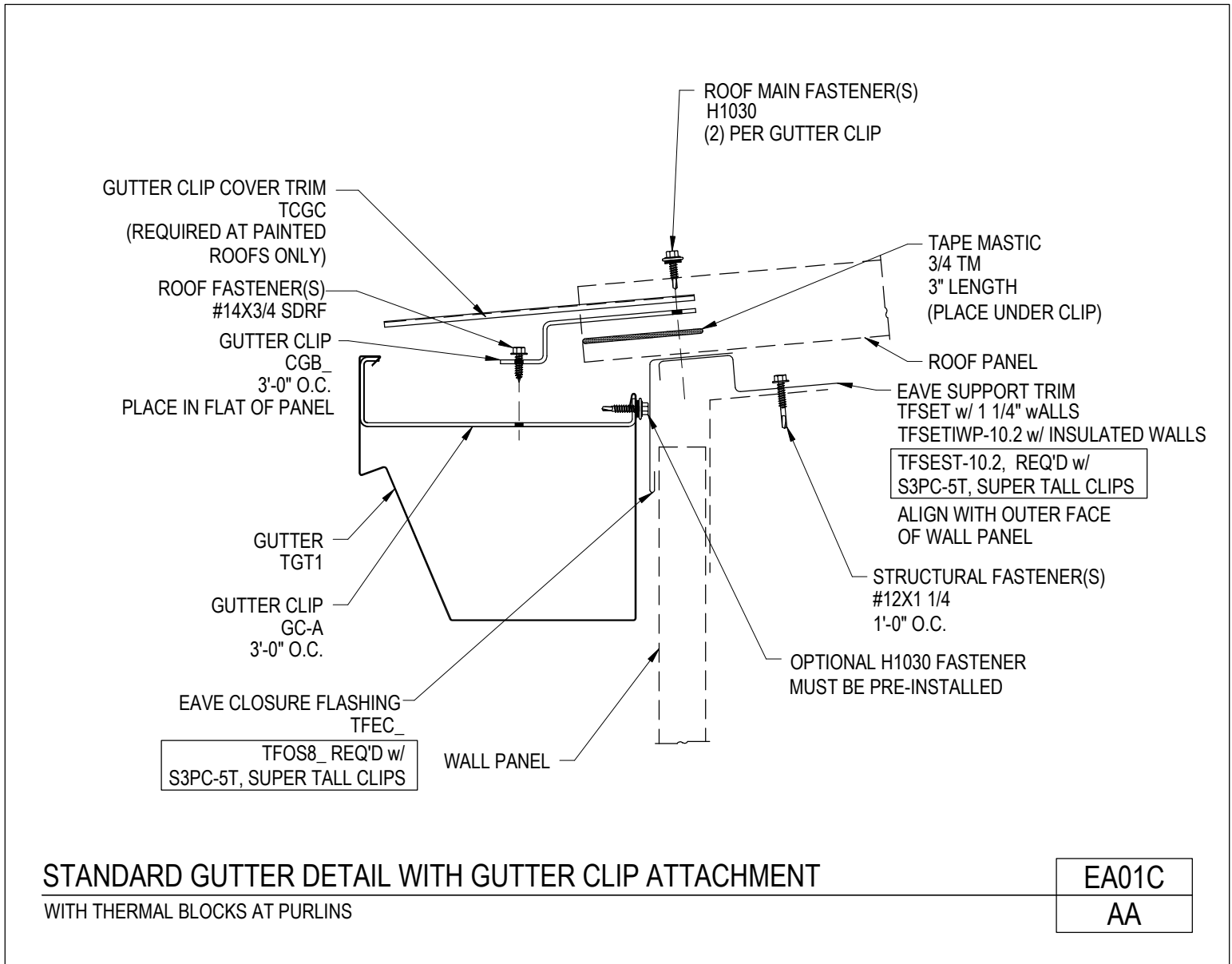
# PRODUCT MANUAL

STANDING SEAM ROOF PANEL

## Standard Gutter Detail with Gutter Clip Attachment

With Thermal Blocks

EA01C/AA



[Download the DWG file by clicking here.](#)

[To Section Index](#)



# AMERICAN BUILDINGS

A NUCOR COMPANY

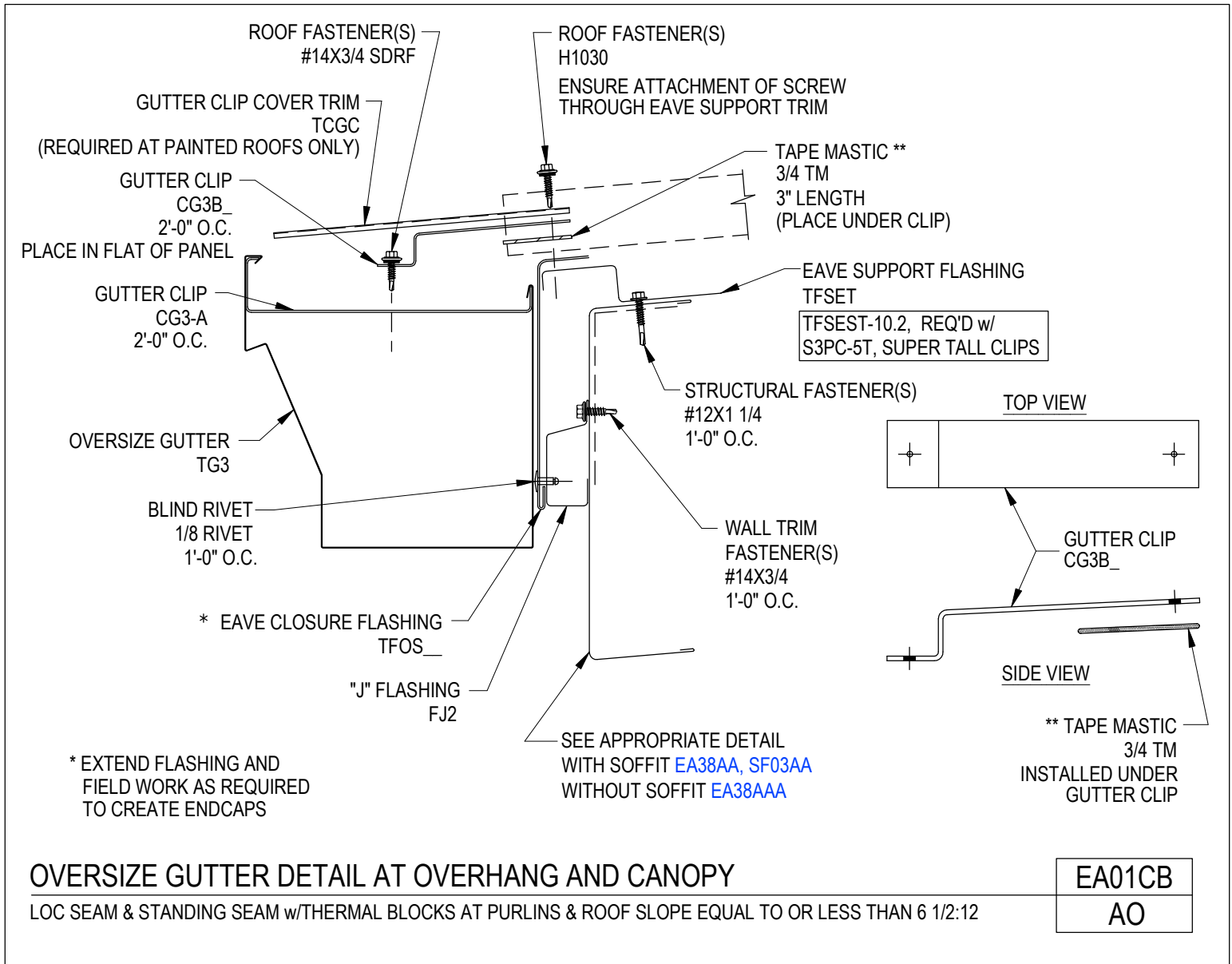
# PRODUCT MANUAL

LOC SEAM PANEL

## Oversize Gutter Detail at Overhang

Loc Seam & Standing Seam w/ Thermal Blocks at Purlins & Roof Slope Equal to or Less Than 6 1/2:12

EA01CB/AO



[Download the DWG file by clicking here.](#)

[To Section Index](#)



# AMERICAN BUILDINGS

A NUCOR COMPANY

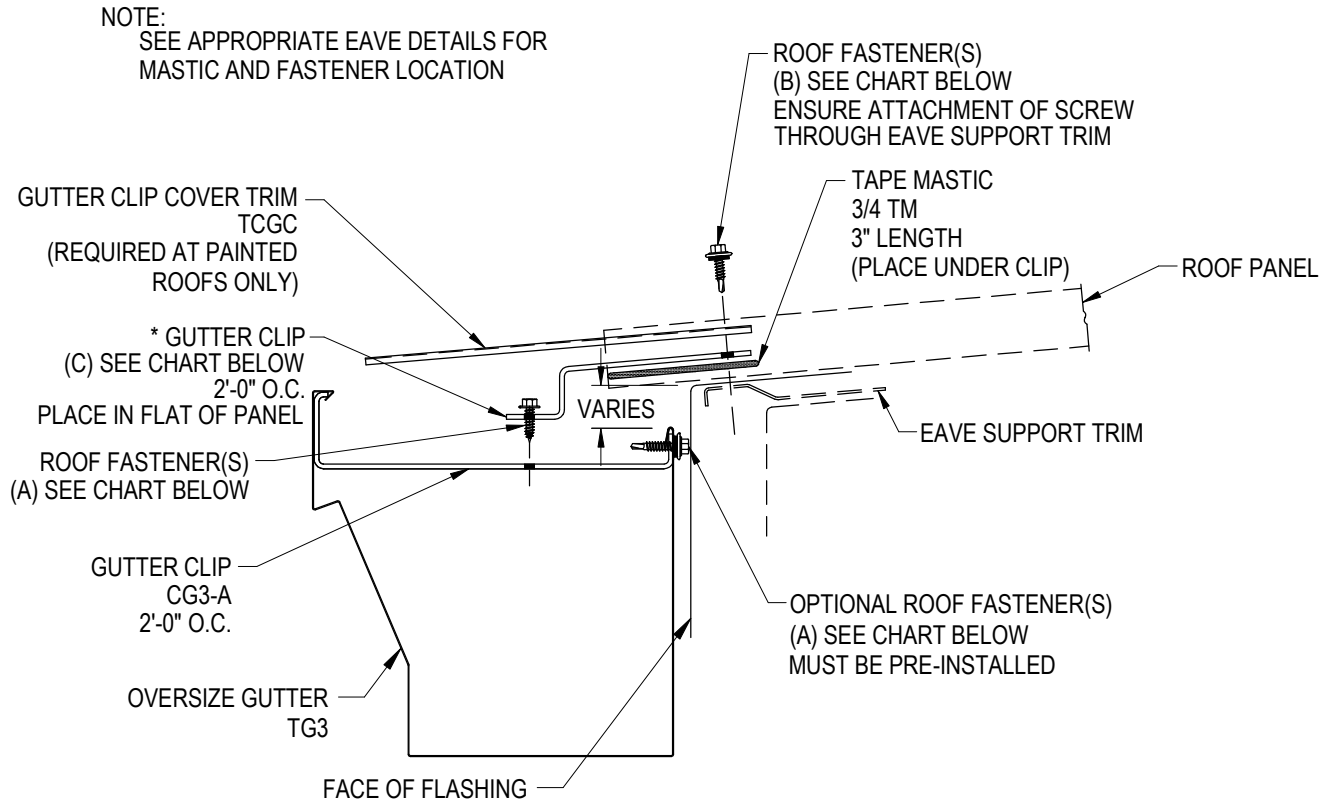
# PRODUCT MANUAL

LOC SEAM PANEL

## Oversize Gutter Detail

At Slopes Equal to or Less Than 6 1/2:12

EA01E/AA



ROOF PANEL	ROOF FASTENER (A) (1) PER CLIP	ROOF FASTENER (B) (1) PER CLIP	GUTTER CLIP (C)
LOC SEAM (LOC)	#14X3/4 SDRF	H1030	CG3B_
STANDING SEAM (S2P, S3P)	#14X3/4 SDRF	H1030	CG3B_

## OVERSIZE GUTTER DETAIL

AT SLOPES EQUAL TO OR LESS THAN 6 1/2:12

EA01E

AA

[Download the DWG file by clicking here.](#)

[To Section Index](#)



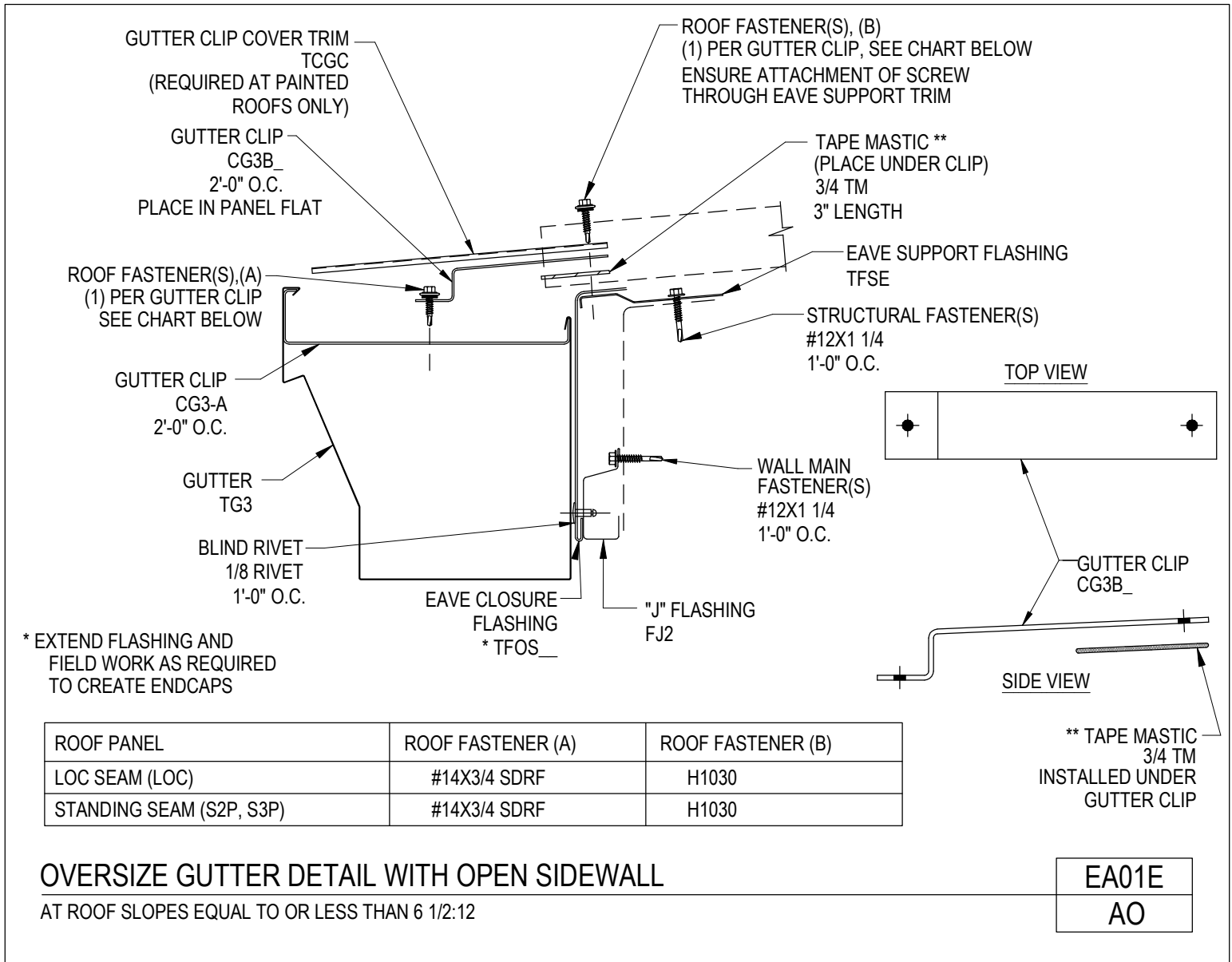
# AMERICAN BUILDINGS

A NUCOR COMPANY

# PRODUCT MANUAL

LOC SEAM PANEL

Oversize Gutter Detail With Open Sidewall  
 At Slopes Equal to or Less Than 6 1/2:12  
 EA01E/AO



[Download the DWG file by clicking here.](#)

[To Section Index](#)



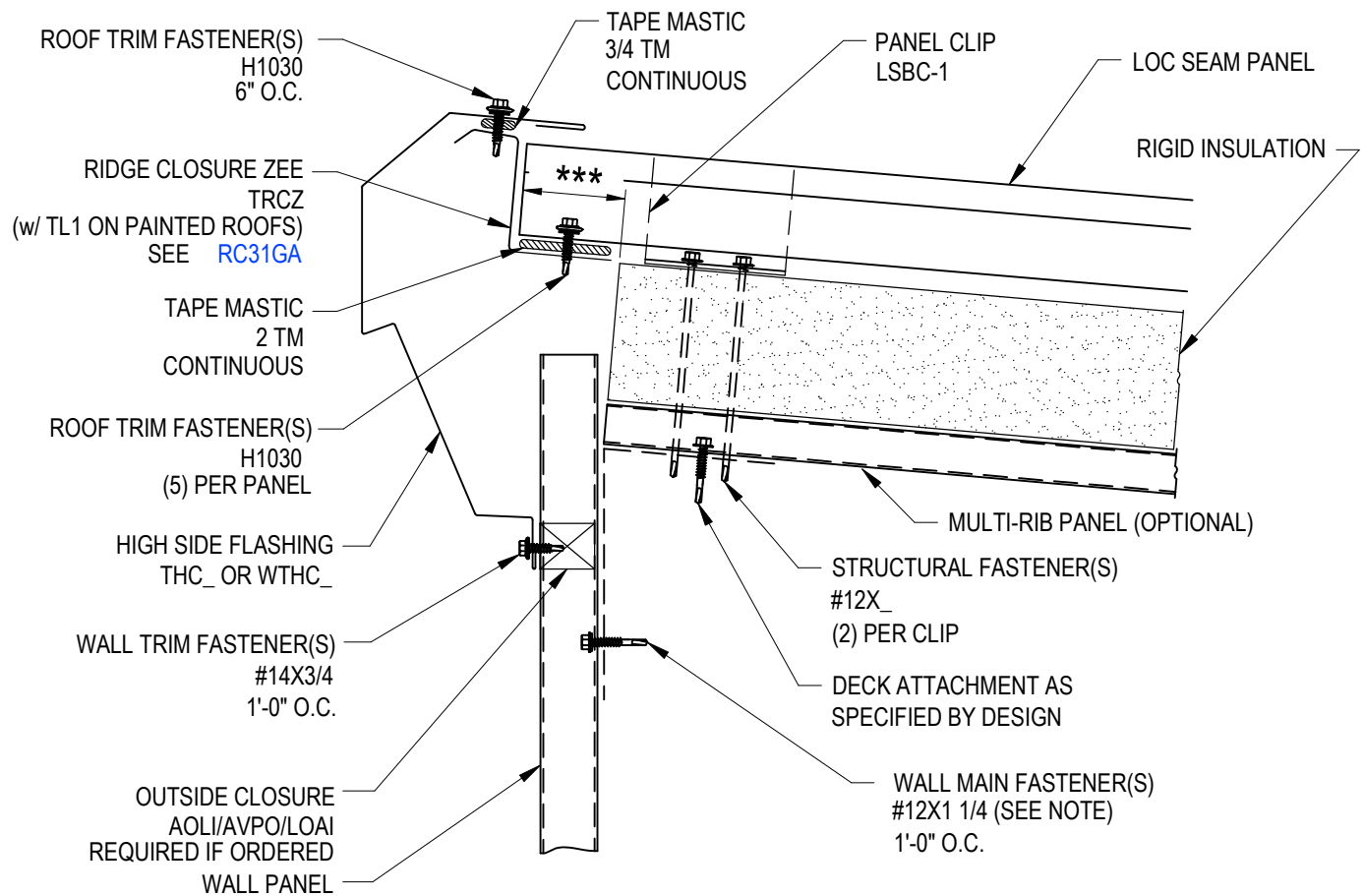
# AMERICAN BUILDINGS

A NUCOR COMPANY

# PRODUCT MANUAL

LOC SEAM PANEL

High Side Eave Detail  
Loc Seam Panel w/ Rigid Insulation  
EA01A/GA



\*\*\* - PANEL CUTBACK/EXTENSION VARIES. SEE ROOF PANEL LAYOUT.

NOTE: #12X2 FASTENER(S) w/ 6" INSULATION

## HIGH SIDE EAVE DETAIL

LOC SEAM ROOF WITH RIGID INSULATION

EA01A

GA

REFERENCE DETAIL: RC35GA

[Download the DWG file by clicking here.](#)

[To Section Index](#)

Revised: 03.05.21 (MR2021.03)





# AMERICAN BUILDINGS

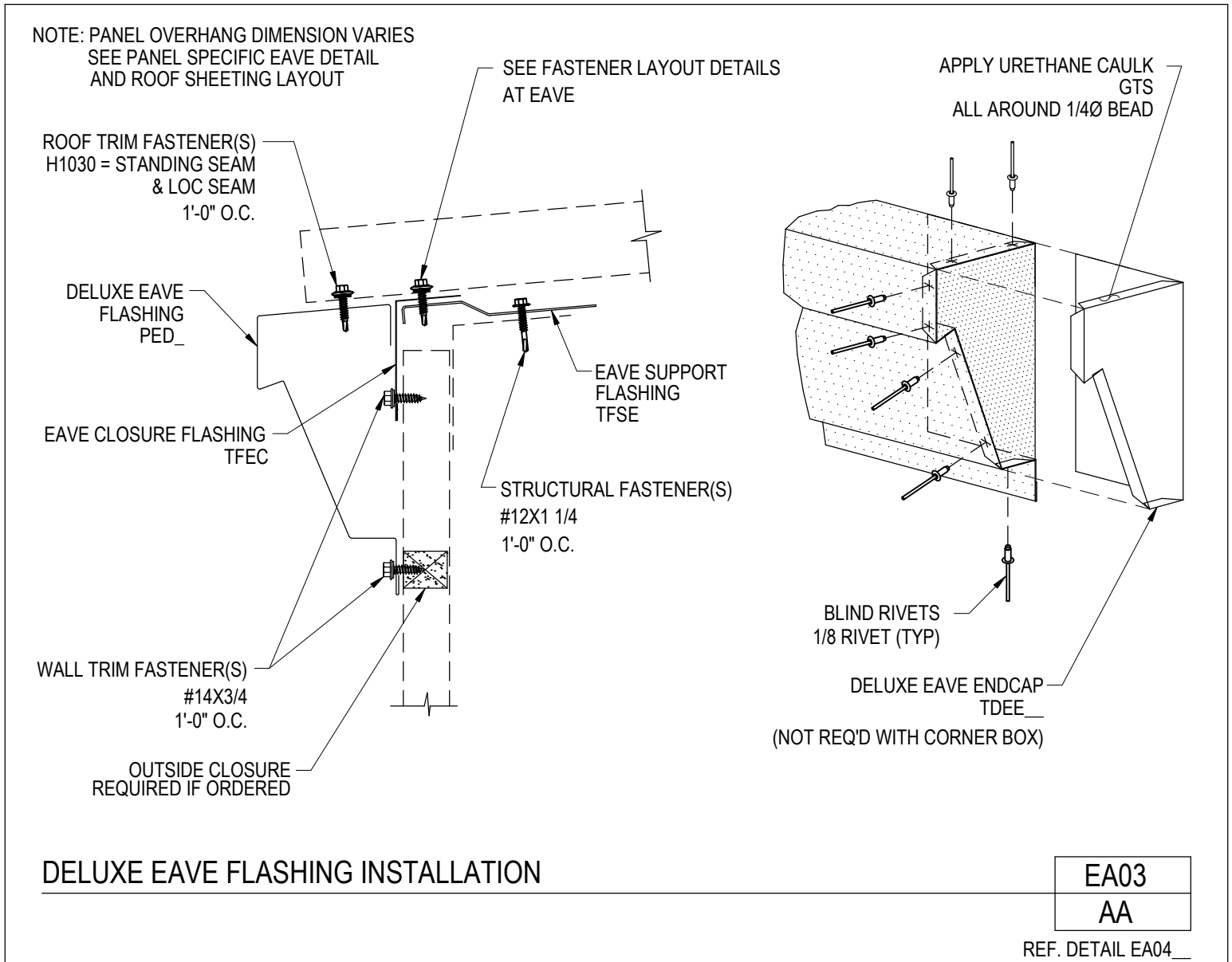
A NUCOR COMPANY

# PRODUCT MANUAL

LOC SEAM PANEL

## Deluxe Eave Flashing Installation

EA03/AA



[Download the DWG file by clicking here.](#)

[To Section Index](#)

Revised: 03.05.21 (MR2021.03)



**AMERICAN  
BUILDINGS**

A **NUCOR** COMPANY

**PRODUCT MANUAL**

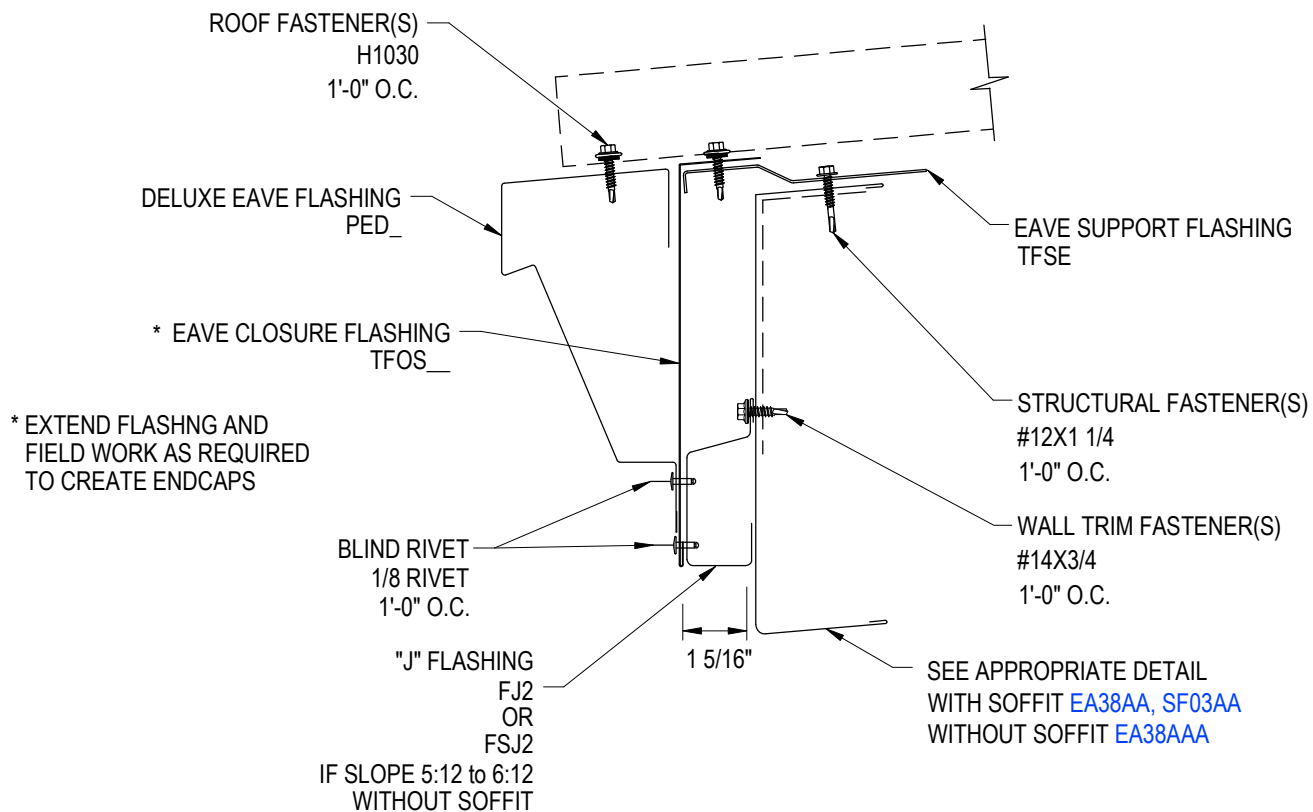
LOC SEAM PANEL

Deluxe Eave Flashing Installation

At Overhang

EA03A/AO

NOTE: PANEL OVERHANG DIMENSION VARIES  
SEE PANEL SPECIFIC EAVE DETAIL  
AND ROOF SHEETING LAYOUT



**DELUXE EAVE FLASHING INSTALLATION**

AT OVERHANG AND CANOPY

EA03A
AO

[Download the DWG file by clicking here.](#)

[To Section Index](#)



**AMERICAN  
BUILDINGS**

A **NUCOR** COMPANY

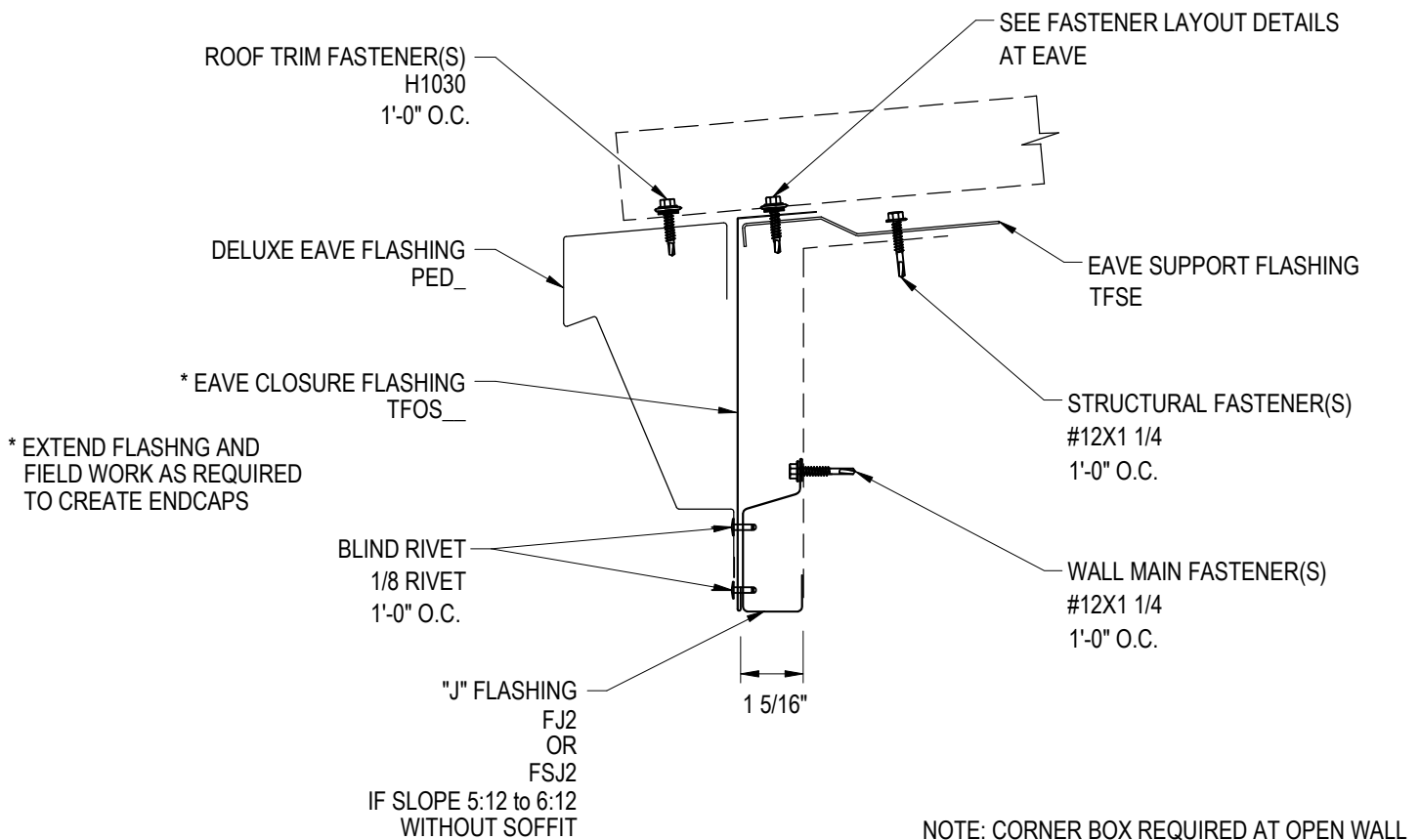
# PRODUCT MANUAL

LOC SEAM PANEL

## Deluxe Eave Flashing Installation at Open Sidewall

EA03/AO

NOTE: PANEL OVERHANG DIMENSION VARIES  
SEE PANEL SPECIFIC EAVE DETAIL  
AND ROOF SHEETING LAYOUT



## DELUXE EAVE FLASHING INSTALLATION AT OPEN SIDEWALL

STANDING SEAM & LOC SEAM ROOF PANELS

EA03

AO

[Download the DWG file by clicking here.](#)

[To Section Index](#)



# AMERICAN BUILDINGS

A NUCOR COMPANY

# PRODUCT MANUAL

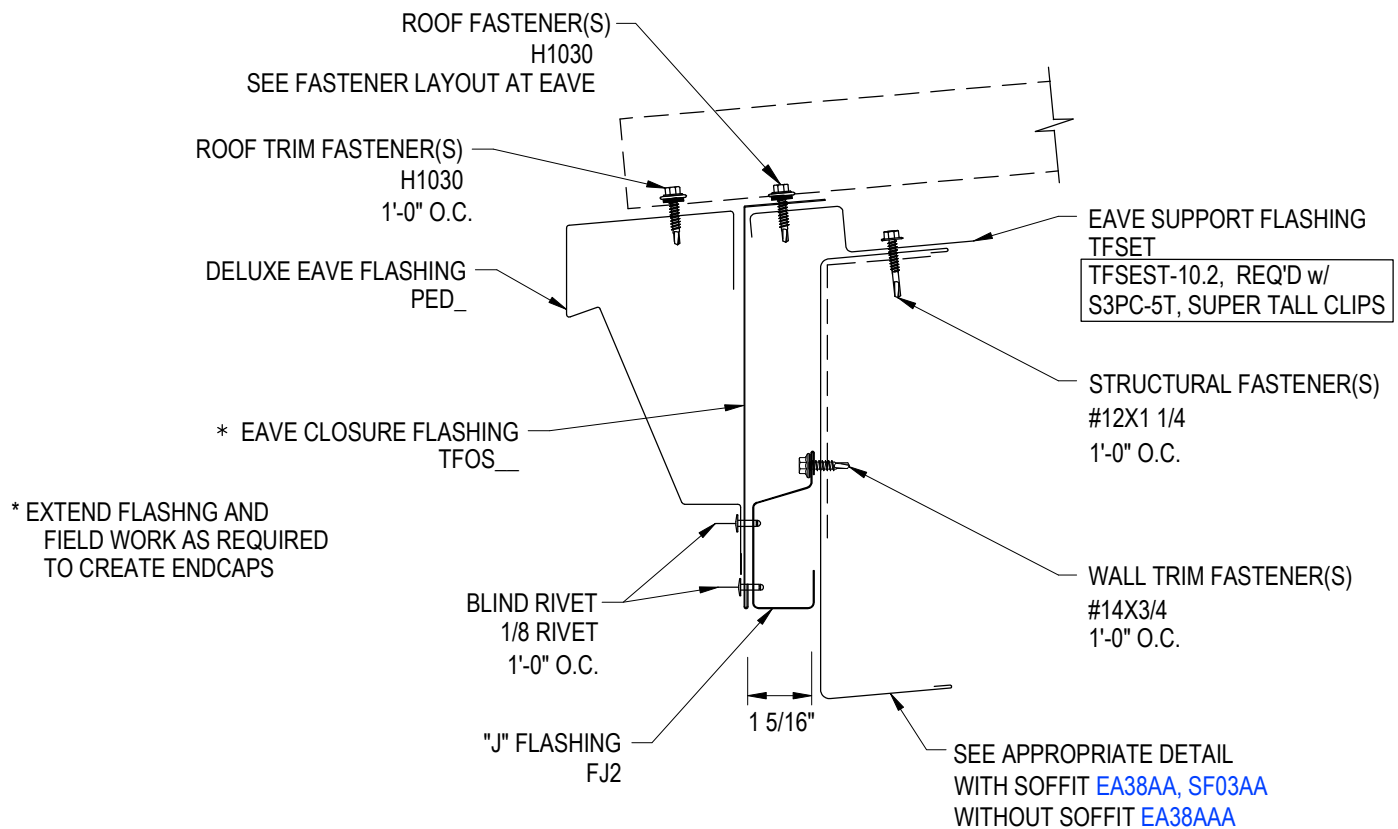
STANDING SEAM ROOF PANEL

## Deluxe Eave Flashing Installation

At Overhang w/ Thermal Blocks (TB1T, TB2T, OR TB3T) at Purlins

EA03CA/AO

NOTE: PANEL OVERHANG DIMENSION VARIES  
SEE PANEL SPECIFIC EAVE DETAIL  
AND ROOF SHEETING LAYOUT



## DELUXE EAVE FLASHING INSTALLATION

AT OVERHANG AND CANOPY w/ THERMAL BLOCKS (TB1T, TB2T OR TB3T) AT PURLINS

EA03CA  
AO

[Download the DWG file by clicking here.](#)

[To Section Index](#)

Revised: 03.05.21 (MR2021.03)



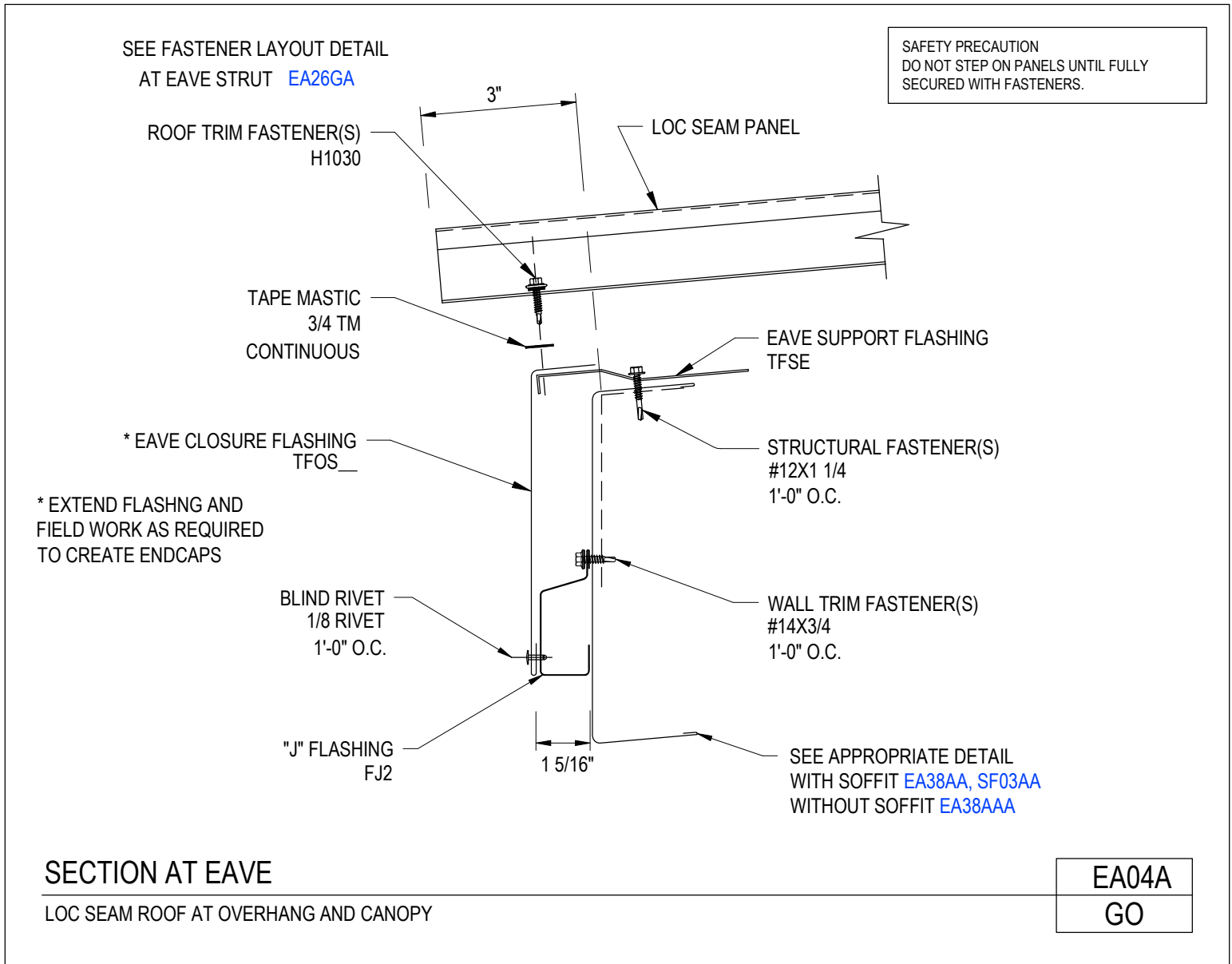
# AMERICAN BUILDINGS

A NUCOR COMPANY

# PRODUCT MANUAL

LOC SEAM PANEL

Section at Eave  
Loc Seam Roof at Overhang  
EA04A/GO



[Download the DWG file by clicking here.](#)

[To Section Index](#)



# AMERICAN BUILDINGS

A NUCOR COMPANY

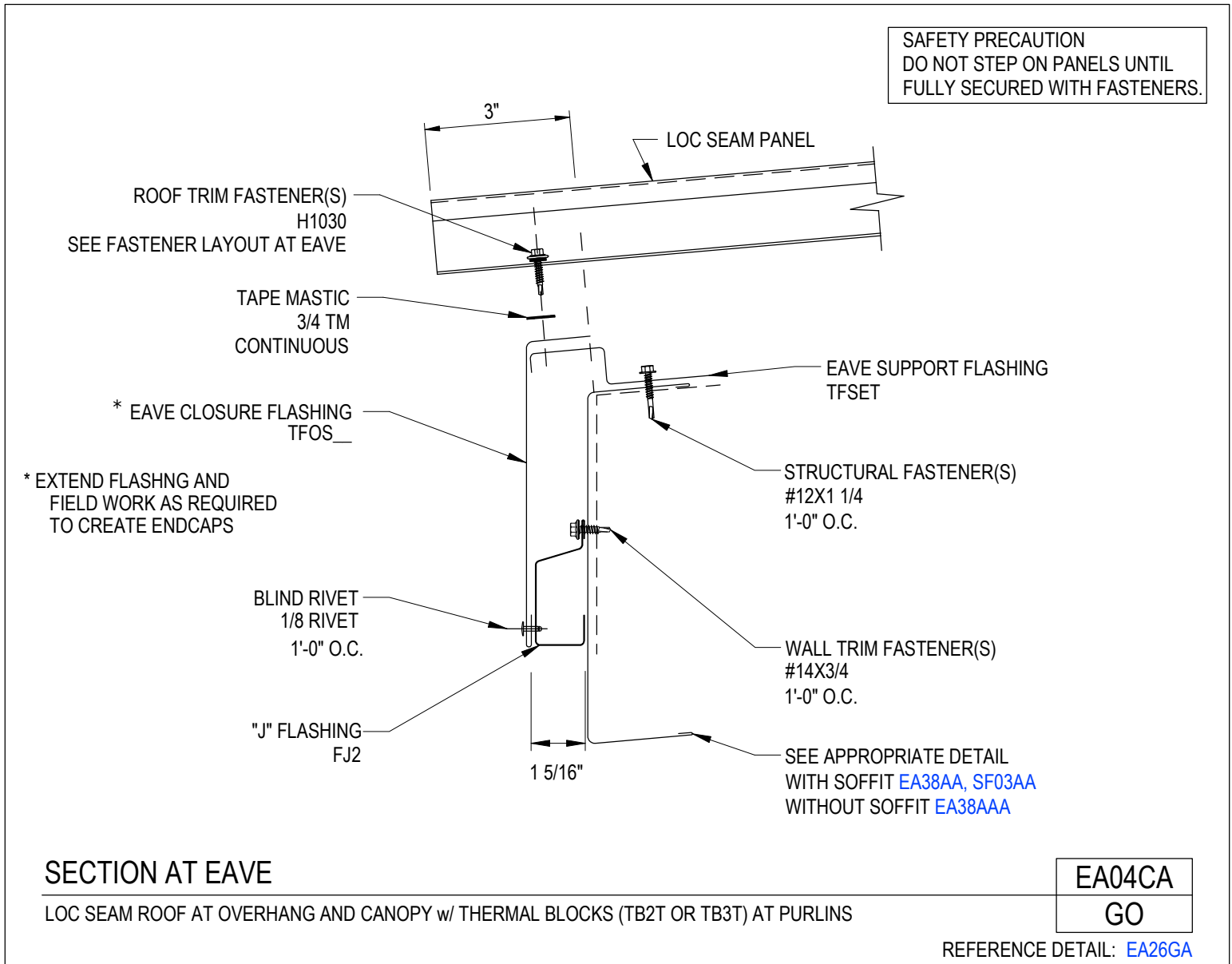
# PRODUCT MANUAL

LOC SEAM PANEL

## Section at Eave

Loc Seam Roof at Overhang w/ Thermal Blocks (TB2T or TB3T) at Purlins

EA04CA/GO



[Download the DWG file by clicking here.](#)

[To Section Index](#)



# AMERICAN BUILDINGS

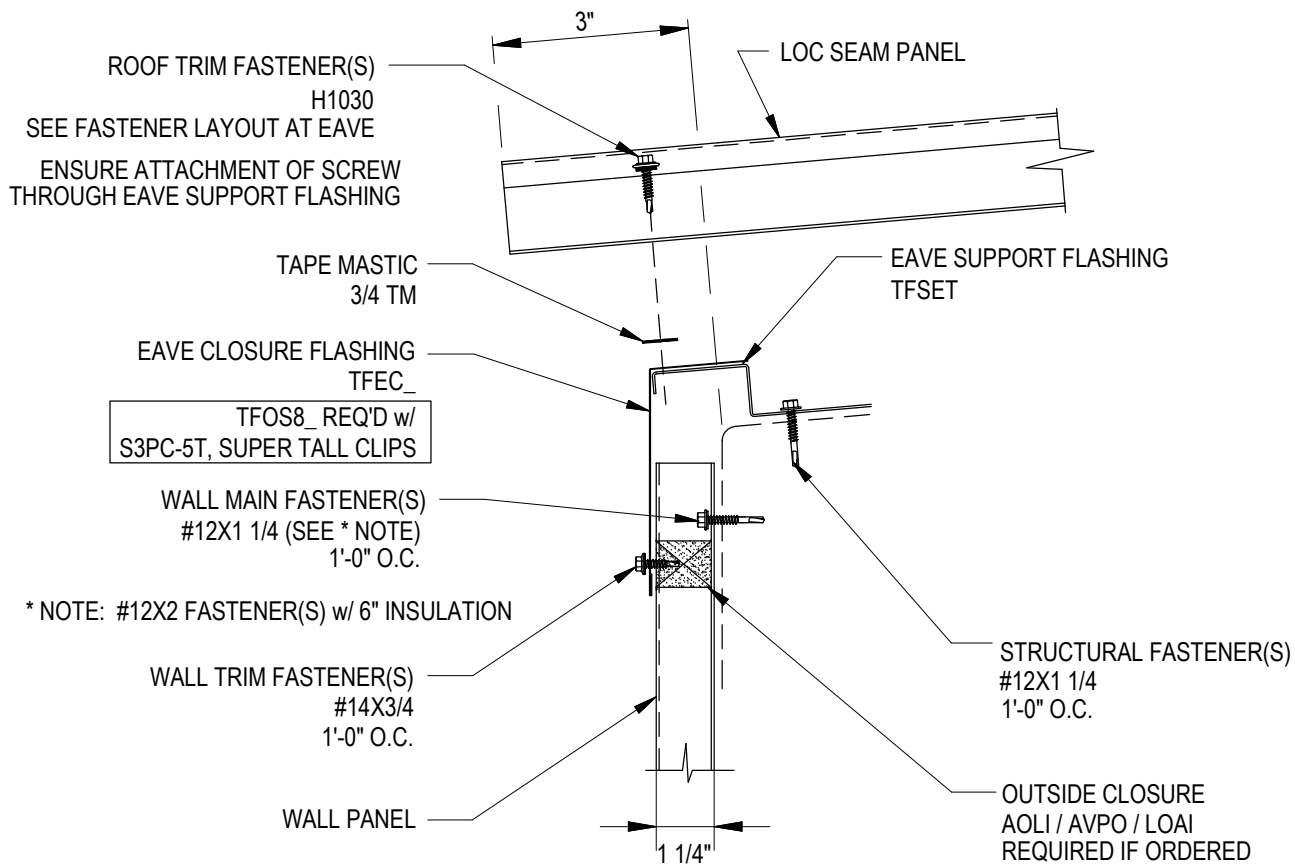
A NUCOR COMPANY

# PRODUCT MANUAL

LOC SEAM PANEL

Simple Eave w/ Thermal Blocks (TB2T or TB3T) at Purlins  
Loc Seam Roof / Architectural III, Architectural "V" Rib or Longspan III Walls  
EA04C/GB

SAFETY PRECAUTION  
DO NOT STEP ON PANELS UNTIL  
FULLY SECURED WITH FASTENERS.



## SIMPLE AT EAVE w/ THERMAL BLOCKS (TB2T OR TB3T) AT PURLINS

LOC SEAM ROOF / ARCHITECTURAL III, ARCHITECTURAL "V" RIB OR LONG SPAN III WALLS

EA04C

GB

REFERENCE DETAIL: EA26GA

[Download the DWG file by clicking here.](#)

[To Section Index](#)



# AMERICAN BUILDINGS

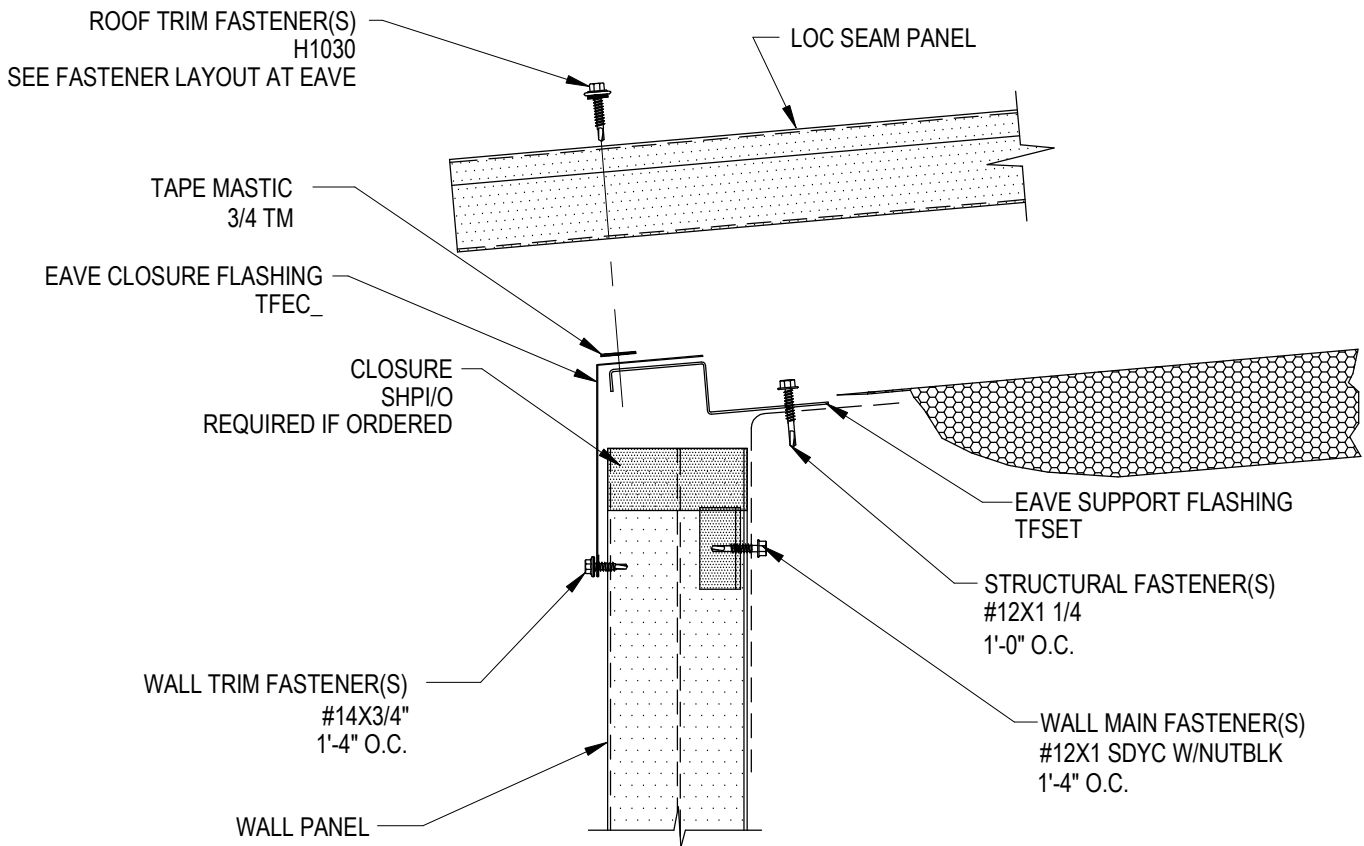
A NUCOR COMPANY

# PRODUCT MANUAL

LOC SEAM PANEL

Section at Eave w/ Thermal Blocks (TB2T or TB3T) at Purlins  
Loc Seam Roof / Shadow Panel Walls  
EA04C/GD

SAFETY PRECAUTION  
DO NOT STEP ON PANELS UNTIL  
FULLY SECURED WITH FASTENERS.



## SECTION AT EAVE w/ THERMAL BLOCKS (TB2T OR TB3T) AT PURLINS

LOC SEAM ROOF / SHADOW PANEL WALLS

EA04C

GD

REFERENCE DETAIL: [EA26GA](#)

[Download the DWG file by clicking here.](#)

[To Section Index](#)





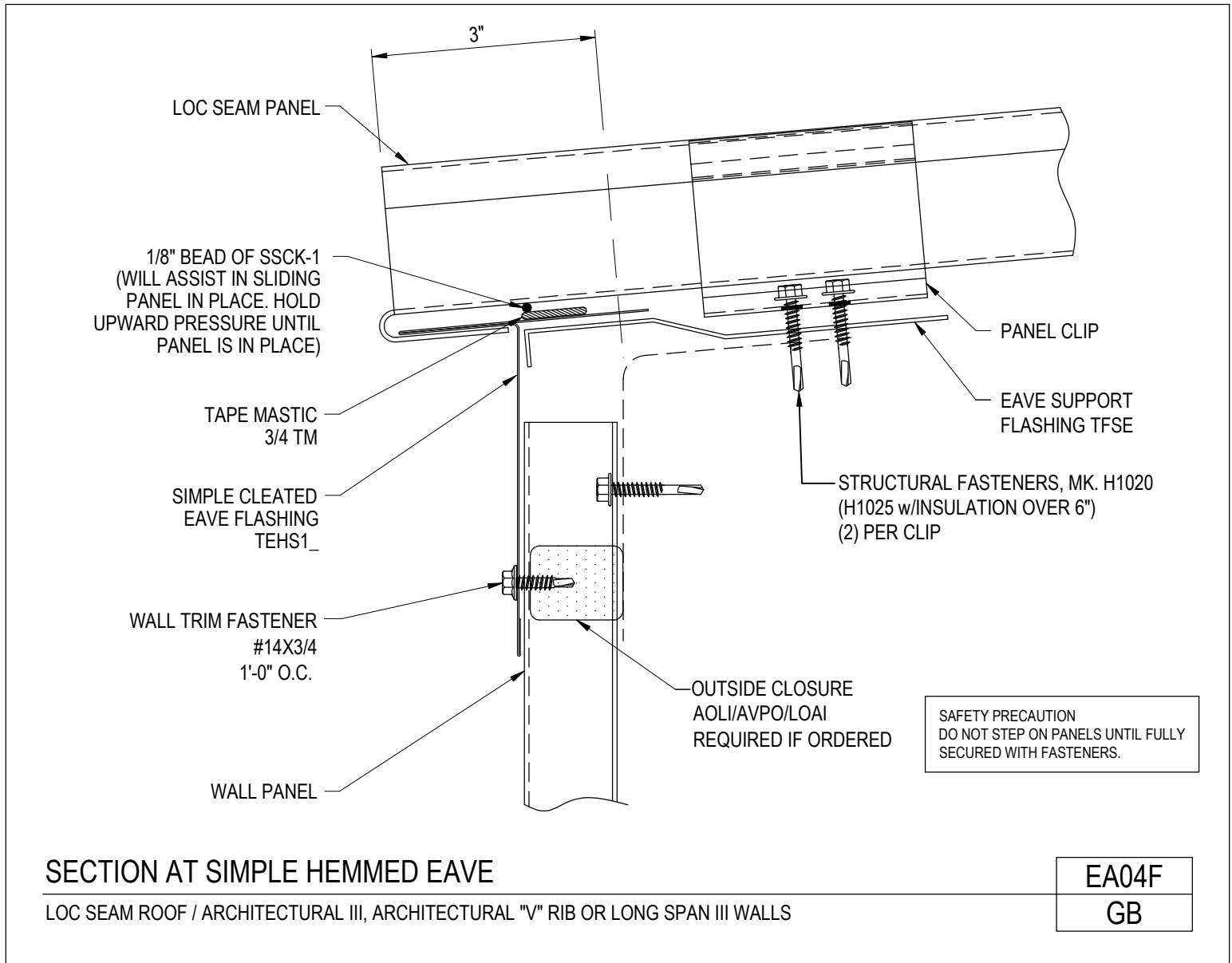
**AMERICAN  
BUILDINGS**

A **NUCOR** COMPANY

# PRODUCT MANUAL

LOC SEAM PANEL

Section at Simple Hemmed Eave  
Loc Seam Panel / Architectural III, Architectural "V" Rib or Long Span III Walls  
EA04F/GB



[Download the DWG file by clicking here.](#)

[To Section Index](#)



**AMERICAN  
BUILDINGS**

A **NUCOR** COMPANY

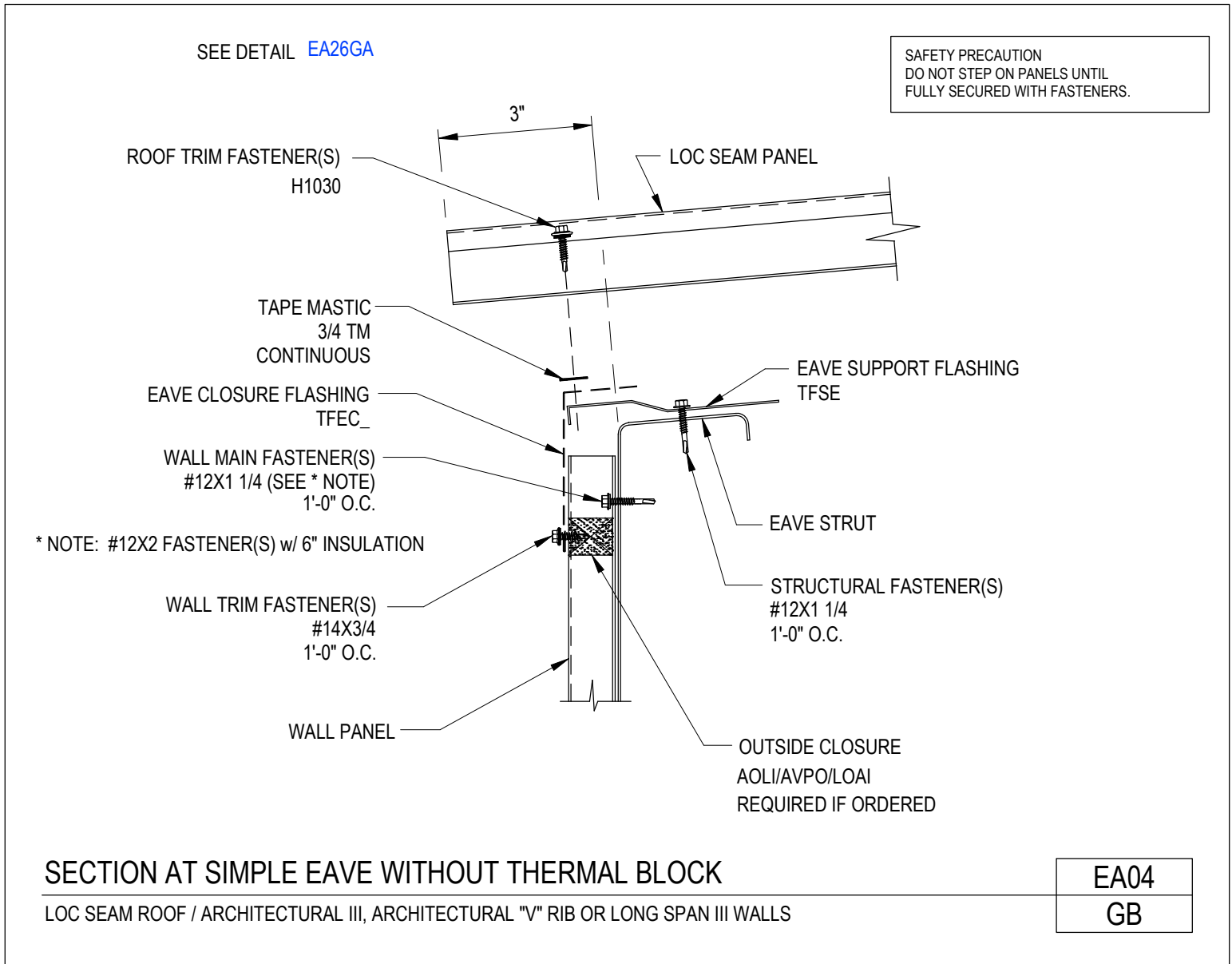
# PRODUCT MANUAL

LOC SEAM PANEL

## Section at Simple Eave Without Thermal Block

Loc Seam Roof / Architectural III, Architectural "V" Rib or Long Span III Walls

EA04/GB



[Download the DWG file by clicking here.](#)

[To Section Index](#)



# AMERICAN BUILDINGS

A NUCOR COMPANY

# PRODUCT MANUAL

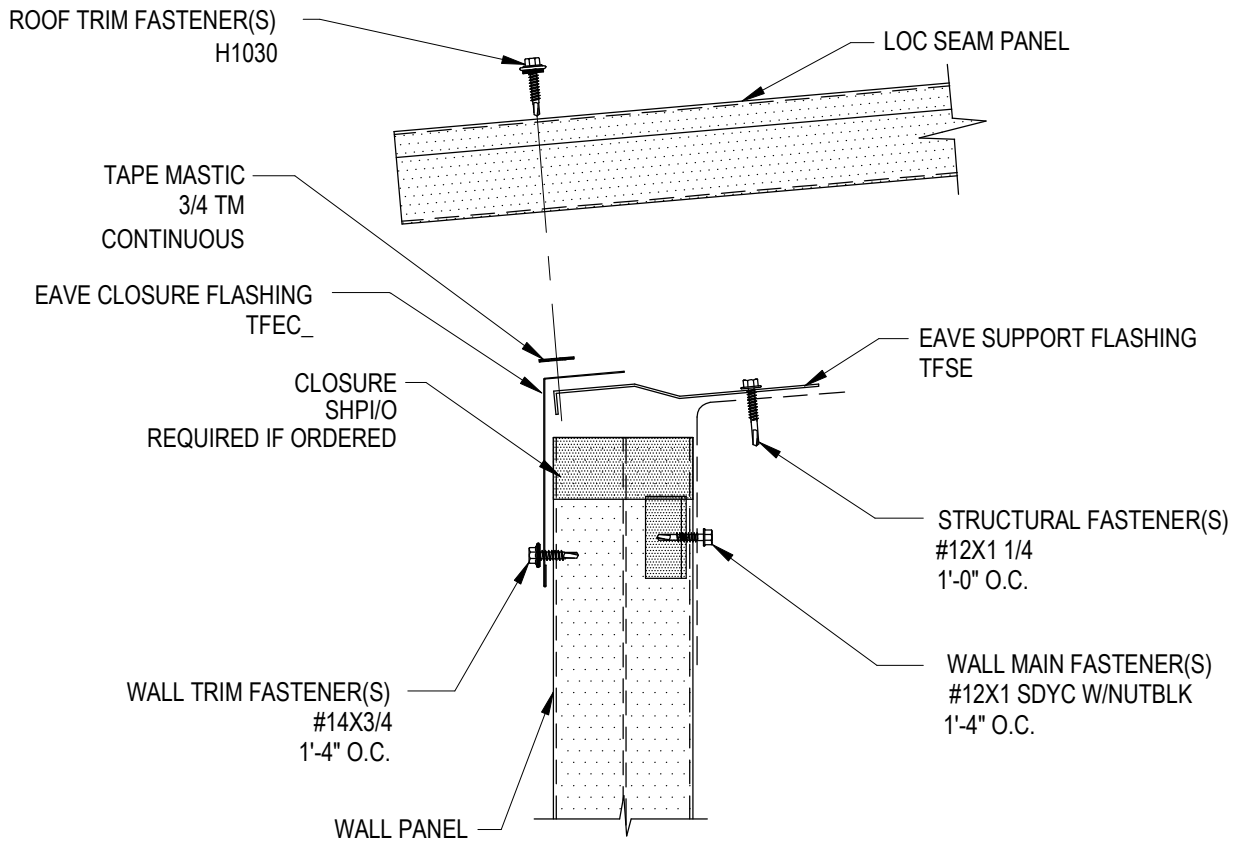
LOC SEAM PANEL

Section at Simple Eave Without Thermal Block  
Loc Seam Roof / Shadow Panel Walls  
EA04/GD

NOTE: SEE DETAIL

EA26GA

SAFETY PRECAUTION  
DO NOT STEP ON PANELS UNTIL  
FULLY SECURED WITH FASTENERS.



## SECTION AT SIMPLE EAVE WITHOUT THERMAL BLOCK

LOC SEAM ROOF / SHADOW PANEL WALLS

EA04

GD

[Download the DWG file by clicking here.](#)

[To Section Index](#)



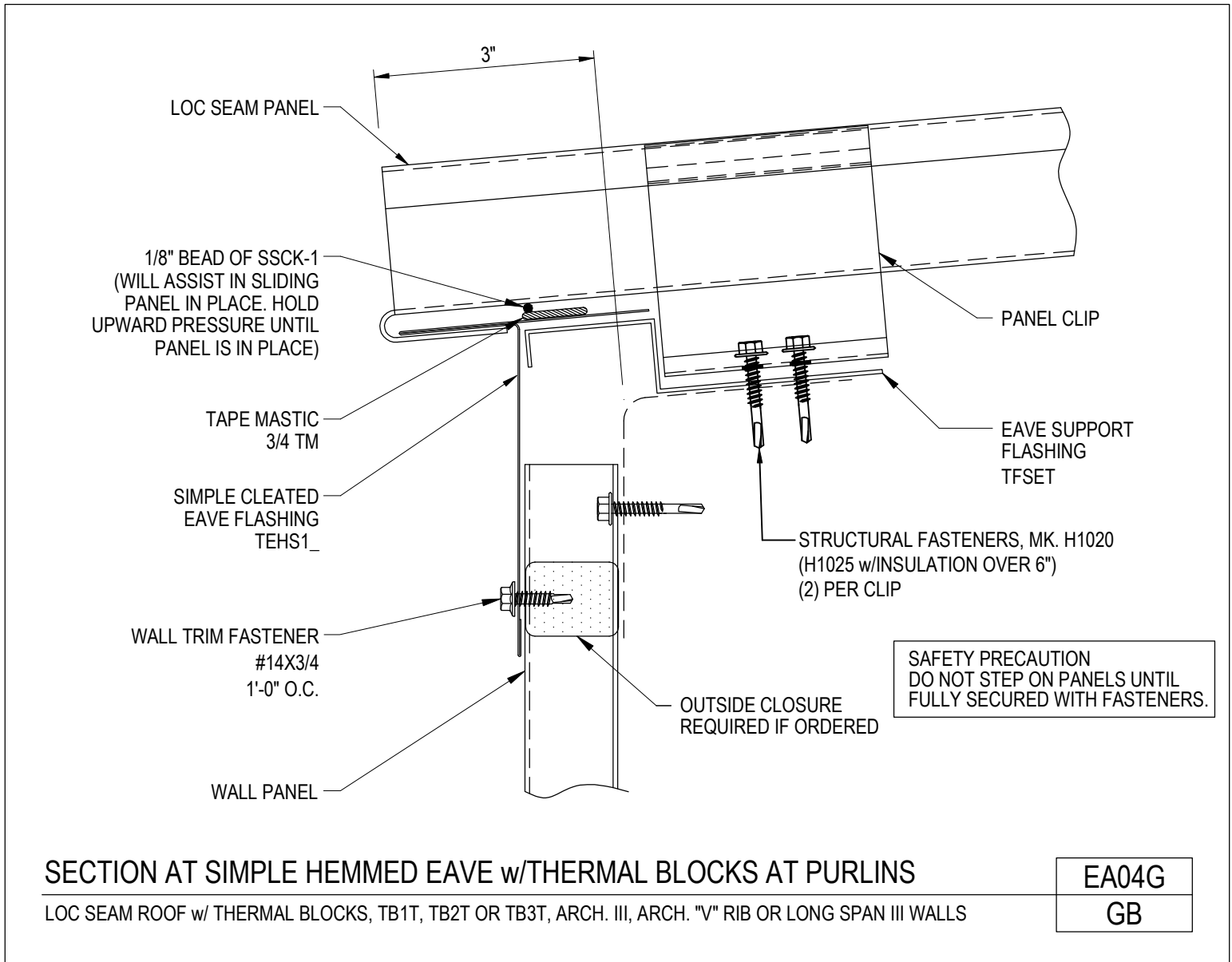
**AMERICAN  
BUILDINGS**

A **NUCOR** COMPANY

# PRODUCT MANUAL

LOC SEAM PANEL

Section at Simple Hemmed Eave w/ Thermal Blocks at Purlins  
Loc Seam Roof w/ Thermal Blocks TB1T, TB2T or TB3T, Arch III, Arch "V" Rib or Longspan III Walls  
EA04G/GB



[Download the DWG file by clicking here.](#)

[To Section Index](#)



**AMERICAN BUILDINGS**

A **NUCOR** COMPANY

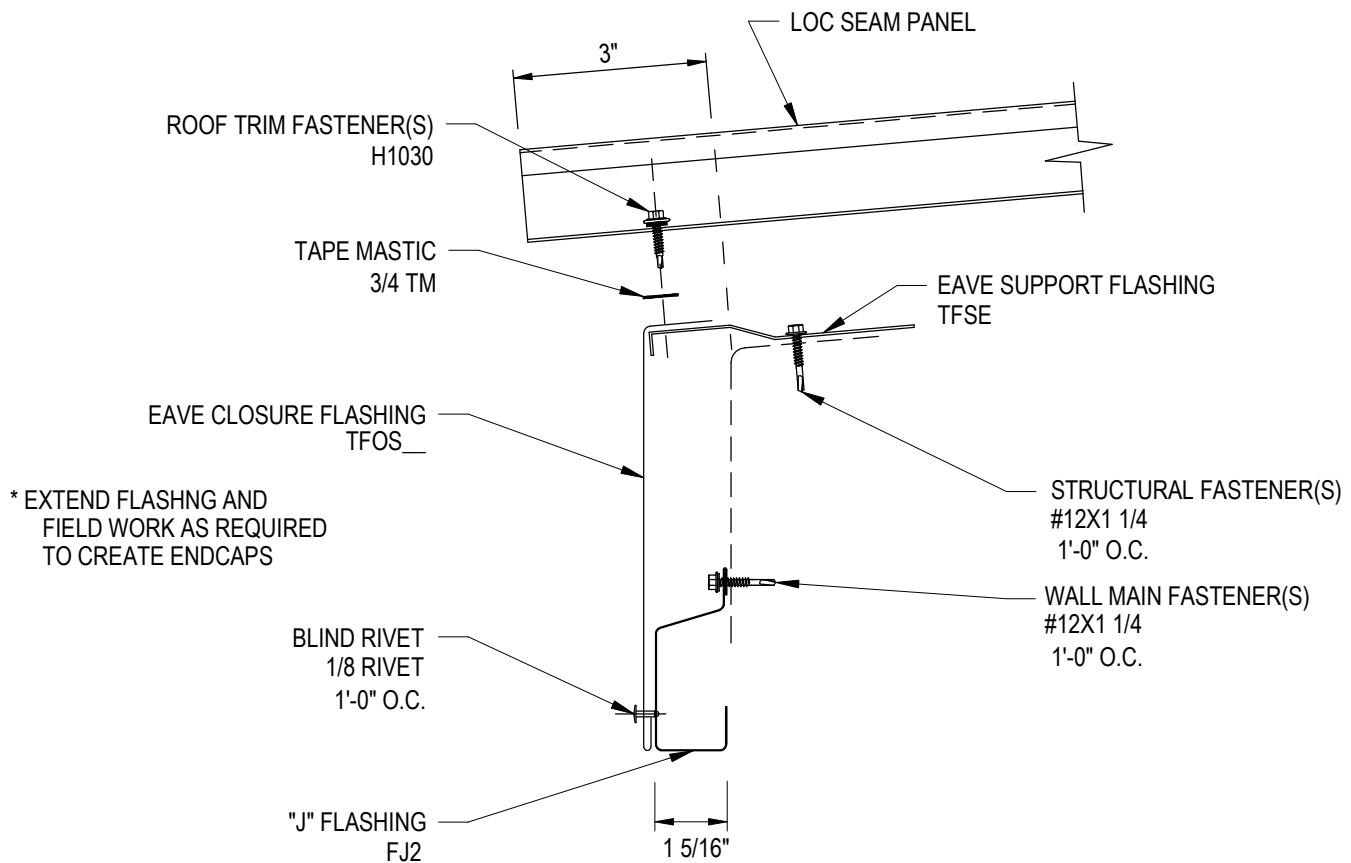
# PRODUCT MANUAL

LOC SEAM PANEL

Simple Eave  
Loc Seam Roof / Open Sidewall  
EA04/GO

NOTE: SEE DETAIL [EA26GA](#)

SAFETY PRECAUTION  
DO NOT STEP ON PANELS UNTIL  
FULLY SECURED WITH FASTENERS.



## SIMPLE EAVE

LOC SEAM ROOF / OPEN SIDEWALL

EA04
GO

[Download the DWG file by clicking here.](#)

[To Section Index](#)



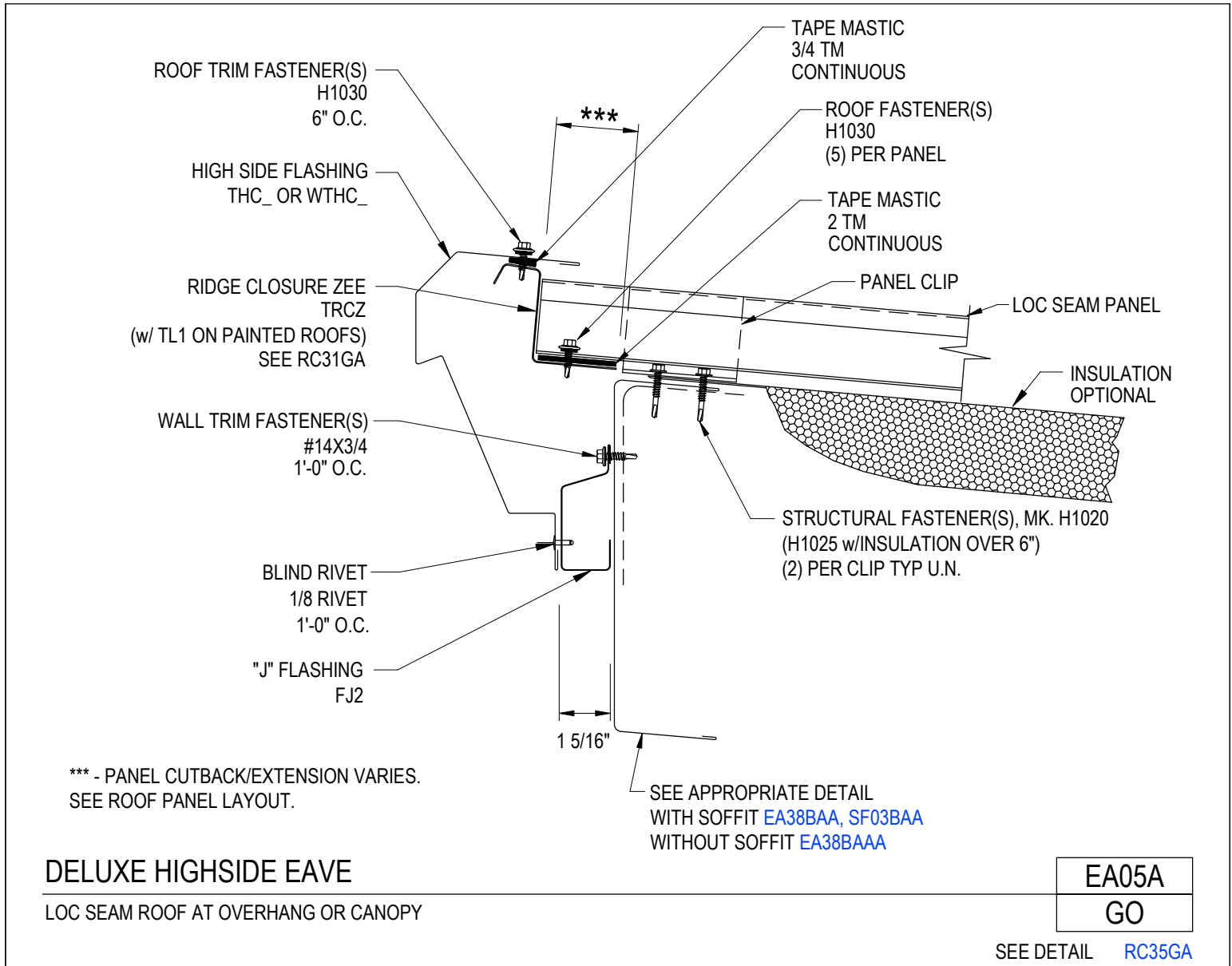
# AMERICAN BUILDINGS

A **NUCOR** COMPANY

# PRODUCT MANUAL

LOC SEAM PANEL

Deluxe Highside Eave  
Loc Seam Roof at Overhang  
EA05A/GO



## DELUXE HIGHSIDE EAVE

LOC SEAM ROOF AT OVERHANG OR CANOPY

[Download the DWG file by clicking here.](#)

[To Section Index](#)



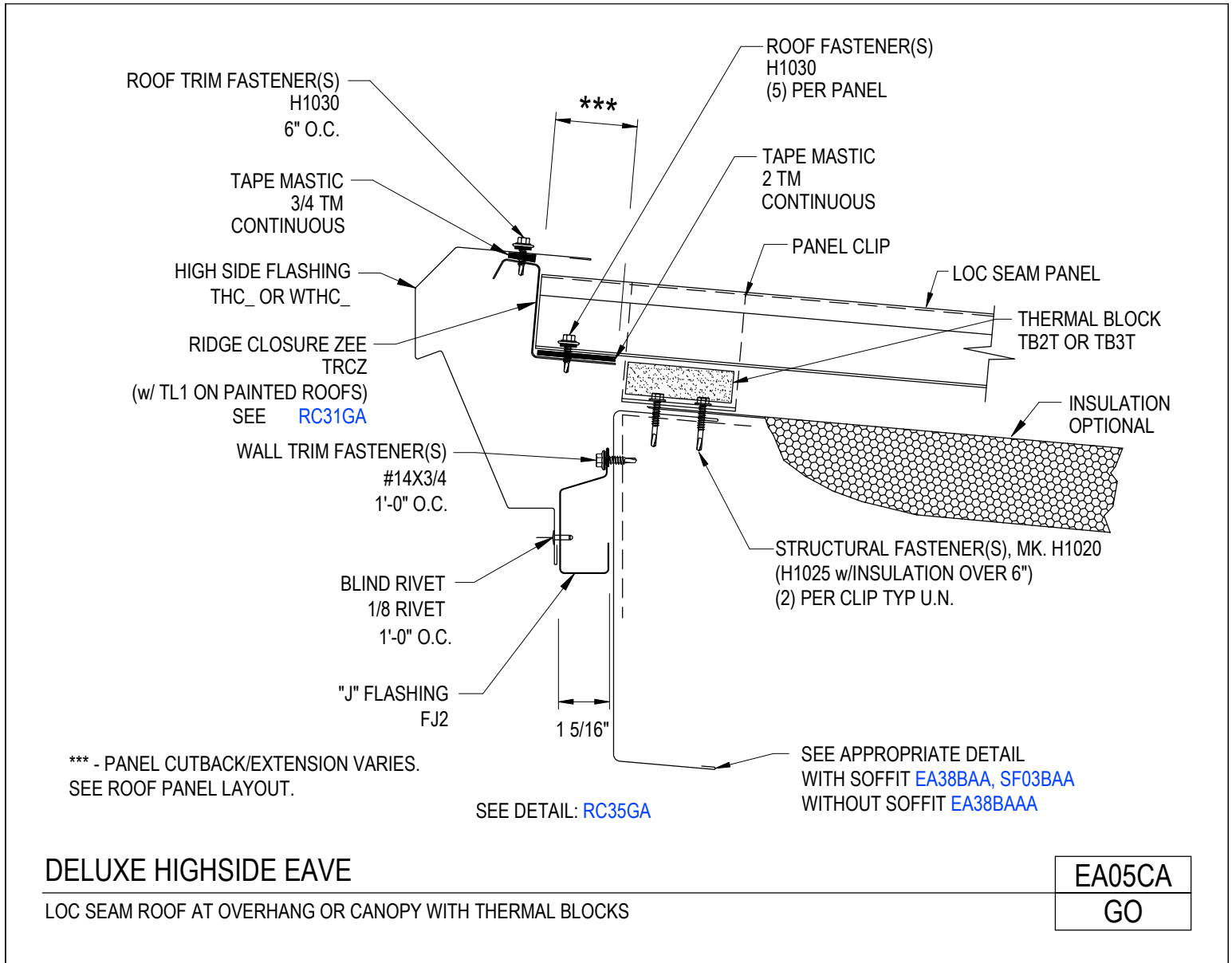
# AMERICAN BUILDINGS

A NUCOR COMPANY

# PRODUCT MANUAL

LOC SEAM PANEL

Deluxe High Side Eave  
Loc Seam Roof at Overhang w/ Thermal Blocks  
EA05CA/GO



[Download the DWG file by clicking here.](#)

[To Section Index](#)



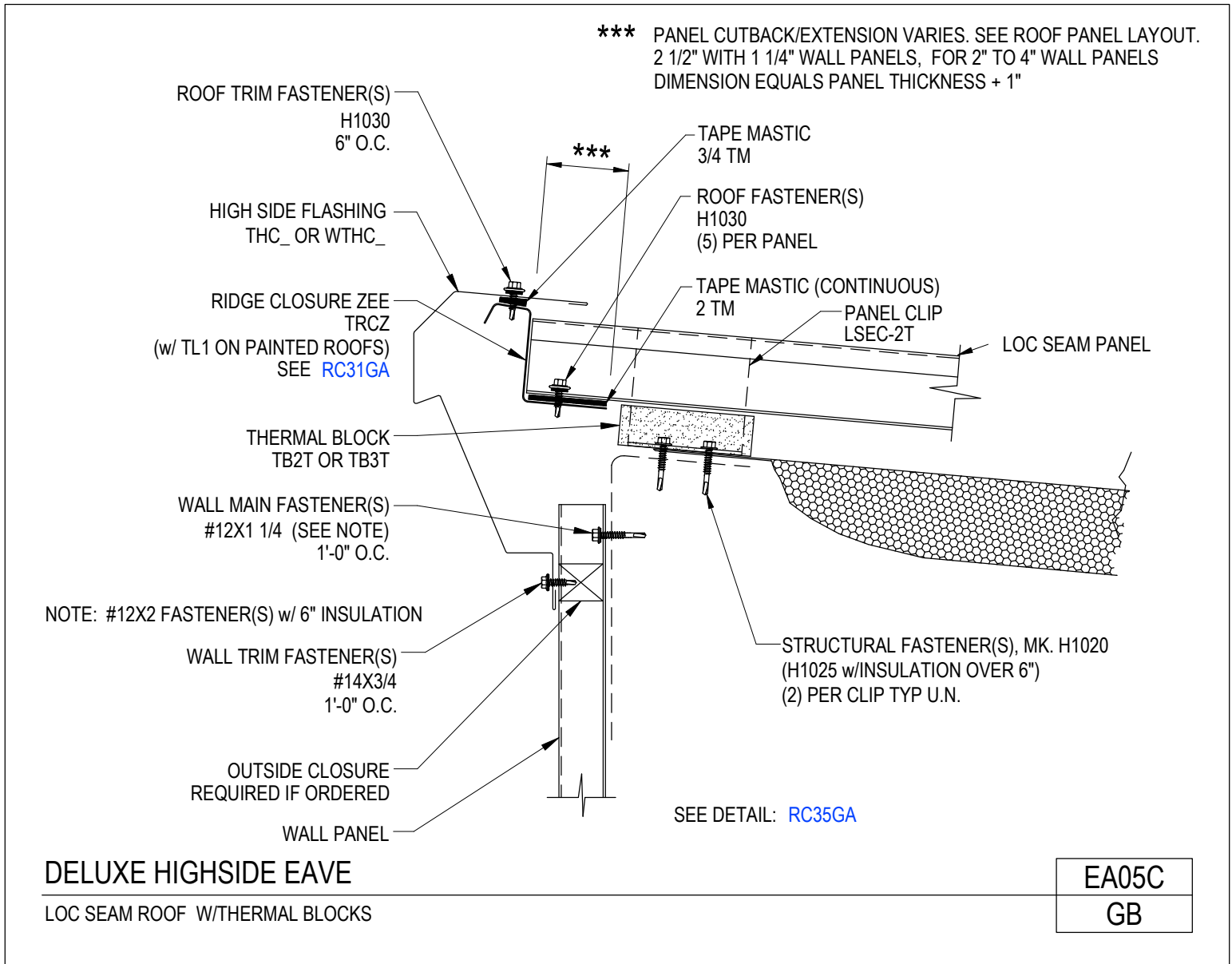
# AMERICAN BUILDINGS

A NUCOR COMPANY

# PRODUCT MANUAL

LOC SEAM PANEL

Deluxe High Side Eave  
Loc Seam Roof w/ Thermal Blocks  
EA05C/GB



[Download the DWG file by clicking here.](#)

[To Section Index](#)

Revised: 03.05.21 (MR2021.03)





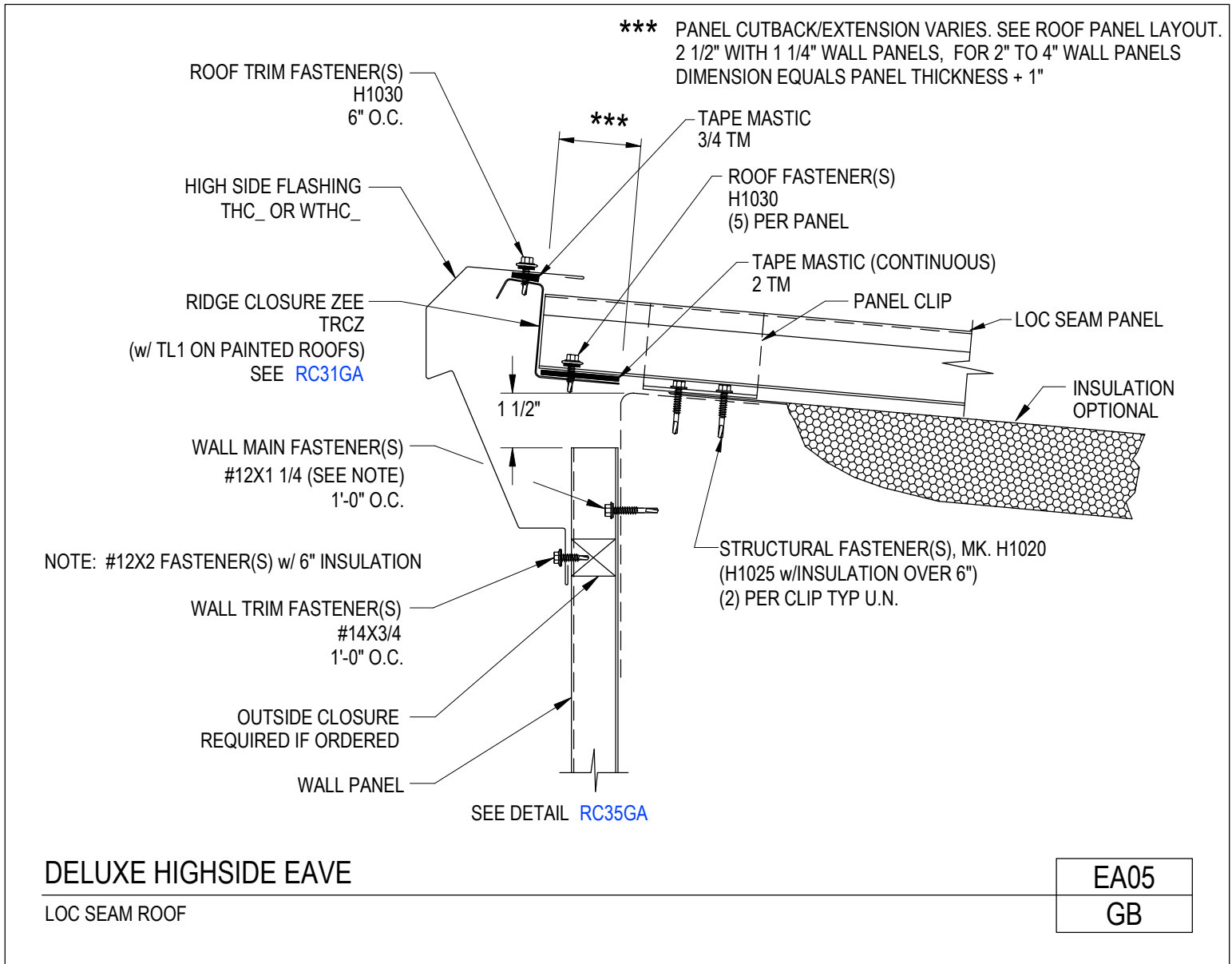
# AMERICAN BUILDINGS

A NUCOR COMPANY

# PRODUCT MANUAL

LOC SEAM PANEL

Deluxe Highside Eave  
Loc Seam Panel  
EA05/GB



[Download the DWG file by clicking here.](#)

[To Section Index](#)



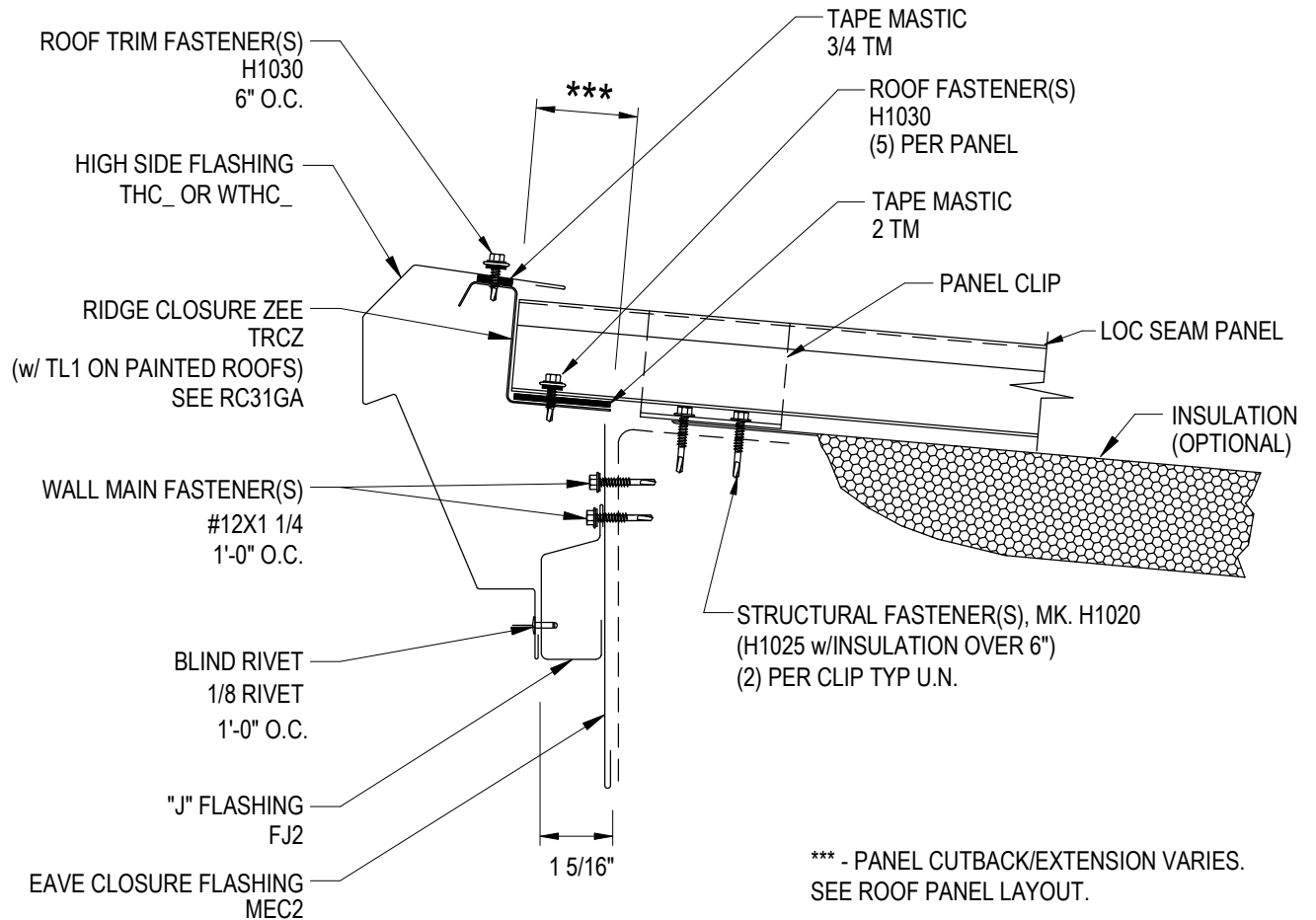
# AMERICAN BUILDINGS

A NUCOR COMPANY

# PRODUCT MANUAL

LOC SEAM PANEL

Deluxe Highside Eave  
Loc Seam Roof / at Open Sidewall  
EA05/GO



NOTE: SEE DETAIL [RC35GA](#)

## DELUXE HIGHSIDE EAVE

LOC SEAM ROOF / AT OPEN SIDEWALL

EA05

GO

[Download the DWG file by clicking here.](#)

[To Section Index](#)



**AMERICAN  
BUILDINGS**

A **NUCOR** COMPANY

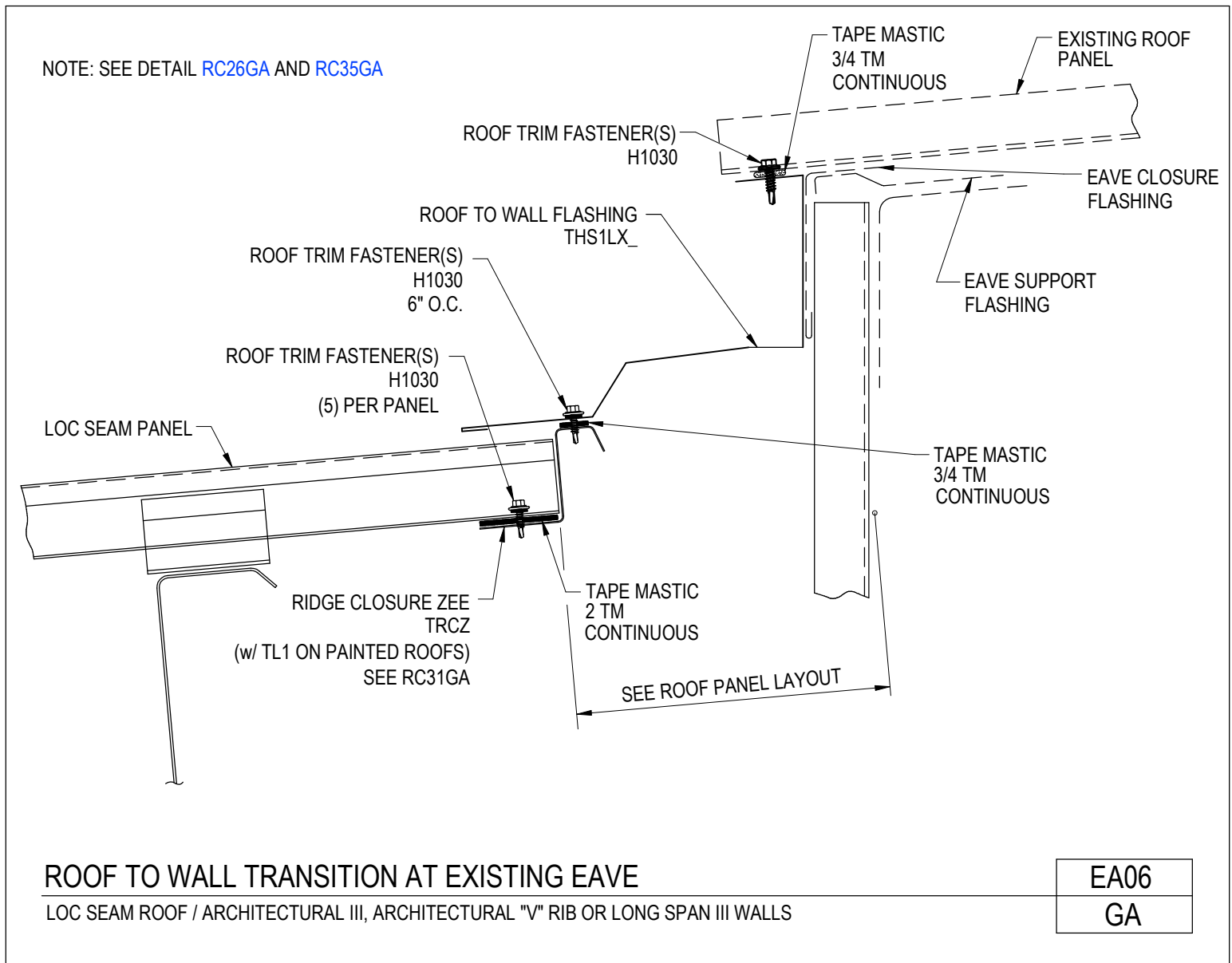
# PRODUCT MANUAL

LOC SEAM PANEL

## Roof to Wall Transition at Existing Eave

Loc Seam Roof/Architectural III, Architectural "V" Rib or Long Span III Walls

EA06/GA



[Download the DWG file by clicking here.](#)

[To Section Index](#)



**AMERICAN  
BUILDINGS**

A **NUCOR** COMPANY

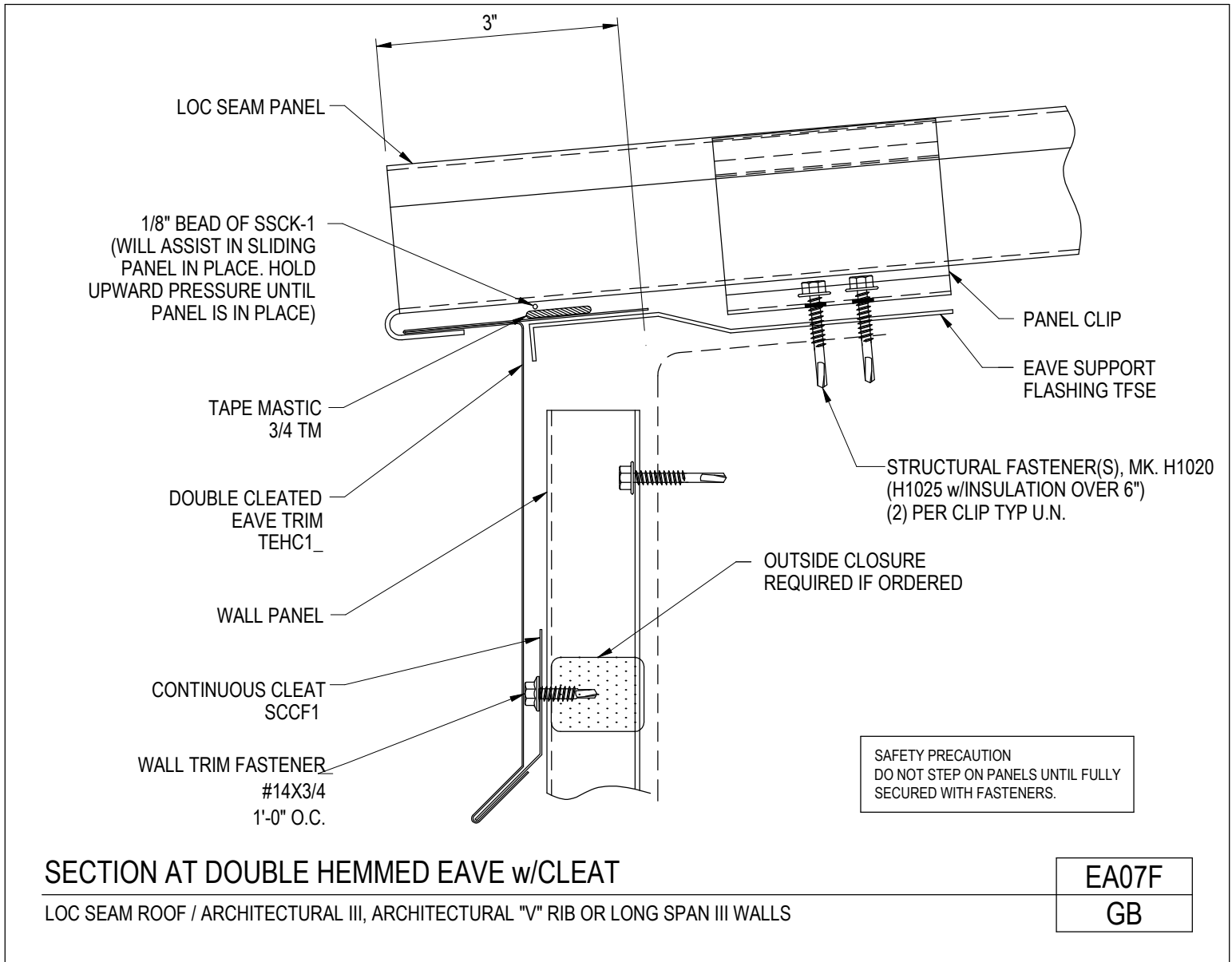
# PRODUCT MANUAL

LOC SEAM PANEL

Section at Double Hemmed Eave w/ Cleat

Loc Seam Roof / Architectural III, Architectural "V" Rib or Longspan III Walls

EA07F/GB



[Download the DWG file by clicking here.](#)

[To Section Index](#)

Revised: 03.05.21 (MR2021.03)



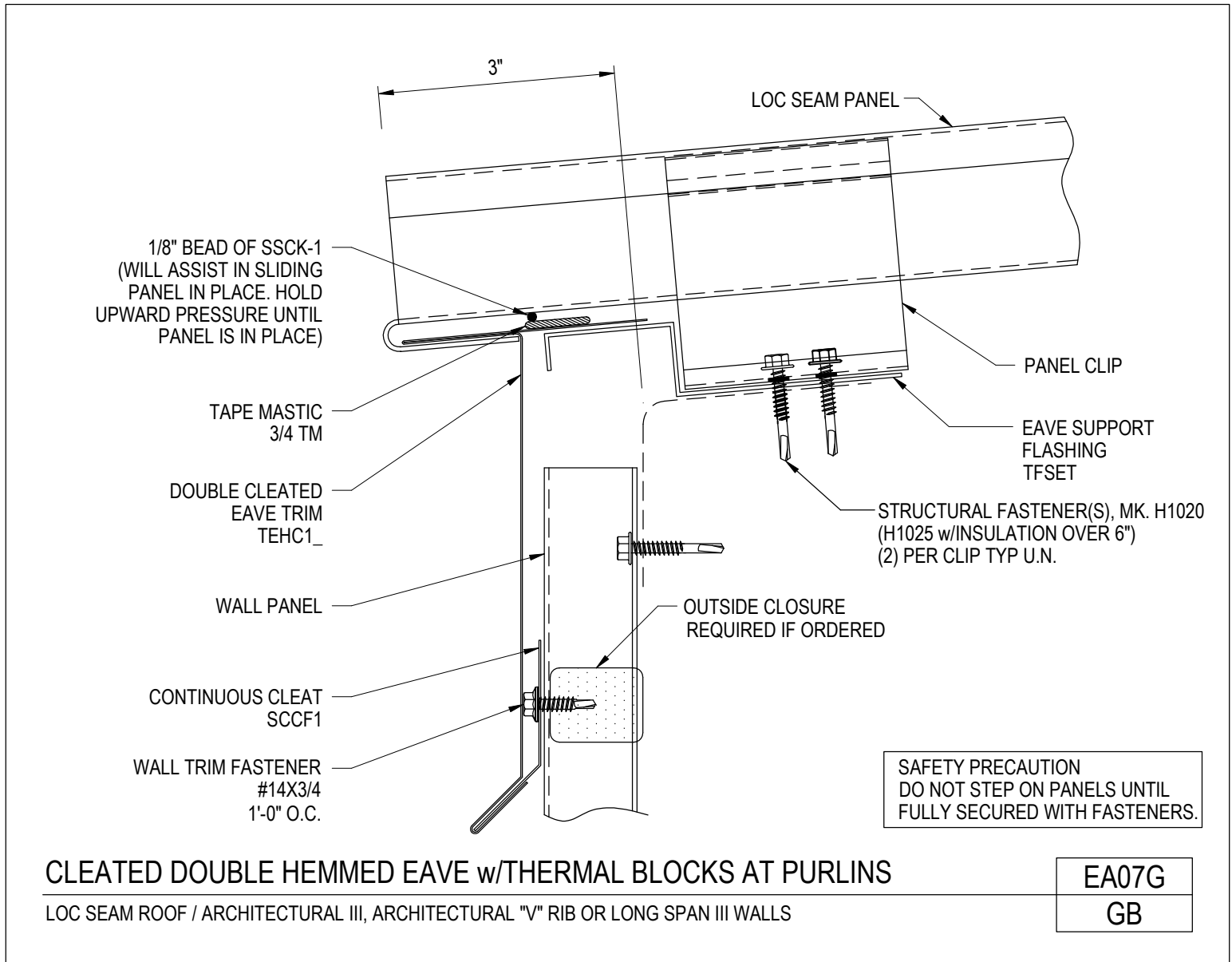
**AMERICAN  
BUILDINGS**

A **NUCOR** COMPANY

# PRODUCT MANUAL

LOC SEAM PANEL

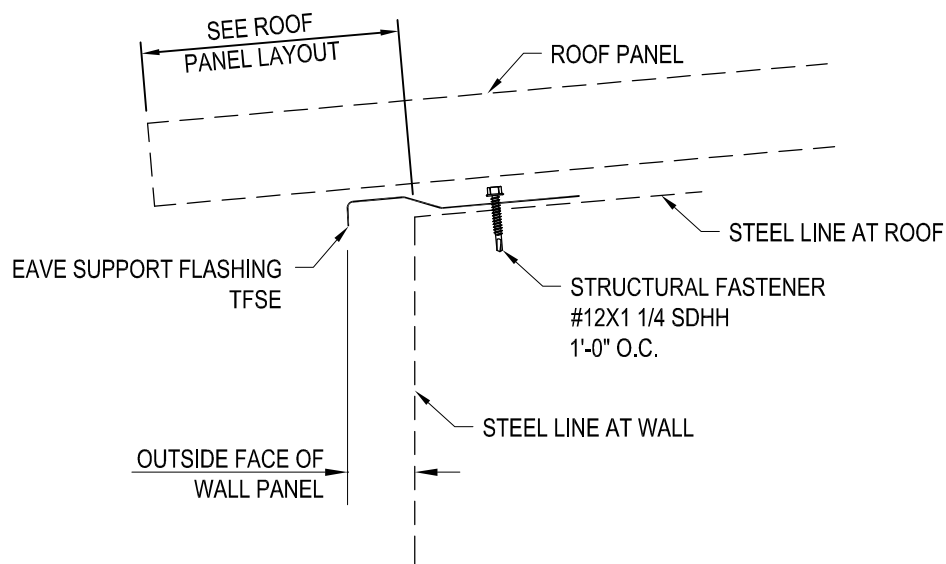
Cleated Double Hemmed Eave w/ Thermal Blocks at Purlins  
Loc Seam Roof / Architectural III, Architectural "V" Rib or Longspan III Walls  
EA07G/GB



[Download the DWG file by clicking here.](#)

[To Section Index](#)

Eave Support Flashing Attachment  
Architectural III, Architectural "V" Rib or Long Span III Wall Panels / All Roof Panels  
EA10/AA



NOTE: EAVE SUPPORT FLASHING NOT REQUIRED AT LONG SPAN III ROOFS.

## EAVE SUPPORT FLASHING ATTACHMENT

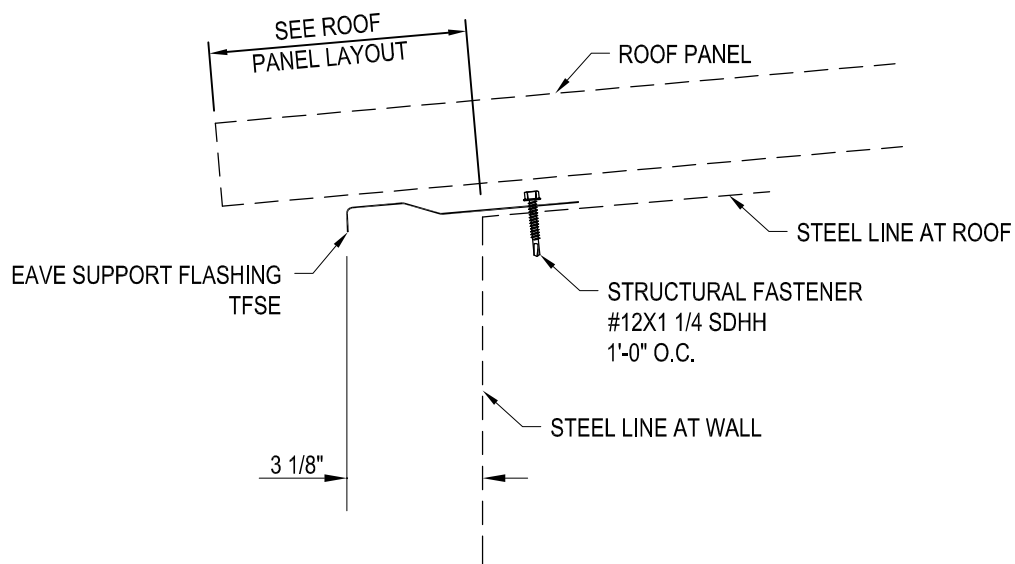
LONG SPAN III, ARCHITECTURAL III & ARCHITECTURAL "V" RIB WALL PANELS  
LONG SPAN III, STANDING SEAM & LOC SEAM ROOF PANELS

EA10
AA

[Download the DWG file by clicking here.](#)

[To Section Index](#)

Eave Support Flashing Attachment  
Shadow Panel Wall Panels / All Roof Panels  
EA10/AD



NOTE: EAVE SUPPORT FLASHING NOT REQUIRED AT LONG SPAN III ROOFS.

**EAVE SUPPORT FLASHING ATTACHMENT**

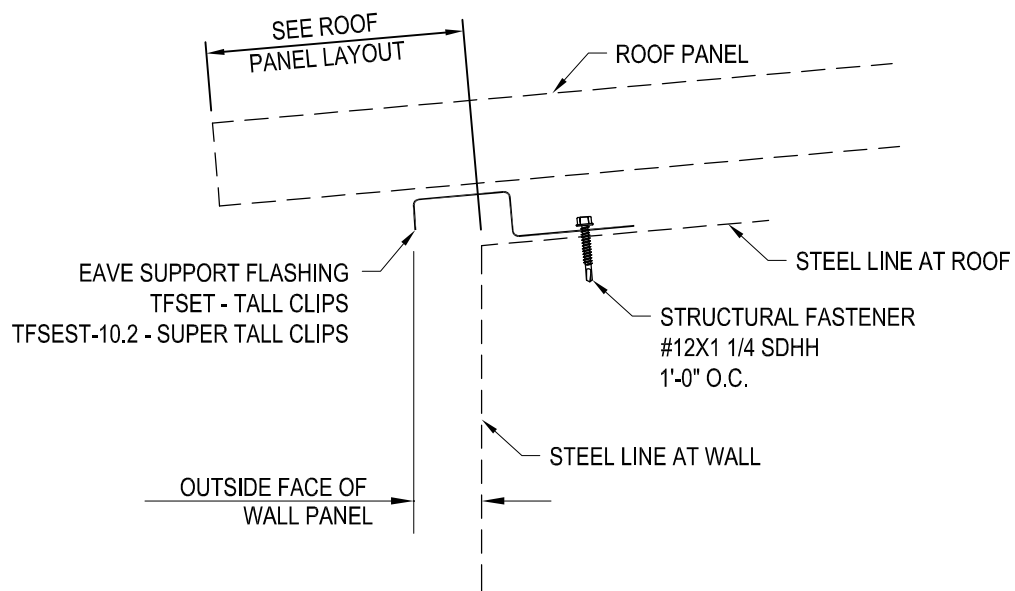
SHADOW PANEL WALL PANELS  
LONG SPAN III, STANDING SEAM & LOC SEAM ROOF PANELS

EA10
AD

[Download the DWG file by clicking here.](#)

[To Section Index](#)

Thermal Eave Support Flashing Attachment  
 Architectural III, Architectural "V" Rib, or Long Span III Wall Panels / Loc Seam or Standing Seam Roof Panels  
 EA10C/AA



**THERMAL EAVE SUPPORT FLASHING ATTACHMENT**

LONG SPAN III, ARCHITECTURAL III & ARCHITECTURAL "V" RIB WALL PANELS  
 STANDING SEAM & LOC SEAM ROOF PANELS

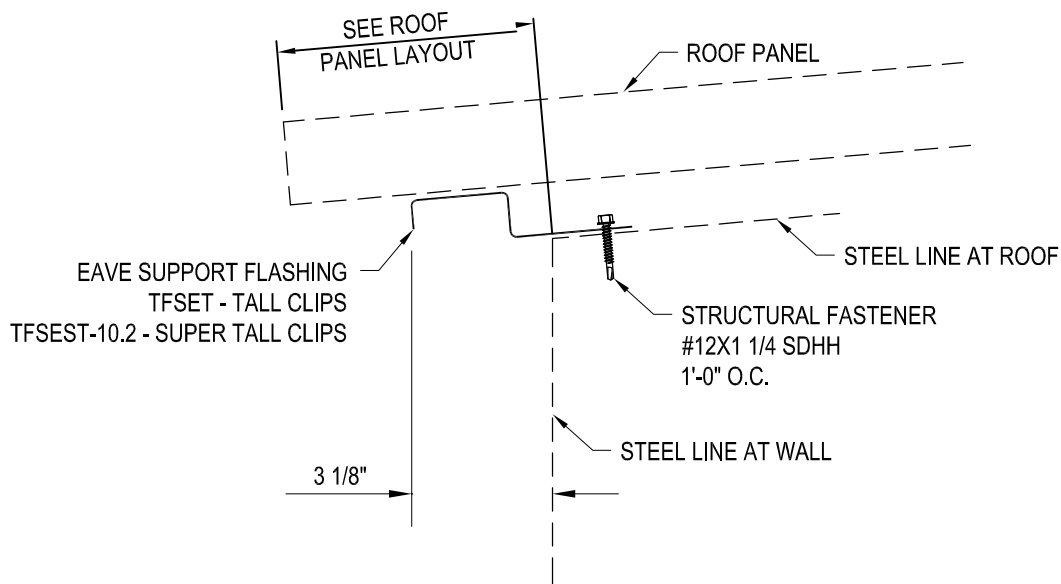
EA10C
AA

[Download the DWG file by clicking here.](#)

[To Section Index](#)



Thermal Eave Support Flashing Attachment  
Shadow Panel Wall Panels / Loc Seam or Standing Seam Roof Panels  
EA10C/AD



**THERMAL EAVE SUPPORT FLASHING ATTACHMENT**

SHADOW PANEL WALL PANELS  
STANDING SEAM & LOC SEAM ROOF PANELS

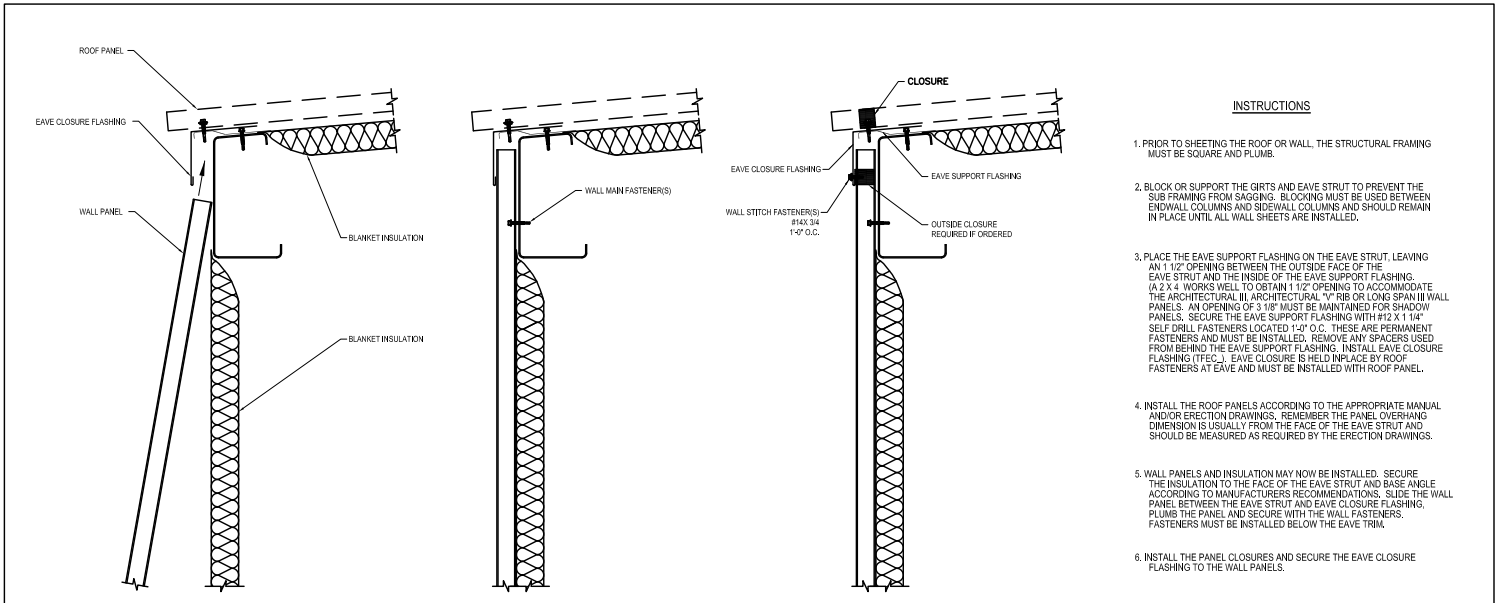
EA10C
AD

[Download the DWG file by clicking here.](#)

[To Section Index](#)

### Roof Sheeting Prior to Wall Sheeting Instructions

EA11/AA



STEP 1, SEE INSTRUCTION NO. 5  
SEE NOTE

STEP 2, SEE INSTRUCTION NO. 5  
SEE NOTE

STEP 3, SEE INSTRUCTION NO. 6  
SEE NOTE

**INSTRUCTIONS**

1. PRIOR TO SHEETING THE ROOF OR WALL, THE STRUCTURAL FRAMING MUST BE SQUARE AND PLUMB.
2. BLOCK OR SUPPORT THE GIRTS AND EAVE STRUT TO PREVENT THE SUB FRAMING FROM SAGGING. BLOCKING MUST BE USED BETWEEN ENDWALL COLUMNS AND SIDEWALL COLUMNS AND SHOULD REMAIN IN PLACE UNTIL ALL WALL SHEETS ARE INSTALLED.
3. PLACE THE EAVE SUPPORT FLASHING ON THE EAVE STRUT, LEAVING AN 1 1/2" OPENING BETWEEN THE OUTSIDE FACE OF THE EAVE STRUT AND THE INSIDE OF THE EAVE SUPPORT FLASHING. (A 2 X 4 WORKS WELL TO OBTAIN 1 1/2" OPENING TO ACCOMMODATE THE ARCHITECTURAL III ARCHITECTURAL 1" RIB OR LONG SPAN III WALL PANELS. AN OPENING OF 3 1/8" MUST BE MAINTAINED FOR SHADOW PANELS. SECURE THE EAVE SUPPORT FLASHING WITH #12 X 1 1/4" SELF DRILL FASTENERS LOCATED 1" O.C. THESE ARE PERMANENT FASTENERS AND MUST BE INSTALLED. REMOVE ANY SPACERS USED FROM BEHIND THE EAVE SUPPORT FLASHING. INSTALL EAVE CLOSURE FLASHING (IF EC.). EAVE CLOSURE IS HELD IN PLACE BY ROOF FASTENERS AT EAVE AND MUST BE INSTALLED WITH ROOF PANEL.
4. INSTALL THE ROOF PANELS ACCORDING TO THE APPROPRIATE MANUAL AND/OR ERECTION DRAWINGS. REMEMBER THE PANEL OVERHANG DIMENSION IS USUALLY FROM THE FACE OF THE EAVE STRUT AND SHOULD BE MEASURED AS REQUIRED BY THE ERECTION DRAWINGS.
5. WALL PANELS AND INSULATION MAY NOW BE INSTALLED. SECURE THE INSULATION TO THE FACE OF THE EAVE STRUT AND BASE ANGLE ACCORDING TO MANUFACTURERS RECOMMENDATIONS. SLIDE THE WALL PANEL BETWEEN THE EAVE STRUT AND EAVE CLOSURE FLASHING. PLUMB THE PANEL AND SECURE WITH THE WALL FASTENERS. FASTENERS MUST BE INSTALLED BELOW THE EAVE TRIM.
6. INSTALL THE PANEL CLOSURES AND SECURE THE EAVE CLOSURE FLASHING TO THE WALL PANELS.

**NOTE:**  
SHADOW PANEL INSTALLATION SHALL VARY FROM THE DETAILS SHOWN. SEE THE SHADOW PANEL ERECTION DRAWINGS FOR FASTENER AND FLASHING DETAILS.

ROOF SHEETING PRIOR TO WALL SHEETING INSTRUCTIONS

EA11
AA

[Download the DWG file by clicking here.](#)

[To Section Index](#)



# AMERICAN BUILDINGS

A NUCOR COMPANY

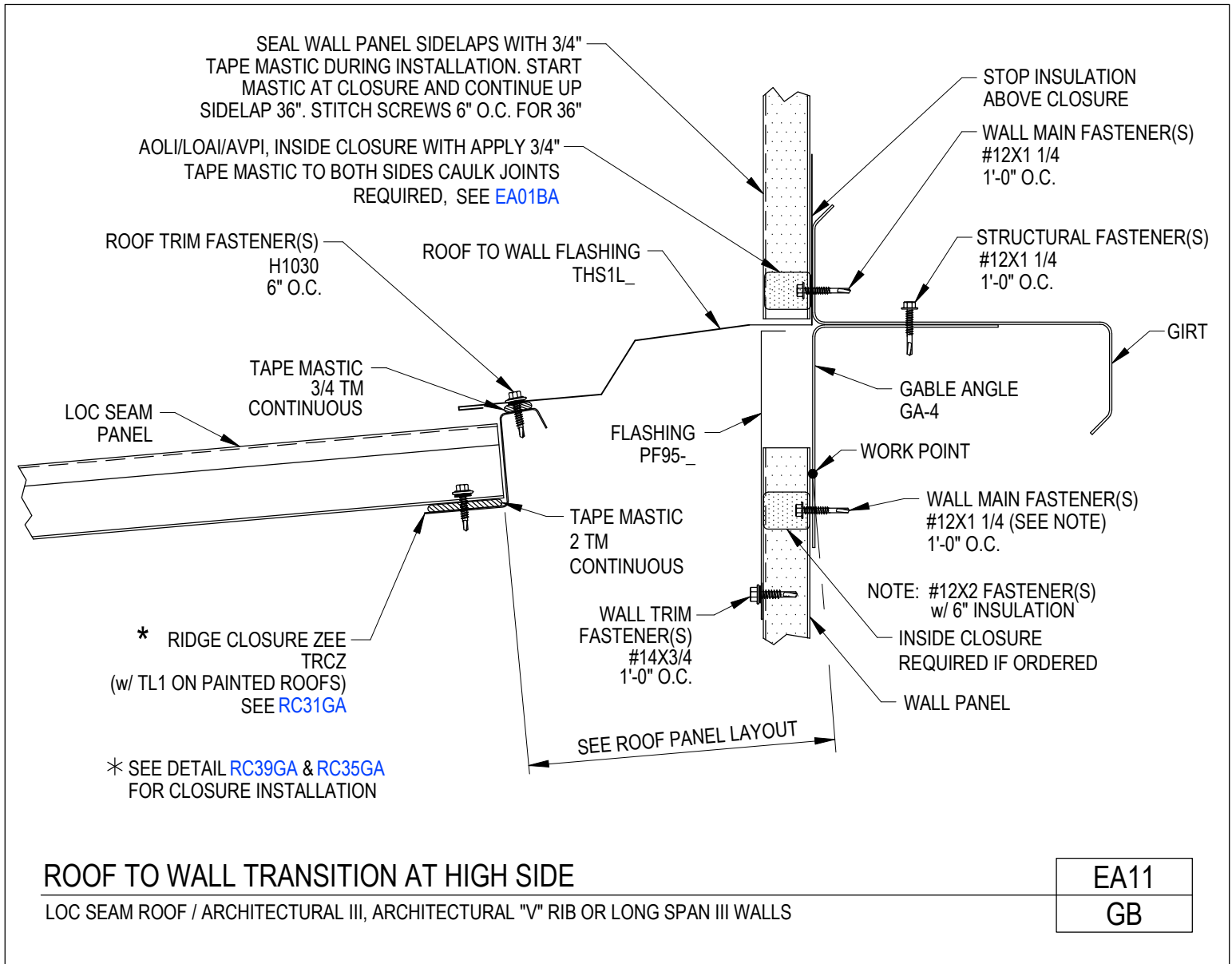
# PRODUCT MANUAL

LOC SEAM PANEL

## Roof to Wall Transition at High Side

Loc Seam Roof/Architectural III, Architectural "V" Rib or Long Span III Walls

EA11/GB



[Download the DWG file by clicking here.](#)

[To Section Index](#)



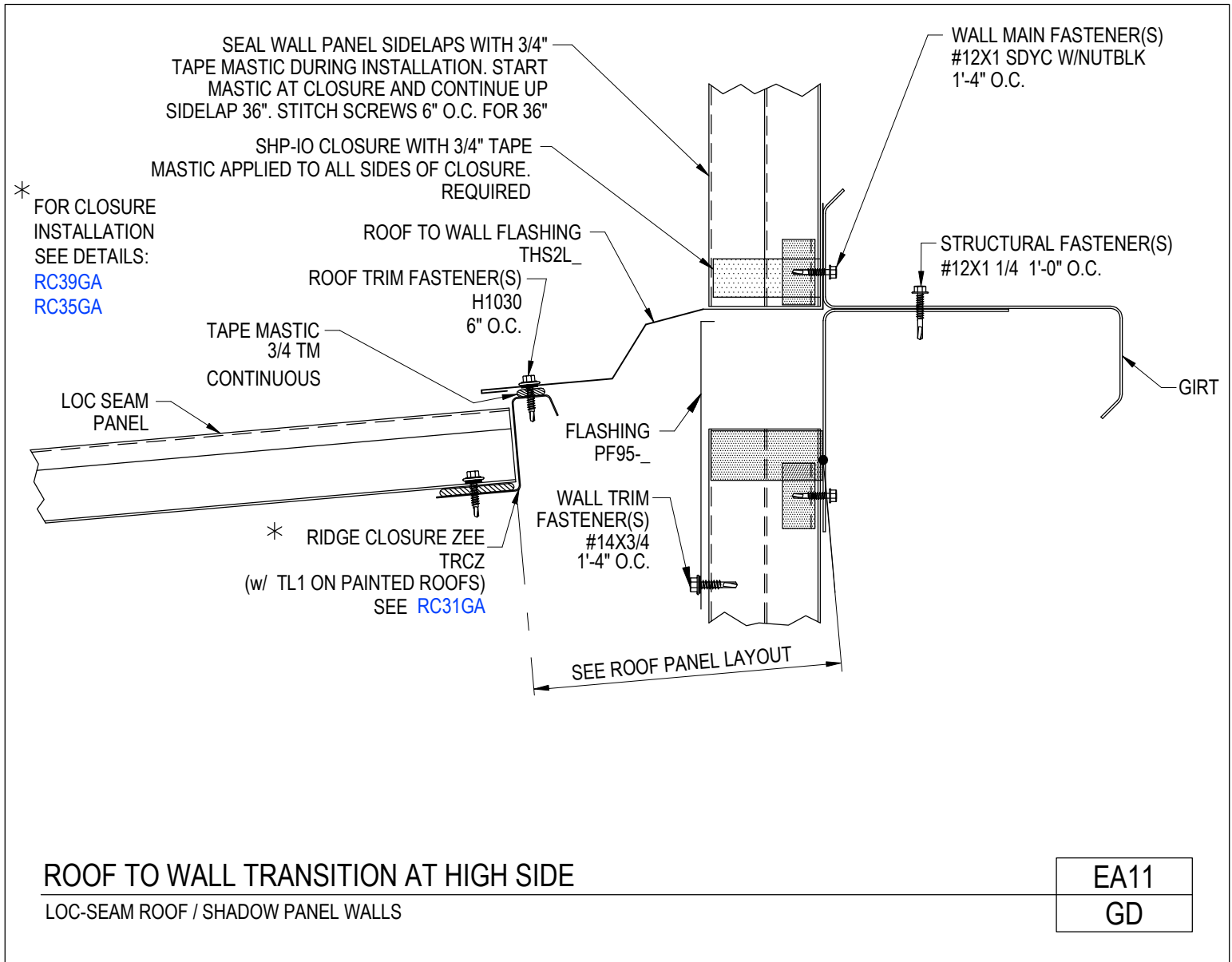
# AMERICAN BUILDINGS

A NUCOR COMPANY

# PRODUCT MANUAL

LOC SEAM PANEL

Roof to Wall Transition at High Side  
Loc Seam Roof/Shadow Panel Walls  
EA11/GD



[Download the DWG file by clicking here.](#)

[To Section Index](#)



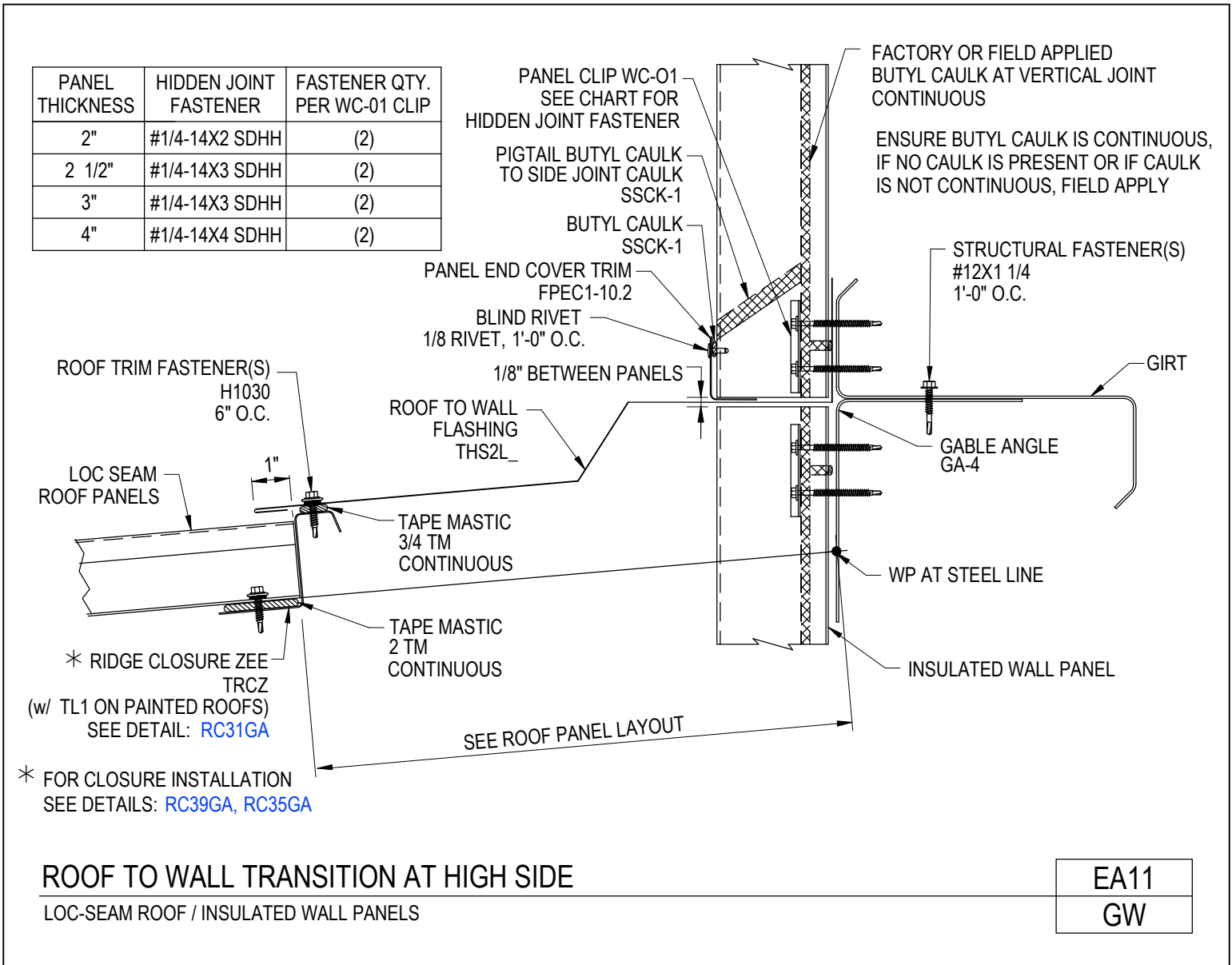
# AMERICAN BUILDINGS

A NUCOR COMPANY

# PRODUCT MANUAL

LOC SEAM PANEL

Roof to Wall Transition at High Side  
 Loc-Seam Roof/Insulated Wall Panels  
 EA11/GW



[Download the DWG file by clicking here.](#)

[To Section Index](#)



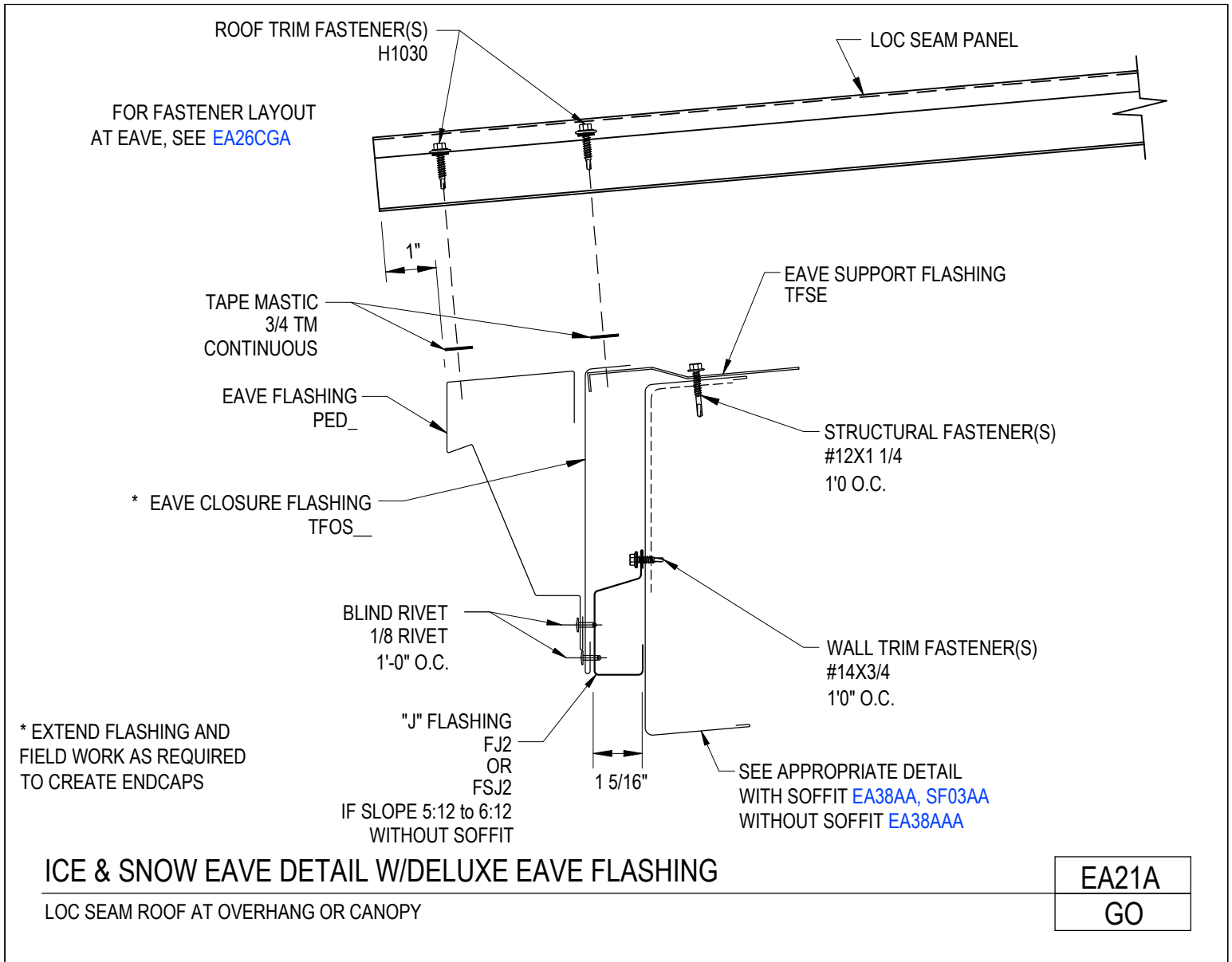
# AMERICAN BUILDINGS

A NUCOR COMPANY

# PRODUCT MANUAL

LOC SEAM PANEL

Ice & Snow Eave Detail w/ Deluxe Eave Flashing  
Loc Seam Roof at Overhang  
EA21A/GO



[Download the DWG file by clicking here.](#)

[To Section Index](#)



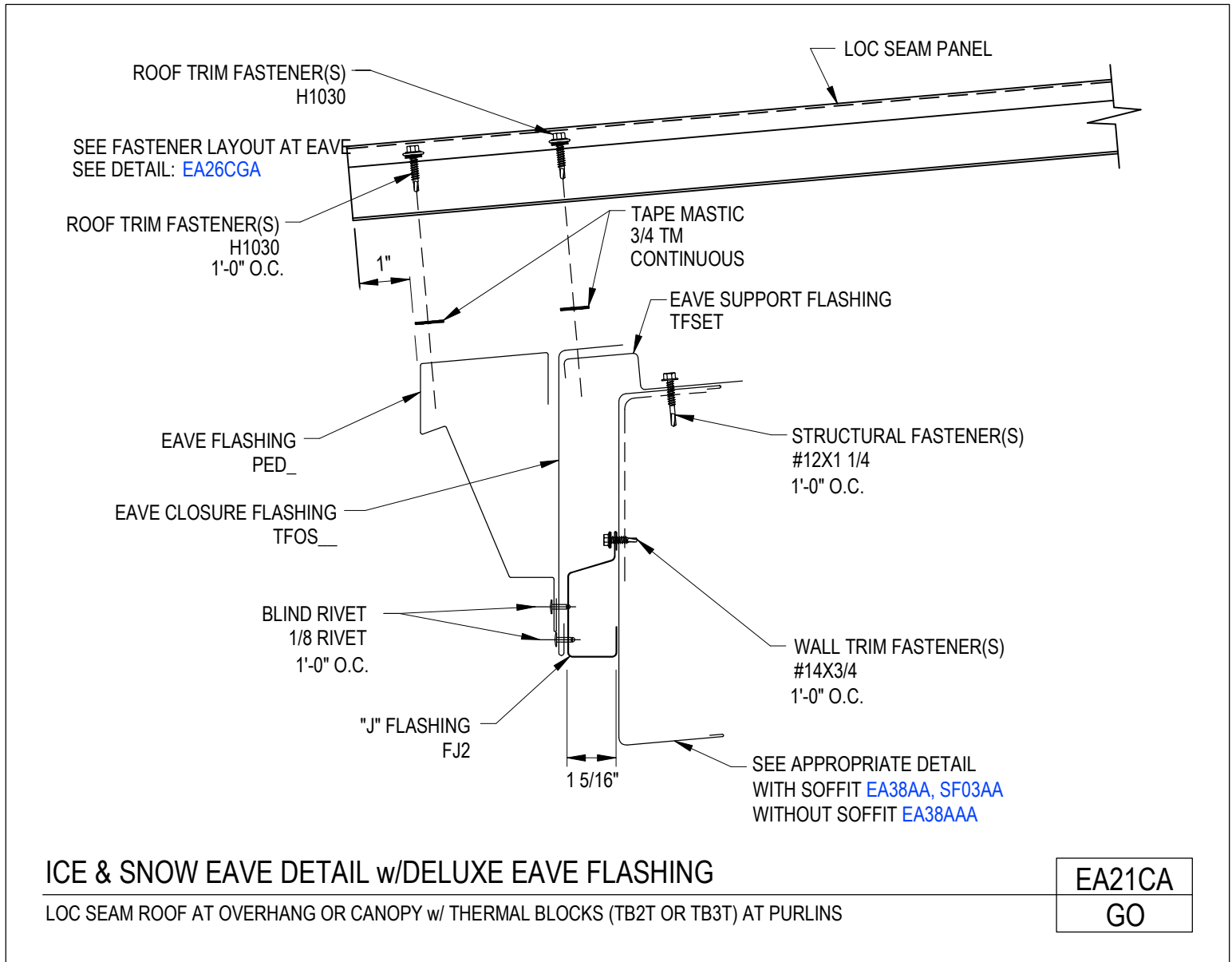
**AMERICAN  
BUILDINGS**

A **NUCOR** COMPANY

# PRODUCT MANUAL

LOC SEAM PANEL

Ice & Snow Eave Detail w/ Deluxe Eave Flashing  
Loc Seam Roof at Overhang w/ Thermal Blocks (TB2T or TB3T) at Purlins  
EA21CA/GO



[Download the DWG file by clicking here.](#)

[To Section Index](#)

Revised: 03.05.21 (MR2021.03)



**AMERICAN  
BUILDINGS**

A **NUCOR** COMPANY

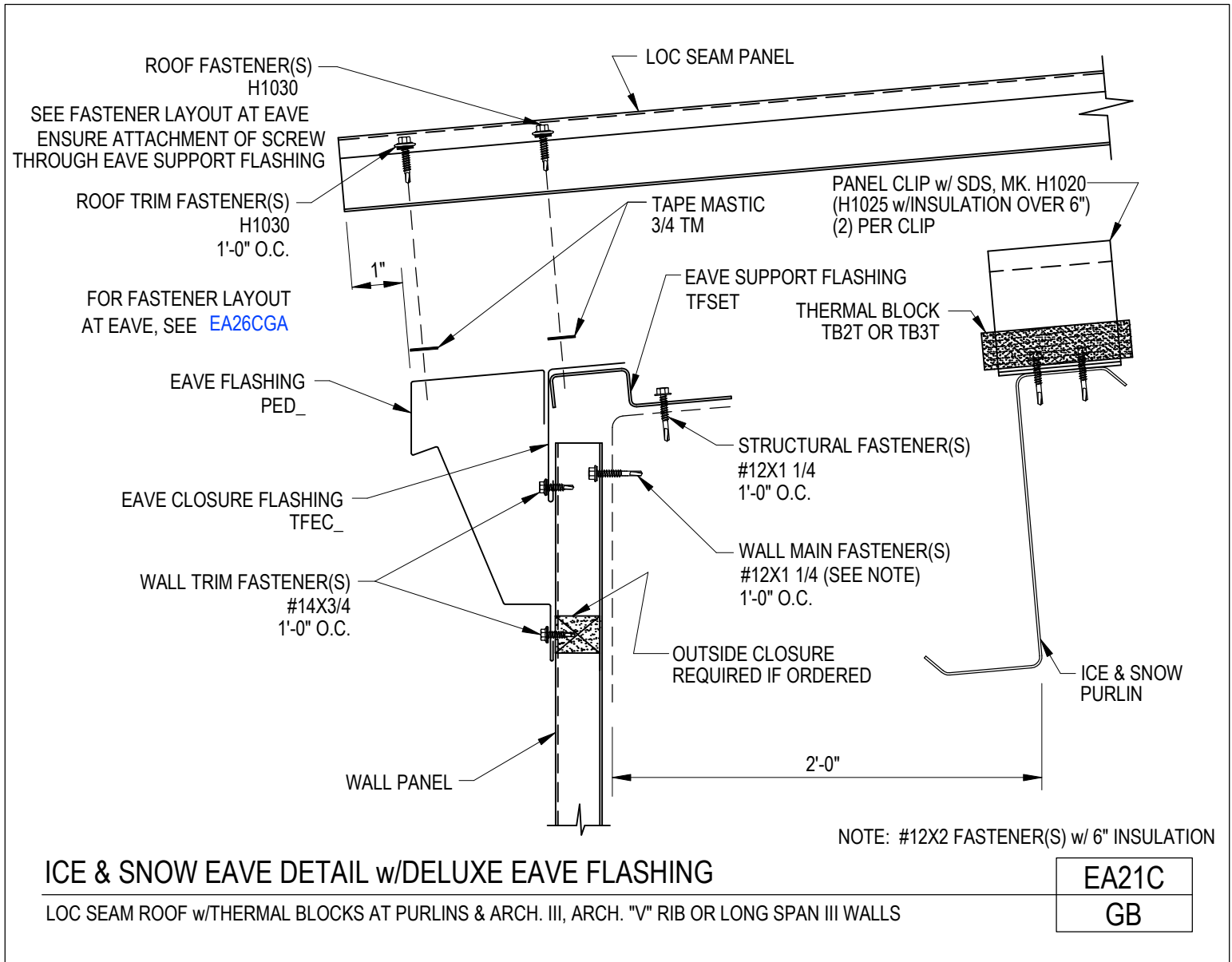
# PRODUCT MANUAL

LOC SEAM PANEL

Ice & Snow Eave Detail w/ Deluxe Eave Flashing

Loc Seam Roof w/ Thermal Blocks at Purlins & Arch III, Arch "V" rib or Long Span III Walls

EA21C/GB



## ICE & SNOW EAVE DETAIL w/DELUXE EAVE FLASHING

LOC SEAM ROOF w/THERMAL BLOCKS AT PURLINS & ARCH. III, ARCH. "V" RIB OR LONG SPAN III WALLS

[Download the DWG file by clicking here.](#)

[To Section Index](#)





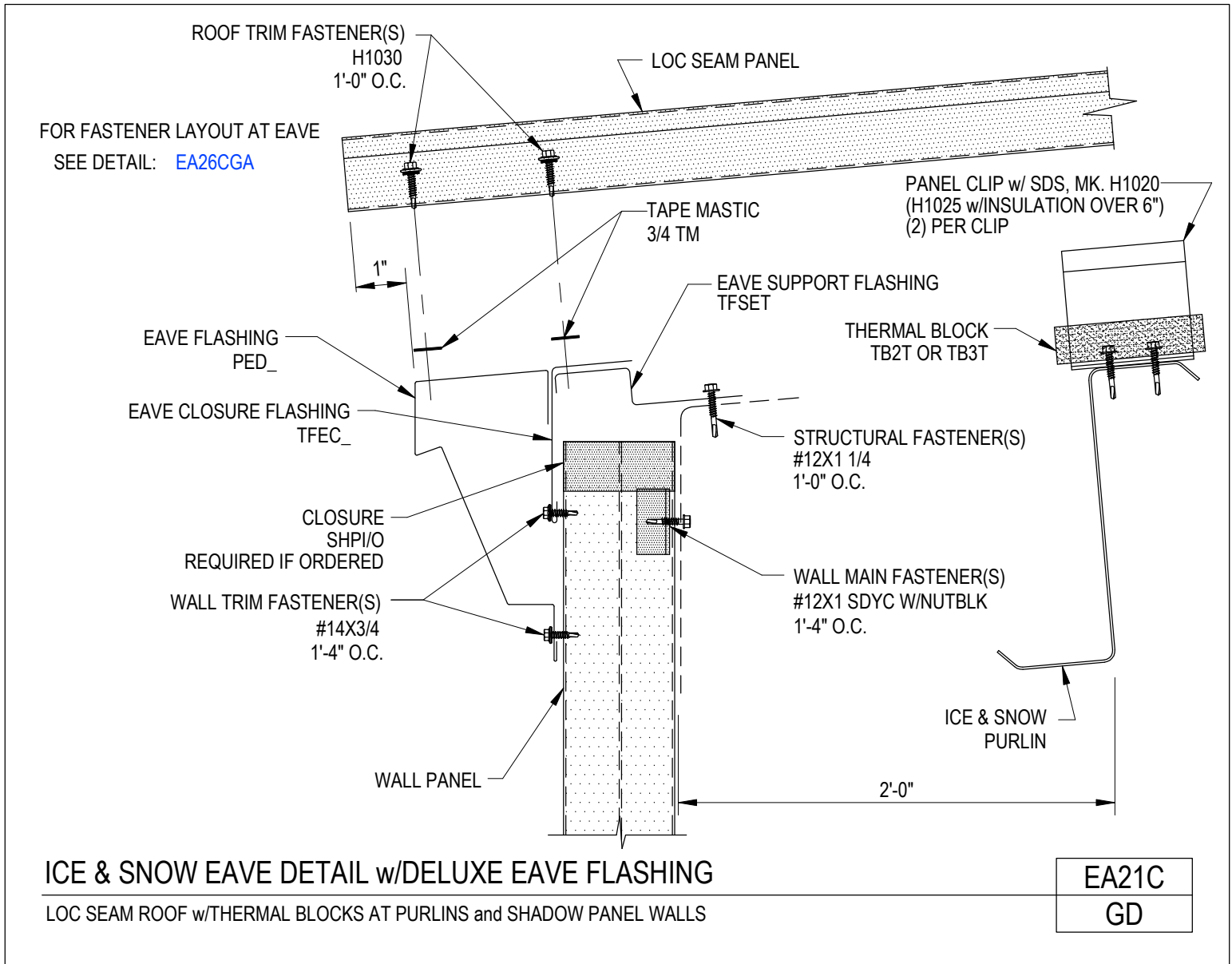
# AMERICAN BUILDINGS

A NUCOR COMPANY

# PRODUCT MANUAL

LOC SEAM PANEL

Ice & Snow Eave Detail w/ Deluxe Eave Flashing  
Loc Seam Panel w/ Thermal Blocks at Purlins and Shadow Panel Walls  
EA21C/GD



[Download the DWG file by clicking here.](#)

[To Section Index](#)



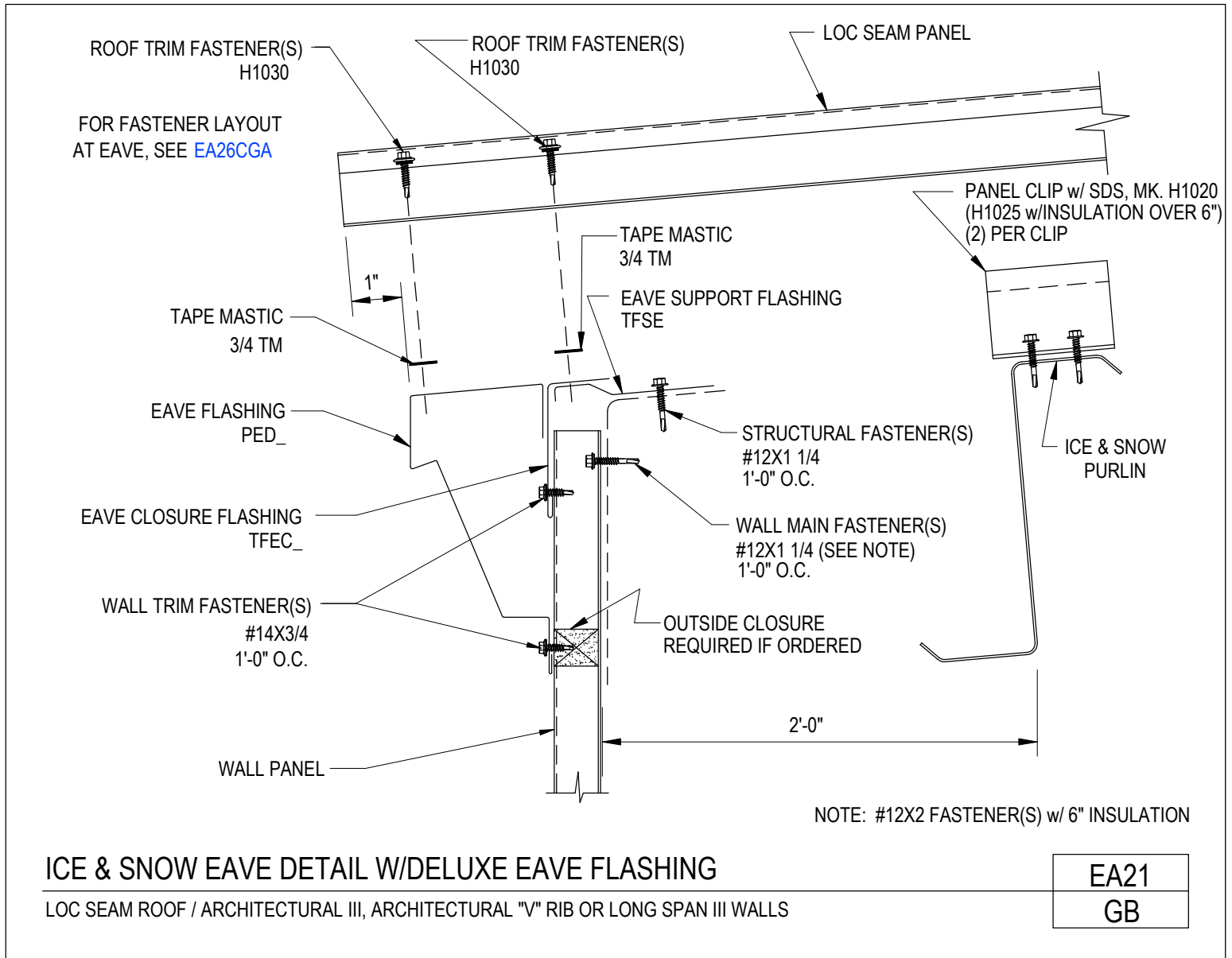
# AMERICAN BUILDINGS

A NUCOR COMPANY

# PRODUCT MANUAL

LOC SEAM PANEL

Ice & Snow Eave Detail w/ Deluxe Eave Flashing  
Loc Seam Roof / Architectural III, Architectural "V" Rib or Longspan III Walls  
EA21/GB



[Download the DWG file by clicking here.](#)

[To Section Index](#)

Revised: 03.05.21 (MR2021.03)



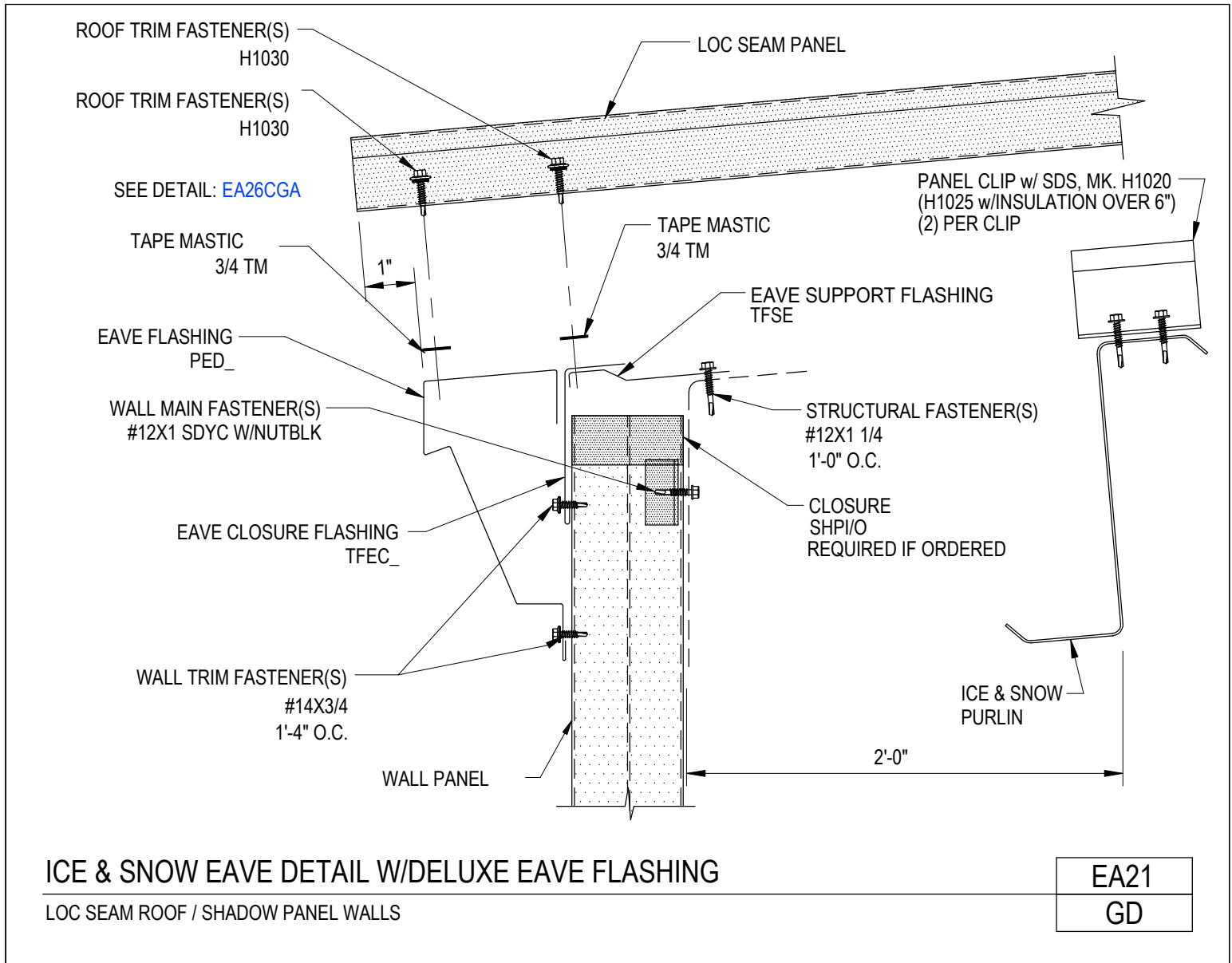
# AMERICAN BUILDINGS

A NUCOR COMPANY

# PRODUCT MANUAL

LOC SEAM PANEL

Ice & Snow Eave Detail w/ Deluxe Eave Flashing  
Loc Seam Panel / Shadow Panel Walls  
EA21/GD



[Download the DWG file by clicking here.](#)

[To Section Index](#)

Revised: 03.05.21 (MR2021.03)



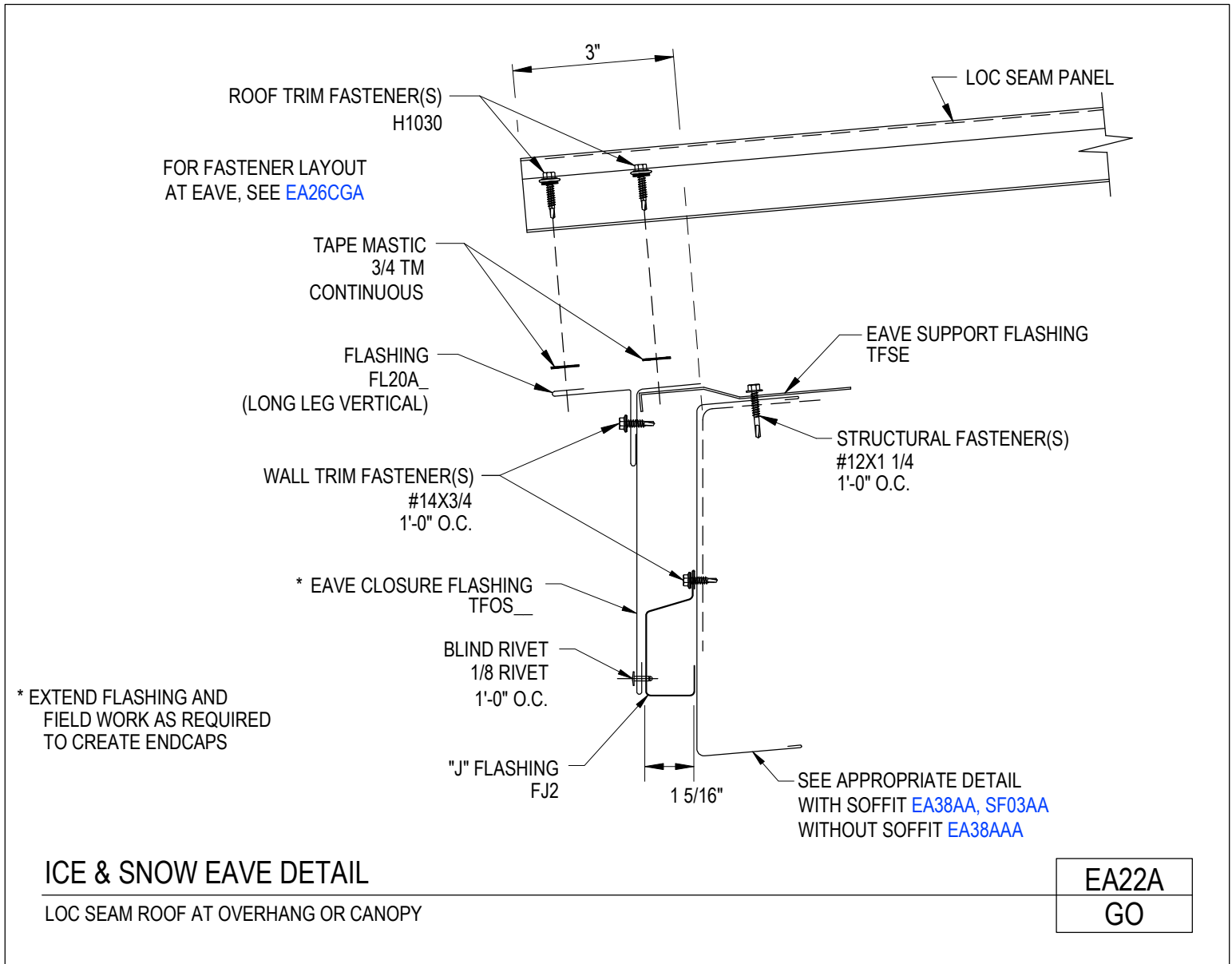
# AMERICAN BUILDINGS

A NUCOR COMPANY

# PRODUCT MANUAL

LOC SEAM PANEL

Ice & Snow Eave Detail  
Loc Seam Roof at Overhang  
EA22A/GO



[Download the DWG file by clicking here.](#)

[To Section Index](#)

Revised: 03.05.21 (MR2021.03)



# AMERICAN BUILDINGS

A **NUCOR** COMPANY

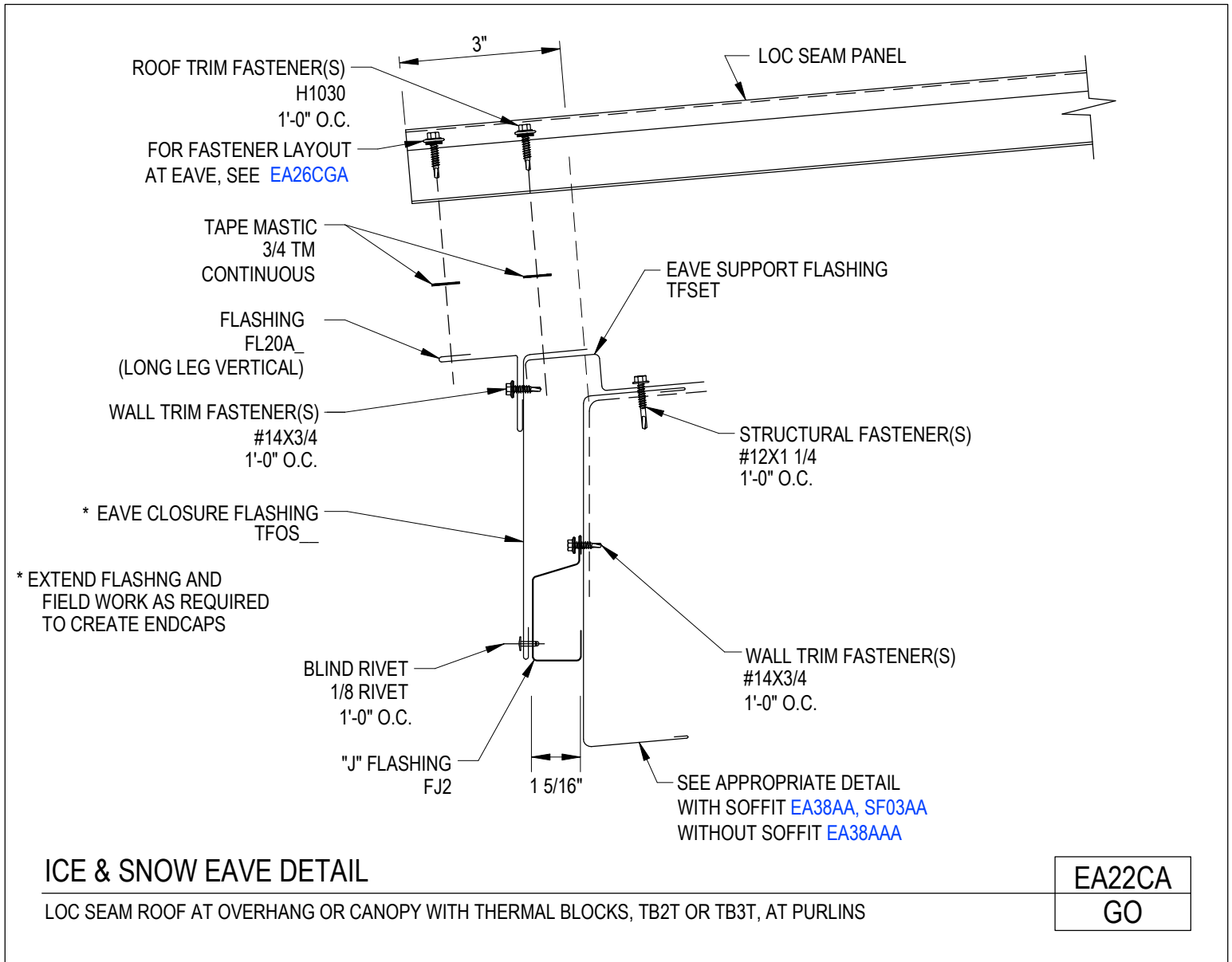
# PRODUCT MANUAL

LOC SEAM PANEL

## Ice & Snow Eave Detail

Loc Seam Roof at Overhang w/ Thermal Blocks, TB2T or TB3T at Purlins

EA22CA/GO



### ICE & SNOW EAVE DETAIL

LOC SEAM ROOF AT OVERHANG OR CANOPY WITH THERMAL BLOCKS, TB2T OR TB3T, AT PURLINS

[Download the DWG file by clicking here.](#)

[To Section Index](#)



# AMERICAN BUILDINGS

A NUCOR COMPANY

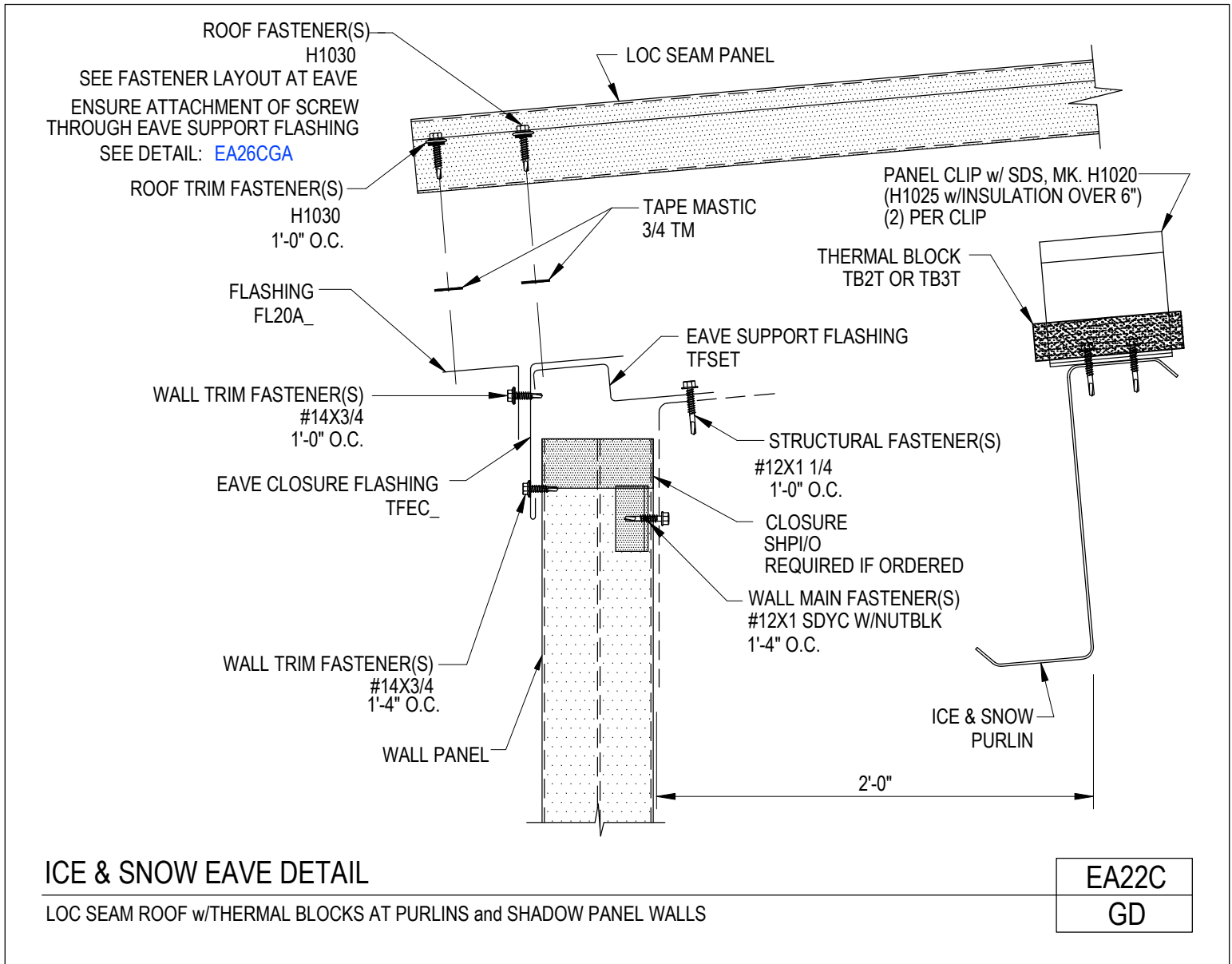
# PRODUCT MANUAL

LOC SEAM PANEL

## Ice & Snow Eave Detail

Loc Seam Roof w/ Thermal Blocks at Purlins and Shadow Panel Walls

EA22C/GD



[Download the DWG file by clicking here.](#)

[To Section Index](#)



# AMERICAN BUILDINGS

A NUCOR COMPANY

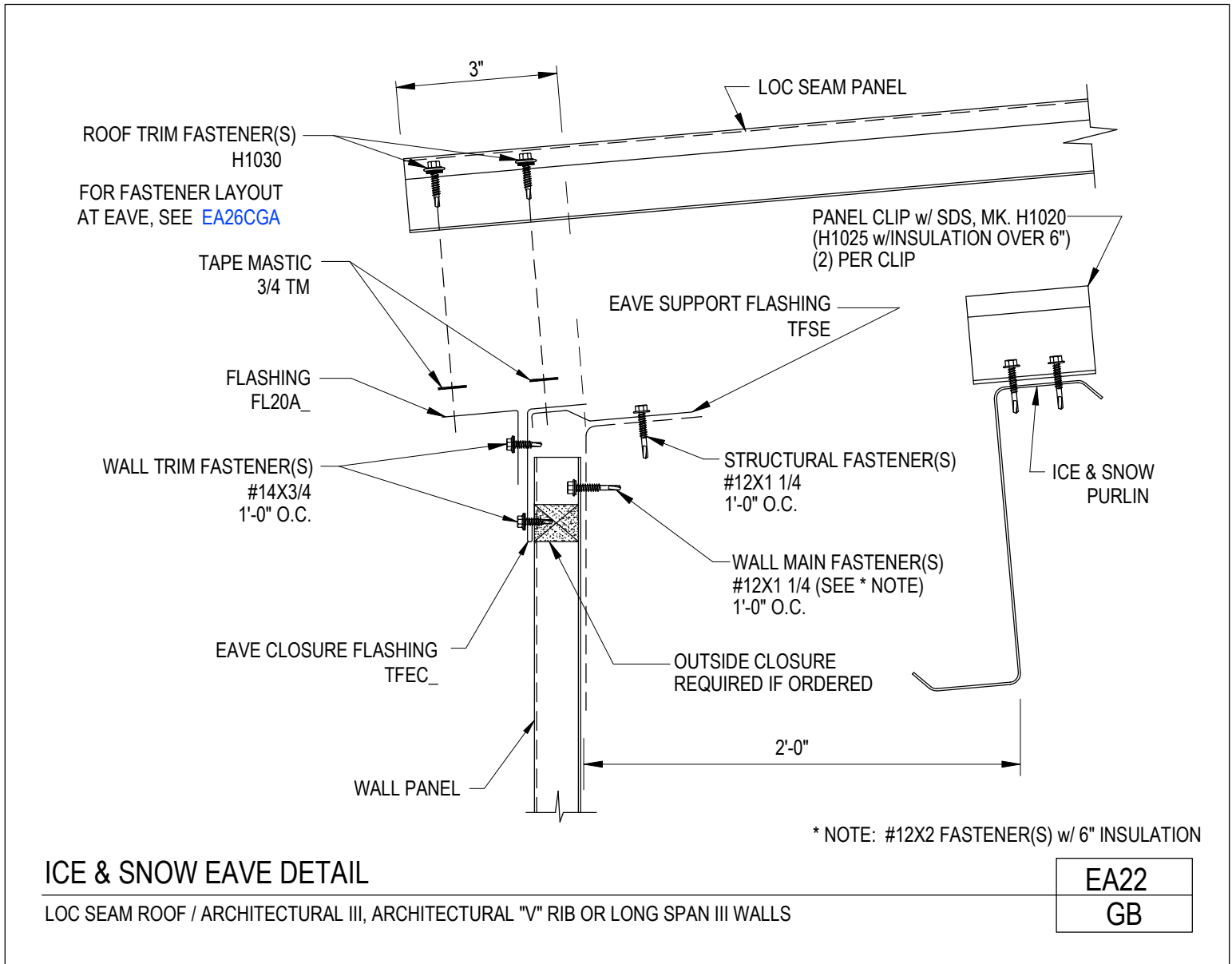
# PRODUCT MANUAL

LOC SEAM PANEL

## Ice & Snow Eave Detail

Loc Seam Roof / Architectural III, Architectural "V" Rib or Longspan III Walls

EA22/GB



[Download the DWG file by clicking here.](#)

[To Section Index](#)



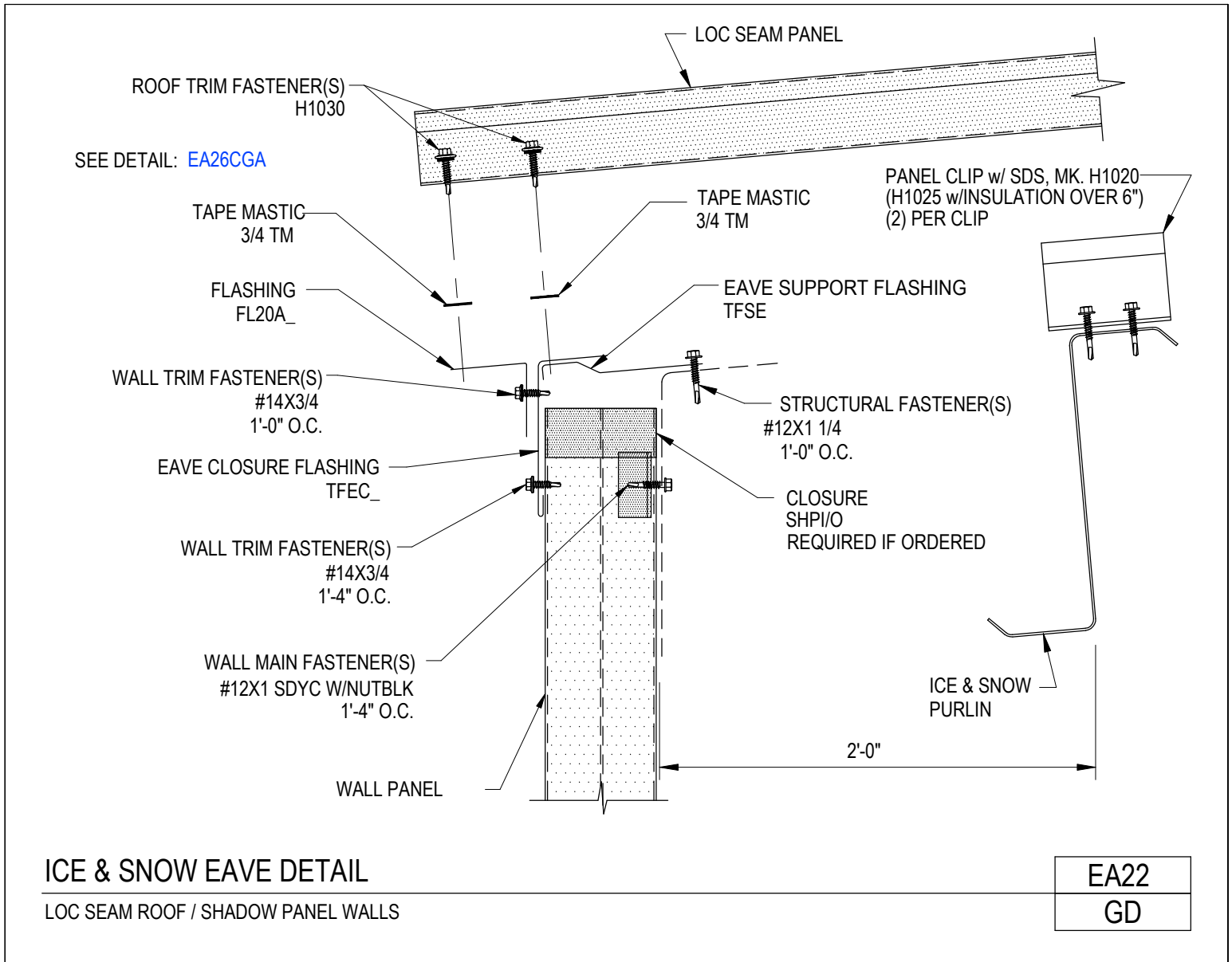
# AMERICAN BUILDINGS

A NUCOR COMPANY

# PRODUCT MANUAL

LOC SEAM PANEL

Ice & Snow Eave Detail  
Loc Seam Roof / Shadow Panel Walls  
EA22/GD



[Download the DWG file by clicking here.](#)

[To Section Index](#)

Revised: 03.05.21 (MR2021.03)





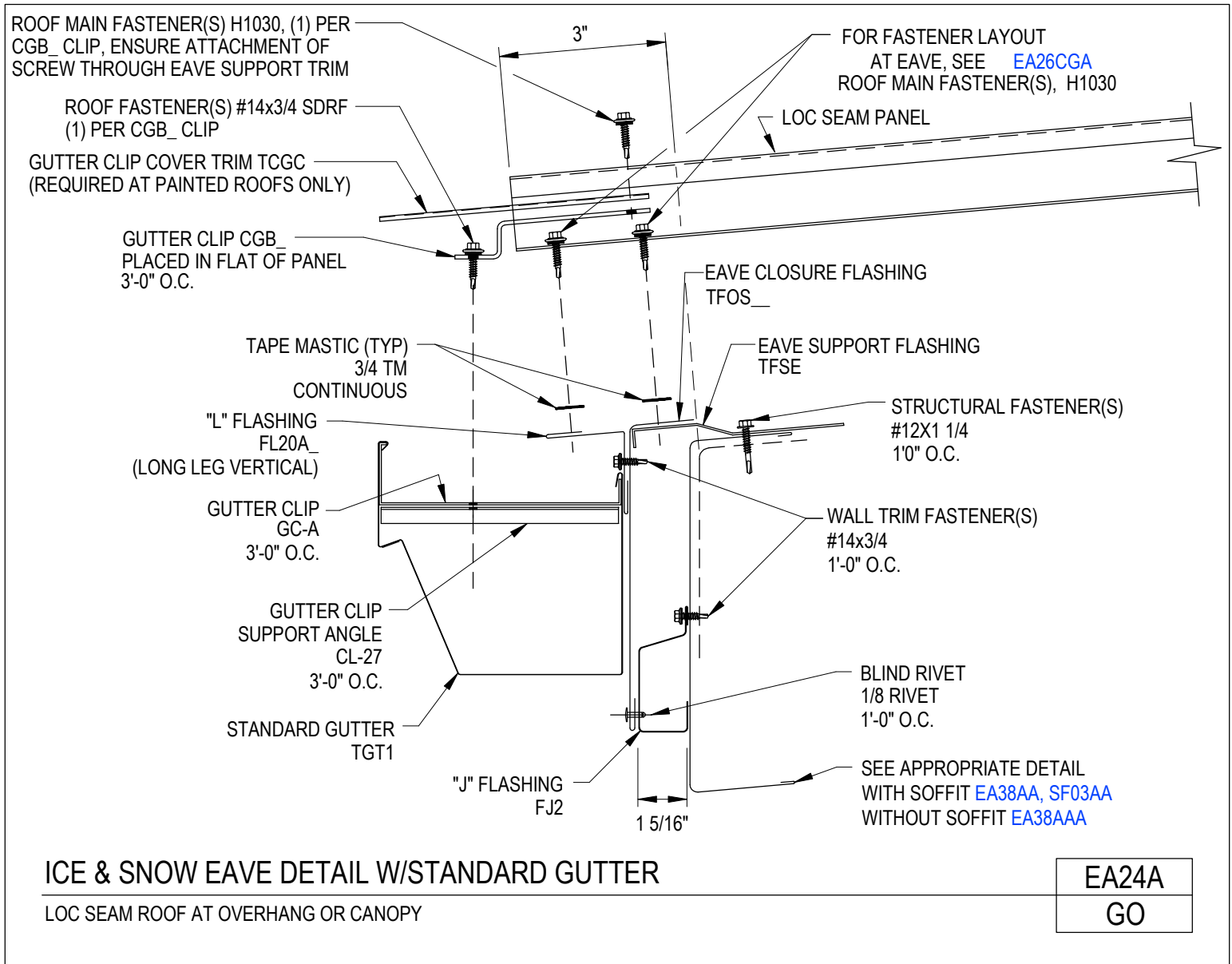
# AMERICAN BUILDINGS

A NUCOR COMPANY

# PRODUCT MANUAL

LOC SEAM PANEL

Ice & Snow Eave Detail w/ Standard Gutter  
Loc Seam Roof at Overhang  
EA24A/GO



[Download the DWG file by clicking here.](#)

[To Section Index](#)

Revised: 03.05.21 (MR2021.03)



# AMERICAN BUILDINGS

A NUCOR COMPANY

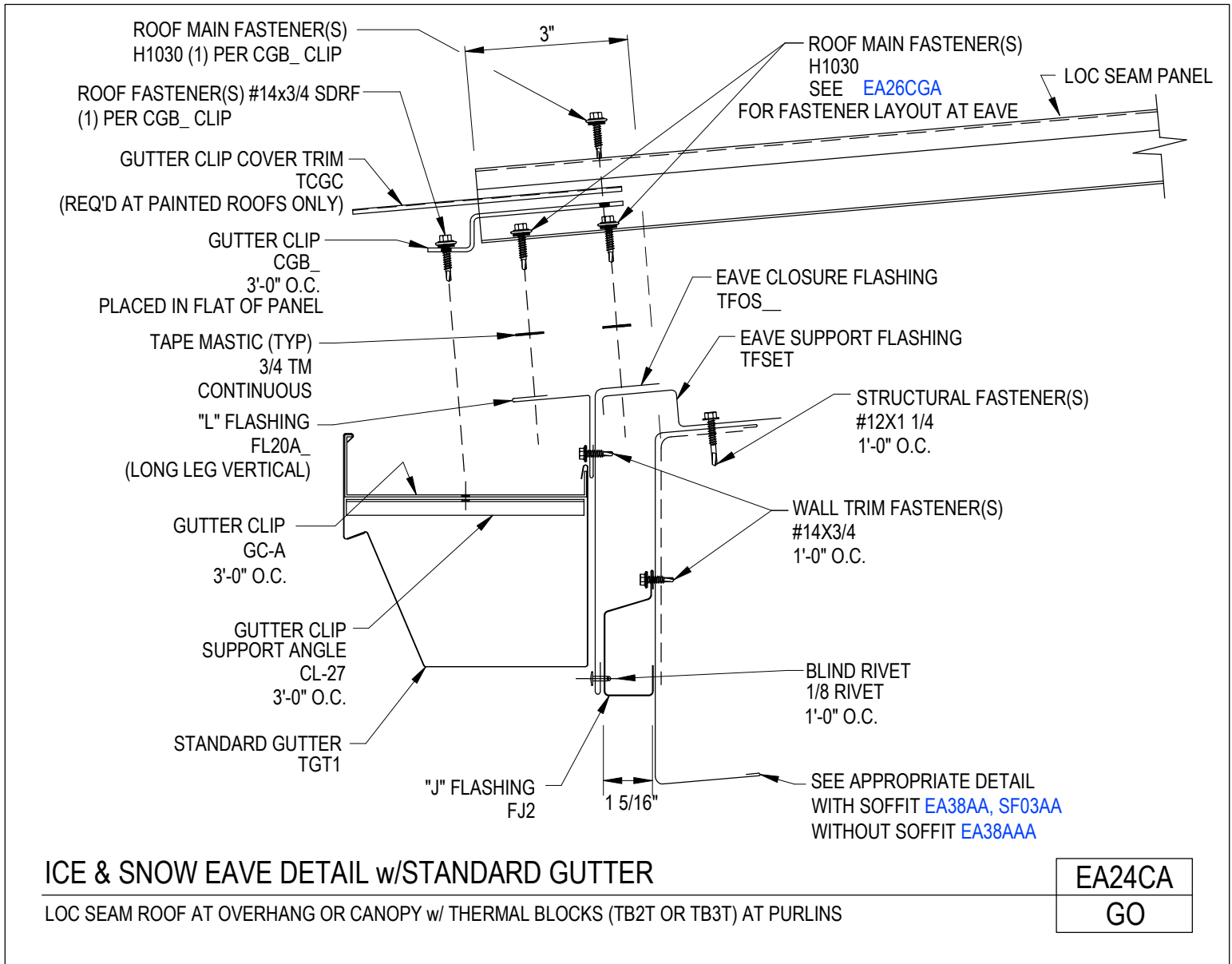
# PRODUCT MANUAL

LOC SEAM PANEL

## Ice & Snow Eave Detail w/ Standard Gutter

Loc Seam Roof at Overhang w/ Thermal Blocks (TB2T or TB3T) at Purlins

EA24CA/GO



[Download the DWG file by clicking here.](#)

[To Section Index](#)

Revised: 03.05.21 (MR2021.03)



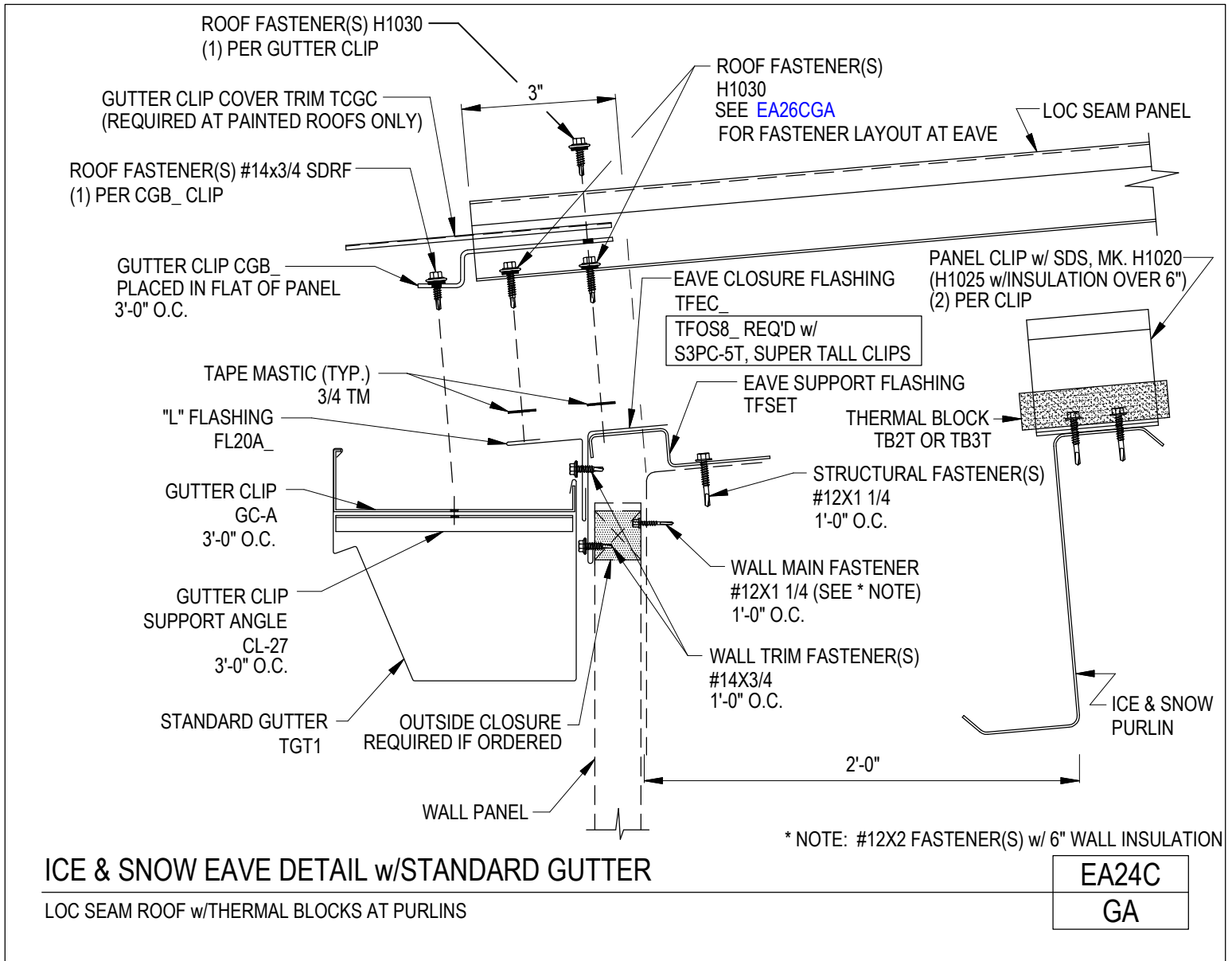
# AMERICAN BUILDINGS

A NUCOR COMPANY

# PRODUCT MANUAL

LOC SEAM PANEL

Ice & Snow Eave Detail w/ Standard Gutter  
Loc Seam Roof w/ Thermal Blocks at Purlins  
EA24C/GA



[Download the DWG file by clicking here.](#)

[To Section Index](#)



# AMERICAN BUILDINGS

A NUCOR COMPANY

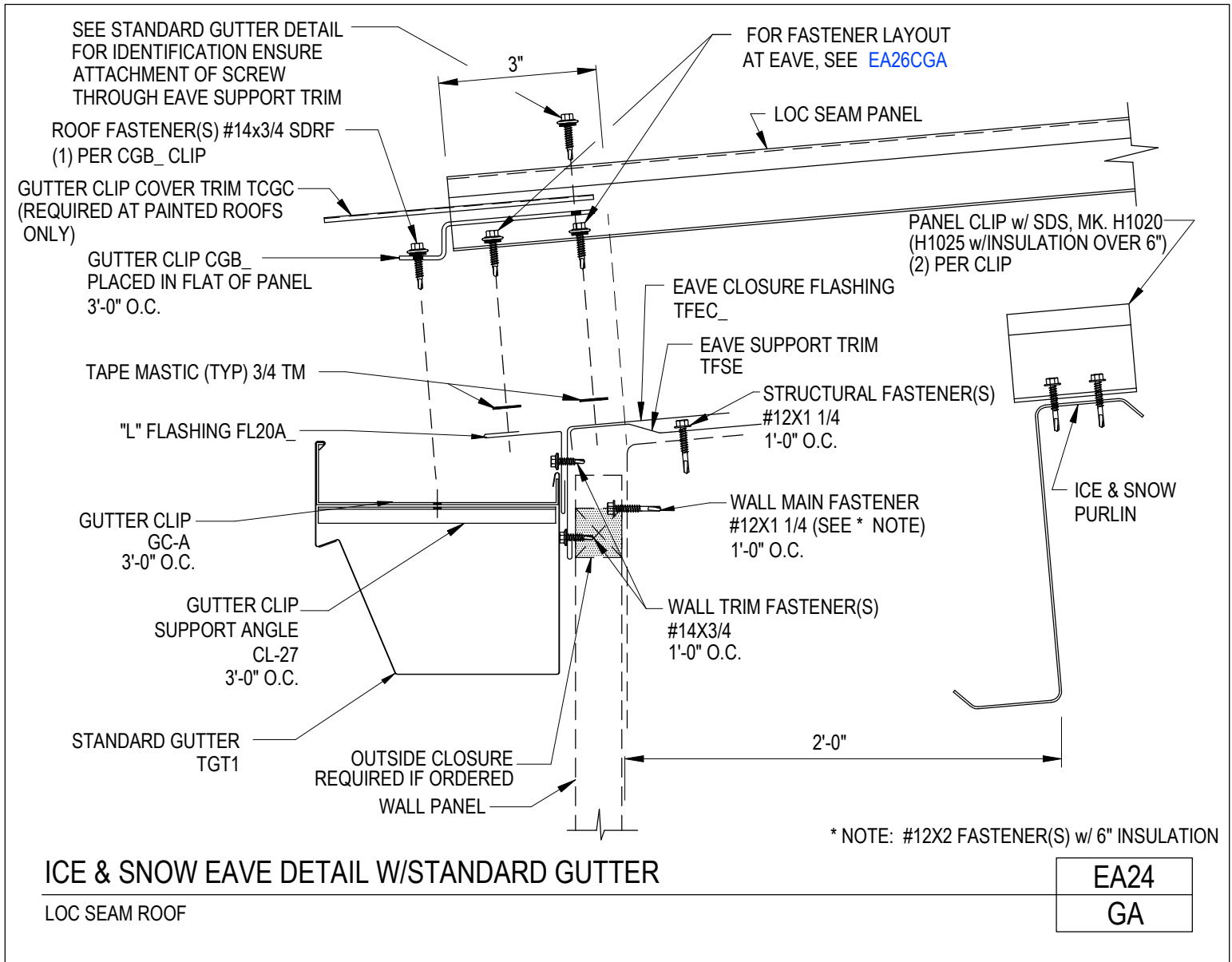
# PRODUCT MANUAL

LOC SEAM PANEL

## Ice & Snow Eave Detail w/ Standard Gutter

Loc Seam Panel

EA24/GA



[Download the DWG file by clicking here.](#)

[To Section Index](#)



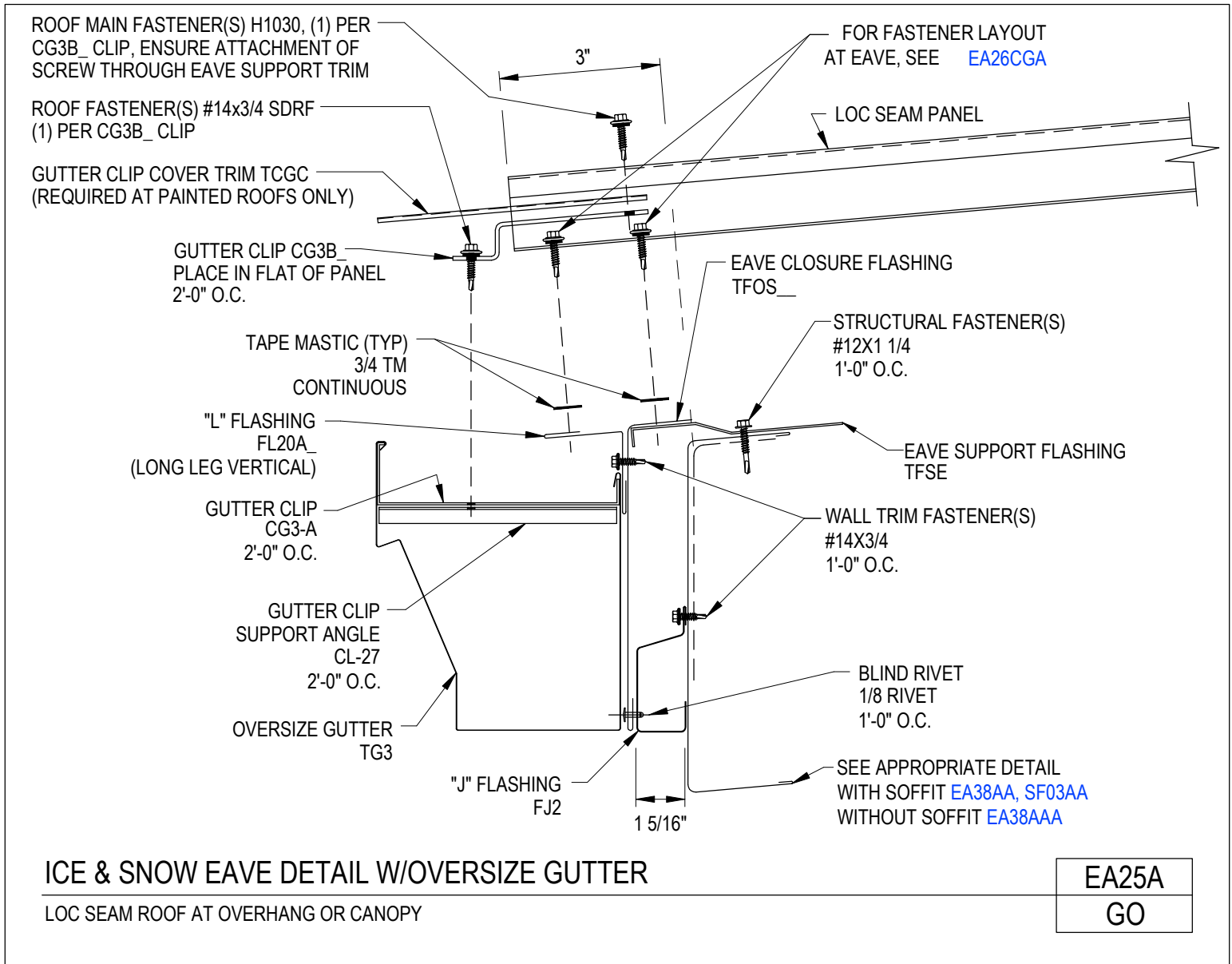
# AMERICAN BUILDINGS

A NUCOR COMPANY

# PRODUCT MANUAL

LOC SEAM PANEL

Ice & Snow Eave Detail w/ Oversize Gutter  
Loc Seam Roof at Overhang  
EA25A/GO



[Download the DWG file by clicking here.](#)

[To Section Index](#)



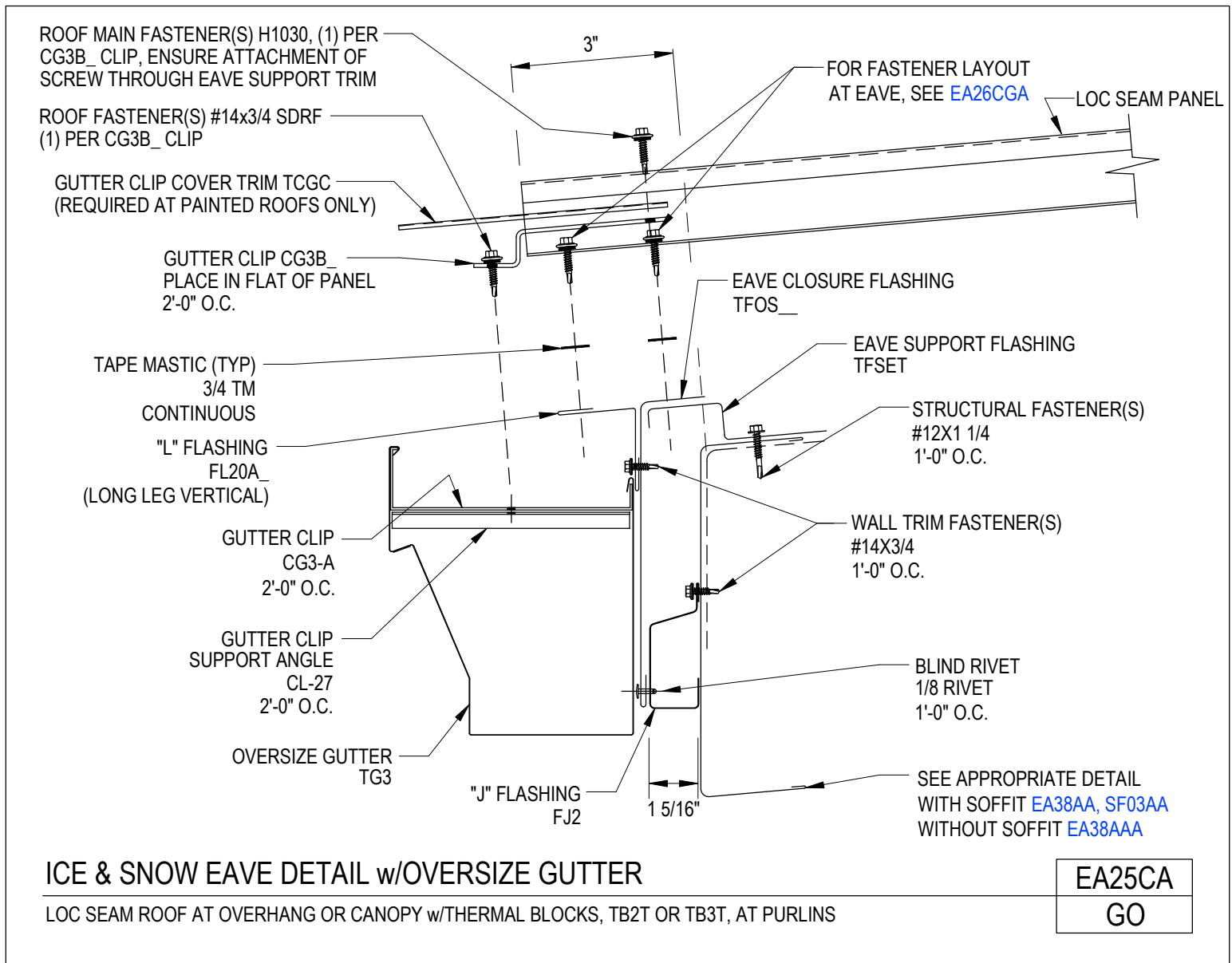
**AMERICAN  
BUILDINGS**

A **NUCOR** COMPANY

# PRODUCT MANUAL

LOC SEAM PANEL

Ice & Snow Eave Detail w/ Oversize Gutter  
Loc Seam Roof at Overhang w/ Thermal Blocks, TB2T or TB3T at Purlins  
EA25CA/GO



[Download the DWG file by clicking here.](#)

[To Section Index](#)



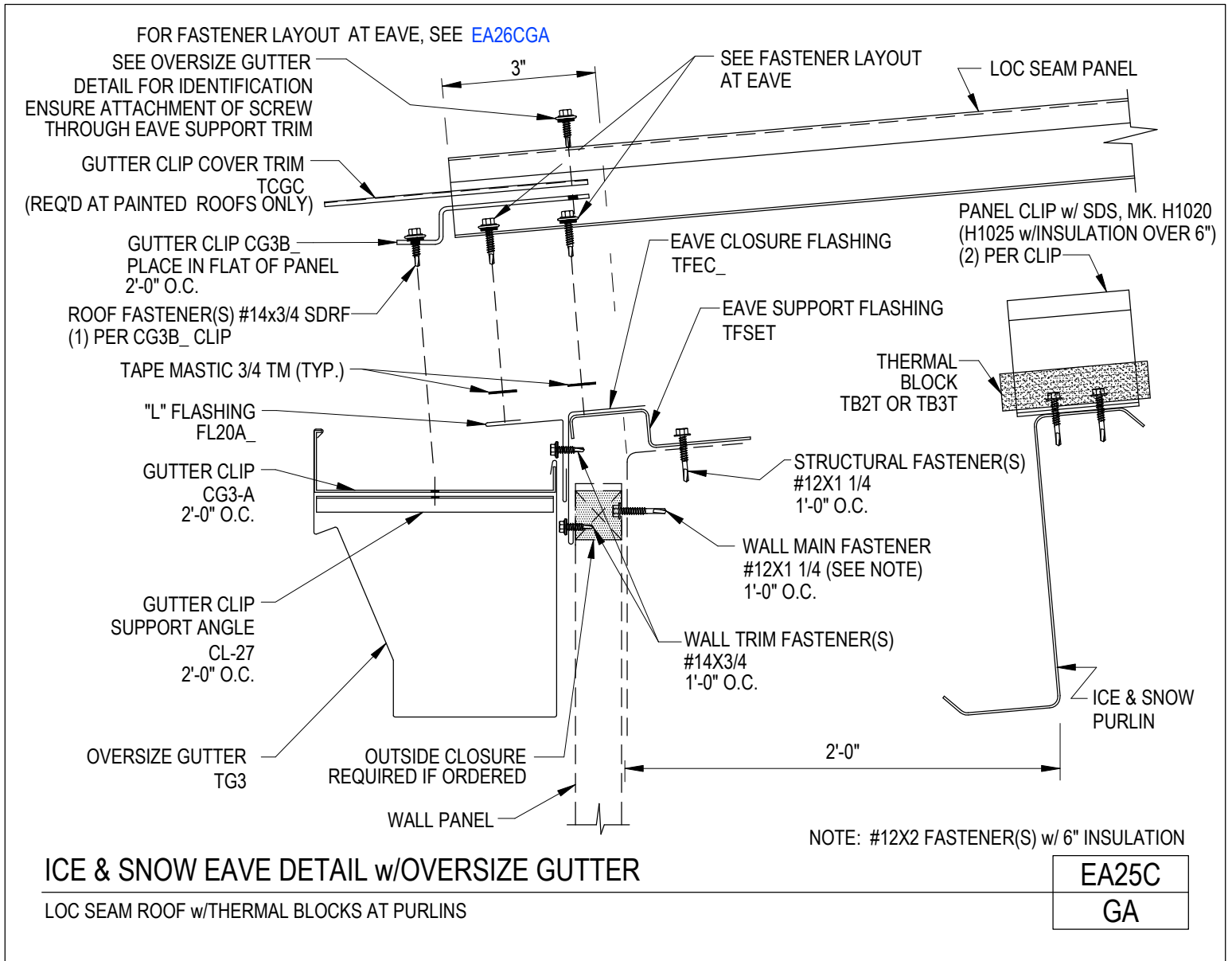
# AMERICAN BUILDINGS

A NUCOR COMPANY

# PRODUCT MANUAL

LOC SEAM PANEL

Ice & Snow Eave Detail w/ Oversize Gutter  
Loc Seam Roof w/ Thermal Blocks at Purlins  
EA25C/GA



[Download the DWG file by clicking here.](#)

[To Section Index](#)



# AMERICAN BUILDINGS

A NUCOR COMPANY

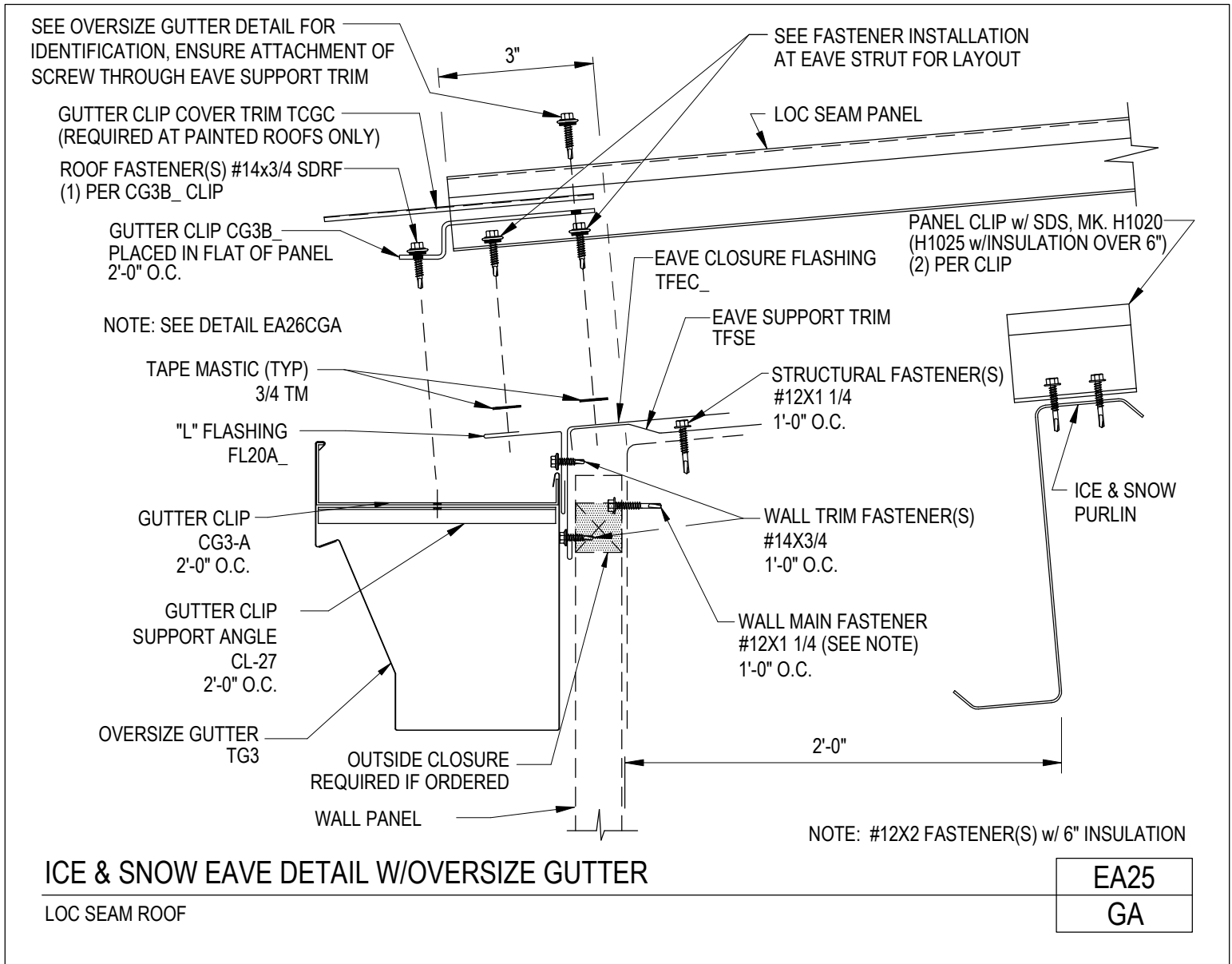
# PRODUCT MANUAL

LOC SEAM PANEL

## Ice & Snow Eave Detail w/ Oversize Gutter

Loc Seam Panel

EA25/GA



## ICE & SNOW EAVE DETAIL W/OVERSIZE GUTTER

LOC SEAM ROOF

[Download the DWG file by clicking here.](#)

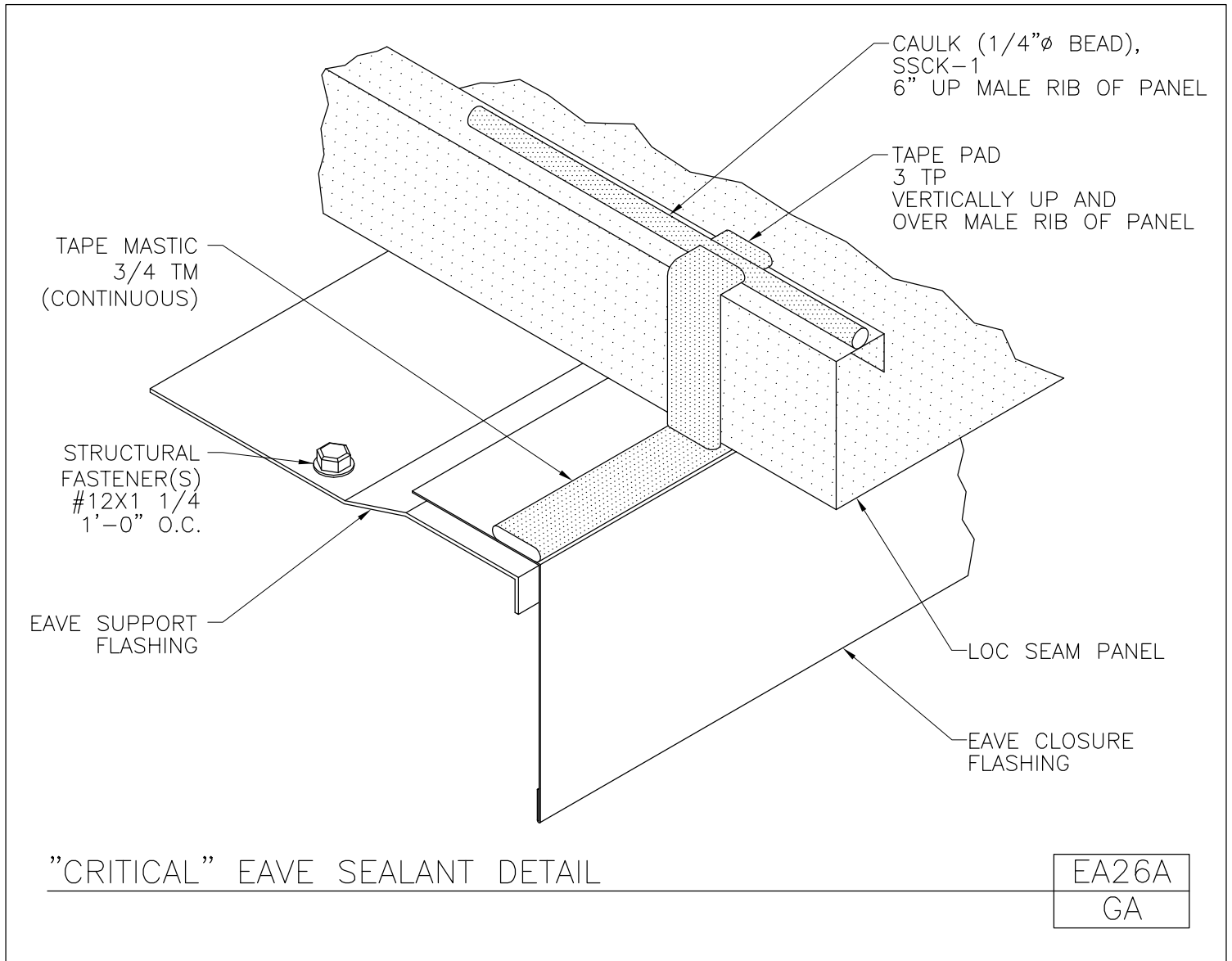
[To Section Index](#)

Revised: 03.05.21 (MR2021.03)



"Critical" Eave Sealant Detail

EA26A/GA



[Download the DWG file by clicking here.](#)

[To Section Index](#)



# AMERICAN BUILDINGS

A NUCOR COMPANY

# PRODUCT MANUAL

LOC SEAM PANEL

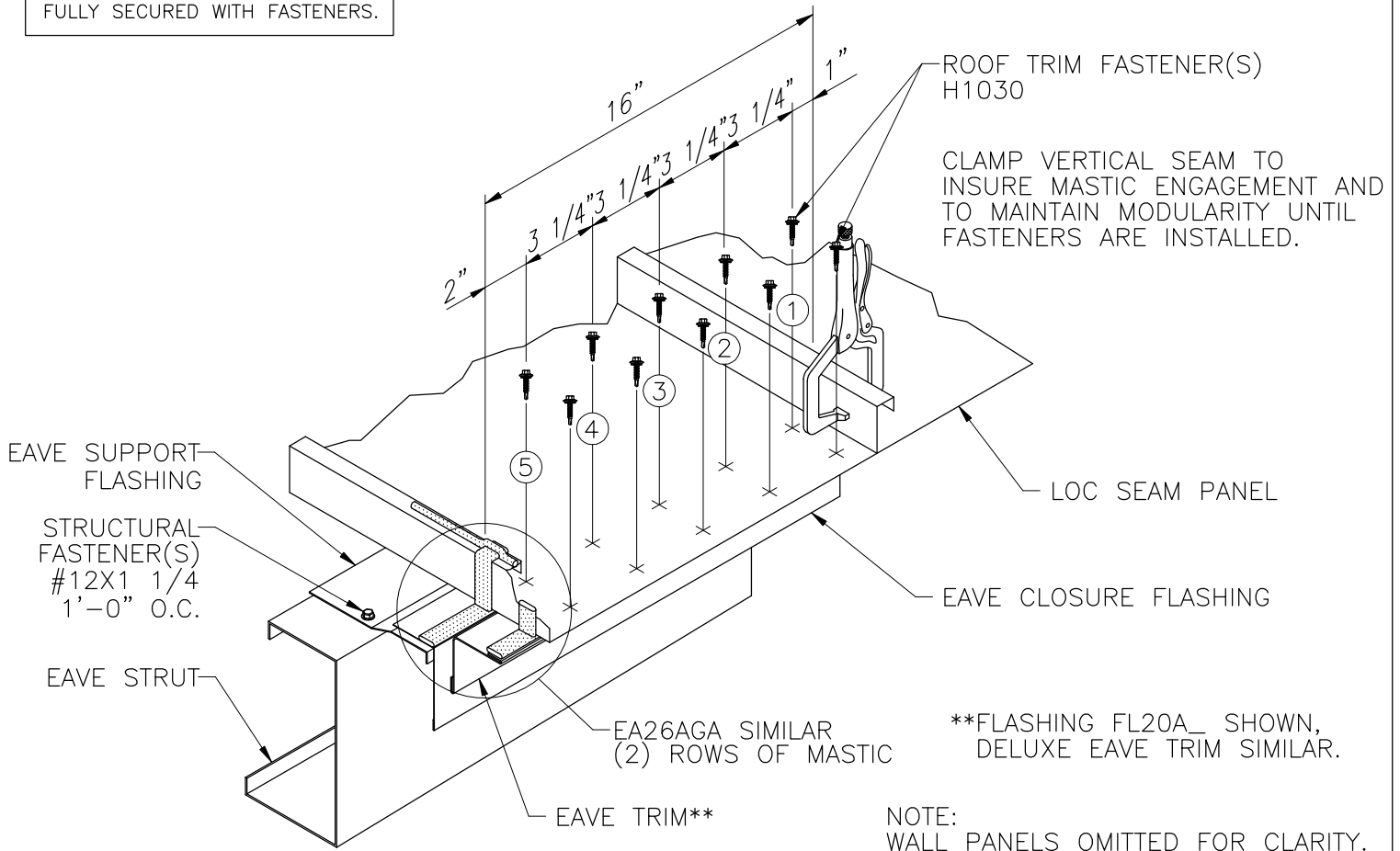
## Roof Panel Attachment at Eave w/ Ice & Snow

Loc Seam Panel

EA26C/GA

SAFETY PRECAUTION  
DO NOT STEP ON PANELS UNTIL  
FULLY SECURED WITH FASTENERS.

INSTALL FASTENERS IN EXACT  
SEQUENCE SHOWN TO PREVENT  
PANEL BUCKLING.



## ROOF PANEL ATTACHMENT AT EAVE W/ ICE & SNOW

LOC SEAM ROOF

EA26C

GA

[Download the DWG file by clicking here.](#)

[To Section Index](#)

Revised: 03.05.21 (MR2021.03)



# AMERICAN BUILDINGS

A NUCOR COMPANY

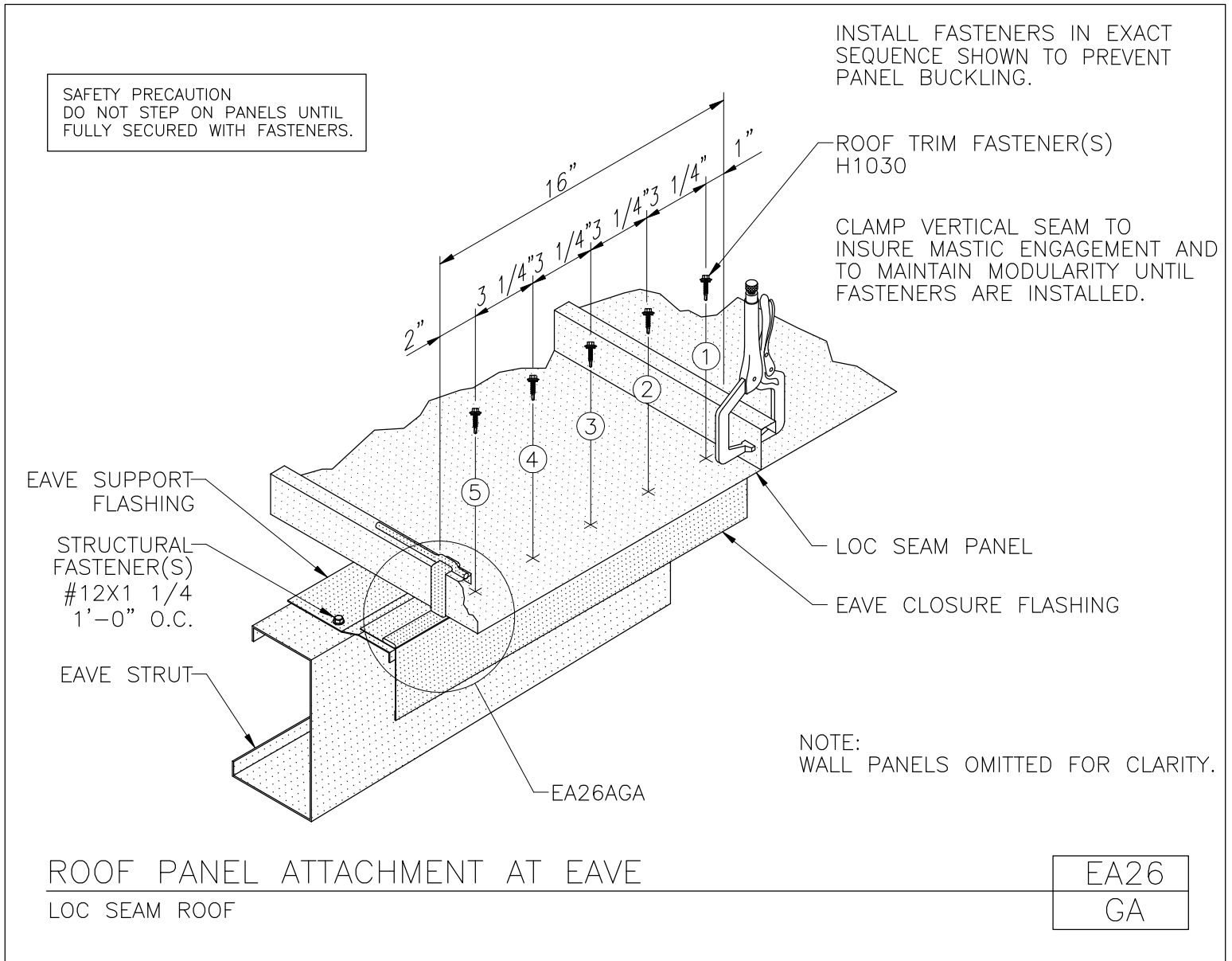
# PRODUCT MANUAL

LOC SEAM PANEL

## Roof Panel Attachment at Eave

Loc Seam Panel

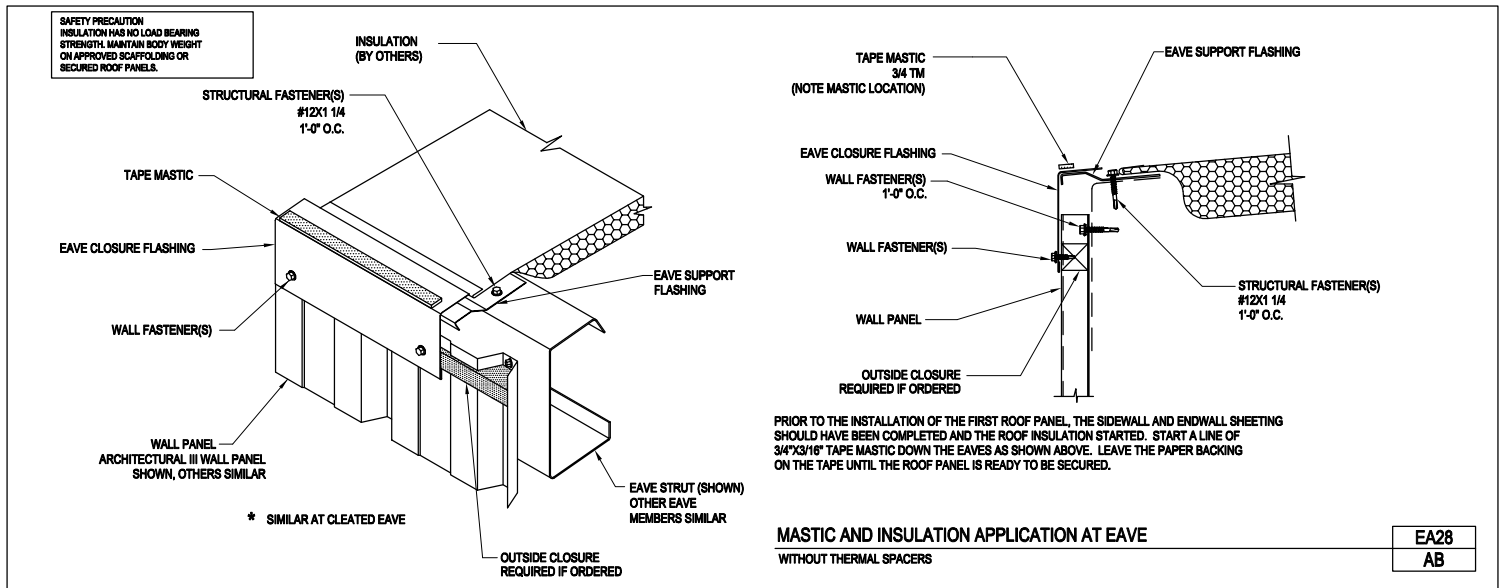
EA26/GA



[Download the DWG file by clicking here.](#)

[To Section Index](#)

Mastic and Insulation Application at Eave  
Without Thermal Spacers  
EA28/AB



[Download the DWG file by clicking here.](#)

[To Section Index](#)



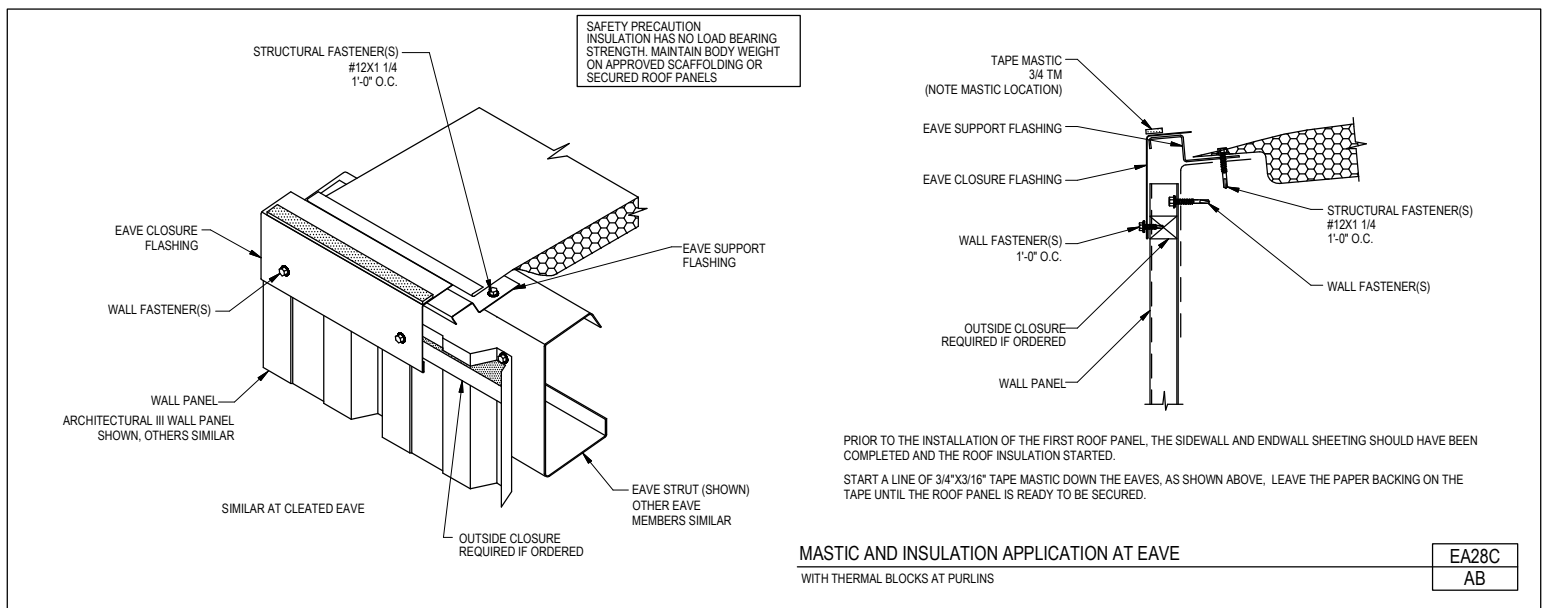
# AMERICAN BUILDINGS

A NUCOR COMPANY

# PRODUCT MANUAL

## LOC SEAM PANEL

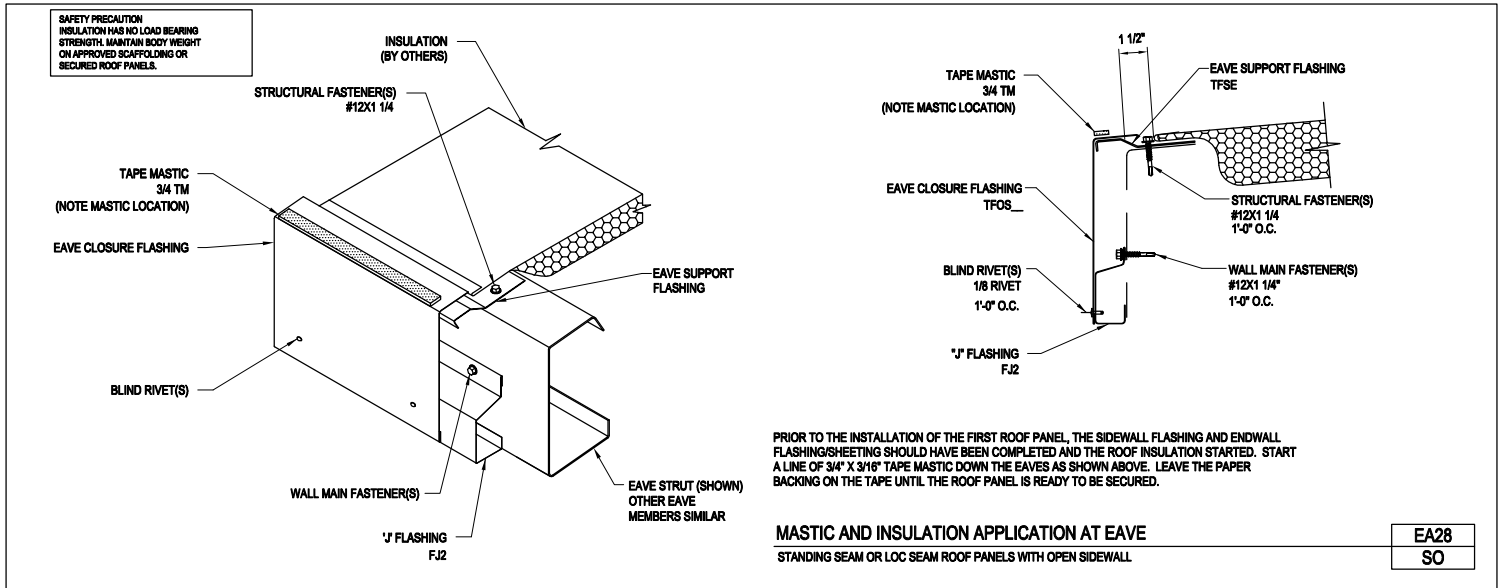
### Mastic and Insulation Application at Eave With Thermal Blocks at Purlins EA28C/AB



[Download the DWG file by clicking here.](#)

[To Section Index](#)

Mastic and Insulation Application at Eave  
Standing Seam or Loc Seam Roof Panels with Open Sidewall  
EA28/SO



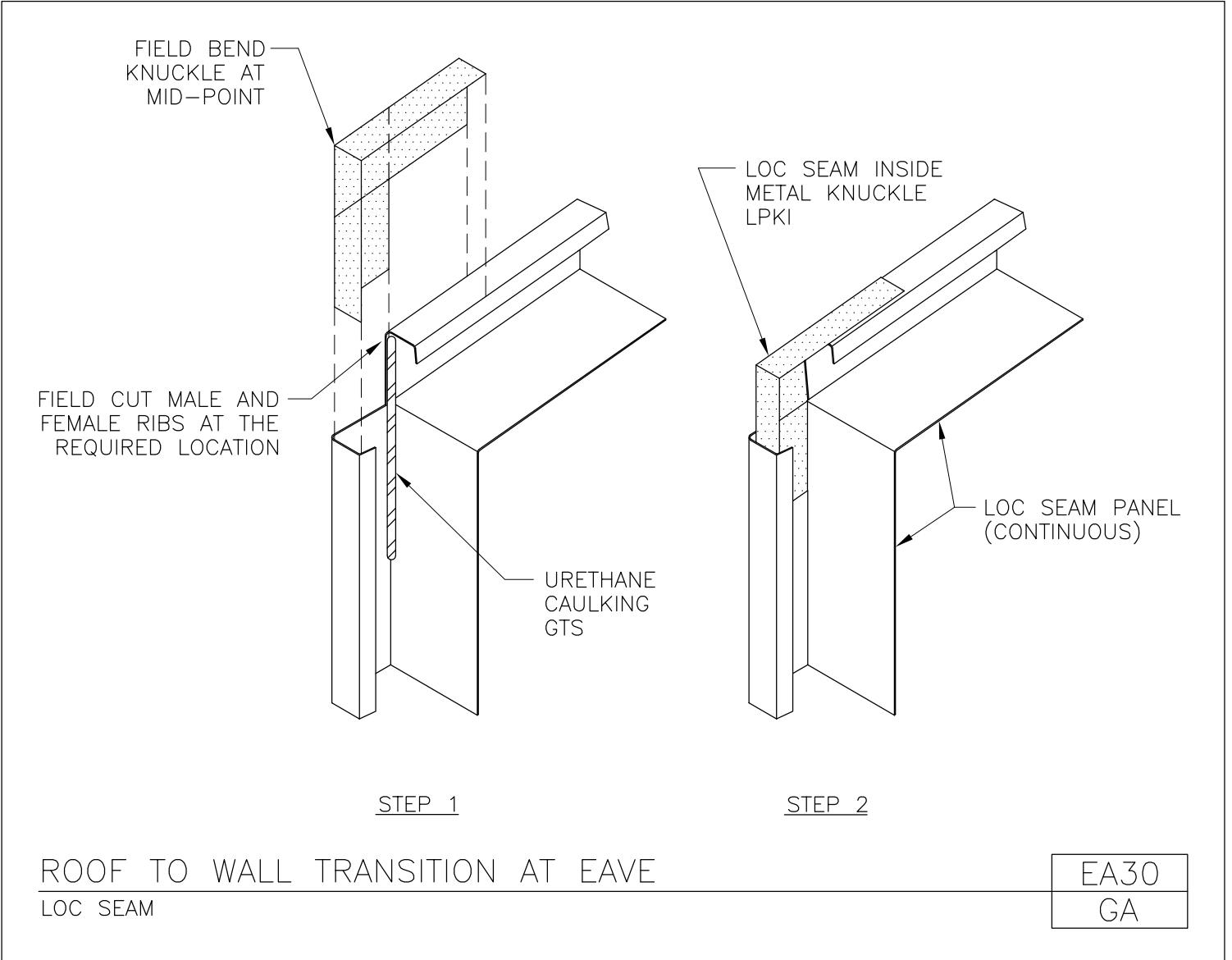
[Download the DWG file by clicking here.](#)

[To Section Index](#)

Roof to Wall Transition at Eave

Loc Seam Panel

EA30/GA



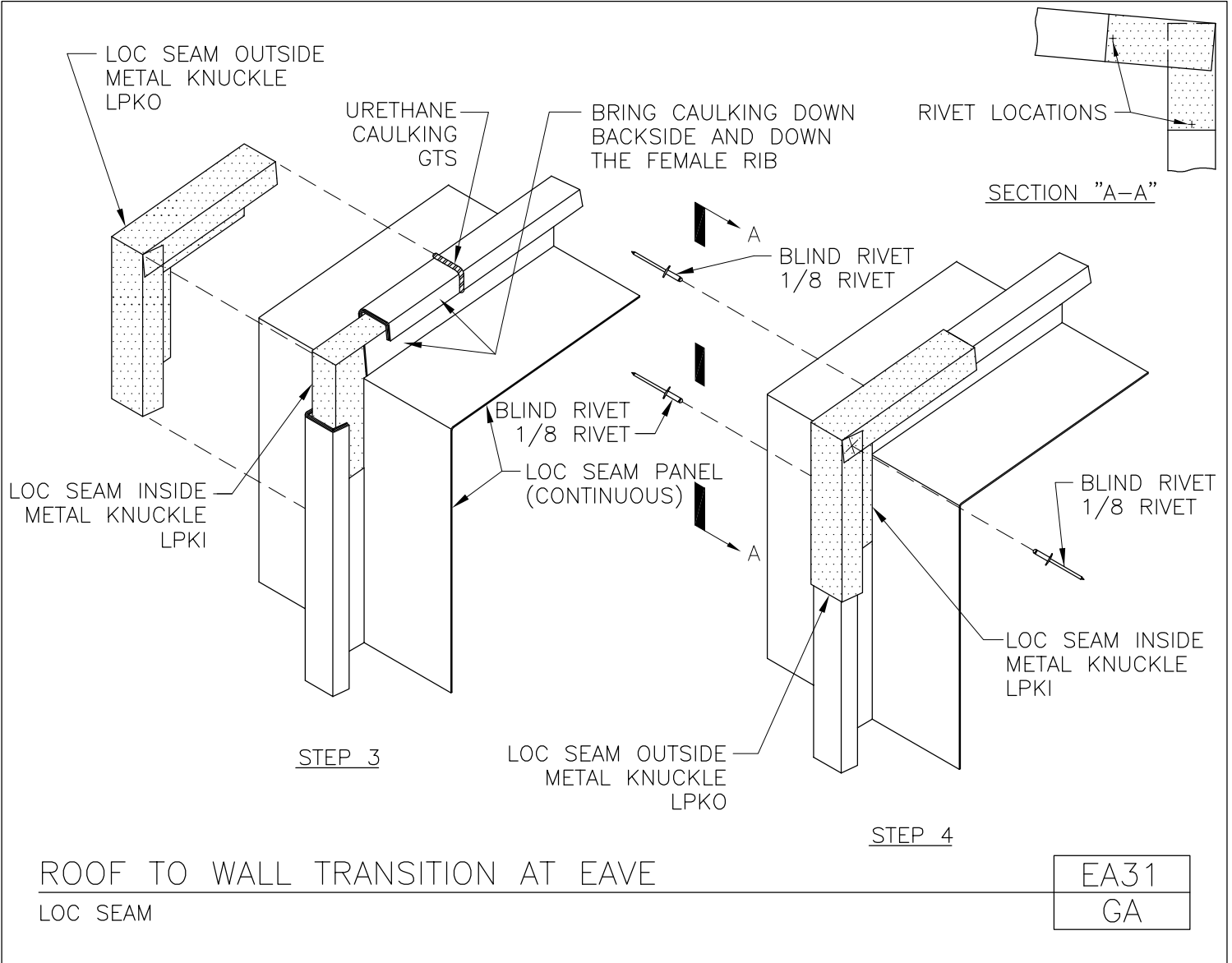
[Download the DWG file by clicking here.](#)

[To Section Index](#)

Roof to Wall Transition at Eave

Loc Seam Panel

EA31/GA



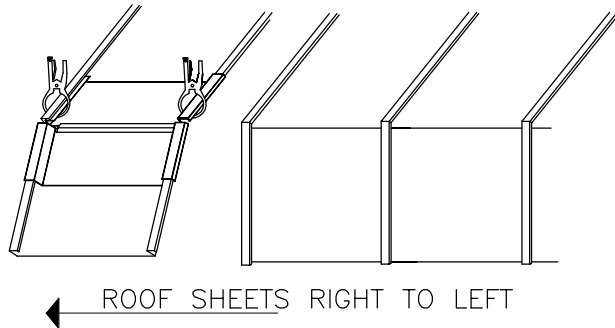
[Download the DWG file by clicking here.](#)

[To Section Index](#)



Roof to Wall Transition at Mini-Brake

EA32/GA



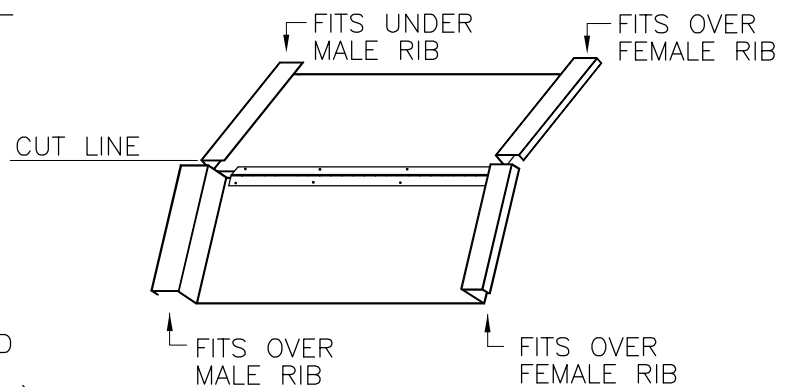
NOTE:  
PLACE CLAMPS NO MORE THAN  
2 1/2" FROM HINGE

SIMPLE TO USE....

DO NOT ATTACH NEW PANEL TO CLIPS  
BEFORE BENDING.

CUT THE RIBS OF THE PANEL AT THE FOLD  
LINE, ATTACH THE "MANSARD MINI BRAKE"  
WITH "C" CLAMP VISE GRIPS (NOT SUPPLIED)  
WITH THE JOINT OF THE UNIT AT THE CUT  
LINE. PUSH THE LOWER SECTION OF THE UNIT  
DOWN TO 10 DEGREES MORE THAN THE ANGLE OF  
THE MANSARD. THIS ALLOWS FOR THE SPRING OF  
THE ROOF PANEL. PLACE PANEL IN POSITION AND  
ATTACH PANEL CLIP APPROX. 6" DOWN FROM  
FOLD LINE ON FACE OF MANSARD. FASTEN THE  
LOWER EDGE OF THE PANEL, REMOVE THE  
"MANSARD MINI BRAKE" & MOVE TO THE NEXT  
PANEL.

MINI BRAKE AVAILABLE IN 16" AND 12"  
CONTACT YOUR CUSTOMER SERVICE  
COORDINATOR



PANEL MUST BE  
CUT THRU  
RADIUS BEND

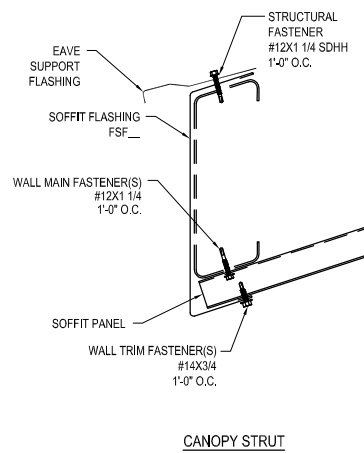
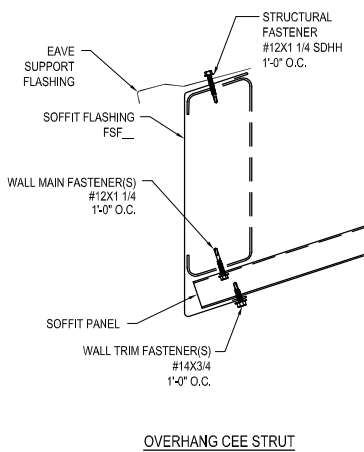
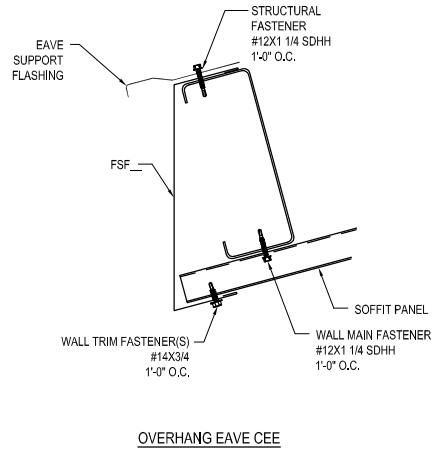
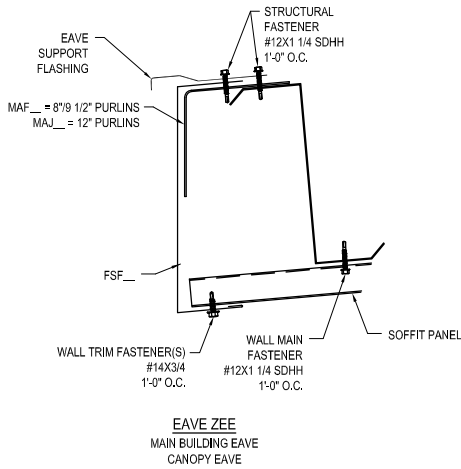
ROOF TO WALL TRANSITION AT MINI-BRAKE

EA32
GA

[Download the DWG file by clicking here.](#)

[To Section Index](#)

Eave Member Type at Low Side  
With Soffit  
EA38/AA



NOTE: EAVE SUPPORT FLASHING NOT REQ'D FOR LONG SPAN III ROOF PANELS

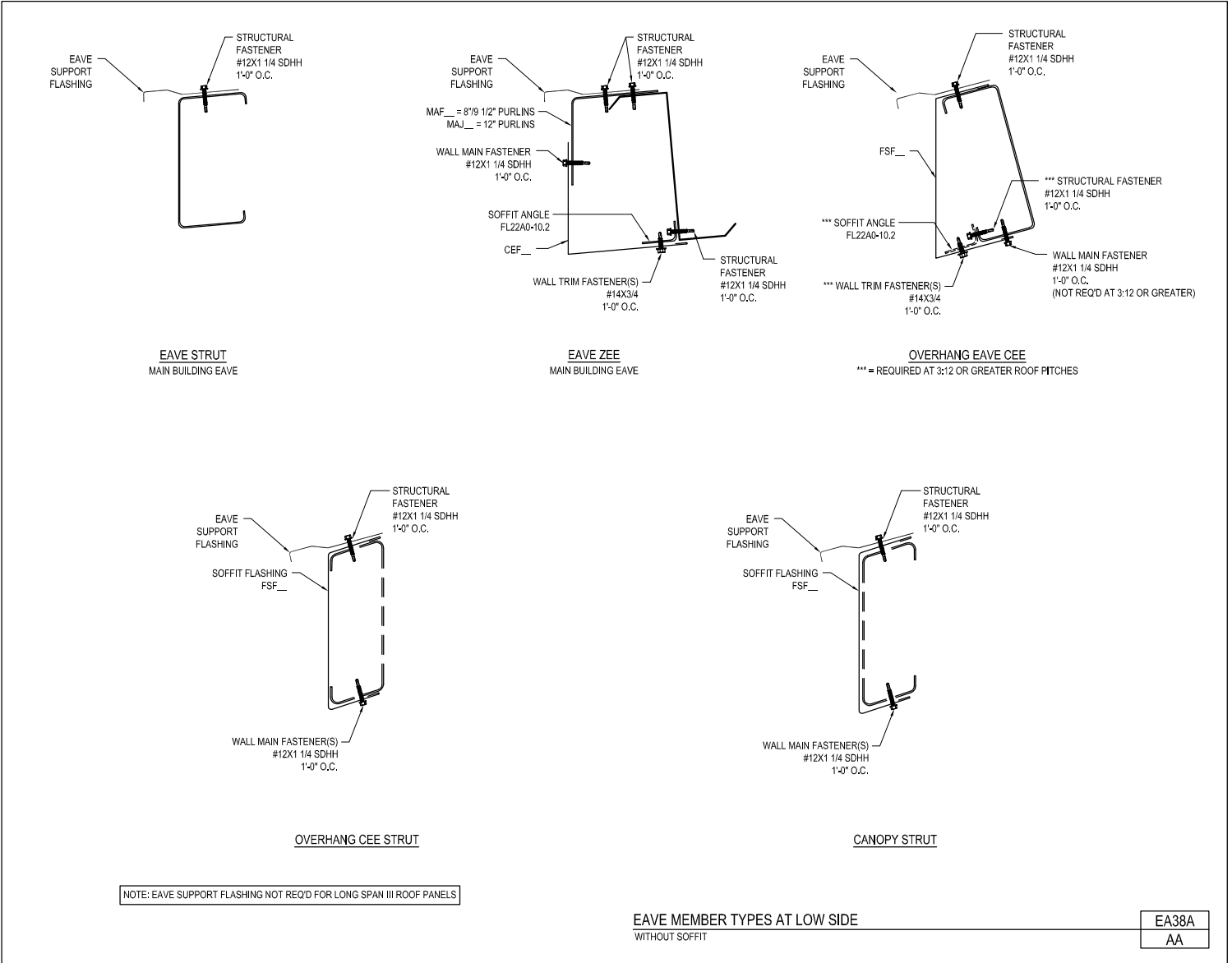
EAVE MEMBER TYPES AT LOW SIDE  
WITH SOFFIT

EA38  
AA

[Download the DWG file by clicking here.](#)

[To Section Index](#)

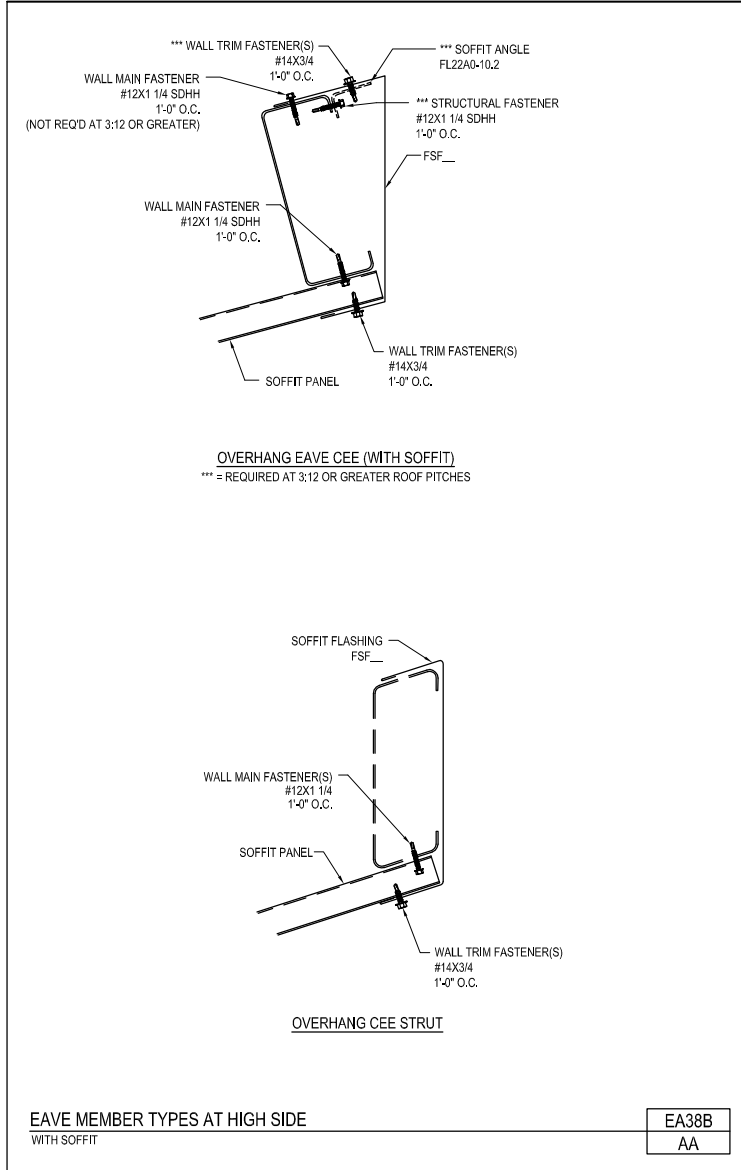
Eave Member Type at Low Side  
Without Soffit  
EA38A/AA



[Download the DWG file by clicking here.](#)

[To Section Index](#)

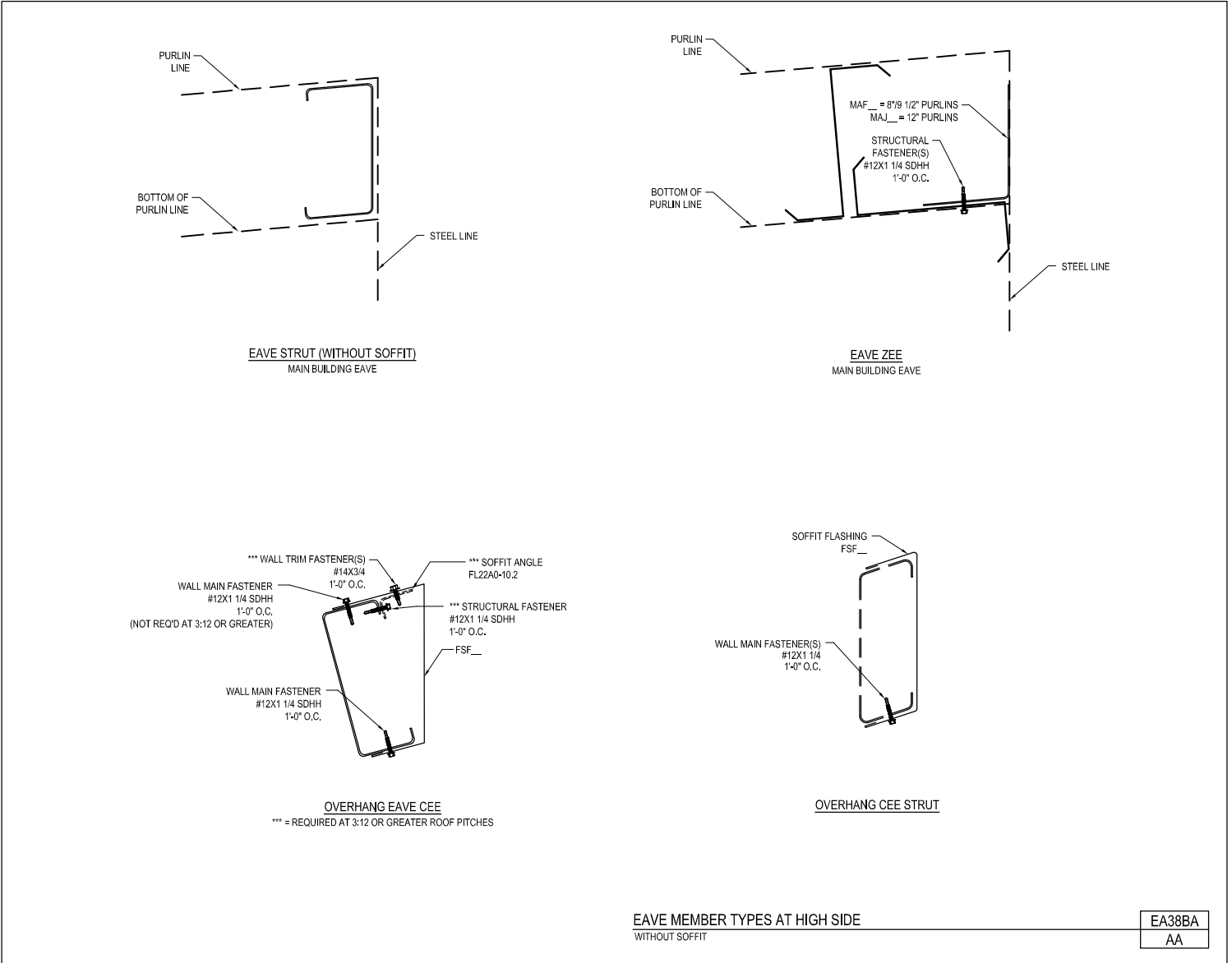
Eave Member Type at High Side  
With Soffit  
EA38B/AA



[Download the DWG file by clicking here.](#)

[To Section Index](#)

Eave Member Type at High Side  
Without Soffit  
EA38BA/AA



[Download the DWG file by clicking here.](#)

[To Section Index](#)



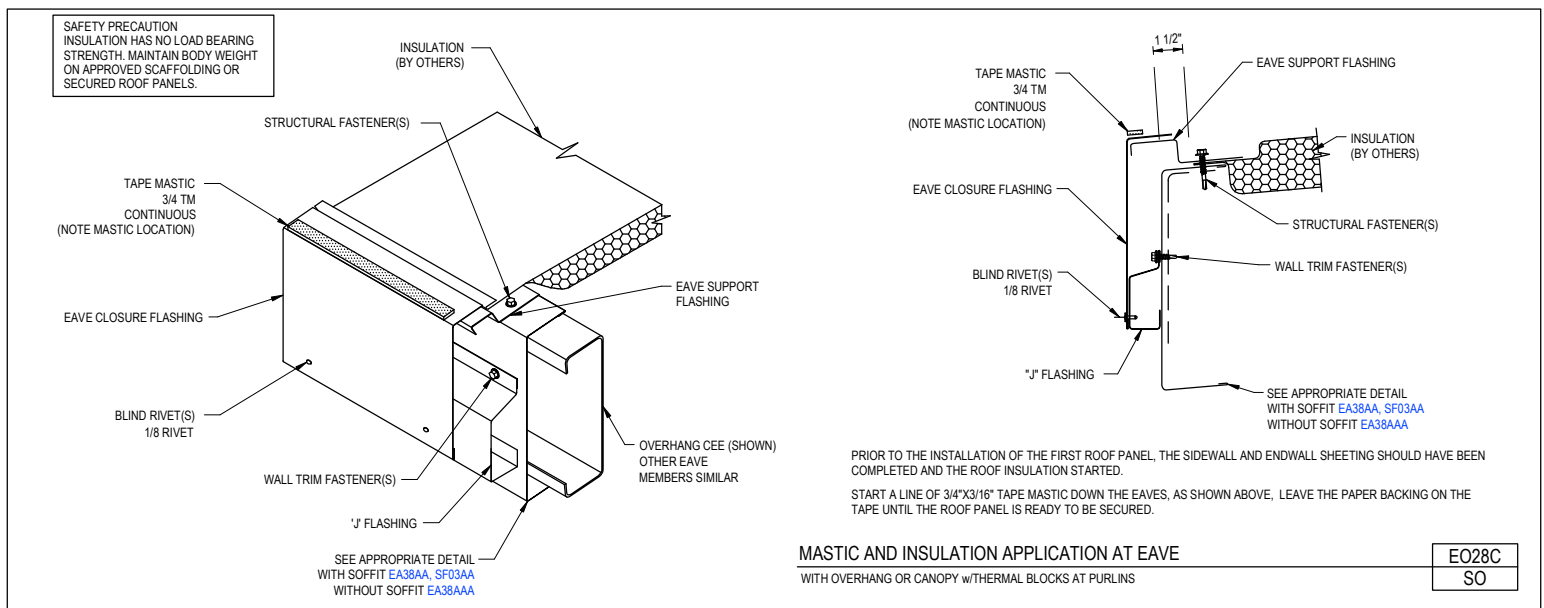
# AMERICAN BUILDINGS

A NUCOR COMPANY

# PRODUCT MANUAL

## LOC SEAM PANEL

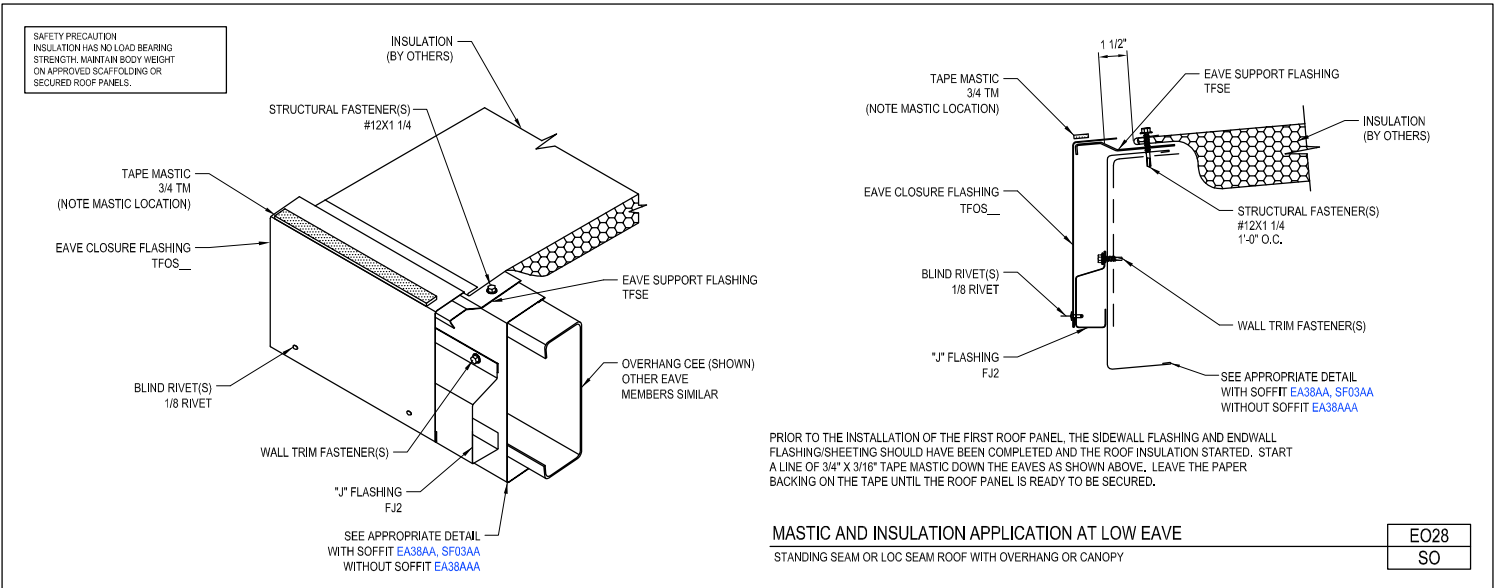
### Mastic and Insulation Application at Eave With Overhang w/ Thermal Blocks at Purlins EO28C/SO



[Download the DWG file by clicking here.](#)

[To Section Index](#)

Mastic and Insulation Application at Low Eave  
Standing Seam or Loc Seam Roof w/ Overhang  
EO28/SO

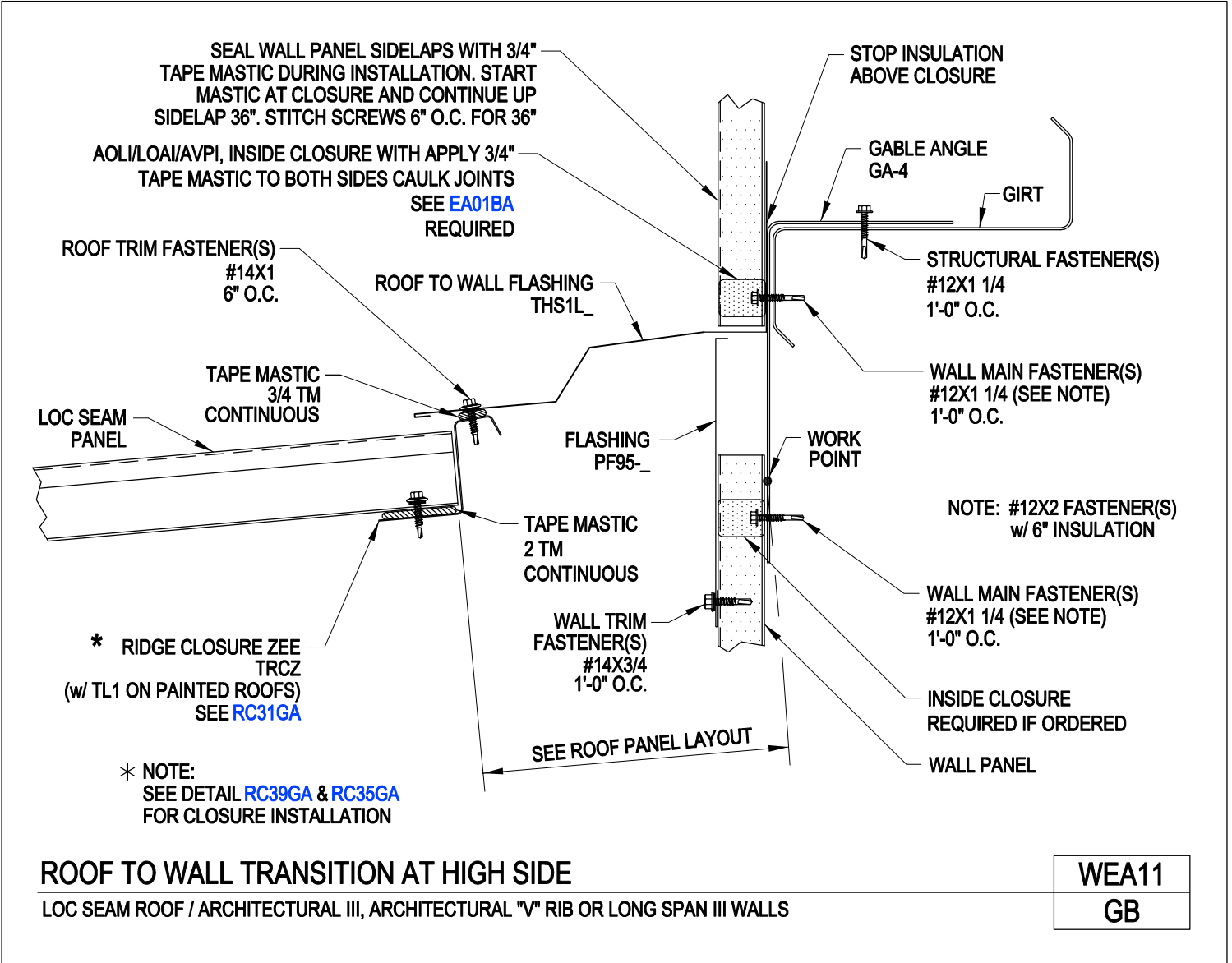


PRIOR TO THE INSTALLATION OF THE FIRST ROOF PANEL, THE SIDEWALL FLASHING AND ENDWALL FLASHING/SHEETING SHOULD HAVE BEEN COMPLETED AND THE ROOF INSULATION STARTED. START A LINE OF 3/4" X 3/16" TAPE MASTIC DOWN THE EAVES AS SHOWN ABOVE. LEAVE THE PAPER BACKING ON THE TAPE UNTIL THE ROOF PANEL IS READY TO BE SECURED.

[Download the DWG file by clicking here.](#)

[To Section Index](#)

Roof to Wall Transition at High Side  
 Loc Seam Roof / Architectural III, Architectural "V" Rib or Long Span III Walls  
 WEA11GB



## ROOF TO WALL TRANSITION AT HIGH SIDE

LOC SEAM ROOF / ARCHITECTURAL III, ARCHITECTURAL "V" RIB OR LONG SPAN III WALLS

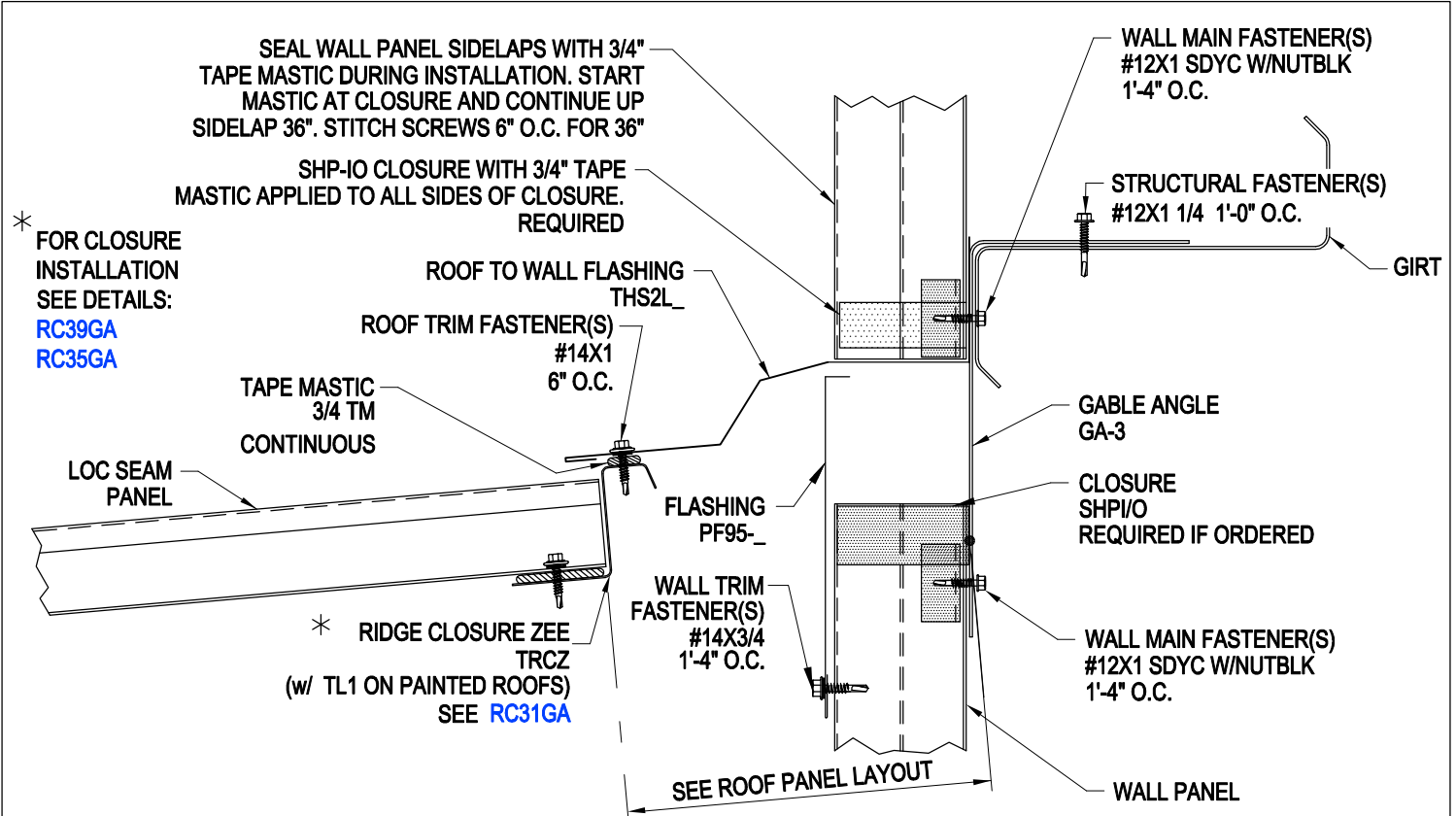
WEA11
GB

[Download the DWG file by clicking here.](#)

[To Section Index](#)



Roof to Wall Transition at High Side  
 Loc Seam Roof / Shadow Panel Walls  
 WEA11GD



## ROOF TO WALL TRANSITION AT HIGH SIDE

LOC-SEAM ROOF / SHADOW PANEL WALLS

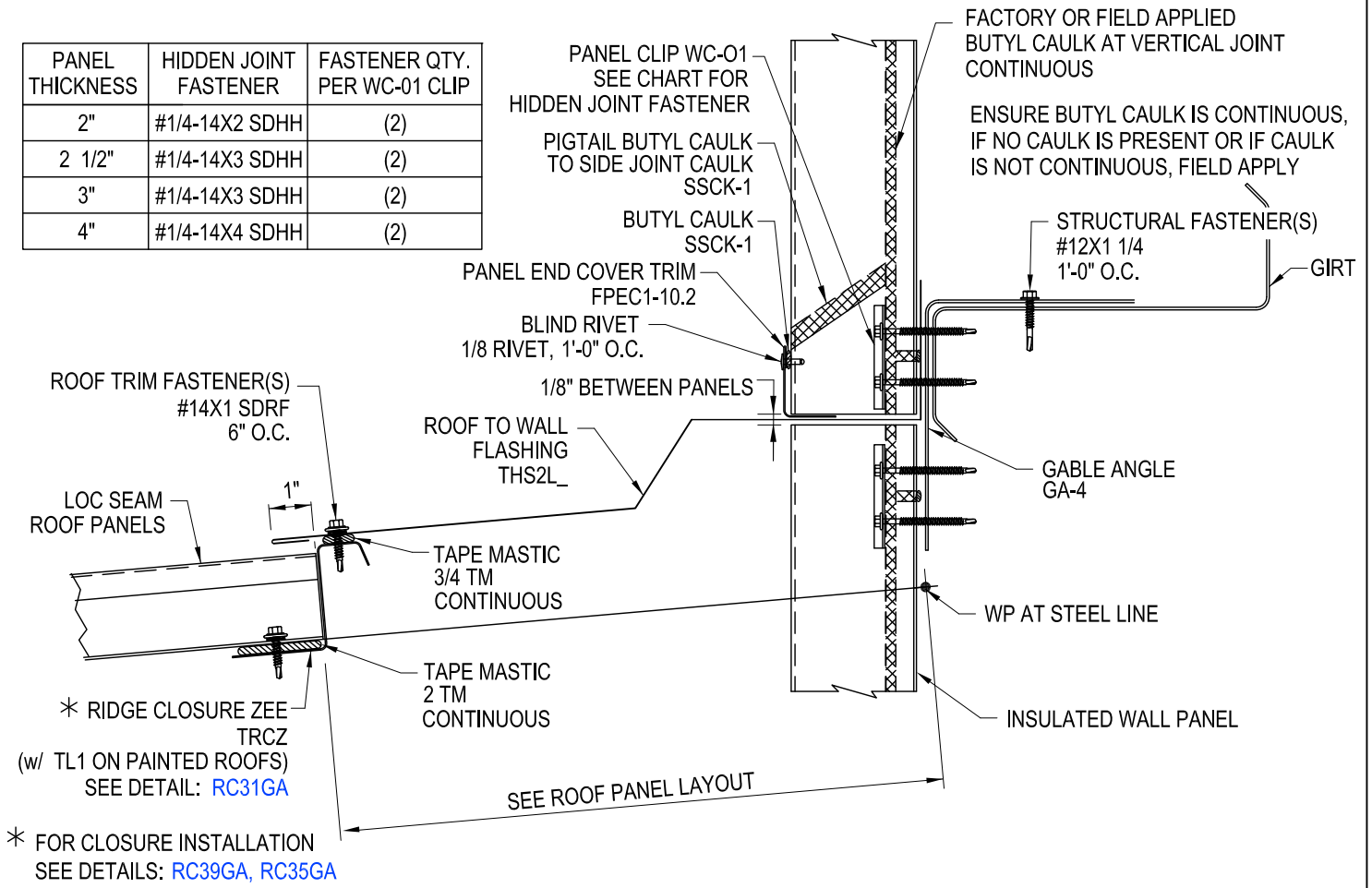
WEA11
GD

[Download the DWG file by clicking here.](#)

[To Section Index](#)

Roof to Wall Transition at High Side  
 Loc Seam Roof / Insulated Wall Panels  
 WEA11GW

PANEL THICKNESS	HIDDEN JOINT FASTENER	FASTENER QTY. PER WC-01 CLIP
2"	#1/4-14X2 SDHH	(2)
2 1/2"	#1/4-14X3 SDHH	(2)
3"	#1/4-14X3 SDHH	(2)
4"	#1/4-14X4 SDHH	(2)



## ROOF TO WALL TRANSITION AT HIGH SIDE

LOC-SEAM ROOF / INSULATED WALL PANELS

WEA11
GW

[Download the DWG file by clicking here.](#)

[To Section Index](#)