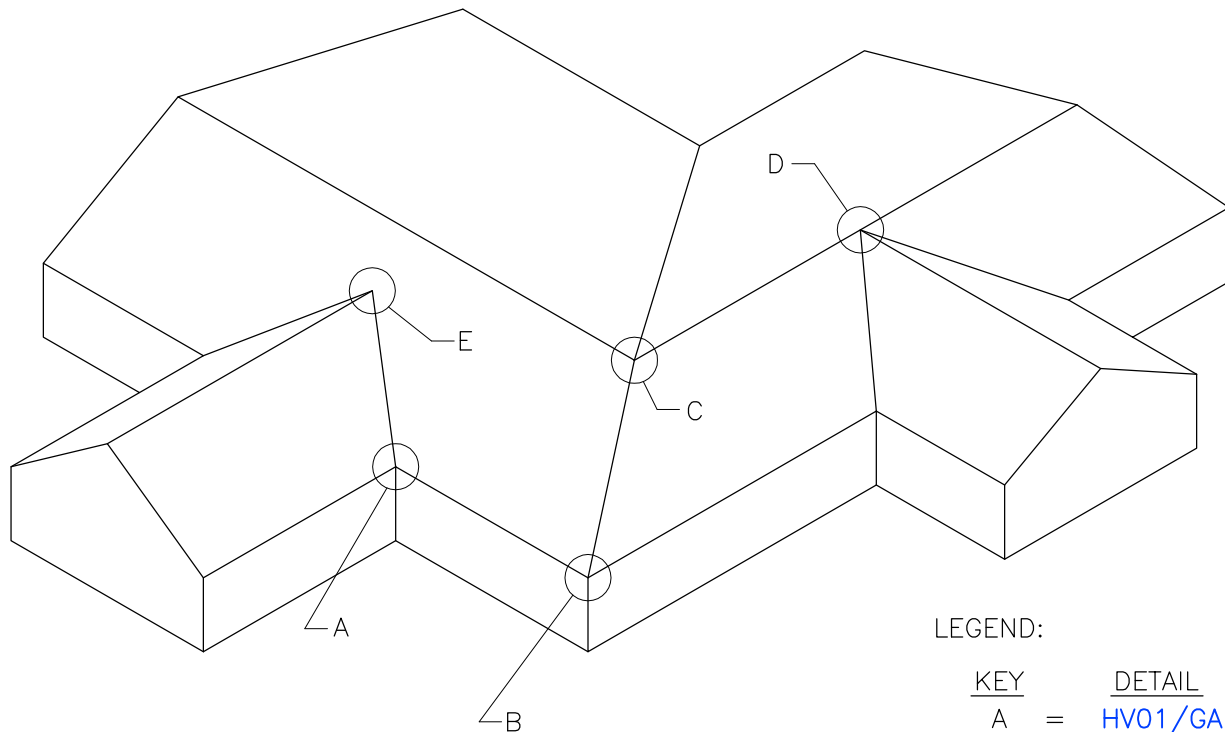


Product Manual - Loc Seam Panels - Hip and Valley

HV0A/GA, Hip and Valley Details Key Plan
HV01/AA, Roof Framing Plan at Valley
HV01/GA, Valley Detail at Eave
HV02/GA, Hip Detail at Eave
HV03/GA, Hip and Valley Detail at Ridge
HV04/GA, Hip and Valley Detail at Ridge
HV05/GA, Valley Detail at Ridge
HV06F/GA, Hemmed Valley Detail
HV06/GA, Valley Flashing Detail
HV07/GA, Panel Detail at Valley
HV09/GA, Panel Detail at Hip
HV11A/GA, Cleated Hip Flashing Detail
HV11/GA, Hip Flashing Detail
HV12/AA, Section Through Valley at Framing
HV13/AA, Section Through Hip at Frame
HV13A/AA, Section Through Alternating Brace Channel
HV14/AA, Roof Framing Plan at Hip
HV15A/GA, Critical Caulking for Hemmed Valley
HV15/GA, Sidelap Sealant Detail at Valley
HV16/GA, Side Lap Sealant Detail at Hip
HV17/AA, Section Through Valley at Eave Strut
HV18/AA, Connection at Valley Eave Strut
HV26C/GA, Retrofit - Valley Framing Detail w/ Thermal Blocks
HV26F/GA, Retrofit - Hemmed Valley Framing Detail
HV26/GA, Retrofit - Valley Framing Detail
HV27/AA, Hip Expansion Flashing - Endcap Installation
HV90/AA, Hip and Valley Details General Notes

Hip and Valley Details Key Plan
Loc Seam Panel
HVOA/GA



LEGEND:

<u>KEY</u>	<u>DETAIL</u>
A =	HV01/GA
B =	HV02/GA
C =	HV03/GA
D =	HV04/GA
E =	HV05/GA

HIP AND VALLEY DETAILS KEY PLAN
LOC SEAM ROOF

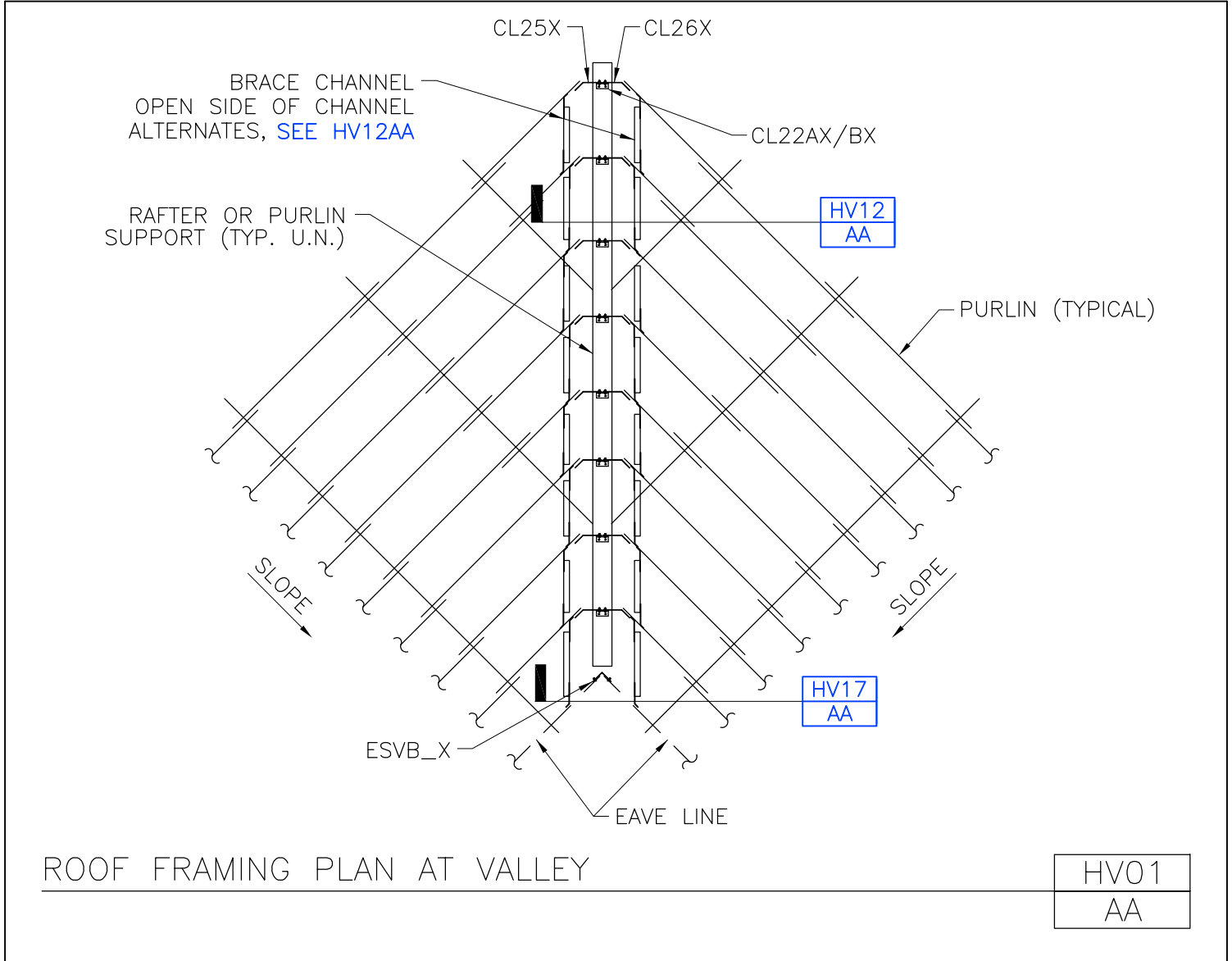
HVOA
GA

[Download the DWG file by clicking here.](#)

[To Section Index](#)

Roof Framing Plan at Valley

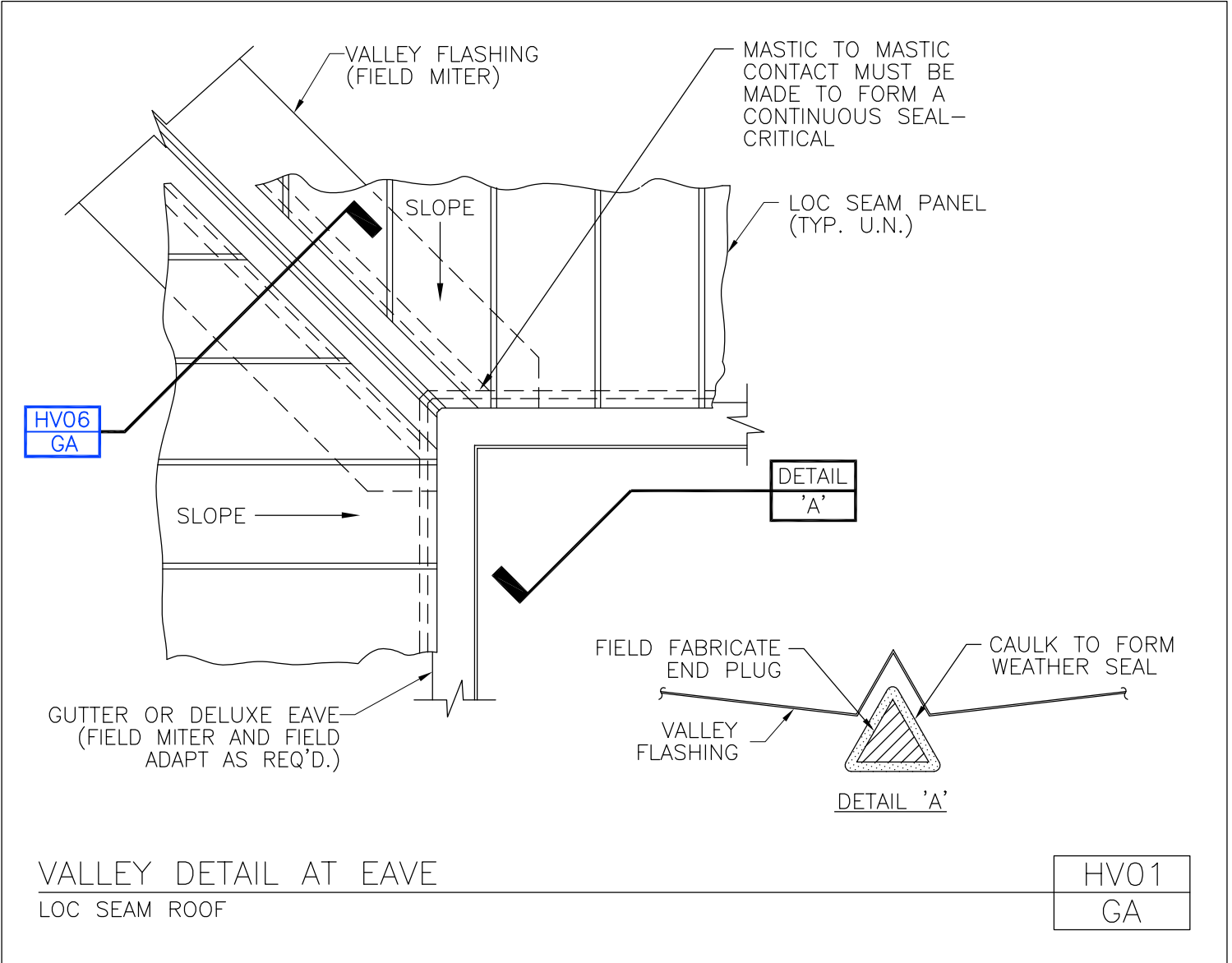
HV01/AA



[Download the DWG file by clicking here.](#)

[To Section Index](#)

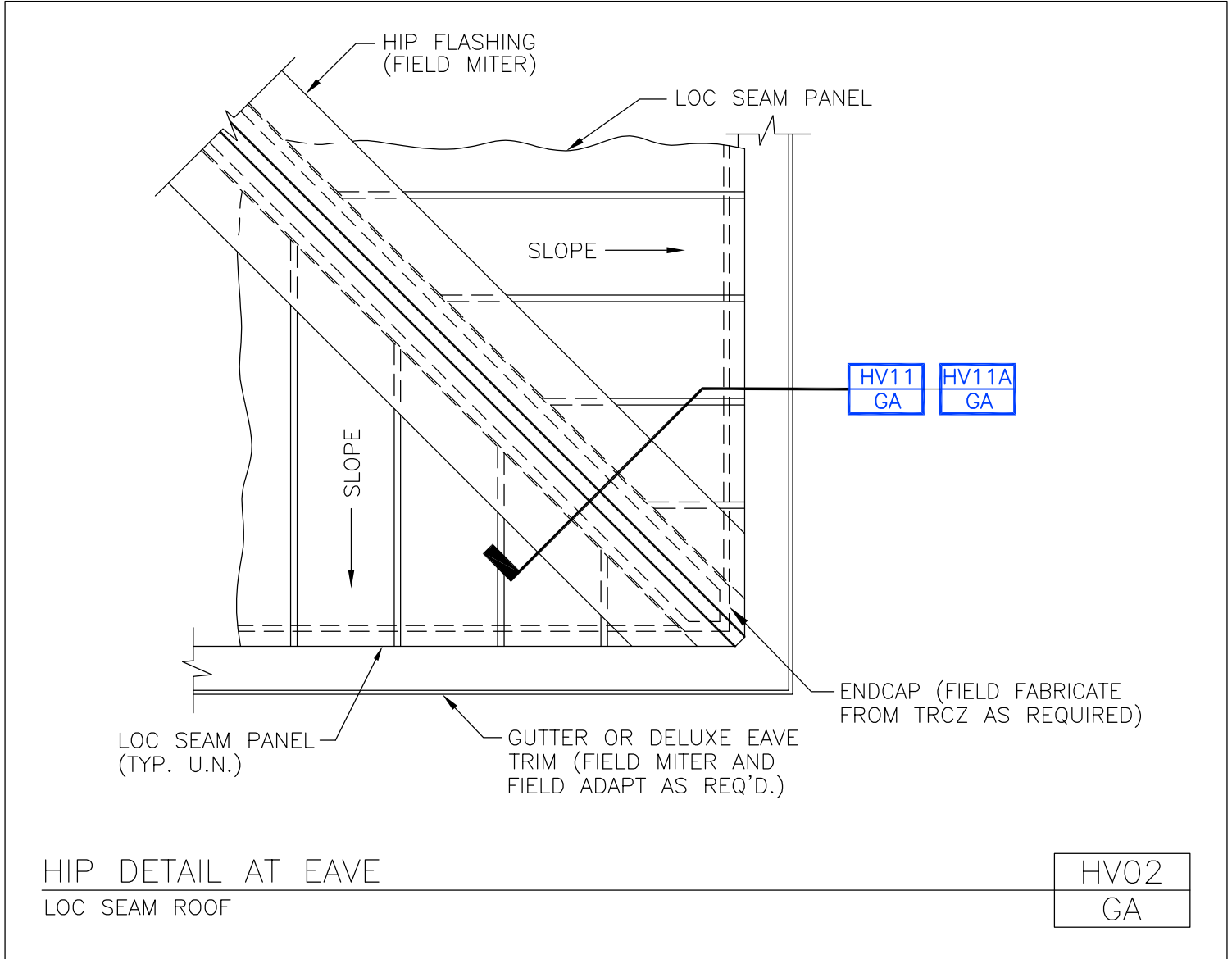
Valley Detail at Eave
 Loc Seam Panel
 HV01/GA



[Download the DWG file by clicking here.](#)

[To Section Index](#)

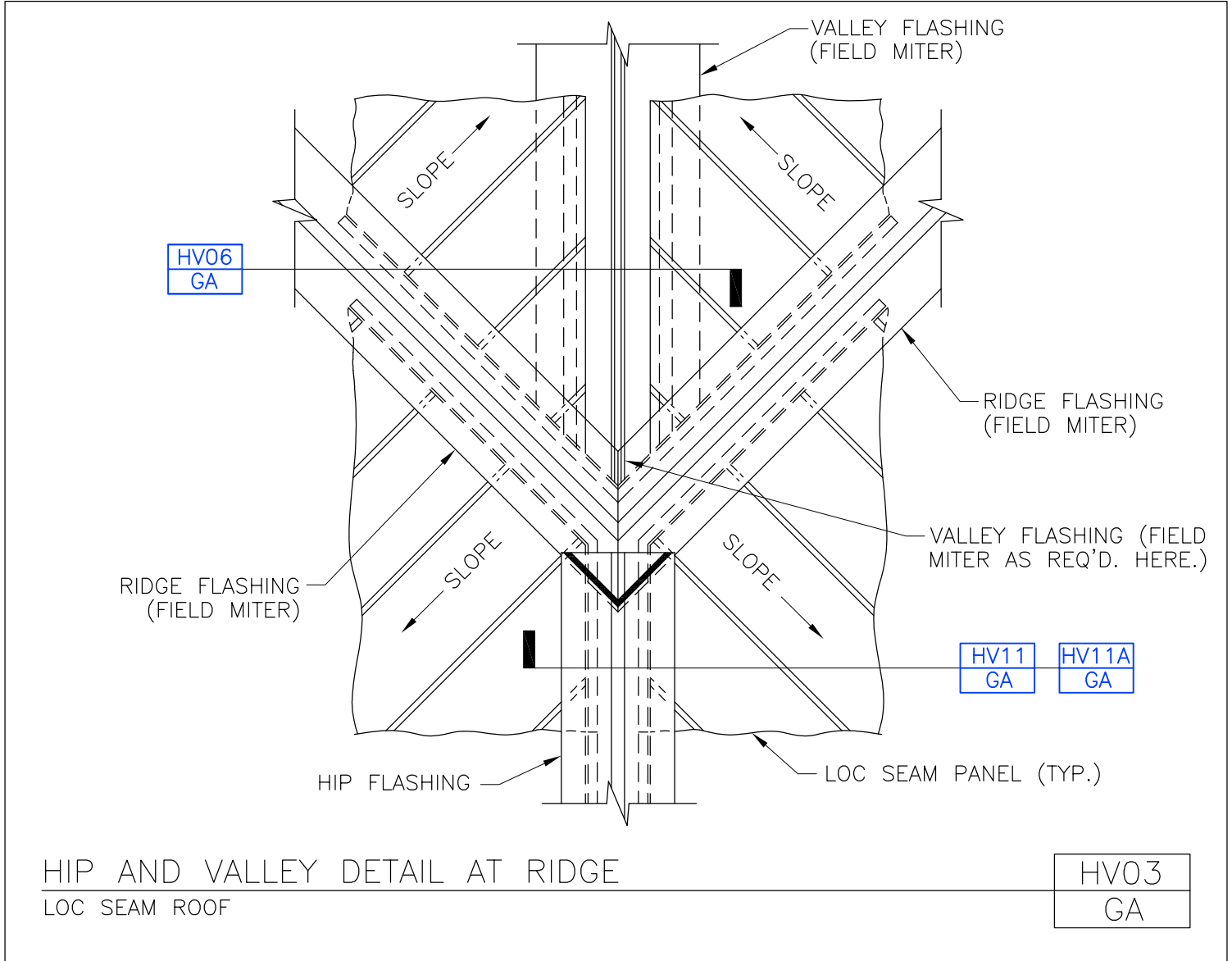
Hip Detail at Eave
Loc Seam Panel
HV02/GA



[Download the DWG file by clicking here.](#)

[To Section Index](#)

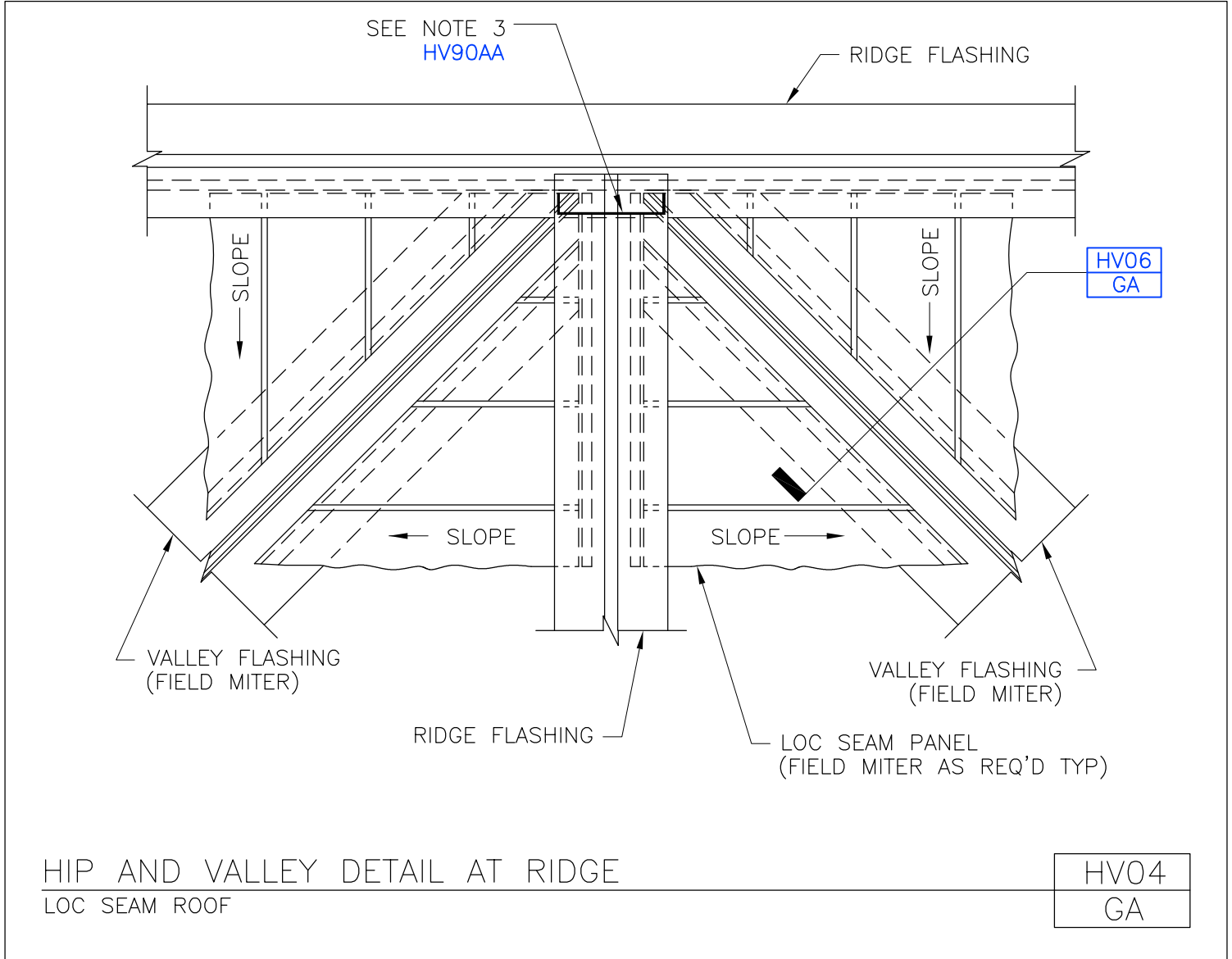
Hip and Valley Detail at Ridge
Loc Seam Panel
HV03/GA



[Download the DWG file by clicking here.](#)

[To Section Index](#)

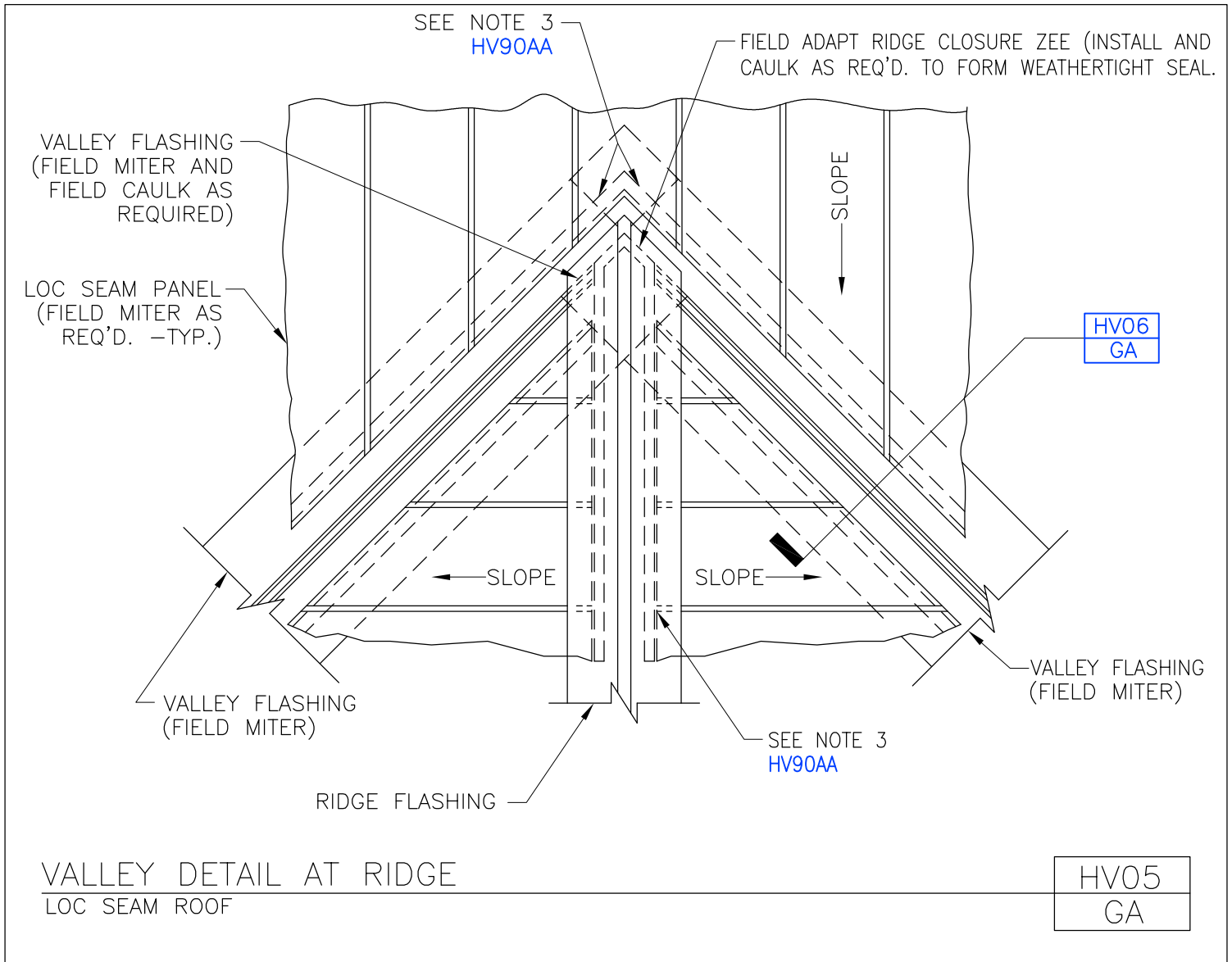
Hip and Valley Detail at Ridge
Loc Seam Panel
HV04/GA



[Download the DWG file by clicking here.](#)

[To Section Index](#)

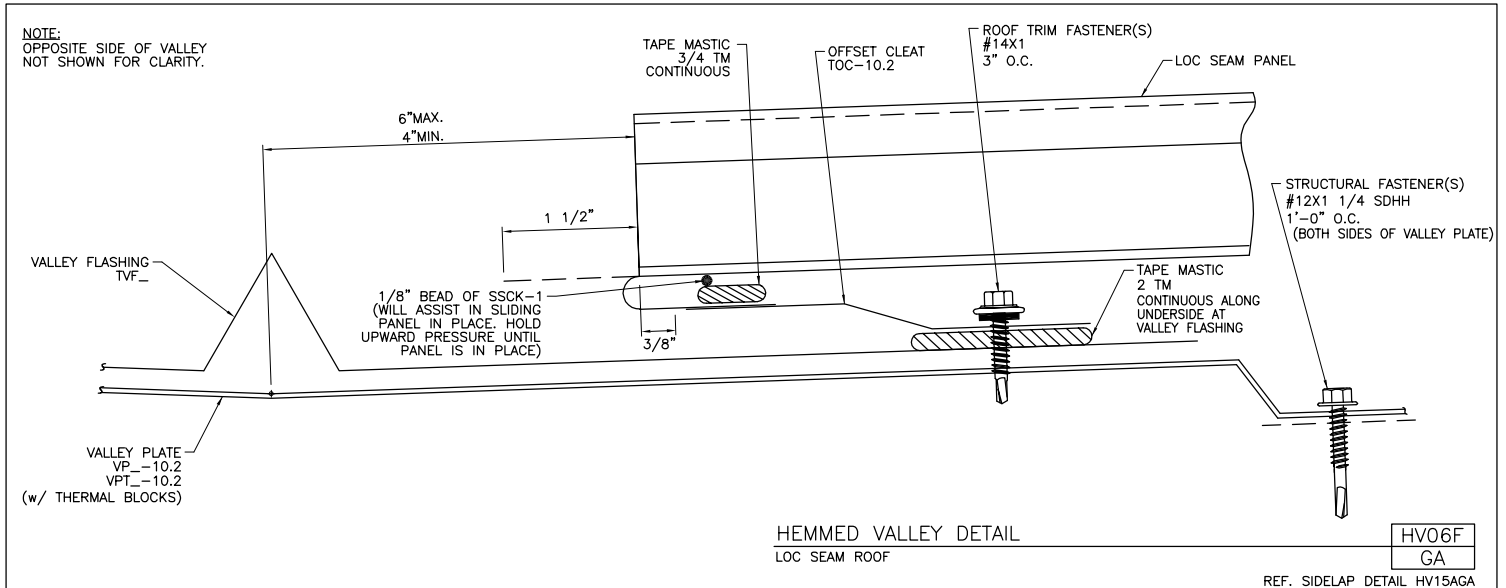
Valley Detail at Ridge
Loc Seam Panel
HV05/GA



[Download the DWG file by clicking here.](#)

[To Section Index](#)

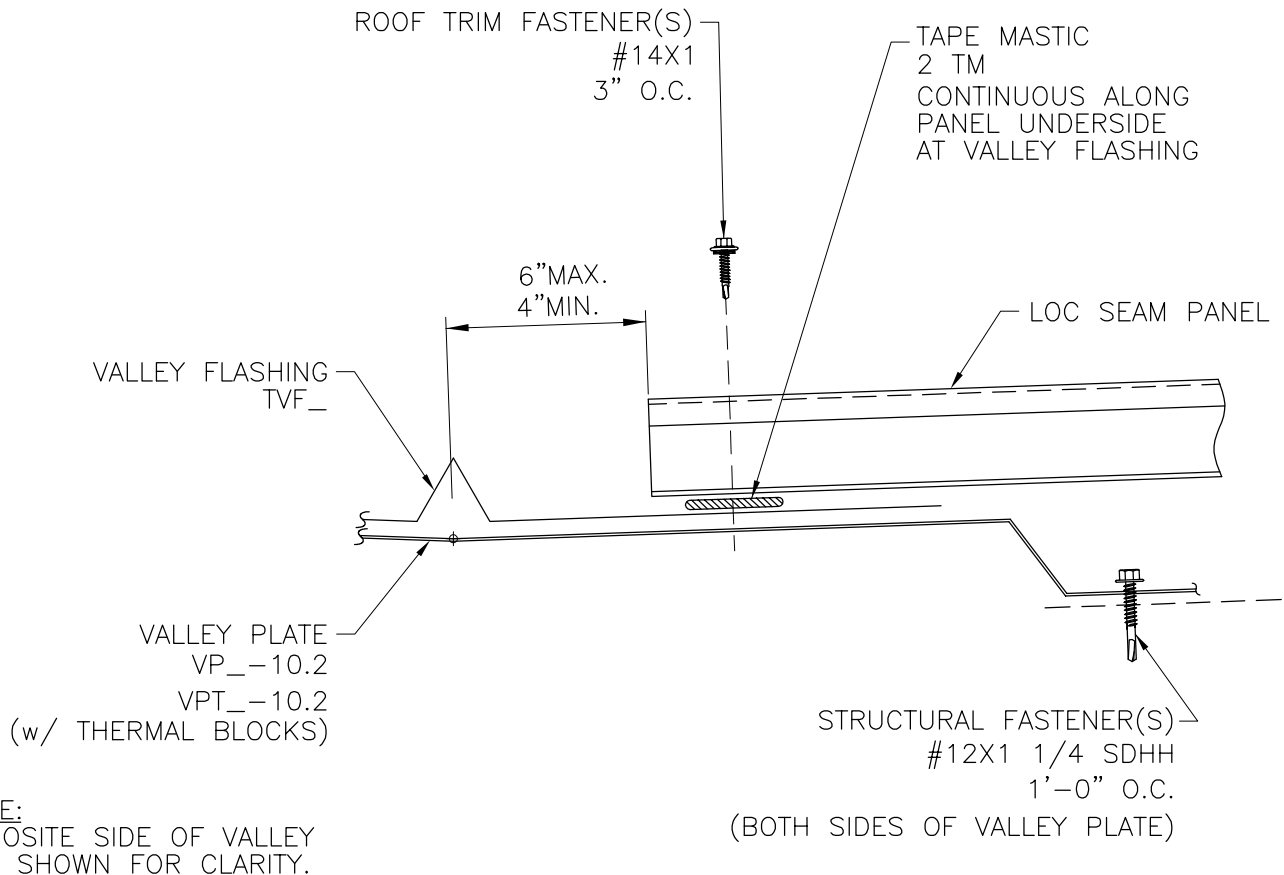
Hemmed Valley Detail
Loc Seam Panel
HV06F/GA



[Download the DWG file by clicking here.](#)

[To Section Index](#)

Valley Flashing Detail
Loc Seam Panel
HV06/GA



VALLEY FLASHING DETAIL

LOC SEAM ROOF

HV06

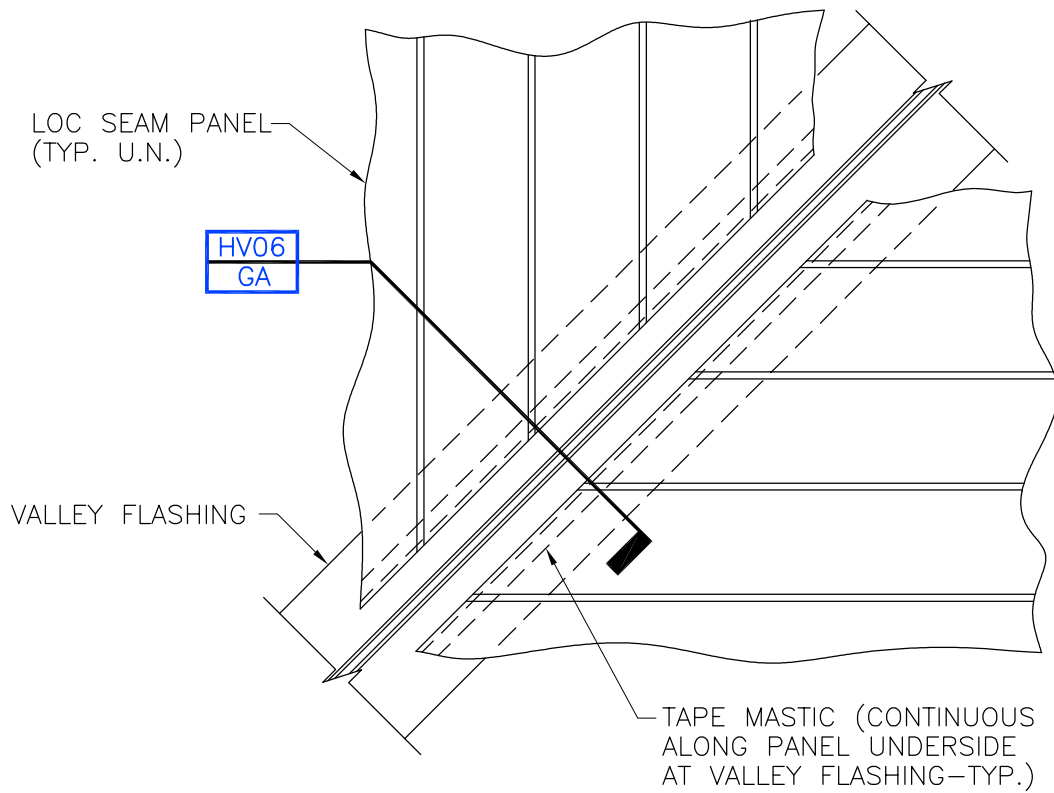
GA

REF. SIDELAP DETAIL HV15GA

[Download the DWG file by clicking here.](#)

[To Section Index](#)

Panel Detail at Valley
Loc Seam Panel
HV07/GA



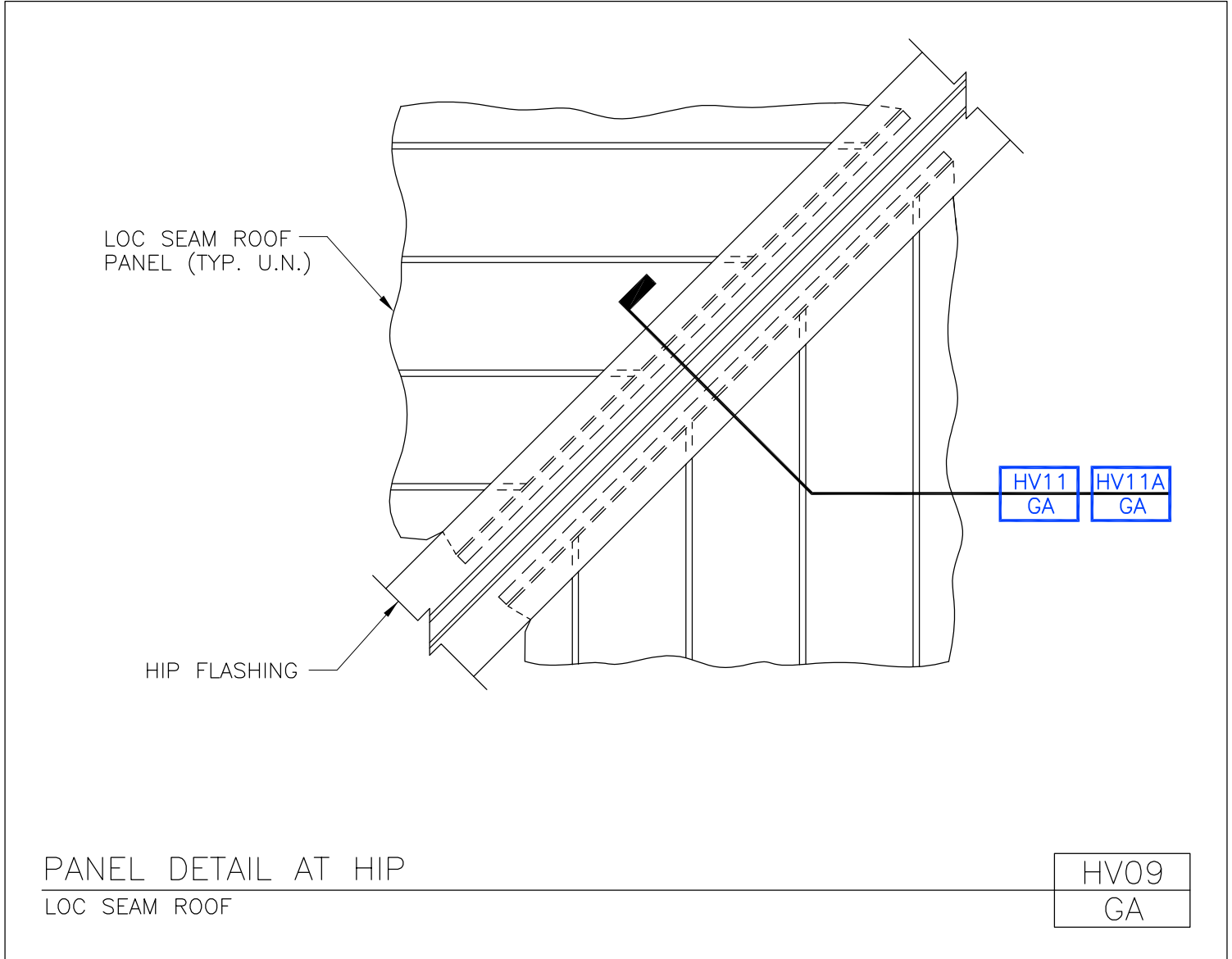
PANEL DETAIL AT VALLEY
LOC SEAM ROOF

HV07
GA

[Download the DWG file by clicking here.](#)

[To Section Index](#)

Panel Detail at Hip
Loc Seam Panel
HV09/GA

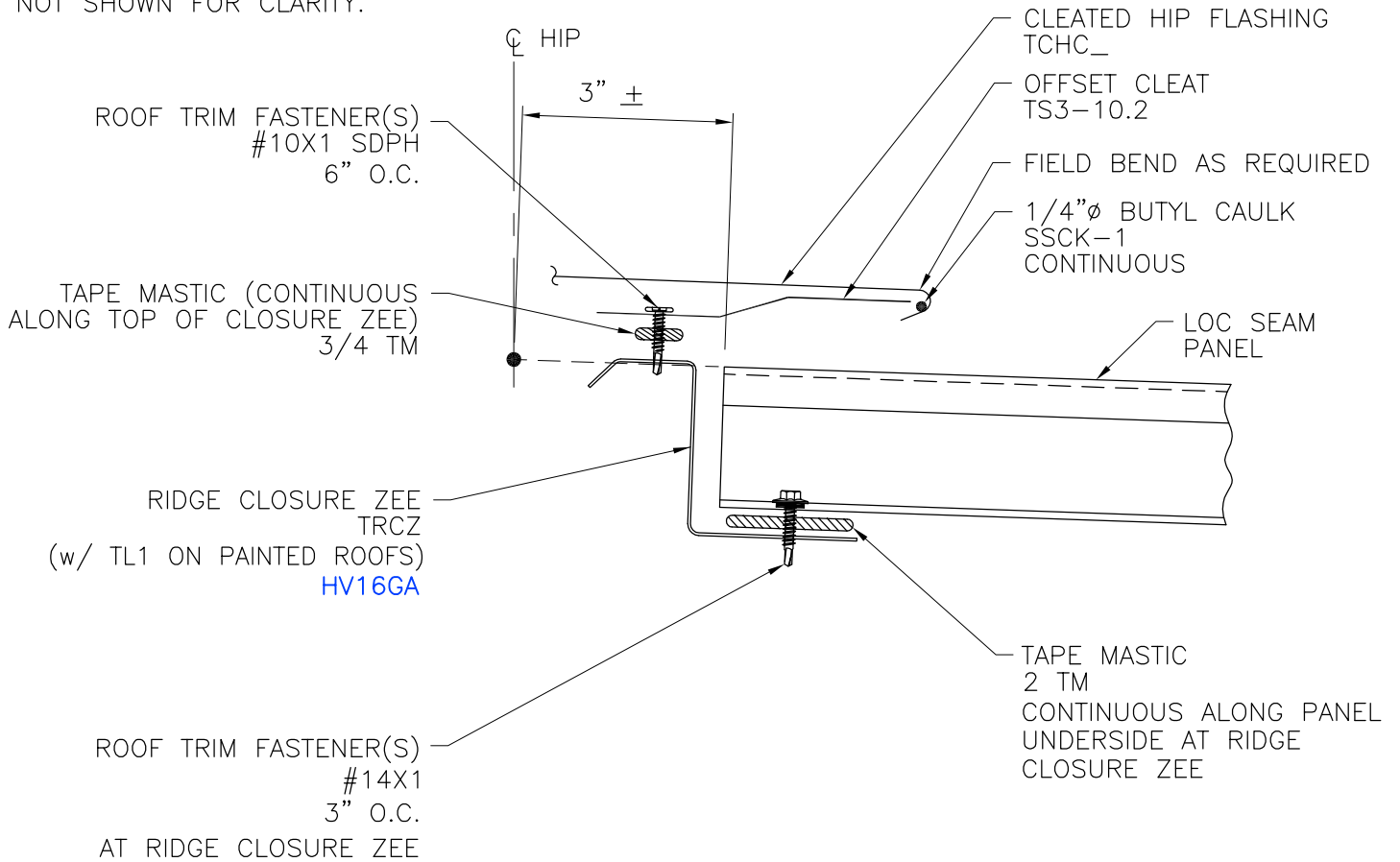


[Download the DWG file by clicking here.](#)

[To Section Index](#)

Cleated Hip Flashing Detail
Loc Seam Panel
HV11A/GA

NOTE:
OPPOSITE SIDE OF HIP
NOT SHOWN FOR CLARITY.



CLEATED HIP FLASHING DETAIL

LOC SEAM ROOF

HV11A

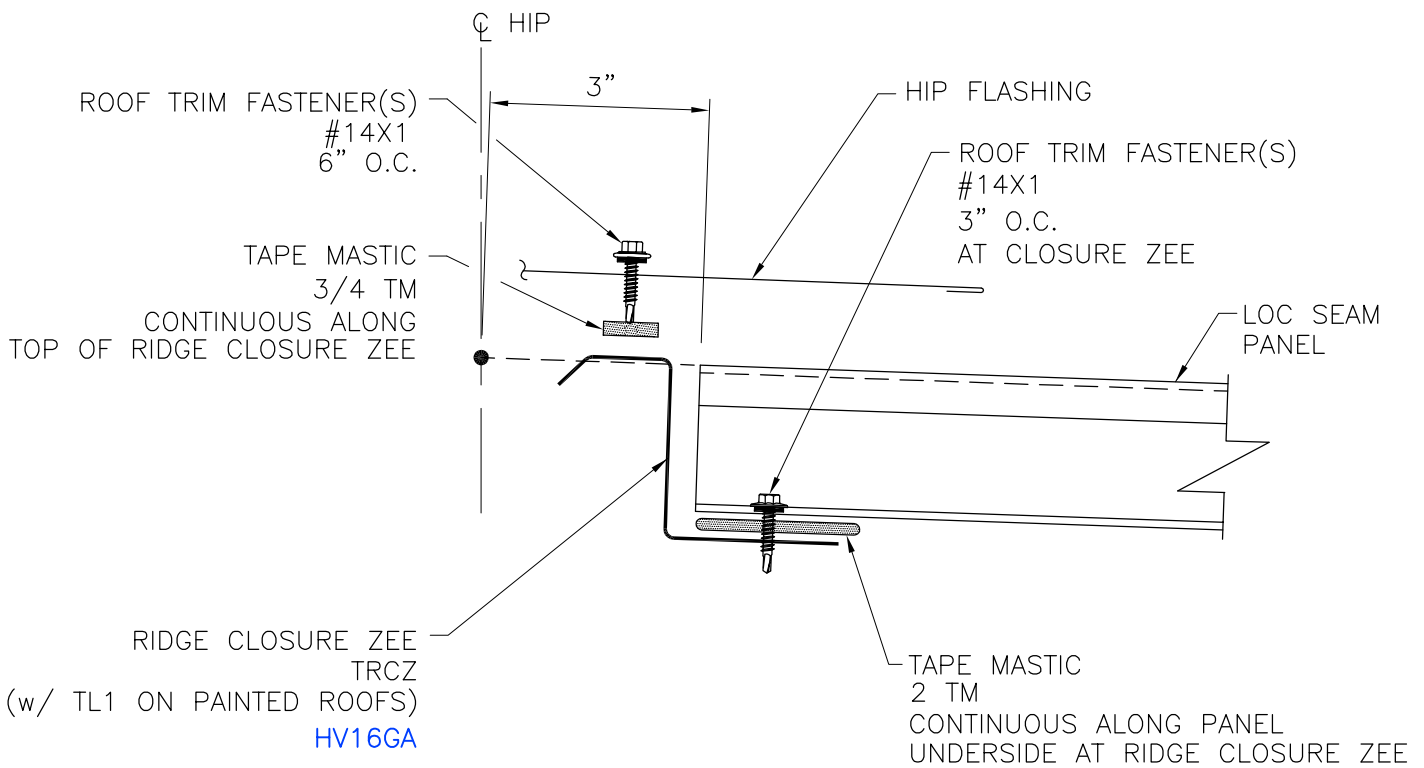
GA

[Download the DWG file by clicking here.](#)

[To Section Index](#)

Hip Flashing Detail
Loc Seam Panel
HV11/GA

NOTE:
OPPOSITE SIDE OF HIP
NOT SHOWN FOR CLARITY.



HIP FLASHING DETAIL

LOC SEAM ROOF

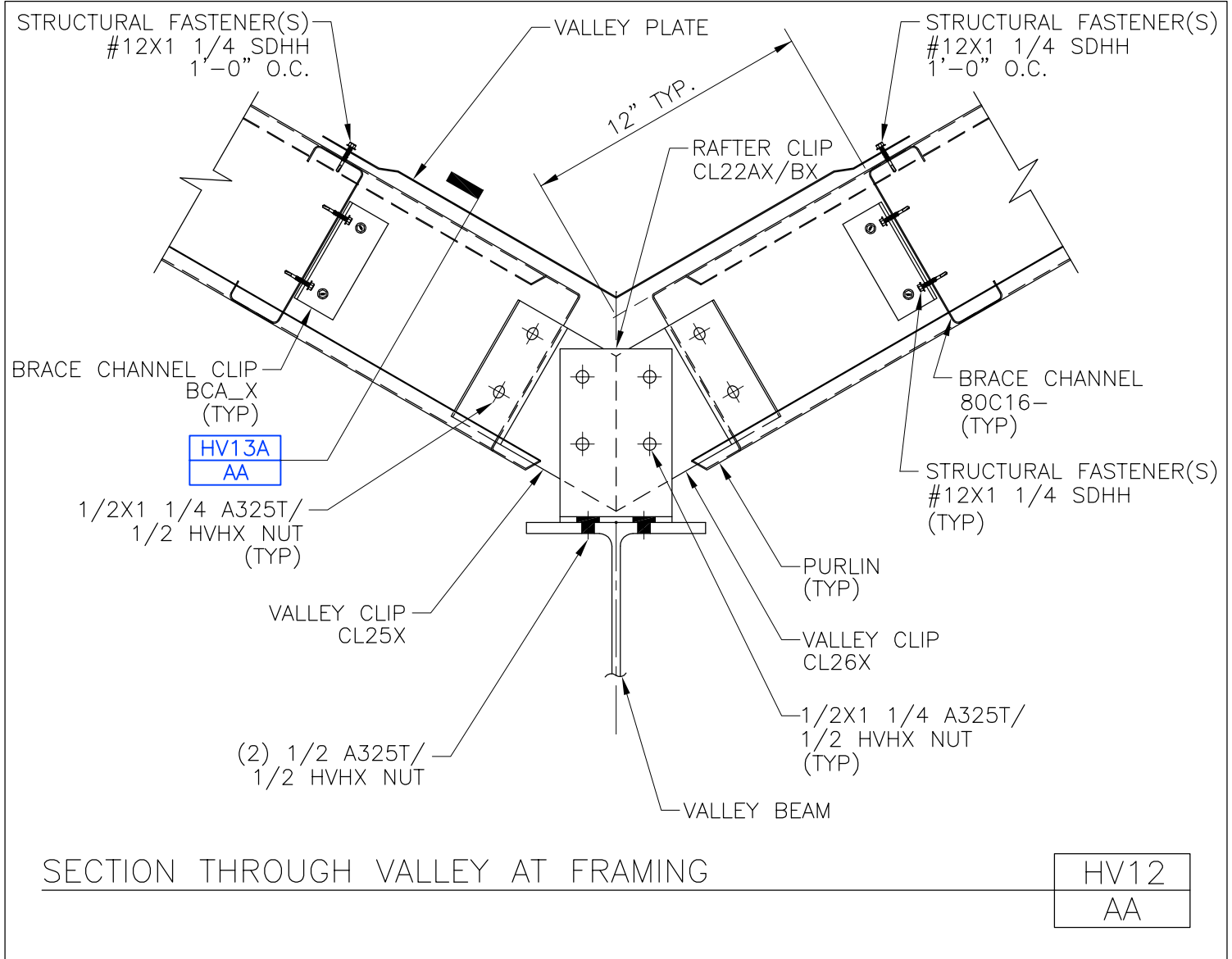
HV11
GA

[Download the DWG file by clicking here.](#)

[To Section Index](#)

Section Through Valley at Framing

HV12/AA

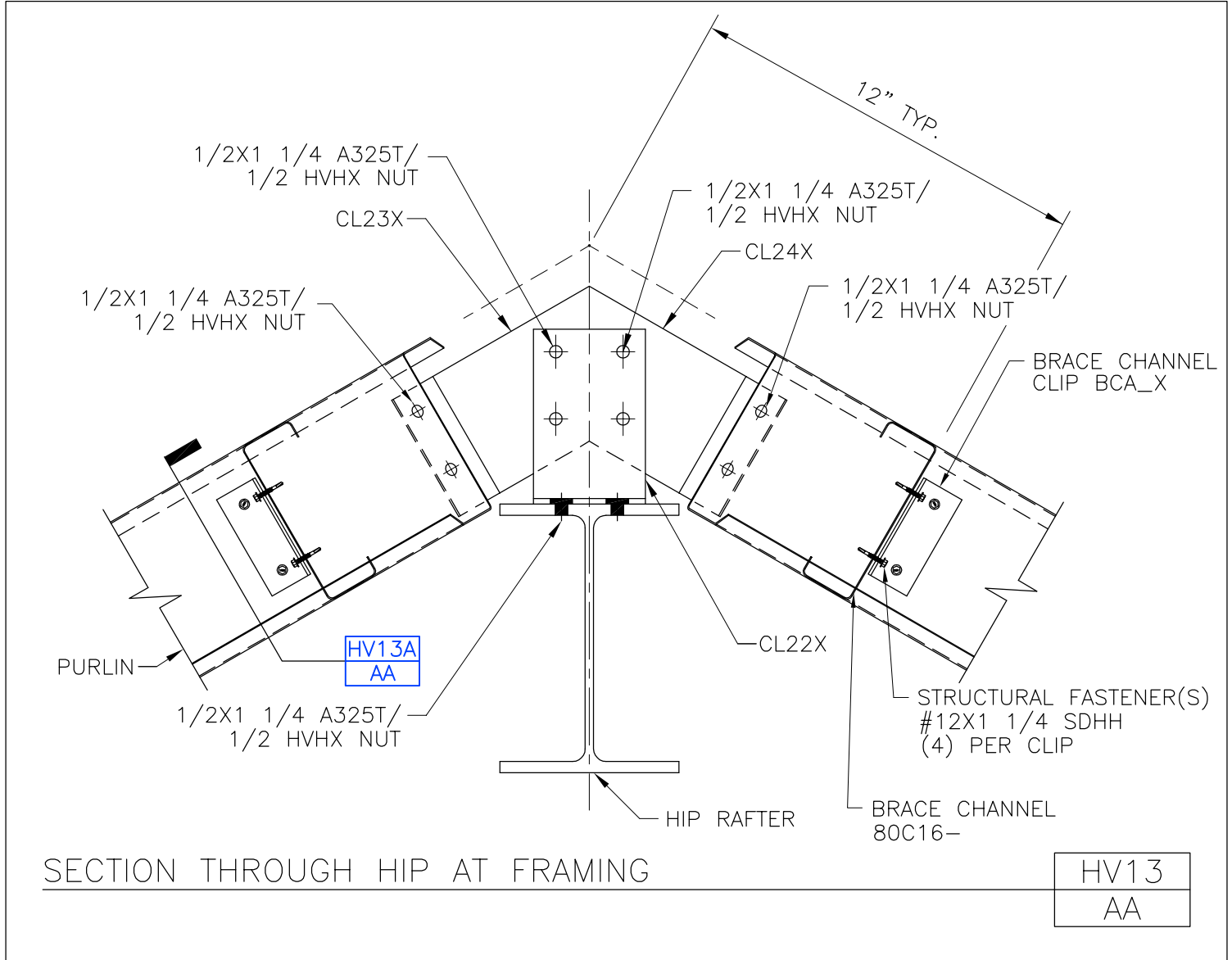


[Download the DWG file by clicking here.](#)

[To Section Index](#)

Section Through Hip at Frame

HV13/AA

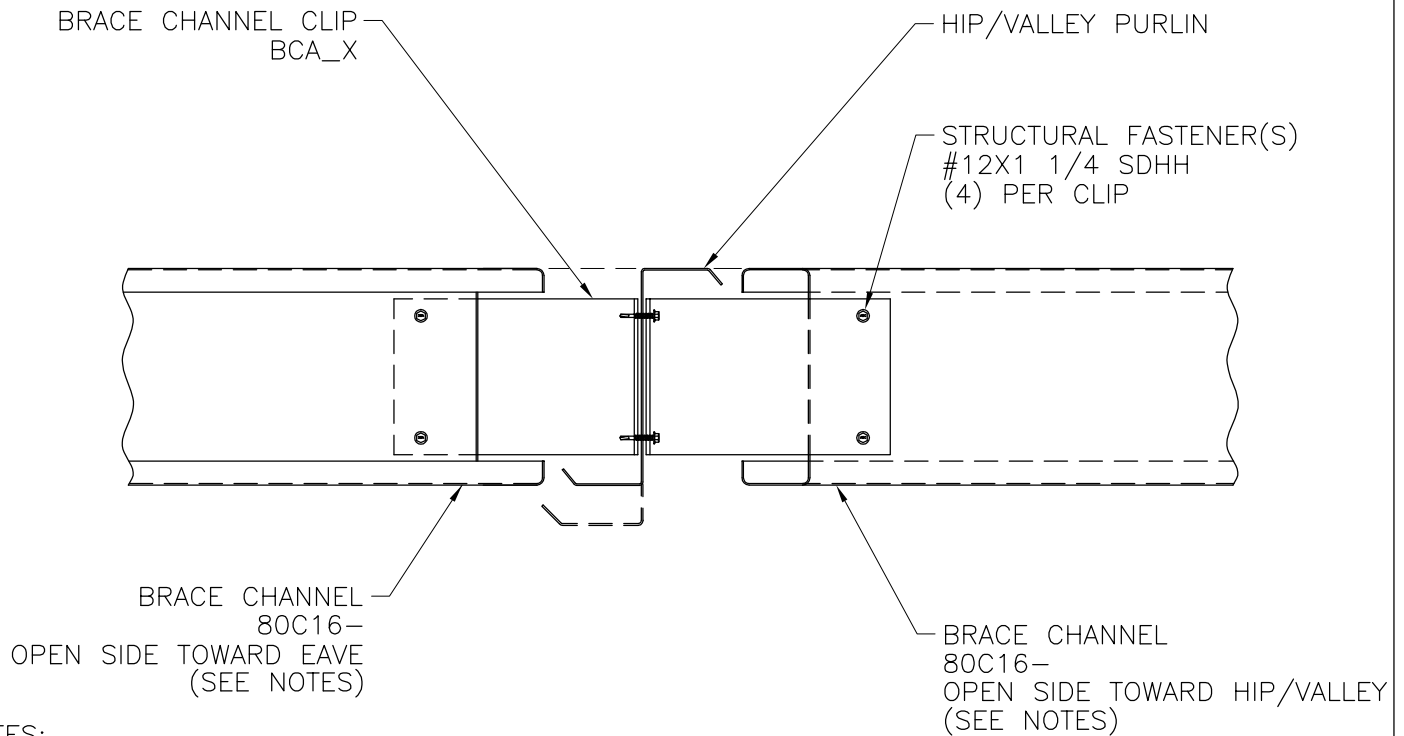


[Download the DWG file by clicking here.](#)

[To Section Index](#)

Section Through Alternating Brace Channel

HV13A/AA



NOTES:

1. BRACE CHANNEL INSTALLATION REQUIRES ALTERNATING ORIENTATION TO PREVENT FASTENER FOULING.
2. ALIGN TOP OF BRACE CHANNEL FLUSH TO TOP OF HIP/VALLEY PURLIN REGARDLESS OF PURLIN DEPTH

SECTION THROUGH ALTERNATING BRACE CHANNEL

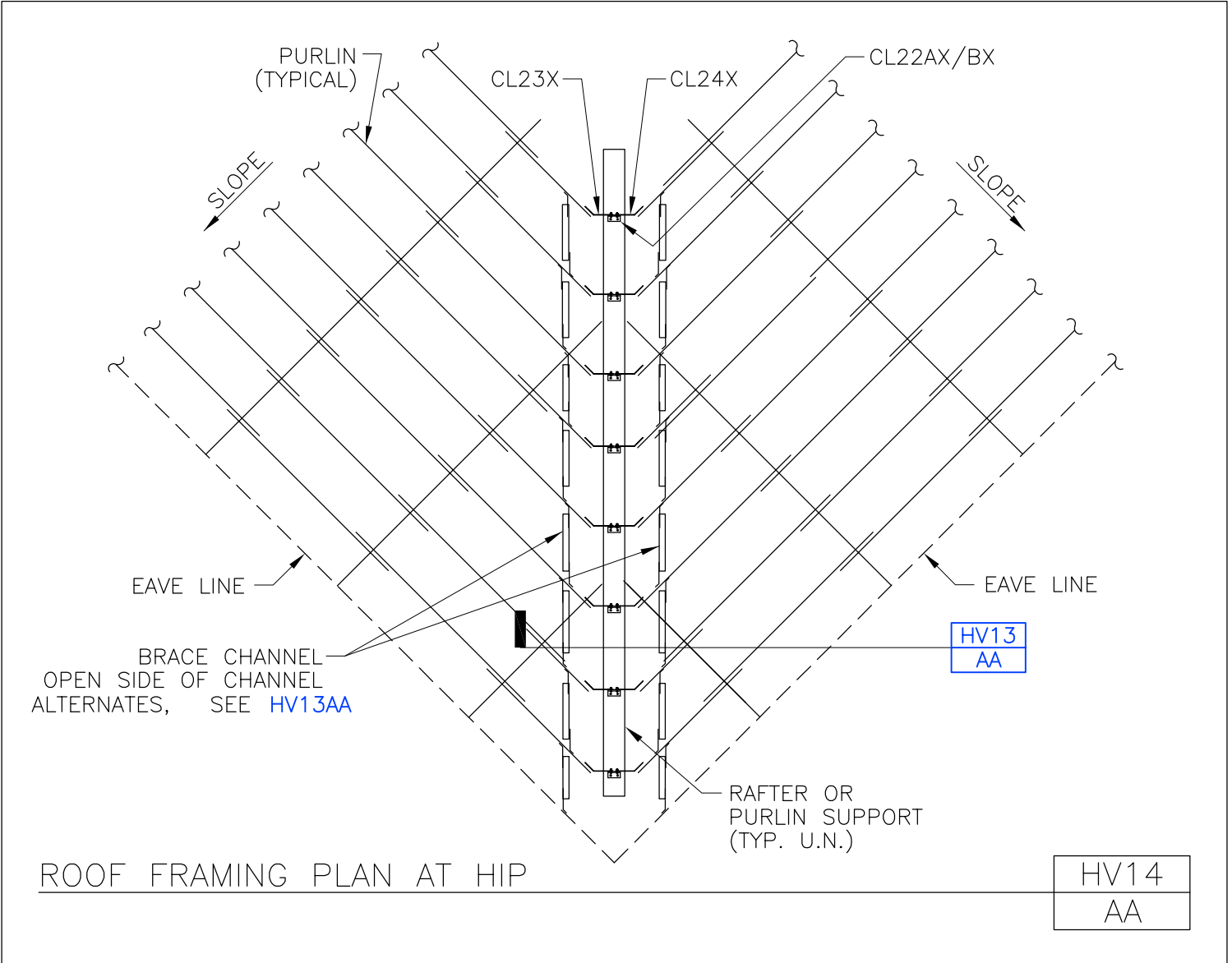
HV13A
AA

[Download the DWG file by clicking here.](#)

[To Section Index](#)

Roof Framing Plan at Hip

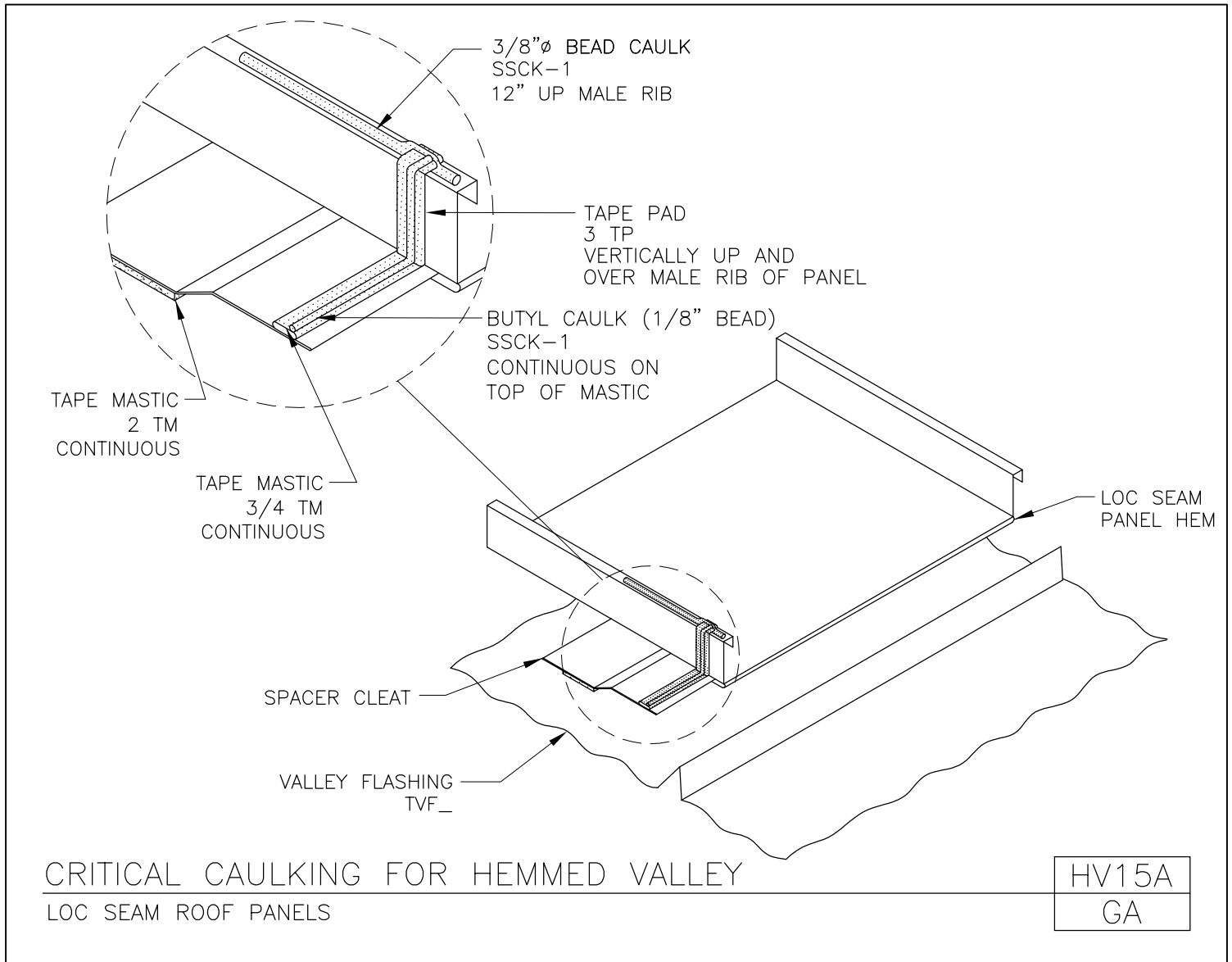
HV14/AA



[Download the DWG file by clicking here.](#)

[To Section Index](#)

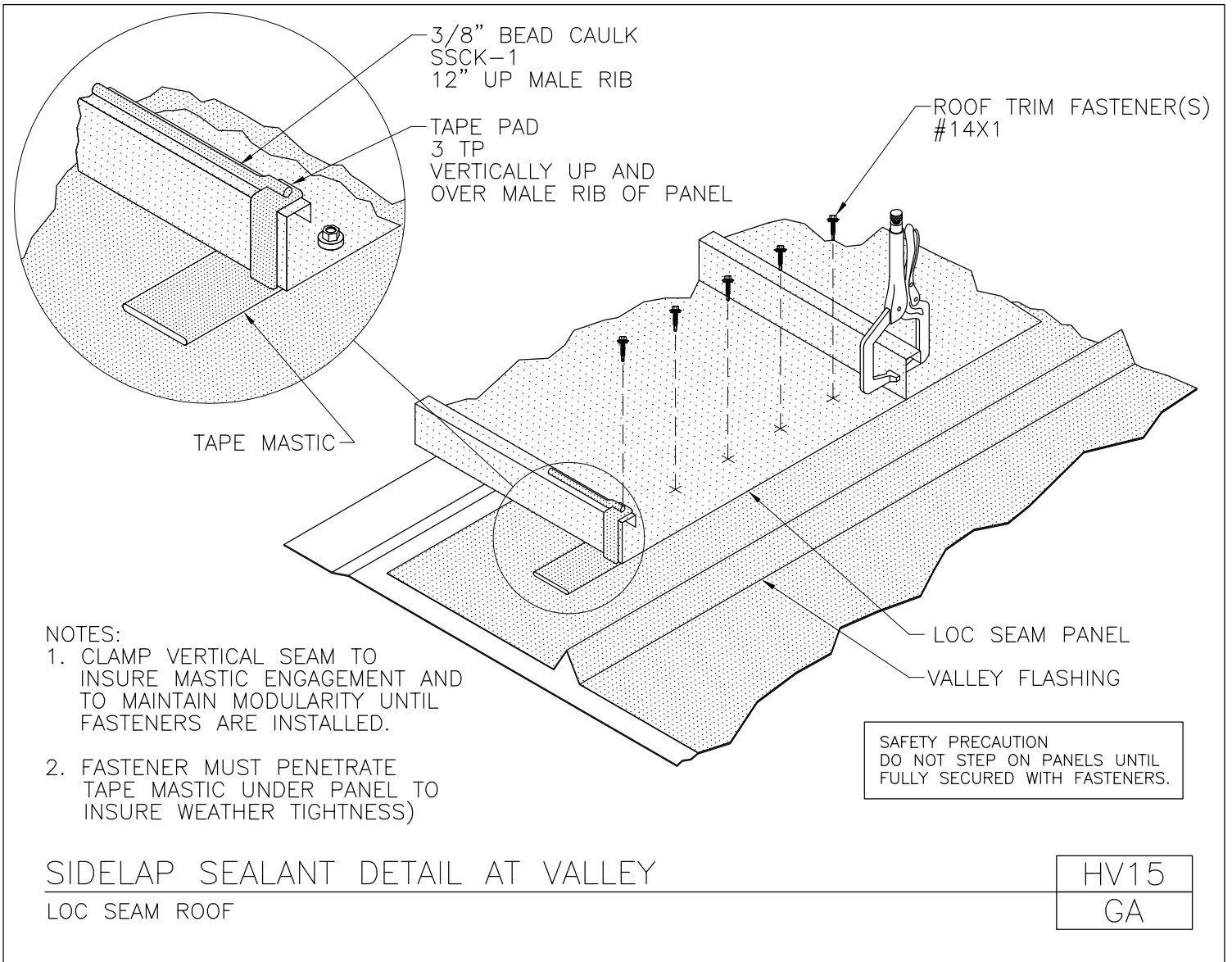
Critical Caulking for Hemmed Valley
Loc Seam Panel
HV15A/GA



[Download the DWG file by clicking here.](#)

[To Section Index](#)

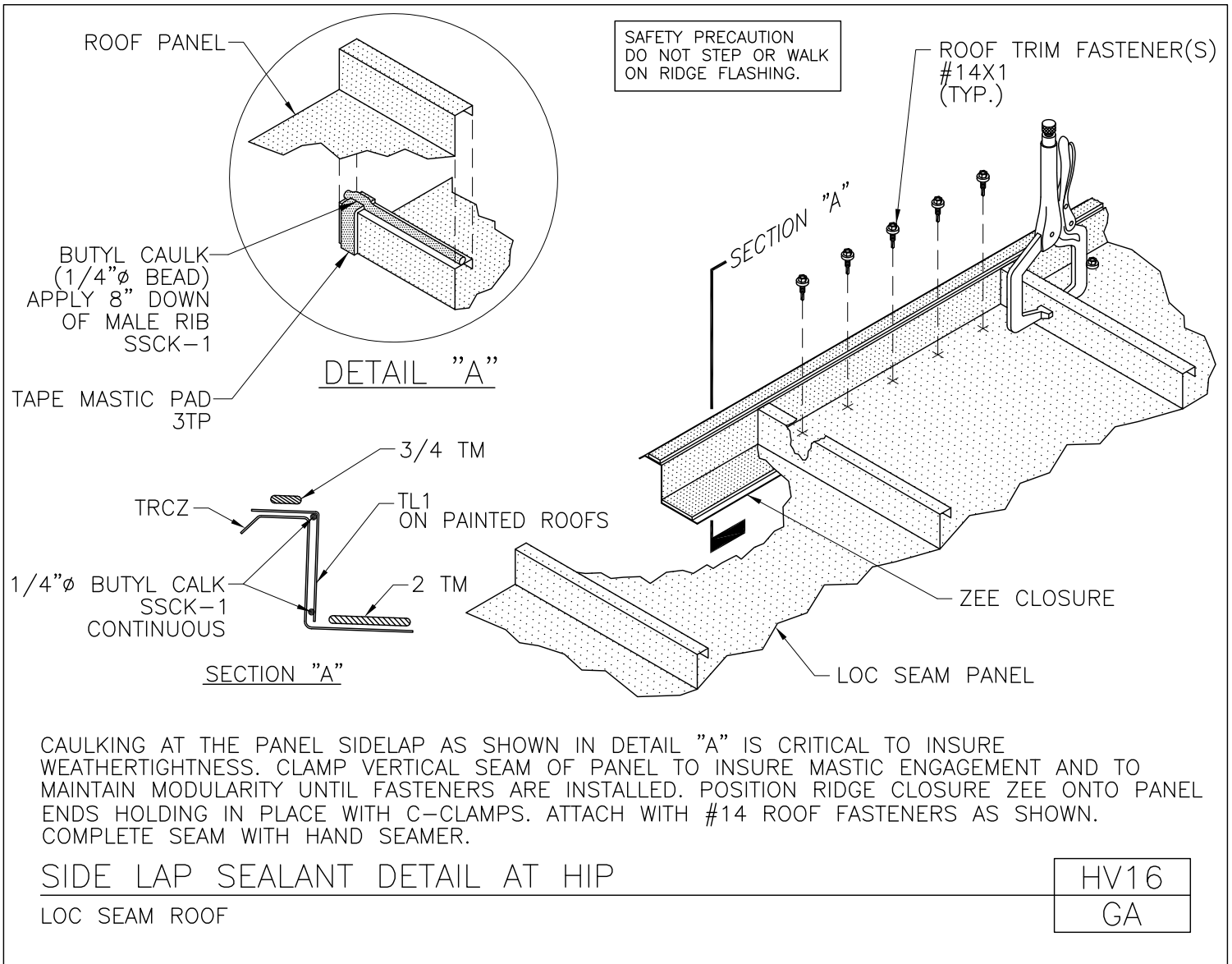
Sidelap Sealant Detail at Valley
Loc Seam Panel
HV15/GA



[Download the DWG file by clicking here.](#)

[To Section Index](#)

Side Lap Sealant Detail at Hip
Loc Seam Panel
HV16/GA

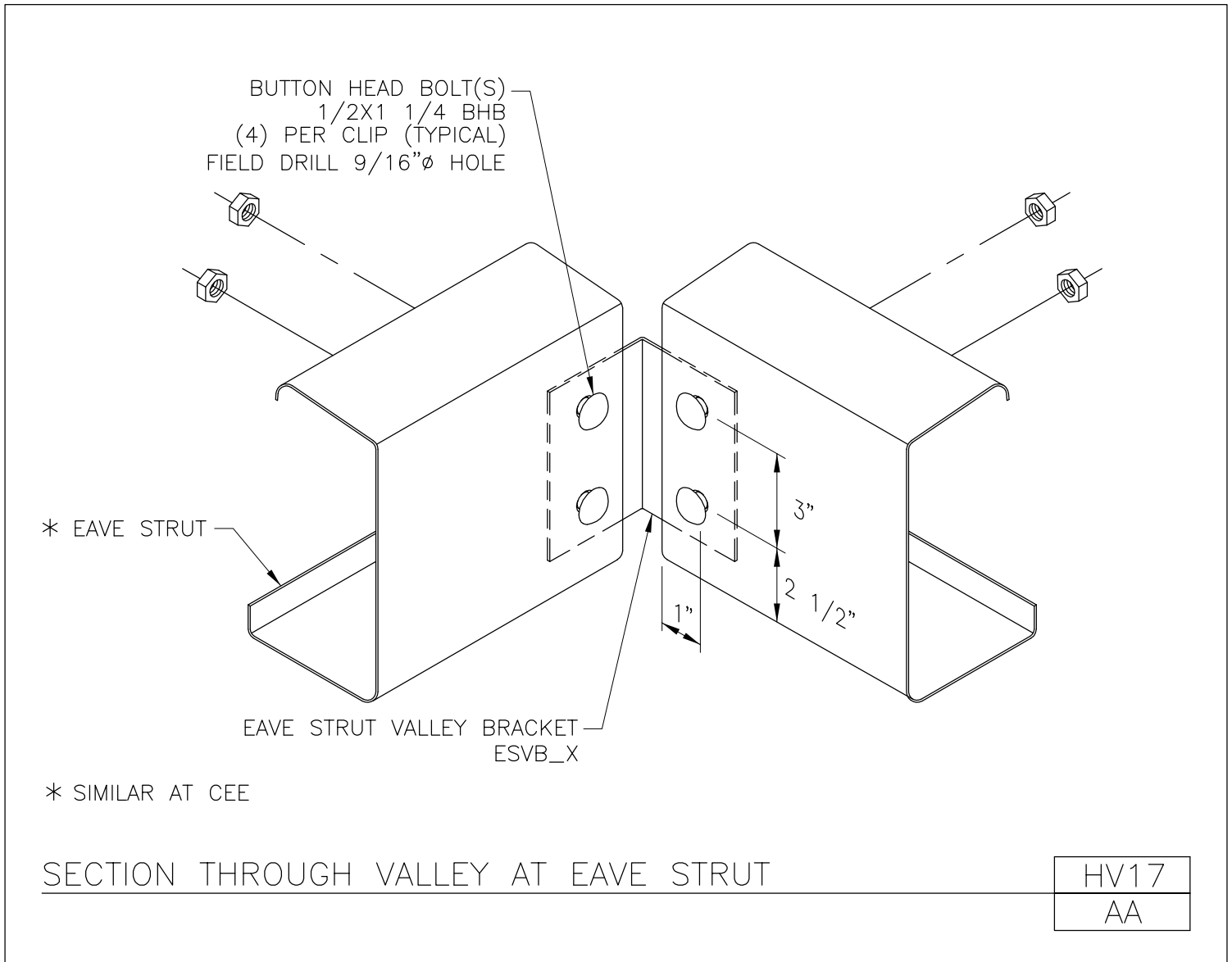


[Download the DWG file by clicking here.](#)

[To Section Index](#)

Section Through Valley at Eave Strut

HV17/AA

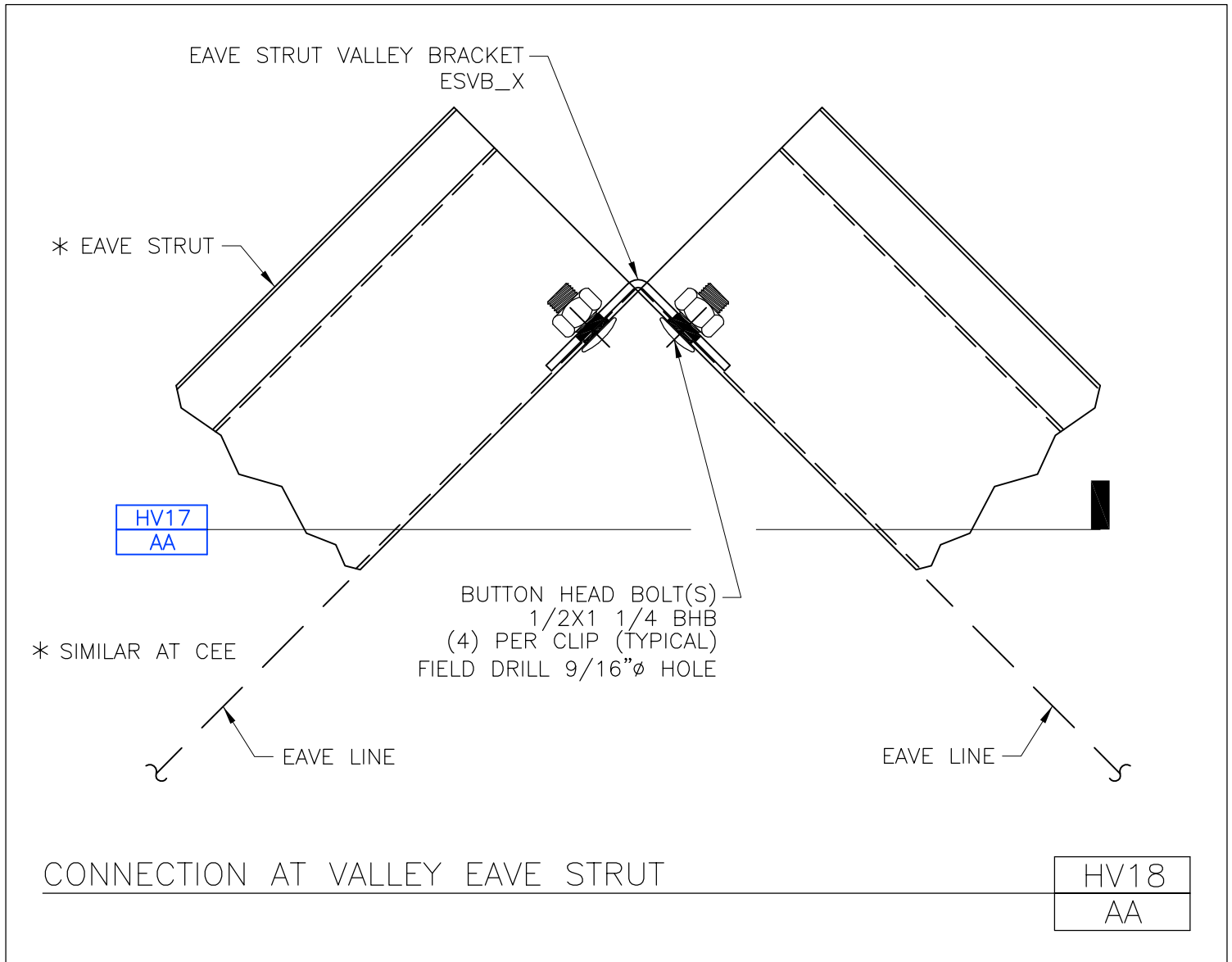


[Download the DWG file by clicking here.](#)

[To Section Index](#)

Connection at Valley Eave Strut

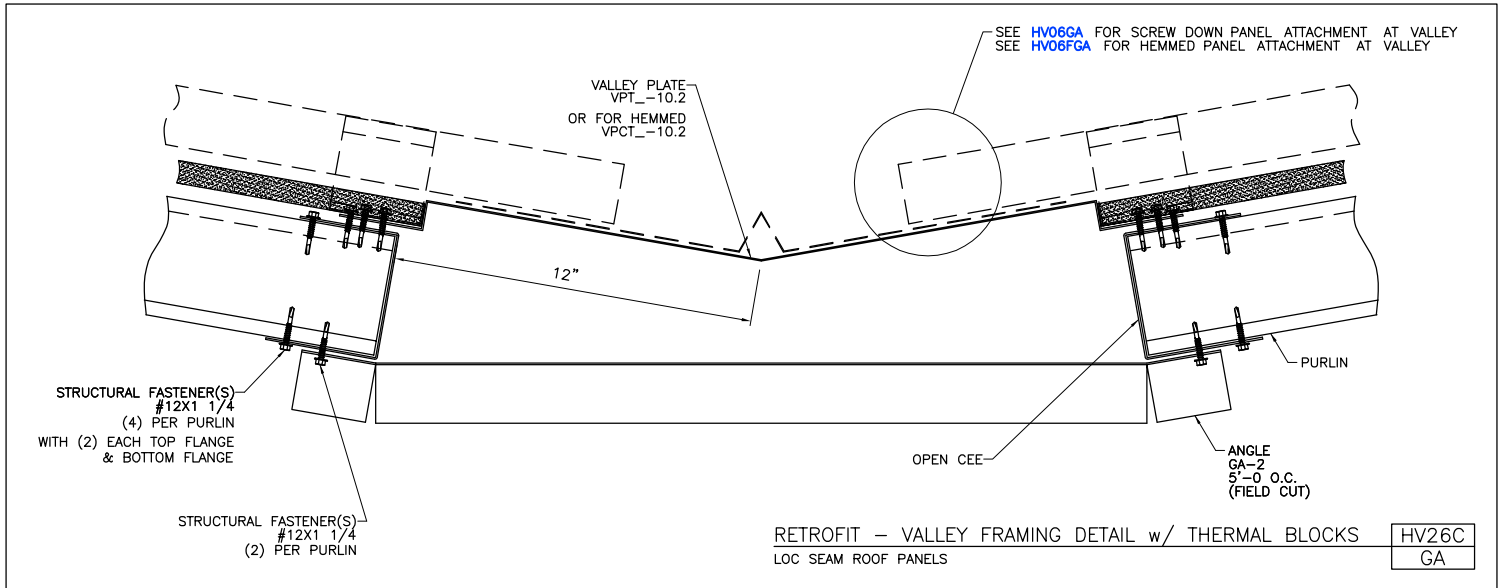
HV18/AA



[Download the DWG file by clicking here.](#)

[To Section Index](#)

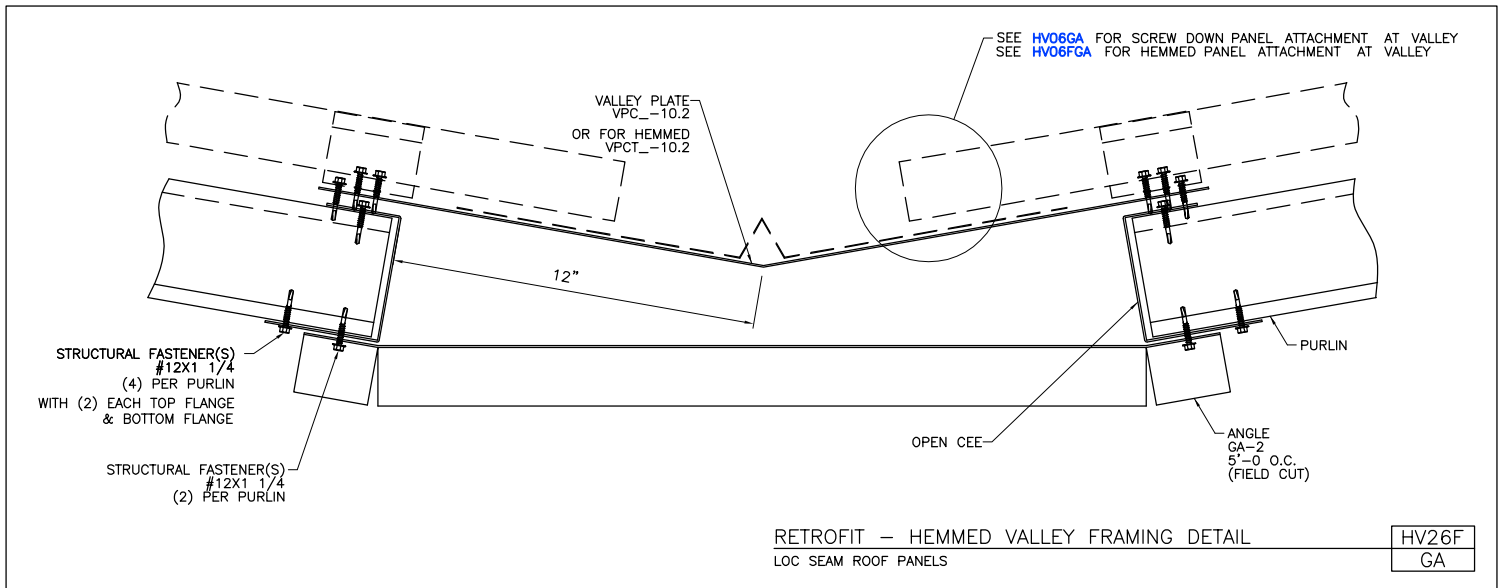
Retrofit - Valley Framing Detail w/ Thermal Blocks
Loc Seam Panel
HV26C/GA



[Download the DWG file by clicking here.](#)

[To Section Index](#)

Retrofit - Hemmed Valley Framing Detail
Loc Seam Panel
HV26F/GA



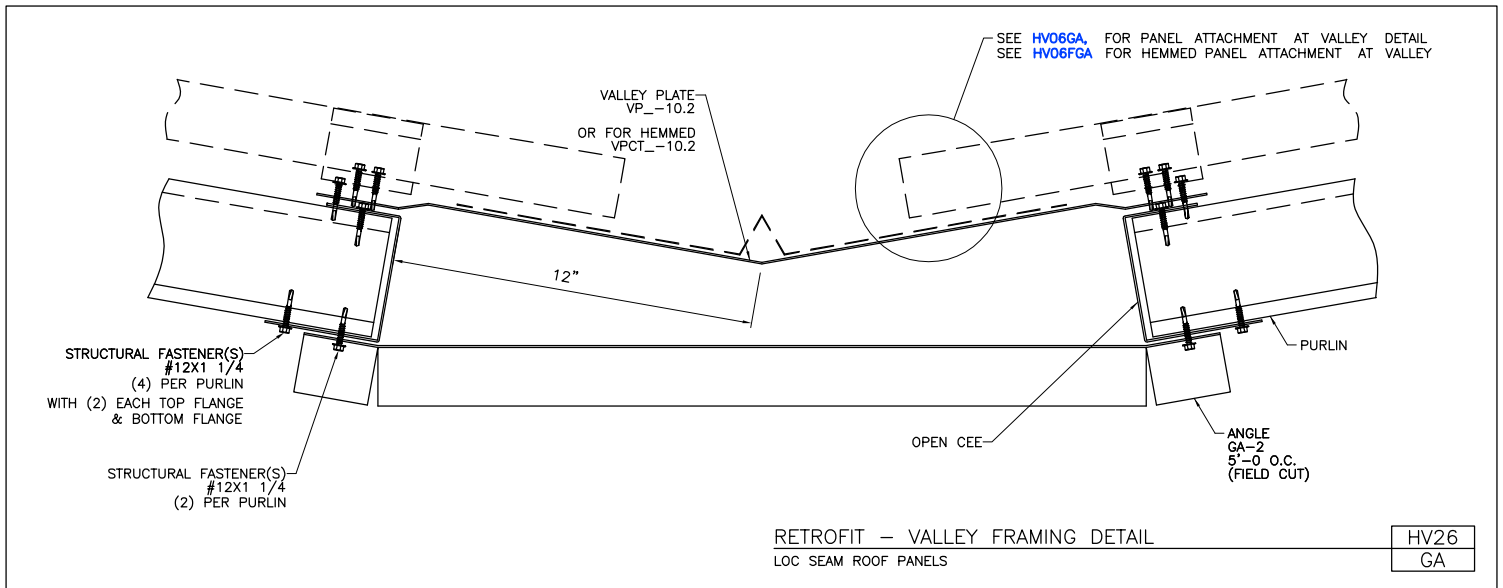
[Download the DWG file by clicking here.](#)

[To Section Index](#)

Retrofit - Valley Framing Detail

Loc Seam Panel

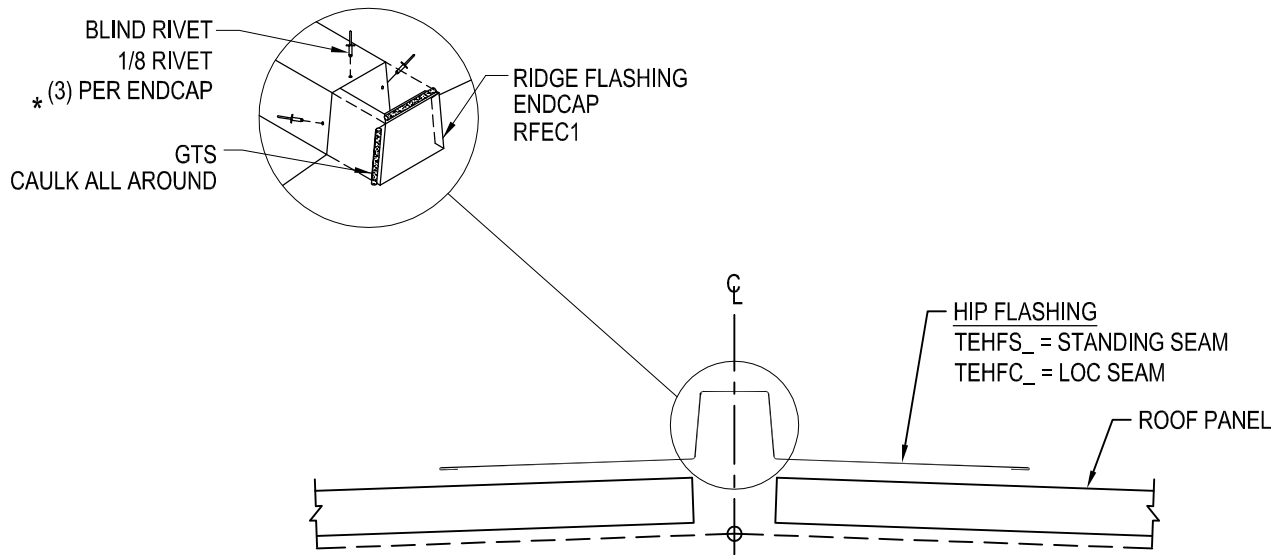
HV26/GA



[Download the DWG file by clicking here.](#)

[To Section Index](#)

Hip Expansion Flashing - Endcap Installation
Standing Seam and Loc Seam Roofs
HV27/AA



HIP EXPANSION FLASHING - ENDCAP INSTALLATION
STANDING SEAM AND LOC SEAM ROOFS

HV27
AA

[Download the DWG file by clicking here.](#)

[To Section Index](#)

Hip and Valley Details General Notes

HV90/AA

NOTES:

1. REVIEW ALL HIP AND VALLEY DETAILS AS WELL AS ALL STANDARD ERECTION DRAWINGS.
2. IF ALUMINUM COATED ROOF PANELS ARE REQUIRED, ALL PANEL ENDLAPS AND AREAS OF FIELD APPLIED MASTIC SHOULD BE WIPED CLEAN WITH A MILD ALL PURPOSE DETERGENT CLEANER BEFORE MASTIC INSTALLATION. THIS WILL ENSURE A GOOD SEALING SURFACE AND IMPROVE WEATHER TIGHTNESS.
3. DUE TO THE MANY VARIATIONS OF HIP AND VALLEY CONDITIONS, THE DETAILS SHOWN ARE FOR REFERENCE ONLY. ALL HIP AND VALLEY FLASHING CONNECTIONS ARE TO BE FIELD WORKED.
4. WHEN FIELD CUTTING PANELS OR TRIM DO NOT USE ABRASIVE SAWS OR OTHER CUTTING METHODS WHICH PRODUCE HOT METAL PARTICLES OR BURN THE CUT EDGES. THESE METHODS WILL DAMAGE THE PAINTED AND GALVALUME FINISH AND VOID ANY WARRANTIES. USE DOUBLE CUT SHEARS, NIBBLERS OR OTHER CUTTING DEVICES WHICH DO NOT PRODUCE HOT METAL PARTICLES OR BURNED EDGES.
5. THINK SAFETY.

HIP AND VALLEY DETAILS GENERAL NOTES

HV90
AA

[Download the DWG file by clicking here.](#)

[To Section Index](#)