

Product Manual - Loc Seam - Rake

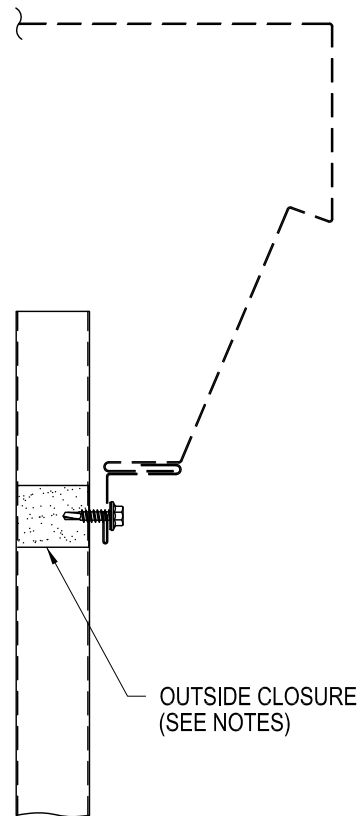
RA01/AB, Panel Closure Detail at Rake
RA01/AD, Panel Closure Detail at Rake (Slopes Less Than 11/2:12)
RA02/AA, Universal Rake Detail
RA02A/AO, Universal Rake Detail
RA02/AD, Universal Rake Detail
RA02/AO, Universal Rake Detail
RA02C/AA, Universal Rake Detail
RA02CA/AO, Universal Rake Detail
RA02C/AD, Universal Rake Detail
RA02H/AA, Universal Rake Detail at Bar Joist
RA02T/AA, Universal Rake Detail at Starting or Ending Endwall
RA02TA/AO, Universal Rake Detail at Starting or Ending Endwall
RA02T/AD, Universal Rake Detail at Starting or Ending Endwall
RA02T/AO, Universal Rake Detail at Starting or Ending Endwall
RA03A/GA, Universal Rake Cap Installation
RA03/GA, Universal Rake Cap Installation
RA04/AA, Corner Cap Box Installation
RA04A/AA, Corner Cap Box Installation
RA04B/GA, Highside Corner Box
RA05/AA, Universal Rake Detail
RA05C/AA, Universal Rake Detail
RA05H/AA, Universal Rake Detail at Bar Joist
RA06/AA, Inside Corner Cap Installation
RA07/AA, Cleated Rake Detail
RA07A/AO, Cleated Rake Detail
RA07/AD, Cleated Rake Detail
RA07/AO, Cleated Rake Detail
RA07C/AA, Cleated Rake Detail
RA07CA/AO, Cleated Rake Detail
RA07C/AD, Cleated Rake Detail
RA07C/AO, Cleated Rake Detail w/ Thermal Blocks
RA07/GA, Cleated Rake/Peak Installation
RA07T/AA, Cleated Rake Detail
RA07TA/AO, Cleated Rake Detail
RA07T/AD, Cleated Rake Detail
RA07T/AO, Cleated Rake Detail
RA14A/AA, Roof to Wall Flashing Endcap Installation

RA14/AA, Ridge Flashing Endcap Installation
RA30C/AB, Roof to Wall Transition at Gable
RA32/GA, Ridge Expansion Detail at Roof to Wall Transition
RA70/AA, Universal Rake Endcap Installation
RA70A/AA, Highside Eave, Without Corner Box
RA71/AA, Cleated Rake Endcap Installation

Panel Closure Detail at Rake
Architectural III, Architectural "V" Rib or Longspan III Walls
RA01/AB

NOTES:

1. OUTSIDE CLOSURE, AOLI/AVKO/AVNO/LOAI
REQUIRED IF ORDERED FOR BUILDING SLOPES
1 1/2 : 12 OR LESS
2. BEVEL CLOSURE
REQUIRED IF ORDERED FOR BUILDING SLOPES
GREATER THAN 1 1/2 : 12



PANEL CLOSURE DETAIL AT RAKE

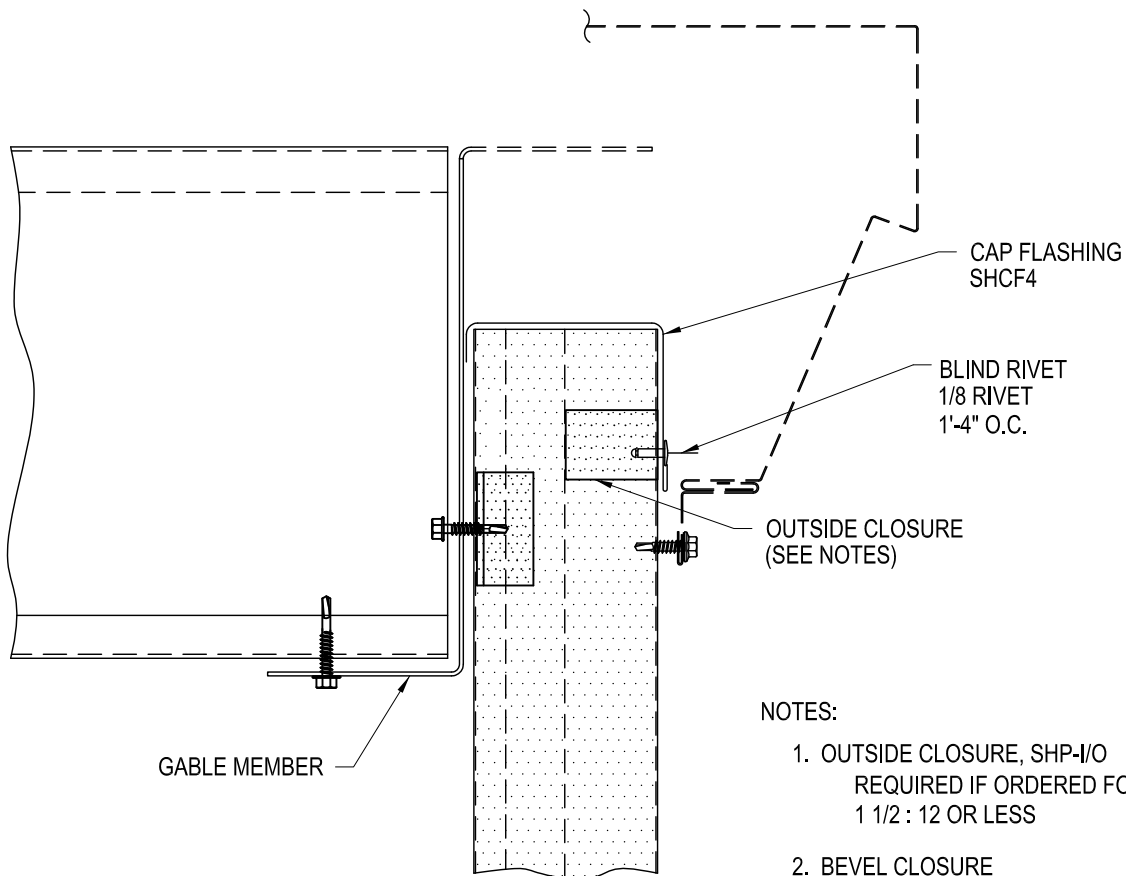
ARCHITECTURAL III, ARCHITECTURAL "V" RIB OR LONG SPAN III WALLS

RA01
AB

[Download the DWG file by clicking here.](#)

[To Section Index](#)

Panel Closure Detail at Rake (Slopes Less Than 1 1/2:12)
Shadow Panel Walls
RA01/AD



NOTES:

1. OUTSIDE CLOSURE, SHP-I/O
REQUIRED IF ORDERED FOR BUILDING SLOPES
1 1/2 : 12 OR LESS
2. BEVEL CLOSURE
REQUIRED IF ORDERED FOR BUILDING SLOPES
GREATER THAN 1 1/2 : 12

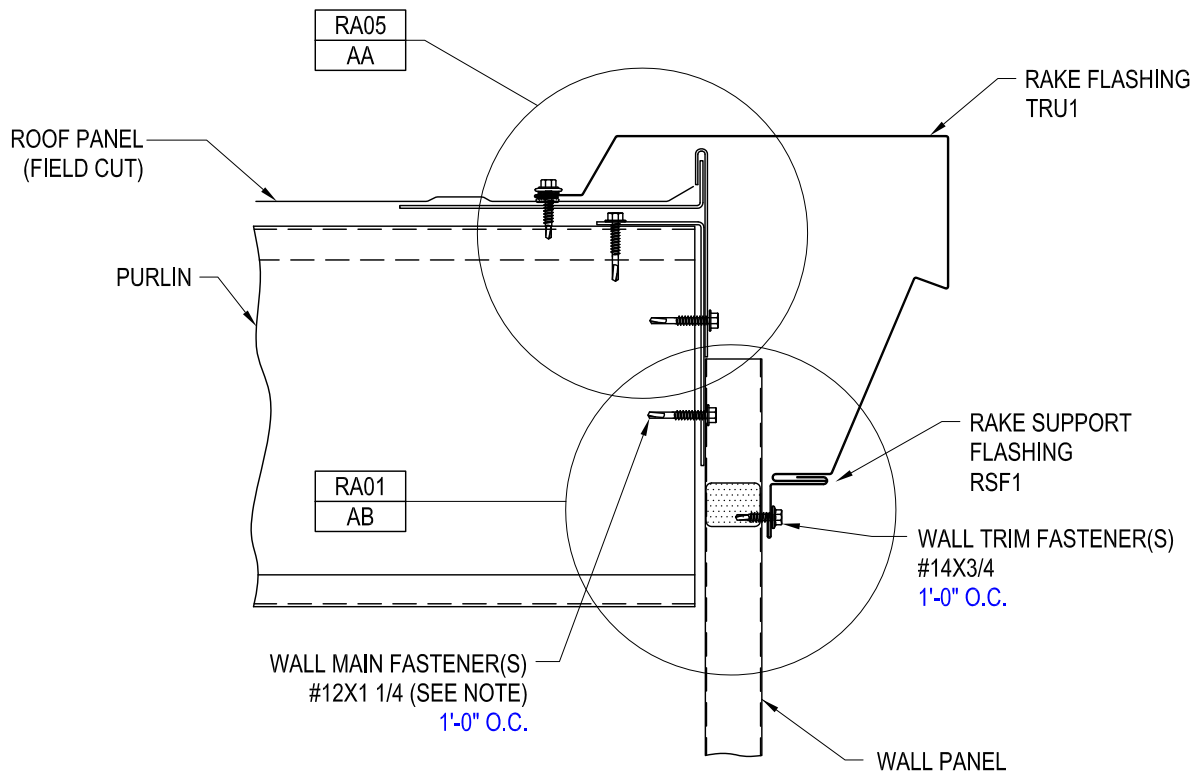
PANEL CLOSURE DETAIL AT RAKE
SHADOW PANEL WALLS

RA01
AD

[Download the DWG file by clicking here.](#)

[To Section Index](#)

Universal Rake Detail
Loc Seam and Standing Seam Roof / Architectural III, Architectural "V" Rib or Longspan III Walls
RA02/AA



NOTE: #12X2 FASTENER(S) w/ 6" INSULATION

UNIVERSAL RAKE DETAIL

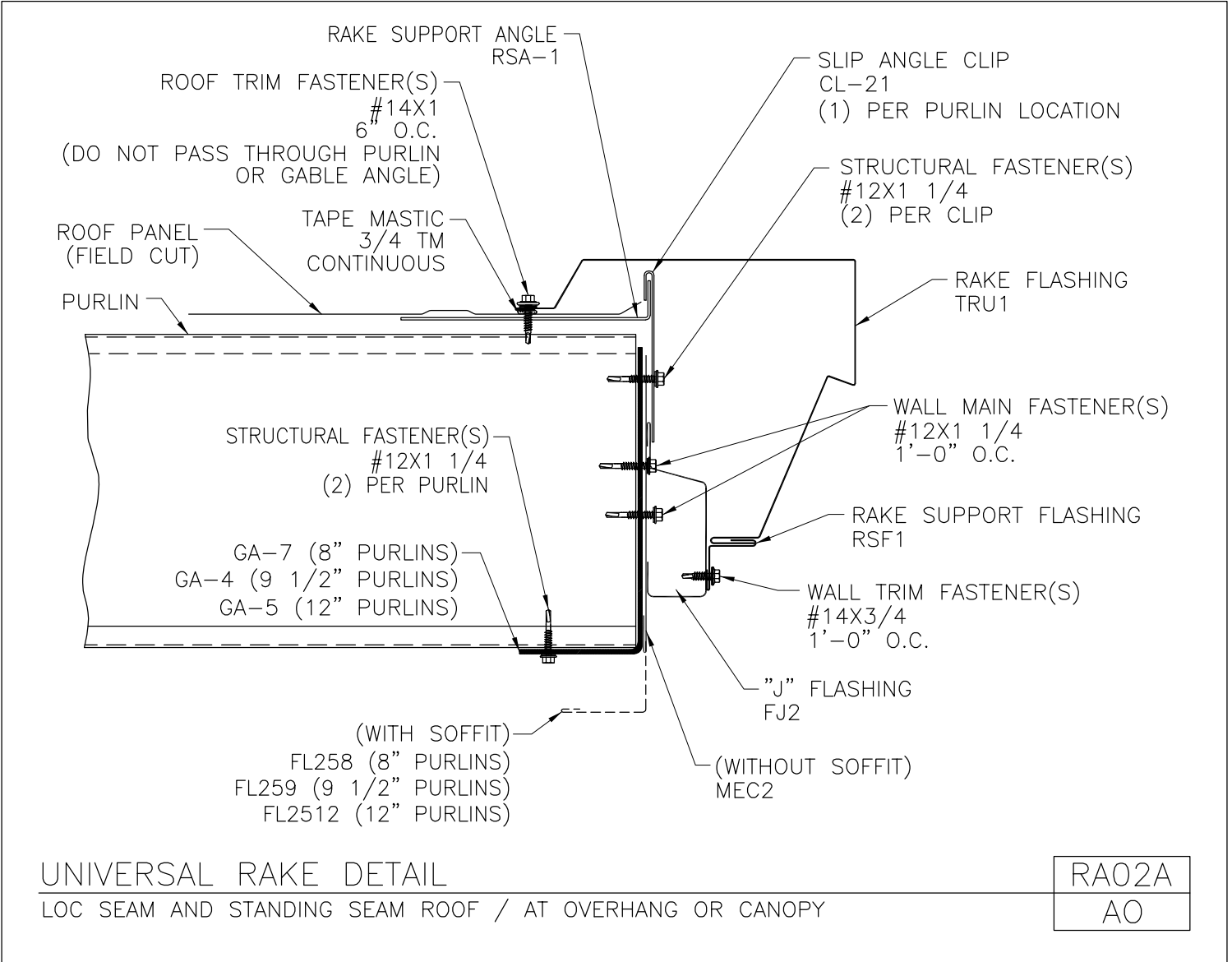
LOC SEAM AND STANDING SEAM ROOF / ARCHITECTURAL III, ARCHITECTURAL "V" RIB OR LONG SPAN III WALLS

RA02
AA

[Download the DWG file by clicking here.](#)

[To Section Index](#)

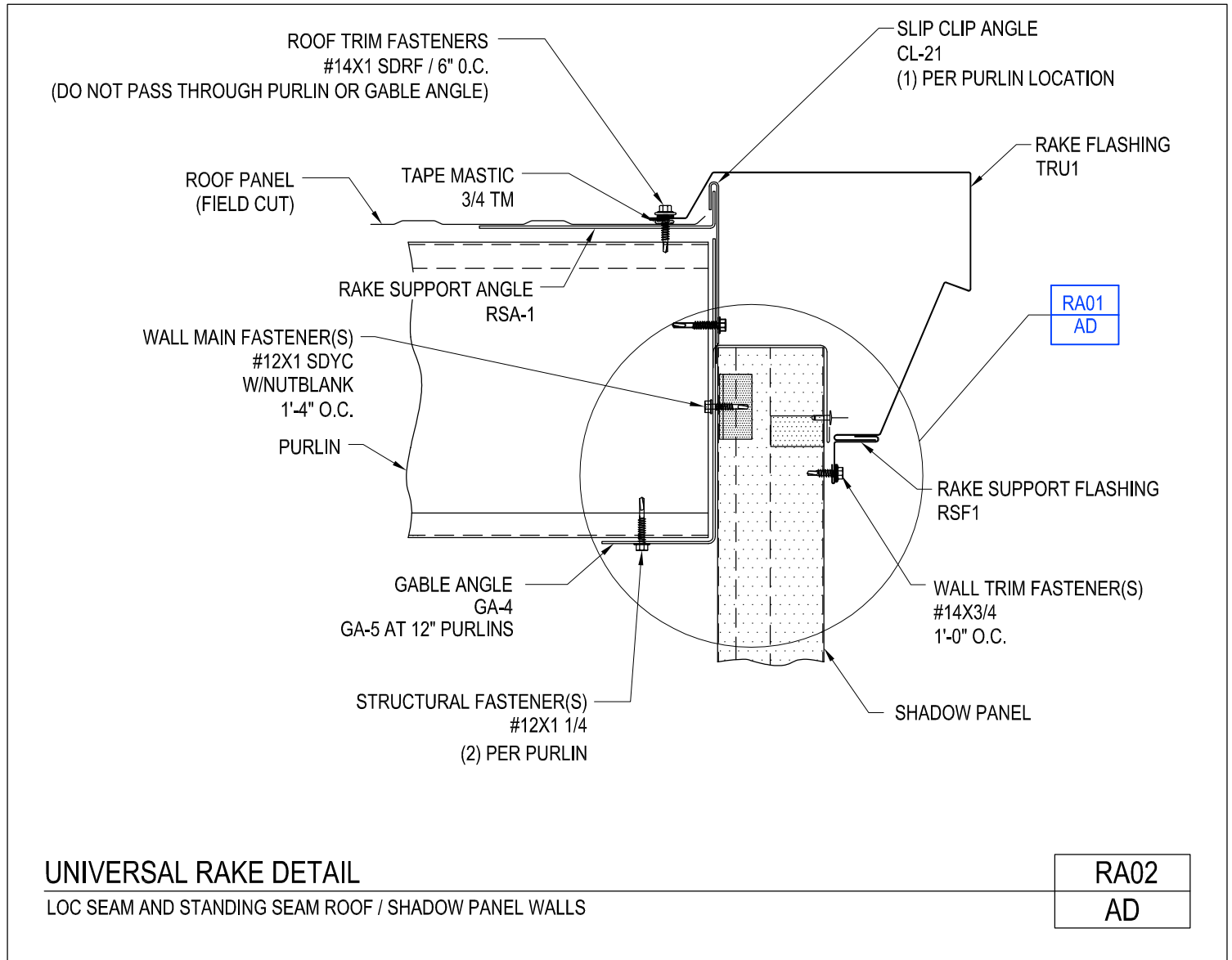
Universal Rake Detail
Loc Seam and Standing Seam Roof / at Overhang or Canopy
RA02A/AO



[Download the DWG file by clicking here.](#)

[To Section Index](#)

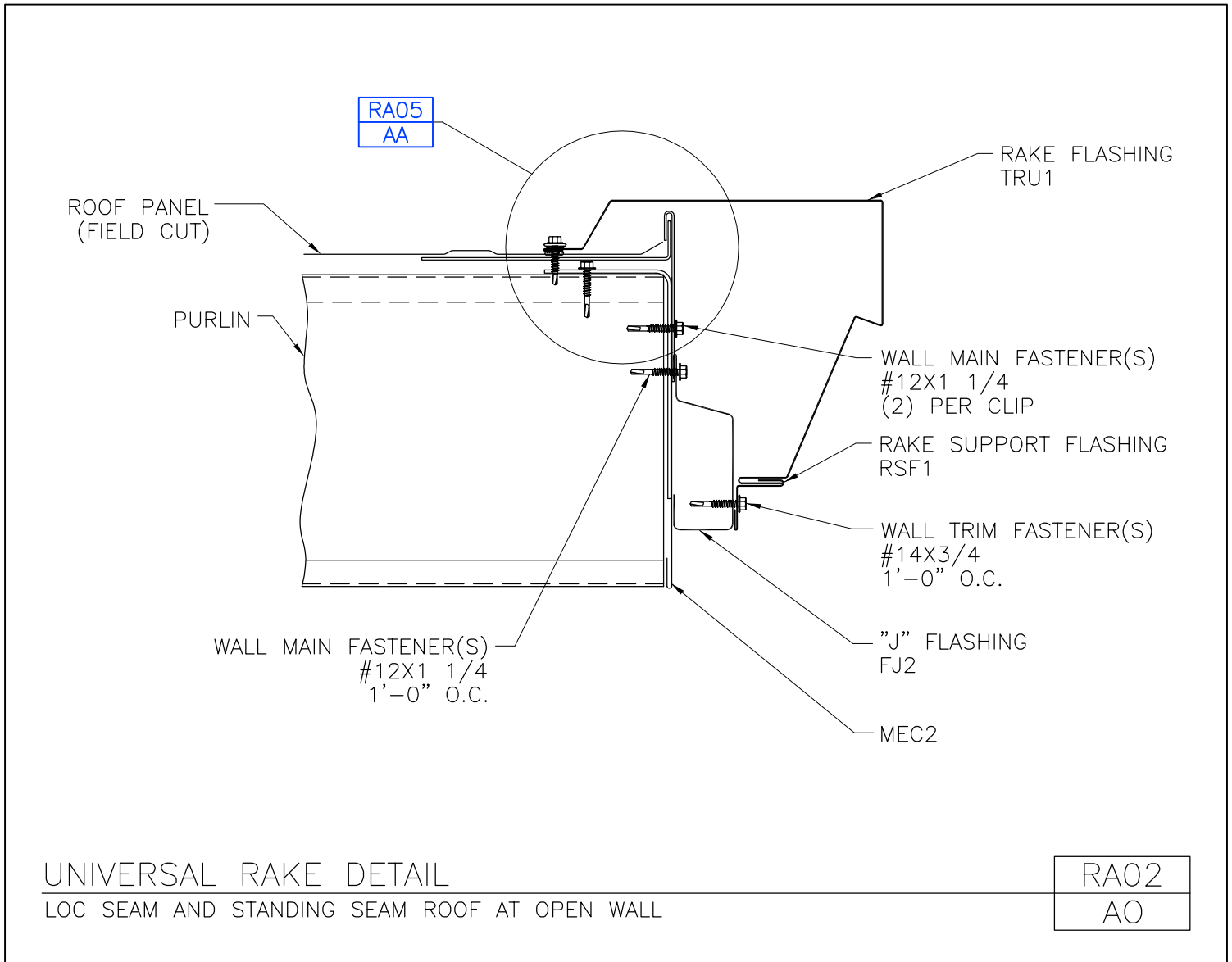
Universal Rake Detail
Loc Seam and Standing Seam Roof / Shadow Panel Walls
RA02/AD



[Download the DWG file by clicking here.](#)

[To Section Index](#)

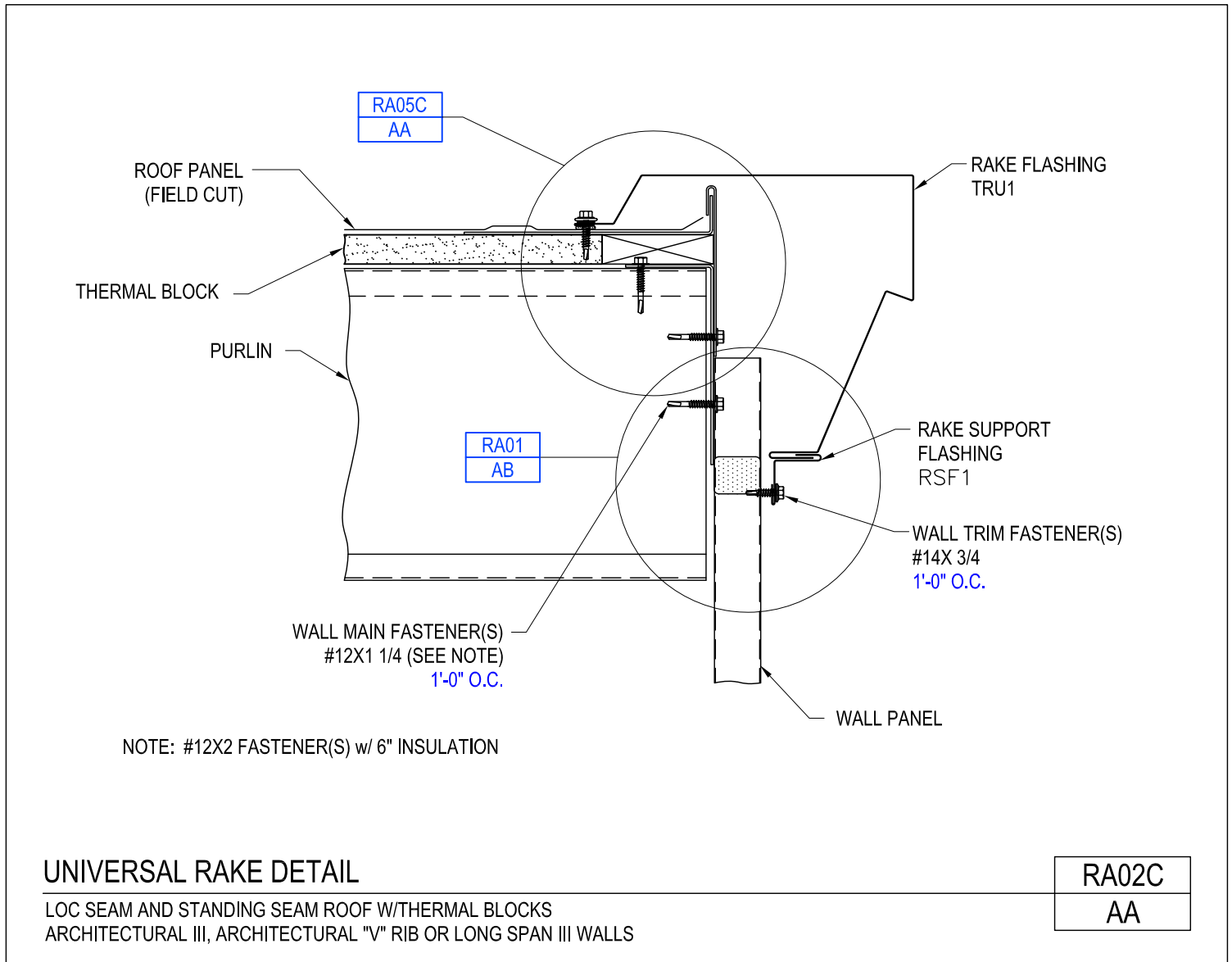
Universal Rake Detail
Loc Seam and Standing Seam Roof at Open Wall
RA02/AO



[Download the DWG file by clicking here.](#)

[To Section Index](#)

Universal Rake Detail
Loc Seam and Standing Seam Roof w/ Thermal Blocks / Architectural III, Architectural "V" Rib or Longspan III Walls
RA02C/AA



[Download the DWG file by clicking here.](#)

[To Section Index](#)



AMERICAN BUILDINGS

A NUCOR COMPANY

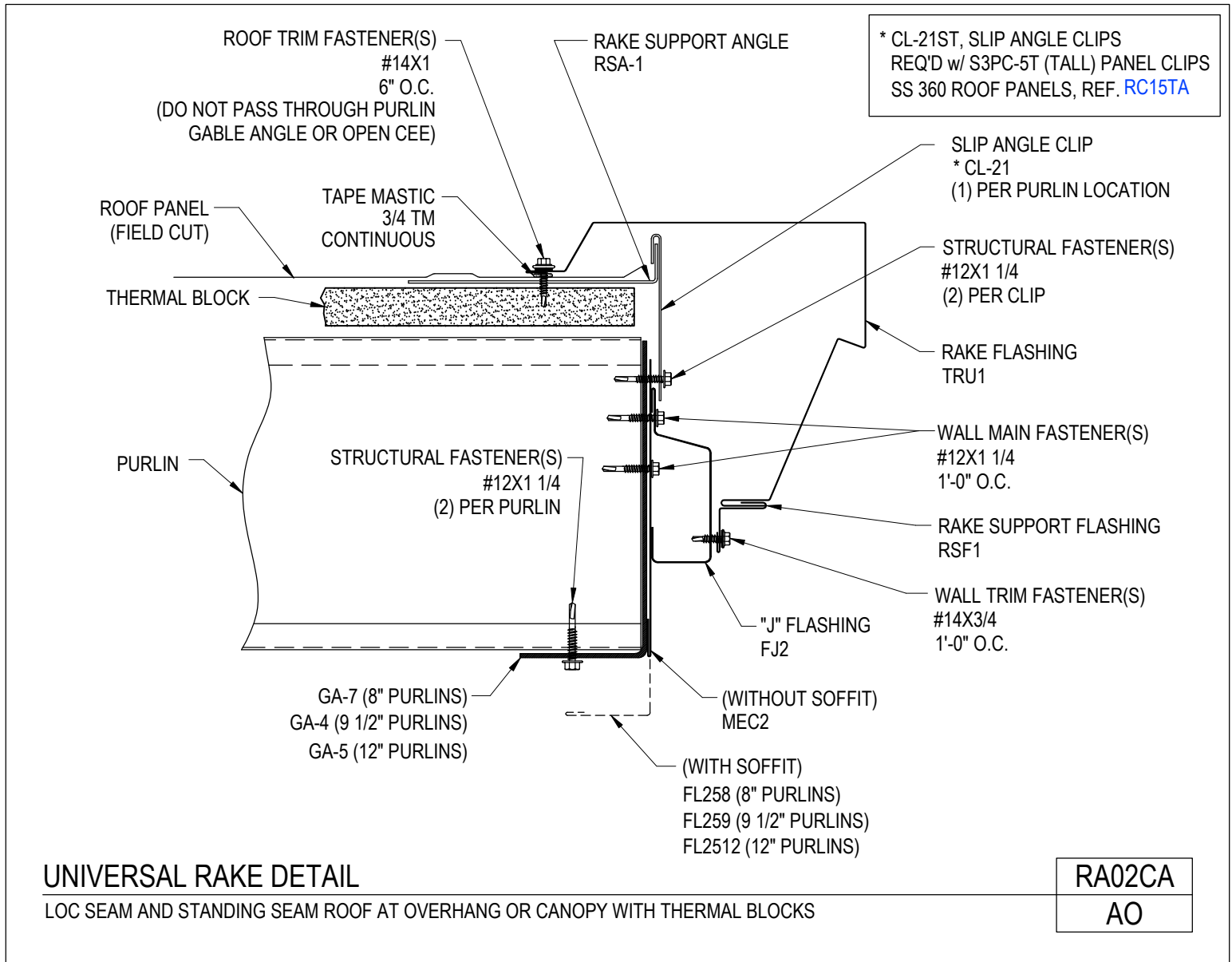
PRODUCT MANUAL

LOC SEAM PANEL

Universal Rake Detail

Loc Seam and Standing Seam Roof at Overhang or Canopy w/ Thermal Blocks

RA02CA/AO



[Download the DWG file by clicking here.](#)

[To Section Index](#)

Revised 09-24-2019



AMERICAN BUILDINGS

A NUCOR COMPANY

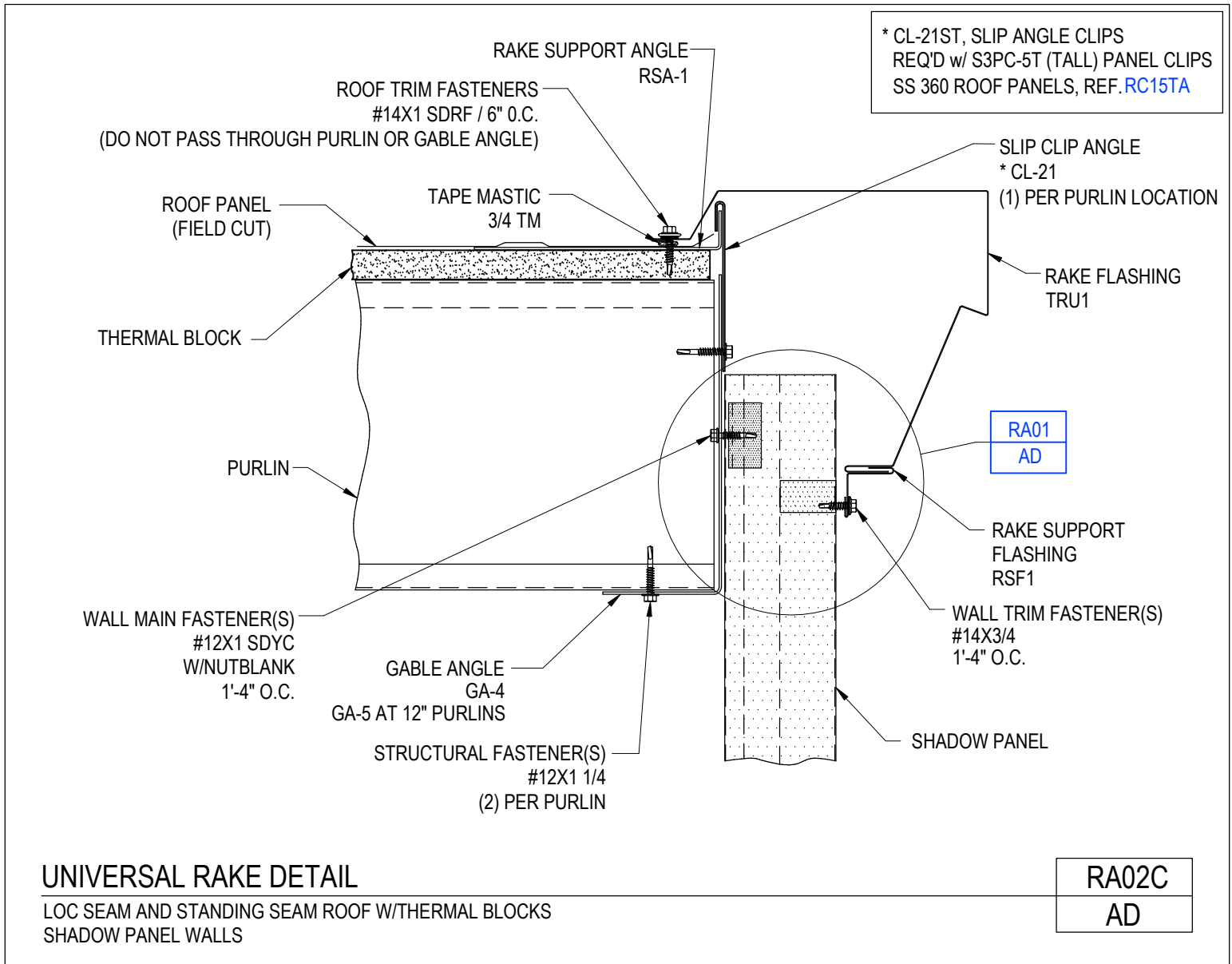
PRODUCT MANUAL

LOC SEAM PANEL

Universal Rake Detail

Loc Seam and Standing Seam Roof w/ Thermal Blocks / Shadow Panel Walls

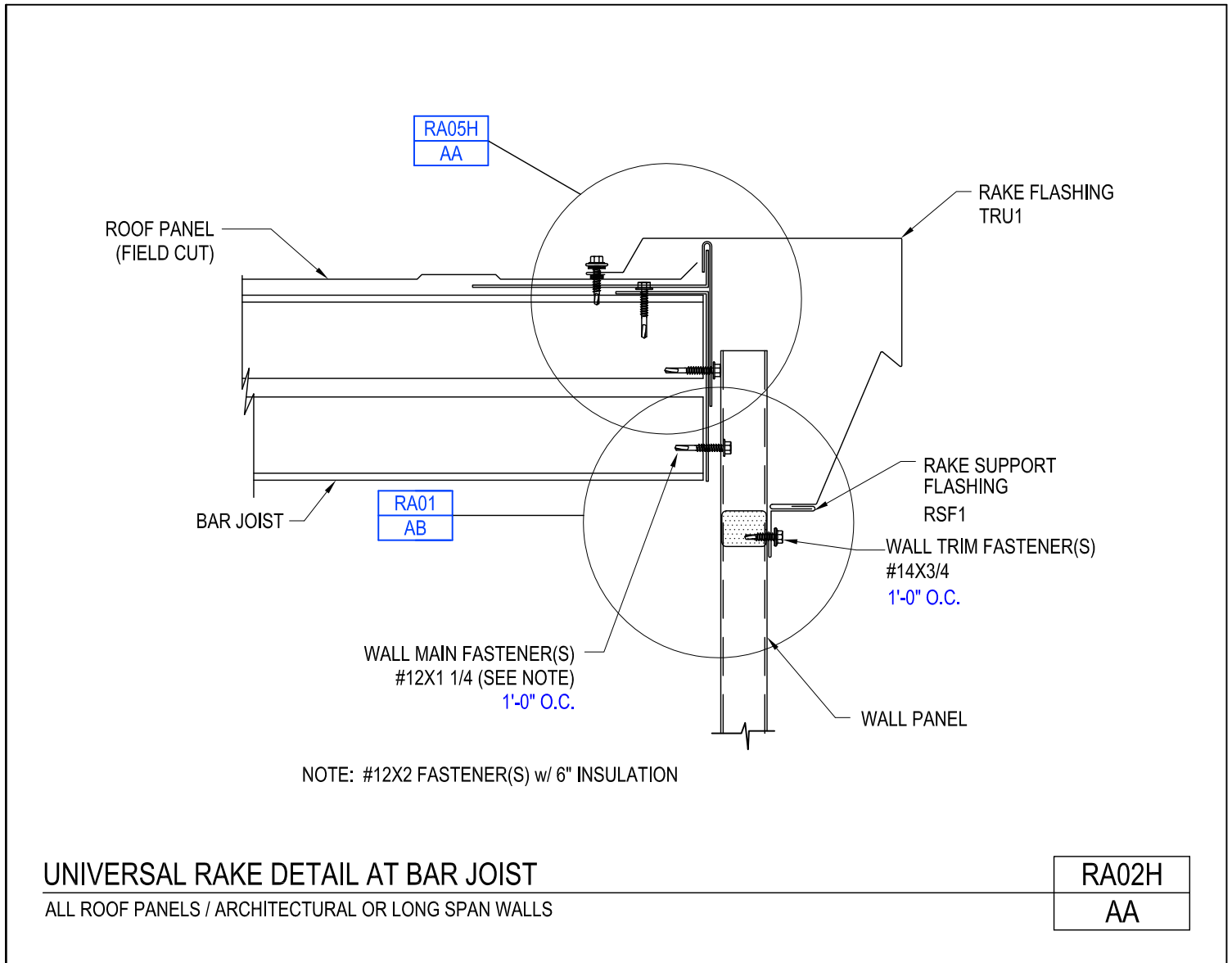
RA02C/AD



[Download the DWG file by clicking here.](#)

[To Section Index](#)

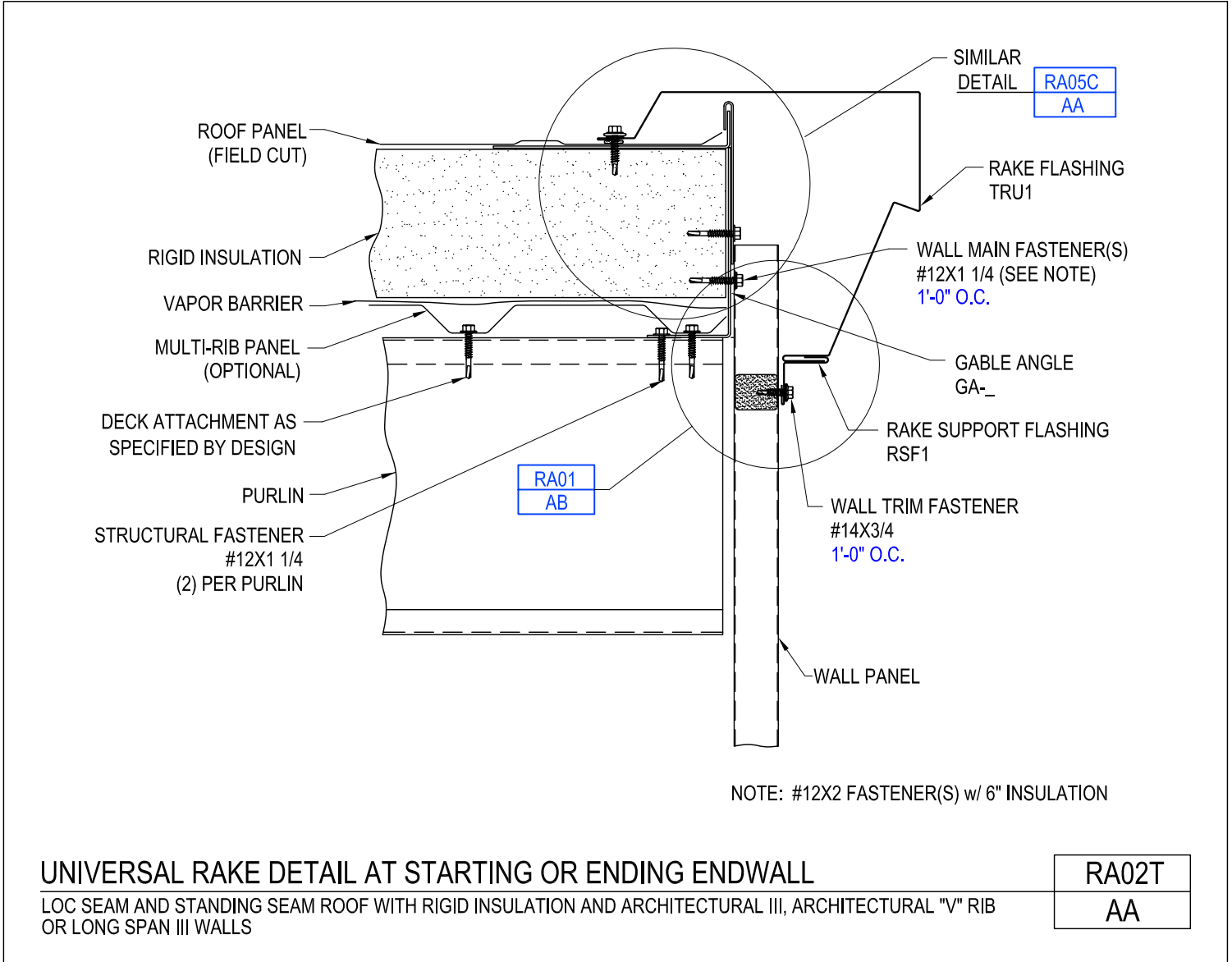
Universal Rake Detail at Bar Joist
All Roof Panels / Architectural or Longspan Walls
RA02H/AA



[Download the DWG file by clicking here.](#)

[To Section Index](#)

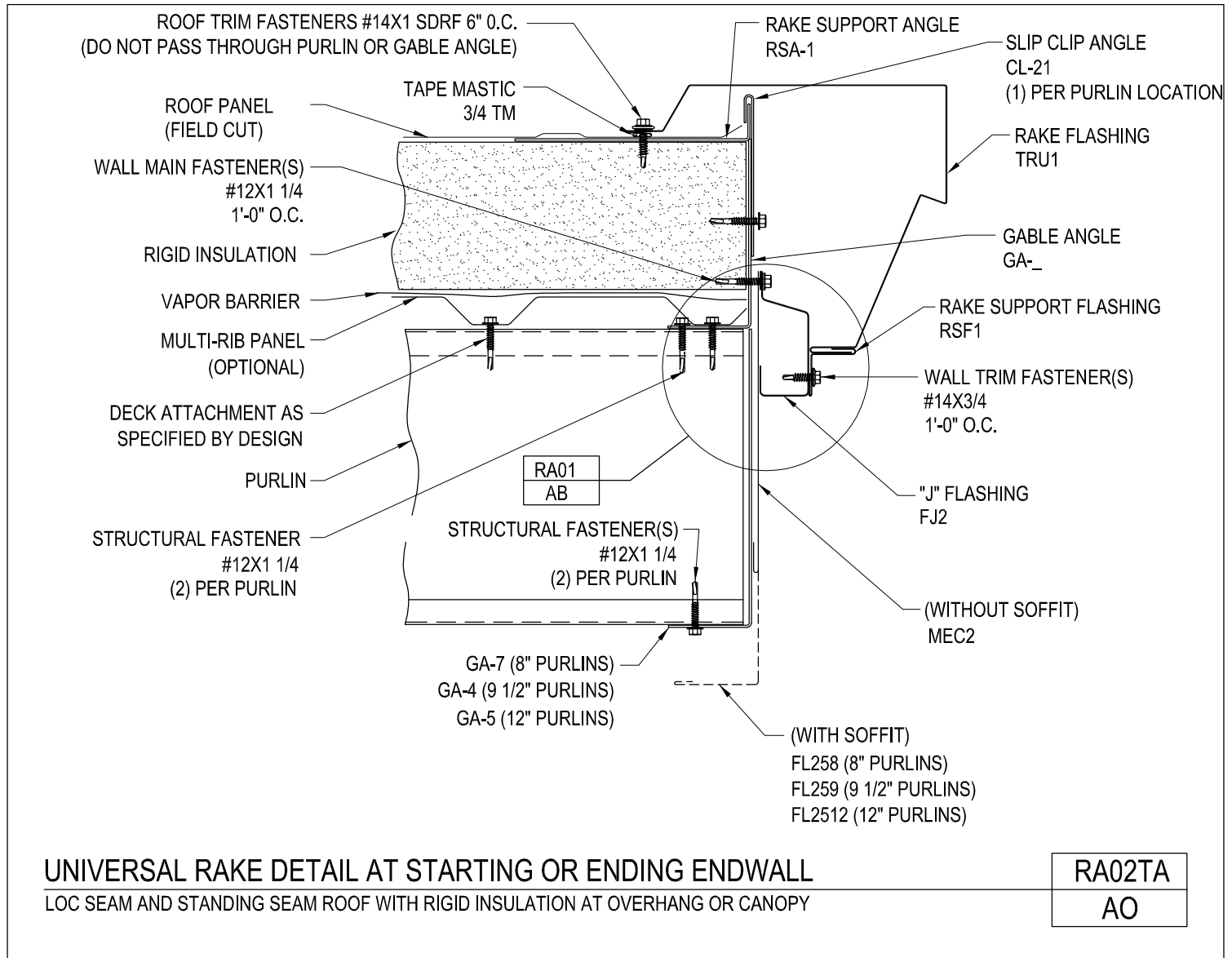
Universal Rake Detail at Starting or Ending Endwall
Loc Seam and Standing Seam Roof w/ Rigid Insulation, Architectural III, Architectural "V" Rib or Longspan III Walls
RA02T/AA



[Download the DWG file by clicking here.](#)

[To Section Index](#)

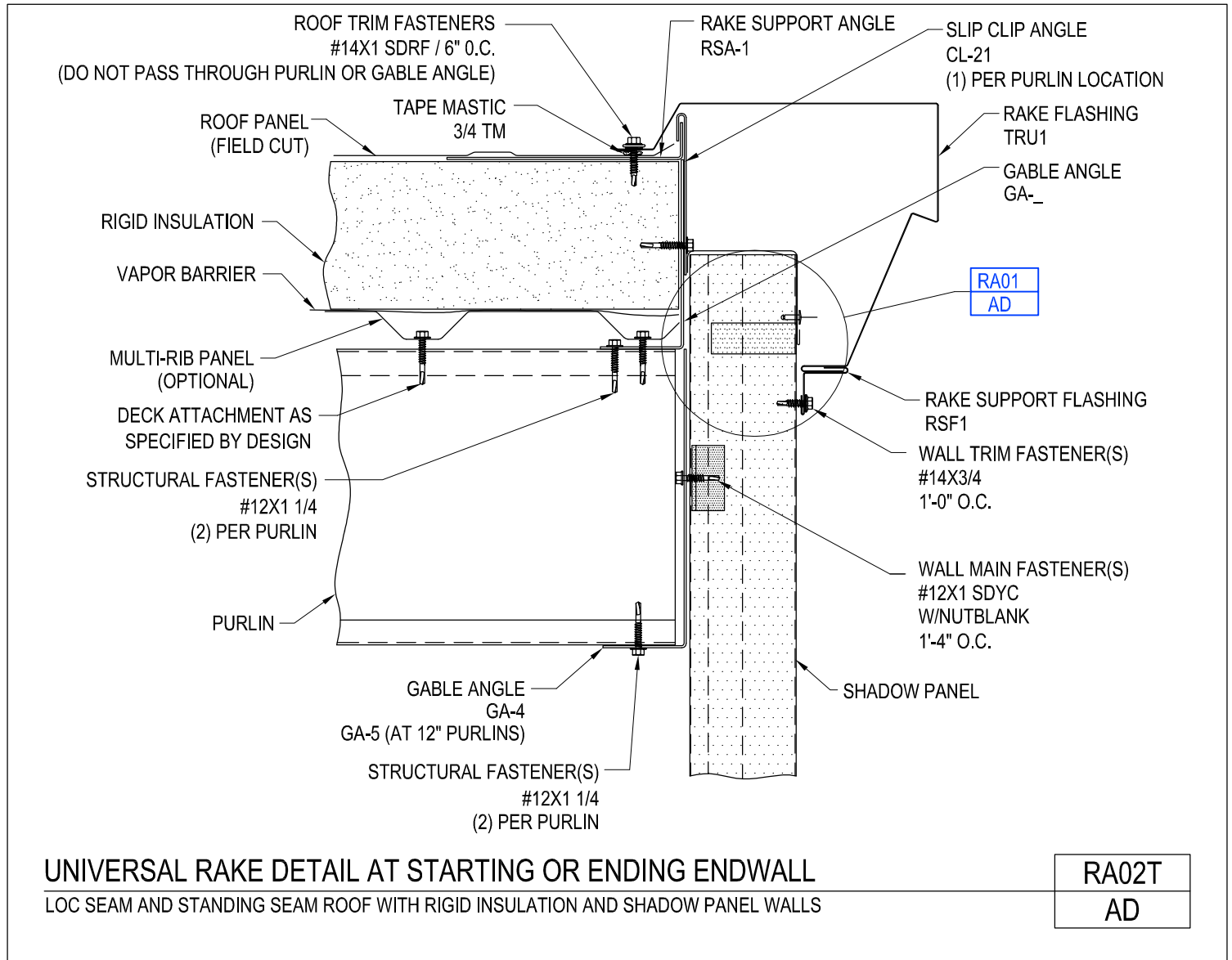
Universal Rake Detail at Starting or Ending Endwall
 Loc Seam and Standing Seam Roof w/ Rigid Insulation at Overhang or Canopy
 RA02TA/AO



[Download the DWG file by clicking here.](#)

[To Section Index](#)

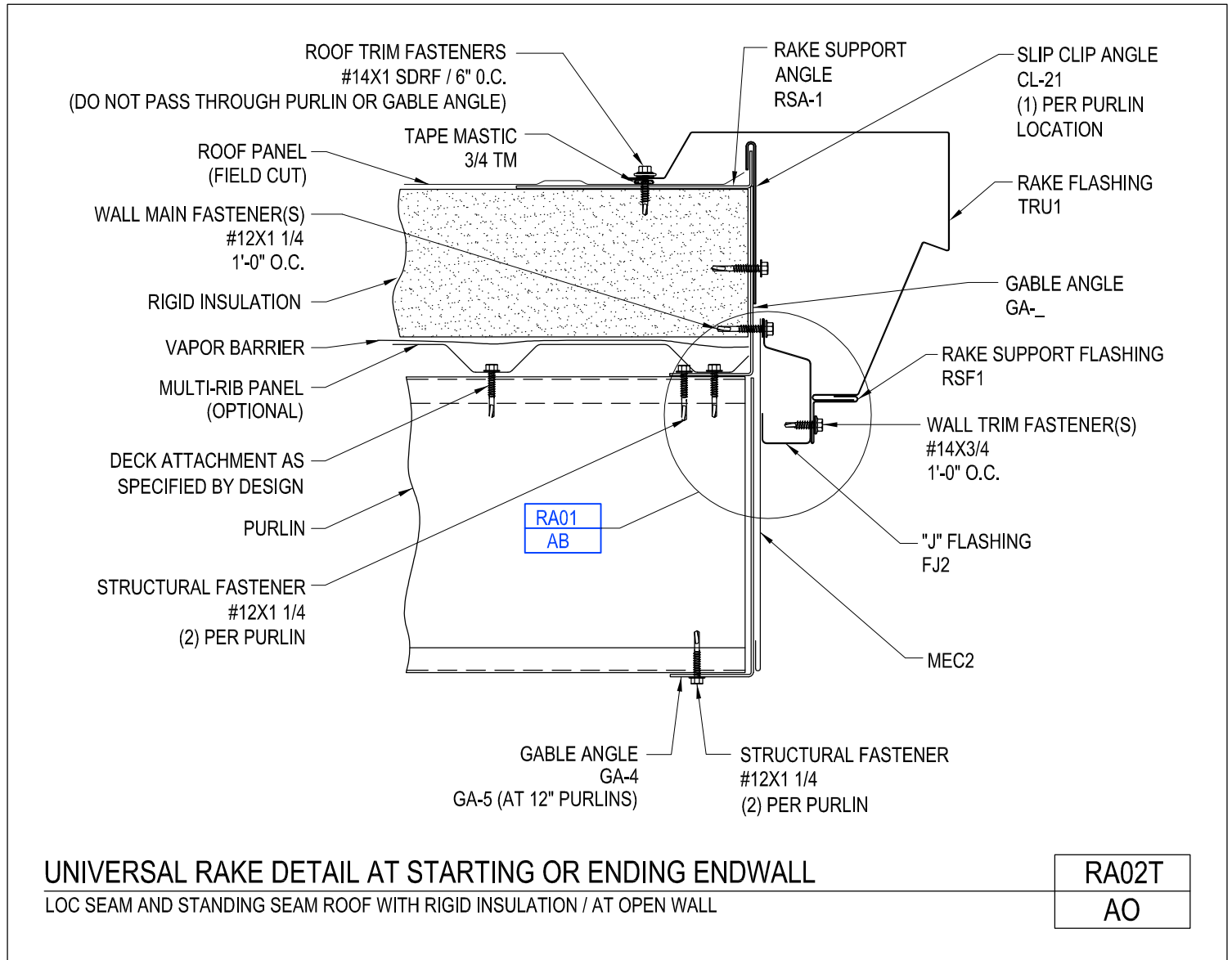
Universal Rake Detail at Starting or Ending Endwall
Loc Seam and Standing Seam Roof w/ Rigid Insulation, Shadow Panel Walls
RA02T/AD



[Download the DWG file by clicking here.](#)

[To Section Index](#)

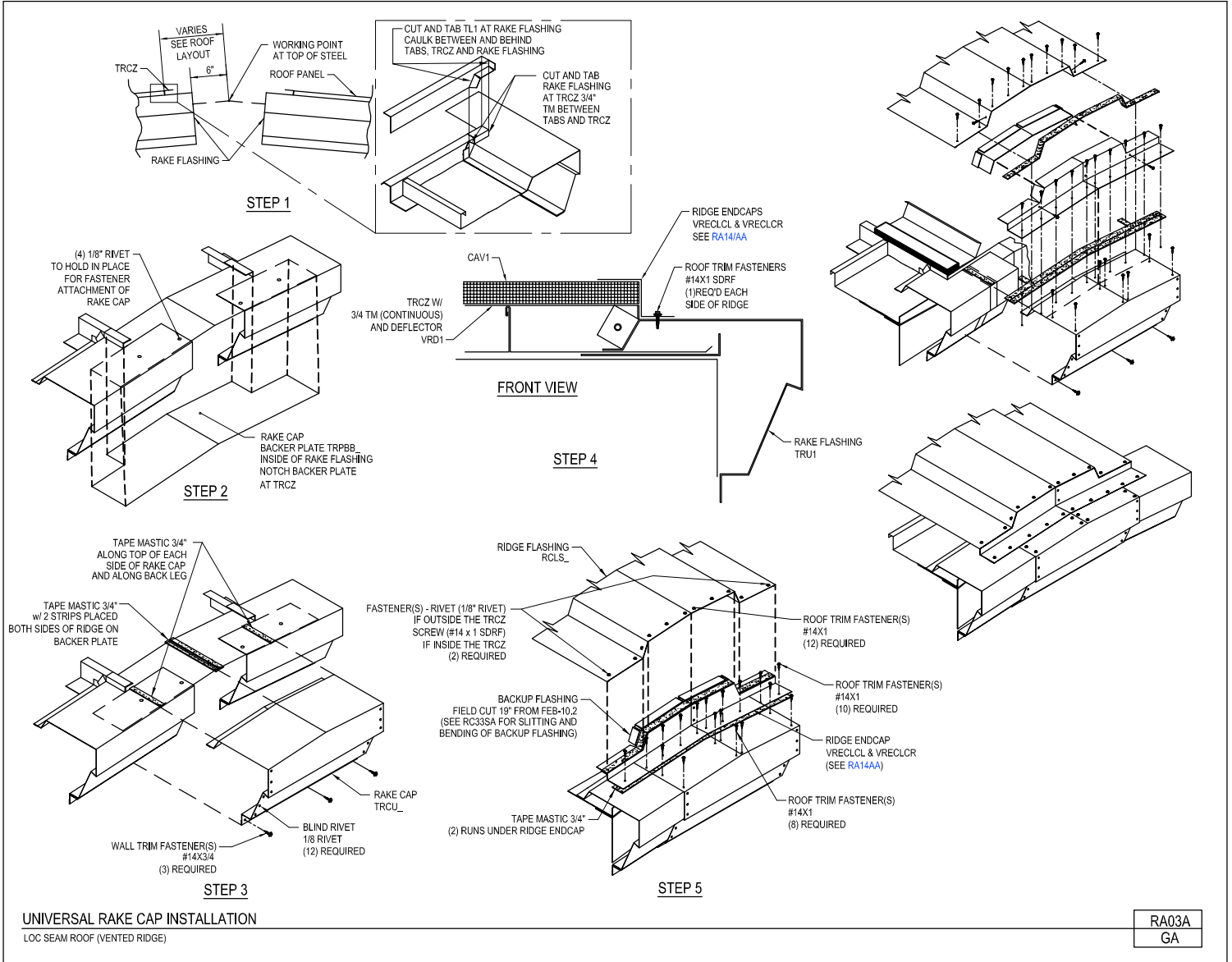
Universal Rake Detail at Starting or Ending Endwall
 Loc Seam and Standing Seam Roof w/ Rigid Insulation / At Open Wall
 RA02T/AO



[Download the DWG file by clicking here.](#)

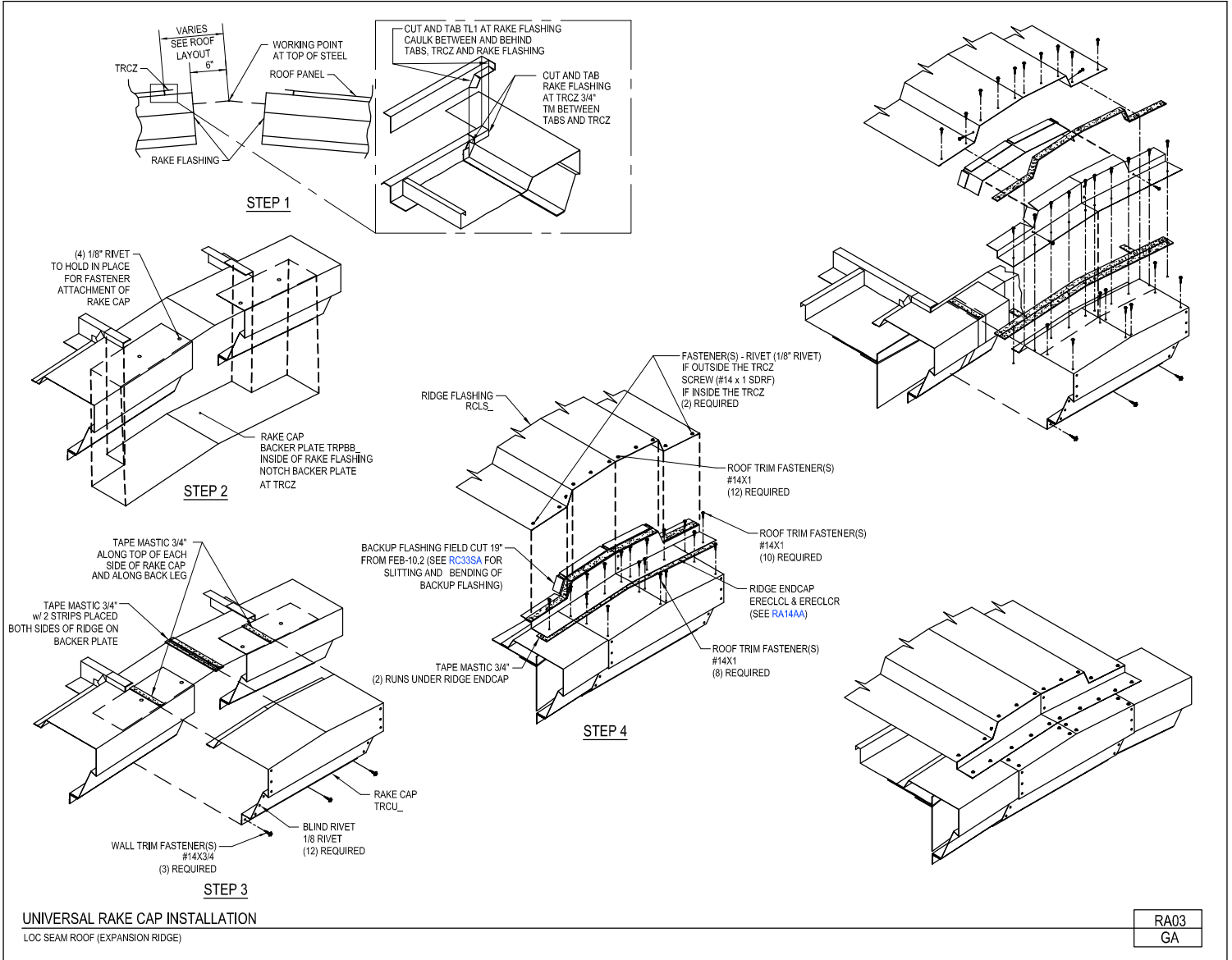
[To Section Index](#)

Universal Rake Cap Installation
Loc Seam (Vented Ridge)
RA03A/GA



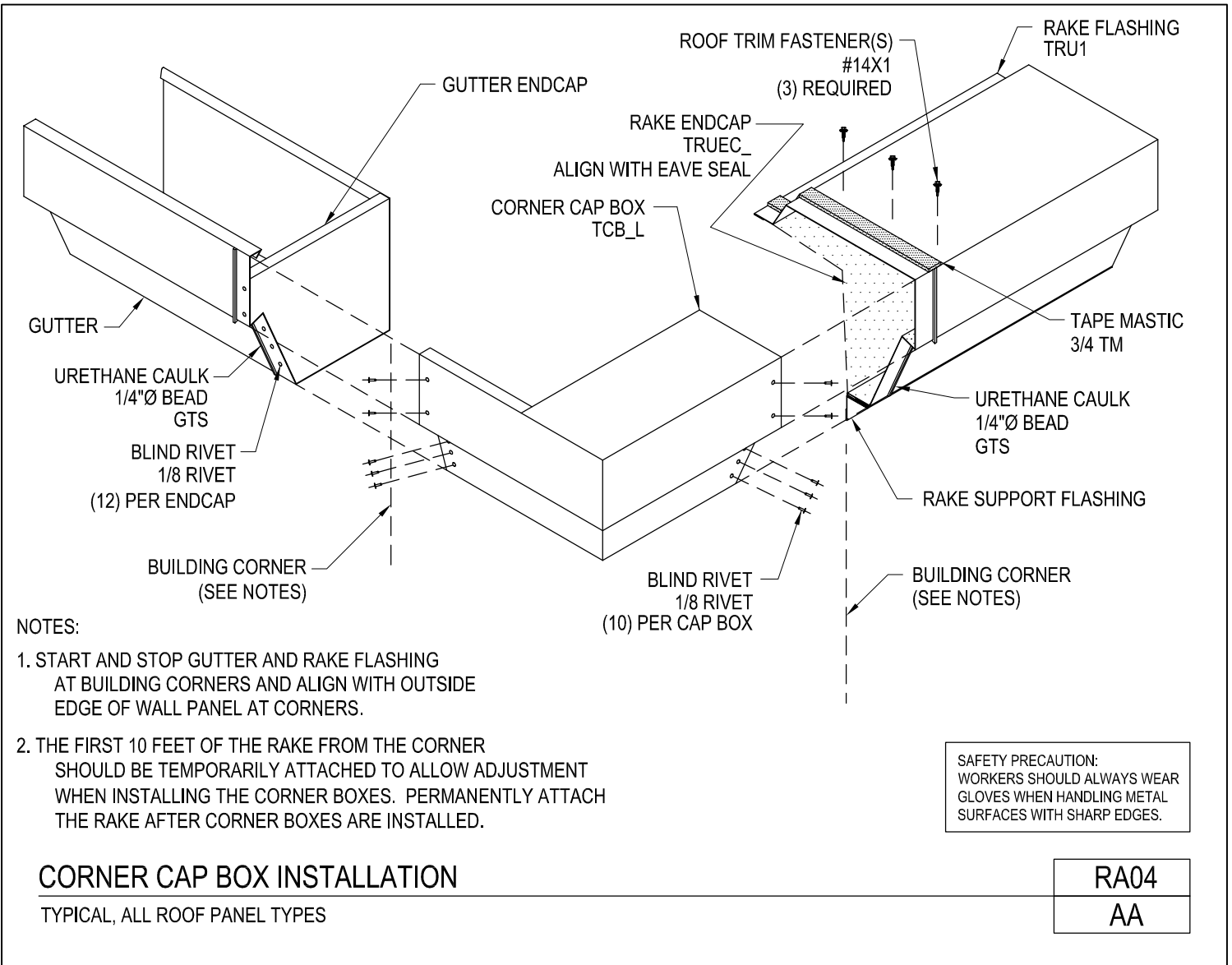
[Download the DWG file by clicking here.](#)

Universal Rake Cap Installation
Loc Seam (Expansion Ridge)
RA03/GA



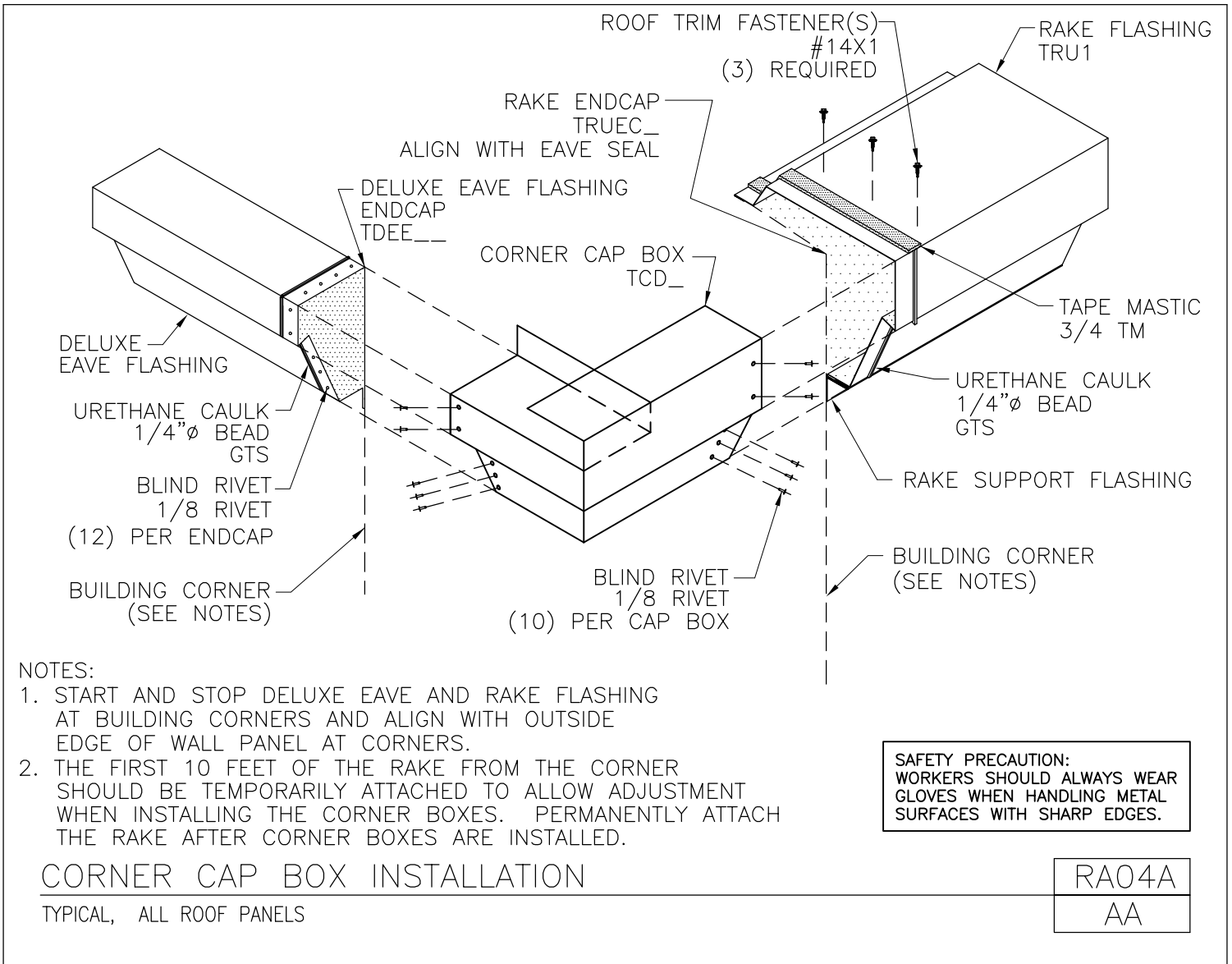
[Download the DWG file by clicking here.](#)

Corner Cap Box Installation
Typical, All Roof Panel Types
RA04/AA



[Download the DWG file by clicking here.](#)

Corner Cap Box Installation
Typical All Roof Panels
RA04A/AA

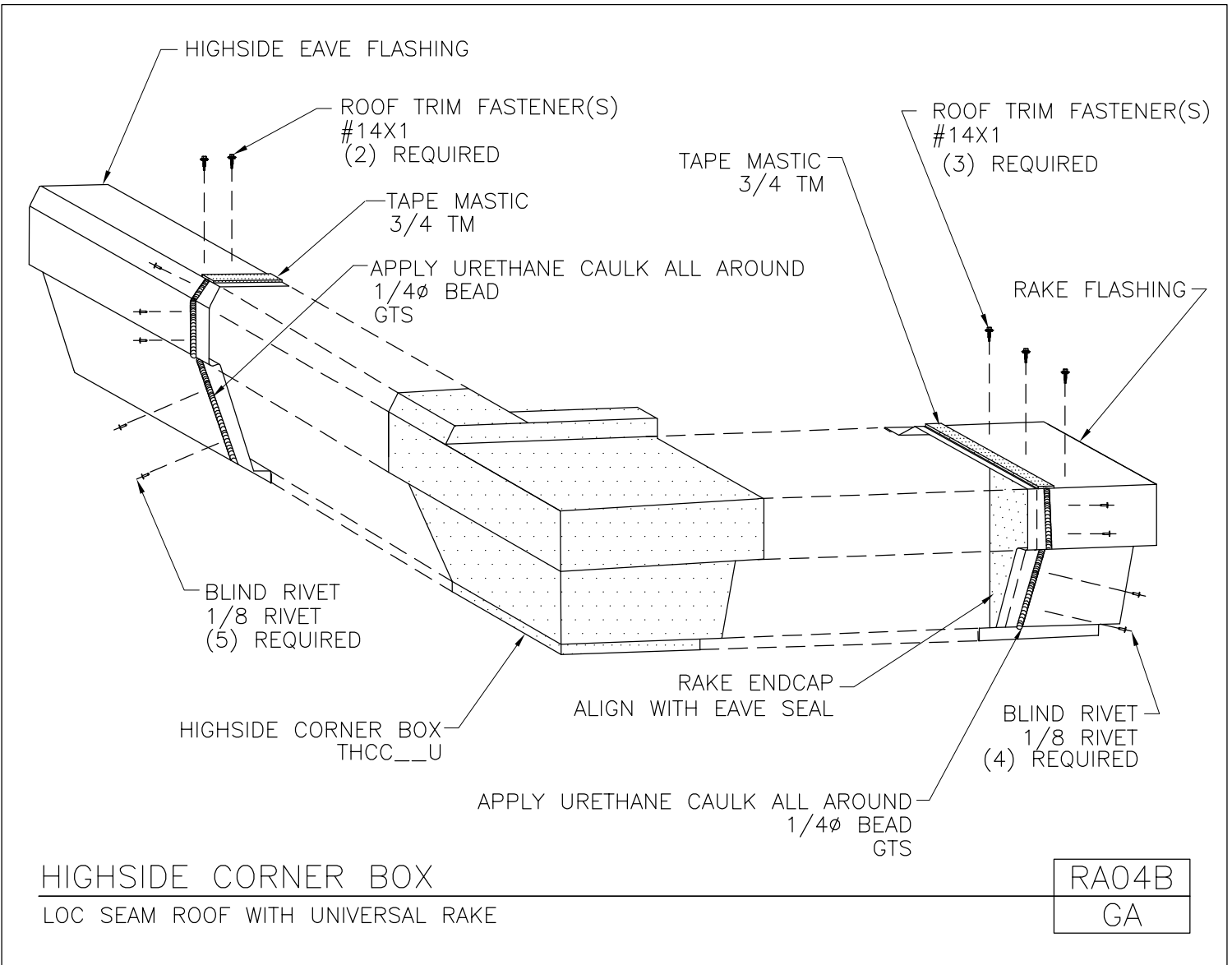


SAFETY PRECAUTION:
WORKERS SHOULD ALWAYS WEAR GLOVES WHEN HANDLING METAL SURFACES WITH SHARP EDGES.

[Download the DWG file by clicking here.](#)

[To Section Index](#)

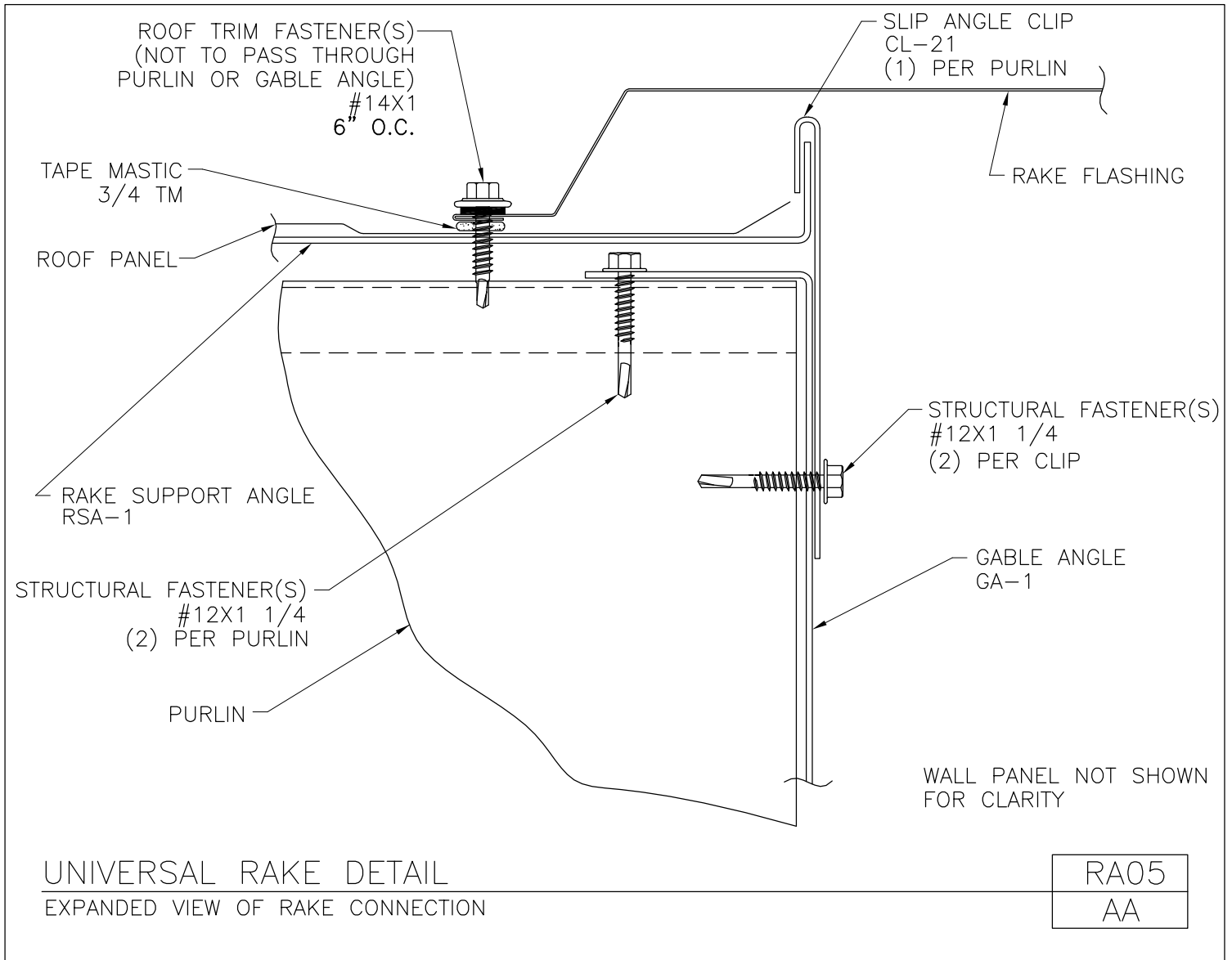
Highside Corner Box
Loc Seam Roof With Universal Rake
RA04B/GA



[Download the DWG file by clicking here.](#)

[To Section Index](#)

Universal Rake Detail
Expanded View of Rake Connection
RA05/AA



[Download the DWG file by clicking here.](#)

[To Section Index](#)



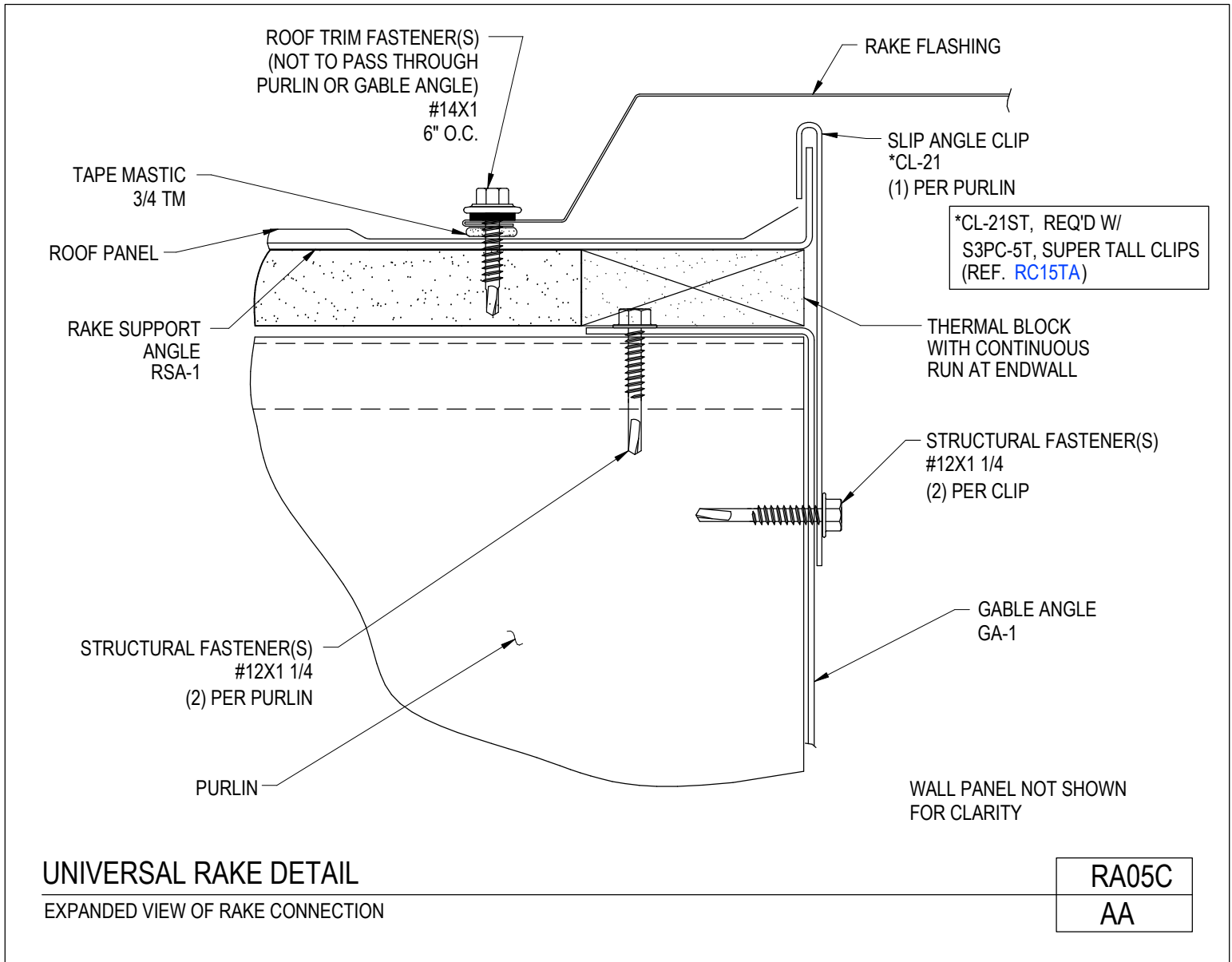
AMERICAN BUILDINGS

A NUCOR COMPANY

PRODUCT MANUAL

LOC SEAM PANEL

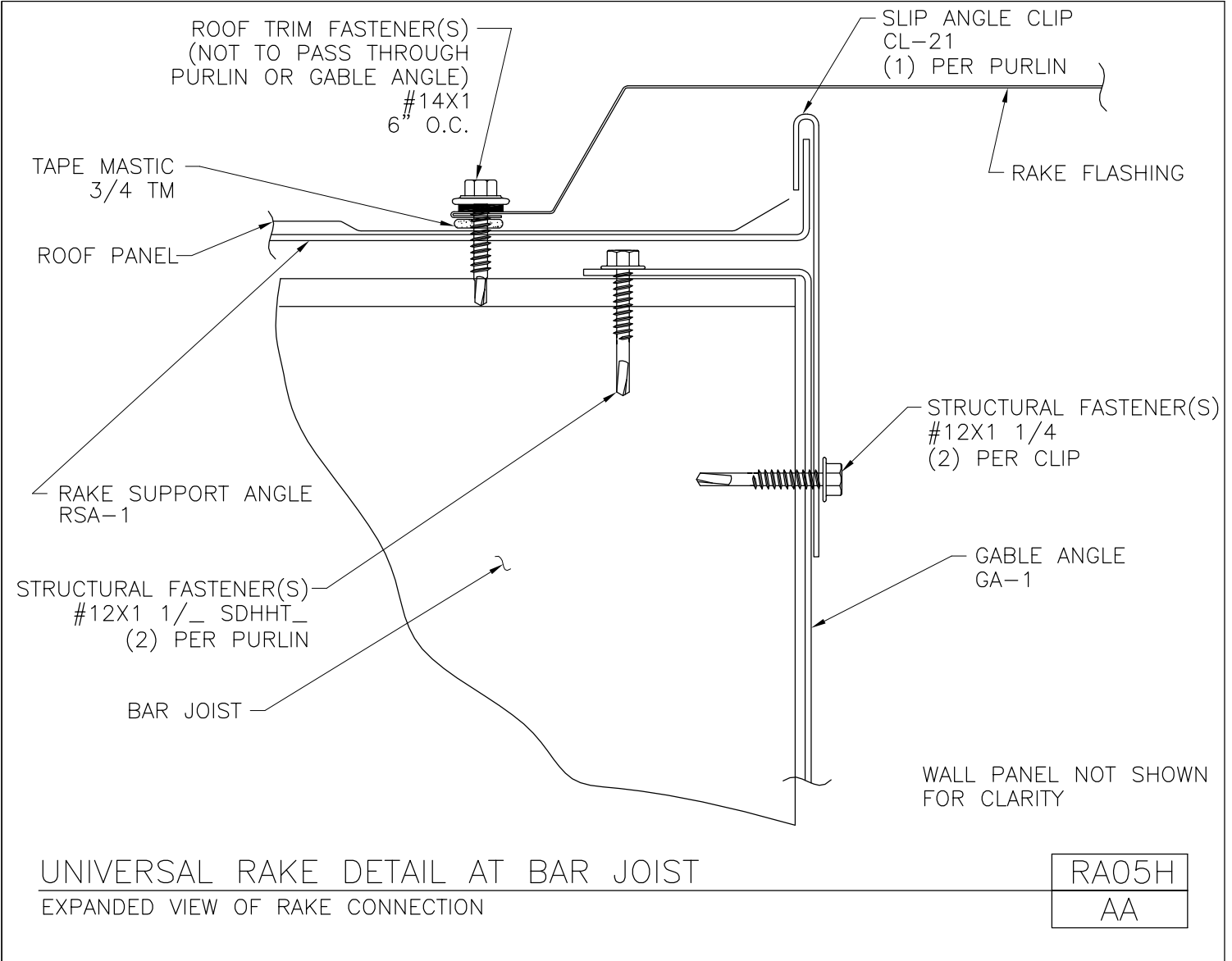
Universal Rake Detail Expanded View of Rake Connection RA05C/AA



[Download the DWG file by clicking here.](#)

[To Section Index](#)

Universal Rake Detail at Bar Joist
Expanded View of Rake Connection
RA05H/AA

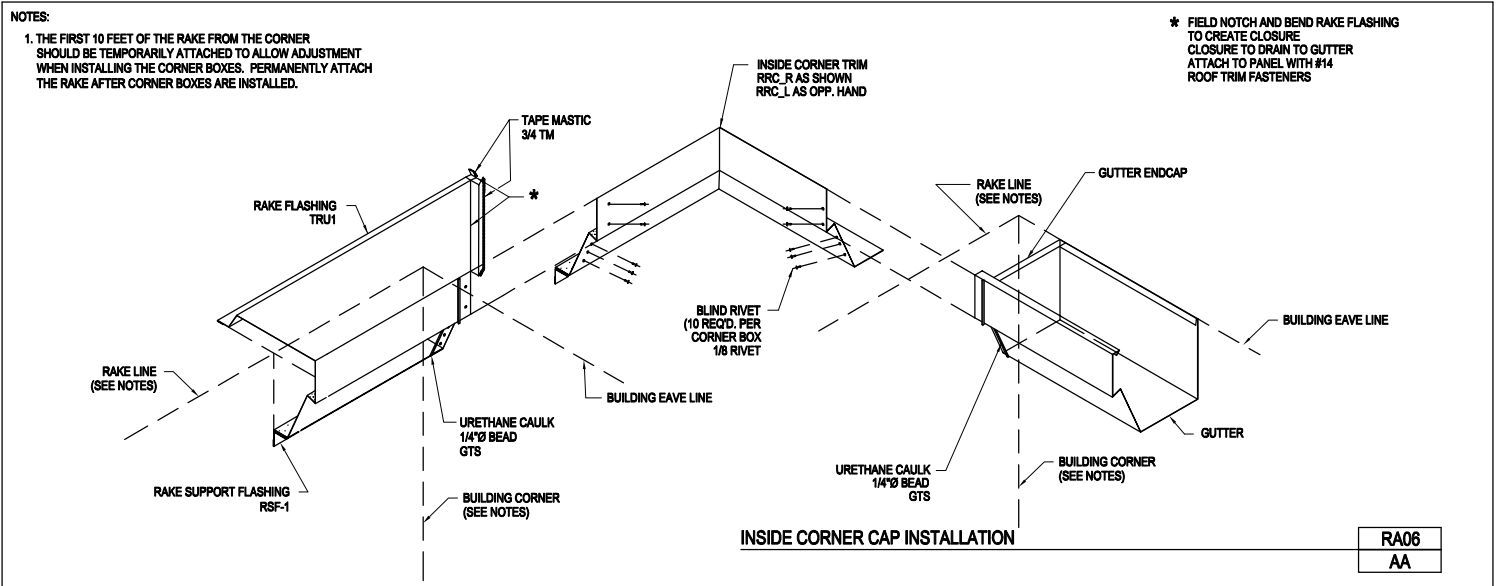


[Download the DWG file by clicking here.](#)

[To Section Index](#)

Inside Corner Cap Installation

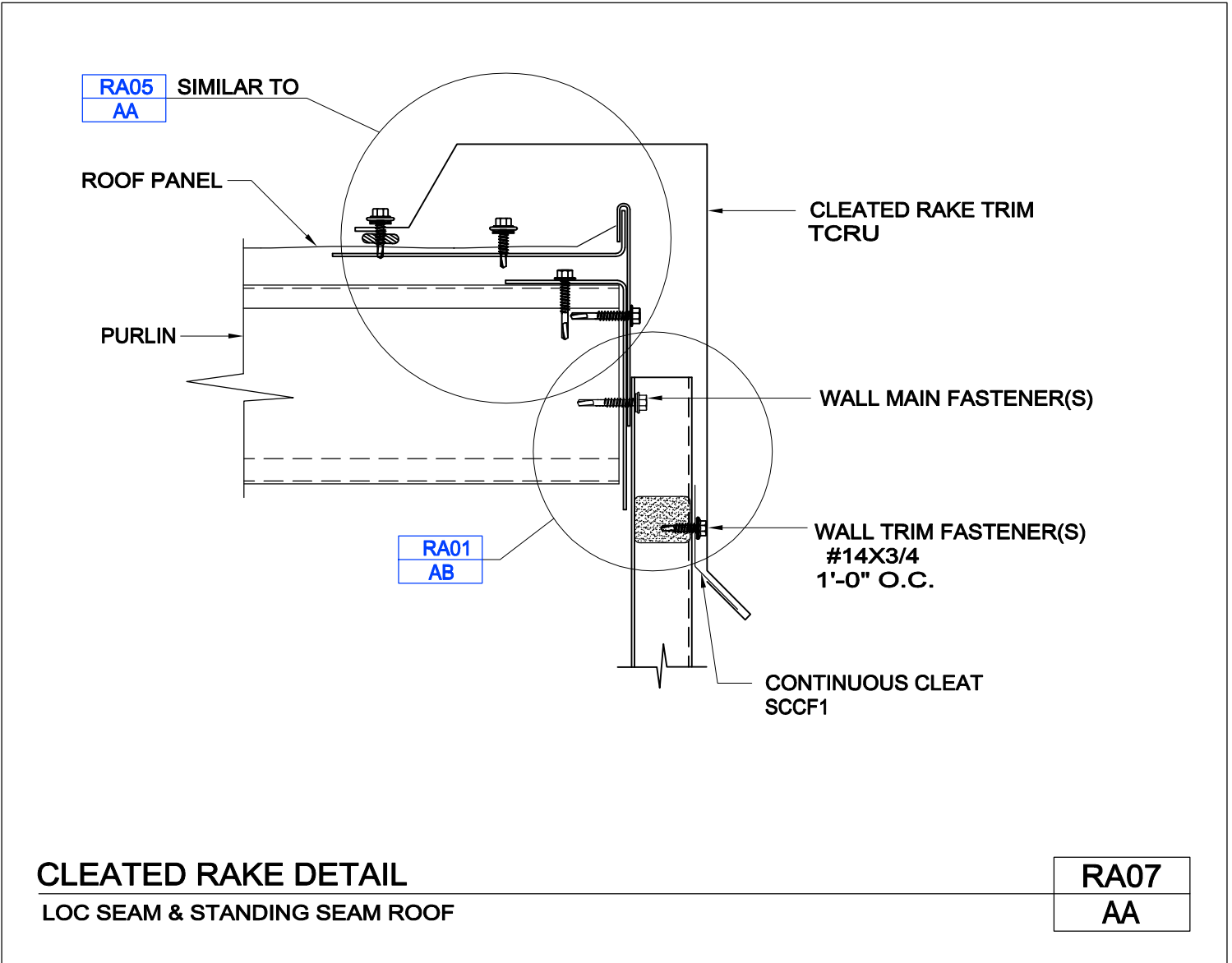
RA06/AA



[Download the DWG file by clicking here.](#)

[To Section Index](#)

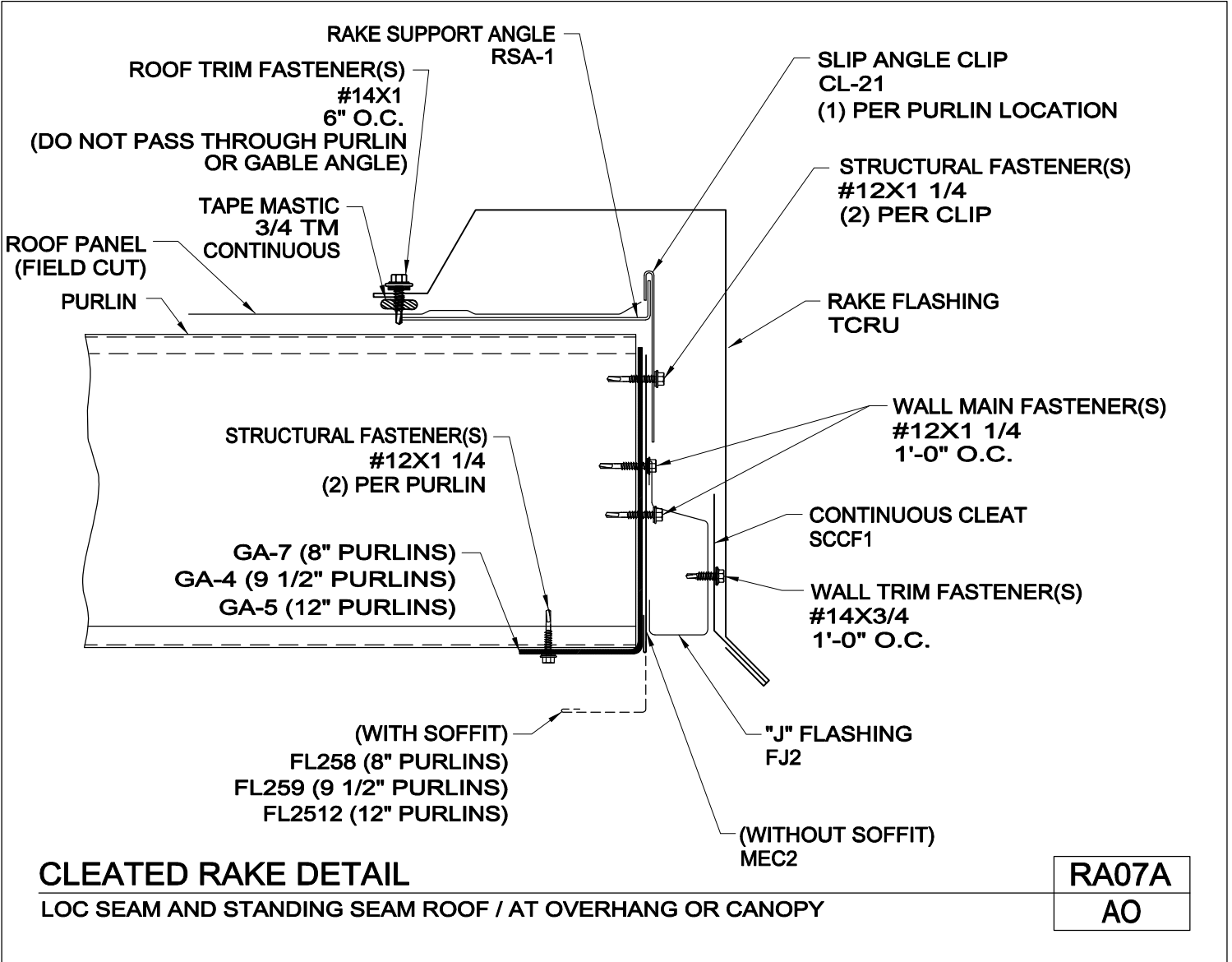
Cleated Rake Detail
Loc Seam & Standing Seam Roof
RA07/AA



[Download the DWG file by clicking here.](#)

[To Section Index](#)

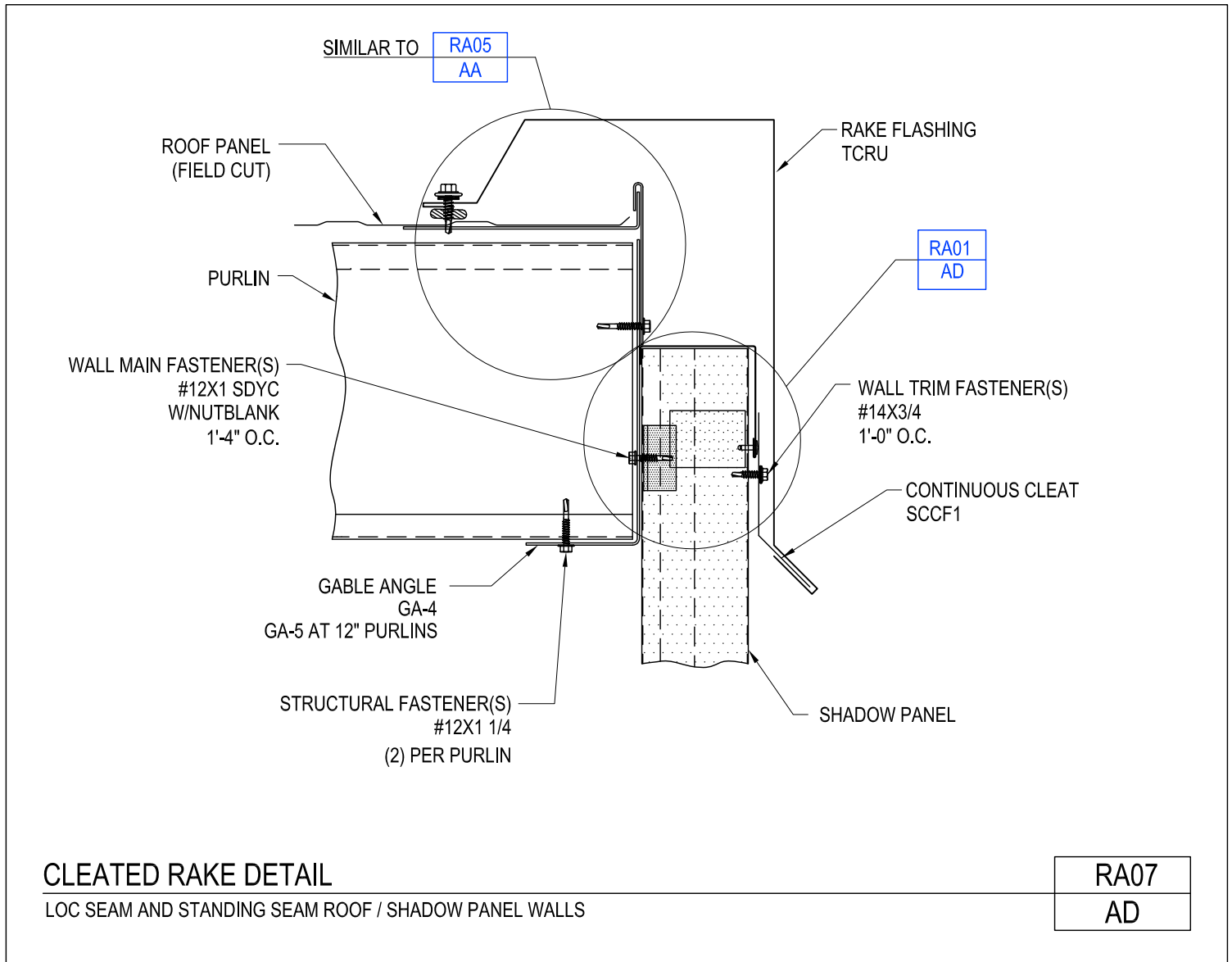
Cleated Rake Detail
 Loc Seam & Standing Seam Roof @ Overhang or Canopy
 RA07A/AO



[Download the DWG file by clicking here.](#)

[To Section Index](#)

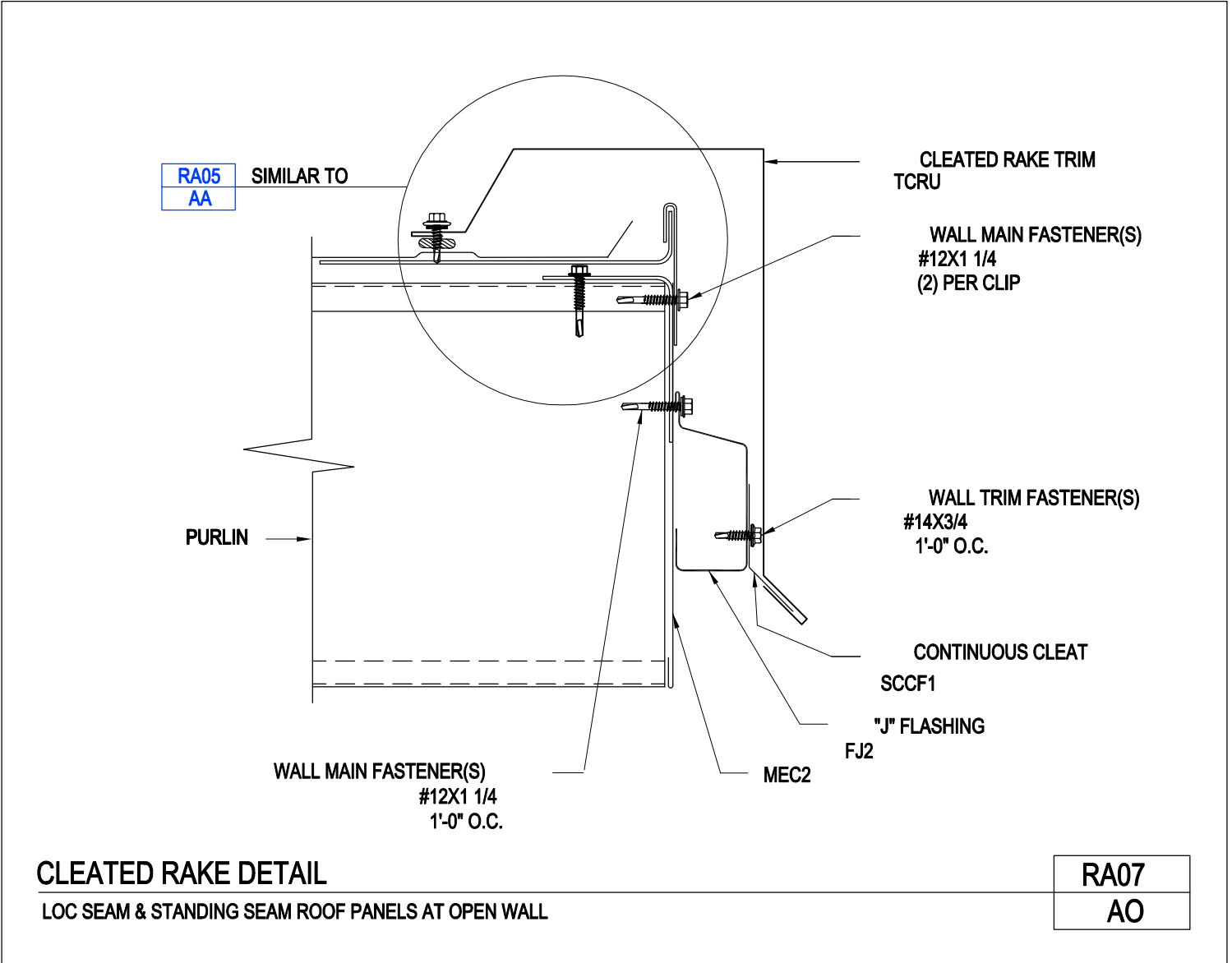
Cleated Rake Detail
Loc Seam & Standing Seam Roof w/ Shadow Panel Walls
RA07/AD



[Download the DWG file by clicking here.](#)

[To Section Index](#)

Cleated Rake Detail
 Loc Seam & Standing Seam Roof Panels @ Open Wall
 RA07/AO



[Download the DWG file by clicking here.](#)

[To Section Index](#)



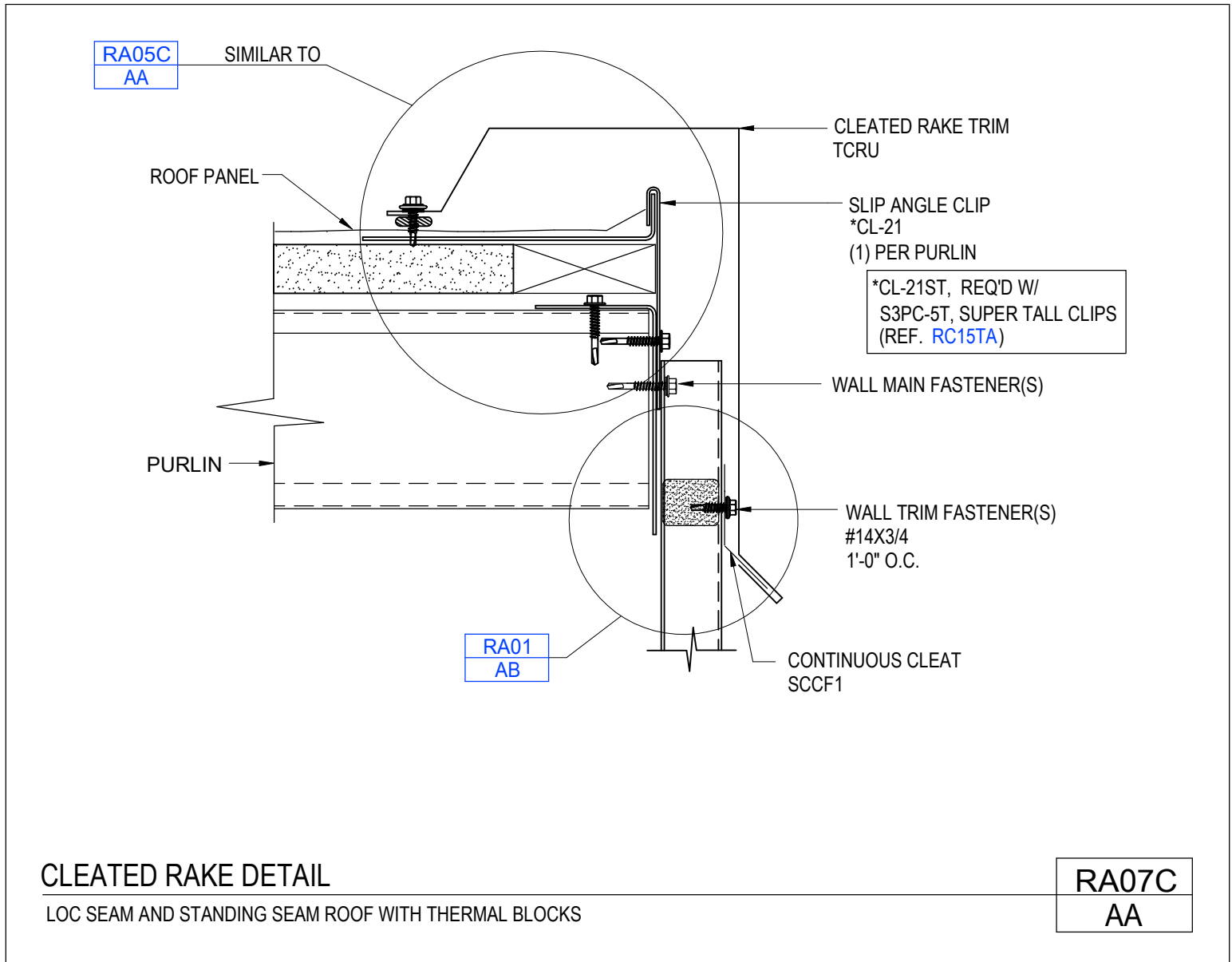
**AMERICAN
BUILDINGS**

A **NUCOR** COMPANY

PRODUCT MANUAL

LOC SEAM PANEL

Cleated Rake Detail
Loc Seam & Standing Seam Roof w/Thermal Blocks
RA07C/AA



[Download the DWG file by clicking here.](#)

[To Section Index](#)



AMERICAN BUILDINGS

A NUCOR COMPANY

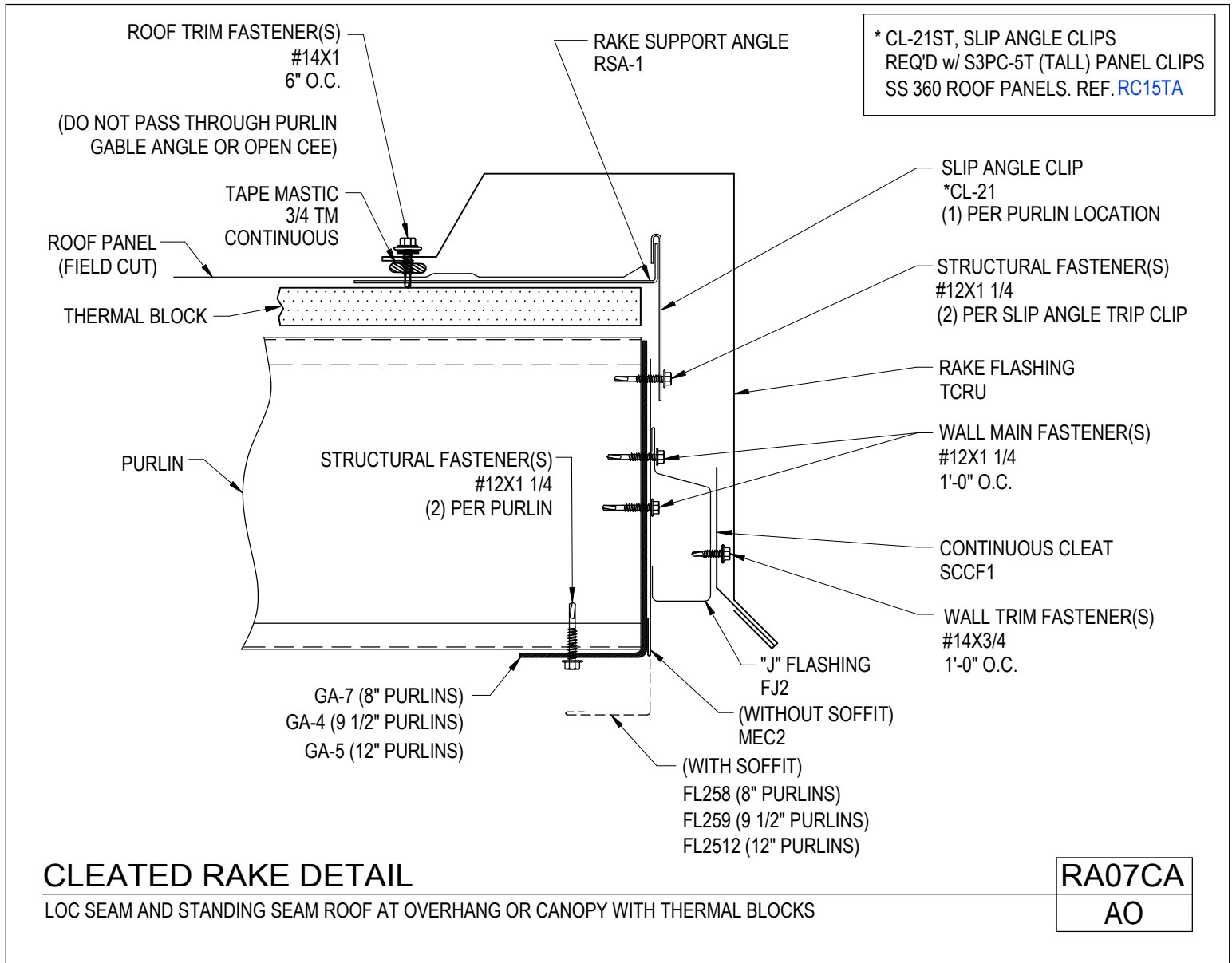
PRODUCT MANUAL

LOC SEAM PANEL

Cleated Rake Detail

Loc Seam & Standing Seam Roof @ Overhang or Canopy w/ Thermal Blocks

RA07CA/AO



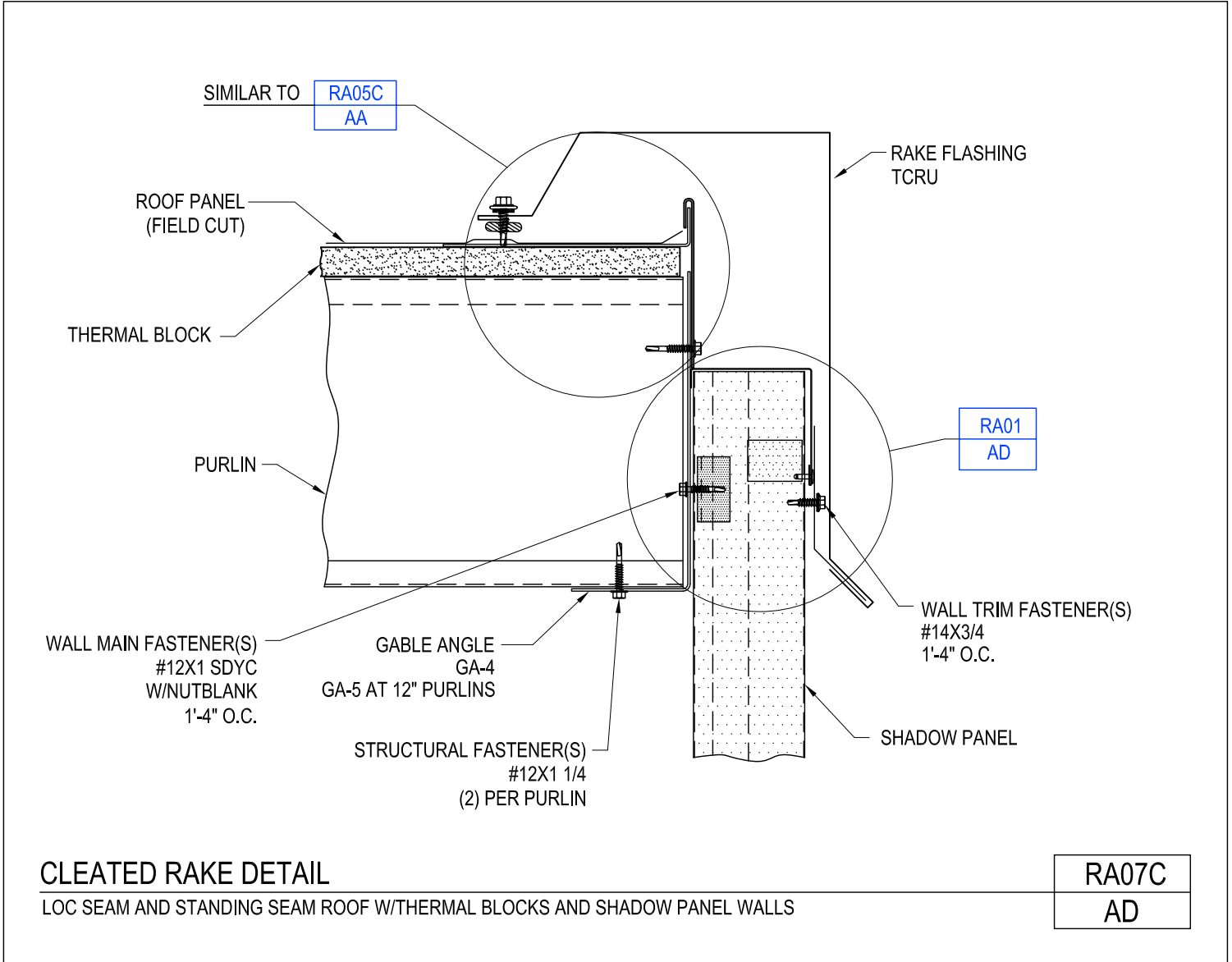
CLEATED RAKE DETAIL

LOC SEAM AND STANDING SEAM ROOF AT OVERHANG OR CANOPY WITH THERMAL BLOCKS

[Download the DWG file by clicking here.](#)

[To Section Index](#)

Cleated Rake Detail
Loc Seam & Standing Seam Roof w/ Thermal Blocks Shadow Panel Walls
RA07C/AD



[Download the DWG file by clicking here.](#)

[To Section Index](#)



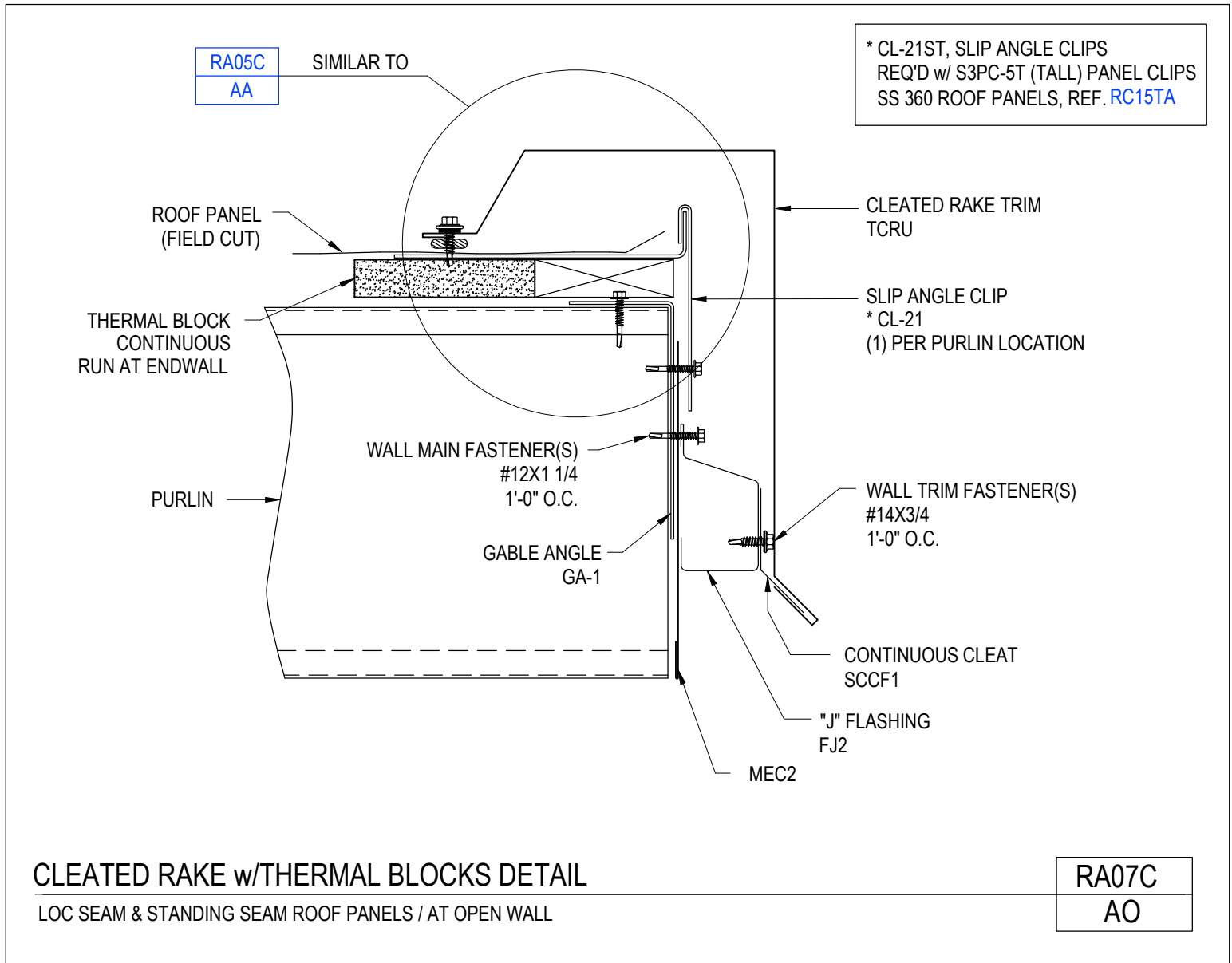
AMERICAN BUILDINGS

A NUCOR COMPANY

PRODUCT MANUAL

LOC SEAM PANEL

Cleated Rake Detail w/ Thermal Blocks
Loc Seam & Standing Seam Roof Panels @ Open Wall
RA07C/AO



[Download the DWG file by clicking here.](#)

[To Section Index](#)



AMERICAN BUILDINGS

A **NUCOR** COMPANY

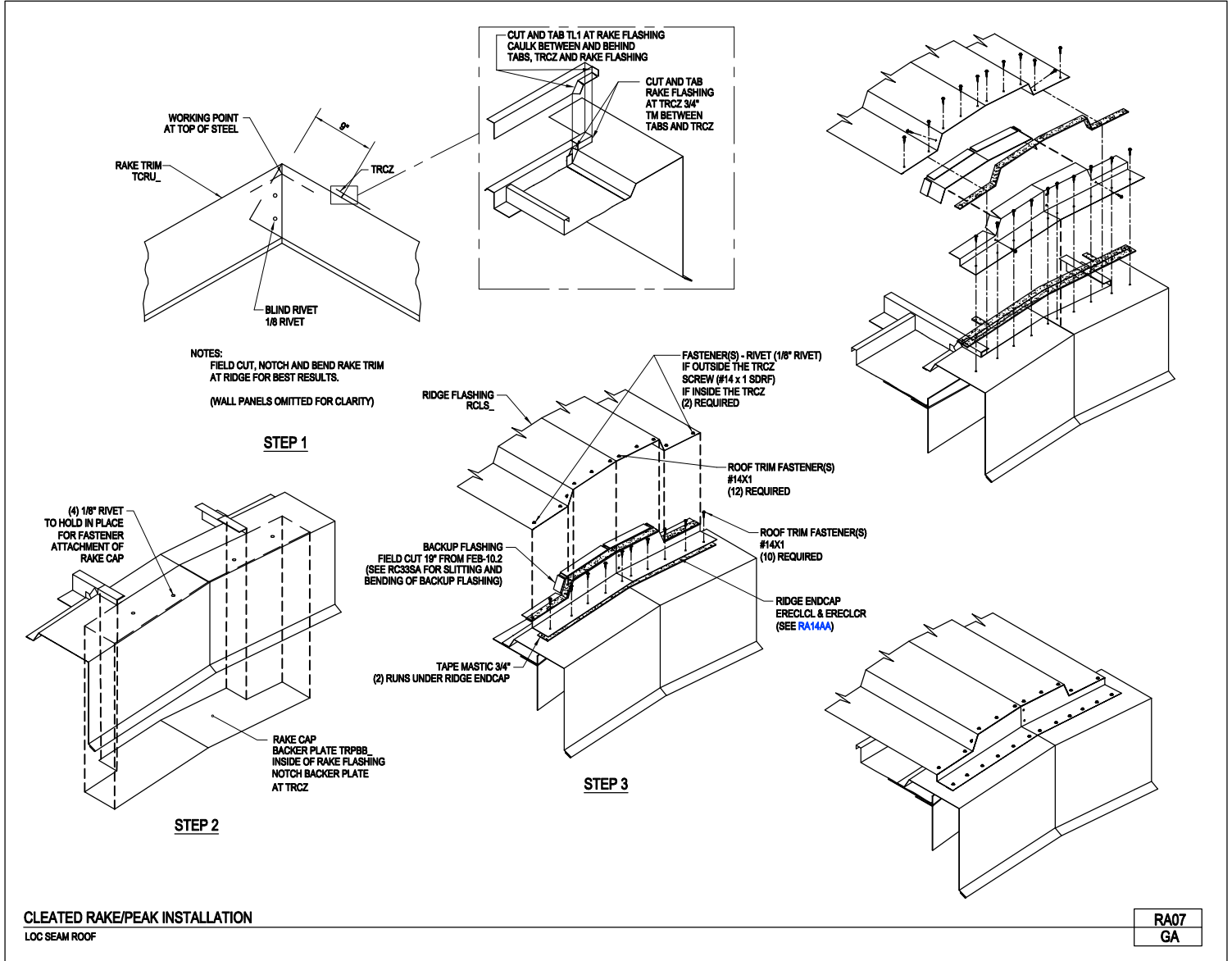
PRODUCT MANUAL

LOC SEAM PANEL

Cleated Rake/Peak Installation

Loc Seam Roof

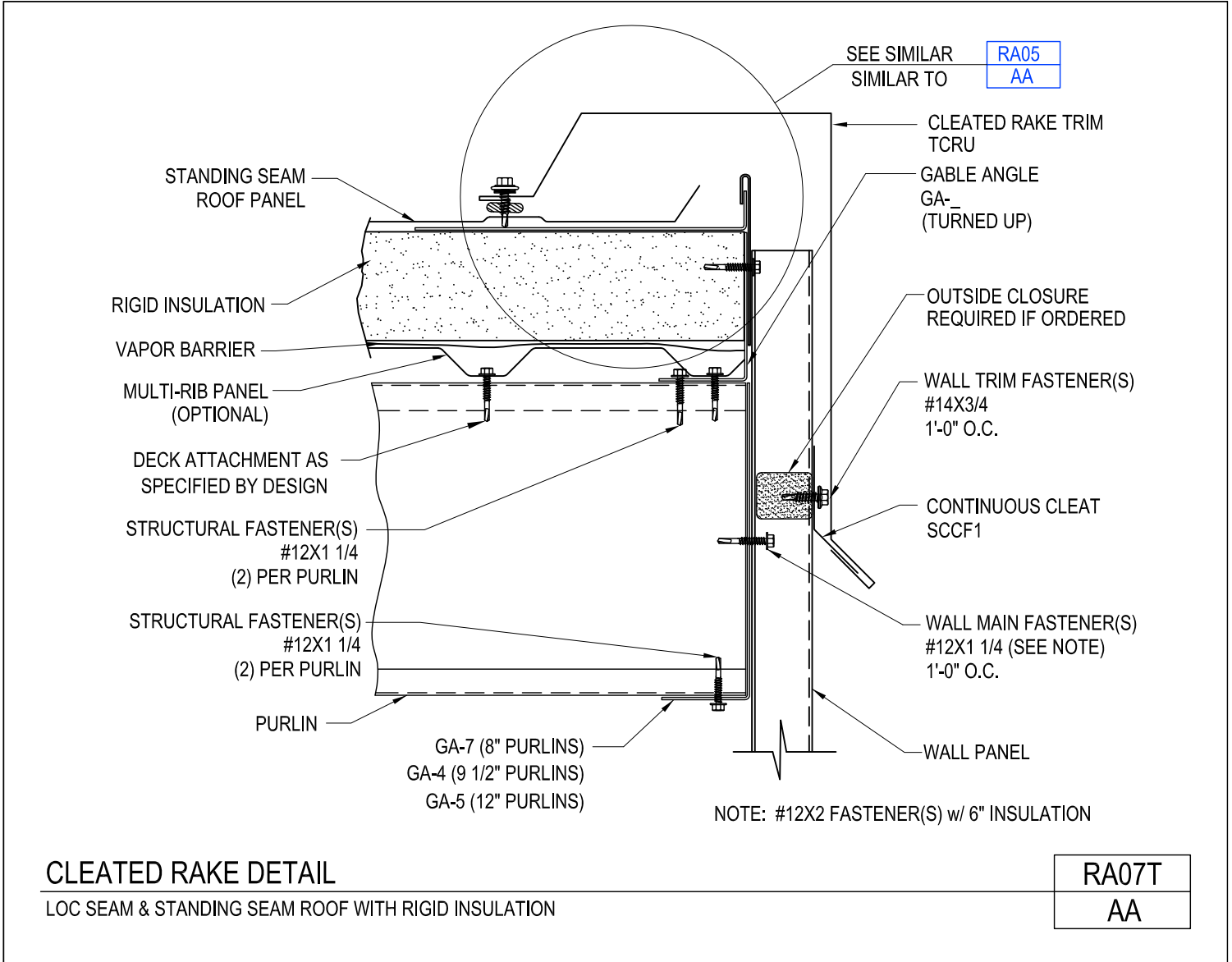
RA07/GA



[Download the DWG file by clicking here.](#)

[To Section Index](#)

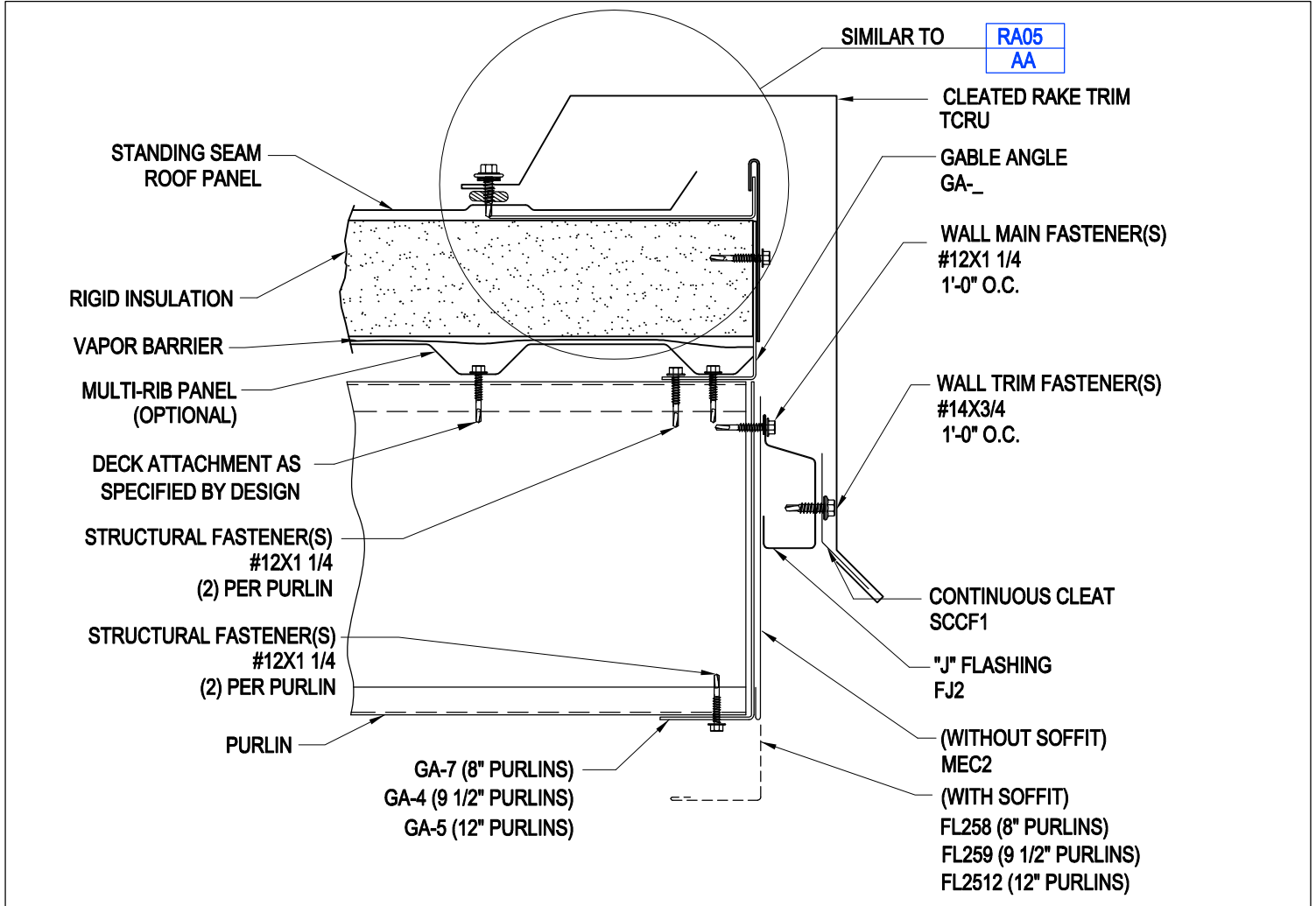
Cleated Rake Detail
Loc Seam & Standing Seam w/ Rigid Insulation
RA07T/AA



[Download the DWG file by clicking here.](#)

[To Section Index](#)

Cleated Rake Detail
 Loc Seam & Standing Seam Roof w/ Rigid Insulation @ Overhang or Canopy
 RA07TA/AO



CLEATED RAKE DETAIL

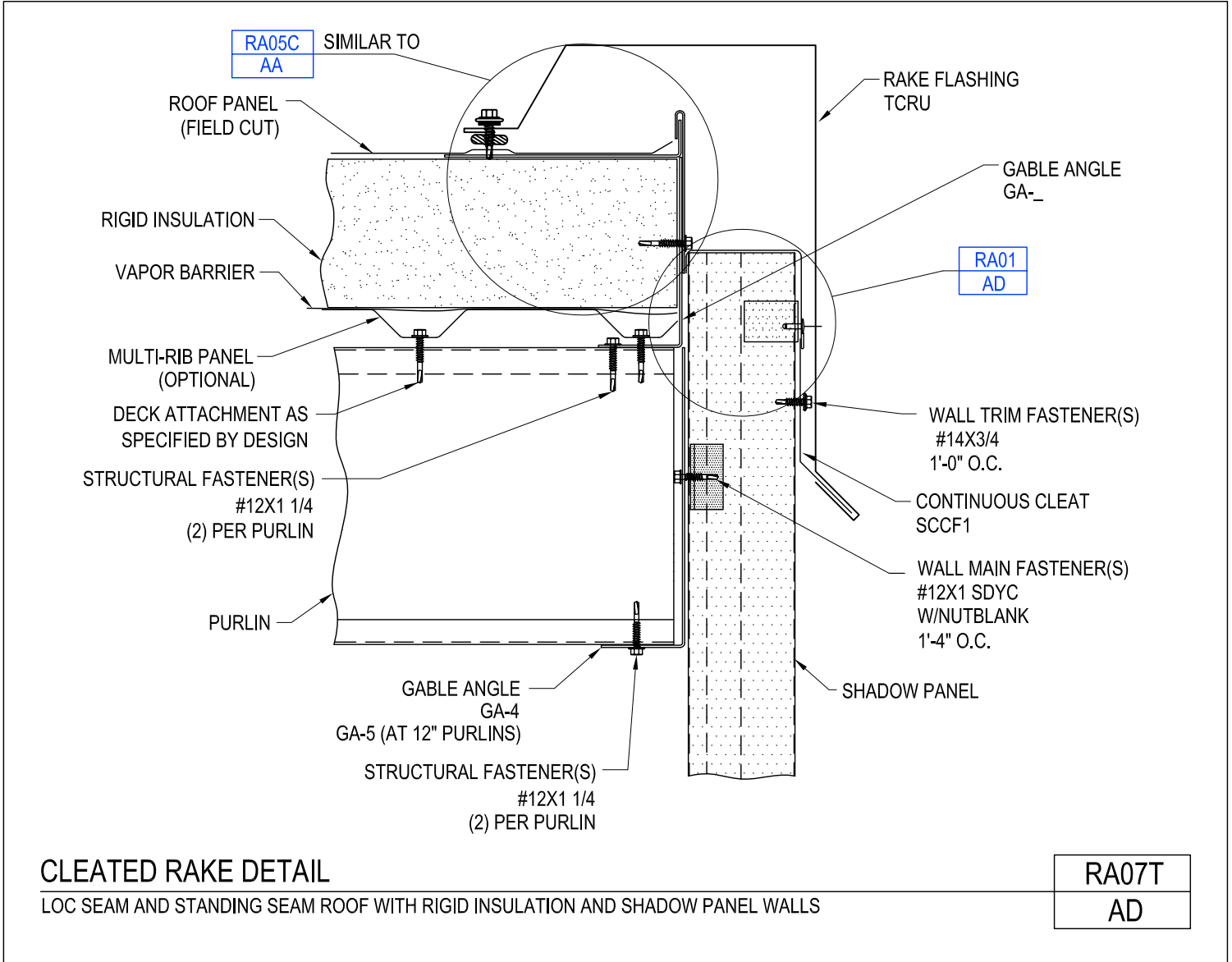
LOC SEAM & STANDING SEAM ROOF WITH RIGID INSULATION AT OVERHANG OR CANOPY

RA07TA
AO

[Download the DWG file by clicking here.](#)

[To Section Index](#)

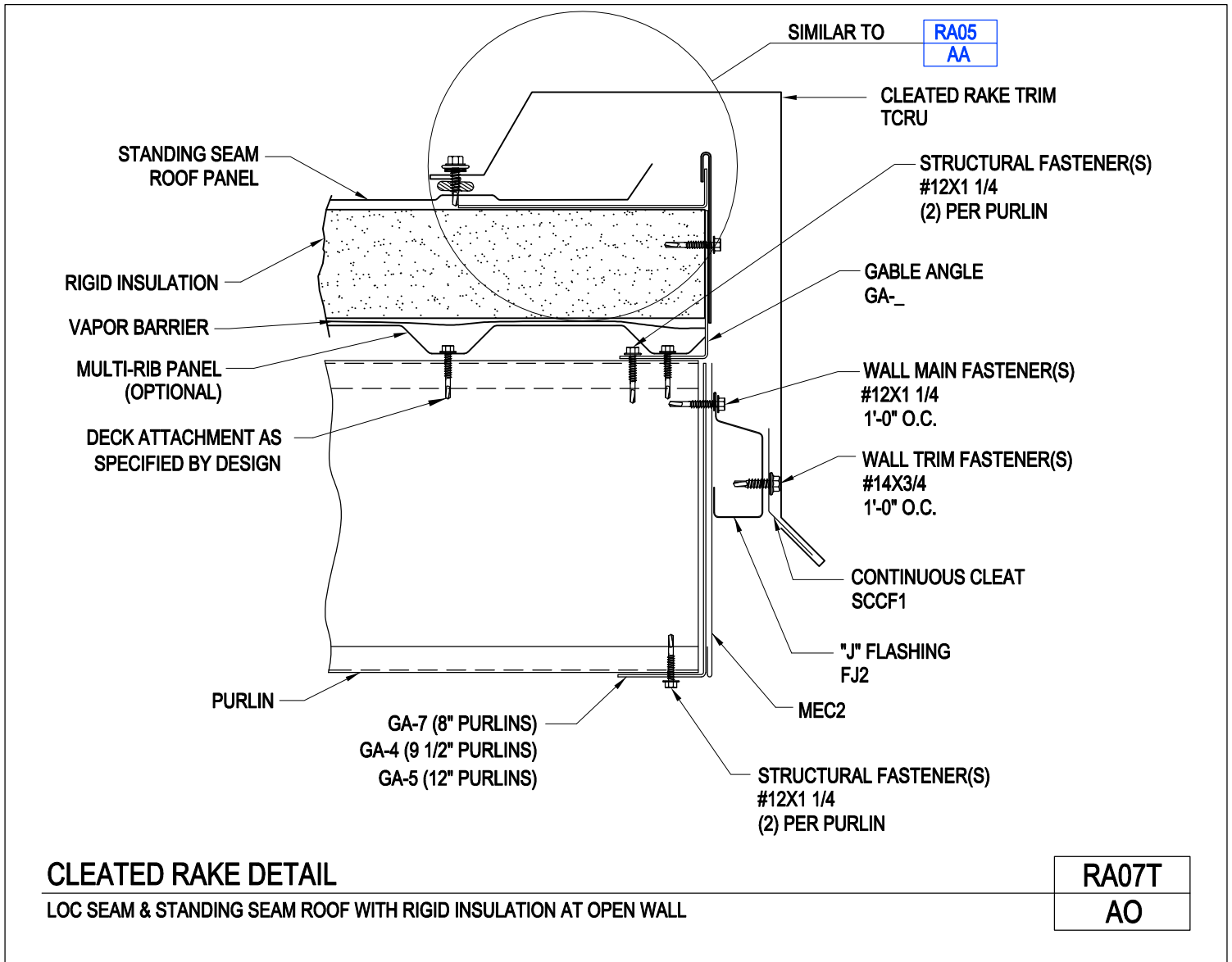
Cleated Rake Detail
 Loc Seam & Standing Seam Roof w/ Rigid Insulation Shadow Panel Walls
 RA07T/AD



[Download the DWG file by clicking here.](#)

[To Section Index](#)

Cleated Rake Detail
 Loc Seam & Standing Seam Roof w/ Rigid Insulation @ Open Wall
 RA07T/AO



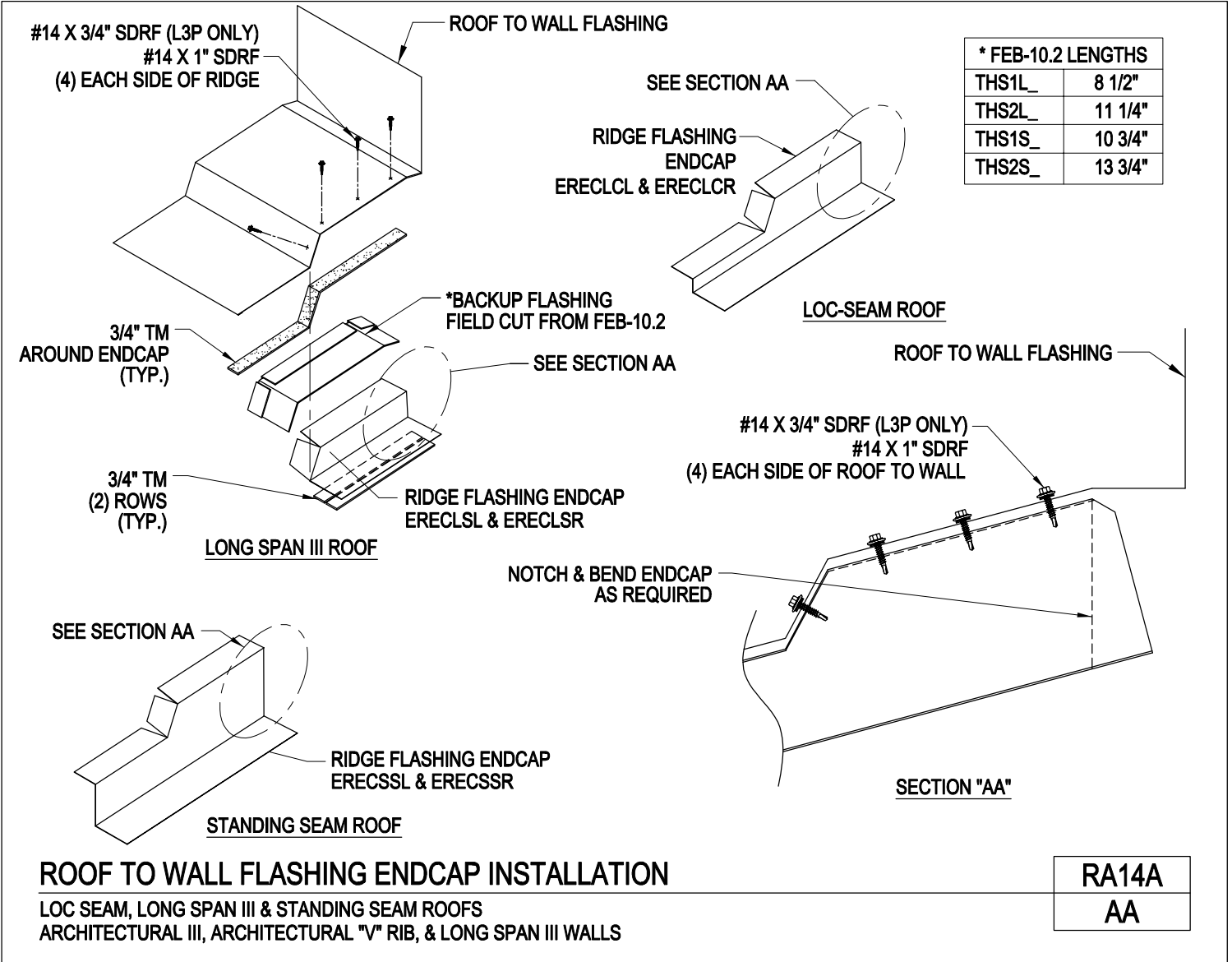
[Download the DWG file by clicking here.](#)

[To Section Index](#)

Roof to Wall Flashing Endcap Installation

Loc Seam, Long Span III & Standing Seam Roofs w/ Architectural III, Architectural "V" Rib & Long Span III Walls

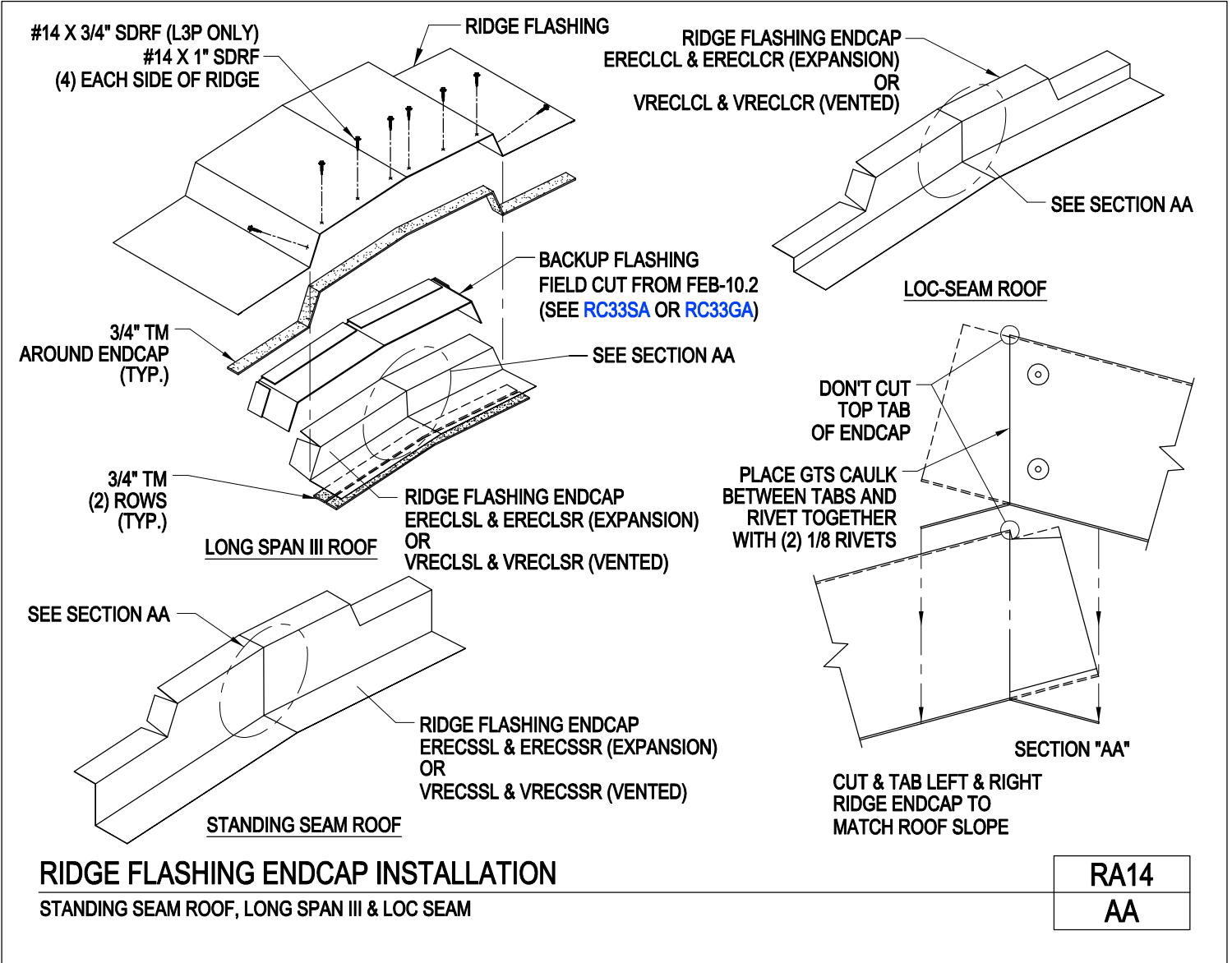
RA14A/AA



[Download the DWG file by clicking here.](#)

[To Section Index](#)

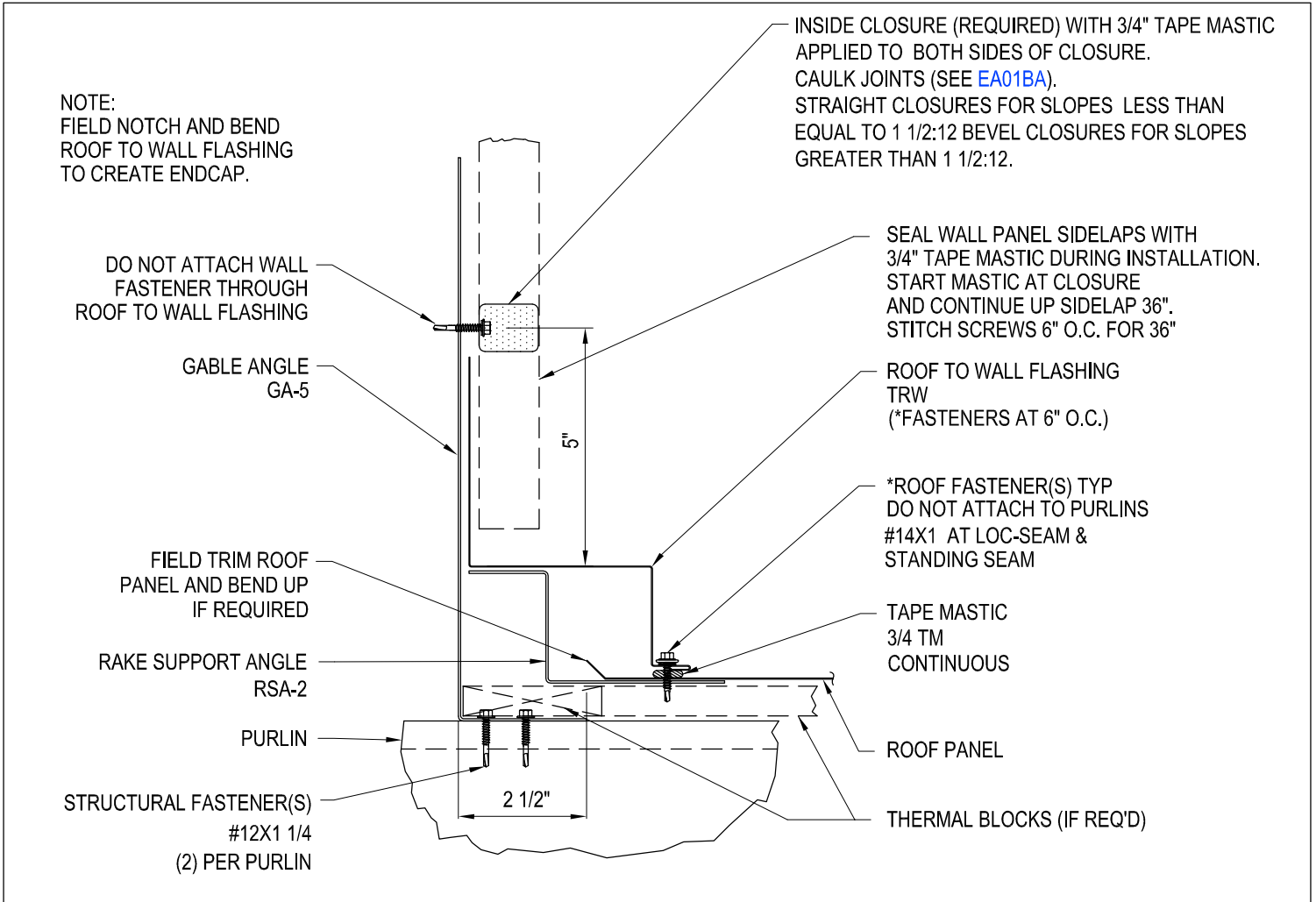
Ridge Flashing Endcap Installation
 Standing Seam, Long Span III & Loc Seam Roofs
 RA14/AA



[Download the DWG file by clicking here.](#)

[To Section Index](#)

Roof to Wall Transition at Gable
 Architectural III, Architectural "V" Rib or Long Span III Walls
 RA30C/AB



ROOF TO WALL TRANSITION AT GABLE

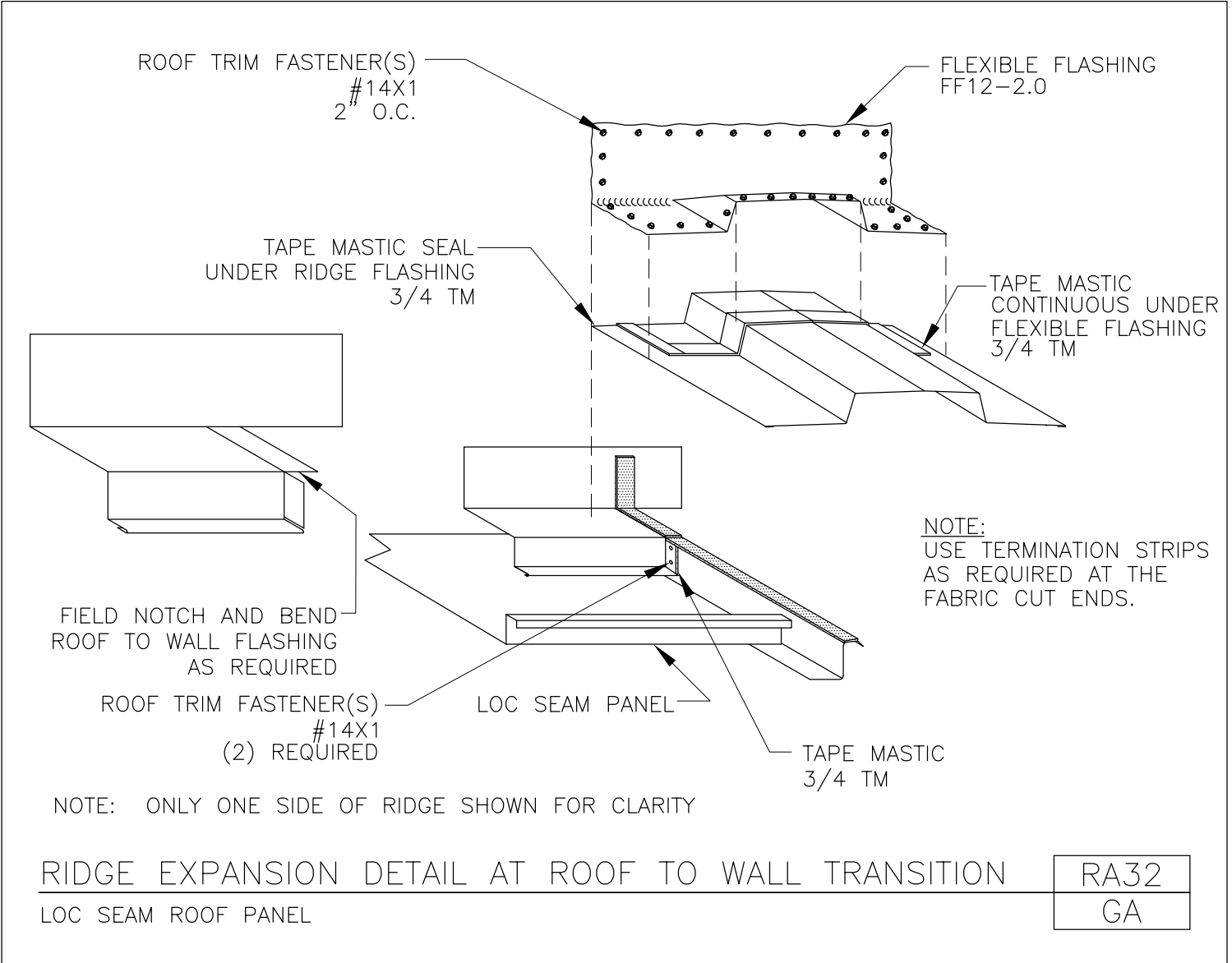
ARCHITECTURAL III, ARCHITECTURAL "V" RIB OR LONG SPAN III WALLS

RA30C
AB

[Download the DWG file by clicking here.](#)

[To Section Index](#)

Ridge Expansion Detail at Roof to Wall Transition
Loc Seam Roof Panel
RA32/GA



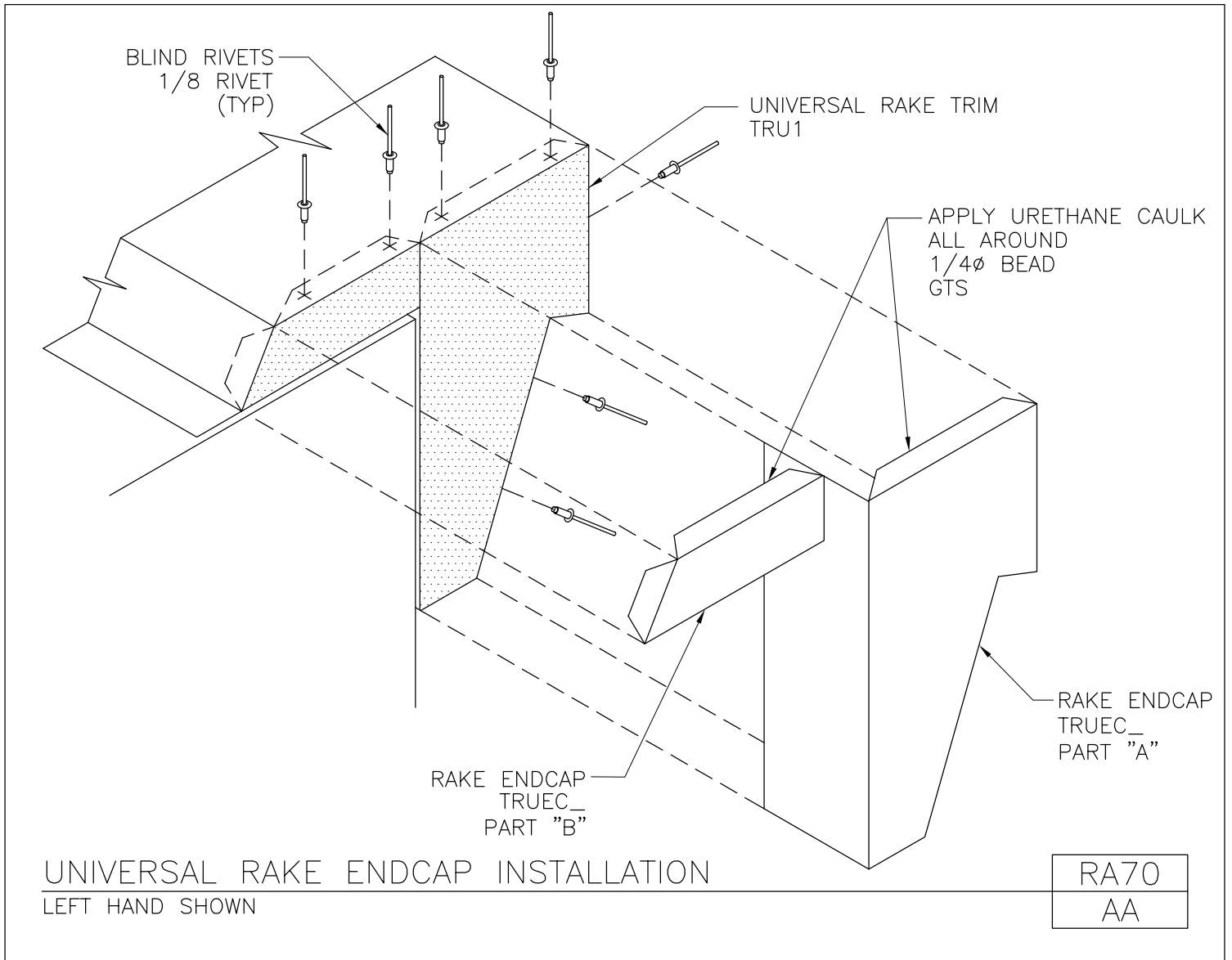
[Download the DWG file by clicking here.](#)

[To Section Index](#)

Universal Rake Endcap Installation

Left Hand Shown

RA70/AA

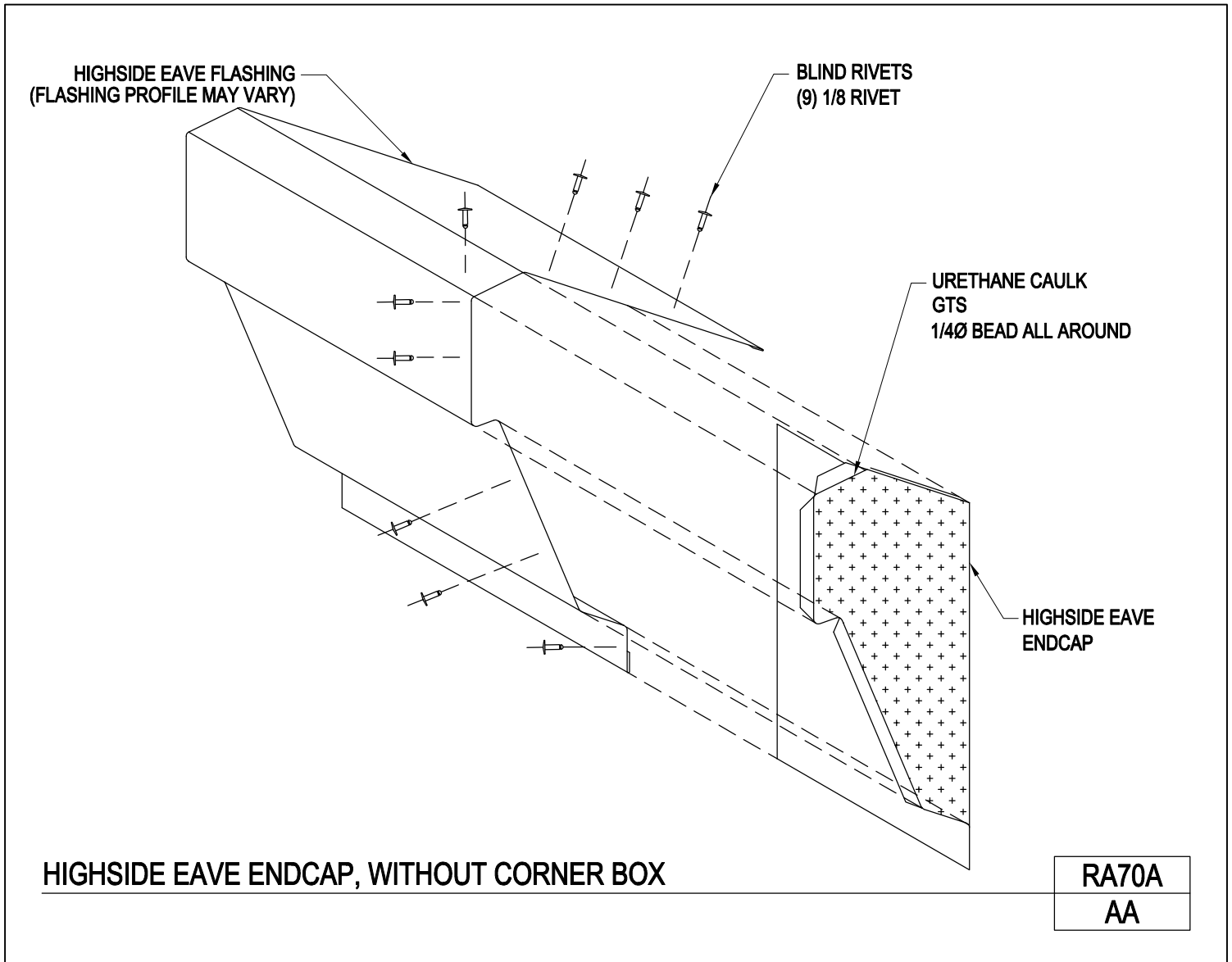


[Download the DWG file by clicking here.](#)

[To Section Index](#)

Highside Eave, Without Corner Box

RA70A/AA



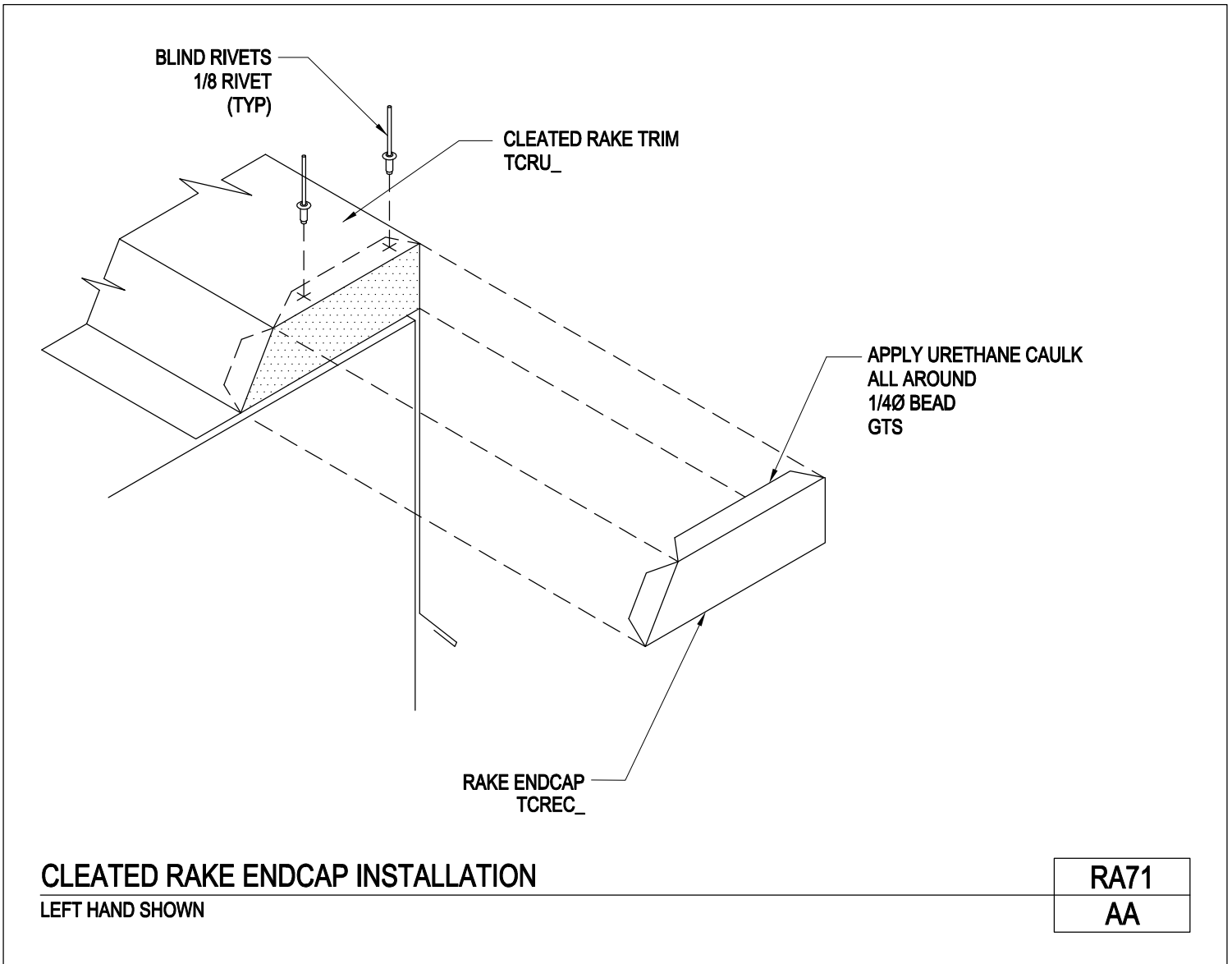
[Download the DWG file by clicking here.](#)

[To Section Index](#)

Cleated Rake Endcap Installation

All Roof Panels

RA71/AA



[Download the DWG file by clicking here.](#)

[To Section Index](#)