

Product Manual - Long Bay Details

[BR17/AA, Frame Brace](#)

[LB01/AA, Key Roof Framing Plan For Long Bays](#)

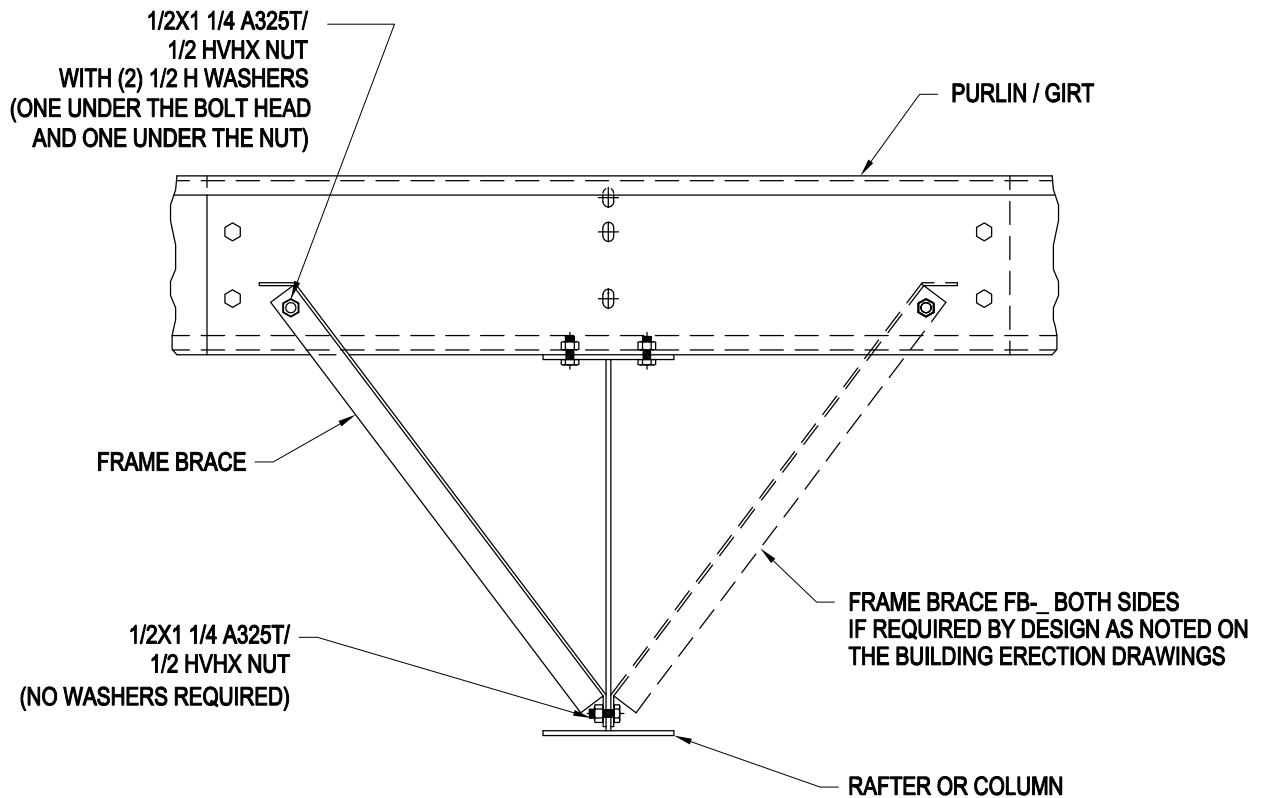
[LB02/AA, Soldier Column Detail For Long Bay Buildings](#)

[LB03/AA, Brace Angle and Rafter Intersection Detail \(Long Bay Buildings\)](#)

[LB05/AA, Detail at Bridging Connection](#)

Frame Brace
For Bypass Purlins/Girts
BR17/AA

**SAFETY PRECAUTION:
WORKERS SHOULD BE TRAINED IN
THE PROPER ERECTION PROCEDURES
FOR ALL JOBS.**



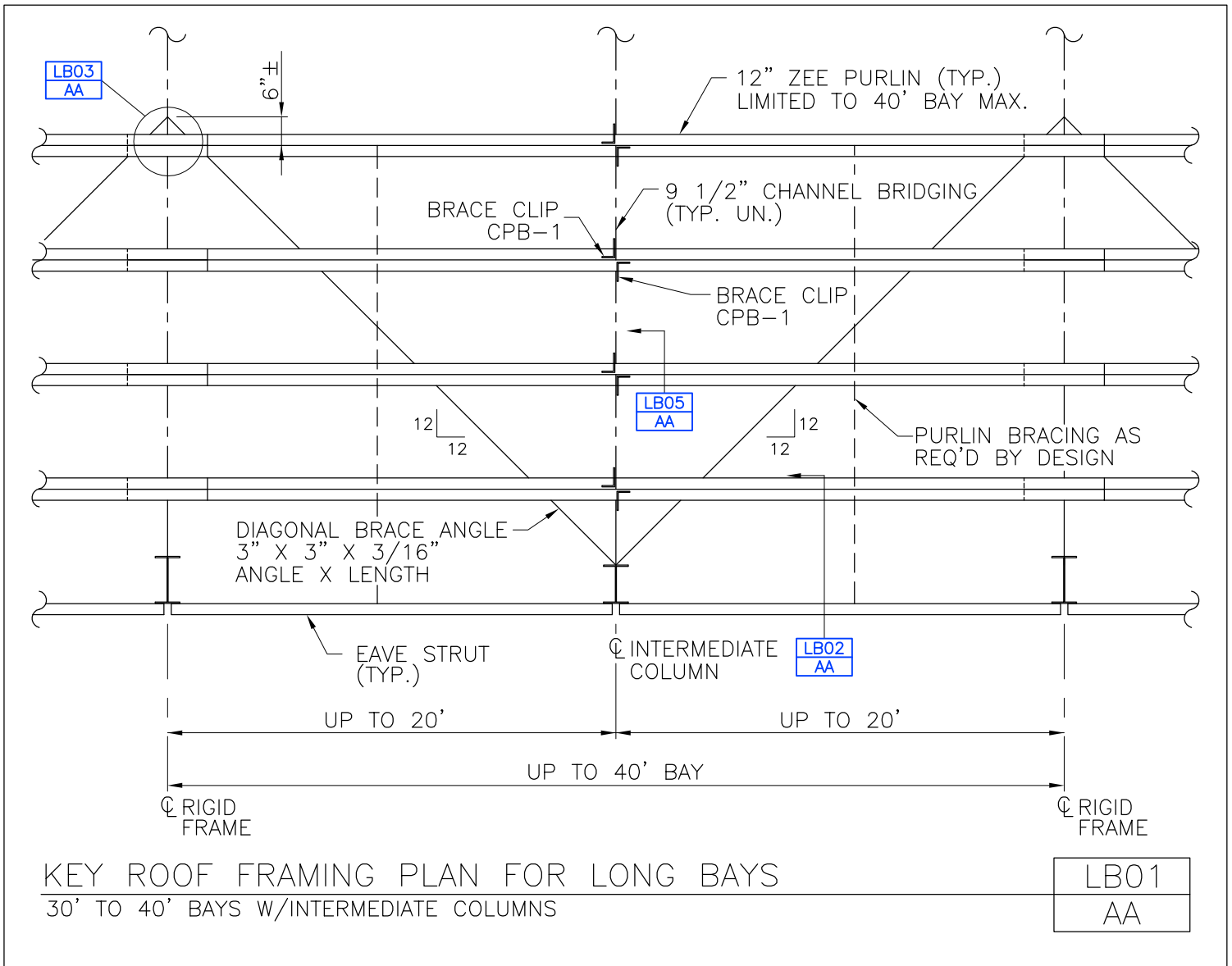
FRAME BRACE
FOR BYPASS PURLINS / GIRTS

BR17
AA

[Download the DWG file by clicking here.](#)

[To Section Index](#)

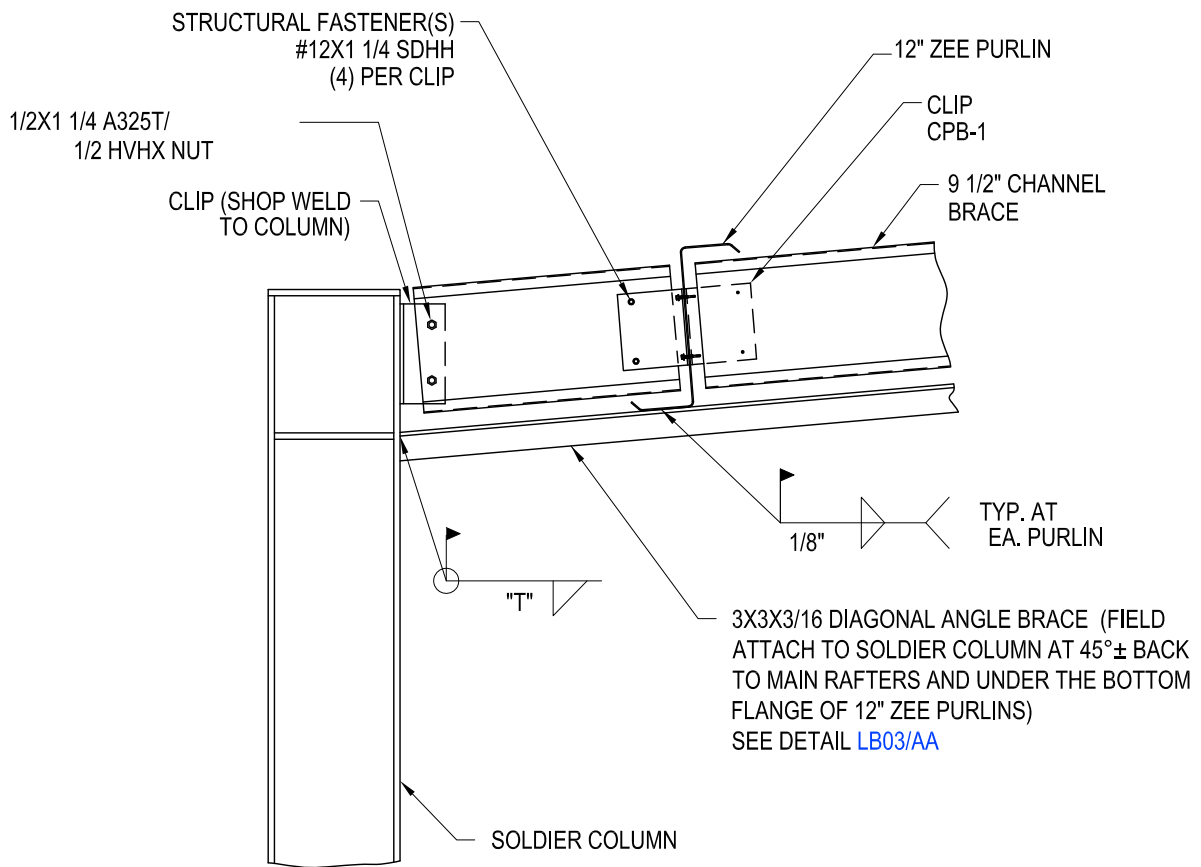
Key Roof Framing Plan For Long Bays
 30' to 40' Bays w/ Intermediate Columns
 LB01/AA



[Download the DWG file by clicking here.](#)

[To Section Index](#)

Soldier Column Detail For Long Bay Buildings
30' to 40' Bays
LB02/AA



NOTE: FIELD WELDING REQUIRED,
SEE DETAIL ENFWA_.

T= LESSER MATERIAL THICKNESS

SOLDIER COLUMN DETAIL FOR LONG BAY BLDGS.

30' TO 40' BAYS

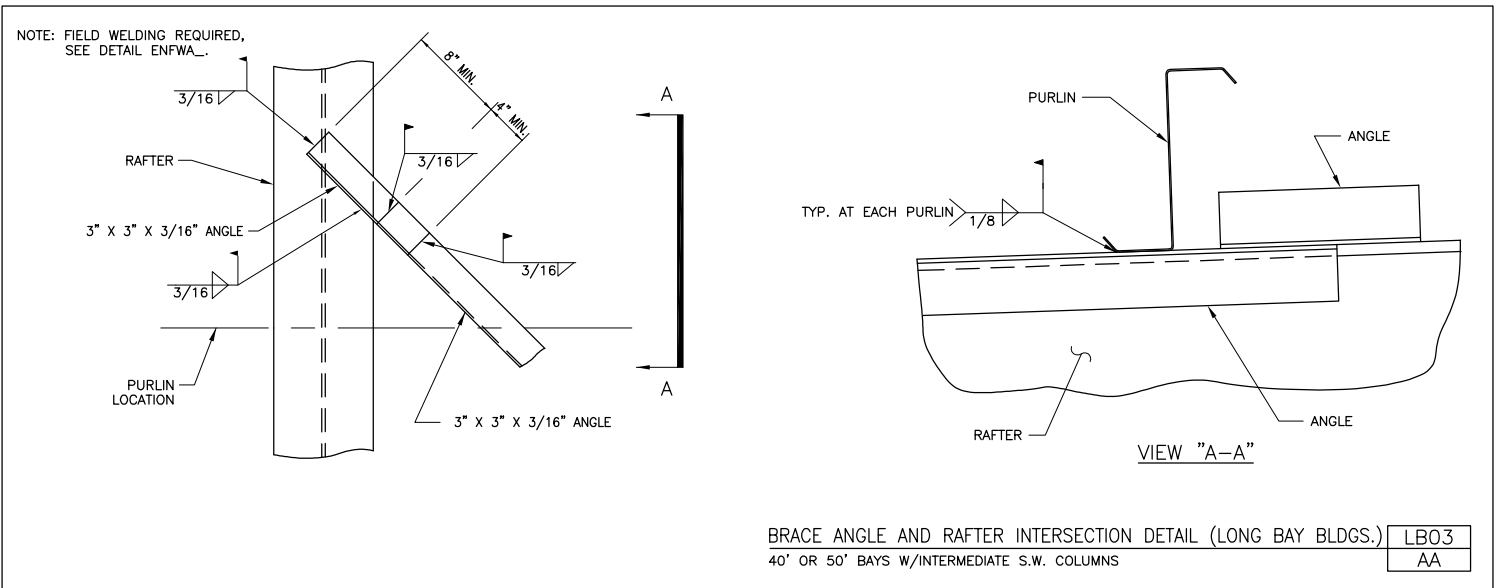
LB02

AA

[Download the DWG file by clicking here.](#)

[To Section Index](#)

Brace Angle and Rafter Intersection Detail (Long Bay Buildings)
40' or 50' Bays w/ Intermediate S.W. Columns
LB03/AA



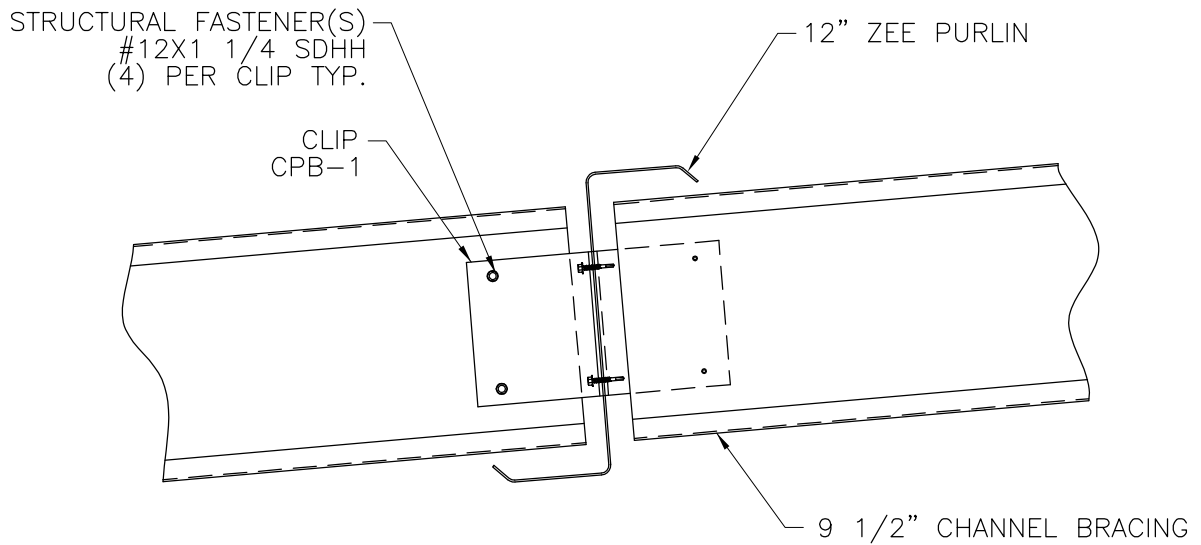
[Download the DWG file by clicking here.](#)

[To Section Index](#)

Detail at Bridging Connection

12" Zee Purlin

LB05/AA



DETAIL AT BRIDGING CONNECTION

12" ZEE PURLIN

LB05

AA

[Download the DWG file by clicking here.](#)

[To Section Index](#)