

# Product Manual - Long Span III Roof Panels - Rake

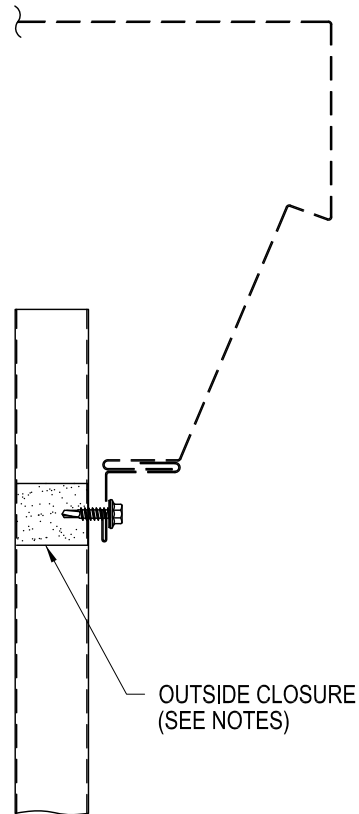
---

RA01/AB, Panel Closure Detail at Rake  
RA01/AD, Panel Closure Detail at Rake (Slopes Less Than 11/2:12)  
RA02A/BO, Rake Detail  
RA02/BA, Rake Detail  
RA02/BD, Rake Detail  
RA02/BO, Rake Detail  
RA02FA/BO, Fixed Rake Detail  
RA02F/BA, Fixed Rake Detail  
RA02F/BD, Fixed Rake Detail  
RA02F/BO, Fixed Rake Detail  
RA03A/BA, Rake Cap Installation  
RA03B/BA, Rake Cap Installation  
RA03/BA, Universal Rake Cap Installation  
RA04A/AA, Corner Cap Box Installation  
RA04A/BA, Highside Corner Box  
RA04W/AA, Corner Cap Box Installation  
RA05/BA, Rake Detail  
RA06/AA, Inside Corner Cap Installation  
RA07A/BA, Cleated Rake/Peak Installation  
RA07/BA, Rake/Peak Installation  
RA14/AA, Ridge Flashing Endcap Installation  
RA14A/AA, Roof to Wall Flashing Endcap Installation  
RA30/BB, Roof to Wall Transition  
RA32/BA, Ridge Expansion Detail at Roof to Wall Transition  
RA62A/BO, Cleated Rake Detail  
RA62/BB, Cleated Rake Detail  
RA62/BD, Cleated Rake Detail  
RA62/BO, Cleated Rake Detail  
RA70/AA, Universal Rake Endcap Installation  
RA70A/AA, Highside Eave Endcap, Without Corner Box  
RA71/AA, Cleated Rake Endcap Installation

Panel Closure Detail at Rake  
 Architectural III, Architectural "V" Rib or Long Span III Walls  
 RA01/AB

NOTES:

1. OUTSIDE CLOSURE, AOLI/AVKO/AVNO/LOAI  
 REQUIRED IF ORDERED FOR BUILDING SLOPES  
 1 1/2 : 12 OR LESS
  
2. BEVEL CLOSURE  
 REQUIRED IF ORDERED FOR BUILDING SLOPES  
 GREATER THAN 1 1/2 : 12



## PANEL CLOSURE DETAIL AT RAKE

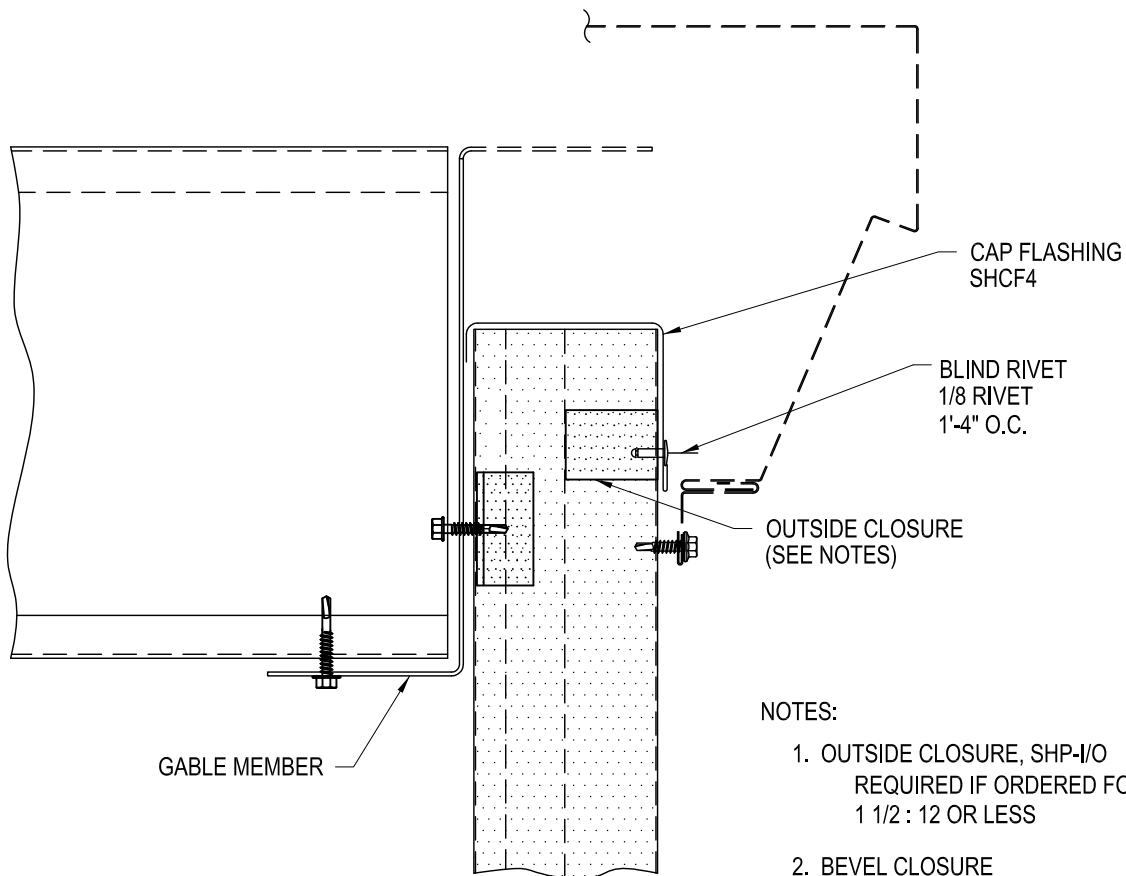
ARCHITECTURAL III, ARCHITECTURAL "V" RIB OR LONG SPAN III WALLS

|      |
|------|
| RA01 |
| AB   |

[Download the DWG file by clicking here.](#)

[To Section Index](#)

Panel Closure Detail at Rake (Slopes Less Than 1 1/2:12)  
Shadow Panel Walls  
RA01/AD



NOTES:

1. OUTSIDE CLOSURE, SHP-I/O  
REQUIRED IF ORDERED FOR BUILDING SLOPES  
1 1/2 : 12 OR LESS
2. BEVEL CLOSURE  
REQUIRED IF ORDERED FOR BUILDING SLOPES  
GREATER THAN 1 1/2 : 12

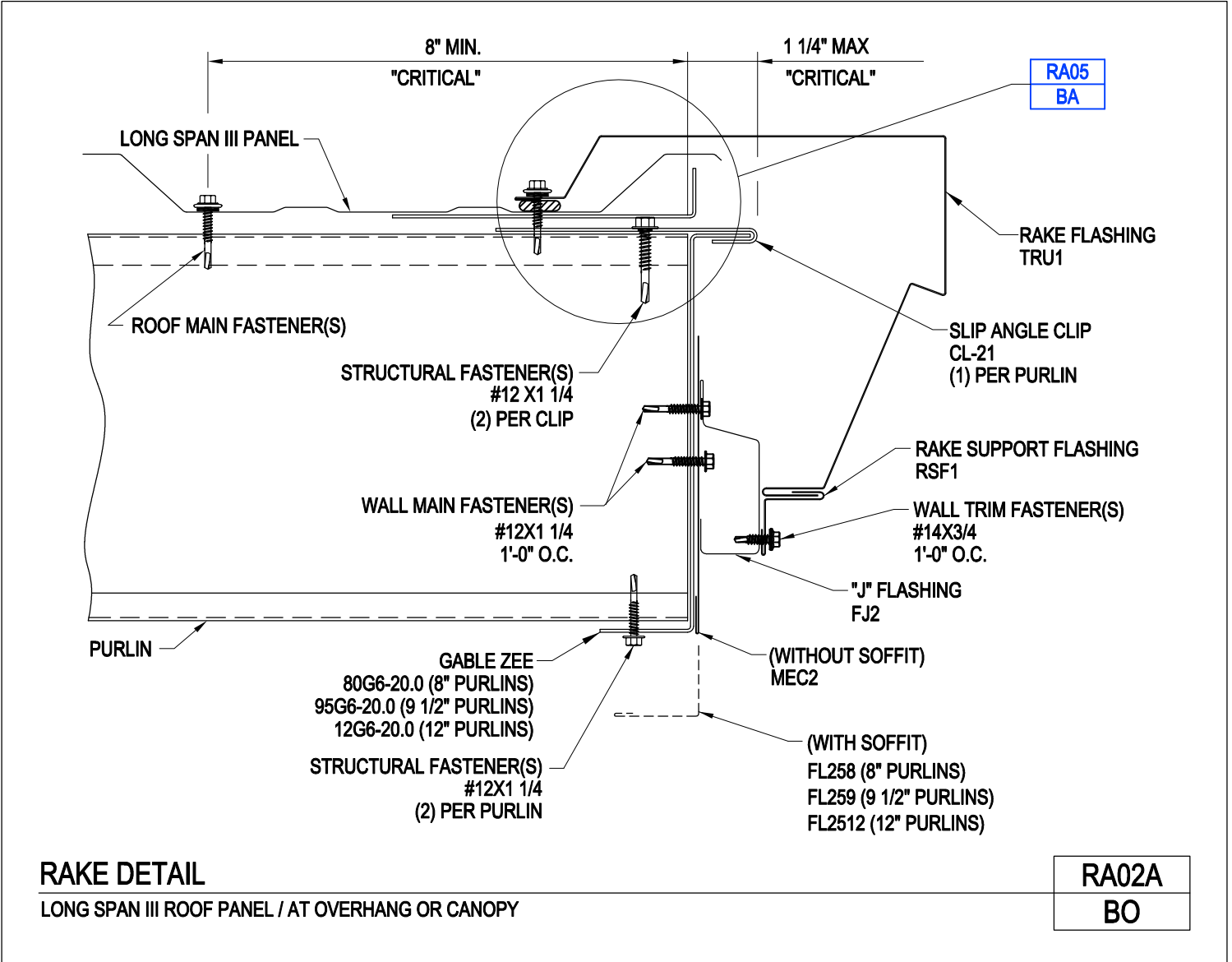
**PANEL CLOSURE DETAIL AT RAKE**  
SHADOW PANEL WALLS

|      |
|------|
| RA01 |
| AD   |

[Download the DWG file by clicking here.](#)

[To Section Index](#)

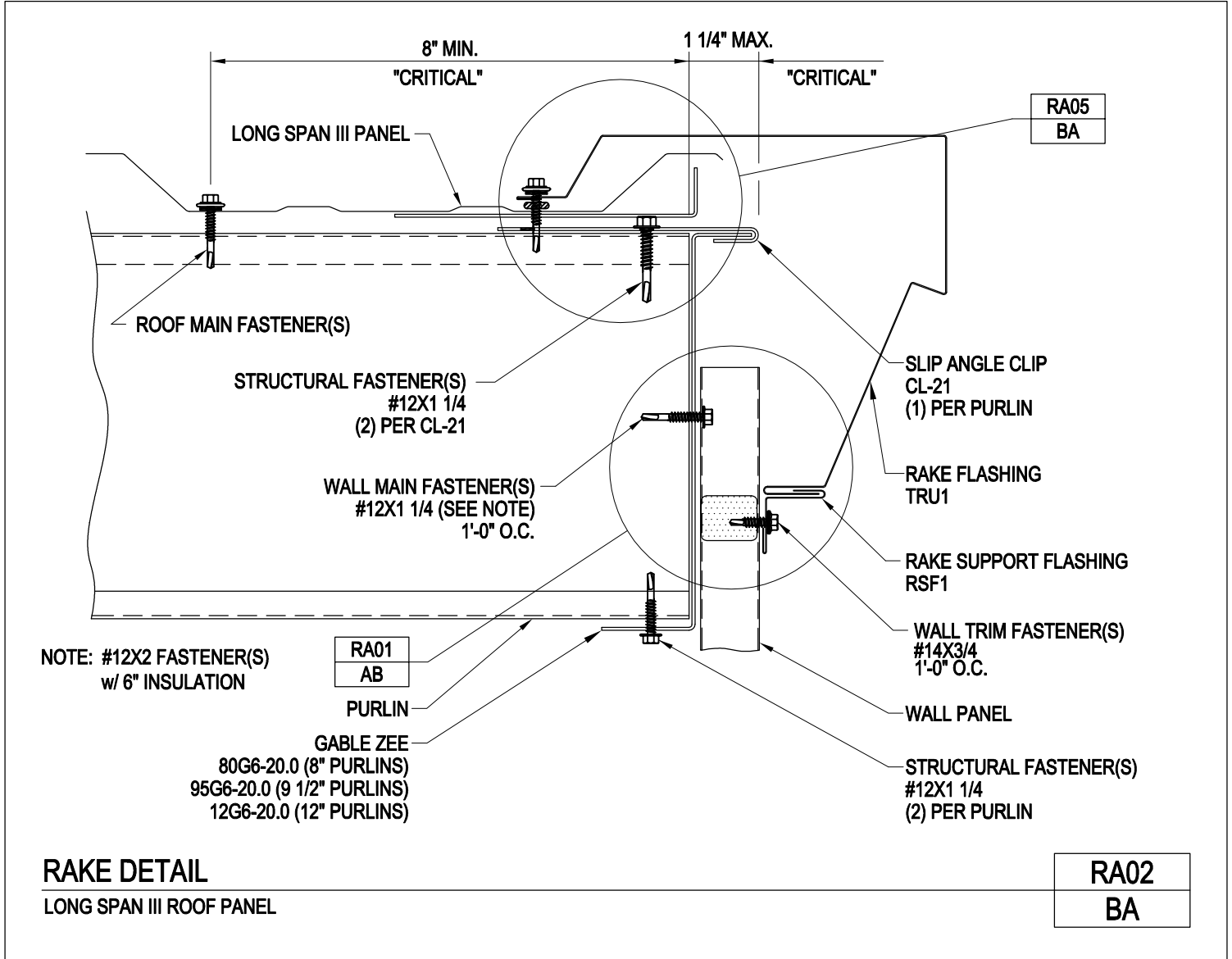
Rake Detail  
 Long Span III Roof / At Overhang or Canopy  
 RA02A/BO



[Download the DWG file by clicking here.](#)

[To Section Index](#)

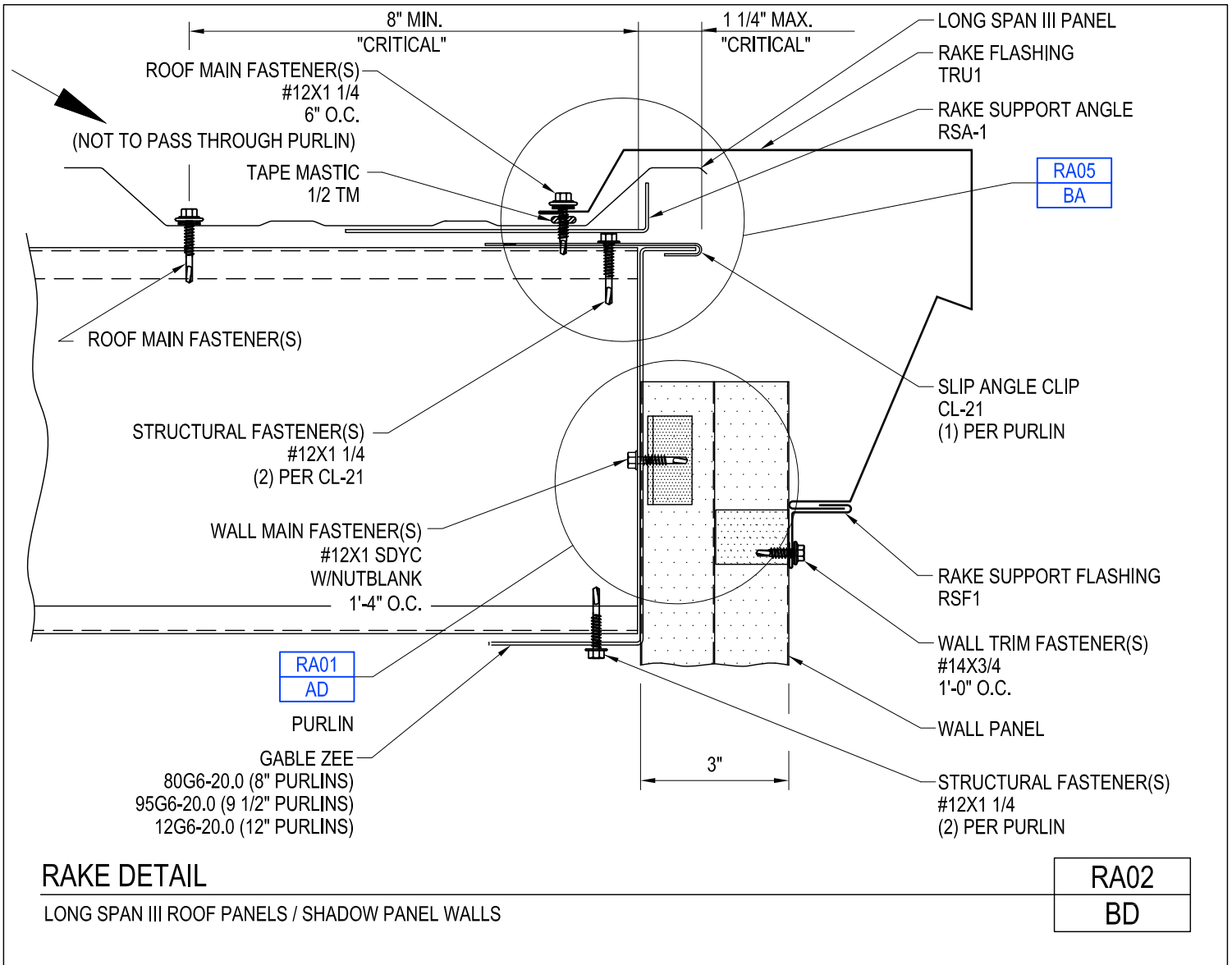
Rake Detail  
Long Span III Roof  
RA02/BA



[Download the DWG file by clicking here.](#)

[To Section Index](#)

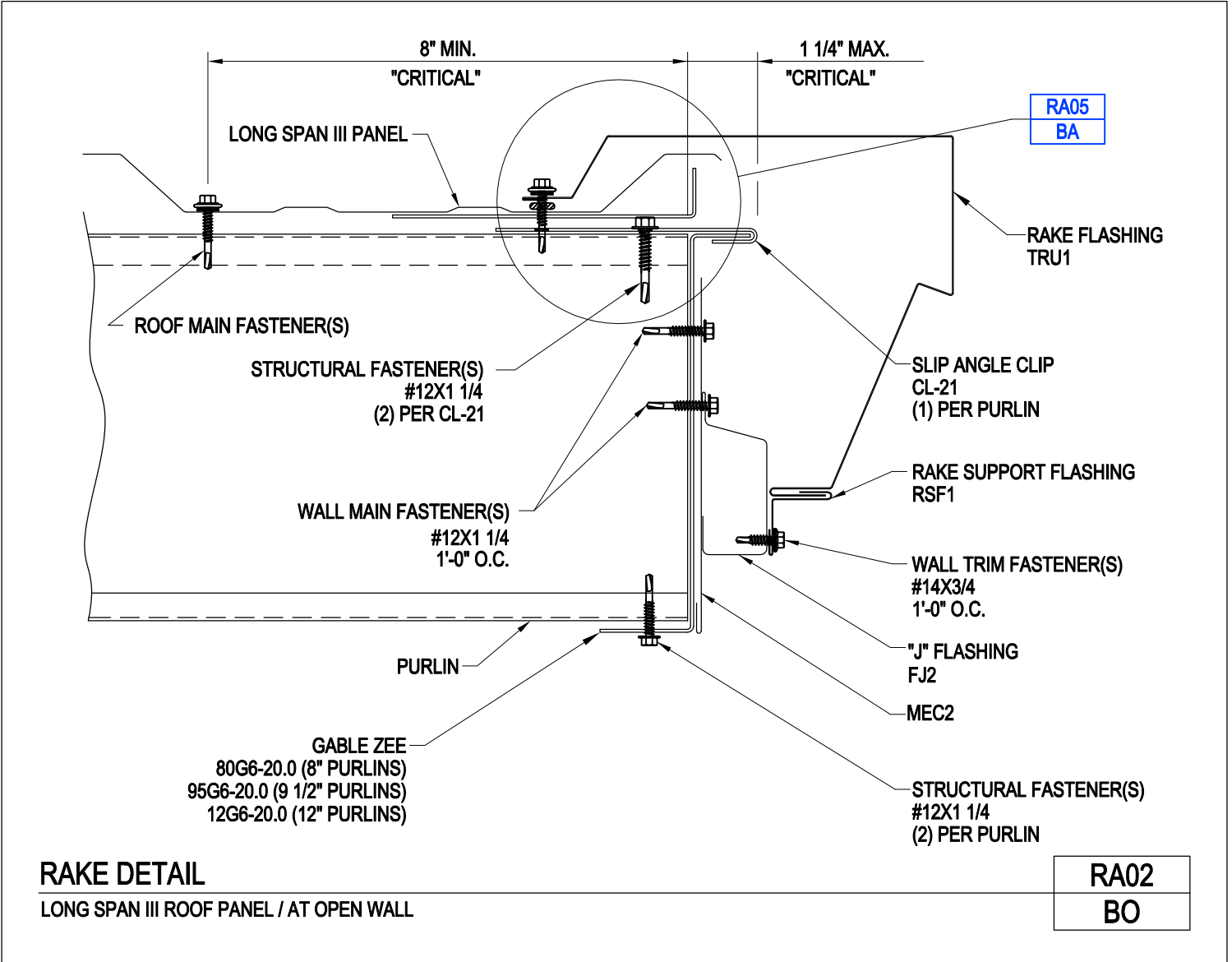
Rake Detail  
Long Span III Roof / Shadow Panel Walls  
RA02/BD



[Download the DWG file by clicking here.](#)

[To Section Index](#)

Rake Detail  
 Long Span III Roof / At Open Wall  
 RA02/BO



[Download the DWG file by clicking here.](#)

[To Section Index](#)



# AMERICAN BUILDINGS

A NUCOR COMPANY

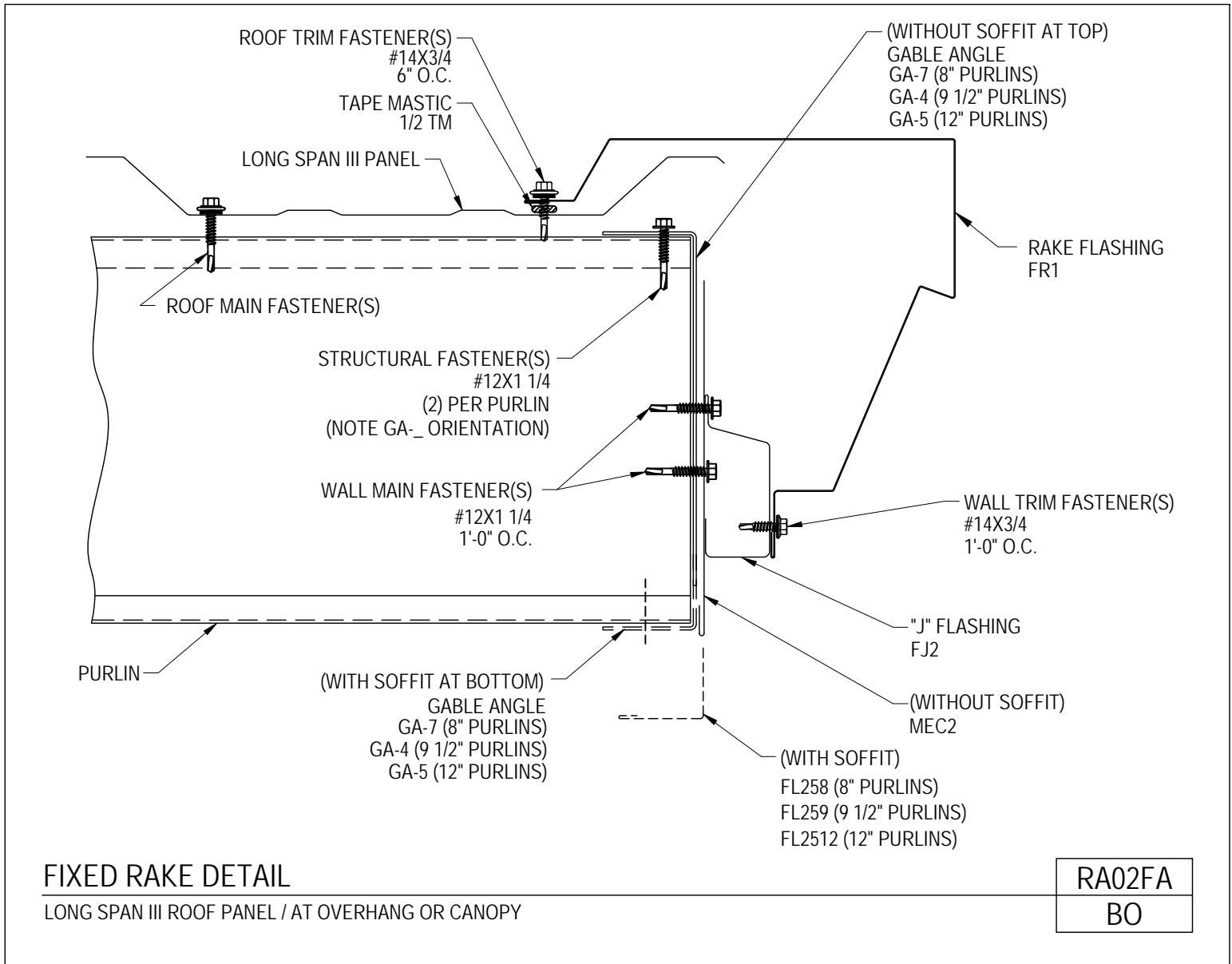
# PRODUCT MANUAL

LONG SPAN III ROOF PANELS

## Fixed Rake Detail

Long Span III Roof / At Overhang or Canopy

RA02FA/BO

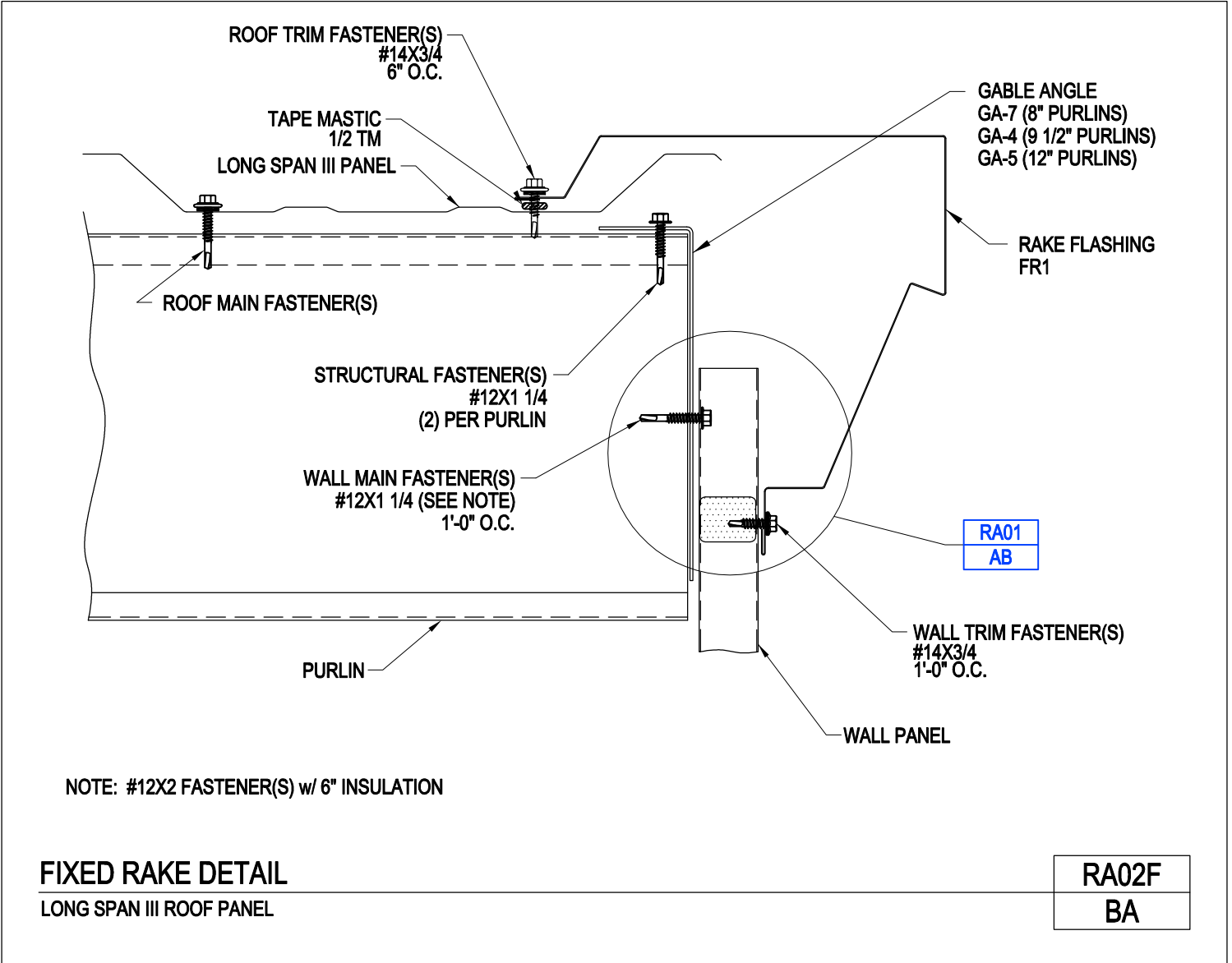


[Download the DWG file by clicking here.](#)

[To Section Index](#)



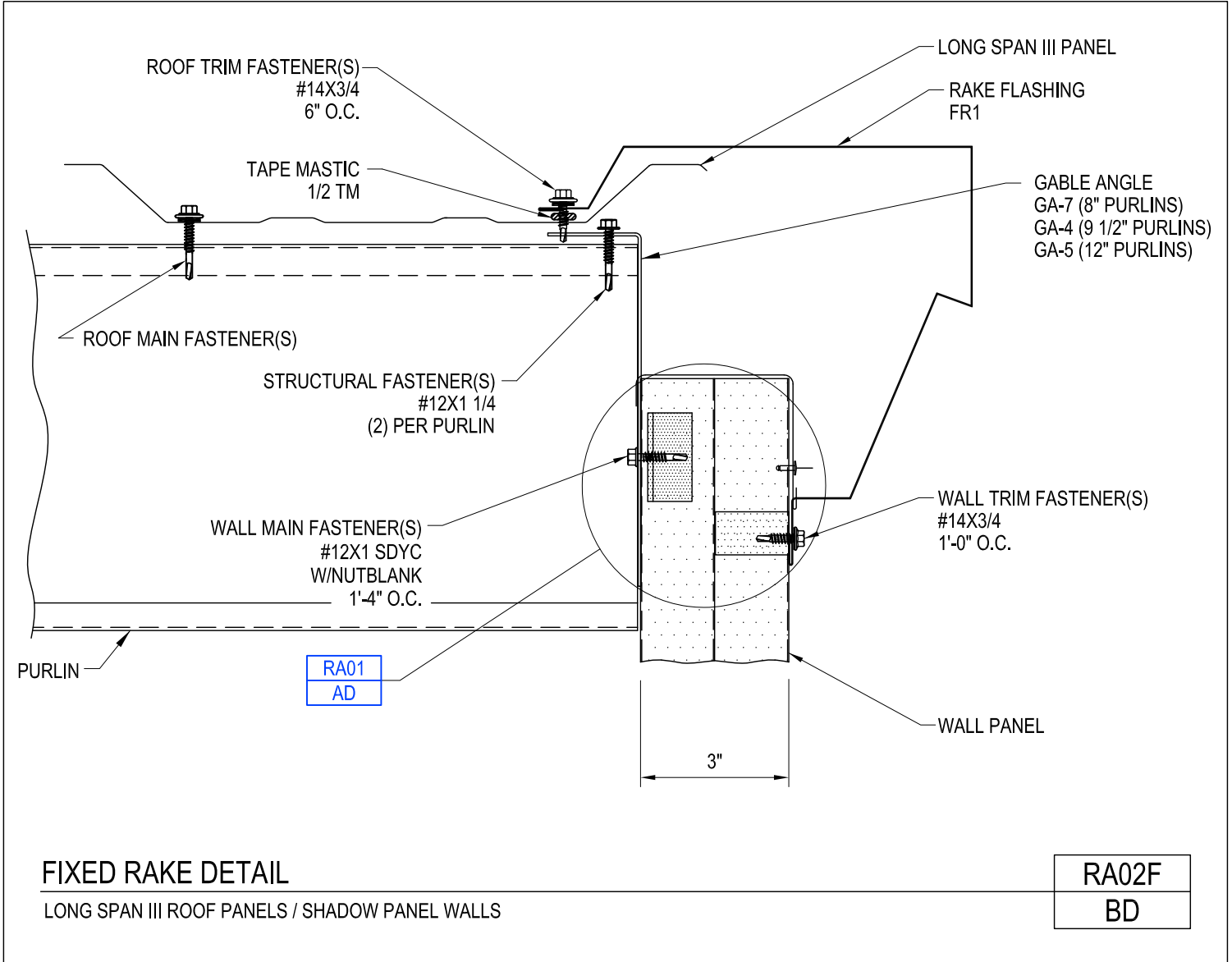
Fixed Rake Detail  
 Long Span III Roof  
 RA02F/BA



[Download the DWG file by clicking here.](#)

[To Section Index](#)

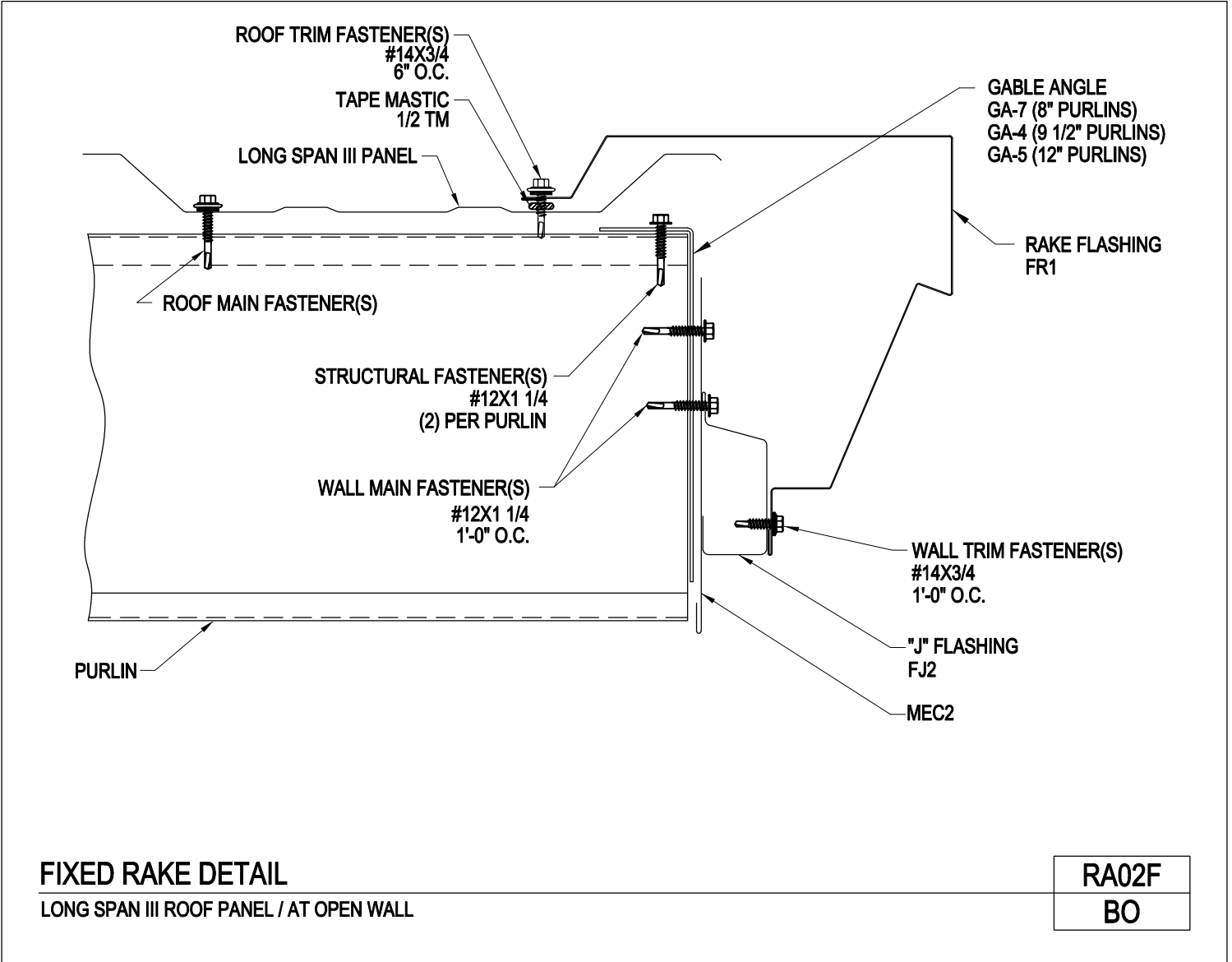
Fixed Rake Detail  
Long Span III Roof / Shadow Panel Walls  
RA02F/BD



[Download the DWG file by clicking here.](#)

[To Section Index](#)

Fixed Rake Detail  
 Long Span III Roof / At Open Wall  
 RA02F/BO



[Download the DWG file by clicking here.](#)

[To Section Index](#)



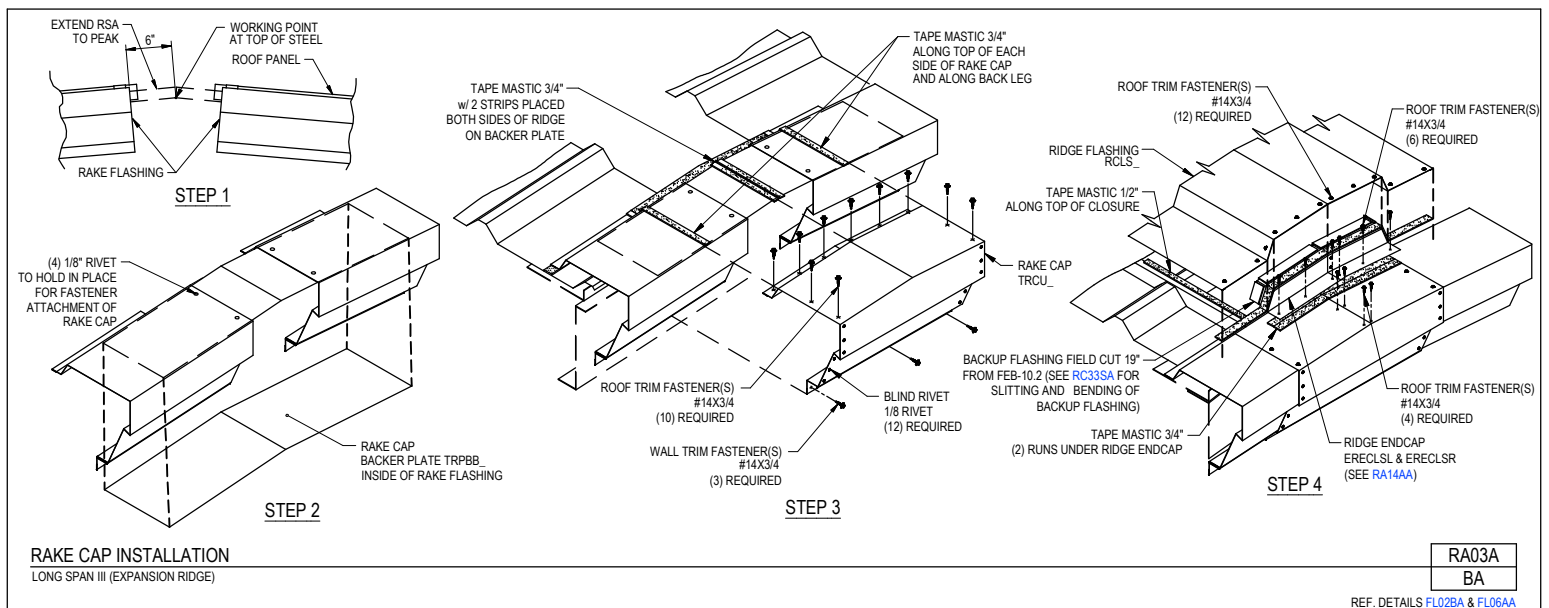
# AMERICAN BUILDINGS

A NUCOR COMPANY

# PRODUCT MANUAL

## LONG SPAN III ROOF PANELS

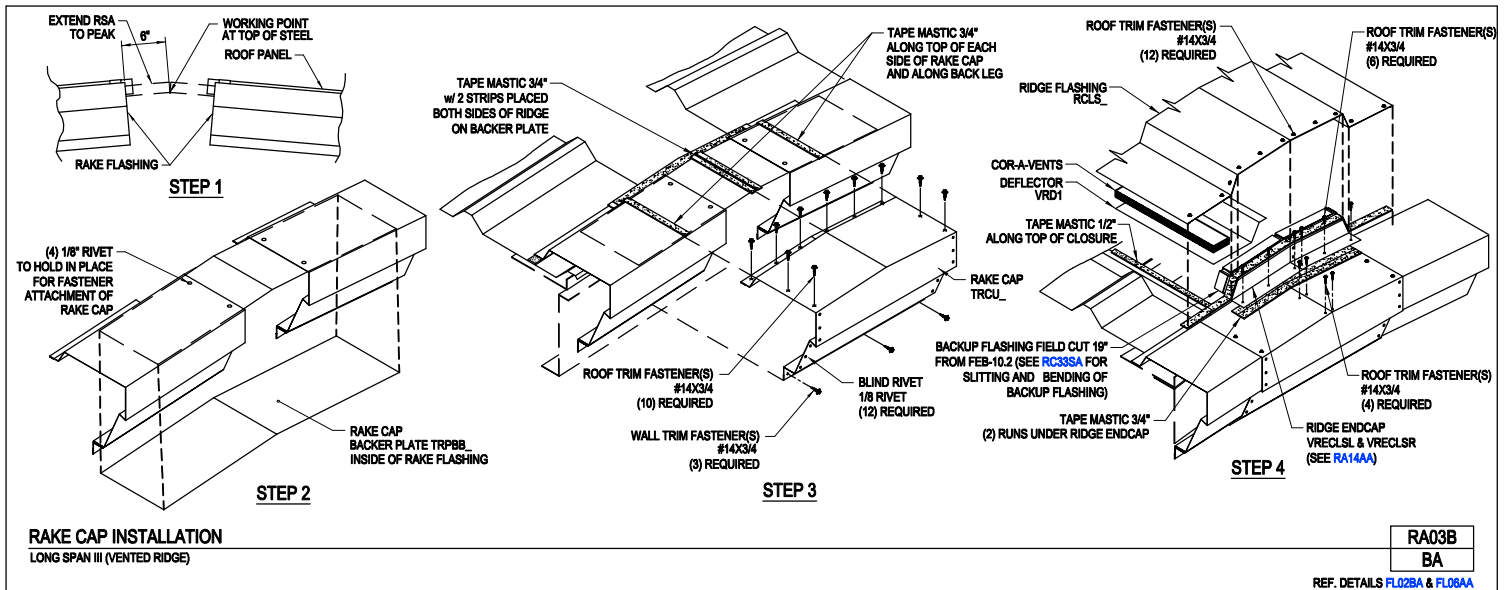
### Rake Cap Installation Long Span III (Expansion Ridge) RA03A/BA



[Download the DWG file by clicking here.](#)

[To Section Index](#)

Rake Cap Installation  
Long Span III (Vented Ridge)  
RA03B/BA



[Download the DWG file by clicking here.](#)

[To Section Index](#)



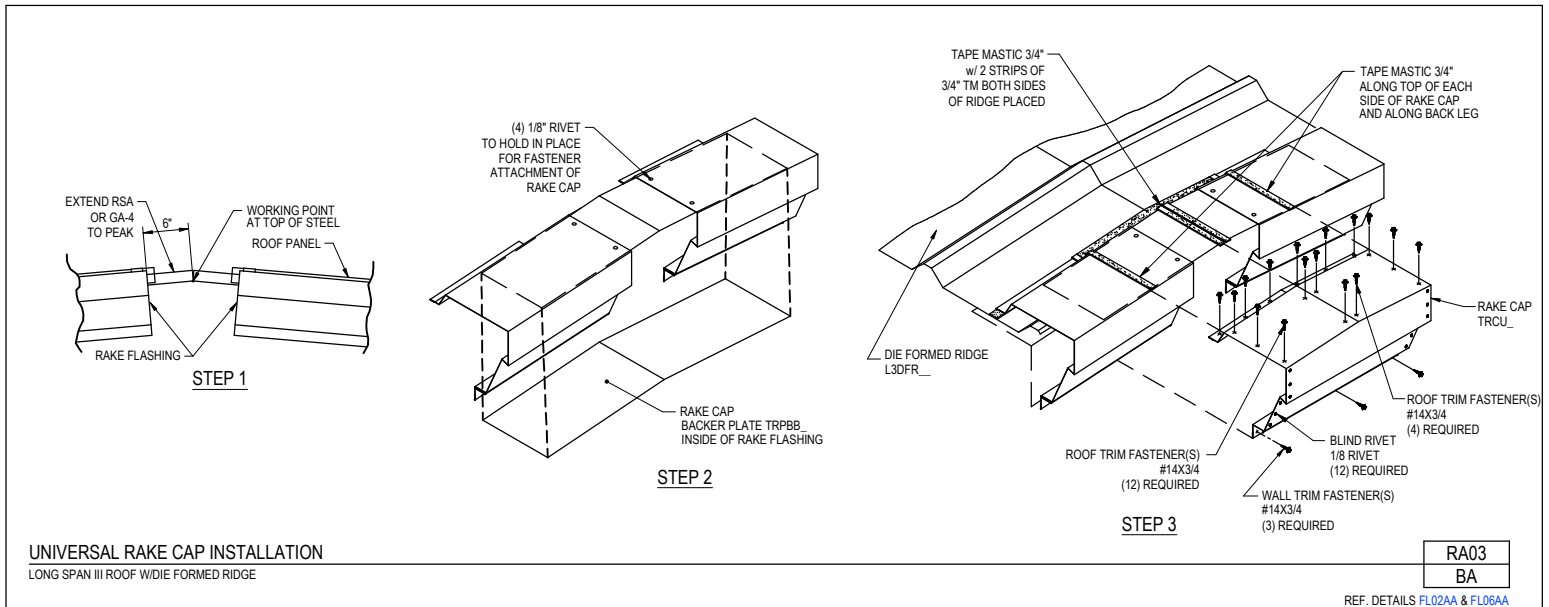
# AMERICAN BUILDINGS

A NUCOR COMPANY

# PRODUCT MANUAL

LONG SPAN III ROOF PANELS

## Universal Rake Cap Installation Long Span III Roof w/ Die Formed Ridge RA03/BA

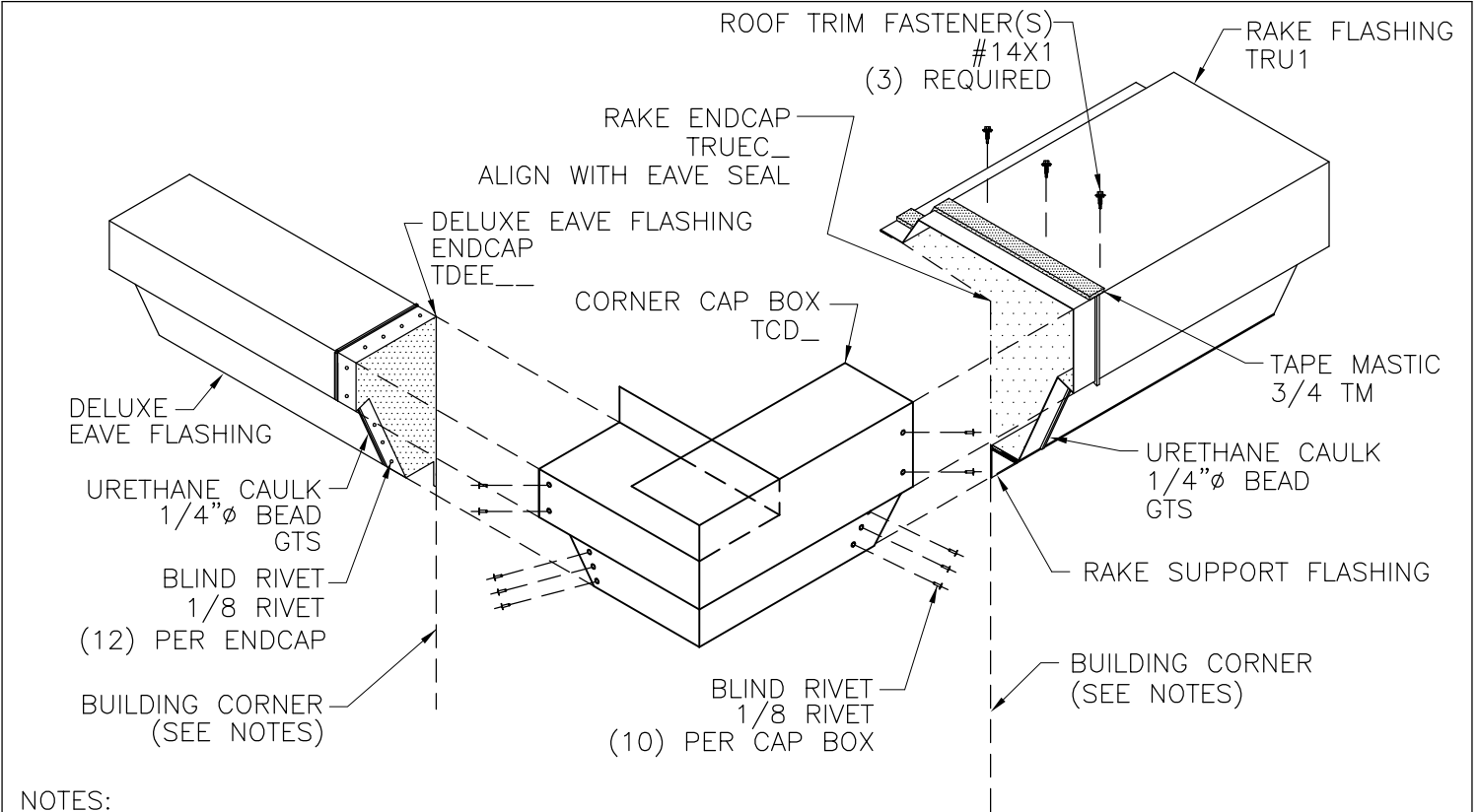


[Download the DWG file by clicking here.](#)

[To Section Index](#)

Revised: 2/7/2020

Corner Cap Box Installation  
 Typical All Roof Panels  
 RA04A/AA



NOTES:

1. START AND STOP DELUXE EAVE AND RAKE FLASHING AT BUILDING CORNERS AND ALIGN WITH OUTSIDE EDGE OF WALL PANEL AT CORNERS.
2. THE FIRST 10 FEET OF THE RAKE FROM THE CORNER SHOULD BE TEMPORARILY ATTACHED TO ALLOW ADJUSTMENT WHEN INSTALLING THE CORNER BOXES. PERMANENTLY ATTACH THE RAKE AFTER CORNER BOXES ARE INSTALLED.

**SAFETY PRECAUTION:**  
 WORKERS SHOULD ALWAYS WEAR GLOVES WHEN HANDLING METAL SURFACES WITH SHARP EDGES.

**CORNER CAP BOX INSTALLATION**

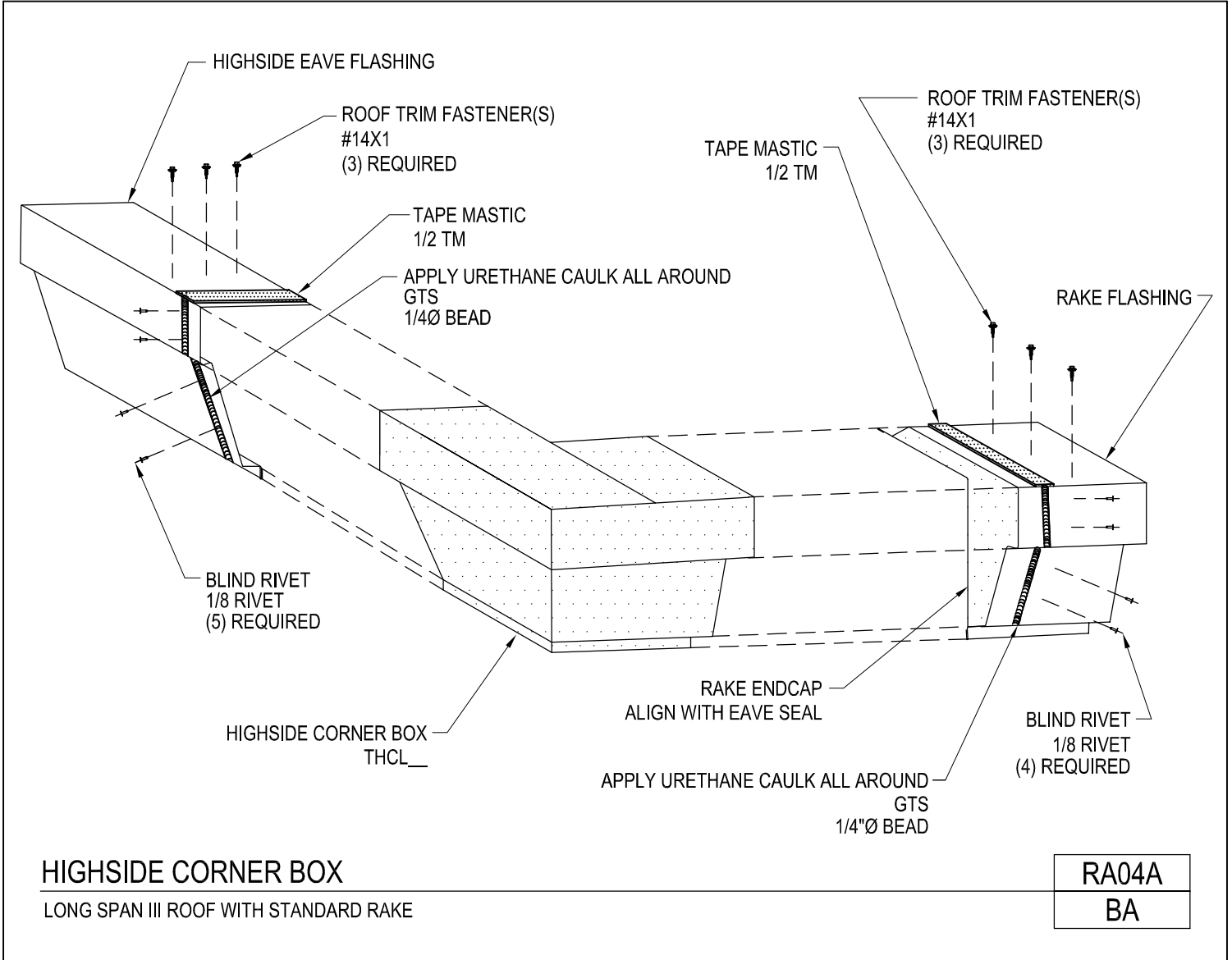
TYPICAL, ALL ROOF PANELS

|       |
|-------|
| RA04A |
| AA    |

[Download the DWG file by clicking here.](#)

[To Section Index](#)

Highside Corner Box  
 Long Span III Roof w/ Standard Rake  
 RA04A/BA

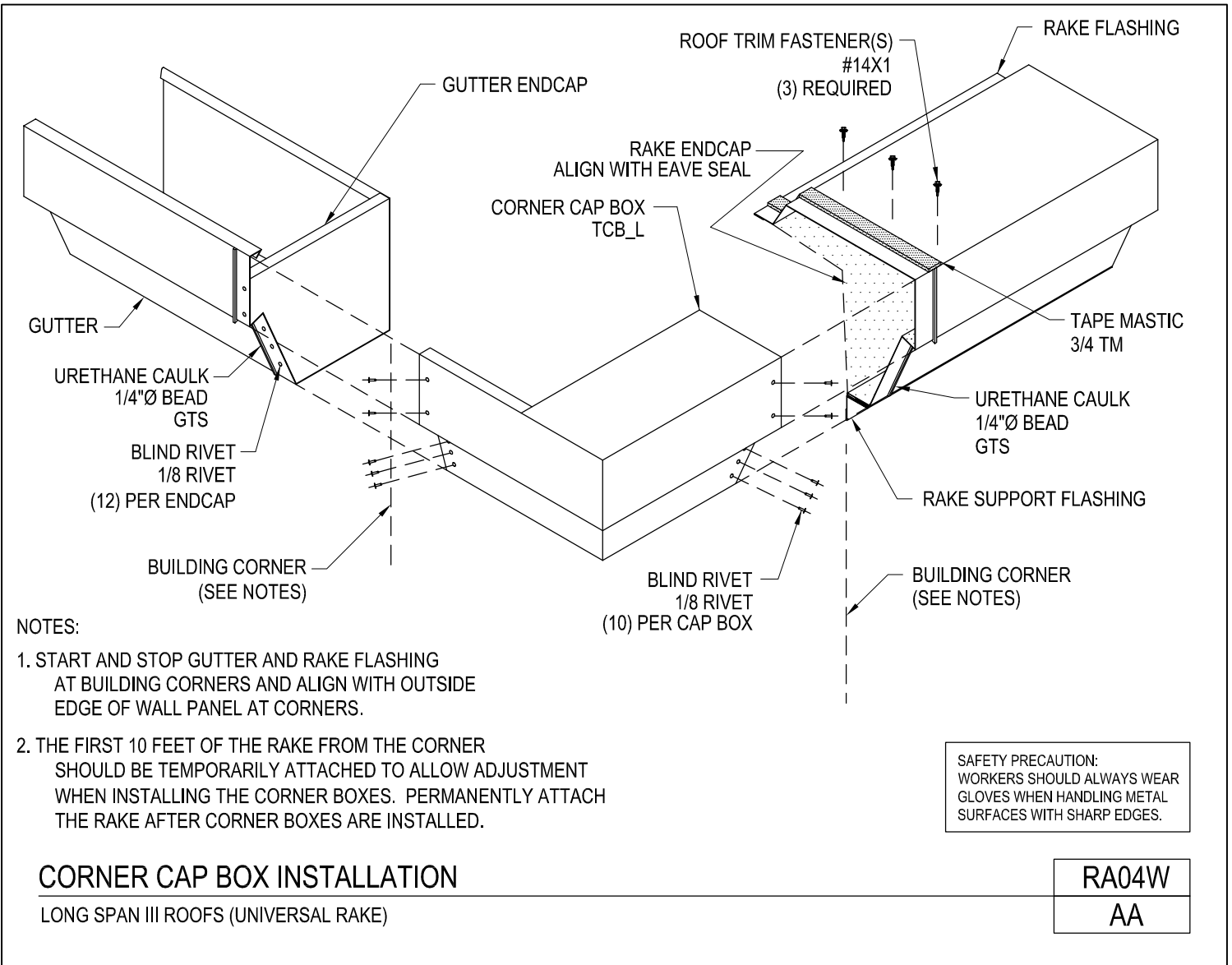


[Download the DWG file by clicking here.](#)

[To Section Index](#)



Corner Cap Box Installation  
Long Span III Roof (Universal Rake)  
RA04W/AA



## CORNER CAP BOX INSTALLATION

LONG SPAN III ROOFS (UNIVERSAL RAKE)

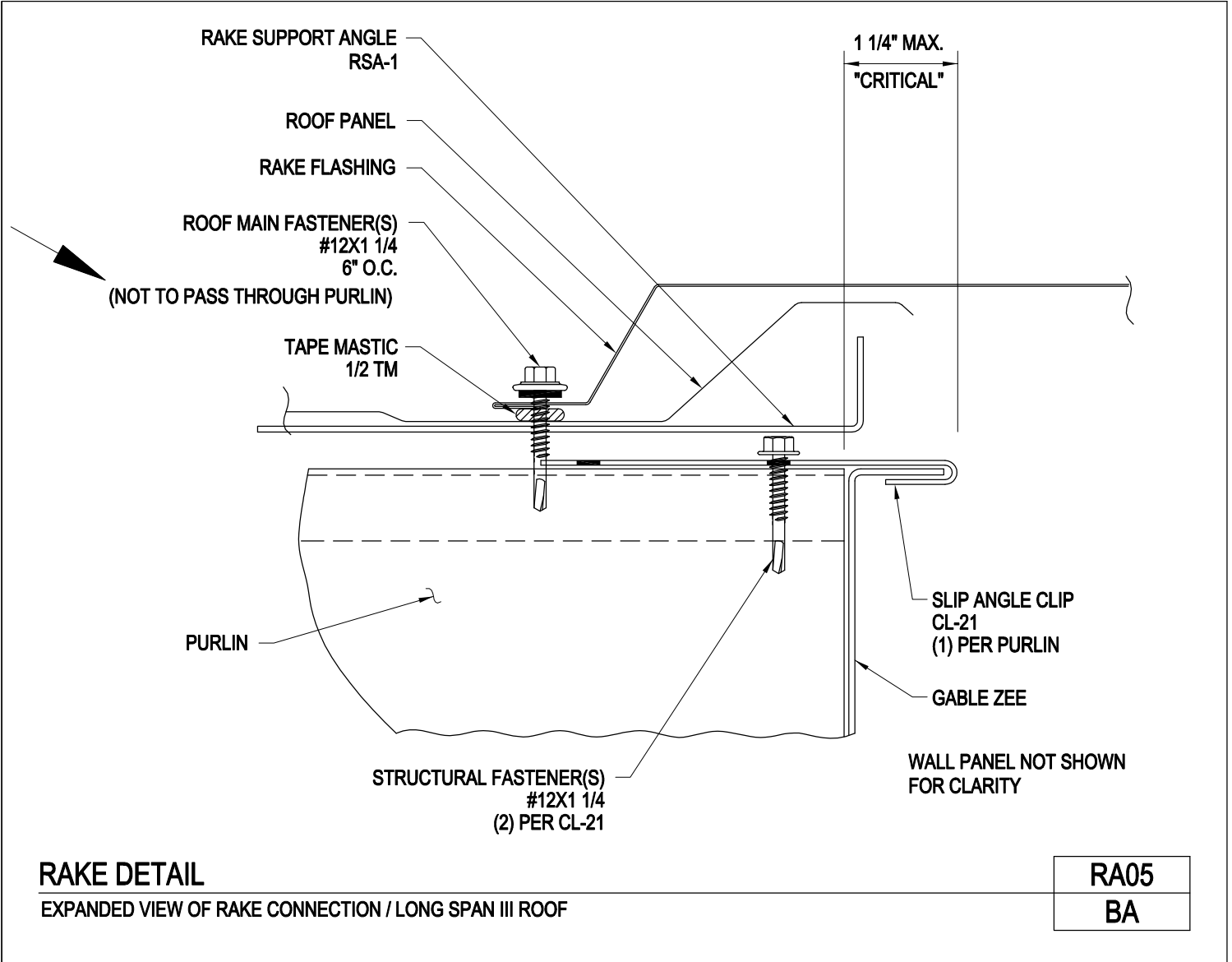
RA04W

AA

[Download the DWG file by clicking here.](#)

[To Section Index](#)

Rake Detail  
Expanded View of Rake Connection / Long Span III Roof  
RA05/BA

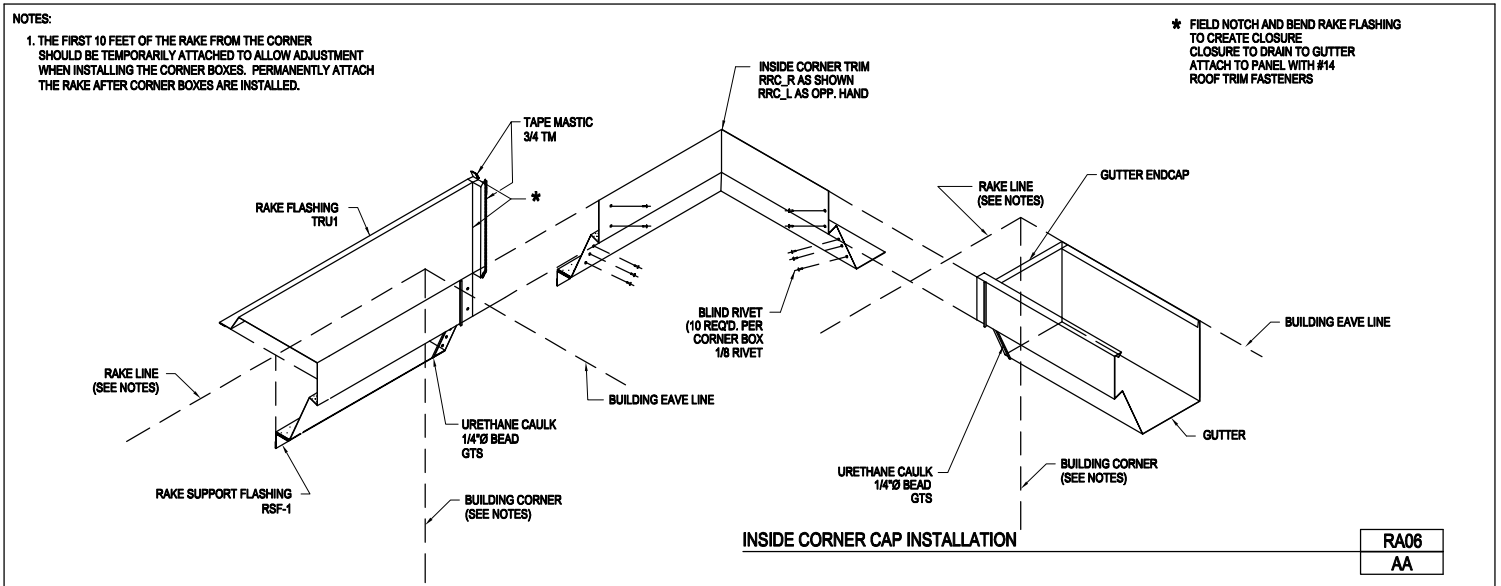


[Download the DWG file by clicking here.](#)

[To Section Index](#)

## Inside Corner Cap Installation

RA06/AA



[Download the DWG file by clicking here.](#)

[To Section Index](#)



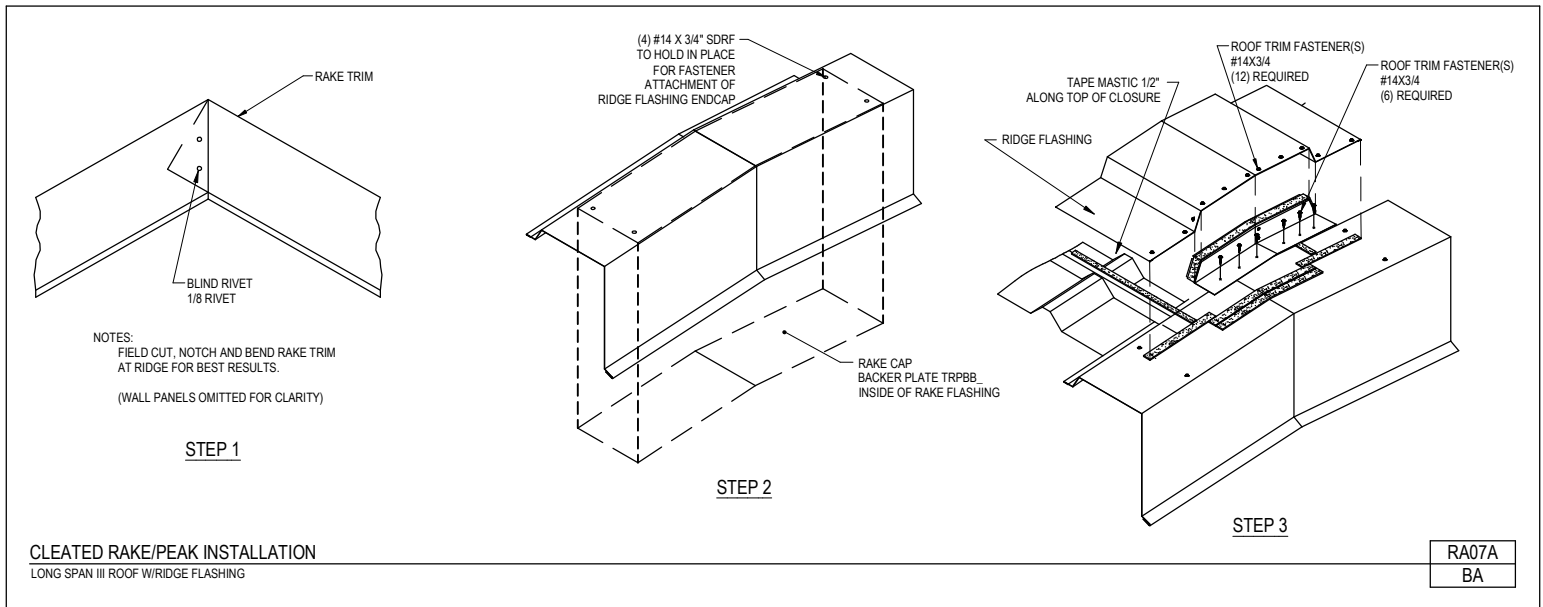
# AMERICAN BUILDINGS

A **NUCOR** COMPANY

# PRODUCT MANUAL

## LONG SPAN III ROOF PANELS

### Cleated Rake/Peak Installation Long Span III w/Ridge Flashing RA07A/BA



[Download the DWG file by clicking here.](#)

[To Section Index](#)

Revised: 9/8/20



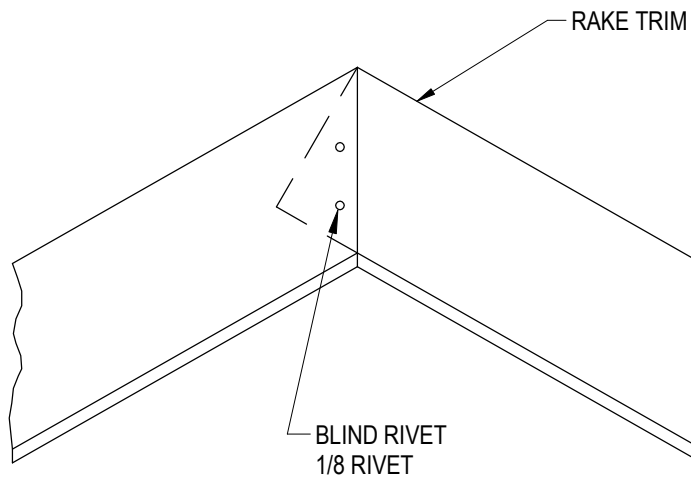
**AMERICAN  
BUILDINGS**

A **NUCOR** COMPANY

# PRODUCT MANUAL

LONG SPAN III ROOF PANELS

Rake/Peak Installation  
Long Span III Roof w/Die Formed Ridge  
RA07/BA



NOTES:  
FIELD CUT, NOTCH AND BEND RAKE TRIM  
AT RIDGE FOR BEST RESULTS.  
  
(WALL PANELS OMITTED FOR CLARITY)

**RAKE/PEAK INSTALLATION**

LONG SPAN III ROOF W/DIE FORMED RIDGE

RA07

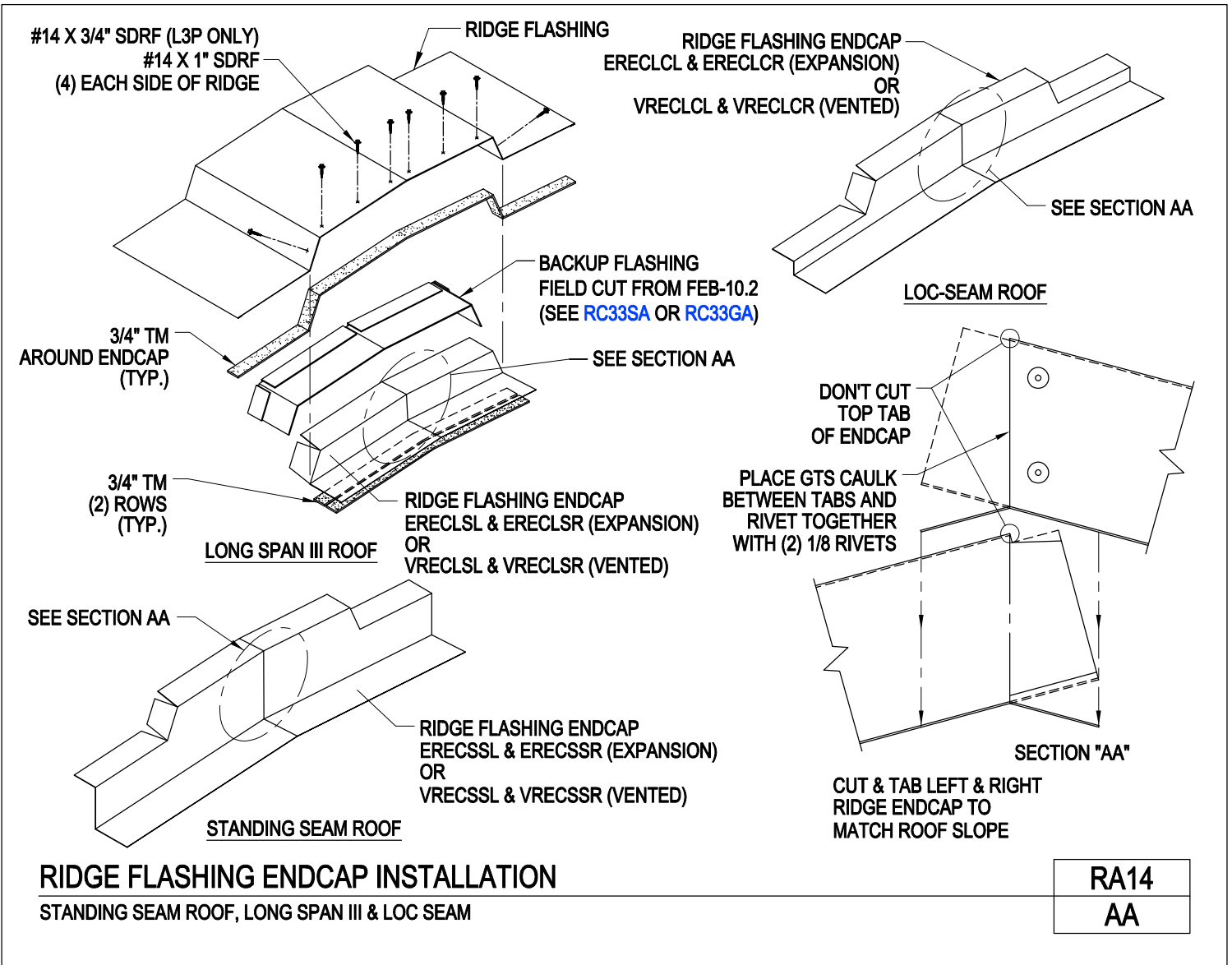
BA

[Download the DWG file by clicking here.](#)

[To Section Index](#)

Revised: 9/8/20

Ridge Flashing Endcap Installation  
 Standing Seam, Long Span III & Loc Seam Roofs  
 RA14/AA



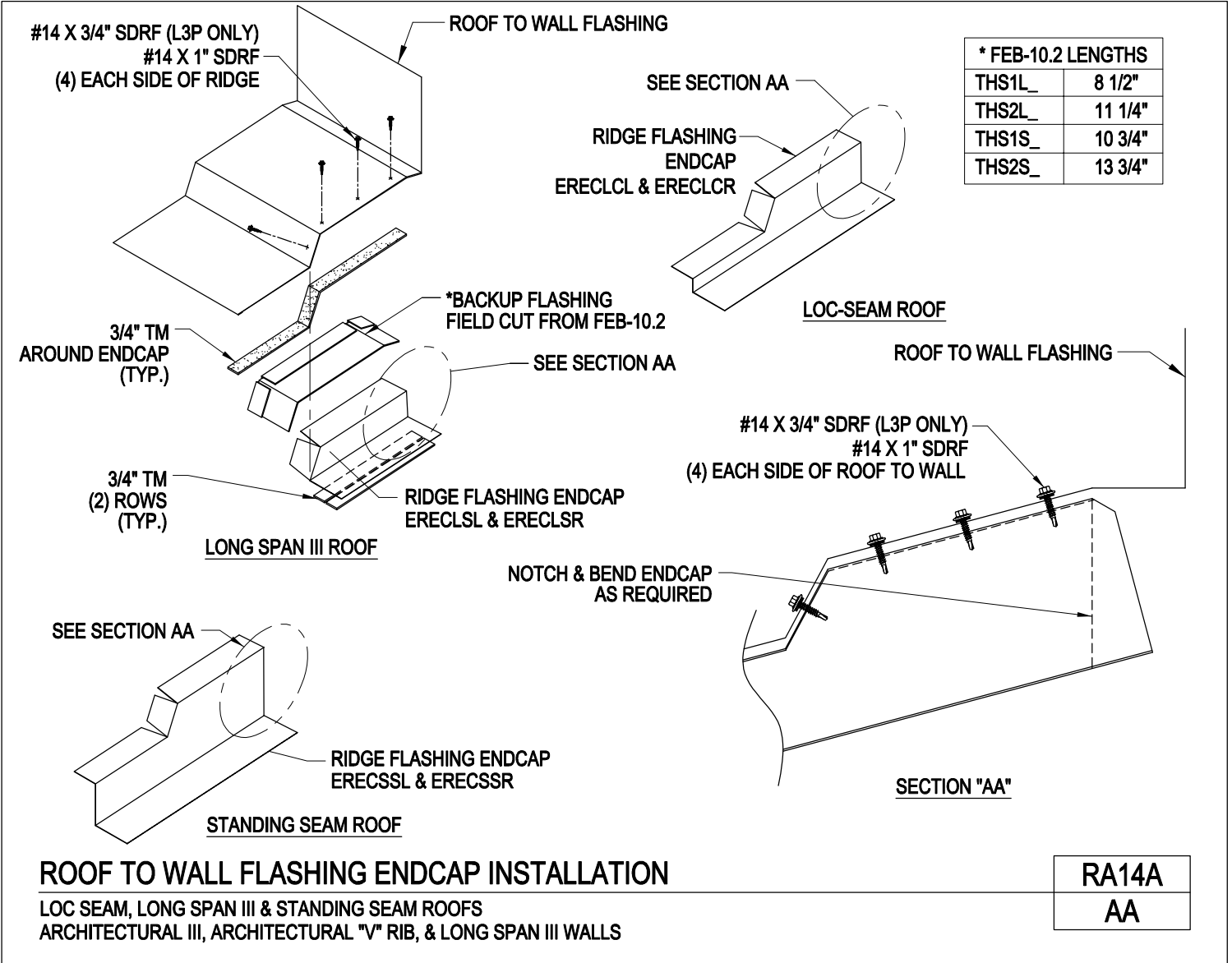
[Download the DWG file by clicking here.](#)

[To Section Index](#)

## Roof to Wall Flashing Endcap Installation

Loc Seam, Long Span III & Standing Seam Roofs w/ Architectural III, Architectural "V" Rib & Long Span III Walls

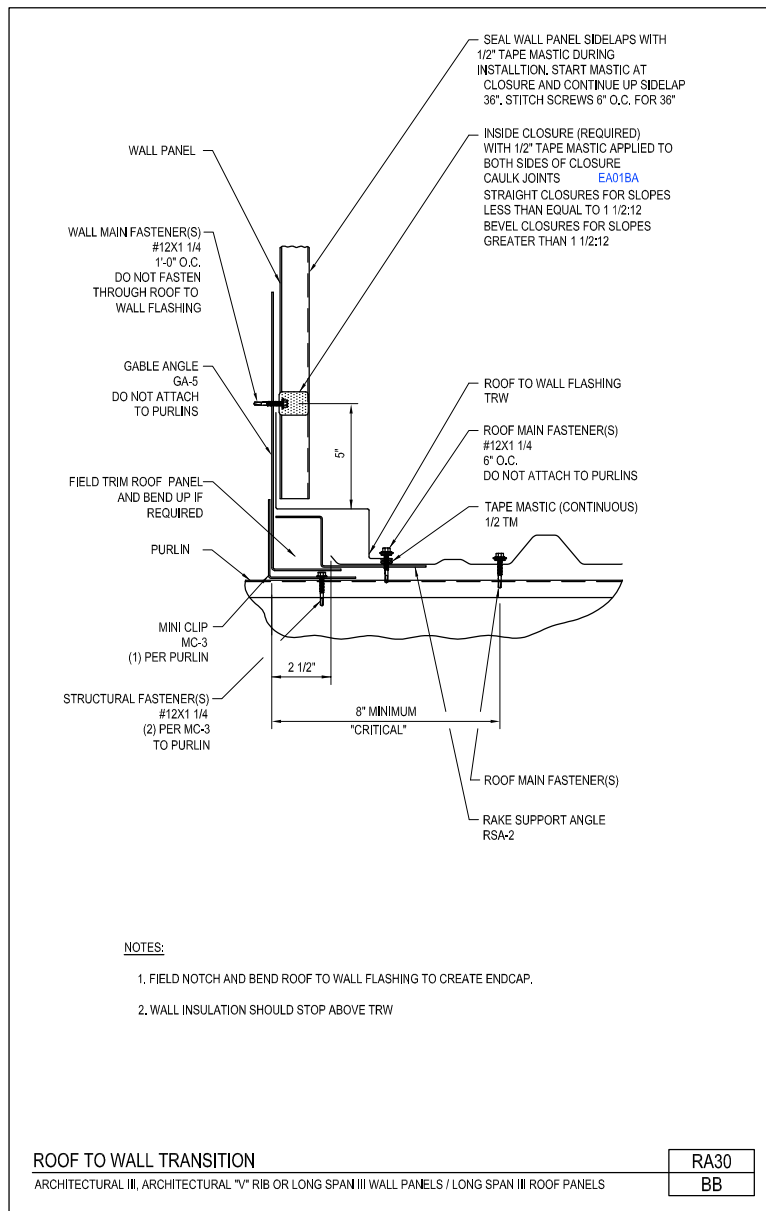
RA14A/AA



[Download the DWG file by clicking here.](#)

[To Section Index](#)

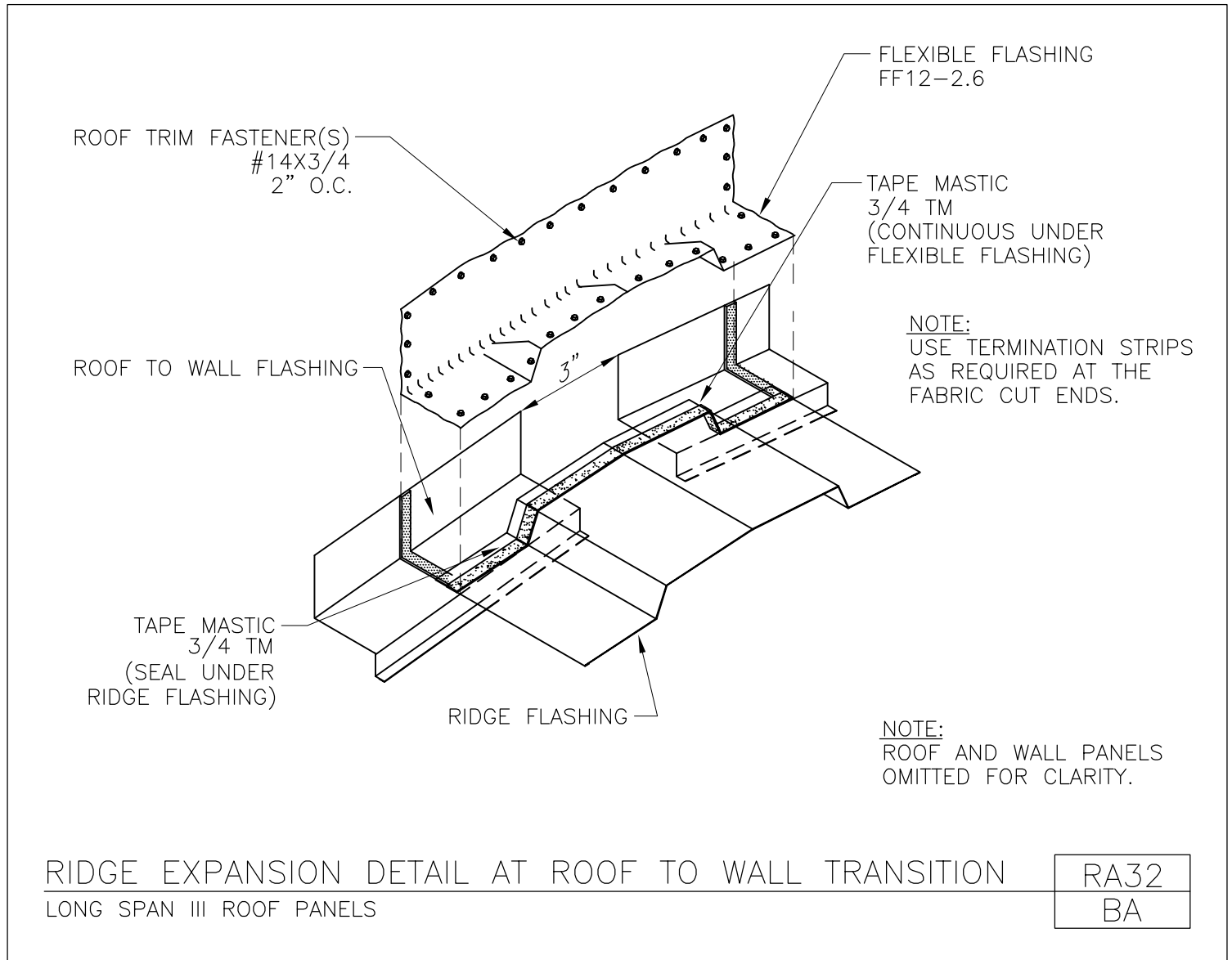
Roof to Wall Transition  
Architectural III, Architectural "V" Rib or Long Span III Walls / Long Span III Roof Panels  
RA30/BB



[Download the DWG file by clicking here.](#)



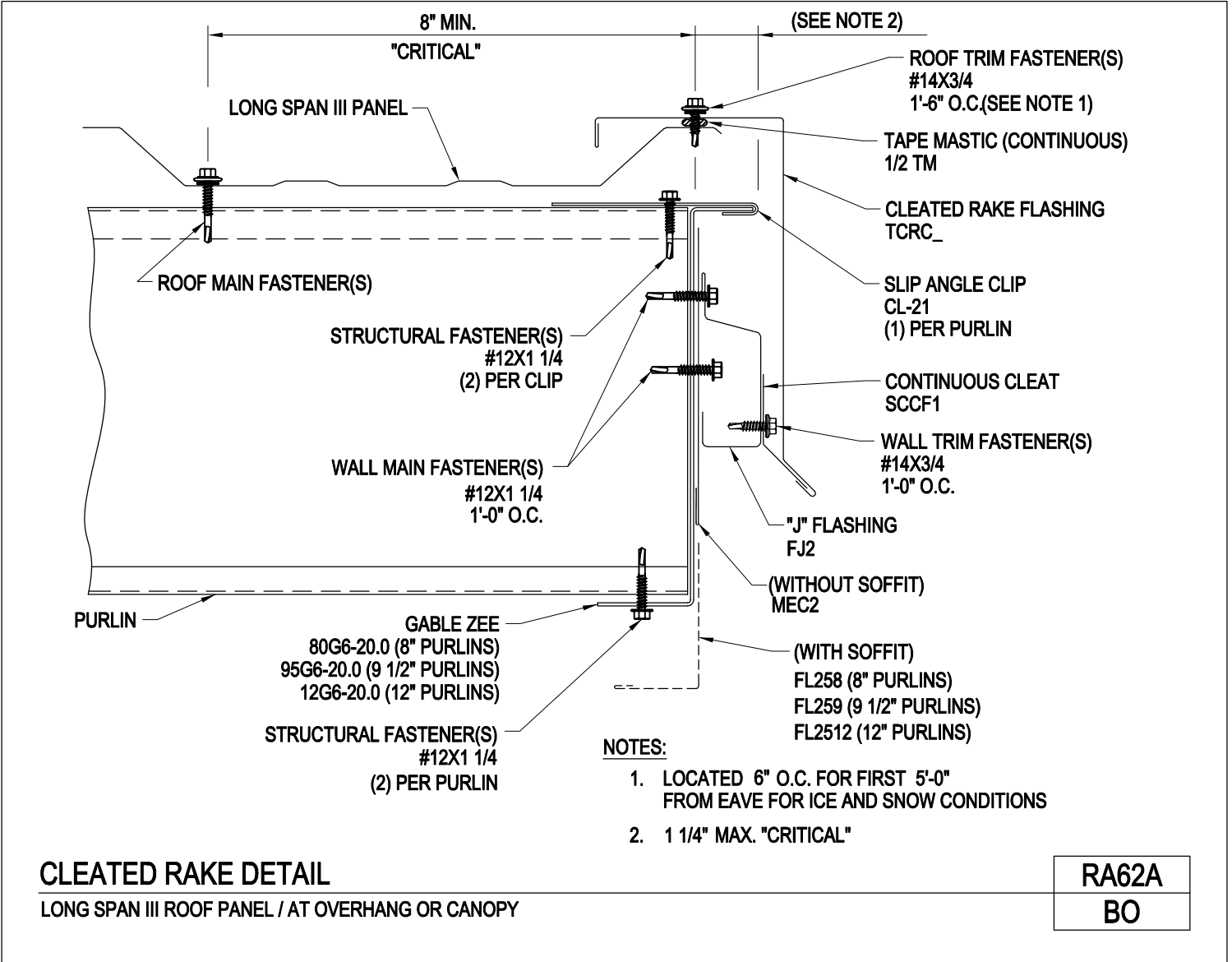
Ridge Expansion Detail at Roof to Wall Transition  
Long Span III Roof  
RA32/BA



[Download the DWG file by clicking here.](#)

[To Section Index](#)

Cleated Rake Detail  
 Long Span III Roof / At Overhang or Canopy  
 RA62A/BO



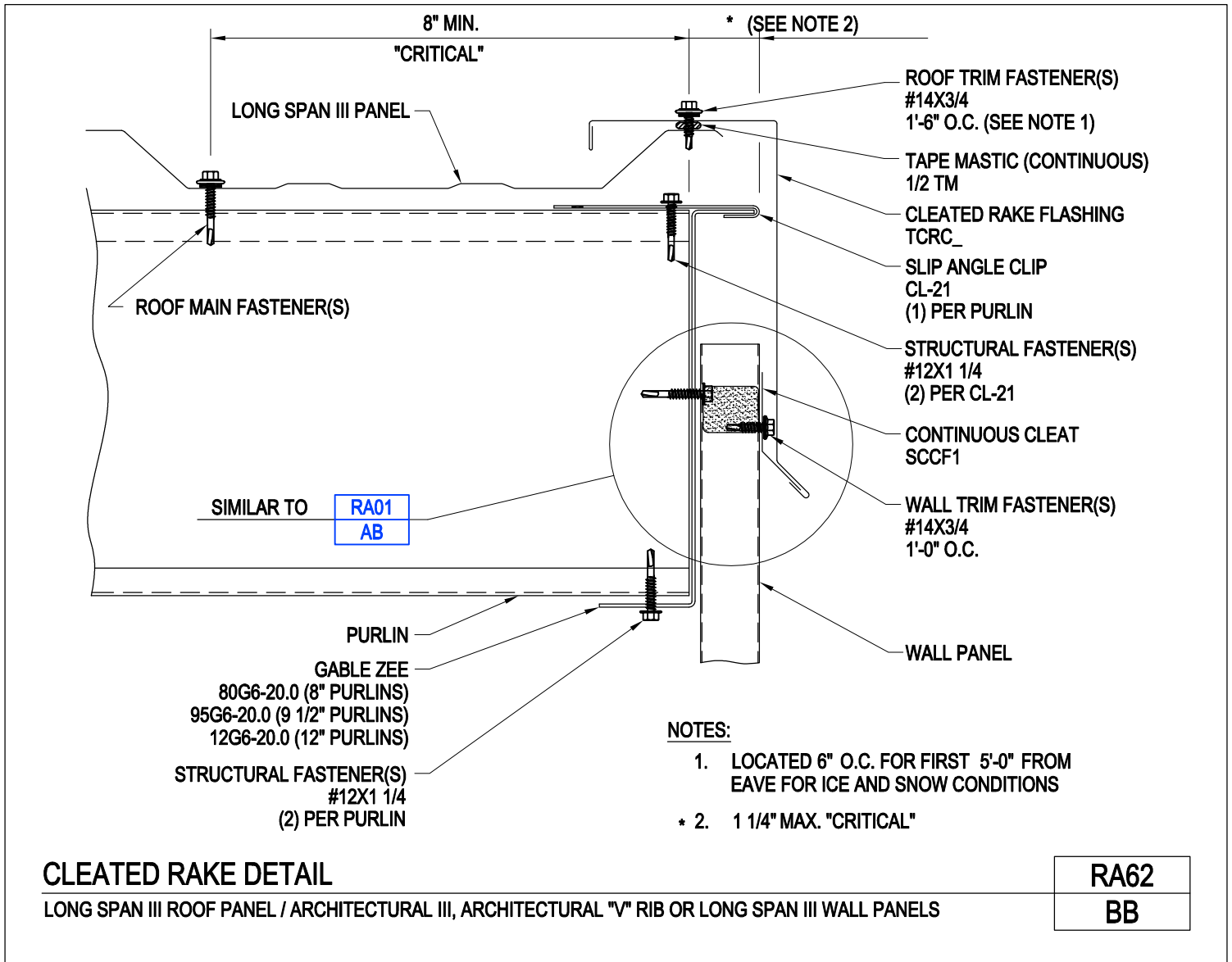
[Download the DWG file by clicking here.](#)

[To Section Index](#)

Cleated Rake Detail

Long Span III Roof / Architectural III, Architectural "V" Rib or Long Span III Wall Panels

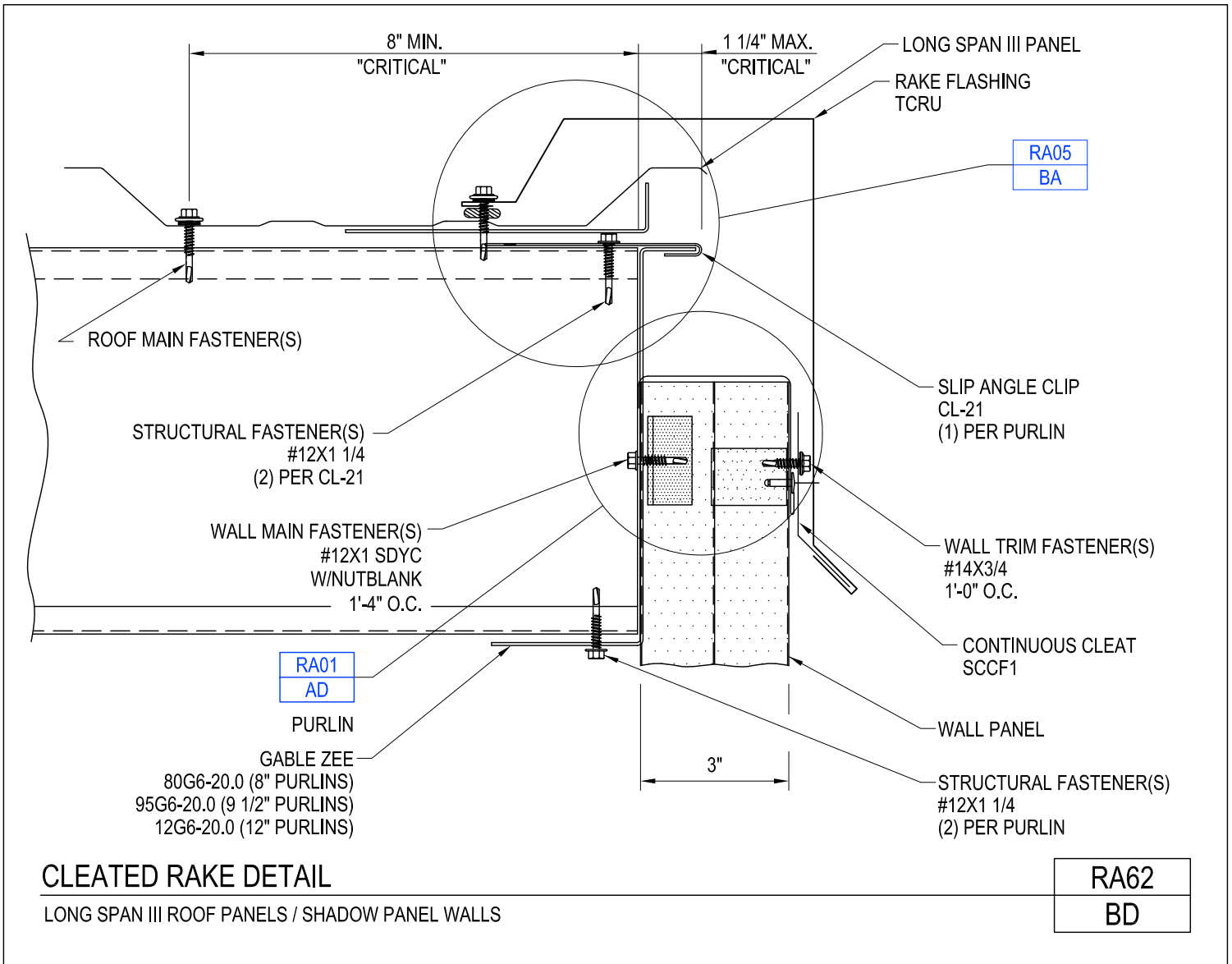
RA62/BB



[Download the DWG file by clicking here.](#)

[To Section Index](#)

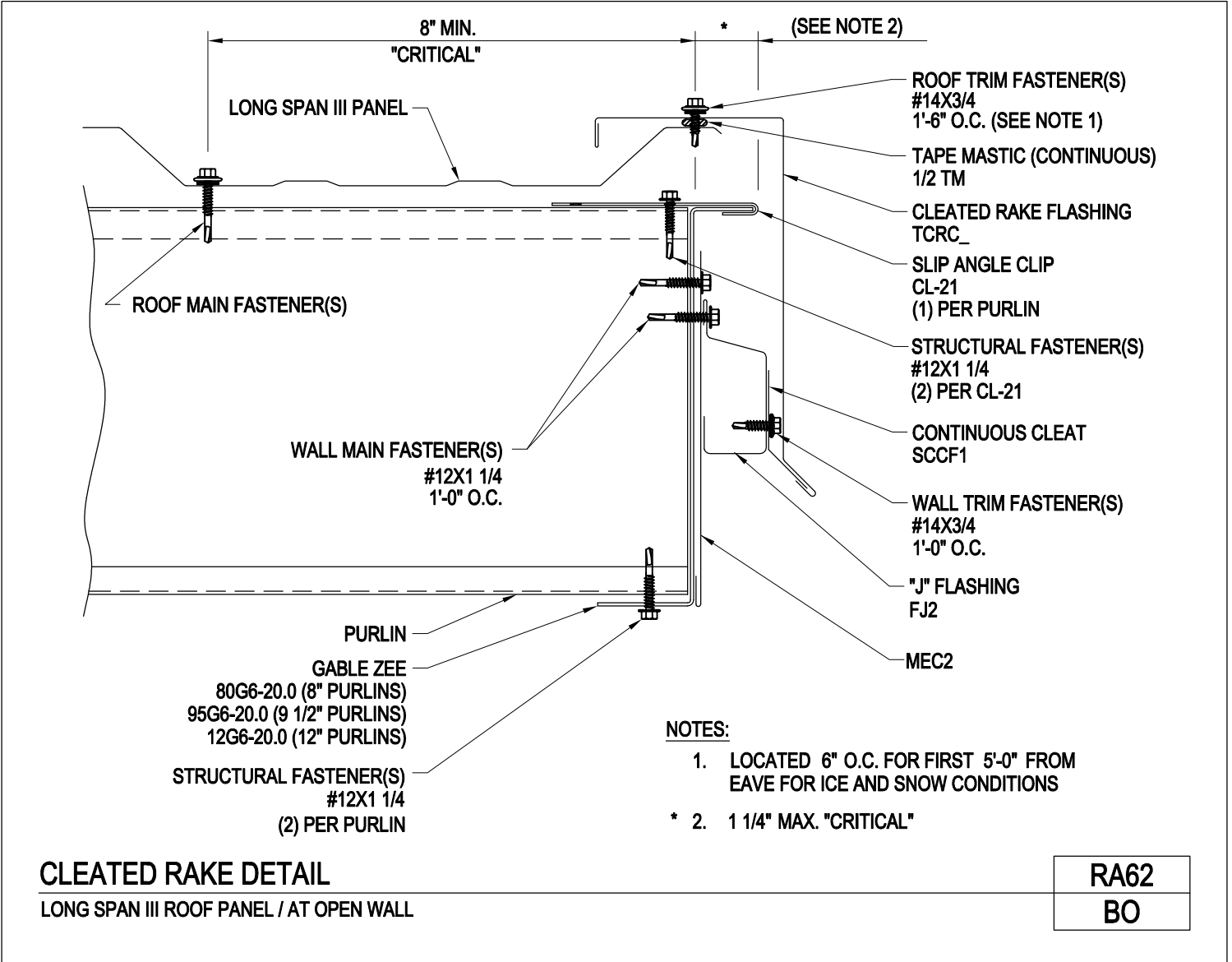
Cleated Rake Detail  
Long Span III Roof w/ Shadow Panel Walls  
RA62/BD



[Download the DWG file by clicking here.](#)

[To Section Index](#)

Cleated Rake Detail  
 Long Span III Roof / At Open Wall  
 RA62/BO



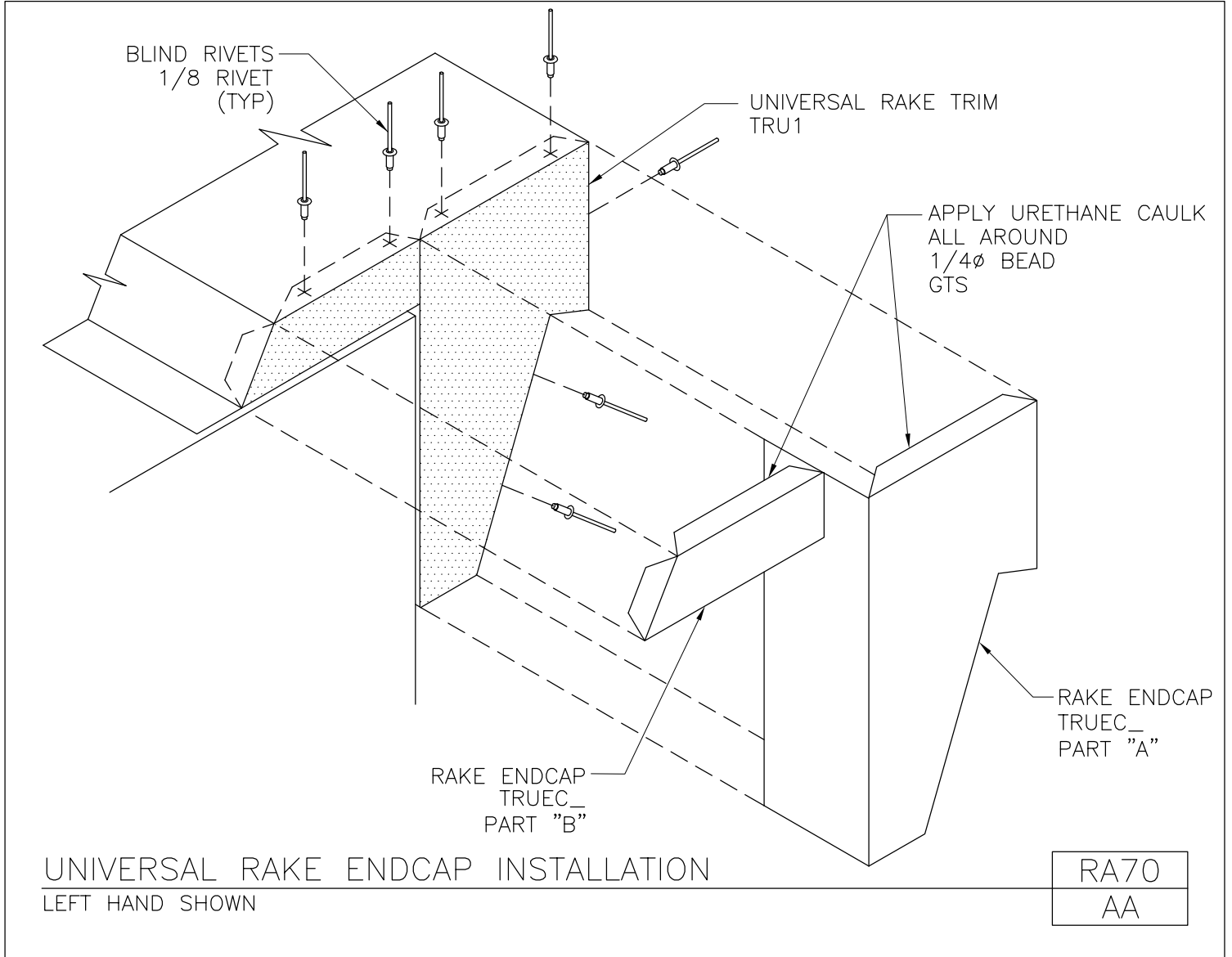
[Download the DWG file by clicking here.](#)

[To Section Index](#)

Universal Rake Endcap Installation

Left Hand Shown

RA70/AA

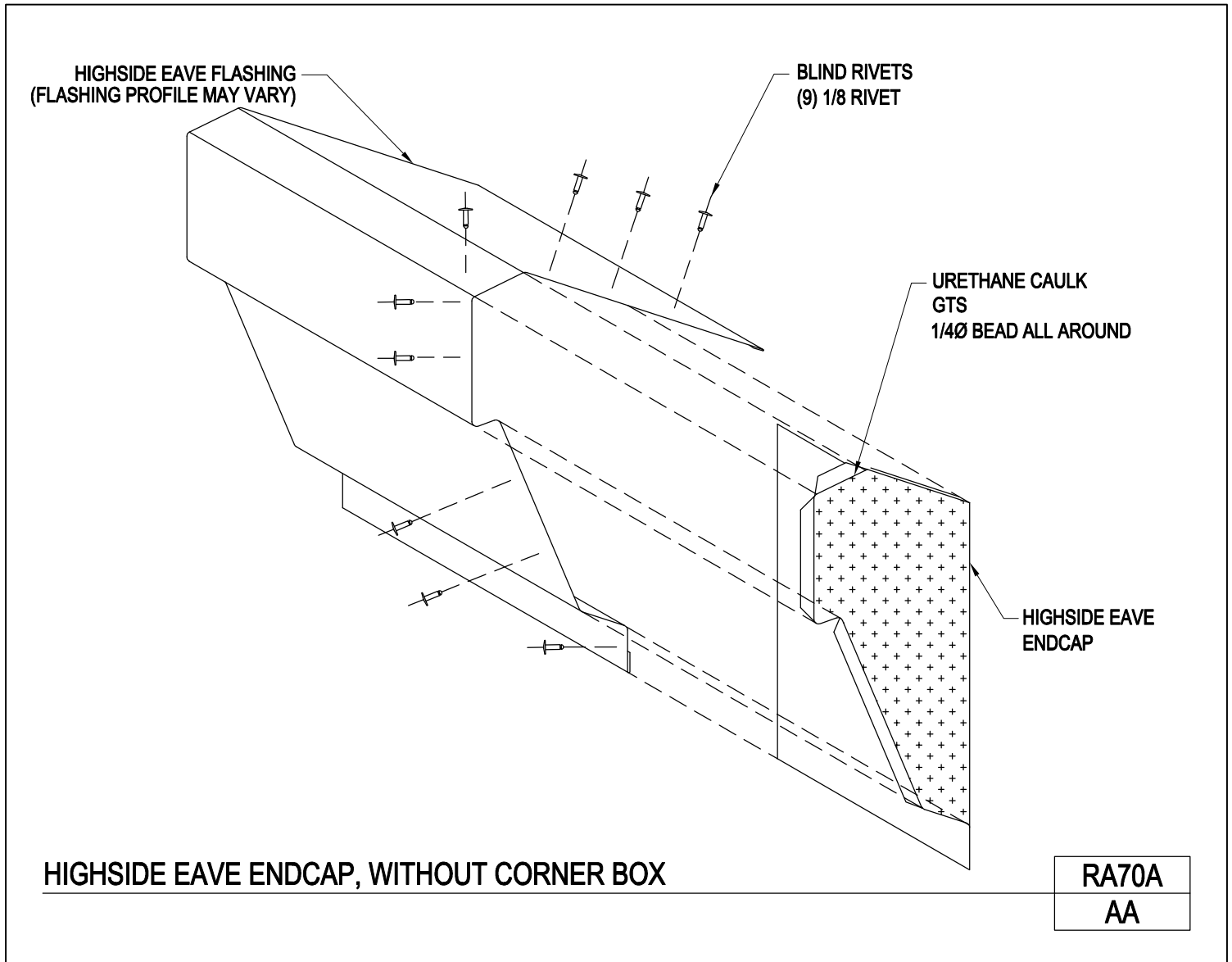


[Download the DWG file by clicking here.](#)

[To Section Index](#)

## Highside Eave Endcap, Without Corner Box

RA70A/AA



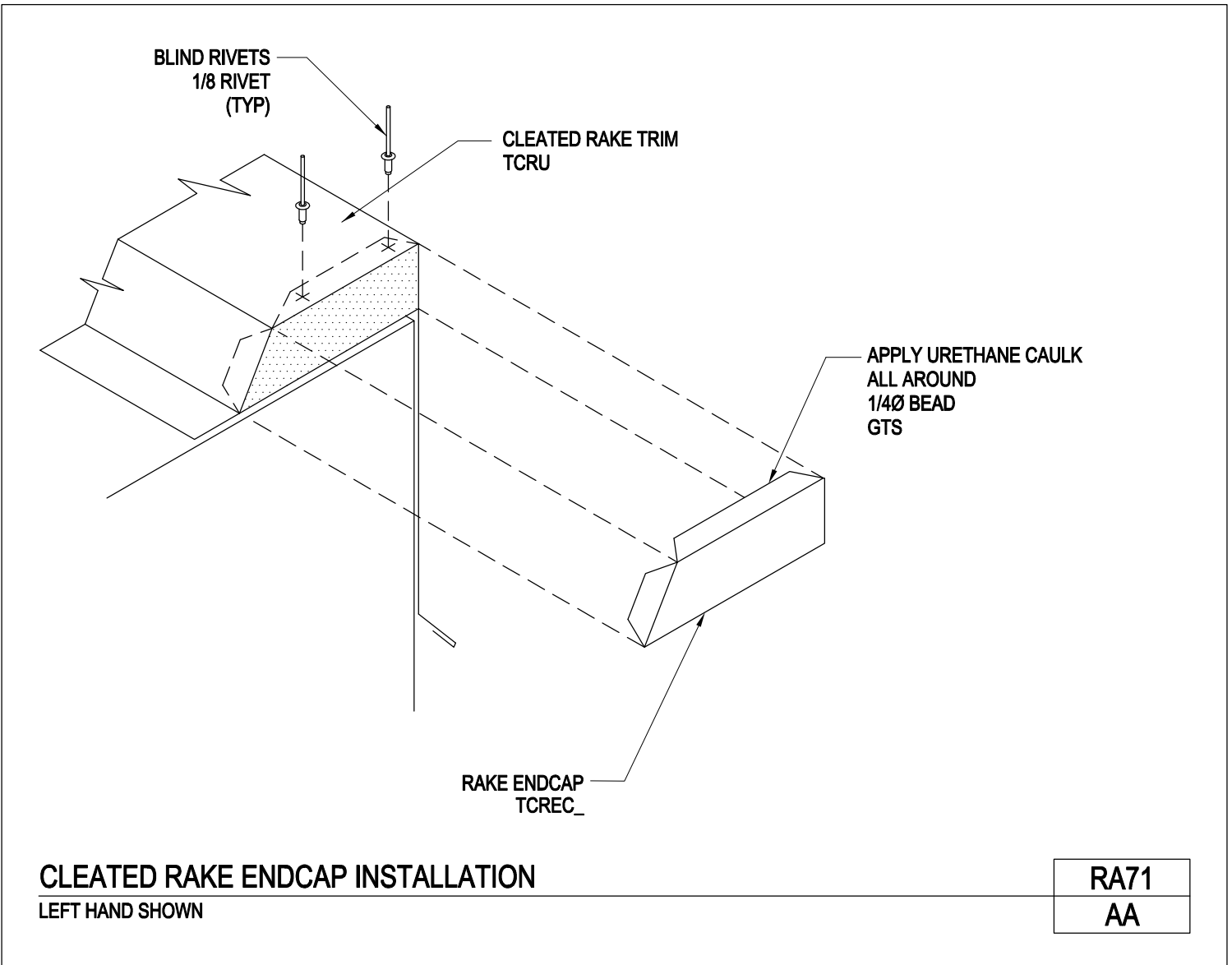
[Download the DWG file by clicking here.](#)

[To Section Index](#)

## Cleated Rake Endcap Installation

All Roof Panels

RA71/AA



[Download the DWG file by clicking here.](#)

[To Section Index](#)