

Product Manual - Long Span III Wall Panels - General

[GE01/AA, Building Alignment](#)

[GE03/AA, Girt Blocking](#)

[GE04/AB, Panel Installation Notes](#)

[GE05/AA, Instructions for Proper Magnet Setting for Nut Setter Bit](#)

[GE70/AA, Safety Commitment](#)

[RC51/BB, Panel Storage](#)

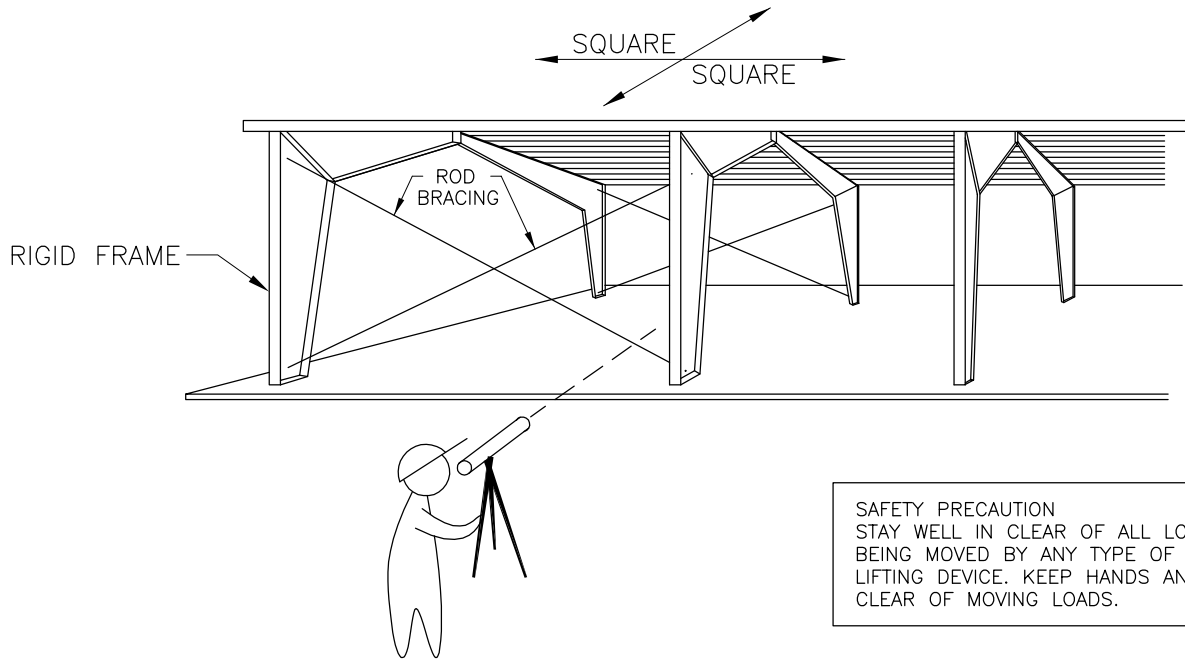
[RC63/BB, Panel Marking and Sidelap Details](#)

[RC91/BA, Erection Notes](#)

[RC95/AA, Panel Storage Notes](#)

Building Alignment

GE01/AA



SAFETY PRECAUTION
STAY WELL IN CLEAR OF ALL LOADS
BEING MOVED BY ANY TYPE OF
LIFTING DEVICE. KEEP HANDS AND FEET
CLEAR OF MOVING LOADS.

THE FIRST STEP IN THE SUCCESSFUL INSTALLATION OF THE ROOF OR WALLS IS TO HAVE THE PRIMARY FRAMING PLUMB AND SQUARE. FOR BEST RESULTS, IT IS RECOMMENDED THAT A TRANSIT BE USED WHEN ERECTING THE STRUCTURAL STEEL. BE SURE TO READ THE GENERAL ERECTION GUIDE PRIOR TO COMMENCING ERECTION.

BUILDING ALIGNMENT

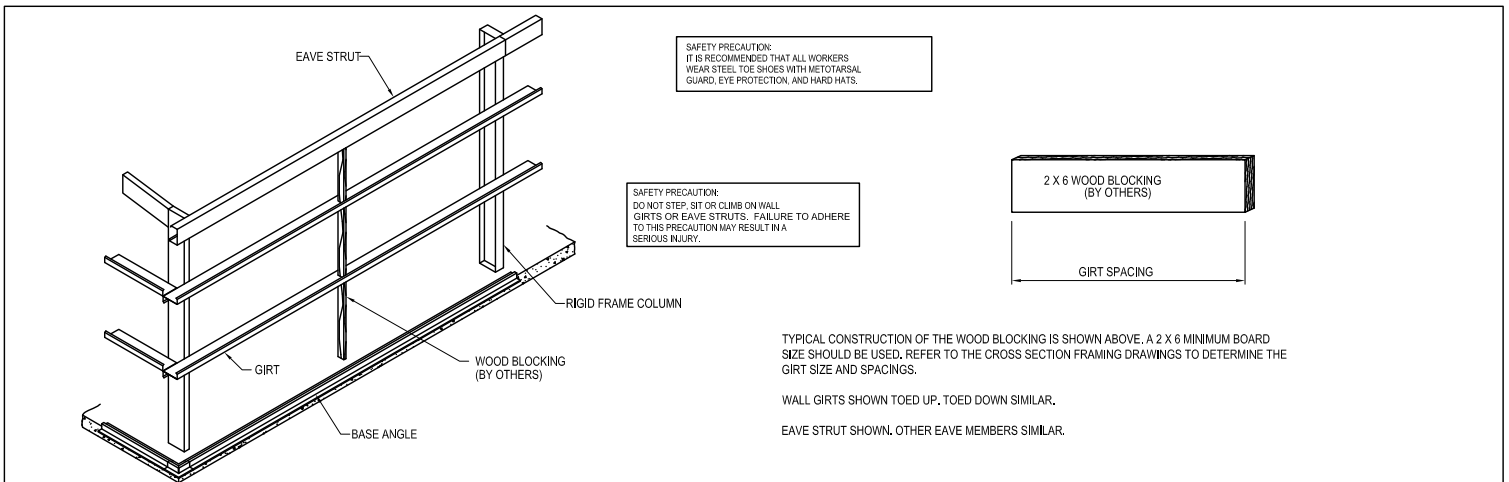
GE01
AA

[Download the DWG file by clicking here.](#)

[To Section Index](#)

Girt Blocking

GE03/AA



SAFETY PRECAUTION:
IT IS RECOMMENDED THAT ALL WORKERS WEAR STEEL TOE SHOES WITH METatarsal GUARD, EYE PROTECTION, AND HARD HATS.

SAFETY PRECAUTION:
DO NOT STEP, SIT OR CLIMB ON WALL GIRTS OR EAVE STRUTS. FAILURE TO ADHERE TO THIS PRECAUTION MAY RESULT IN A SERIOUS INJURY.

2 X 6 WOOD BLOCKING (BY OTHERS)

GIRT SPACING

TYPICAL CONSTRUCTION OF THE WOOD BLOCKING IS SHOWN ABOVE. A 2 X 6 MINIMUM BOARD SIZE SHOULD BE USED, REFER TO THE CROSS SECTION FRAMING DRAWINGS TO DETERMINE THE GIRT SIZE AND SPACINGS.

WALL GIRTS SHOWN TOED UP, TOED DOWN SIMILAR.

EAVE STRUT SHOWN, OTHER EAVE MEMBERS SIMILAR.

INSTALLATION OF THE BUILDING WALLS IS GENERALLY DONE BEFORE THE ROOF, BEFORE STARTING THE WALL SHEETING OR INSULATION. CHECK TO BE SURE THAT THE EAVE STRUT AND GIRTS ARE STRAIGHT AND PLUMB. TO ALIGN THE GIRTS, CUT TEMPORARY WOOD BLOCKING TO THE PROPER LENGTH AND INSTALL BETWEEN THE LINES OF GIRTS. THIS BLOCKING CAN BE MOVED FROM BAY TO BAY WHICH WILL REDUCE THE NUMBER OF PIECES REQUIRED. NORMALLY, ONE LINE OF BLOCKING PER BAY WILL BE SUFFICIENT.

GIRT BLOCKING

GE03
AA

[Download the DWG file by clicking here.](#)

[To Section Index](#)

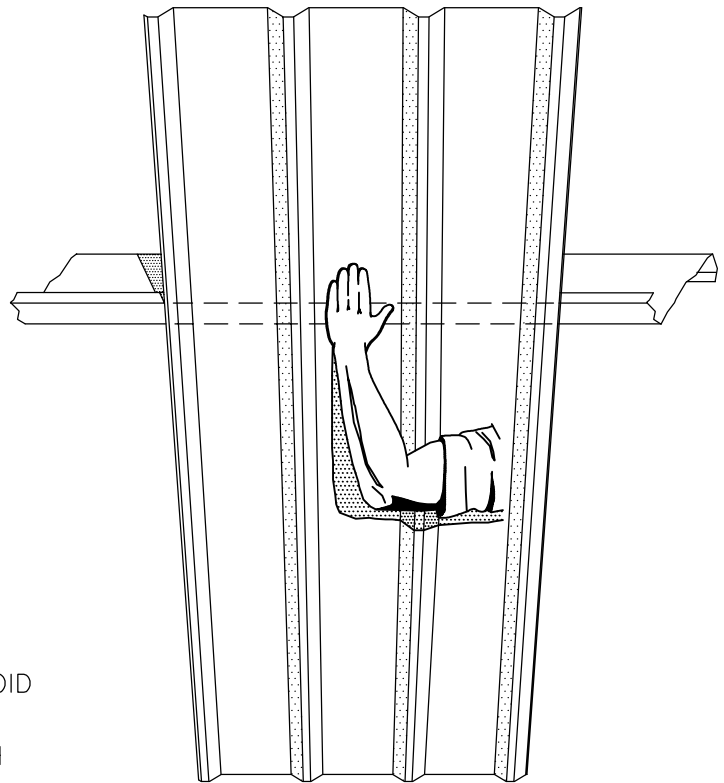
Panel Installation Notes

Long Span III Wall

GE04/AB

THINGS TO REMEMBER

1. THINK SAFETY.
2. CARE FOR PANELS IN ACCORDANCE WITH ERECTION GUIDE.
3. ALIGN GIRT.
4. PLUMB FIRST AND EVERY PANEL.
5. CHECK COVERAGE ON EVERY PANEL.
6. FOLLOW SCREW ATTACHMENT SEQUENCE: TRAILING TO LEADING. TOP TO BOTTOM.
7. DO NOT EXCEED INSULATION THICKNESS (4" MAX.).
8. DO NOT "RATCHET" OR OVERTIGHTEN WALL PANEL SCREWS. THIS WILL CAUSE "DIMPLING".
9. USE THE FLAT OF THE LONGSPAN PANEL TO APPLY PRESSURE WHEN INSTALLING. (SEE EXAMPLE)
10. DO NOT USE ABRASIVE SAWS OR OTHER CUTTING TOOLS WHICH PRODUCE HOT METAL PARTICLES OR BURNED EDGES. THESE METHODS WILL DAMAGE THE PAINTED AND GALVALUME FINISH AND WILL VOID ANY WARRANTIES. USE DOUBLE CUT SHEARS, NIBBLERS OR OTHER CUTTING DEVICES WHICH DO NOT PRODUCE HOT METAL PARTICLES OR BURNED EDGES.



PANEL INSTALLATION NOTES

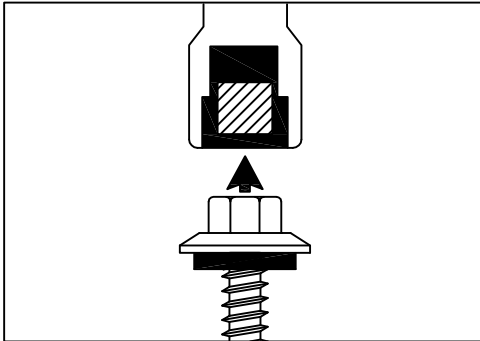
LONG SPAN III WALL PANELS

GE04
AB

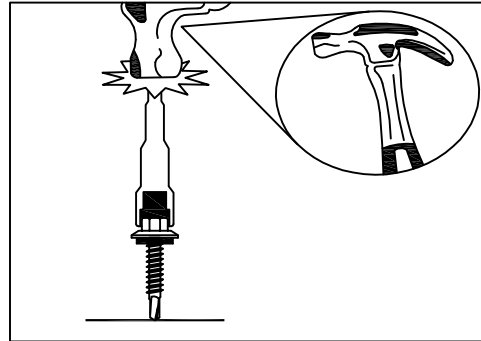
[Download the DWG file by clicking here.](#)

[To Section Index](#)

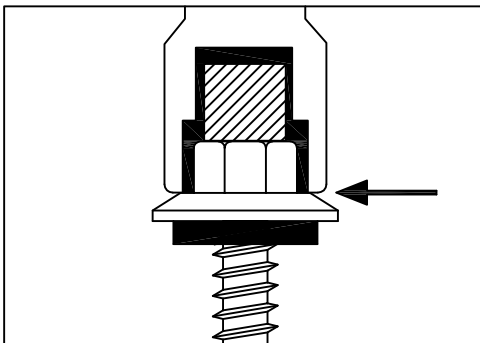
Instructions for Proper Magnet Setting for Nut Setter Bit
Fasteners
GE05/AA



1. Put the top of the fastener into the nut setter. Note: for painted Fasteners, place a single or doubled layer of plastic between the fastener head and the nut setter.



2. Place the point of the fastener onto a hard surface and firmly hit the top of the nut setter 2-3 times.



3. The base of the nut setter should now be contacting the top of the head of the fastener with no gaps.



4. Bad set vs. good set.

INSTRUCTIONS FOR PROPER MAGNET SETTING FOR NUT SETTER BIT

FASTENERS

GE05
AA

[Download the DWG file by clicking here.](#)

[To Section Index](#)

Safety Commitment

GE70/AA

SAFETY NOTES:

THE METAL BUILDING SUPPLIER STRONGLY RECOMMENDS THAT SAFE WORKING CONDITIONS AND ACCIDENT PREVENTION PRACTICES BE THE TOP PRIORITY ON ANY JOB SITE.

LOCAL, STATE AND FEDERAL SAFETY AND HEALTH STANDARDS SHOULD ALWAYS BE FOLLOWED TO HELP ENSURE WORKER SAFETY.

MAKE CERTAIN ALL EMPLOYEES KNOW THE SAFEST AND MOST PRODUCTIVE WAY OF ERECTING A BUILDING. EMERGENCY TELEPHONE NUMBERS, LOCATIONS OF FIRST AID STATIONS AND EMERGENCY PROCEDURES SHOULD BE KNOWN TO ALL EMPLOYEES.

DAILY MEETINGS HIGHLIGHTING SAFETY PROCEDURES, THE USE OF HARD HATS, RUBBER SOLE SHOES FOR ROOF WORK, PROPER EQUIPMENT FOR HANDLING MATERIAL AND SAFETY NETS WHERE POSSIBLE ARE RECOMMENDED ERECTION PRACTICES.

THE METAL BUILDING SUPPLIER INTENDS THAT THESE DRAWINGS BE INTERPRETED AND ADMINISTERED WITH SOUND JUDGMENT CONSISTENT WITH GOOD SAFETY PRACTICES.

ALL SAFETY PRECAUTIONS, OSHA SAFETY REQUIREMENTS, OR ANY OTHER APPROPRIATE SAFETY REQUIREMENTS, CUSTOMARY OR STATUTORY, MUST BE ADHERED TO, TO ENSURE MAXIMUM WORKER SAFETY.

IF OIL OR OTHER SLIPPERY SUBSTANCES ARE SPILLED ON THE ROOF/DECK PANELS, WIPE THEM OFF IMMEDIATELY TO PREVENT SLIPPING OR FALLING.

YOU SHOULD MAINTAIN A FIRM, SAFE POSITION WHEN USING ANY TOOL.

YOU SHOULD MAINTAIN A CONSTANT AWARENESS OF YOUR LOCATION IN RELATION TO THE ROOF EDGE WHEN USING TOOLS AND MACHINES OR PERFORMING ANY OTHER FUNCTION ON THE ROOF AREA.

DO NOT UNDER ANY CIRCUMSTANCES STEP OR WALK ON THE SURFACE OF ANY FIBERGLASS SKYLIGHT. IF FOOT TRAFFIC IS NECESSARY OVER SKYLIGHT, USE WALK BOARDS THAT ARE PROPERLY SUPPORTED BY THE BUILDING PURLINS.

SAFETY COMMITMENT

GE70
AA

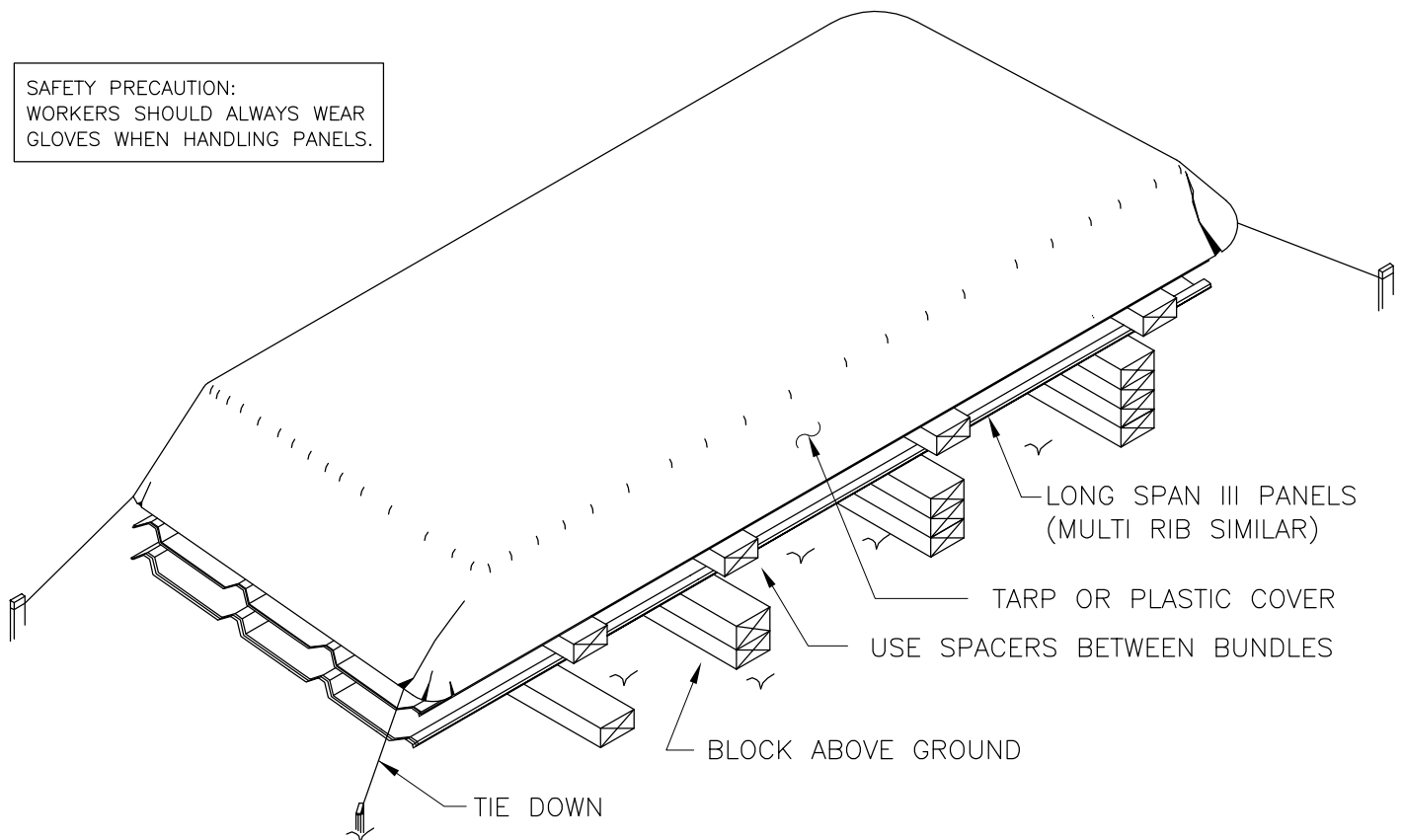
[Download the DWG file by clicking here.](#)

[To Section Index](#)

Panel Storage
Long Span III Wall (Multi Rib Similar)
RC51/BB

USE WOOD BLOCKING TO ELEVATE AND SLOPE THE PANELS IN A MANNER THAT WILL ALLOW MOISTURE TO DRAIN. WOOD BLOCKING PLACED BETWEEN PANEL BUNDLES WILL PROVIDE ADDITIONAL AIR CIRCULATION. COVER THE STACKED BUNDLES WITH A TARP OR PLASTIC COVER LEAVING ENOUGH OPENING AT THE BOTTOM FOR AIR TO CIRCULATE.

SAFETY PRECAUTION:
WORKERS SHOULD ALWAYS WEAR
GLOVES WHEN HANDLING PANELS.



PANEL STORAGE
LONG SPAN III (MULTI RIB SIMILAR)

RC51
BB

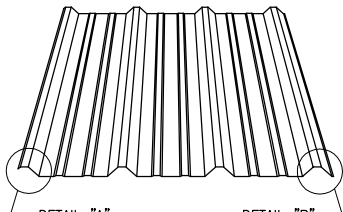
[Download the DWG file by clicking here.](#)

[To Section Index](#)

Panel Marking and Sidelap Details
Long Span III Wall
RC63/BB

SAFETY PRECAUTION:
DO NOT STEP ON PANELS
UNTIL FULLY SECURED WITH
FASTENERS.

SAFETY PRECAUTION:
DO NOT STEP ON RIB OF
PANEL. ALWAYS STEP ON
FLAT SURFACE.



LONG SPAN III PANEL

LONG SPAN III PANEL IDENTIFICATION MARK NUMBER

EXAMPLE L3P 24 - 30.0

- 30'-0" IN LENGTH
- 24 GAGE (22, 24, 26, & 29 GAGE AVAILABLE)
- LONG SPAN III

ERECTION OF THE LONG SPAN PANEL REQUIRES THAT THE PROPER DIRECTION OF ITS APPLICATION BE MADE. THE DESIGN OF THE PANEL INCORPORATES A BEARING LEG INTO ITS LEADING EDGE WHICH PROVIDES SUPPORT FOR PROPER NESTING OF THE OVERLAPPING RIB OF THE NEXT PANEL. THE INSTALLATION OF THE PANELS (SHOWN AT LEFT) PROCEEDS FROM LEFT TO RIGHT. HOWEVER, UNLESS FIELD CIRCUMSTANCES DICTATE OTHERWISE, INSTALLATION OF PANELS CAN PROCEED FROM EITHER LEFT TO RIGHT OR RIGHT TO LEFT AS LONG AS THE OVERLAPPING RIB IS LAPPED OVER THE BEARING RIB.

NOTE:
ALUMINUM-COATED PANELS ARE SUBJECT TO STAINING DUE TO RESIDUE FROM BARE HANDS. ALUMINUM-COATED LINER PANELS THAT INCLUDE AN ACRYLIC FINISH DO HAVE ADDITIONAL PROTECTION, BUT IT IS LIMITED AND DETERIORATES IN A RELATIVELY SHORT TIME MAKING THAT PANEL ALSO SUBJECT TO STAINING FROM BARE HANDS. IT IS RECOMMENDED THAT GLOVES BE USED FOR ALL HANDLING OF BOTH PRODUCTS AND THAT APPLICATION OF THESE PRODUCTS BE LIMITED TO AREAS NOT EXPOSED TO TOUCH.

OVERLAPPING RIB
(THIS RIB OVERLAPS
PRECEEDING PANEL)

OUTSIDE

BEARING LEG

DETAIL "A"

BEARING LEG
(BEARING LEG GIVES
SUPPORT TO SIDELAP)

DETAIL "B"

SIDELAP DETAIL

PANEL MARKING AND SIDELAP DETAILS
LONG SPAN III

RC63
BB

[Download the DWG file by clicking here.](#)

[To Section Index](#)

Erection Notes
Long Span III Wall
RC91/BA

ERECTION NOTES:

1. ALL AREAS WHERE MASTIC IS TO BE APPLIED SHOULD BE WIPED CLEAN WITH A MILD DETERGENT OR AN ALL PURPOSE CLEANER BEFORE MASTIC APPLICATION. THIS WILL ENSURE A GOOD SEALING SURFACE AND IMPROVE WEATHER TIGHTNESS.
2. THE BLANKET INSULATION MANUFACTURER RECOMMENDS THAT DOUBLE SIDED TAPE BE USED TO SECURE THE INSULATION TO THE EAVE. THE METAL BUILDING SUPPLIER IS NOT RESPONSIBLE FOR THE INSTALLATION OR ATTACHMENT OF THE INSULATION. ADDITIONAL ATTACHMENTS (BY OTHERS) MAY BE REQUIRED.
3. ALL EXPOSED FASTENERS SHOULD PENETRATE THE SEALANT FOR THE MOST WEATHER TIGHT CONNECTION IN ROOF AND WALL AREAS WHERE APPLICABLE.
4. WHEN FIELD CUTTING PANELS OR TRIM DO NOT USE ABRASIVE SAWS OR OTHER CUTTING METHODS WHICH PRODUCE HOT METAL PARTICLES OR BURN THE CUT EDGES. THESE METHODS WILL DAMAGE THE PAINTED AND GALVALUME FINISH AND VOID ANY WARRANTIES. USE DOUBLE CUT SHEARS, NIBBLERS OR OTHER CUTTING DEVICES WHICH DO NOT PRODUCE HOT METAL PARTICLES OR BURNED EDGES.

ERECTION NOTES

LONG SPAN III

RC91

BA

[Download the DWG file by clicking here.](#)

[To Section Index](#)

Panel Storage Notes

RC95/AA

ROOF AND WALL PANELS

ROOF AND WALL PANELS INCLUDING COLOR COATED, ALUMINUM COATED AND GALVANIZED, PROVIDE EXCELLENT SERVICE UNDER WIDELY VARIED CONDITIONS. ALL UNLOADING AND ERECTION PERSONNEL SHOULD FULLY UNDERSTAND THAT THESE PANELS ARE QUALITY MERCHANDISE WHICH MERIT CAUTIOUS CARE IN HANDLING.

UNDER NO CIRCUMSTANCES SHOULD PANELS BE HANDLED ROUGHLY. PACKAGES OF SHEETS SHOULD BE LIFTED OFF THE TRUCK WITH EXTREME CARE TAKEN TO INSURE THAT NO DAMAGE OCCURS TO ENDS OF THE SHEETS OR TO SIDE RIBS. THE PACKAGES SHOULD BE STORED OFF THE GROUND SUFFICIENTLY HIGH ENOUGH TO ALLOW AIR CIRCULATION UNDERNEATH THE PACKAGES. THIS AVOIDS GROUND MOISTURE AND DETERS PEOPLE FROM WALKING ON THE PACKAGES. ONE END OF THE PACKAGE SHOULD ALWAYS BE ELEVATED ABOVE THE LOWER END TO ENCOURAGE DRAINAGE IN CASE OF RAIN.

ALL METAL PANELS ARE SUBJECT TO SOME DEGREE TO LOCALIZED DISCOLORATION OR STAIN WHEN WATER IS TRAPPED BETWEEN THEIR CLOSELY FITTED SURFACES. PANEL MANUFACTURER EXERCISES EXTREME CAUTION DURING FABRICATING AND SHIPPING OPERATIONS TO INSURE THAT ALL PANEL STOCK IS KEPT DRY. HOWEVER, DUE TO CLIMATIC CONDITIONS, WATER FORMED BY CONDENSATION OF HUMID AIR CAN BECOME TRAPPED BETWEEN STACKED SHEETS. WATER CAN ALSO BE TRAPPED BETWEEN THE STACKED SHEETS WHEN EXPOSED TO RAIN. THIS DISCOLORATION CAUSED BY TRAPPED MOISTURE IS OFTEN CALLED WET STORAGE STAIN.

THE STAIN IS USUALLY SUPERFICIAL AND HAS LITTLE EFFECT ON THE APPEARANCE OR SERVICE LIFE OF THE PANELS AS LONG AS IT IS NOT PERMITTED TO REMAIN ON THE PANELS. HOWEVER, MOISTURE IN CONTACT WITH THE SURFACE OF THE PANELS OVER AN EXTENDED PERIOD CAN SEVERELY ATTACK THEIR FINISH AND REDUCE THEIR EFFECTIVE SERVICE LIFE. THEREFORE, IT IS IMPERATIVE THAT ALL PANELS BE INSPECTED FOR MOISTURE UPON RECEIPT OF THE ORDER. IF MOISTURE IS PRESENT, DRY THE PANELS AT ONCE AND STORE IN A DRY, WARM PLACE, IF POSSIBLE.

WHEN HANDLING OR UNCRATING THE PANELS, LIFT, RATHER THAN SLIDE, THEM APART. BURRING EDGES MAY SCRATCH THE COATED SURFACES WHEN SHEETS ARE SLID OVER ONE ANOTHER. NEVER ALLOW PANELS TO BE WALKED ON WHILE ON THE GROUND.

ROUGH AND IMPROPER HANDLING OF PANELS IS INEXCUSABLE AND A PRIME EXAMPLE OF POOR JOB SUPERVISION.

CAUTION: PANELS ARE SLIPPERY. OIL OR WAX THAT HAS BEEN USED ON THE ROOF AND WALL PANELS FOR PROTECTION AGAINST WEATHER DAMAGE WILL MAKE THEM A VERY SLIPPERY WALKING SURFACE. WIPE DRY ANY OIL THAT HAS PUDDLED FROM BUNDLES STORED ON A SLOPE. DEW, FROST OR OTHER FORMS OF MOISTURE GREATLY INCREASE THE SLIPPERINESS OF THE PANELS.

PANEL STORAGE NOTES

RC95
AA

[Download the DWG file by clicking here.](#)

[To Section Index](#)