

Product Manual - Louvers

LV01/AB, Louver Details at 4' x 3' Louver

LV01/AC, Louver Details at 4' x 3' Louver

LV21/AA, Louver Head and Sill Detail @ 4' x 3' Louver

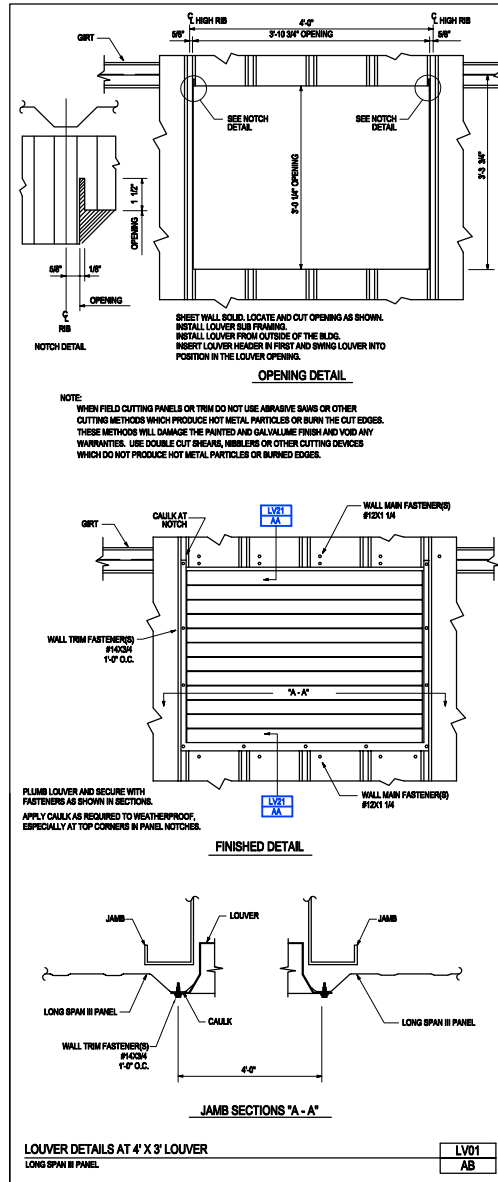
OF01/AA, Jamb to Girt Connection

OF12/AA, Jamb Base Detail

OF26/AA, Sill to Jamb Connection

OFOC/AA, Louver Sub-Framing Key

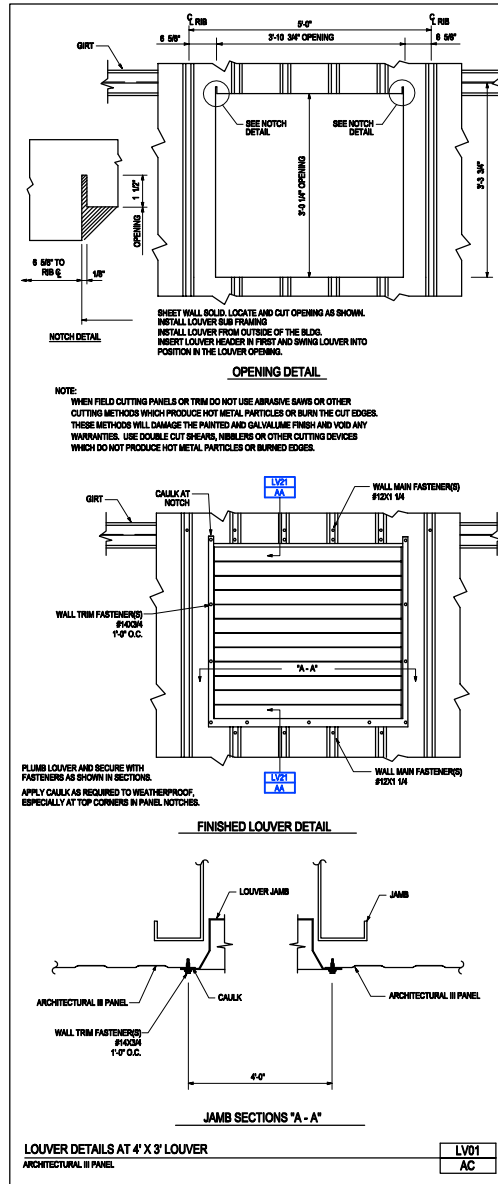
Louver Details at 4' x 3' Louver
Long Span III Panel
LV01/AB



[Download the DWG file by clicking here.](#)

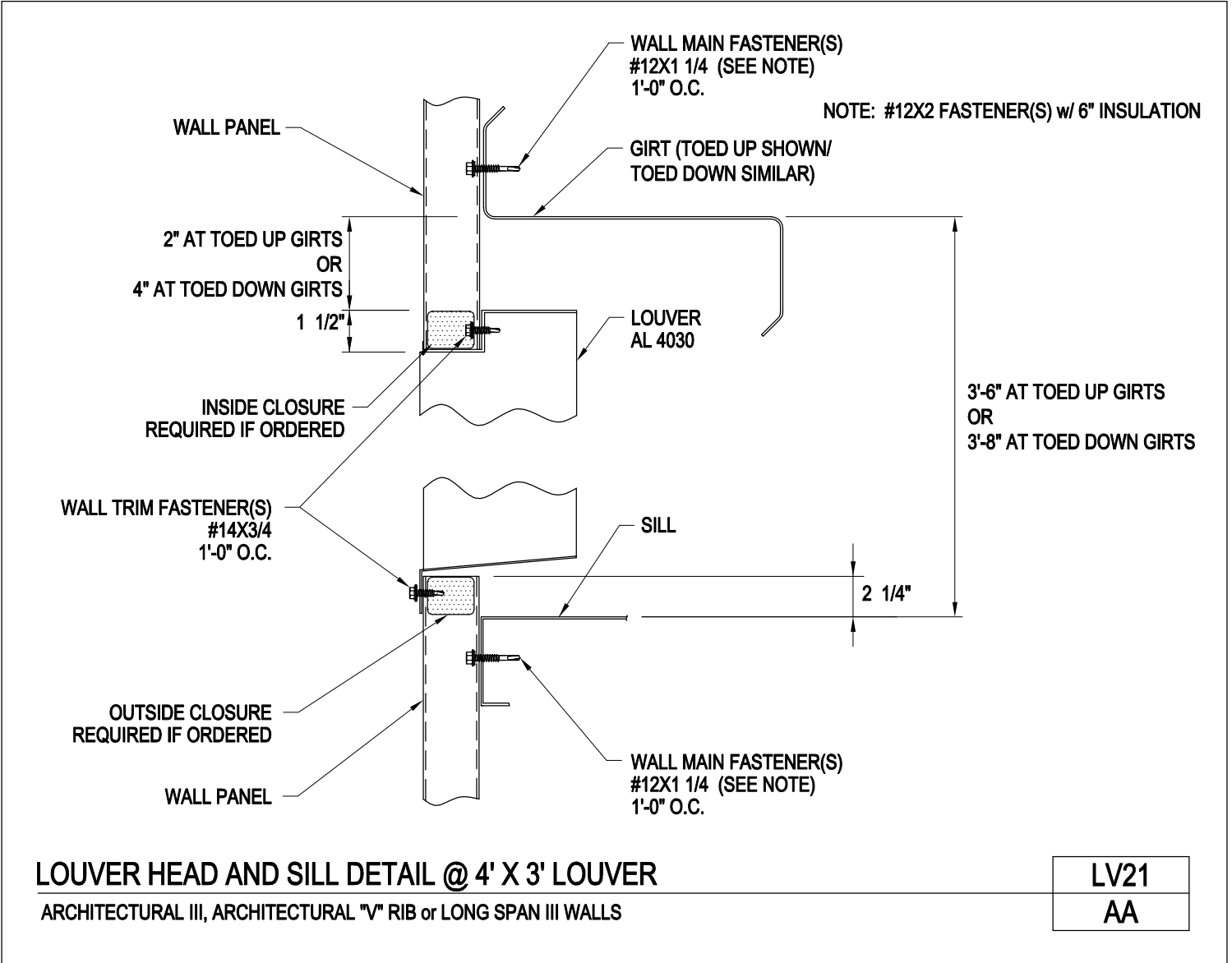
[To Section Index](#)

Louver Details at 4' x 3' Louver
Architectural III Panel
LV01/AC



[Download the DWG file by clicking here.](#)

Louver Head and Sill Detail @ 4' x 3' Louver
 Architectural III, Architectural "V" Rib or Longspan III Walls
 LV21/AA

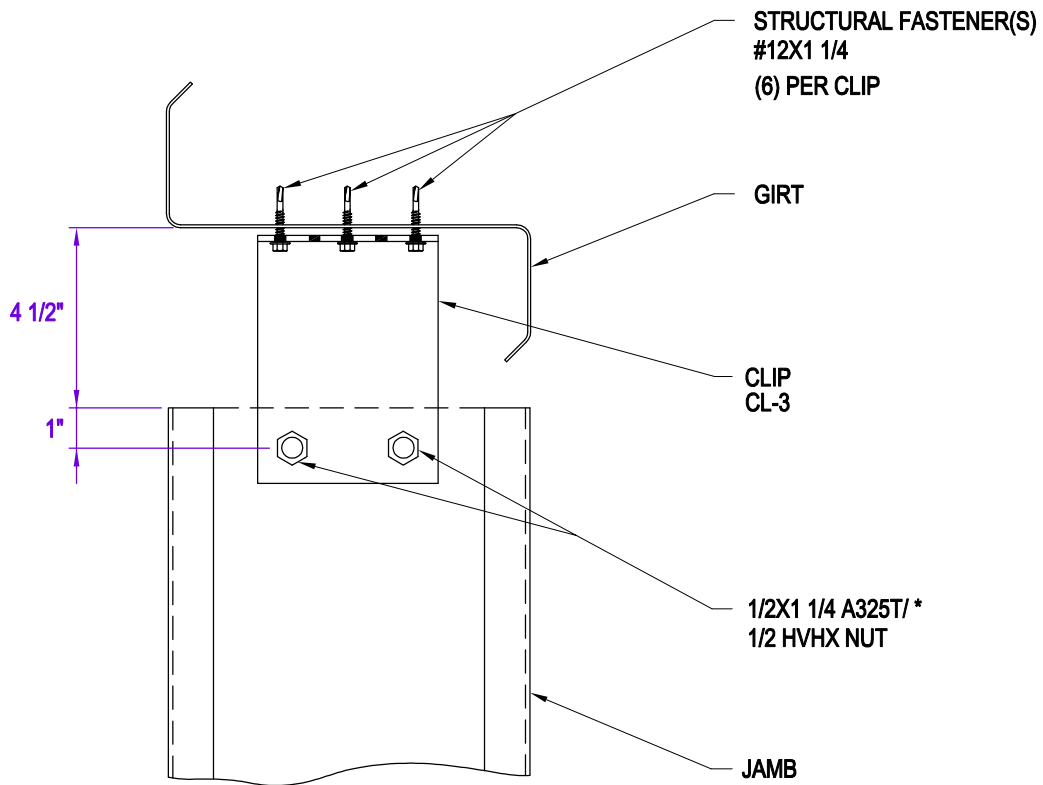


[Download the DWG file by clicking here.](#)

[To Section Index](#)

Jamb to Girt Connection

OF01/AA



* BUTTON HEAD BOLTS REQUIRED AT STRIP WINDOW

JAMB TO GIRT CONNECTION

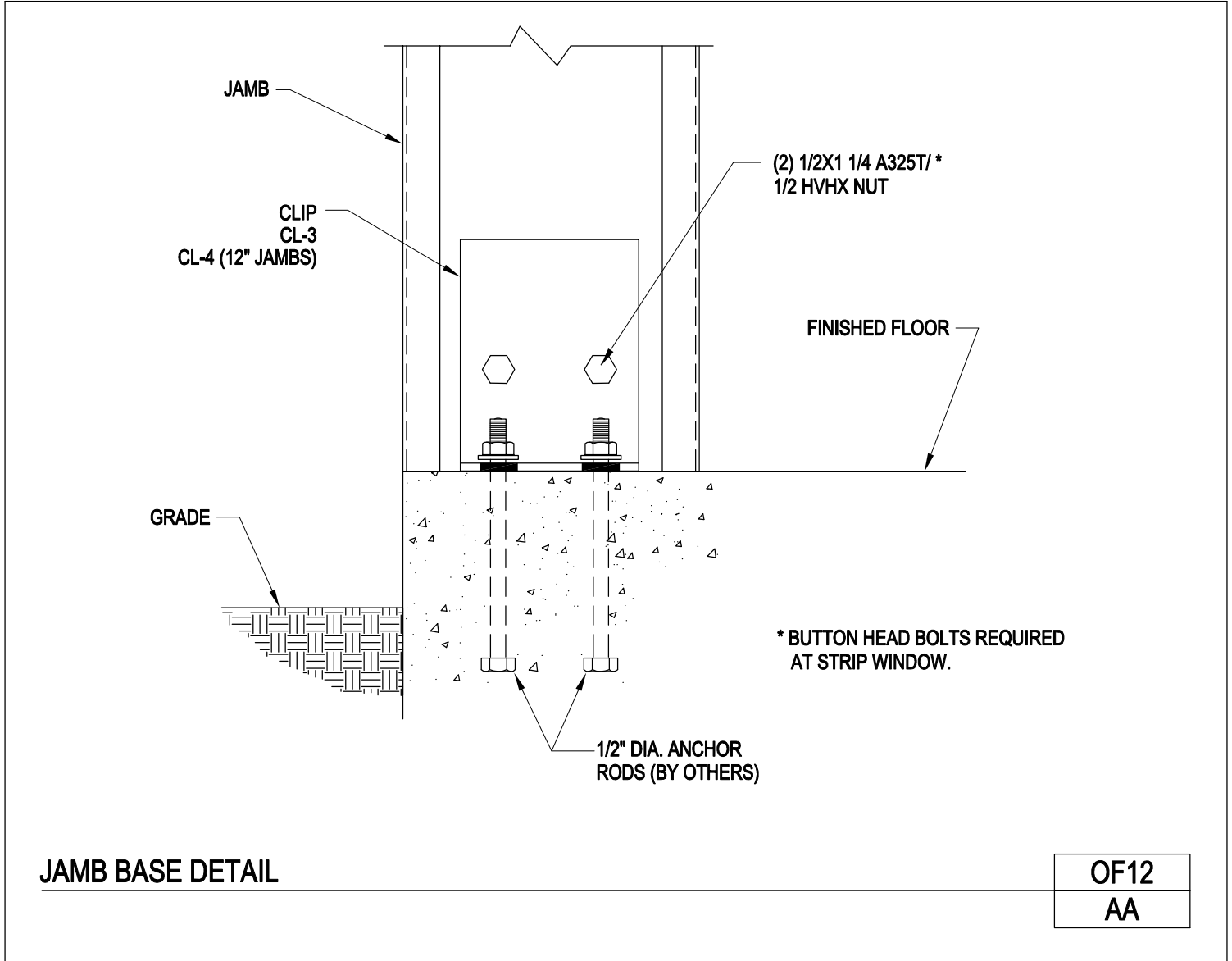
OF01
AA

[Download the DWG file by clicking here.](#)

[To Section Index](#)

Jamb Base Detail

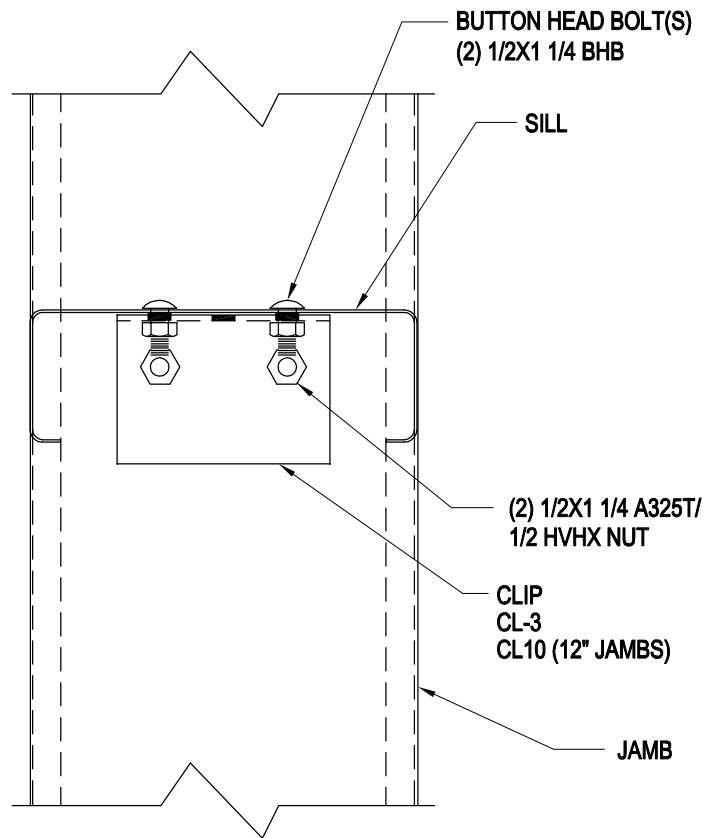
OF12/AA



[Download the DWG file by clicking here.](#)

[To Section Index](#)

Sill to Jamb Connection
8", 9" and 12' Sills
OF26/AA



SILL TO JAMB CONNECTION
8", 9 1/2" AND 12" SILLS

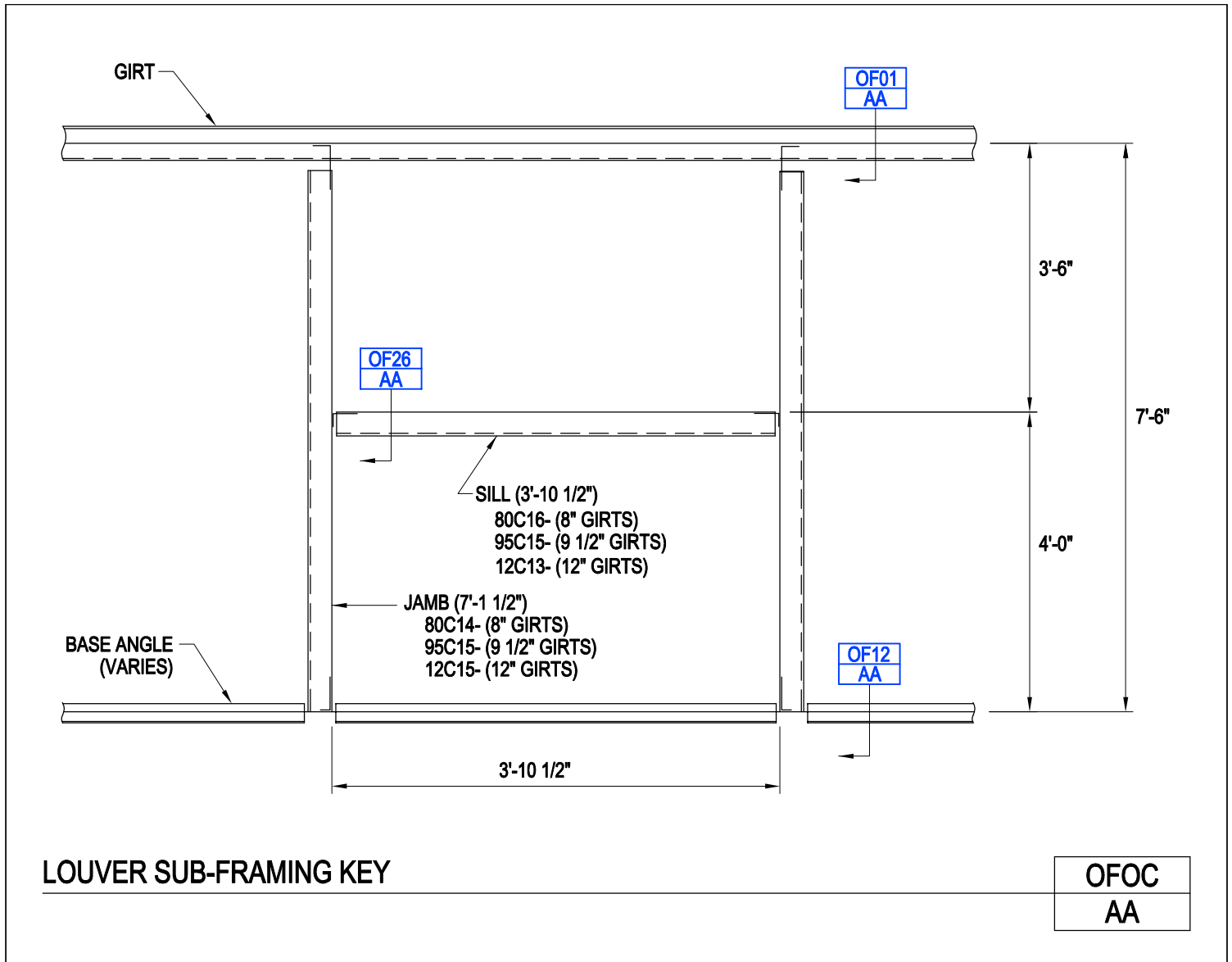
OF26
AA

[Download the DWG file by clicking here.](#)

[To Section Index](#)

Louver Sub-Framing Key

OFOC/AA



[Download the DWG file by clicking here.](#)

[To Section Index](#)