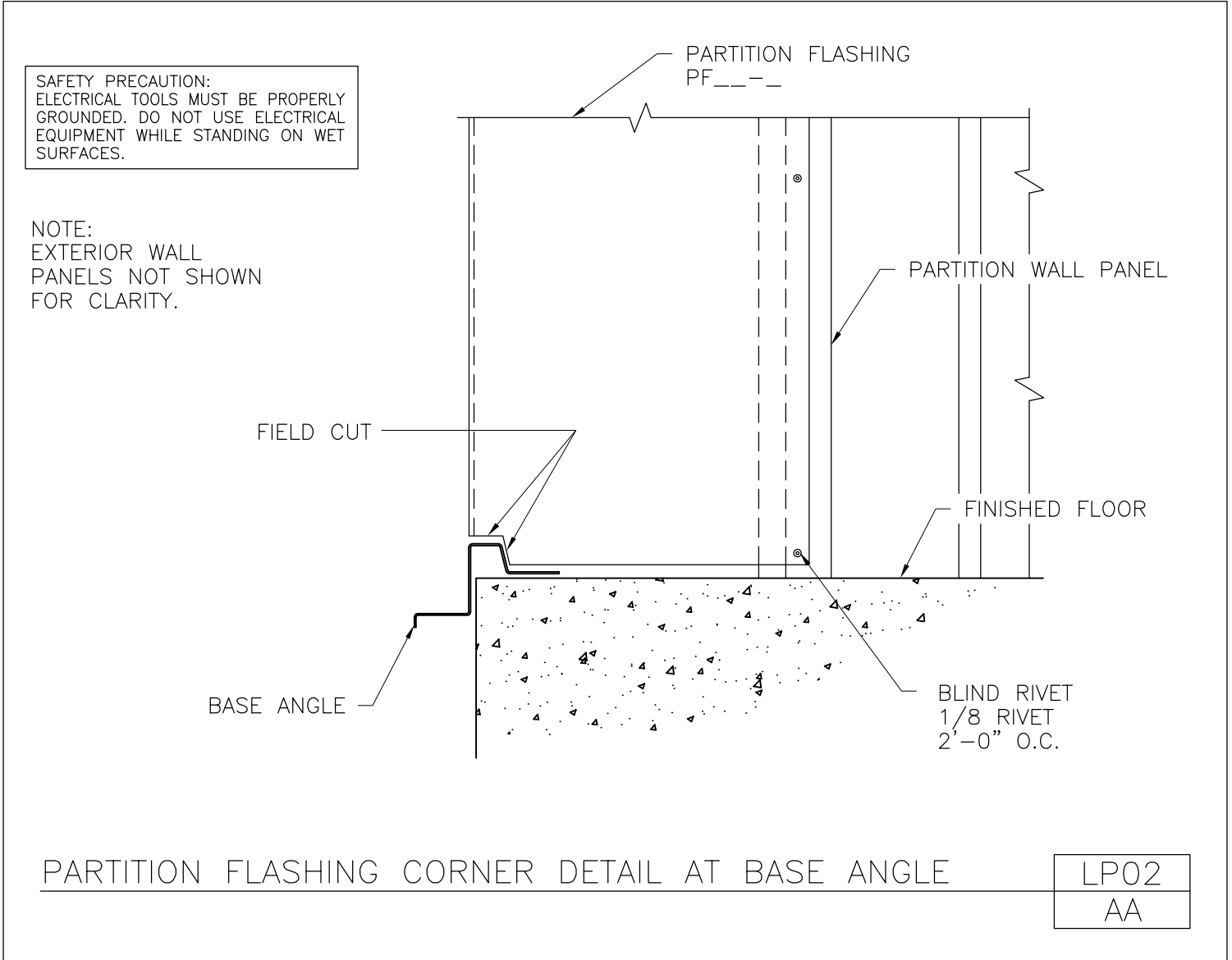


Product Manual - Partition Wall Details

LP02/AA, Partition Flashing Corner Detail at Base Angle
LP03/AB, Section Through Partition Corner at Base Angle
LP04/AB, Transverse Partition Elevation
LP10/AA, Partition Flashing Detail at Eave Strut
LP11/AA, Notching Detail For Partition Flashing
LP12/AA, Notching Detail for Partition Flashing
LP13/AA, Notching Details for Partition Flashing
LP14/AA, Notching at Ridge Partition Flashing
LP15/AA, Notching Detail for Partition Flashing
LP22/AA, Partition Flashing Detail at Purlin
LP23/AB, Section Through Partition at Purlin

Partition Flashing Corner Detail at Base Angle

LP02/AA

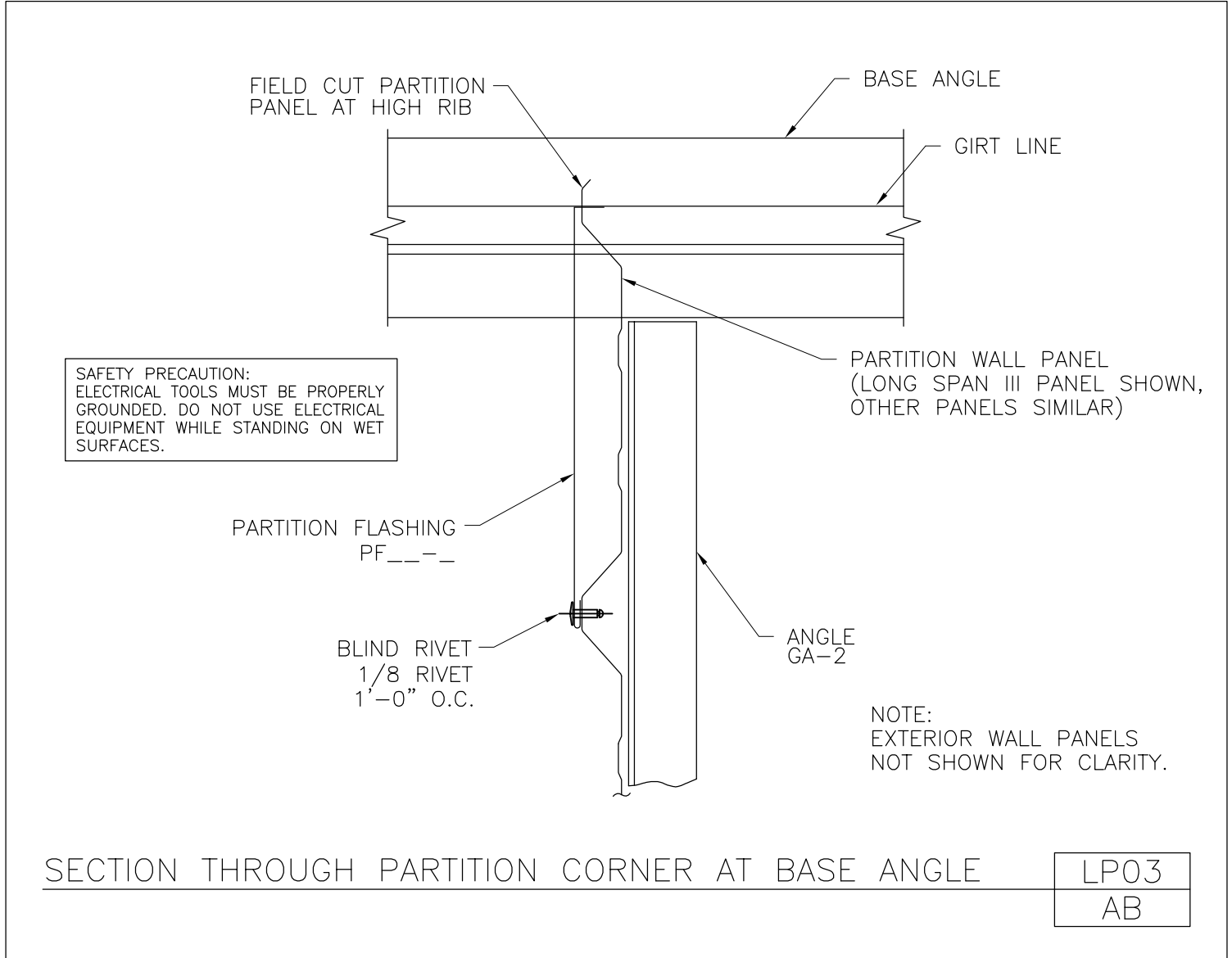


[Download the DWG file by clicking here.](#)

[To Section Index](#)

Section Through Partition Corner at Base Angle

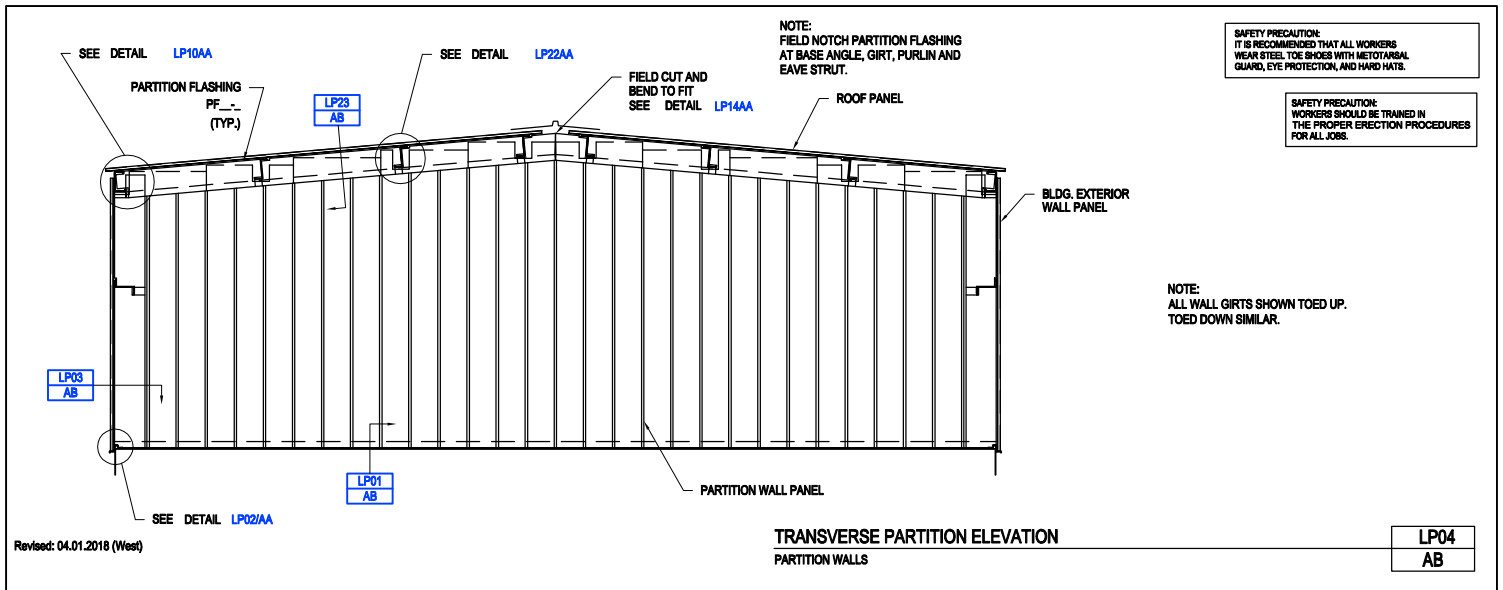
LP03/AB



[Download the DWG file by clicking here.](#)

[To Section Index](#)

Transverse Partition Elevation
Partition Walls
LP04/AB

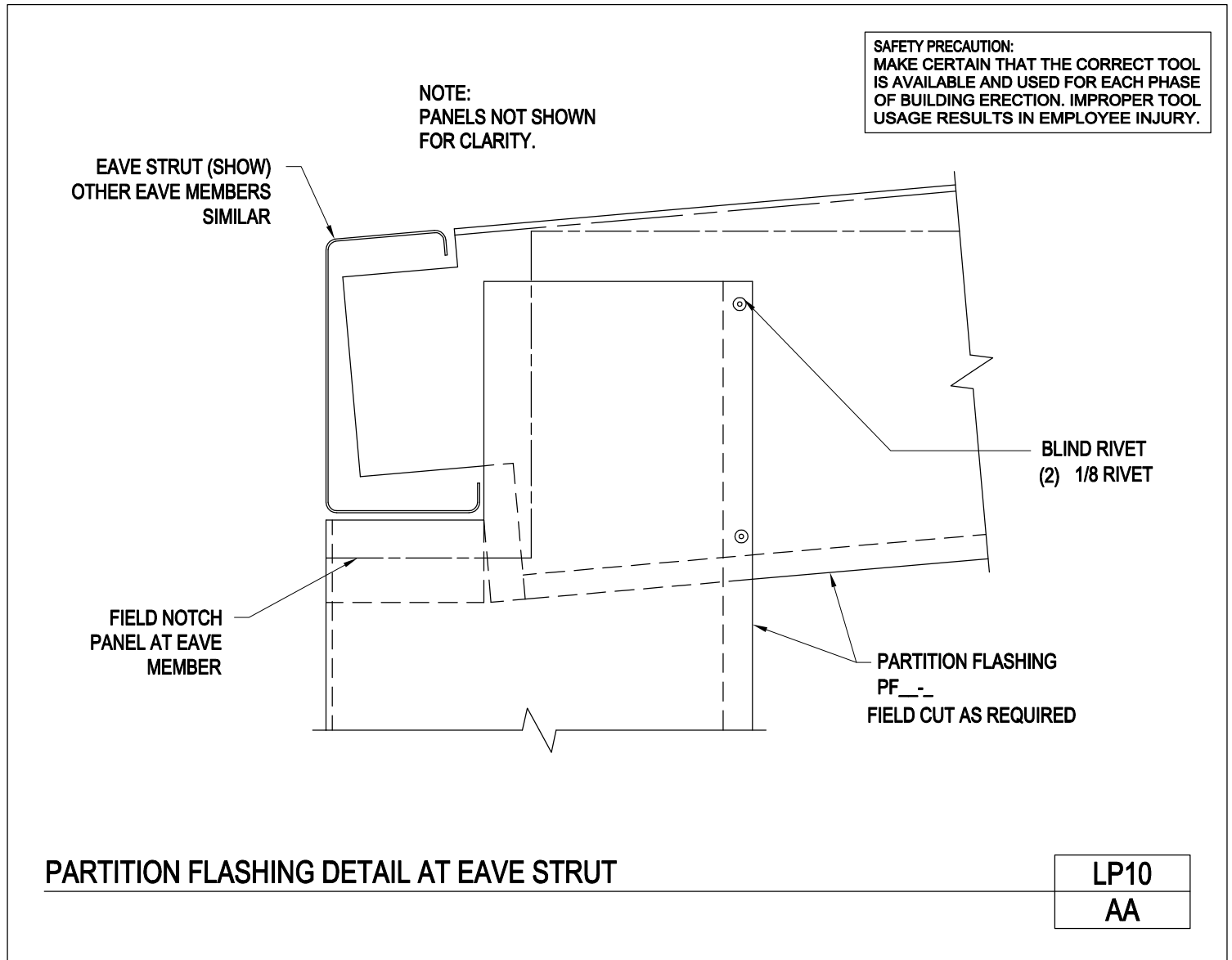


[Download the DWG file by clicking here.](#)

[To Section Index](#)

Partition Flashing Detail at Eave Strut

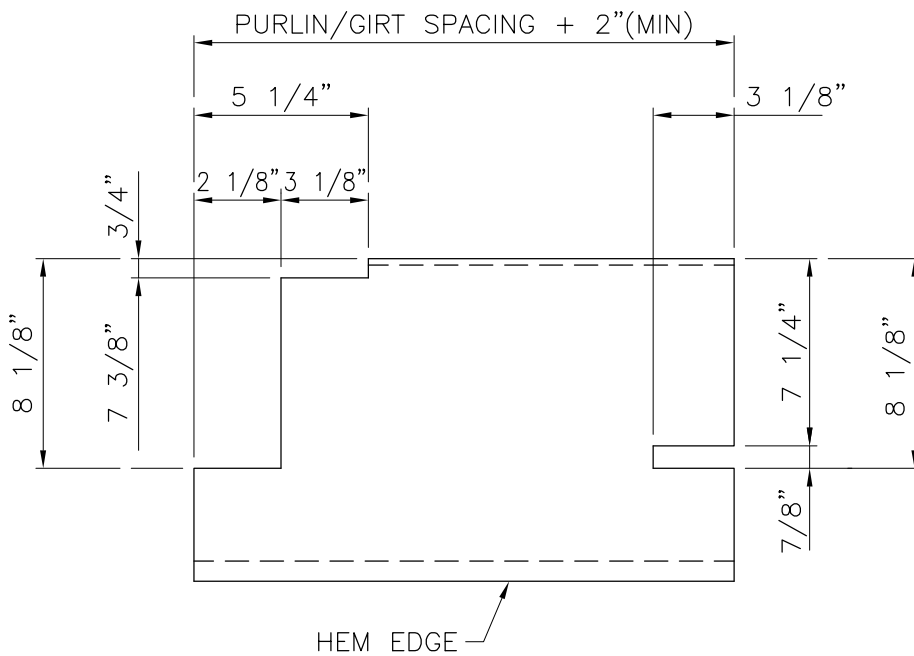
LP10/AA



[Download the DWG file by clicking here.](#)

[To Section Index](#)

Notching Detail For Partition Flashing
8" Zee Section
LP11/AA



SAFETY PRECAUTION:
WORKERS SHOULD ALWAYS WEAR GLOVES WHEN HANDLING METAL SURFACES WITH SHARP EDGES.

NOTCHING DETAIL FOR 8" PURLINS OR GIRTS

FIELD CUT PARTITION FLASHING (PF__-__) TO THE REQUIRED LENGTH AND NOTCH ENDS FOR PURLIN/GIRT CLEARANCE AS INDICATED ABOVE.

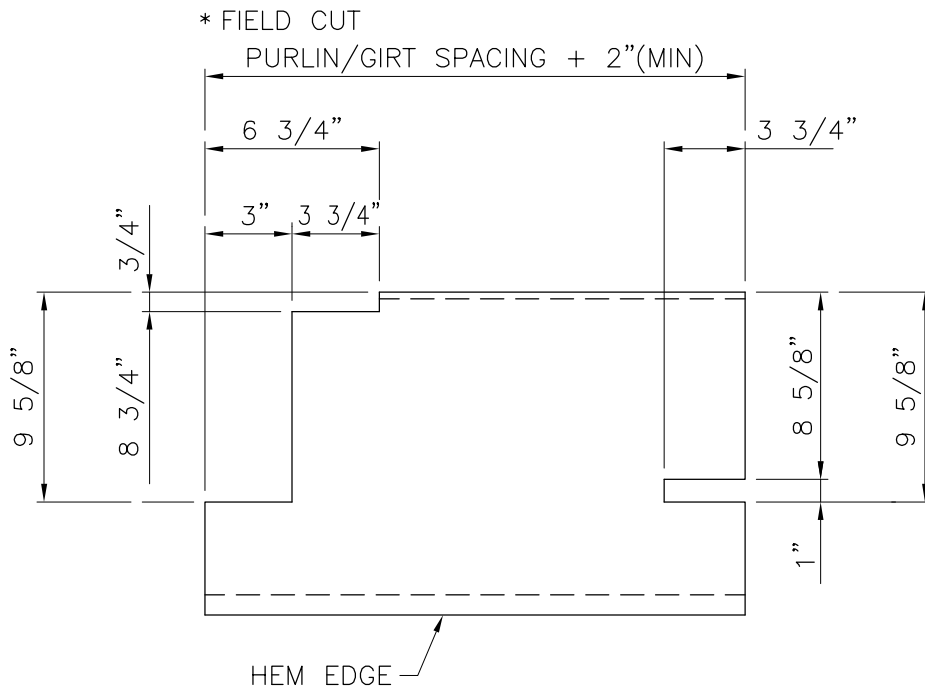
NOTCHING DETAIL FOR PARTITION FLASHING
8" ZEE SECTION

LP11
AA

[Download the DWG file by clicking here.](#)

[To Section Index](#)

Notching Detail for Partition Flashing
9 1/2" Zee Section
LP12/AA



SAFETY PRECAUTION:
WORKERS SHOULD ALWAYS WEAR
GLOVES WHEN HANDLING METAL
SURFACES WITH SHARP EDGES.

NOTCHING DETAIL FOR 9 1/2" PURLINS OR GIRTS

* FIELD CUT PARTITION FLASHING (PF__-__) TO THE REQUIRED LENGTH AND NOTCH ENDS FOR PURLIN/GIRT CLEARANCE AS INDICATED ABOVE.

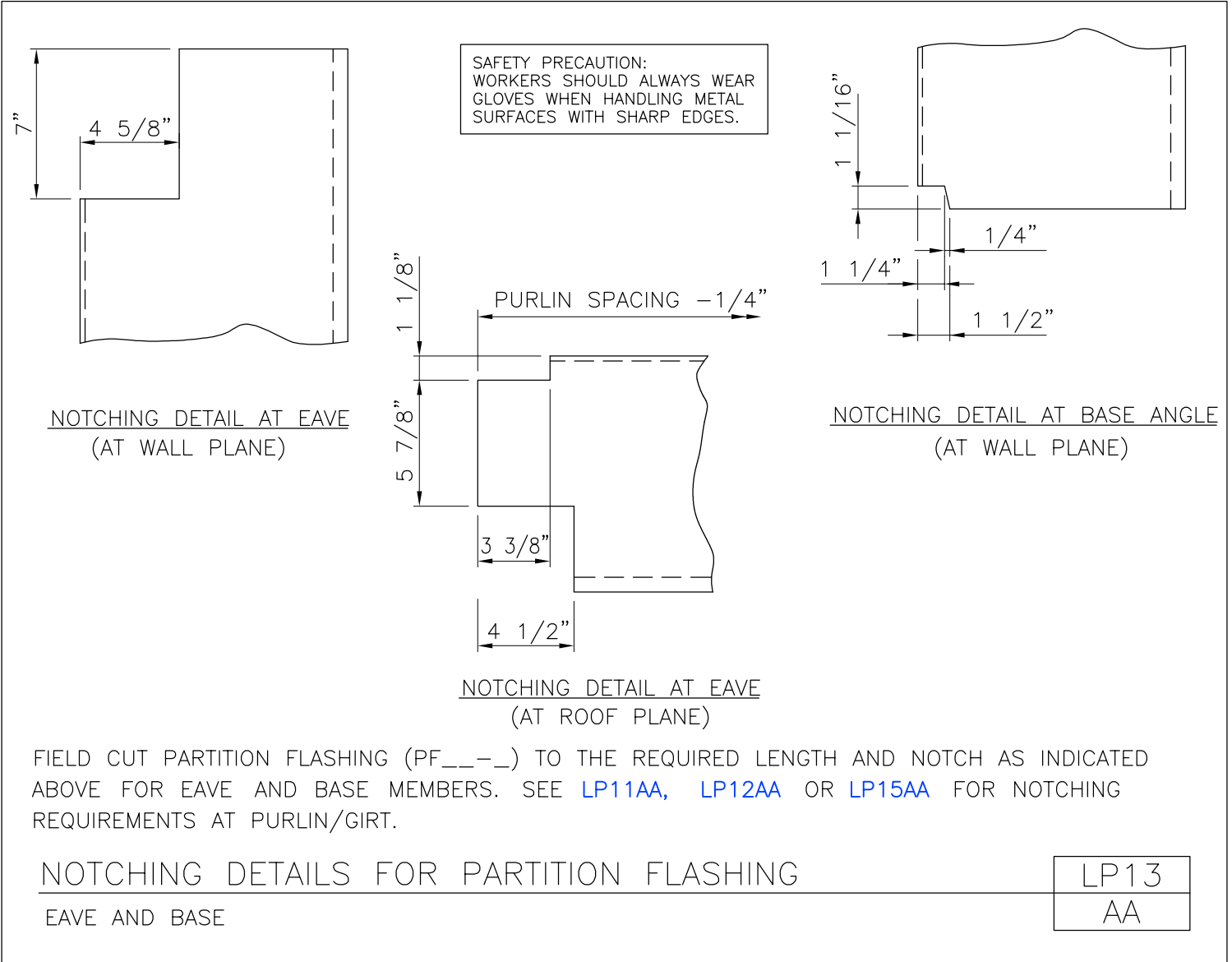
NOTCHING DETAIL FOR PARTITION FLASHING
9 1/2" ZEE SECTION

LP12
AA

[Download the DWG file by clicking here.](#)

[To Section Index](#)

Notching Details for Partition Flashing
Eave and Base
LP13/AA



[Download the DWG file by clicking here.](#)

[To Section Index](#)

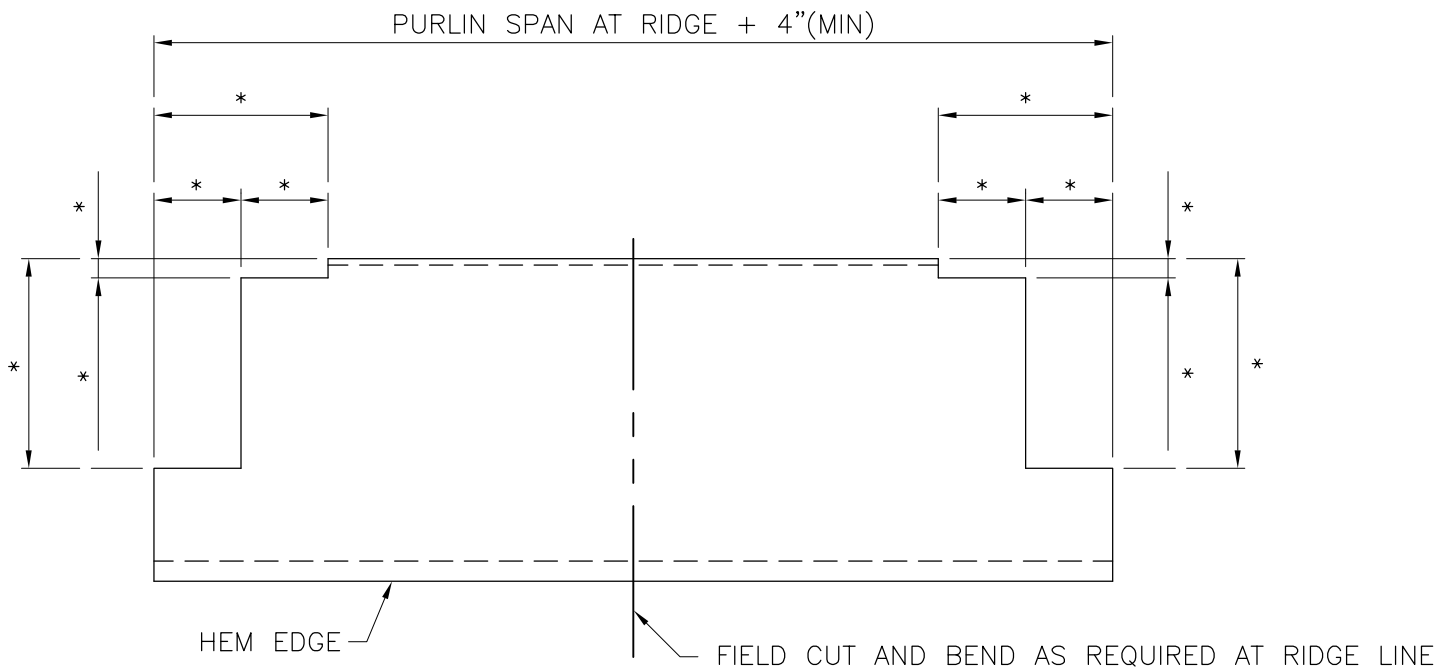
Notching at Ridge Partition Flashing

LP14/AA

NOTE:

FIELD CUT PARTITION FLASHING (PF__-__) TO THE REQUIRED LENGTH AND NOTCH ENDS FOR PURLIN CLEARANCE AS INDICATED.

SAFETY PRECAUTION:
WORKERS SHOULD ALWAYS WEAR GLOVES WHEN HANDLING METAL SURFACES WITH SHARP EDGES.



* SEE APPROPRIATE NOTCHING DETAIL
8" ZEE - REFER TO [LP11AA](#)
9 1/2" ZEE - REFER TO [LP12AA](#)
12" ZEE - REFER TO [LP15AA](#)

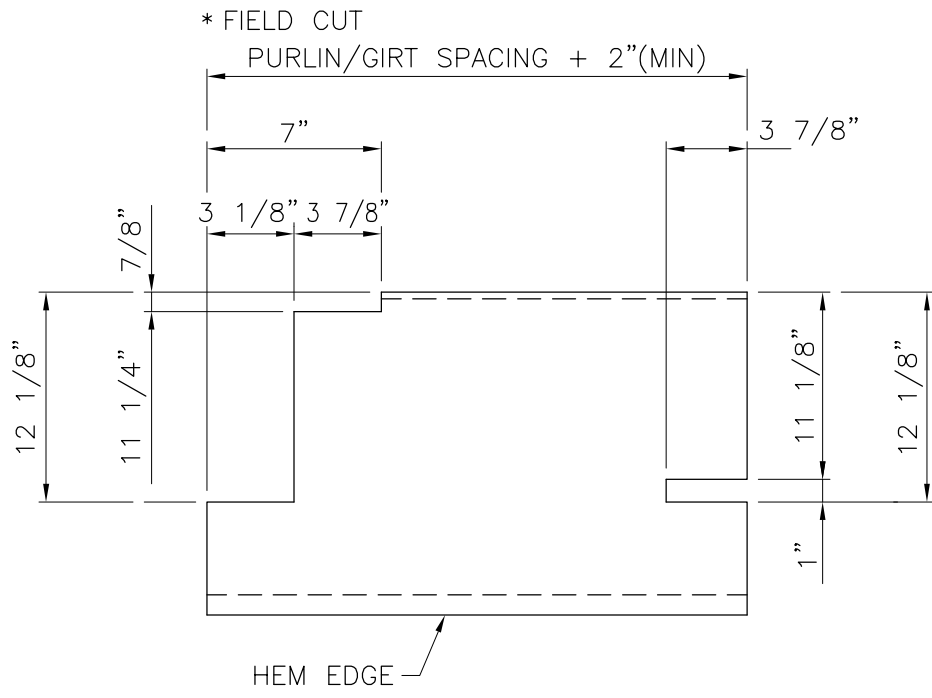
NOTCHING AT RIDGE PARTITION FLASHING

LP14
AA

[Download the DWG file by clicking here.](#)

[To Section Index](#)

Notching Detail for Partition Flashing
12" Zee Section
LP15/AA



SAFETY PRECAUTION:
WORKERS SHOULD ALWAYS WEAR GLOVES WHEN HANDLING METAL SURFACES WITH SHARP EDGES.

NOTCHING DETAIL FOR 12" PURLINS OR GIRTS

* FIELD CUT PARTITION FLASHING (PF__-__) TO THE REQUIRED LENGTH AND NOTCH ENDS FOR PURLIN/GIRT CLEARANCE AS INDICATED ABOVE.

NOTCHING DETAIL FOR PARTITION FLASHING
12" ZEE SECTION

LP15
AA

[Download the DWG file by clicking here.](#)

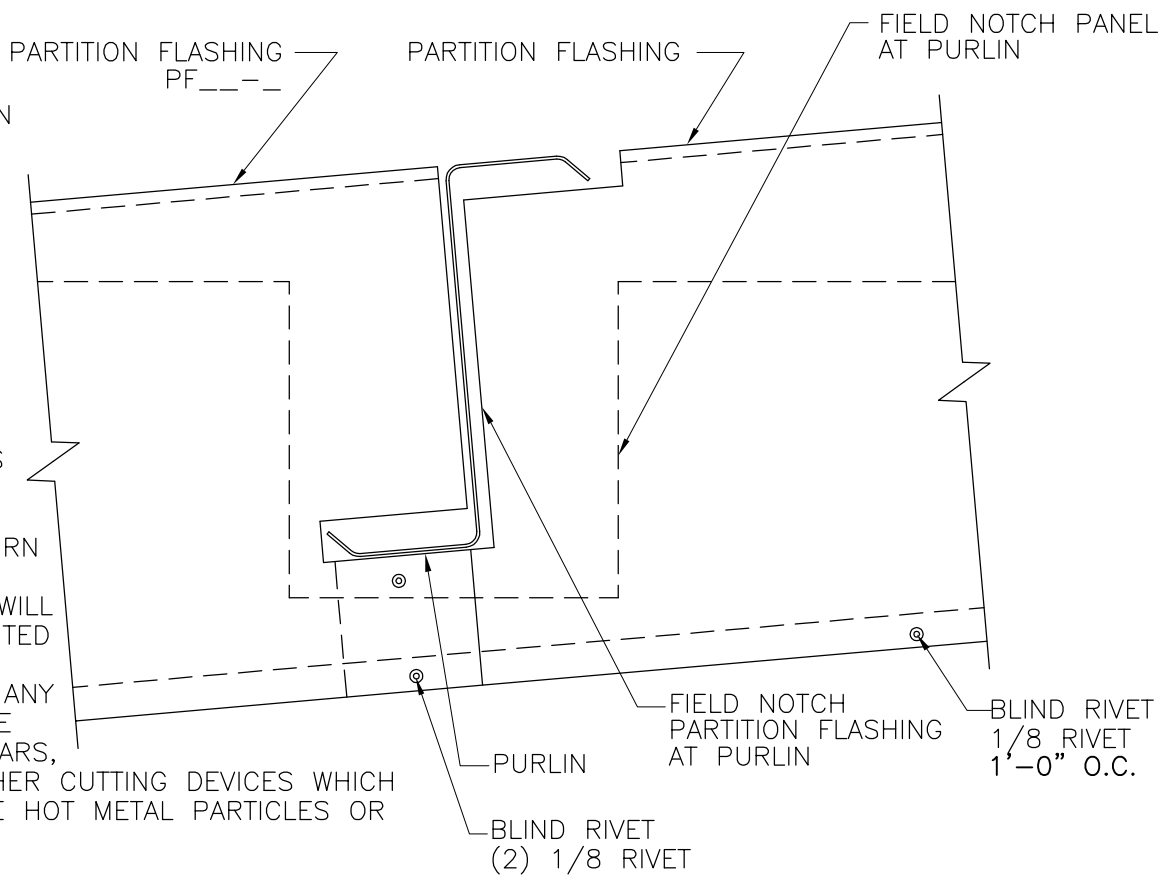
[To Section Index](#)

Partition Flashing Detail at Purlin
Similar at Wall Panels
LP22/AA

SAFETY PRECAUTION:
WORKER PERSONAL PROTECTION EQUIPMENT
SHOULD ALWAYS MEET OSHA STANDARDS.

NOTE:
PANELS NOT SHOWN
FOR CLARITY.

NOTE:
WHEN FIELD
CUTTING PANELS
OR TRIM DO NOT
USE ABRASIVE
SAWS OR OTHER
CUTTING METHODS
WHICH PRODUCE
HOT METAL
PARTICLES OR BURN
THE CUT EDGES.
THESE METHODS WILL
DAMAGE THE PAINTED
AND GALVALUME
FINISH AND VOID ANY
WARRANTIES. USE
DOUBLE CUT SHEARS,
NIBBLERS OR OTHER CUTTING DEVICES WHICH
DO NOT PRODUCE HOT METAL PARTICLES OR
BURNED EDGES.



PARTITION FLASHING DETAIL AT PURLIN
SIMILAR AT WALL PANELS

LP22
AA

[Download the DWG file by clicking here.](#)

[To Section Index](#)

Section Through Partition at Purlin

LP23/AB

