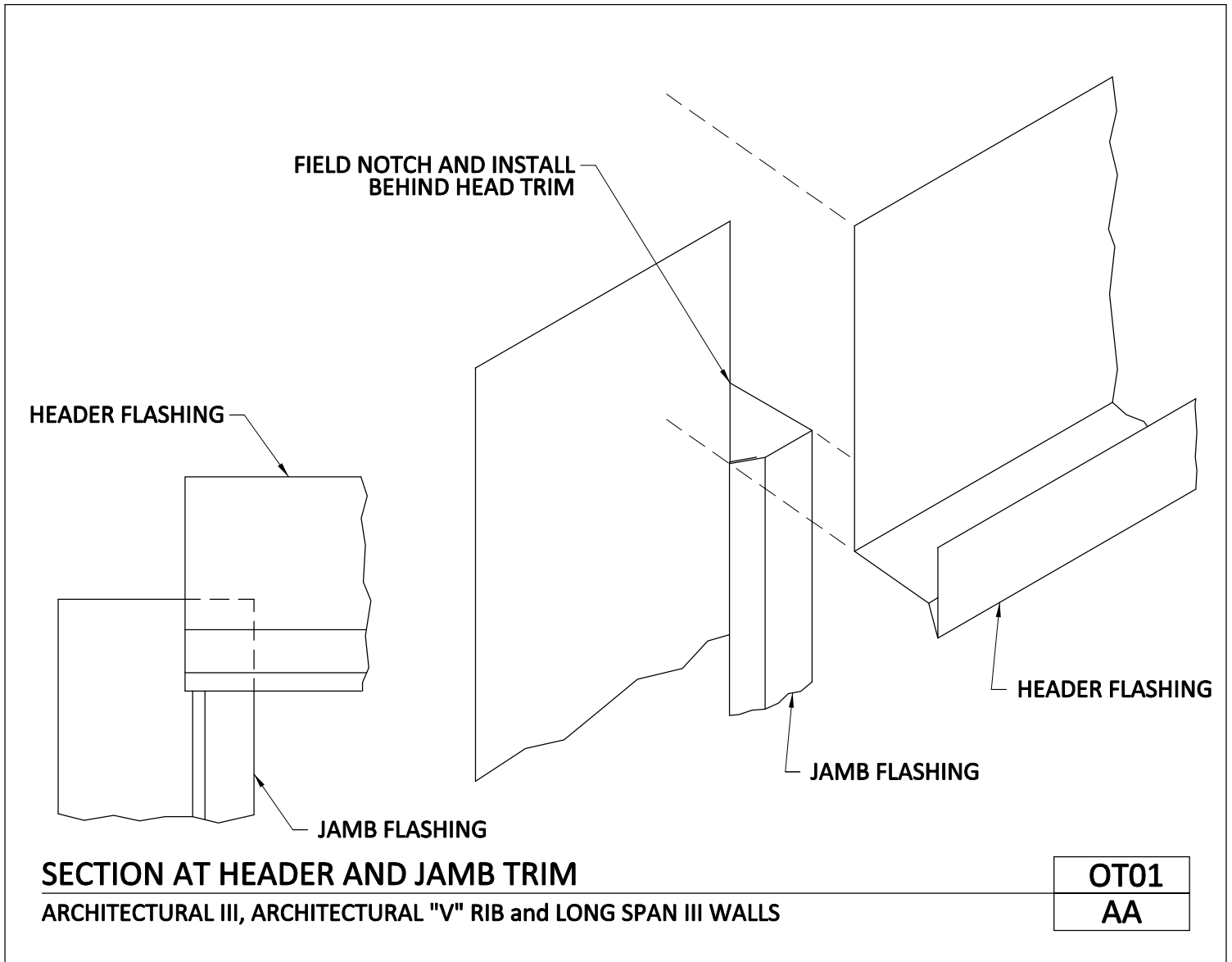


# Product Manual - Personnel Doors

---

OT01/AA, Section at Header and Jamb Trim  
WD04/AB, Walkdoor Jamb Details at 3'-6" Girt (8" Girt)  
WD04N/AB, Walkdoor Jamb Details at 3'-6" Girt w/ 9 1/2" & 12" Girts  
WD05/AB, Walkdoor Base Angle Notch Detail  
WD05/AD, Walkdoor Base Angle Notch Detail  
WD07A/AB, Assembly Detail for Walkdoor Frame  
WD07/AB, Assembly Detail for Walkdoor Frame  
WD07/AD, Assembly Detail for Walkdoor Frame  
WD08/AA, Walkdoor Sub-Jamb Connection Details  
WD08/AD, Walkdoor Sub-Jamb Connection Details  
WD09/AB, Walkdoor Panel Ooenine  
WD09/AD, Walkdoor Flashing Installation  
WD10A/AD, Section at 4070 Walkdoor Jambs  
WD10/AB, Walkdoor Jamb Flashing Details  
WD10/AD, Section at 3070 Walkdoor Jambs  
WD10BT/AD, Section at 6070 Walkdoor Jambs  
WD11A/AD, Section at Walkdoor Header  
WD11/AB, Section Through Walkdoor Header  
WD 11/AD, Section at Walkdoor Header  
WD66/AD, Walkdoor Caulking Detail  
WD68/AA, Walkdoor Threshold Detail  
WD71/AA, Walkdoor Erection Procedures  
WD71/AD, Walkdoor Erection Procedures  
WWD10/AB, Walkdoor Jamb Flashing Details  
WWD11/AB, Section Through Walkdoor Header

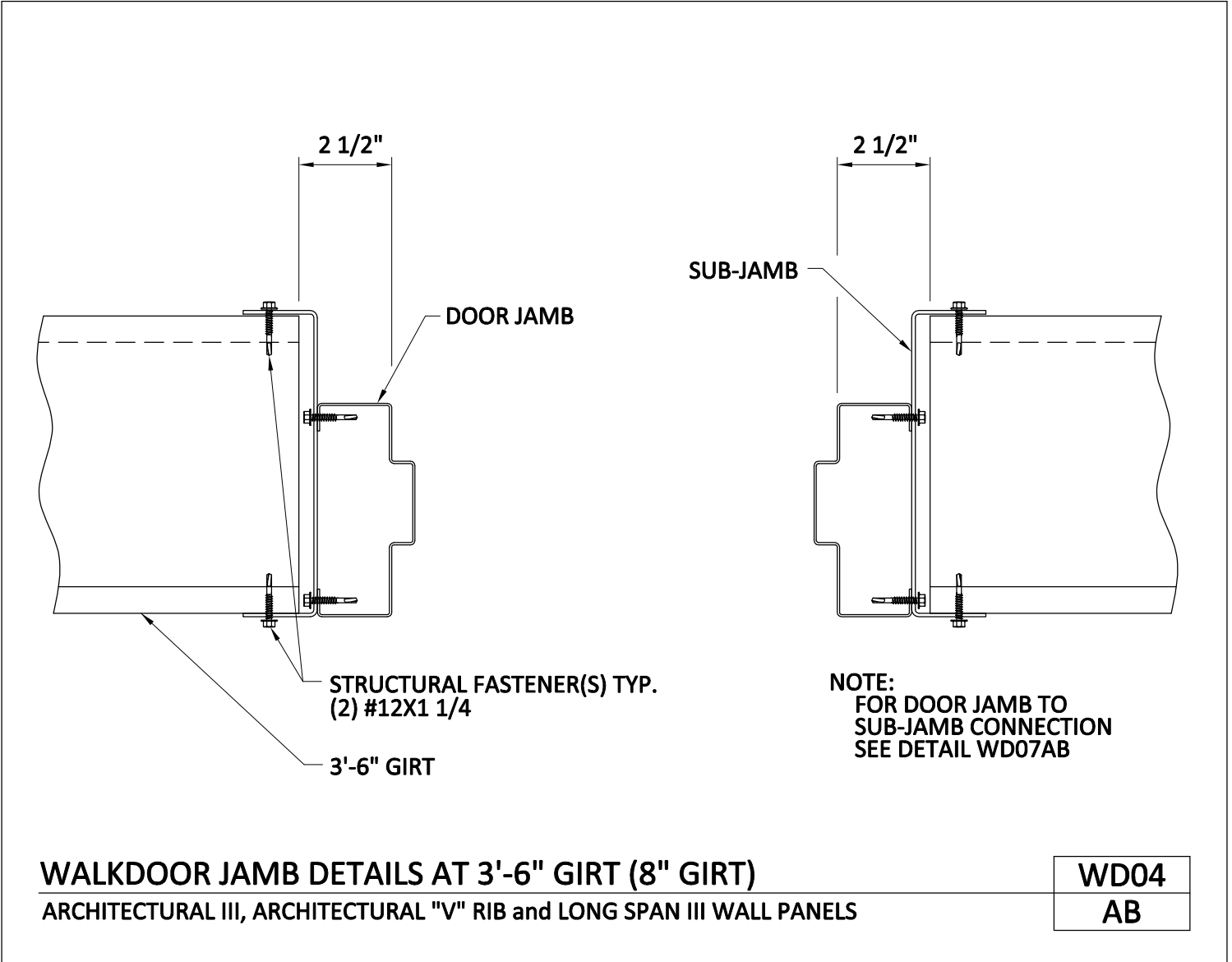
Section at Header and Jamb Trim  
Architectural III, Architectural "V" Rib and Long Span III Walls  
OT01/AA



[Download the DWG file by clicking here.](#)

[To Section Index](#)

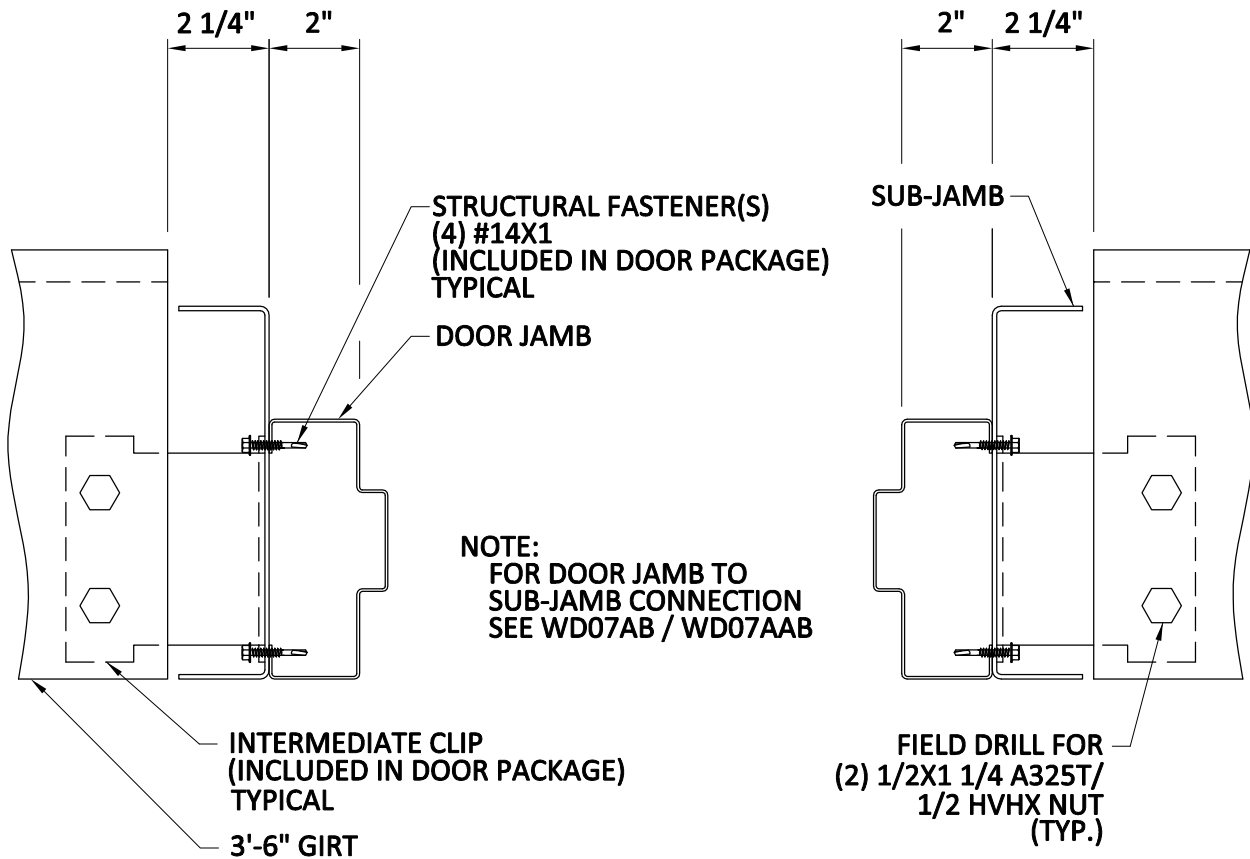
Walkdoor Jamb Details at 3'-6" Girt (8" Girt)  
Architectural III, Architectural "V" Rib, and Long Span III Wall Panels  
WD04/AB



[Download the DWG file by clicking here.](#)

[To Section Index](#)

Walkdoor Jamb Details at 3'-6" Girt w/ 9 1/2" & 12" Girts  
 Architectural III, Architectural "V" Rib, and Long Span III Wall Panels  
 WD04N/AB



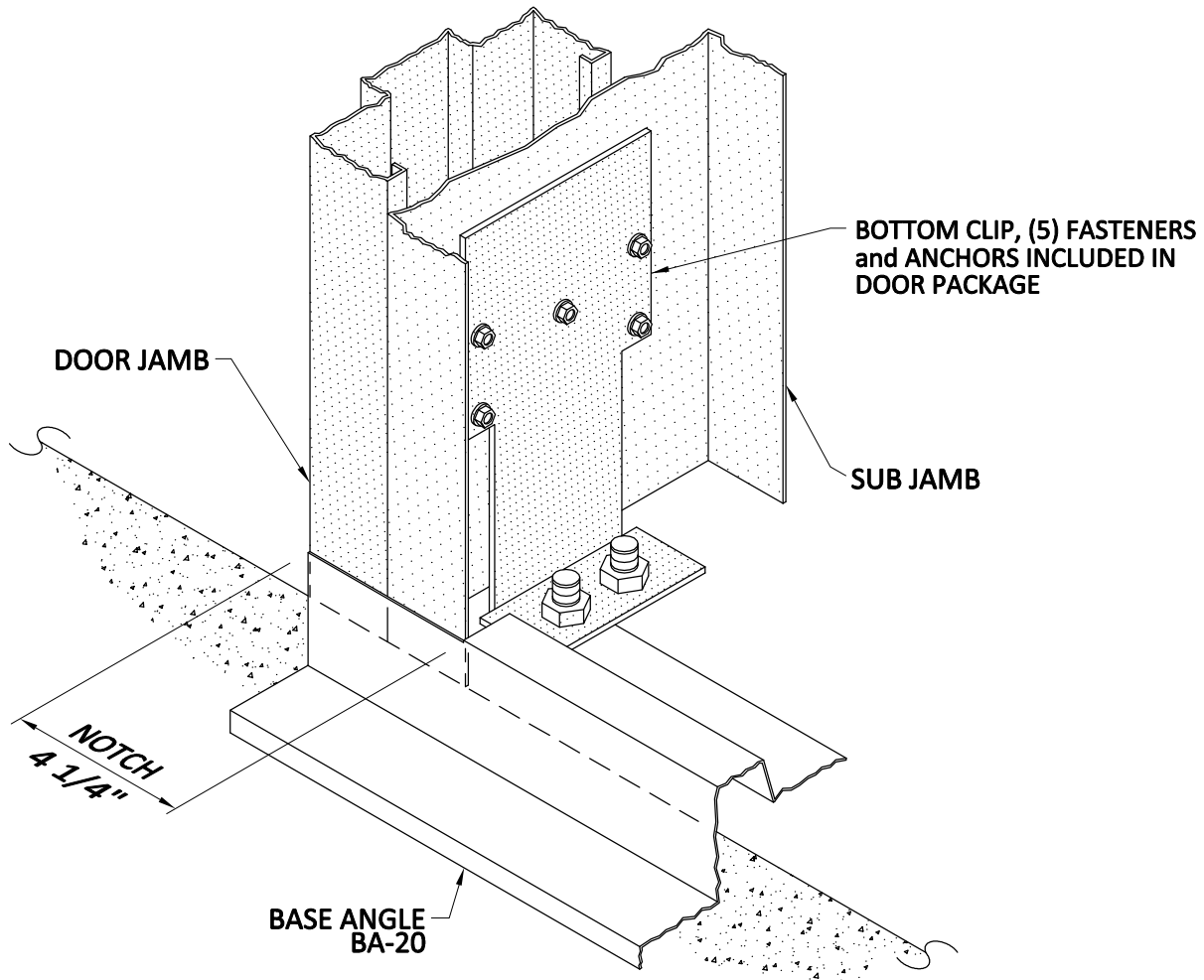
**WALKDOOR JAMB DETAILS AT 3'-6" GIRT w/ 9 1/2" & 12" GIRTS**  
 ARCHITECTURAL III, ARCHITECTURAL "V" RIB and LONG SPAN III WALL PANELS

<b>WD04N</b>
<b>AB</b>

[Download the DWG file by clicking here.](#)

[To Section Index](#)

Walkdoor Base Angle Notch Detail  
Architectural III, Architectural "V" Rib and Long Span III Walls  
WD05/AB



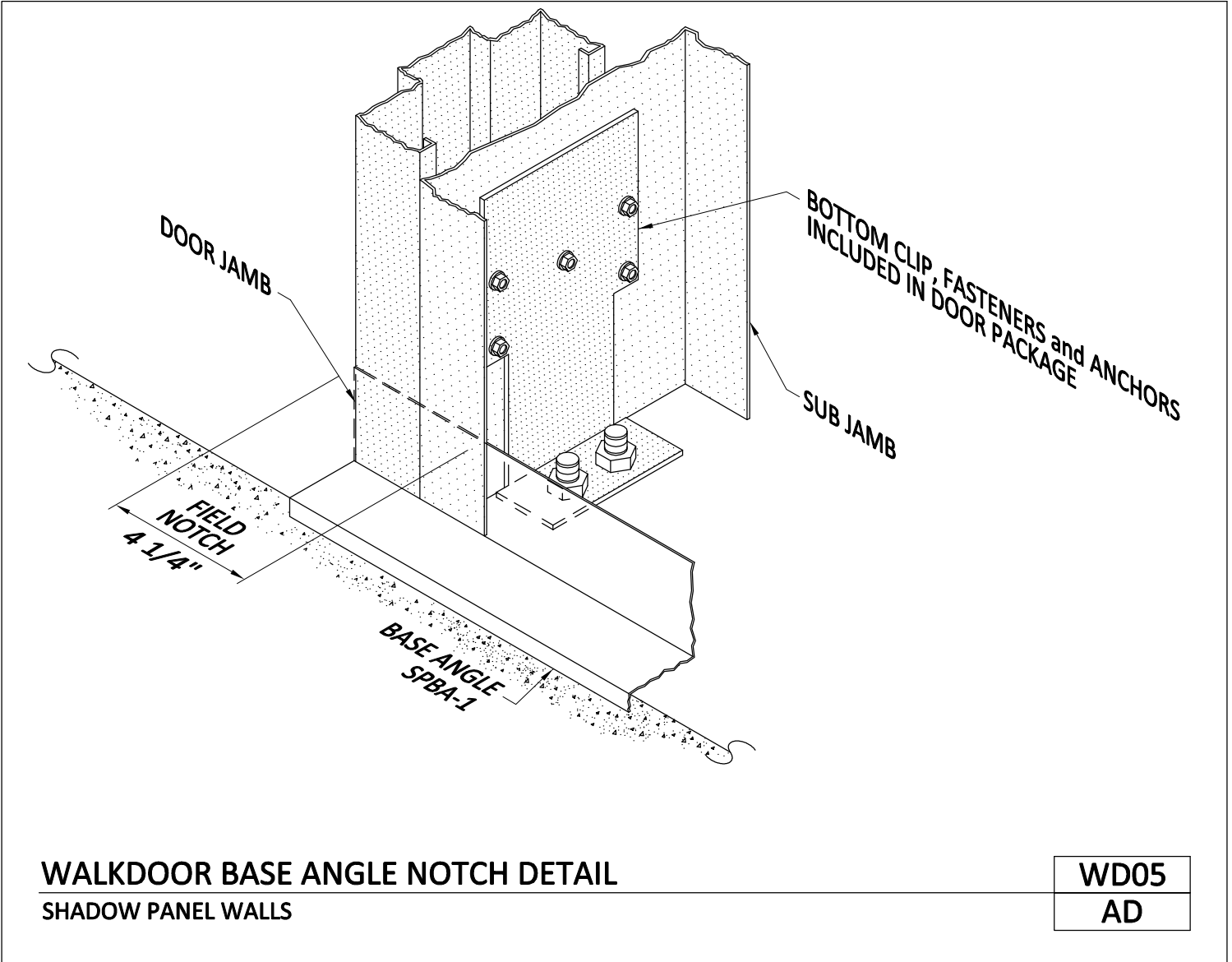
**WALKDOOR BASE ANGLE NOTCH DETAIL**  
ARCHITECTURAL III, ARCHITECTURAL "V" RIB and LONG SPAN III WALL PANELS

<b>WD05</b>
<b>AB</b>

[Download the DWG file by clicking here.](#)

[To Section Index](#)

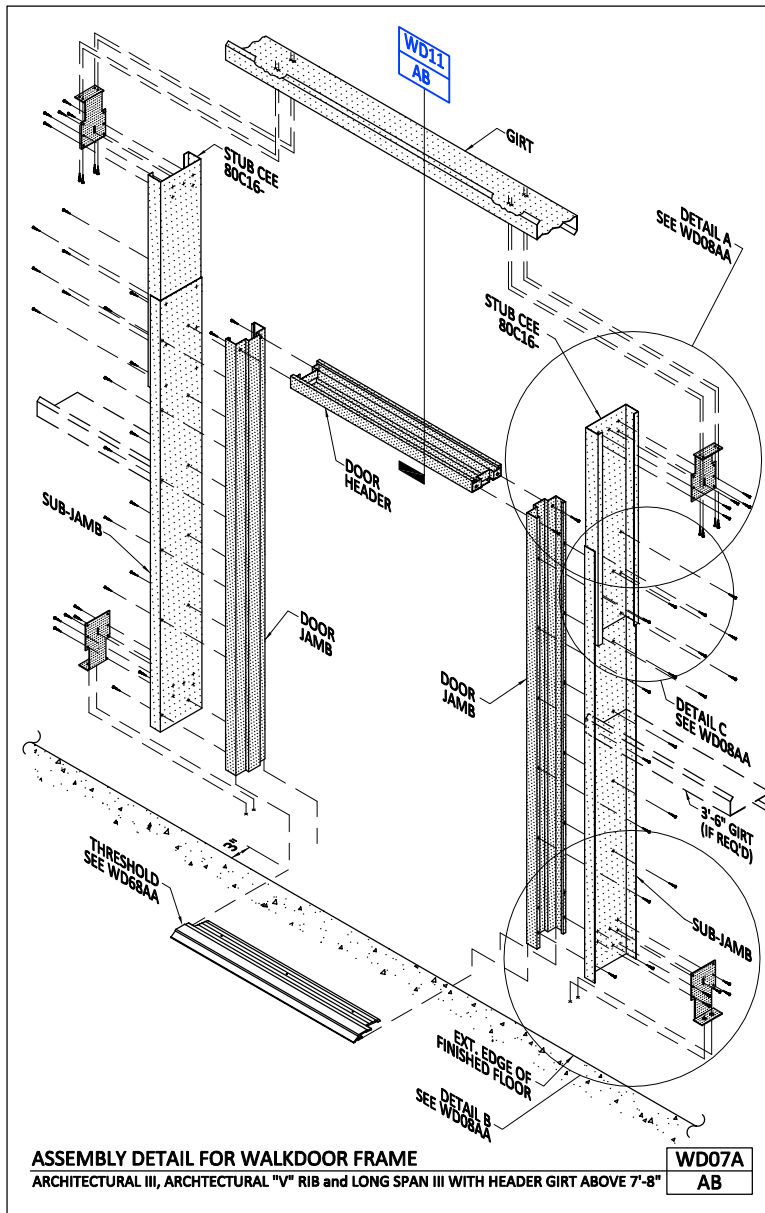
Walkdoor Base Angle Notch Detail  
Shadow Panel Walls  
WD05/AD



[Download the DWG file by clicking here.](#)

[To Section Index](#)

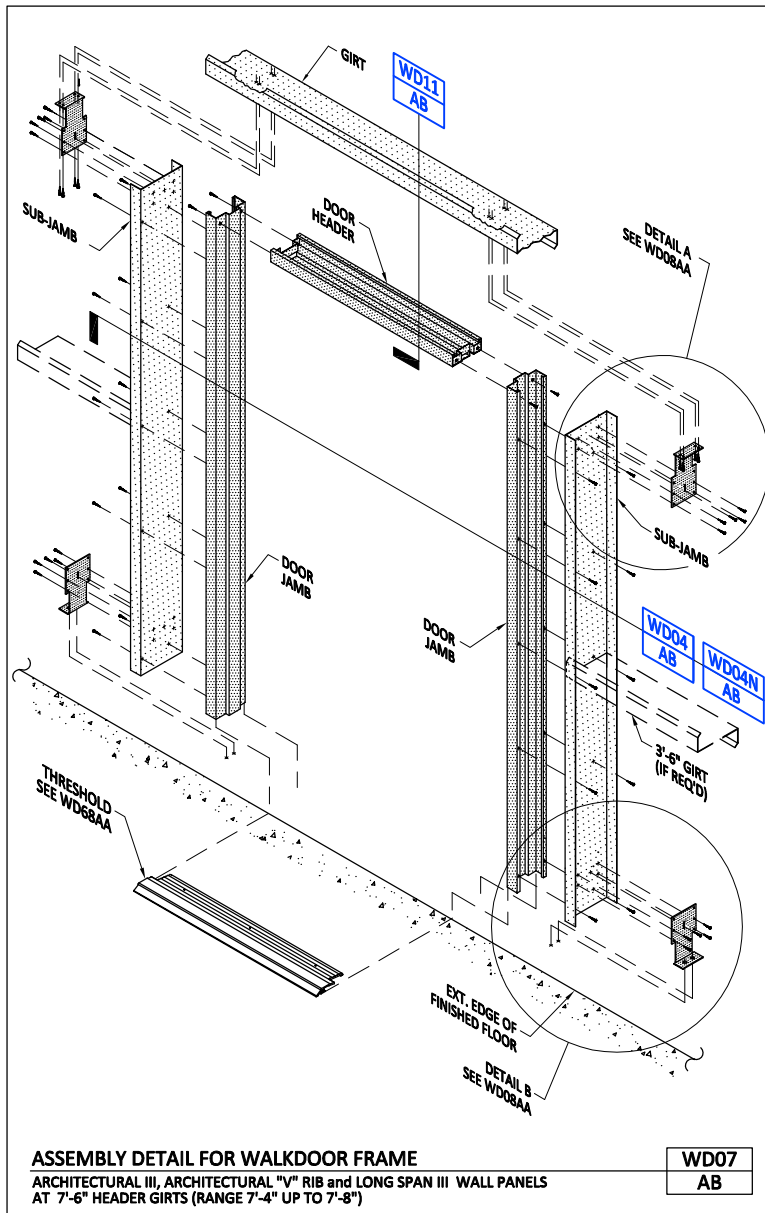
Assembly Detail for Walkdoor Frame  
Architectural III, Architectural "V" Rib, and Long Span III Wall Panels w/ Header Girt above 7'-8"  
WD07A/AB



[Download the DWG file by clicking here.](#)

[To Section Index](#)

Assembly Detail for Walkdoor Frame  
 Architectural III, Architectural "V" Rib, and Long Span III Wall Panels at 7'-6" Header Girts (Range 7'-4" to 7'-8")  
 WD07/AB

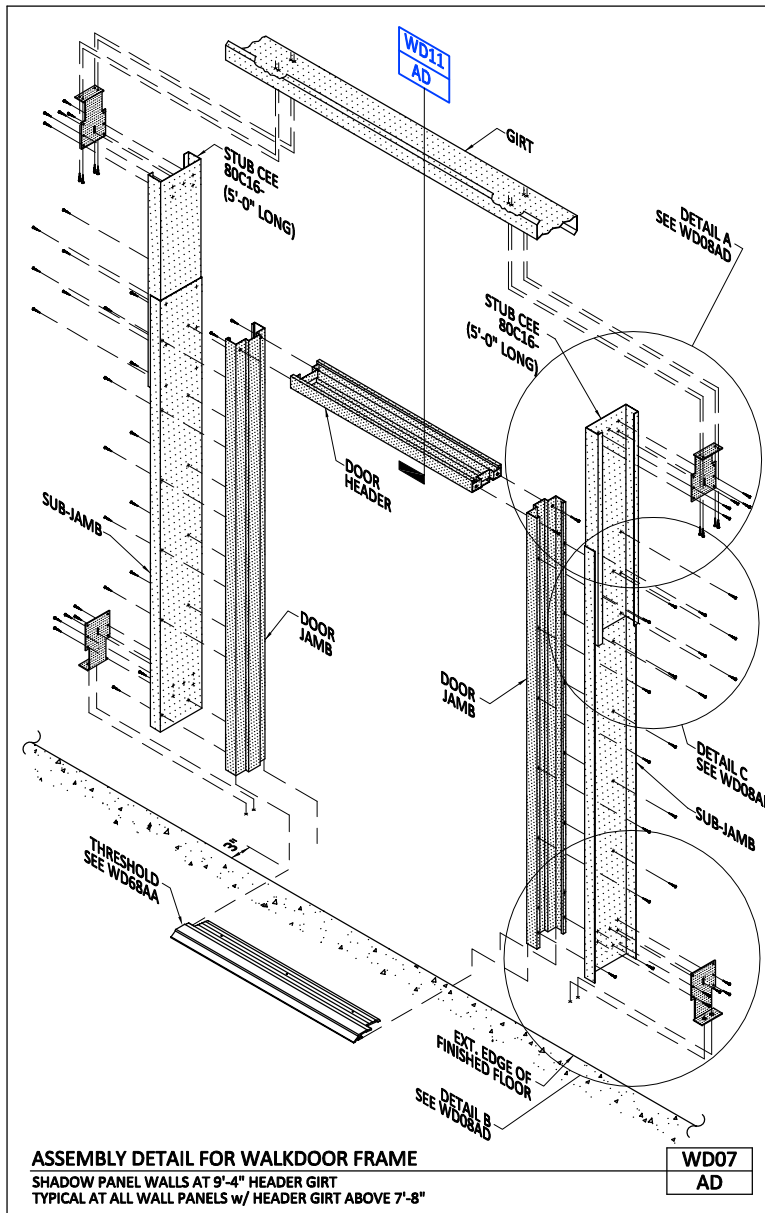


[Download the DWG file by clicking here.](#)

[To Section Index](#)



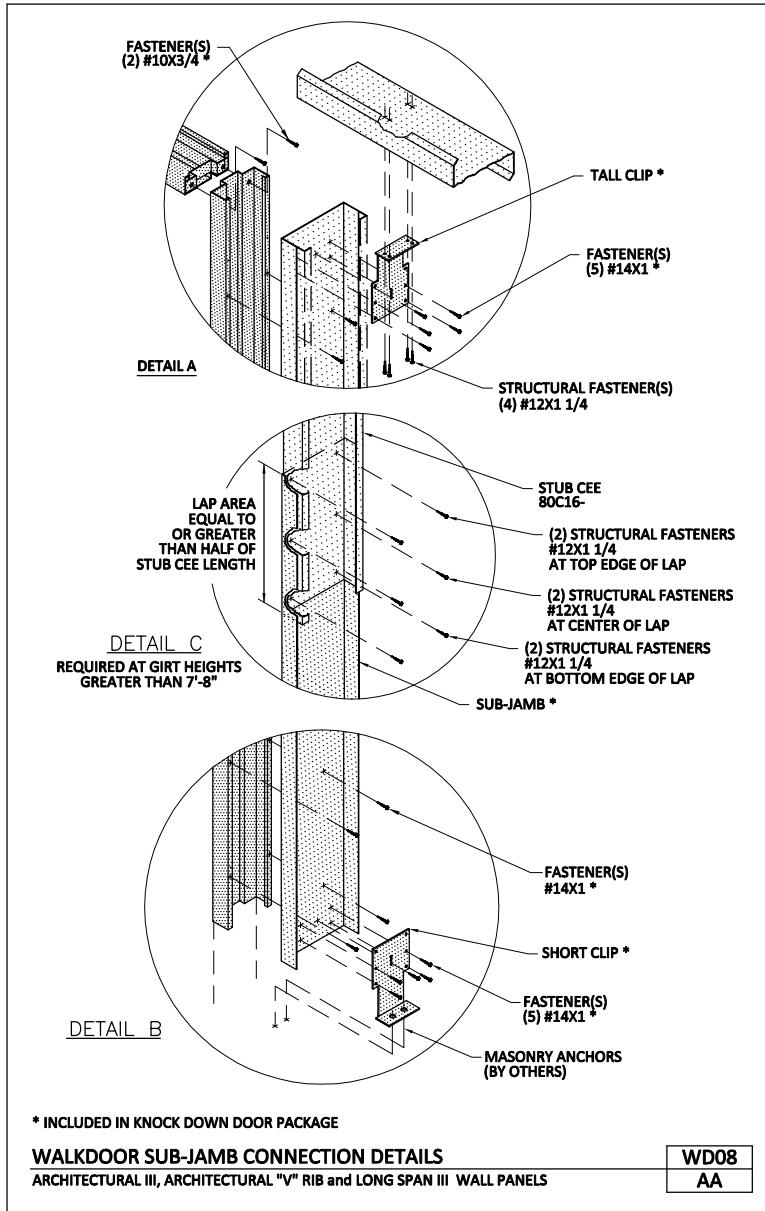
Assembly Detail for Walkdoor Frame  
Shadow Panel Walls at 9'-4" Header Girt - Typical at All Wall Panels w/ Header Girt Above 7'-8"  
WD07/AD



[Download the DWG file by clicking here.](#)

[To Section Index](#)

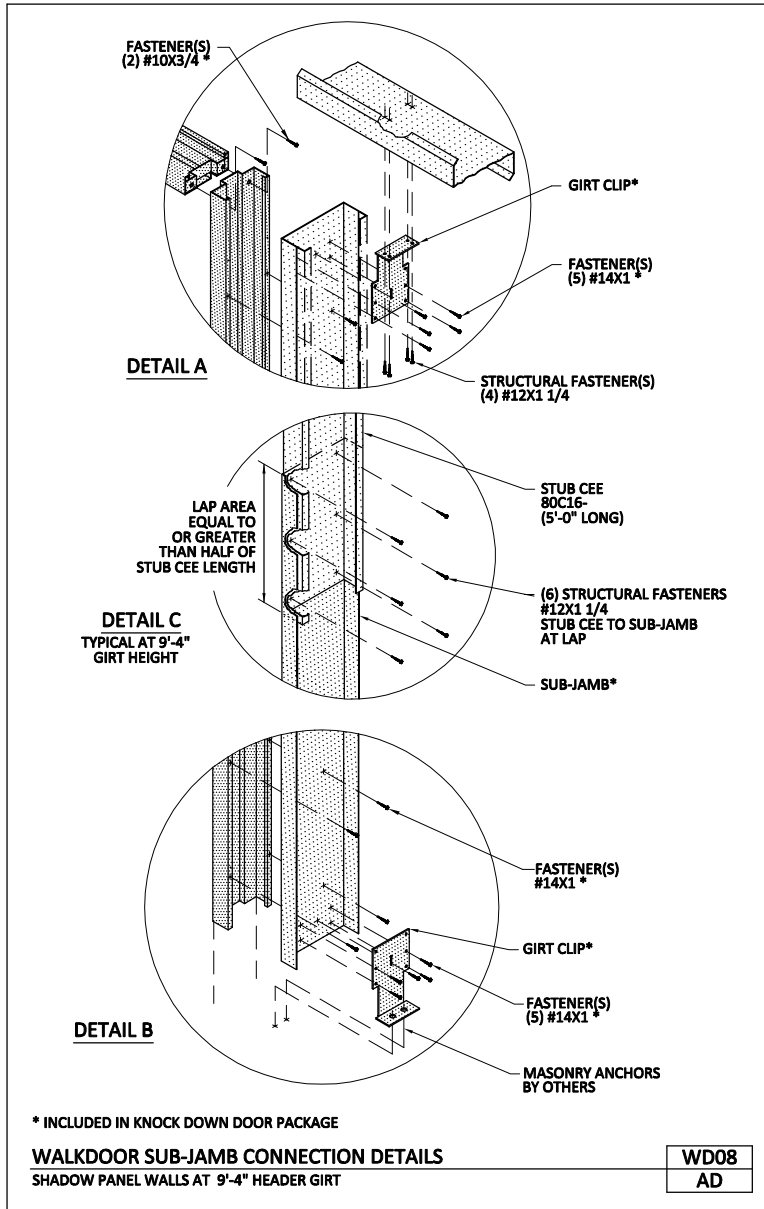
Walkdoor Sub-Jamb Connection Details  
 Architectural III, Architectural "V" Rib, and Long Span III Wall Panels  
 WD08/AA



[Download the DWG file by clicking here.](#)

[To Section Index](#)

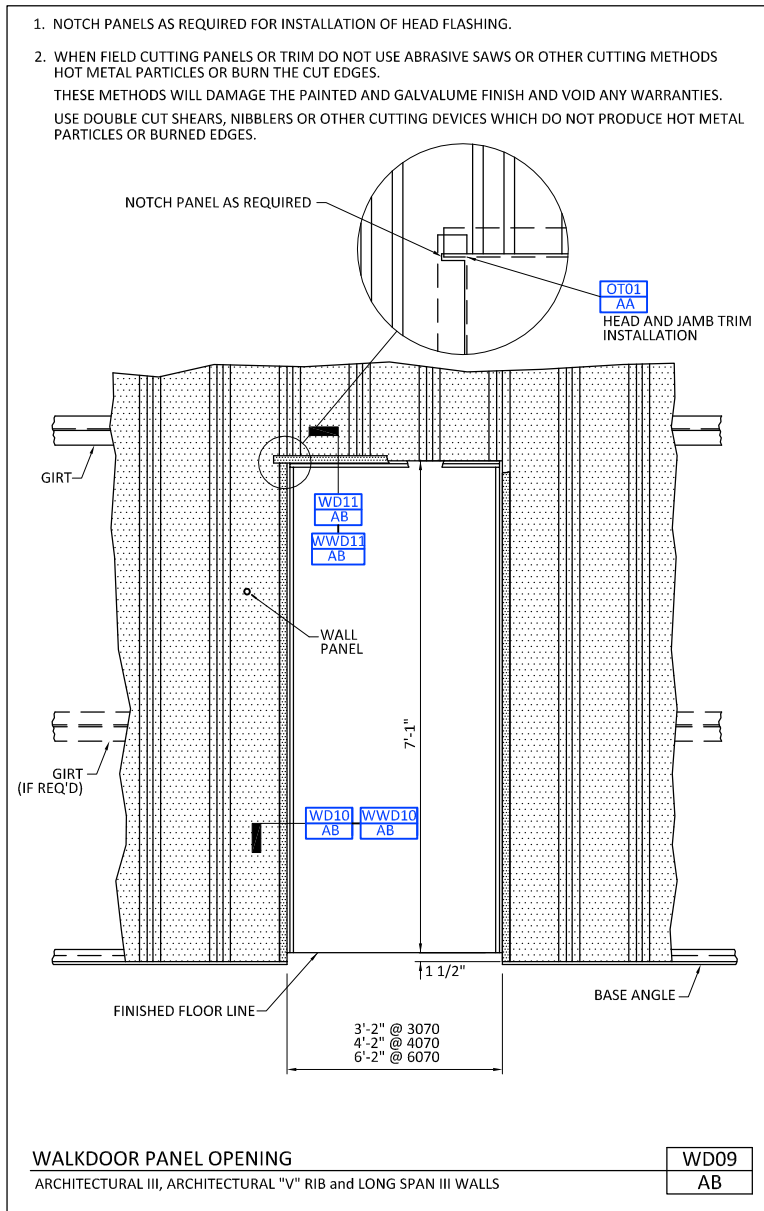
Walkdoor Sub-Jamb Connection Details  
Shadow Panel Walls at 9'-4" Header Girt  
WD08/AD



[Download the DWG file by clicking here.](#)

[To Section Index](#)

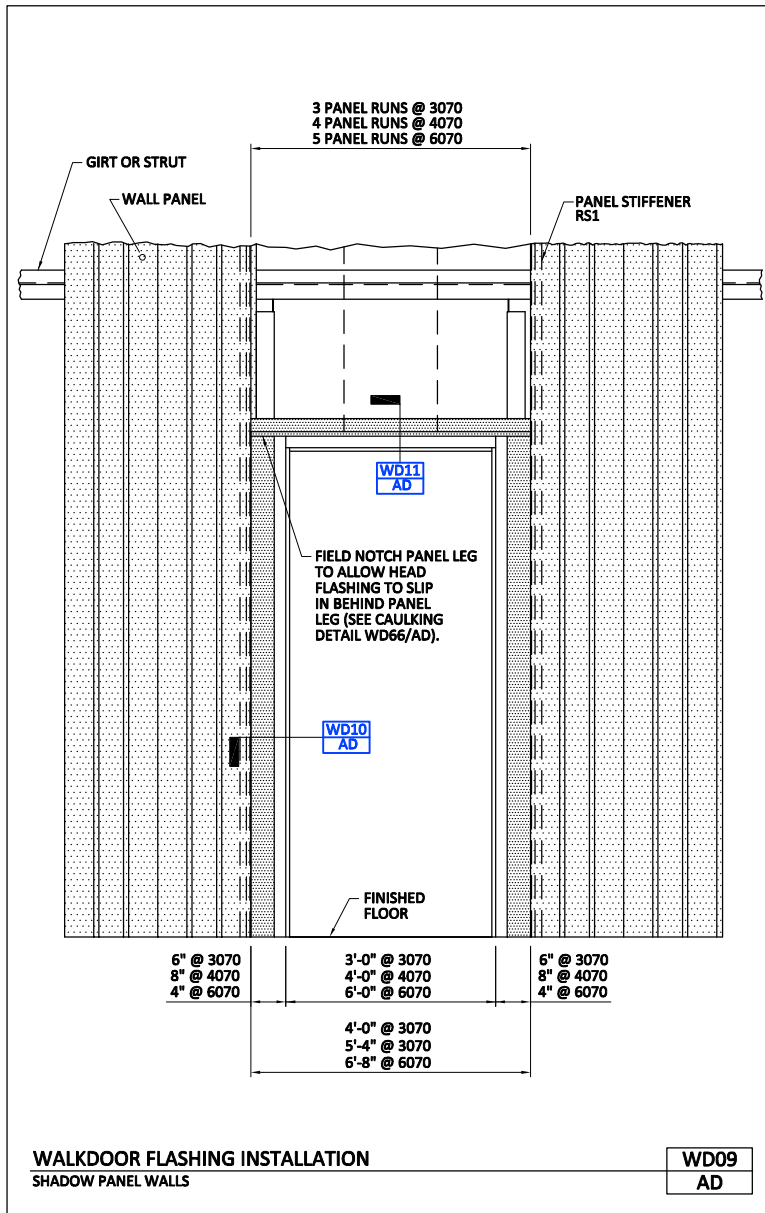
Walkdoor Panel Opening  
Architectural III, Architectural "V" Rib and Long Span III Walls  
WD09/AB



[Download the DWG file by clicking here.](#)

[To Section Index](#)

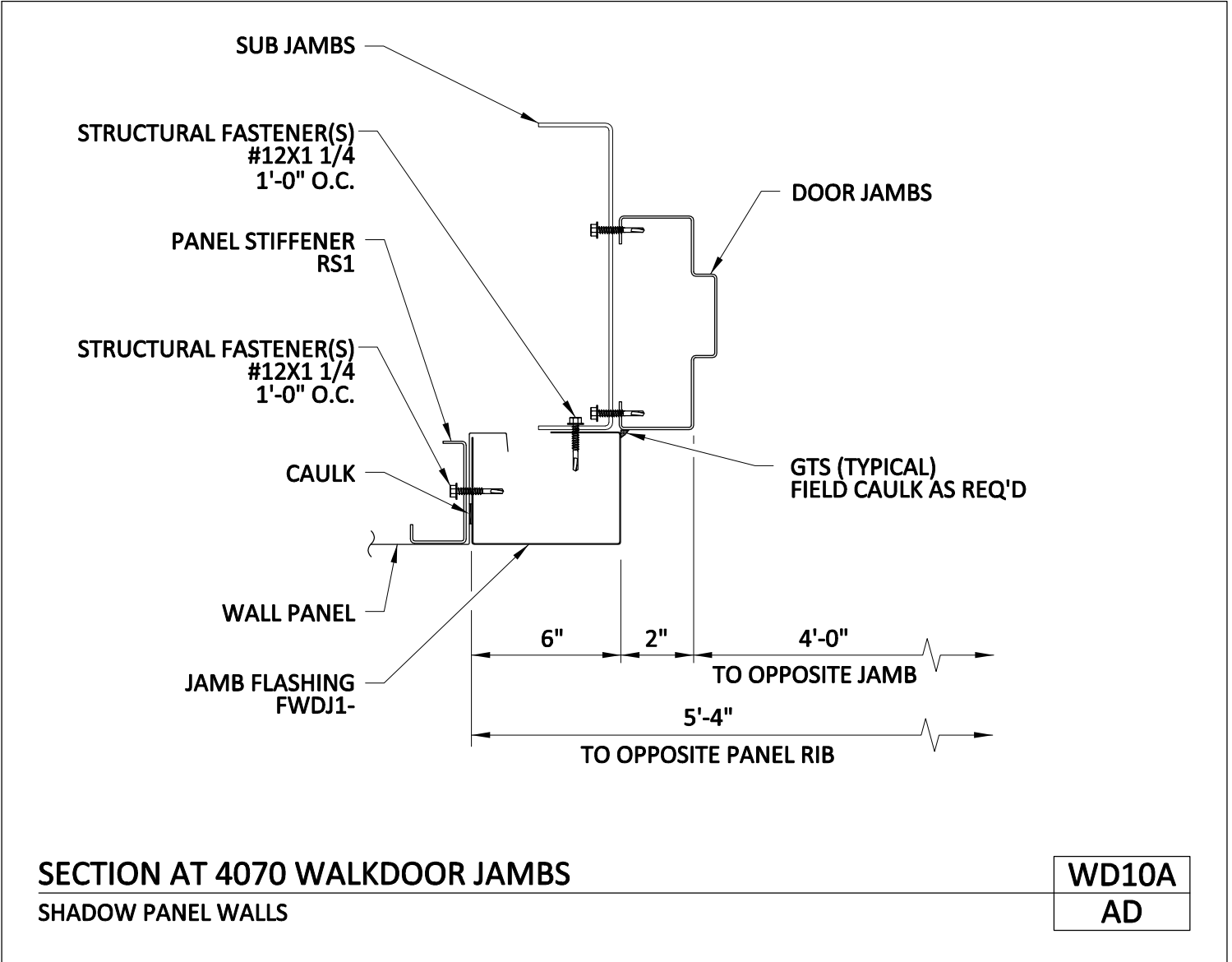
Walkdoor Flashing Installation  
Shadow Panel Walls  
WD09/AD



[Download the DWG file by clicking here.](#)

[To Section Index](#)

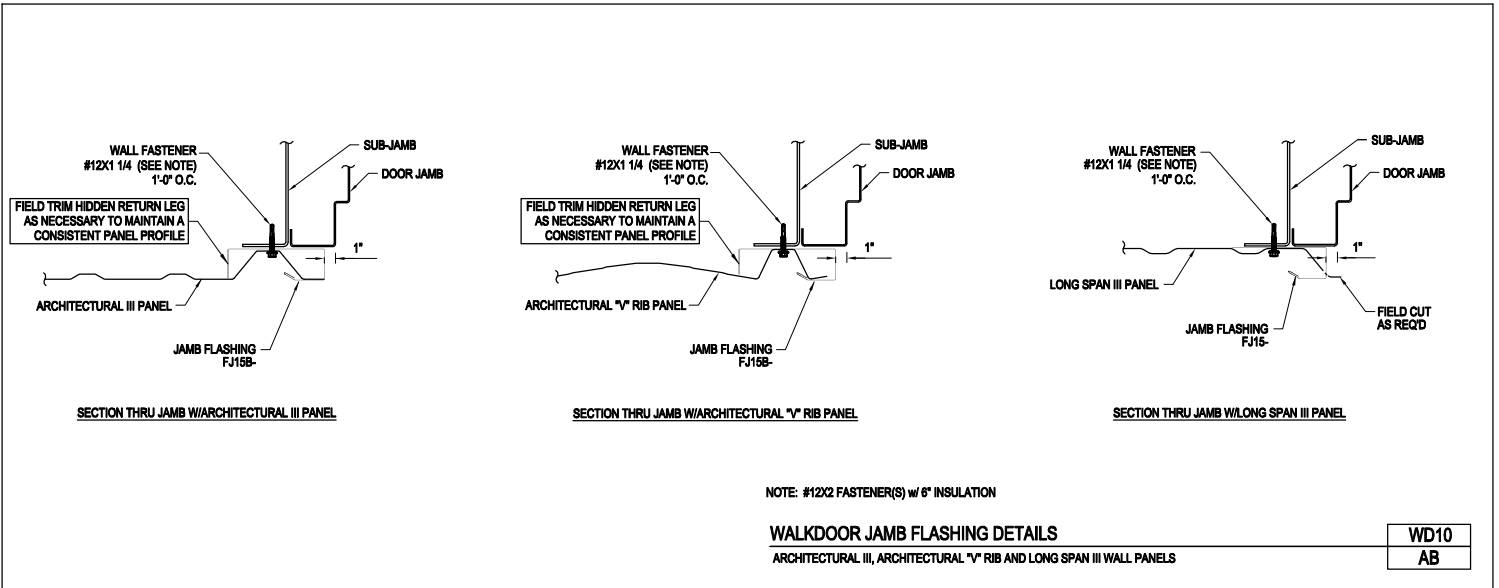
Section at 4070 Walkdoor Jambs  
Shadow Panel Walls  
WD10A/AD



[Download the DWG file by clicking here.](#)

[To Section Index](#)

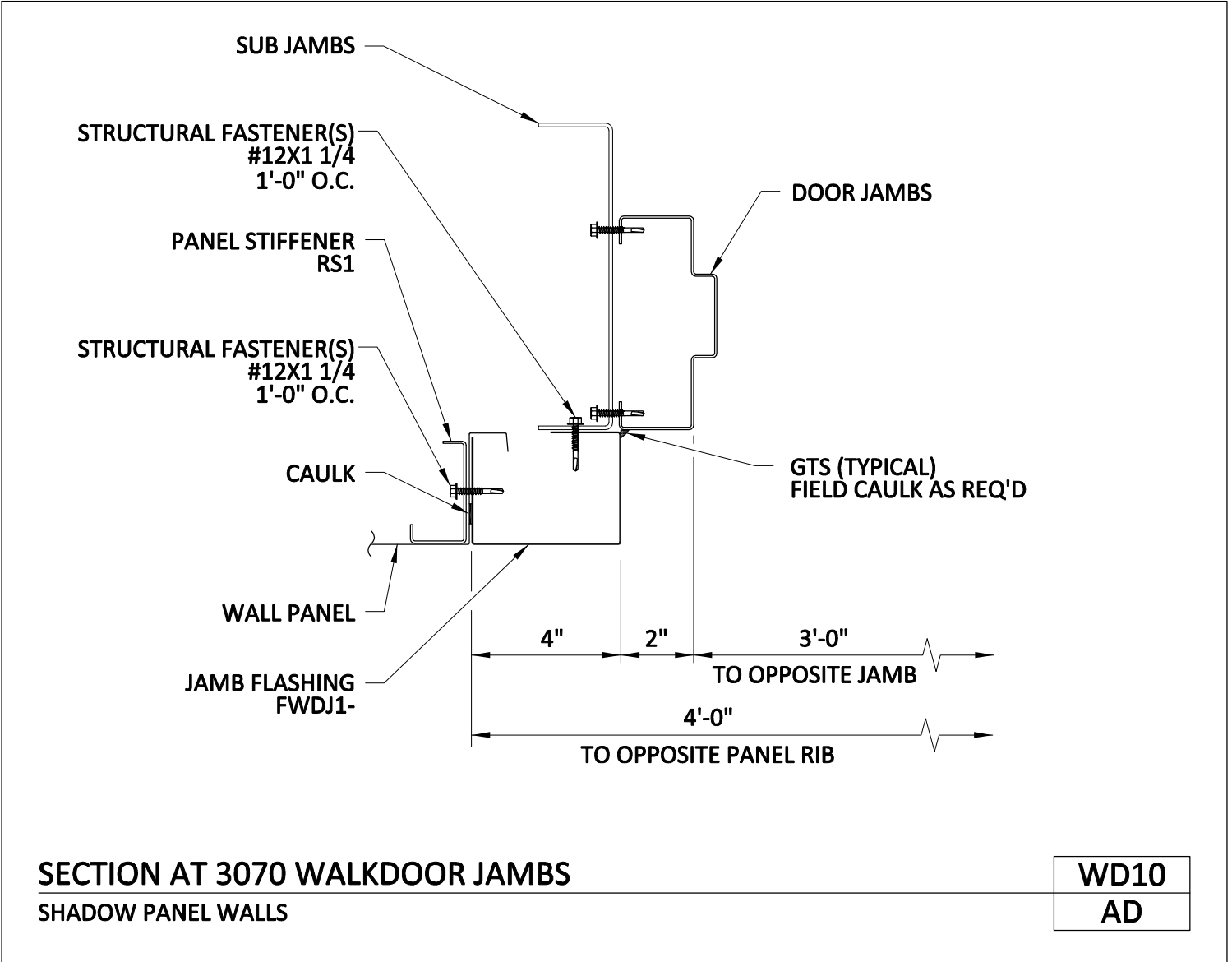
Walkdoor Jamb Flashing Details  
Architectural III, Architectural "V" Rib and Long Span III Walls  
WD10/AB



[Download the DWG file by clicking here.](#)

[To Section Index](#)

Section at 3070 Walkdoor Jambs  
Shadow Panel Walls  
WD10/AD

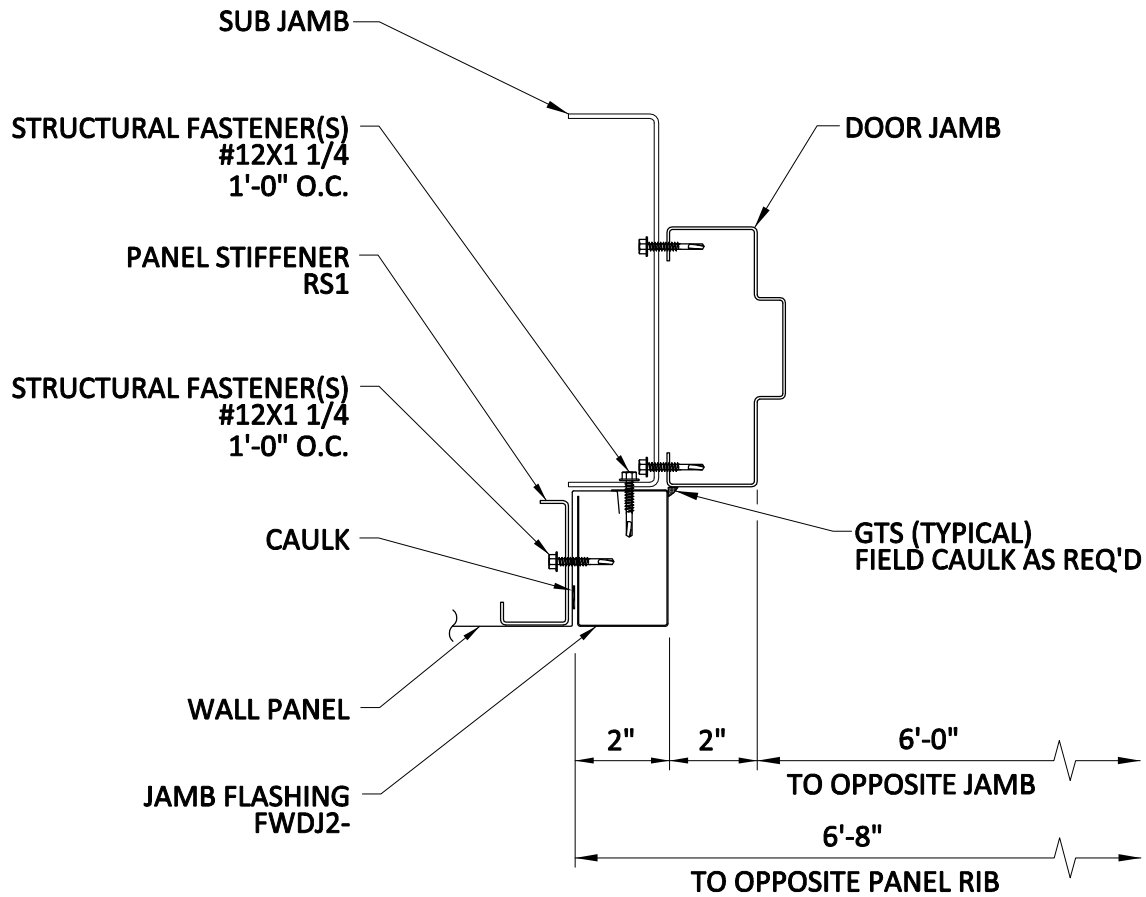


[Download the DWG file by clicking here.](#)

[To Section Index](#)



Section at 6070 Walkdoor Jambs  
Shadow Panel Walls  
WD10BT/AD



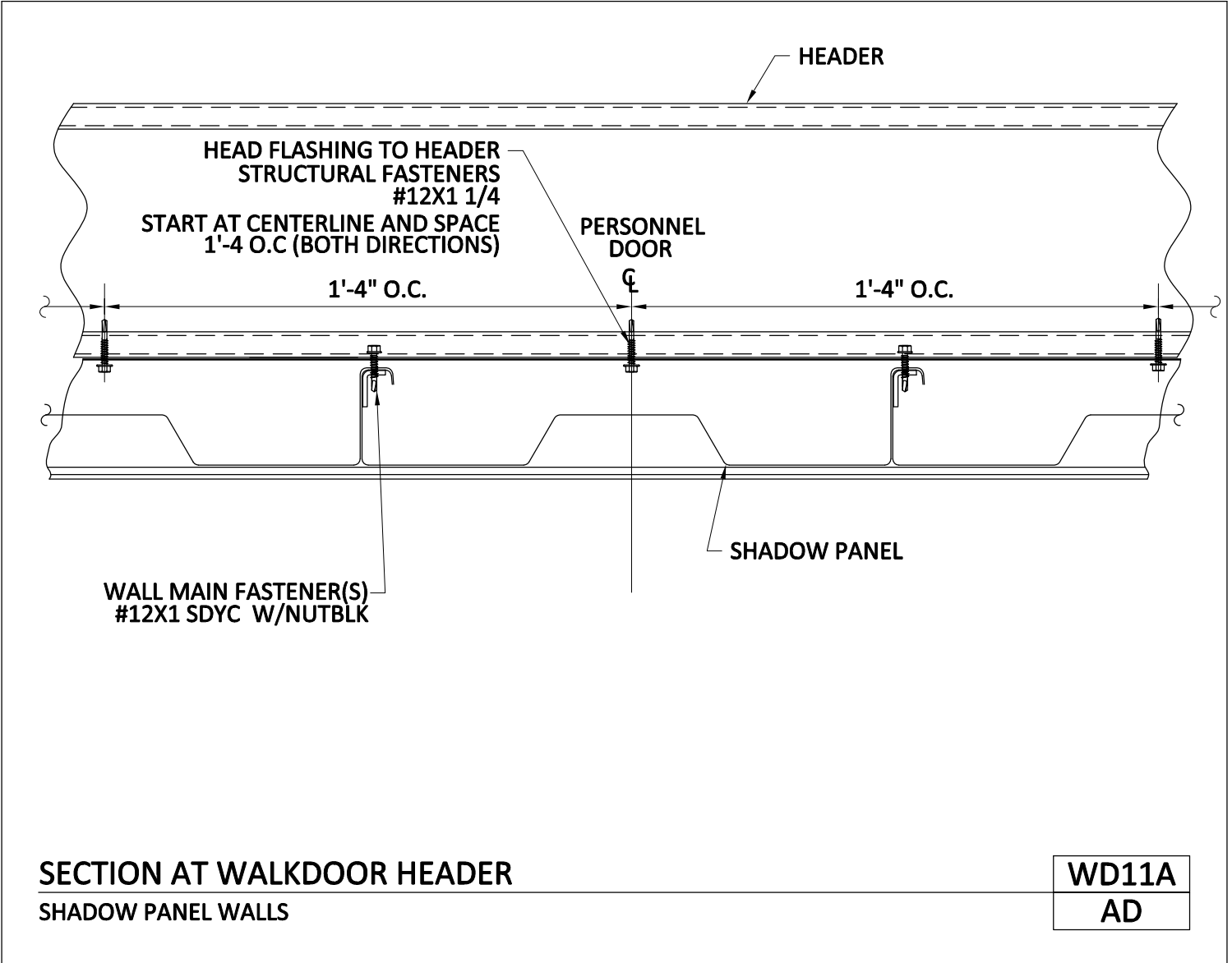
**SECTION AT 6070 WALKDOOR JAMBS**  
SHADOW PANEL WALLS

<b>WD10BT</b>
<b>AD</b>

[Download the DWG file by clicking here.](#)

[To Section Index](#)

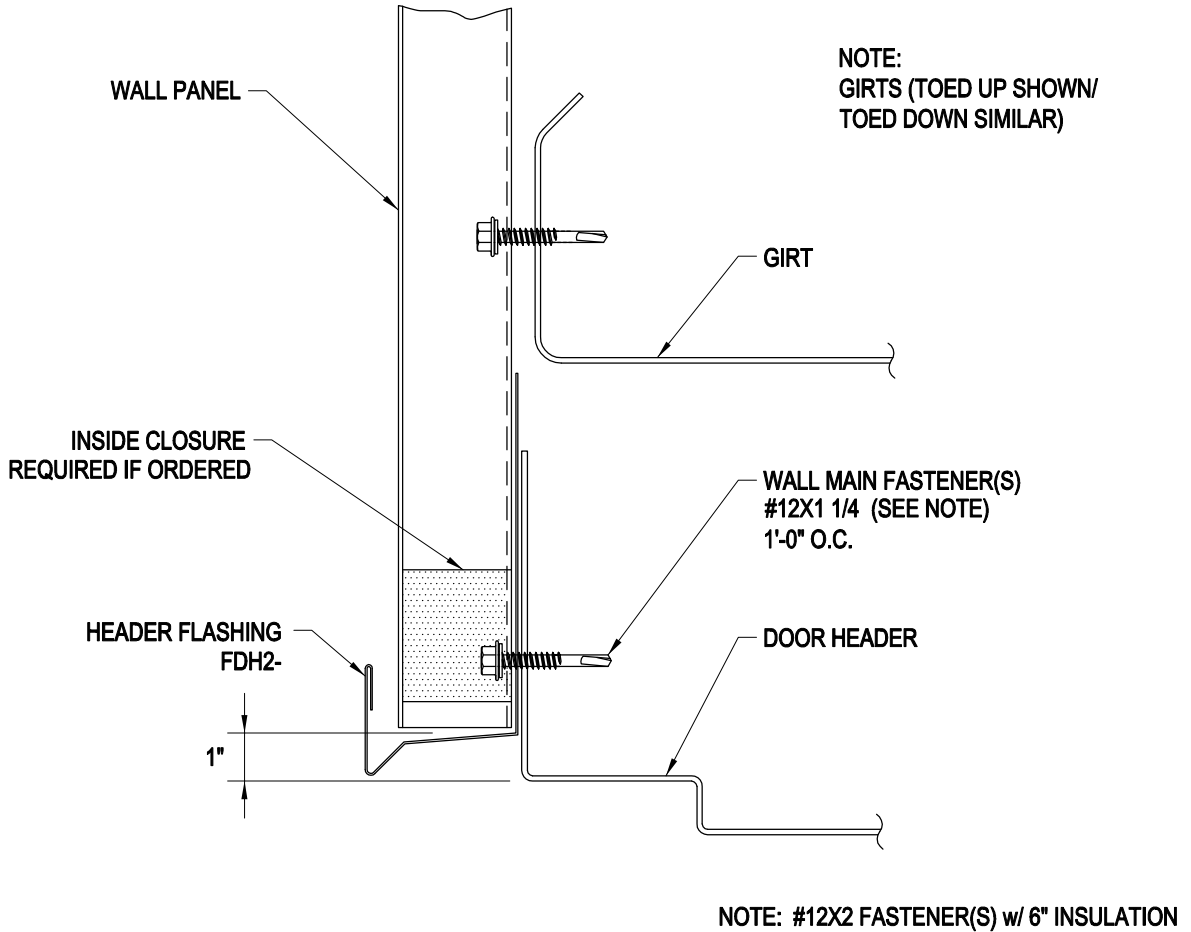
Section at Walkdoor Header  
Shadow Panel Walls  
WD11A/AD



[Download the DWG file by clicking here.](#)

[To Section Index](#)

Section Through Walkdoor Header  
Architectural III, Architectural "V" Rib and Long Span III Walls  
WD11/AB



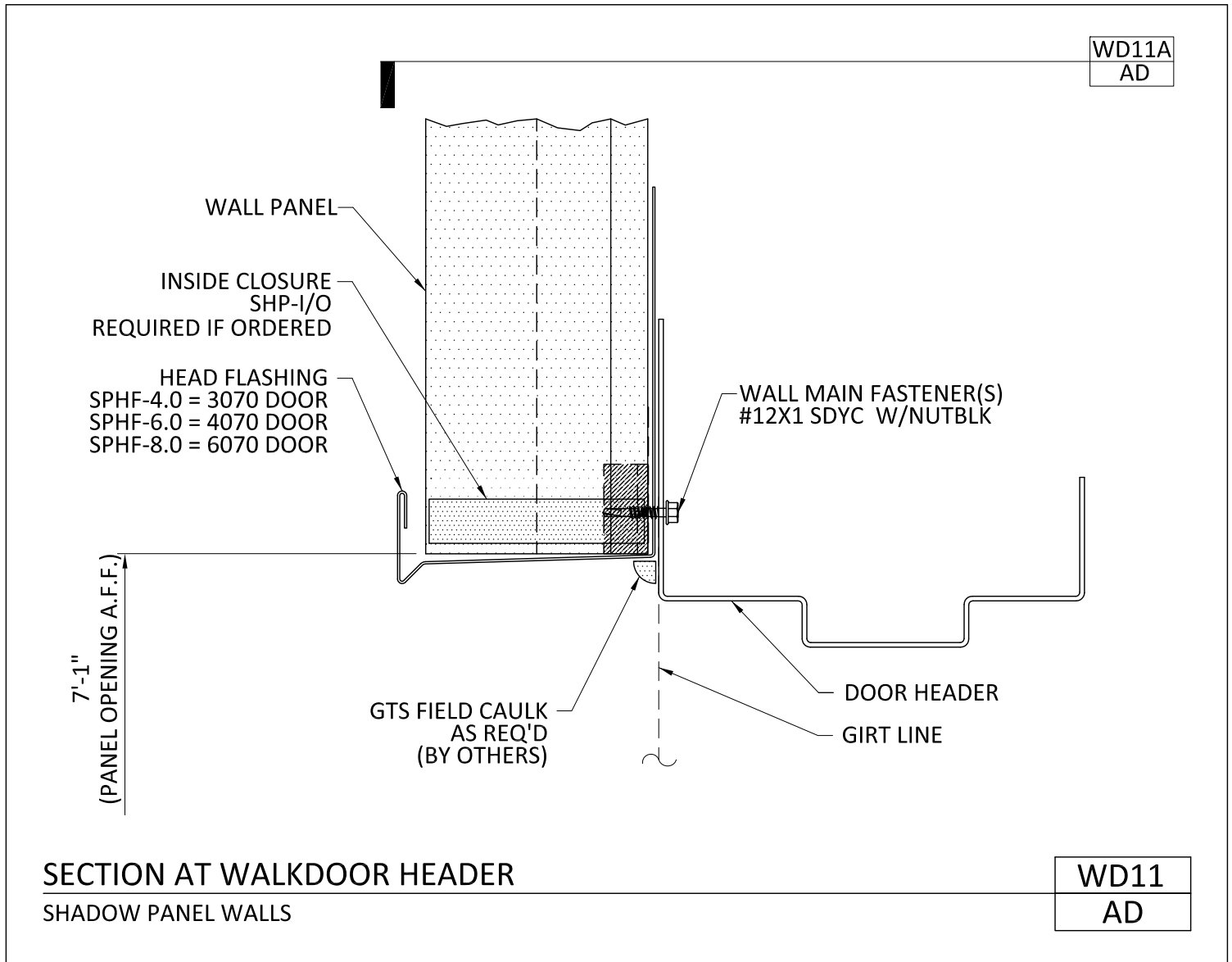
**SECTION THROUGH WALKDOOR HEADER**  
ARCHITECTURAL III, ARCHITECTURAL "V" RIB and LONG SPAN III WALL PANELS

WD11
AB

[Download the DWG file by clicking here.](#)

[To Section Index](#)

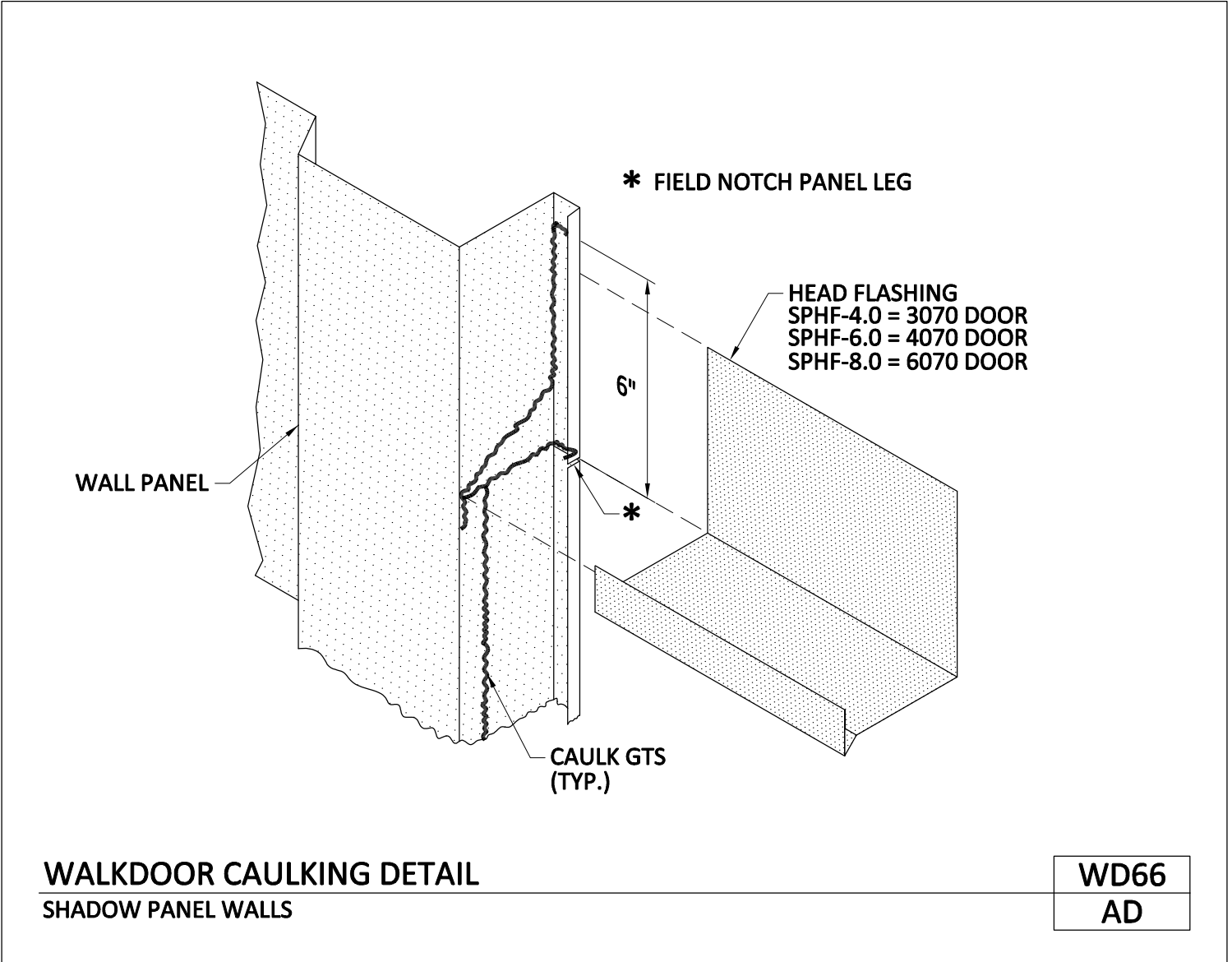
Section at Walkdoor Header  
Shadow Panel Walls  
WD11/AD



[Download the DWG file by clicking here.](#)

[To Section Index](#)

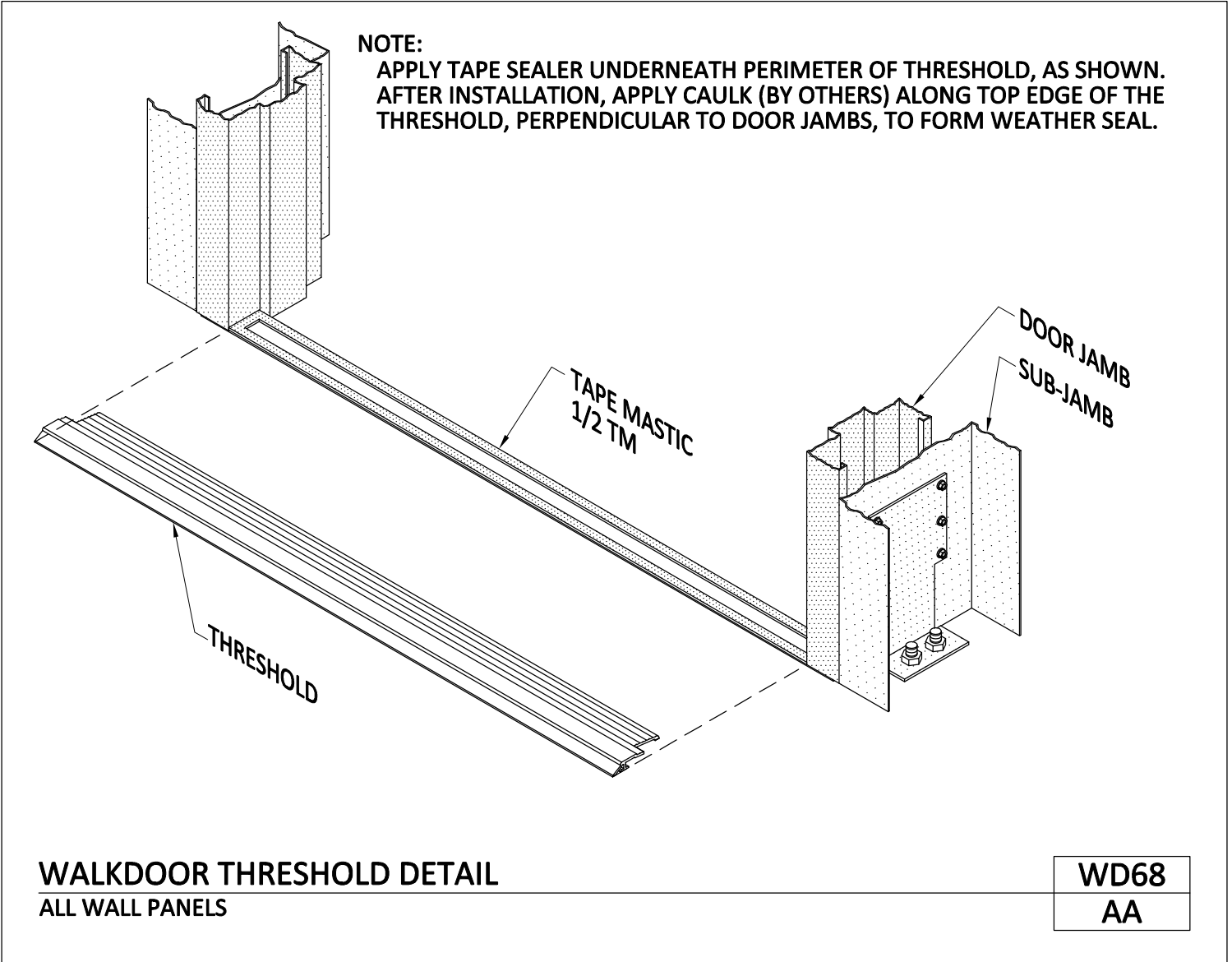
Walkdoor Caulking Detail  
Shadow Panel Walls  
WD66/AD



[Download the DWG file by clicking here.](#)

[To Section Index](#)

Walkdoor Threshold Detail  
All Wall Panels  
WD68/AA



[Download the DWG file by clicking here.](#)

[To Section Index](#)

Walkdoor Erection Procedures  
Architectural III, Architectural "V" Rib, and Long Span III Wall Panels  
WD71/AA

1. Read and understand all reference material included with the door frame package.
2. Select location of door in building.
3. If 3'-6" girt is present in building, see detail [WD04AB](#) or [WD04NAB](#) for girt to sub-jamb attachment.
4. Cut opening in wall sheet according to detail WD09AB and notch base angle according to detail [WD05AB](#).
5. Determine the swing of door. Attach door jambs to header using (4) #10X3/4 screws provided in door package. See details WD07A\_ & [WD08AA](#).
6. Locate door jambs in correct location and tip frame into wall from the outside of the building.
7. Attach sub-jambs to door frame jambs according to details WD07A\_ & [WD08AA](#).
8. Attach clips (included in door package) at the top and bottom of sub-jambs. Position and plumb frame and attach according to detail [WD08AA](#).
9. Attach door sweep into recessed channel in bottom of leaf using (4) #10X3/4 screws provided in door package.
10. Hang door leaf and recheck plumb.
11. Install threshold.
12. Install any miscellaneous hardware.

Safety should be practiced at all times during door installation.

## WALKDOOR ERECTION PROCEDURES

ARCHITECTURAL III, ARCHITECTURAL "V" RIB and LONG SPAN III WALL PANELS

WD71
AA

[Download the DWG file by clicking here.](#)

[To Section Index](#)

Walkdoor Erection Procedures  
Shadow Panel Walls  
WD71/AD

1. Read and understand all reference material included with the door frame package.
2. Identify location of door in building.
3. Sheet wall according to Erection Drawings and detail [WD09AD](#).
4. Determine the swing of door. Attach door jambs to header using (4) #10X3/4" screws provided in door package. See details [WD07AD](#) & [WD08AD](#).
5. Locate door jambs in correct location and tip frame into wall from the outside of the building.
6. Attach sub-jambs to door frame jambs according to details [WD07AD](#) & [WD08AD](#).
7. Attach clips (included in door package) at the top and bottom of sub-jambs. Position and plumb frame then attach to finished floor and wall girt according to detail [WD08AD](#).
8. Attach door sweep into recessed channel in bottom of leaf using (4) #10X3/4 HHSDS screws provided in door package.
9. Hang door leaf and recheck plumb.
10. Install threshold.
11. Install any miscellaneous hardware and remaining panels.

Safety should be practiced at all times during door installation.

**WALKDOOR ERECTION PROCEDURES**  
SHADOW PANEL WALLS

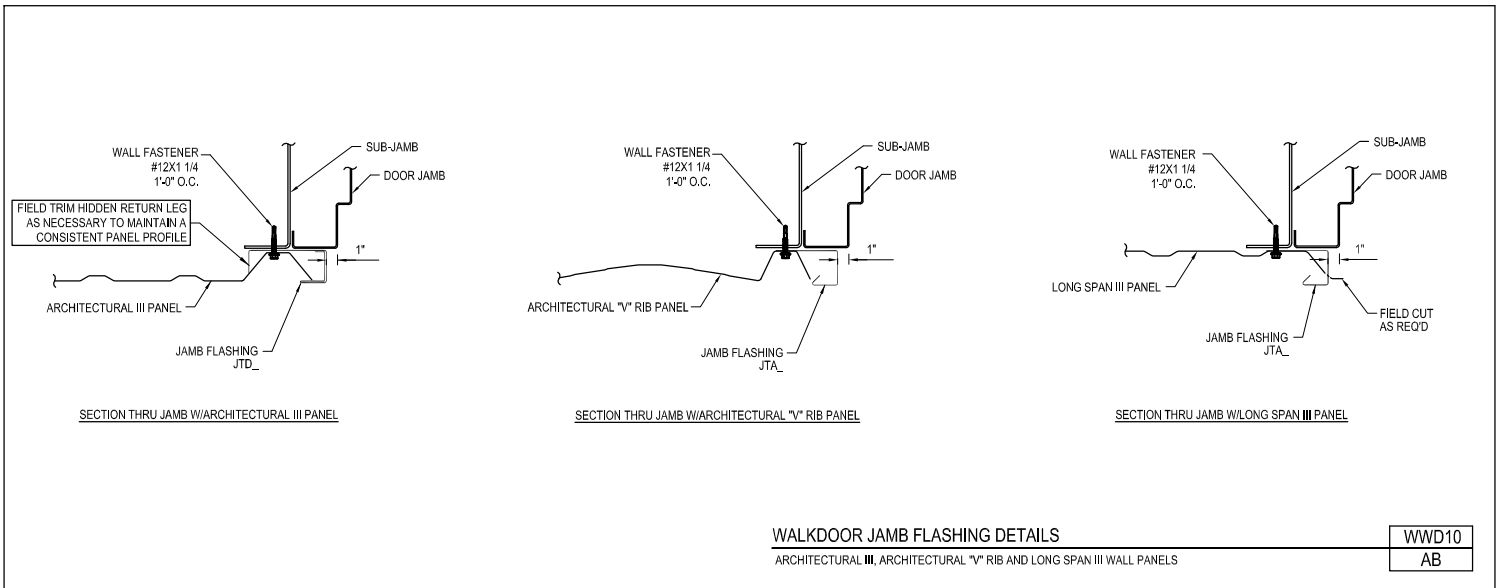
WD71
AD

[Download the DWG file by clicking here.](#)

[To Section Index](#)



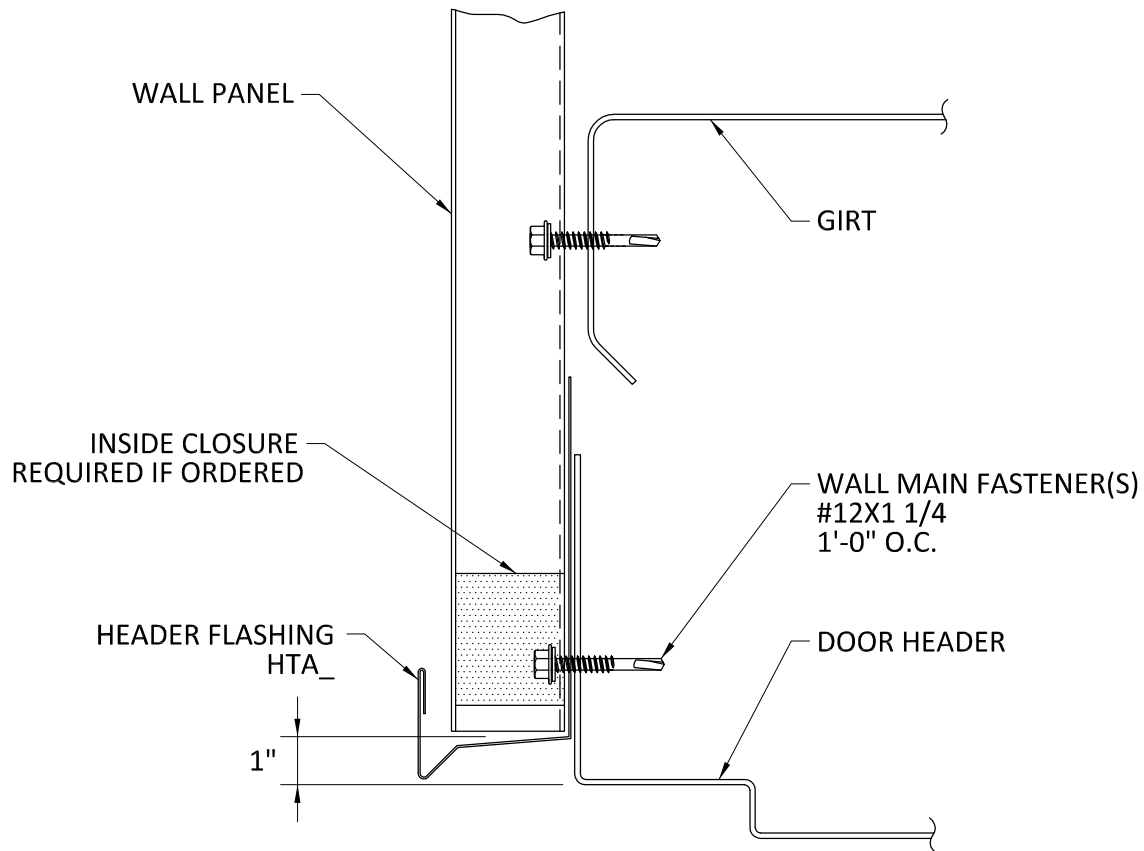
Walkdoor Jamb Flashing Details  
Architectural III, Architectural "V" Rib and Long Span III Walls  
WWD10/AB



[Download the DWG file by clicking here.](#)

[To Section Index](#)

Section Through Walkdoor Header  
Architectural III, Architectural "V" Rib and Long Span III Walls  
WWD11/AB



**SECTION THROUGH WALKDOOR HEADER**  
ARCHITECTURAL III, ARCHITECTURAL "V" RIB and LONG SPAN III WALL PANELS

WWD11
AB

[Download the DWG file by clicking here.](#)

[To Section Index](#)