

Product Manual - Pipe Hanger Details

[SH01/AA, Hanger Detail at Purlins](#)
[SH01A/AA, Hanger Detail at Purlins](#)
[SH01B/AA, Hanger Detail at Purlins](#)
[SH02/AA, Hanger Detail at Purlins](#)
[SH02A/AA, Hanger Detail at Purlins](#)
[SH02B/AA, Hanger Detail at Purlins](#)
[SH03/AA, Hanger Detail Between Purlins](#)
[SH06/AA, Clamp Installation "Not Allowed"](#)
[SH11/AA, Hanger Detail at Purlins](#)
[SH11A/AA, Hanger Details at Purlins](#)
[SH12/AA, Hanger Detail at Purlins](#)
[SH12A/AA, Hanger Detail at Purlins](#)
[SH13/AA, Hanger Detail at Purlins](#)
[SH14/AA, Websites for Preapproved Hanger Devices](#)
[SH15/AA, General Notes](#)
[SH16/AA, Hanger Capacities Warning](#)
[SH17/AA, Collateral Point Load Note](#)

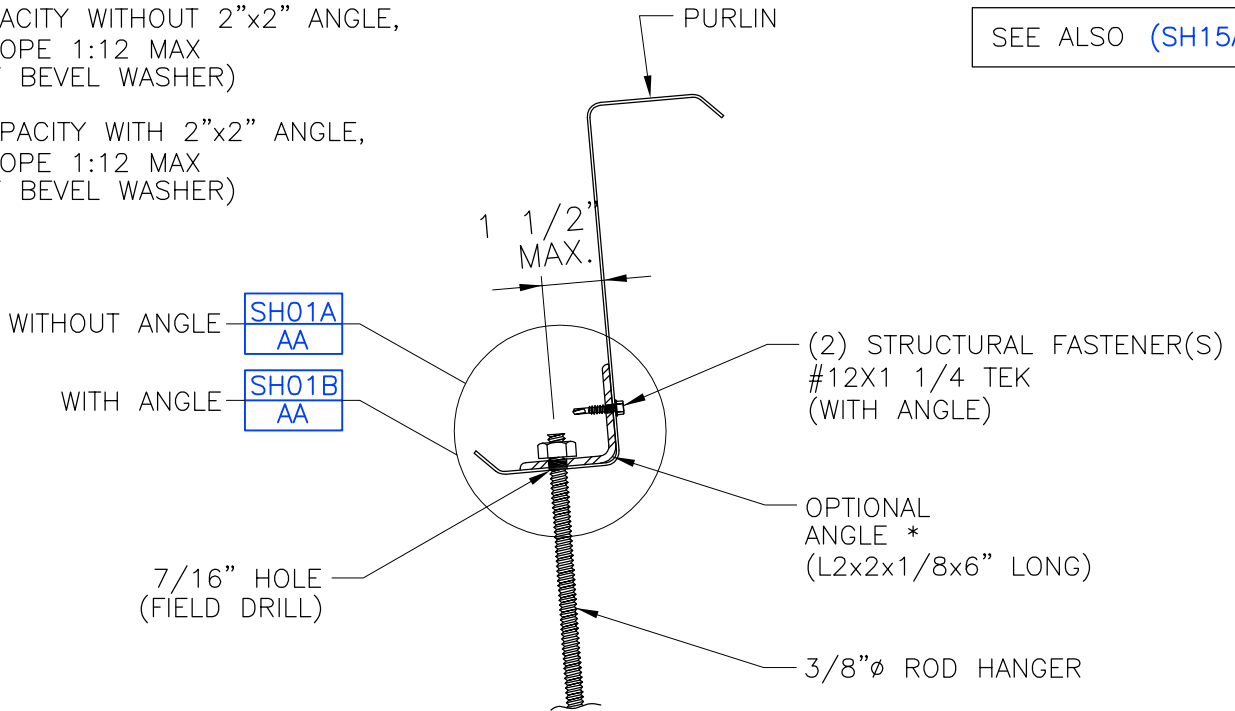
Hanger Detail at Purlins

SH01/AA

50# CAPACITY WITHOUT 2"x2" ANGLE,
ROOF SLOPE 1:12 MAX
(WITHOUT BEVEL WASHER)

200# CAPACITY WITH 2"x2" ANGLE,
ROOF SLOPE 1:12 MAX
(WITHOUT BEVEL WASHER)

SEE ALSO (SH15AA)



* ANGLE MAY BE OMITTED WITH
HANGER LOADS 50 LBS.
OR LESS.

NOTE:
PURLIN LIP MUST NOT
BE DISTORTED.

NOTE:
USE OF THIS DETAIL WILL REQUIRE THE
ROD HANGER TO BE BENT AFTER INSTALLATION
SO THAT IT HANGS VERTICALLY.
THE METAL BUILDING SUPPLIER IS NOT
RESPONSIBLE FOR THE DESIGN OR ADEQUACY
OF THE BENT ROD HANGER.

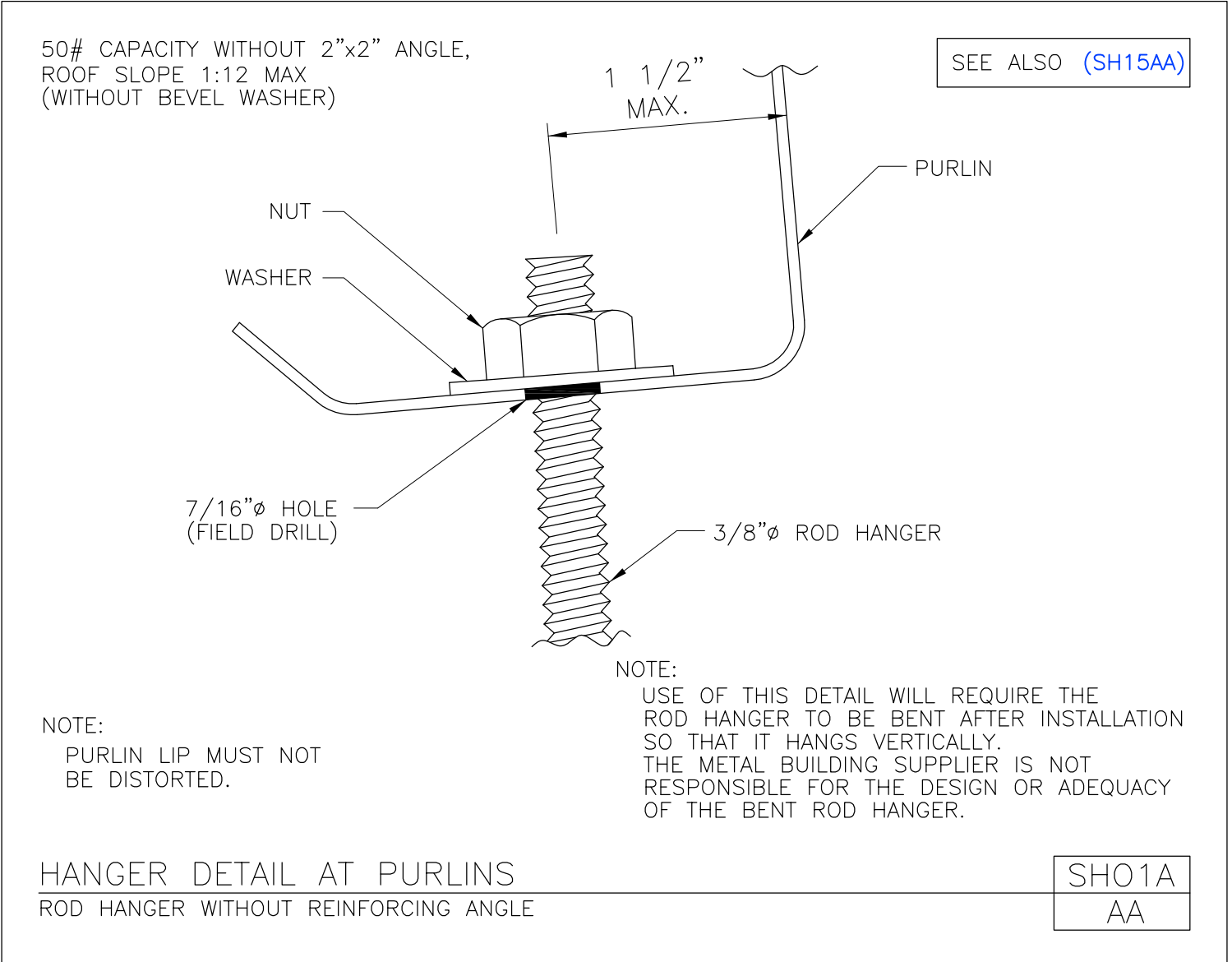
HANGER DETAIL AT PURLINS

SH01
AA

[Download the DWG file by clicking here.](#)

[To Section Index](#)

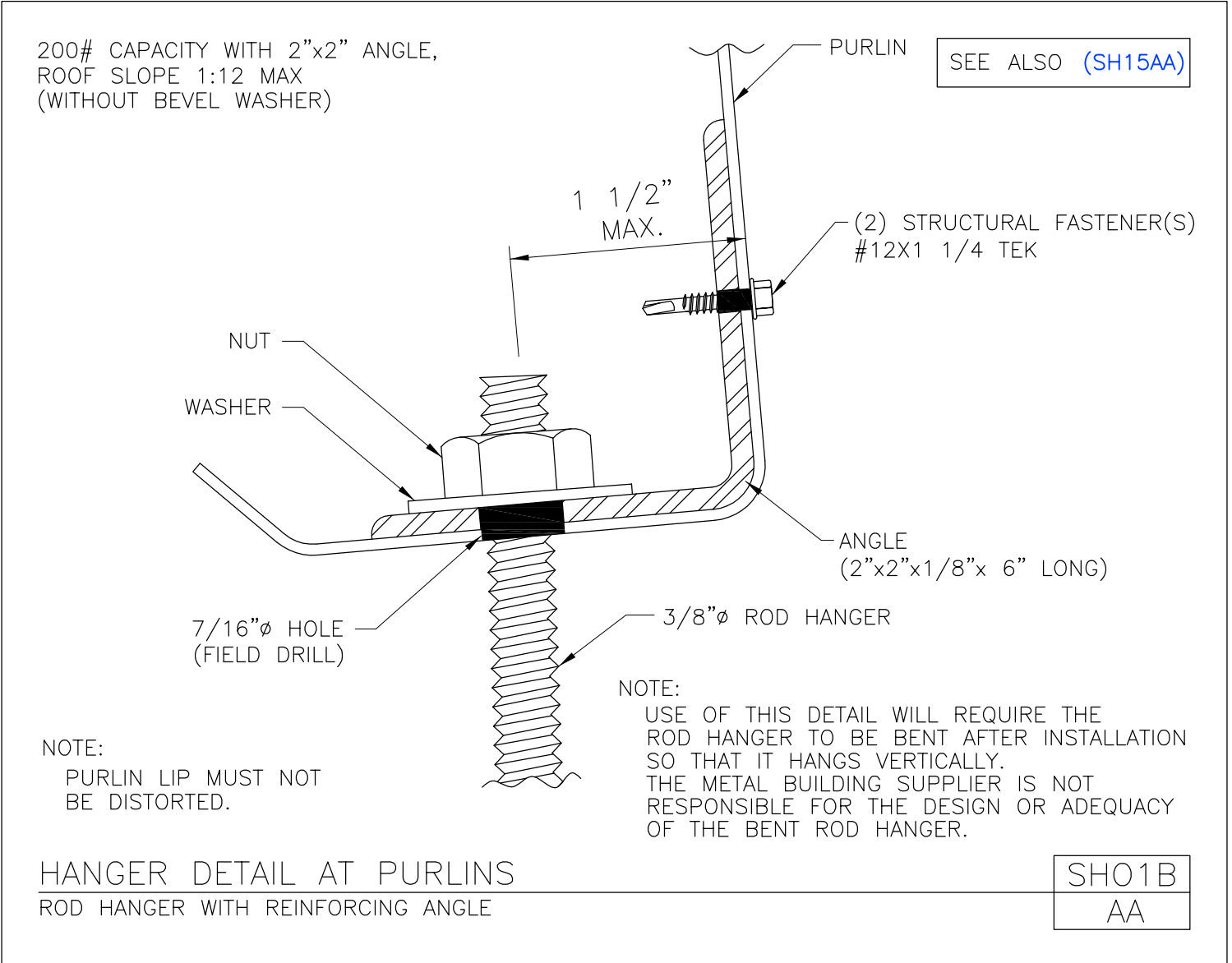
Hanger Detail at Purlins
Rod Hanger Without Reinforcing Angle
SH01A/AA



[Download the DWG file by clicking here.](#)

[To Section Index](#)

Hanger Detail at Purlins
Rod Hanger With Reinforcing Angle
SH01B/AA



[Download the DWG file by clicking here.](#)

[To Section Index](#)

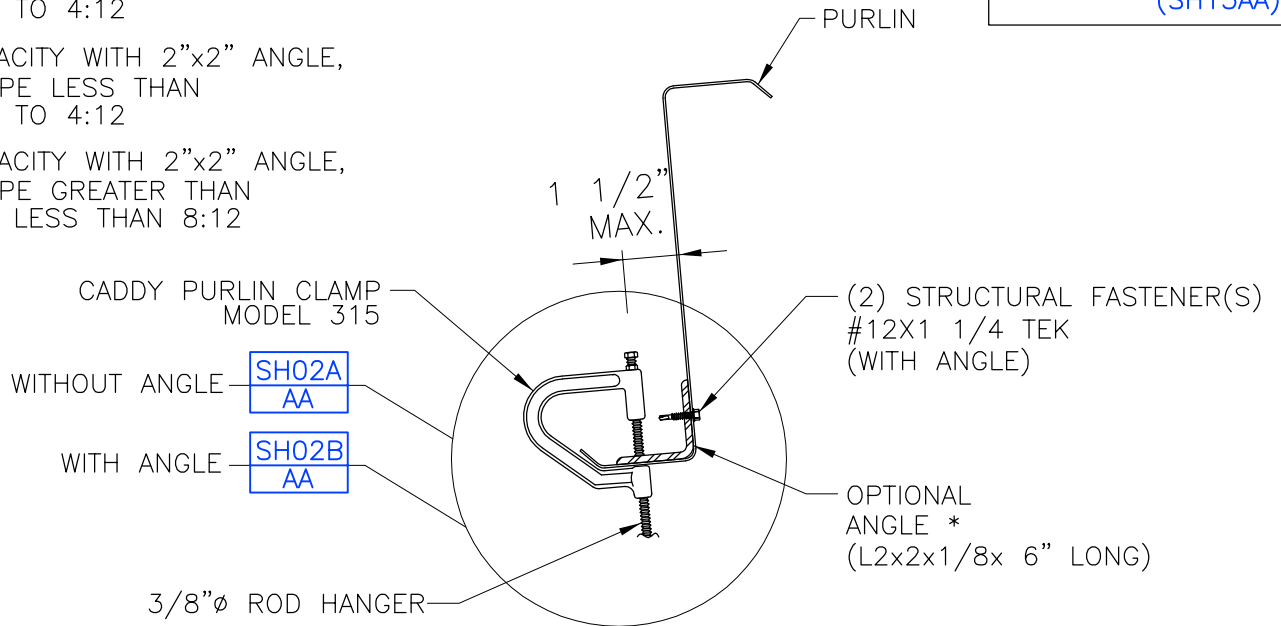
Hanger Detail at Purlins
Purlin Clamp
SH02/AA

250# CAPACITY WITHOUT 2"x2" ANGLE,
ROOF SLOPE LESS THAN
OR EQUAL TO 4:12

500# CAPACITY WITH 2"x2" ANGLE,
ROOF SLOPE LESS THAN
OR EQUAL TO 4:12

250# CAPACITY WITH 2"x2" ANGLE,
ROOF SLOPE GREATER THAN
4:12, BUT LESS THAN 8:12

SEE ALSO (SH14AA)
(SH15AA)



NOTE:

USE OF THIS DETAIL WILL REQUIRE THE ROD HANGER TO BE BENT AFTER INSTALLATION SO THAT IT HANGS VERTICALLY. THE METAL BUILDING SUPPLIER IS NOT RESPONSIBLE FOR THE DESIGN OR ADEQUACY OF THE BENT ROD HANGER.

* ANGLE MAY BE OMITTED WITH HANGER LOADS 250 LBS. OR LESS EXCEPT THAT ANGLE IS REQUIRED WITH SLOPE GREATER THAN 4:12, BUT LESS THAN 8:12.

NOTE:

PURLIN LIP MUST NOT BE DISTORTED.

HANGER DETAIL AT PURLINS

PURLIN CLAMP

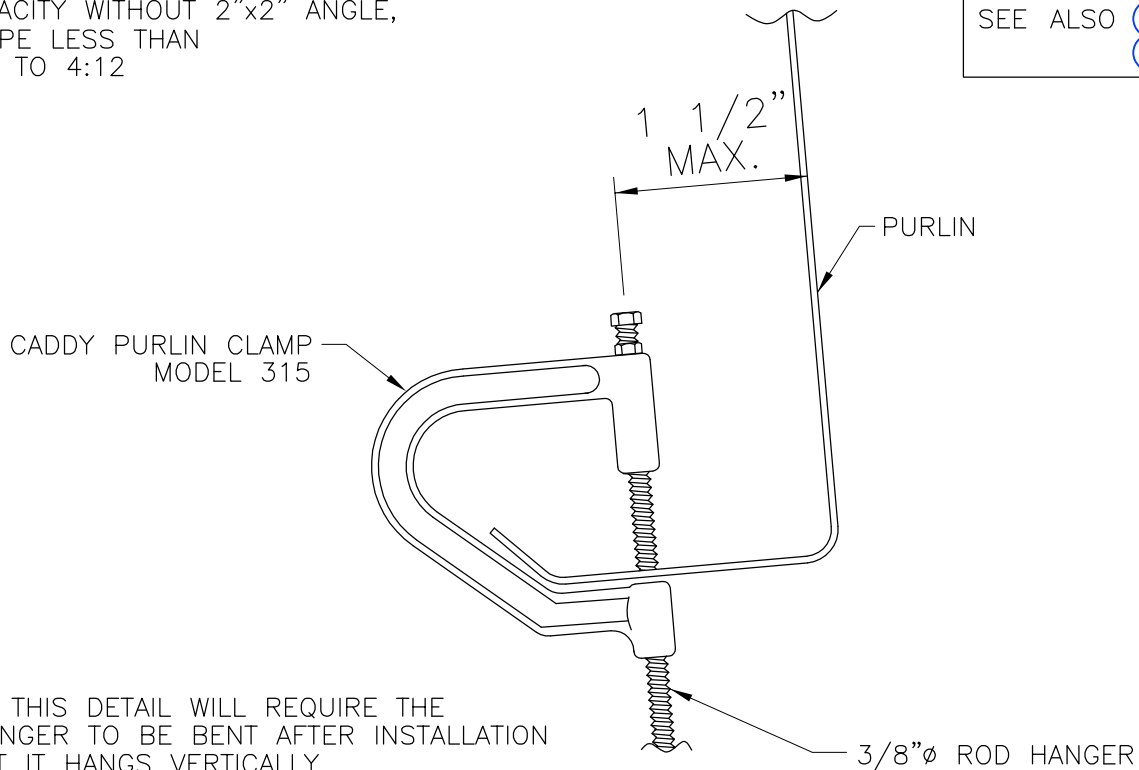
SH02
AA

[Download the DWG file by clicking here.](#)

Hanger Detail at Purlins
Purlin Clamp Without Reinforcing Angle
SH02A/AA

250# CAPACITY WITHOUT 2"x2" ANGLE,
ROOF SLOPE LESS THAN
OR EQUAL TO 4:12

SEE ALSO [\(SH14AA\)](#)
[\(SH15AA\)](#)



NOTE:
USE OF THIS DETAIL WILL REQUIRE THE
ROD HANGER TO BE BENT AFTER INSTALLATION
SO THAT IT HANGS VERTICALLY.
THE METAL BUILDING SUPPLIER IS NOT
RESPONSIBLE FOR THE DESIGN OR ADEQUACY
OF THE BENT ROD HANGER.

NOTE:
PURLIN LIP MUST NOT
BE DISTORTED.

HANGER DETAIL AT PURLINS
PURLIN CLAMP WITHOUT REINFORCING ANGLE

SH02A
AA

[Download the DWG file by clicking here.](#)

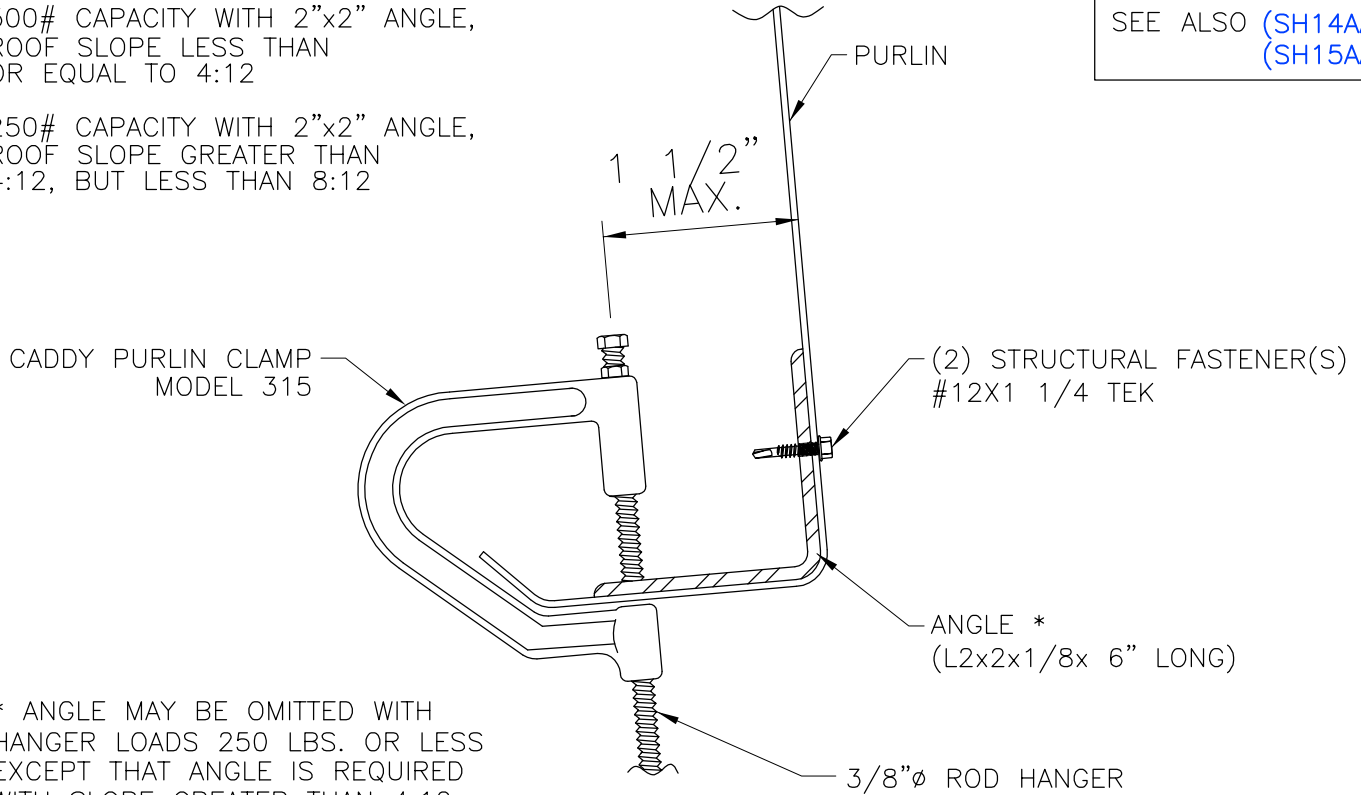
[To Section Index](#)

Hanger Detail at Purlins
Purlin Clamp With Reinforcing Angle
SH02B/AA

500# CAPACITY WITH 2"x2" ANGLE,
ROOF SLOPE LESS THAN
OR EQUAL TO 4:12

250# CAPACITY WITH 2"x2" ANGLE,
ROOF SLOPE GREATER THAN
4:12, BUT LESS THAN 8:12

SEE ALSO (SH14AA)
(SH15AA)



* ANGLE MAY BE OMITTED WITH
HANGER LOADS 250 LBS. OR LESS
EXCEPT THAT ANGLE IS REQUIRED
WITH SLOPE GREATER THAN 4:12,
BUT LESS THAN 8:12.

NOTE:
PURLIN LIP MUST NOT
BE DISTORTED.

NOTE:
USE OF THIS DETAIL WILL REQUIRE THE
ROD HANGER TO BE BENT AFTER INSTALLATION
SO THAT IT HANGS VERTICALLY.
THE METAL BUILDING SUPPLIER IS NOT
RESPONSIBLE FOR THE DESIGN OR ADEQUACY
OF THE BENT ROD HANGER.

HANGER DETAIL AT PURLINS
PURLIN CLAMP WITH REINFORCING ANGLE

SH02B
AA

[Download the DWG file by clicking here.](#)

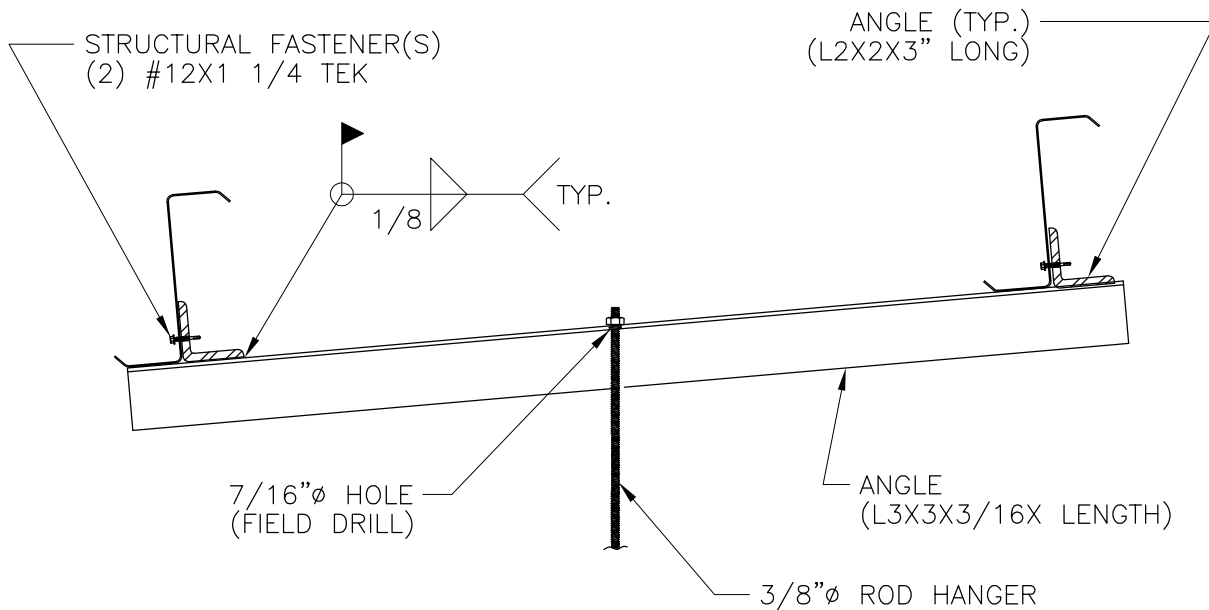
[To Section Index](#)

Hanger Detail Between Purlins

SH03/AA

400# CAPACITY PROVIDED ROD HANGER IS WITHIN CENTER ONE-THIRD OF 3"x3" ANGLE SPAN (200# CAPACITY OTHERWISE)

SEE ALSO (SH15AA)



NOTE:
USE OF THIS DETAIL WILL REQUIRE THE ROD HANGER TO BE BENT AFTER INSTALLATION SO THAT IT HANGS VERTICALLY. THE METAL BUILDING SUPPLIER IS NOT RESPONSIBLE FOR THE DESIGN OR ADEQUACY OF THE BENT ROD HANGER.

NOTE: FIELD WELDING REQUIRED, SEE DETAIL ENFWA_.

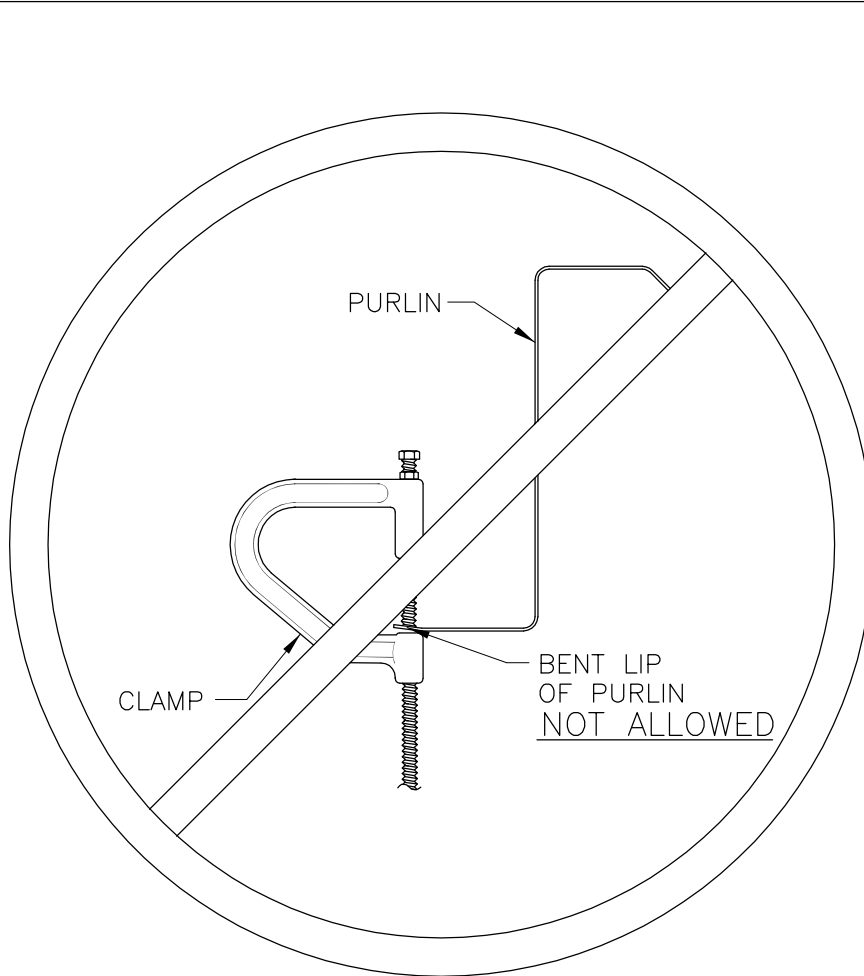
HANGER DETAIL BETWEEN PURLINS

SH03
AA

[Download the DWG file by clicking here.](#)

[To Section Index](#)

Clamp Installation "Not Allowed"
Clamp Causing Bent Purlin Lip
SH06/AA



CLAMP INSTALLATION "NOT ALLOWED"
CLAMP CAUSING BENT PURLIN LIP

SH06
AA

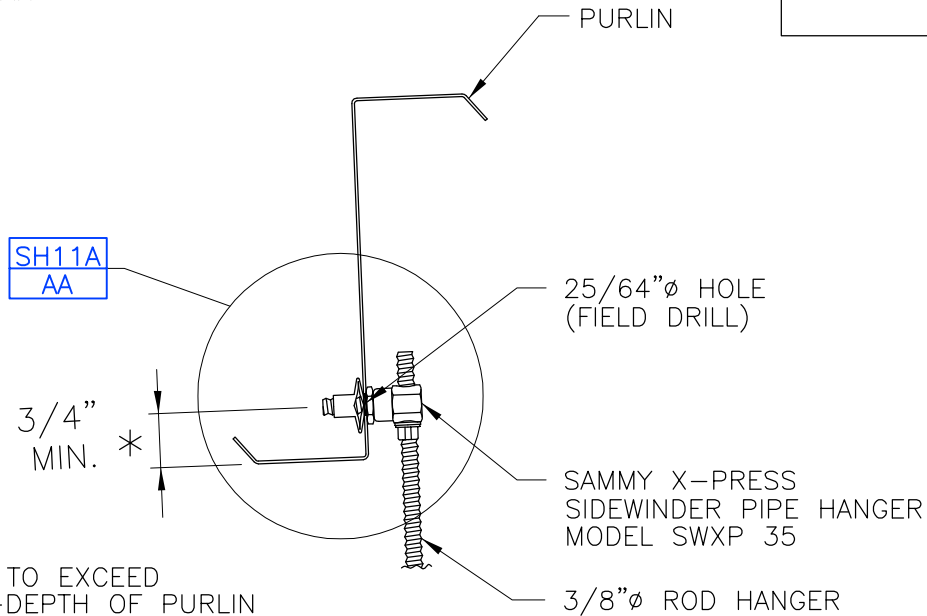
[Download the DWG file by clicking here.](#)

[To Section Index](#)

Hanger Detail at Purlins
Roof Slopes Less Than or Equal to 1:12
SH11/AA

500# CAPACITY
ROOF SLOPE LESS THAN
OR EQUAL TO 1:12

SEE ALSO (SH14AA)
(SH15AA)



NOTE:

USE OF THIS DETAIL WILL REQUIRE THE
ROD HANGER TO BE BENT AFTER INSTALLATION
SO THAT IT HANGS VERTICALLY.
THE METAL BUILDING SUPPLIER IS NOT
RESPONSIBLE FOR THE DESIGN OR ADEQUACY
OF THE BENT ROD HANGER.

HANGER DETAIL AT PURLINS

ROOF SLOPES LESS THAN OR EQUAL TO 1:12

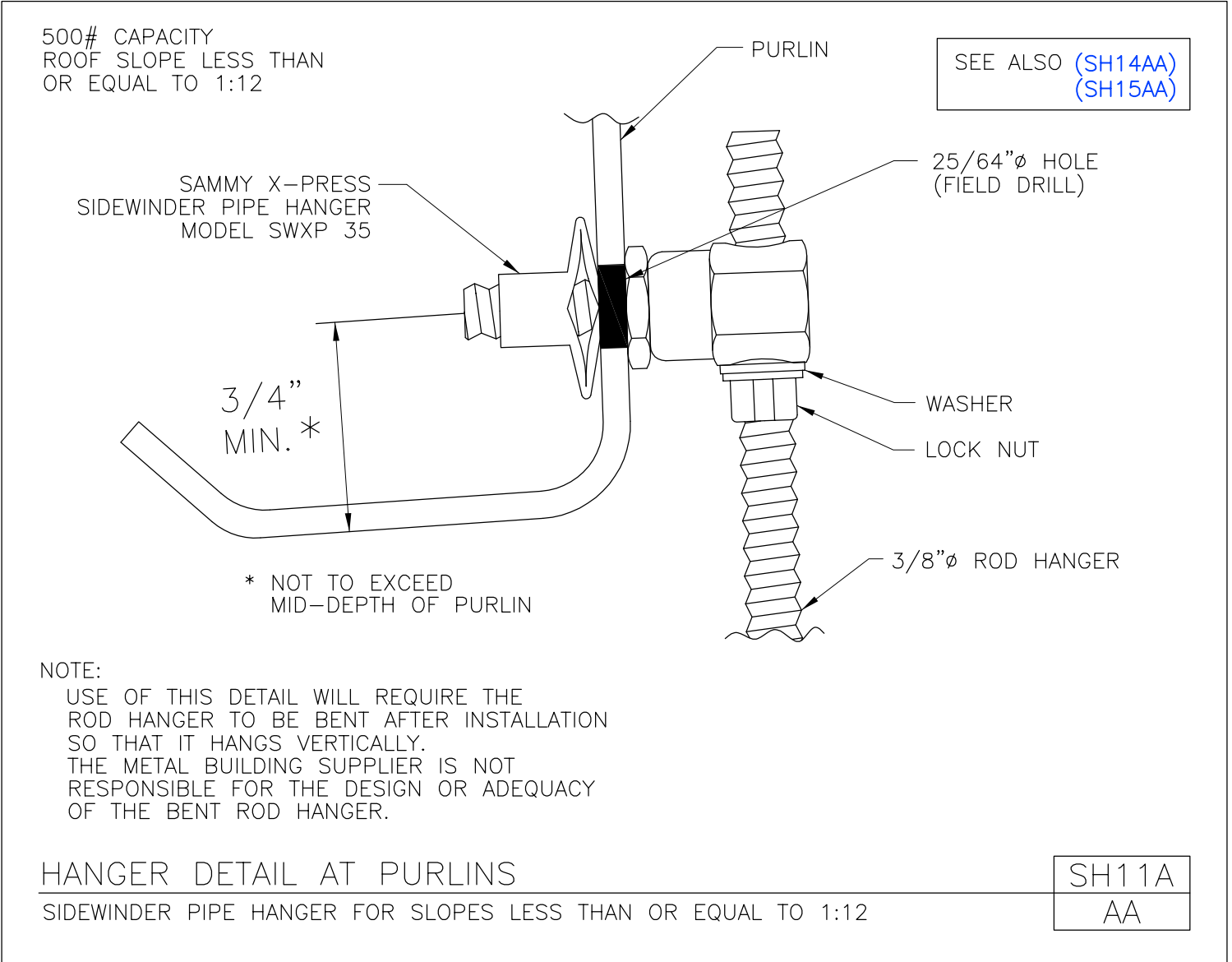
SH11
AA

[Download the DWG file by clicking here.](#)

Hanger Details at Purlins

Sidewinder Pipe Hanger for Slopes Less Than or Equal to 1:12

SH11A/AA



[Download the DWG file by clicking here.](#)

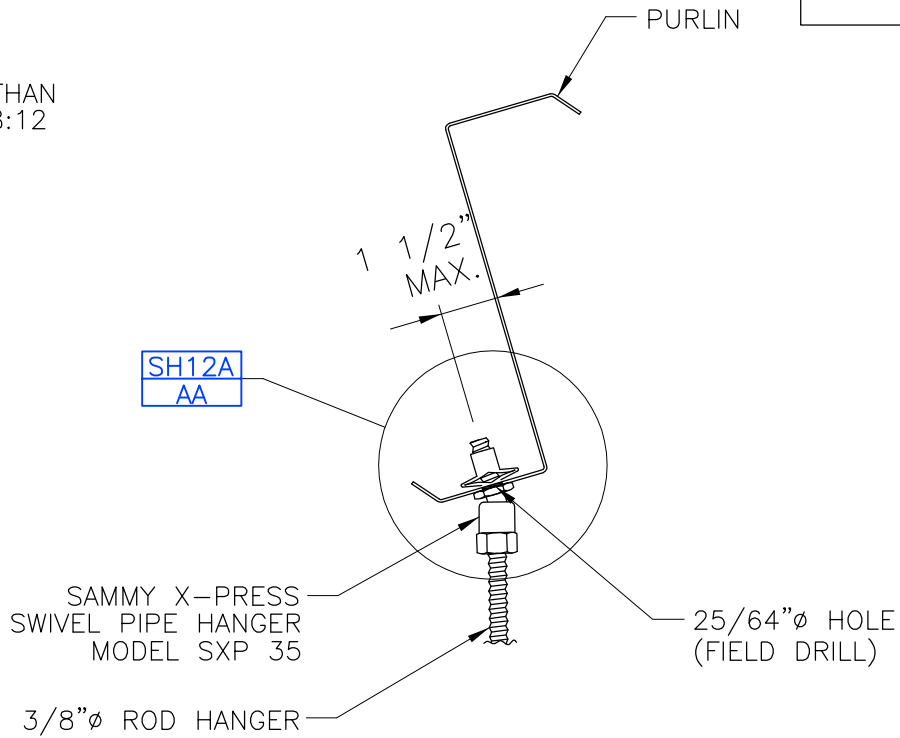
[To Section Index](#)

Hanger Detail at Purlins
Roof Slopes Less Than 8:12
SH12/AA

375# CAPACITY
ROOF SLOPE LESS THAN
OR EQUAL TO 4:12

250# CAPACITY
ROOF SLOPE GREATER THAN
4:12, BUT LESS THAN 8:12

SEE ALSO (SH14AA)
(SH15AA)



NOTE:
PURLIN LIP MUST NOT
BE DISTORTED.

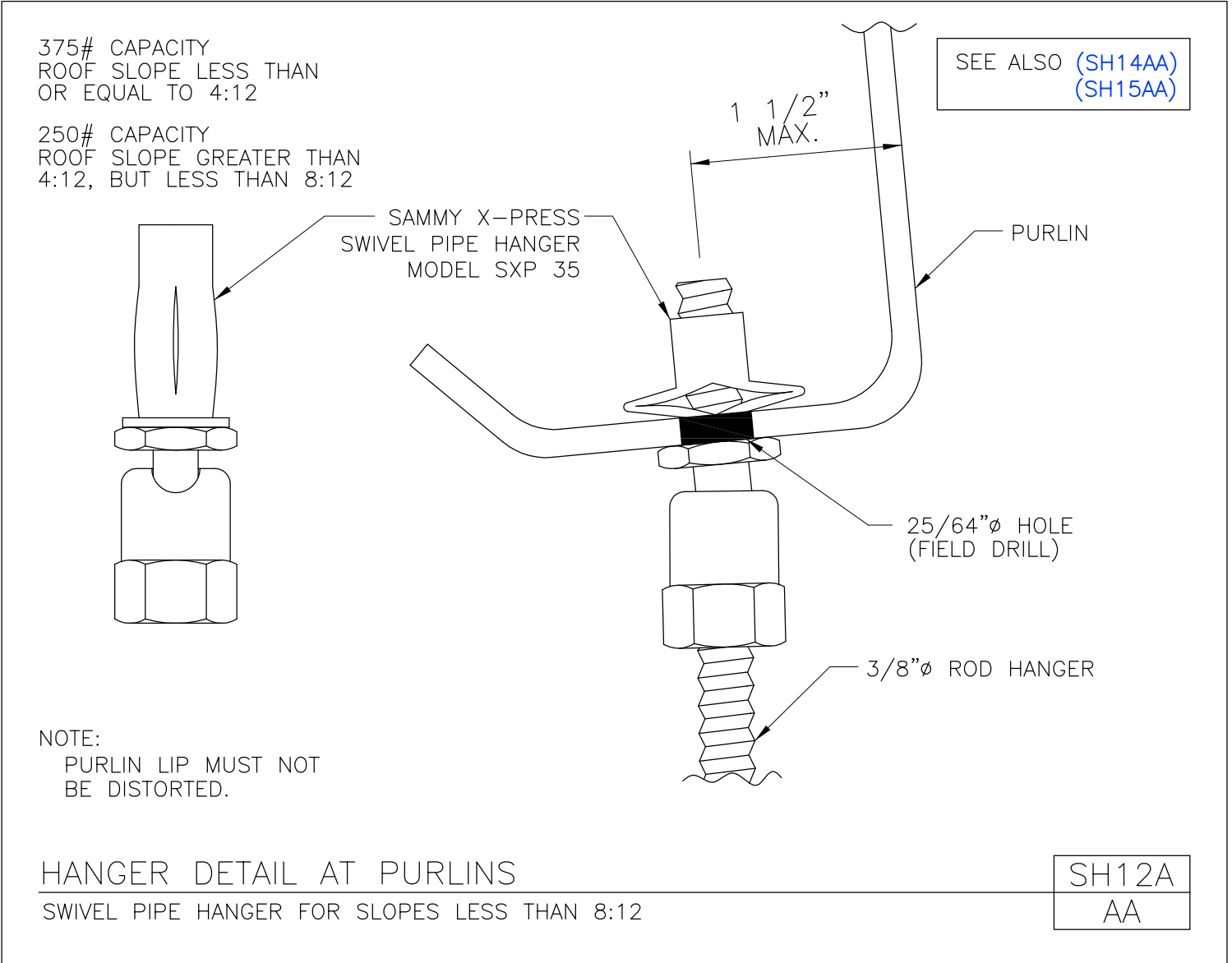
HANGER DETAIL AT PURLINS
ROOF SLOPES LESS THAN 8:12

SH12
AA

[Download the DWG file by clicking here.](#)

[To Section Index](#)

Hanger Detail at Purlins
Swivel Pipe Hanger for Slopes Less Than 8:12
SH12A/AA



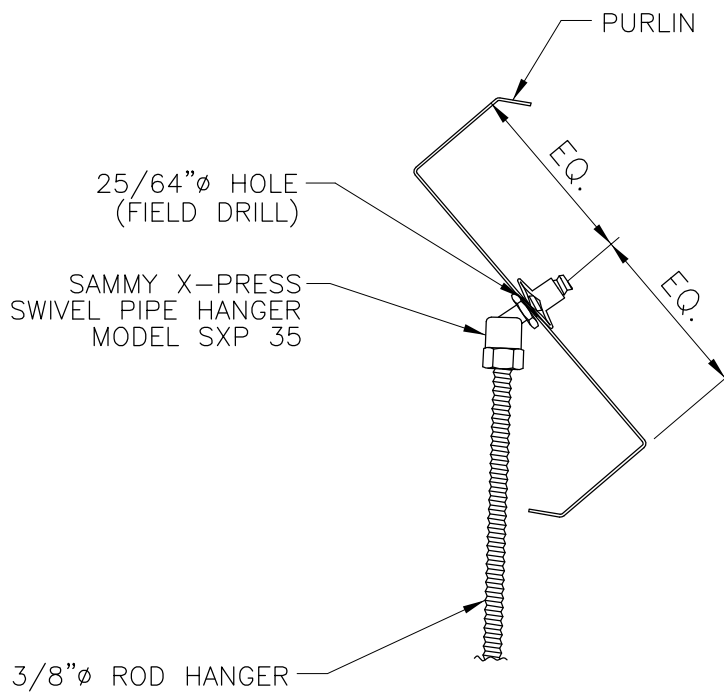
[Download the DWG file by clicking here.](#)

[To Section Index](#)

Hanger Detail at Purlins
Roof Slopes Greater Than or Equal to 8:12
SH13/AA

250# CAPACITY
ROOF SLOPE GREATER THAN
OR EQUAL TO 8:12

SEE ALSO [\(SH14AA\)](#)
[\(SH15AA\)](#)



HANGER DETAIL AT PURLINS
ROOF SLOPES GREATER THAN OR EQUAL TO 8:12

SH13
AA

[Download the DWG file by clicking here.](#)

[To Section Index](#)

Websites for Preapproved Hanger Devices

SH14/AA

**CADDY PURLIN CLAMP MODEL 315 IS AVAILABLE VIA THE
MANUFACTURER'S WEBSITE:**

www.erico.com

**SAMMY X-PRESS SWIVEL PIPE HANGER MODEL SXP 35
SAMMY X-PRESS SIDEWINDER PIPE HANGER MODEL SWXP 35
AND INSTALLATION TOOLS ARE AVAILABLE VIA THE
MANUFACTURER'S WEB SITE:**

www.sammysuperscrew.com/sammyxpress.htm

WEBSITES FOR PREAPPROVED HANGER DEVICES

SH14
AA

[Download the DWG file by clicking here.](#)

[To Section Index](#)

General Notes

SH15/AA

NOTE:

OTHER METHODS OF ATTACHING HANGING LOADS, NOT DEPICTED ON DETAILS SH01, SH02, SH03, SH11, SH12, AND SH13, ARE GENERALLY PERMITTED.

HOWEVER, THE HANGER LOAD MUST NOT EXCEED 50 POUNDS PER HANGER LOCATION (WITHOUT SPECIFIC PRIOR APPROVAL FROM A QUALIFIED DESIGN PROFESSIONAL FOR A PARTICULAR LOAD).

GENERAL HANGER NOTES

SH15
AA

[Download the DWG file by clicking here.](#)

[To Section Index](#)

Hanger Capacities Warning

SH16/AA

WARNING

THE HANGER CAPACITIES SHOWN ON THE AMERICAN BUILDINGS COMPANY DETAILS REPRESENT THE MAXIMUM ALLOWABLE SINGLE HANGING LOAD THAT A TYPICAL PURLIN CAN SAFELY SUPPORT UNDER THE BEST OF CIRCUMSTANCES USING THE PARTICULAR HANGER DEVICE SHOWN IN THE DETAIL.

MANY FACTORS BEYOND THE CONTROL OF THE METAL BUILDING SUPPLIER AFFECT THE ABILITY OF A PURLIN TO SAFELY SUPPORT HANGING LOADS COMBINED WITH OTHER REQUIRED ROOF LOADS. DUE TO THE VARIABLES INVOLVED IN HANGING LOADS AND THEIR ATTACHMENTS TO THE PURLINS, THE METAL BUILDING SUPPLIER CANNOT ASSURE THAT THE PURLINS FOR A PARTICULAR BUILDING PROJECT CAN SAFELY SUPPORT THE MAXIMUM ALLOWABLE HANGING LOADS IN COMBINATION WITH OTHER ROOF LOADS.

IT IS THE RESPONSIBILITY OF THE HANGER SYSTEM INSTALLER TO COORDINATE WITH THE ENGINEER OF RECORD FOR THE OVERALL PROJECT TO ENSURE A SAFE HANGING LOAD INSTALLATION. THE METAL BUILDING ENGINEER IS NOT THE ENGINEER OF RECORD FOR THE OVERALL PROJECT. WITHOUT SPECIFIC CERTIFICATION FOR INDIVIDUAL HANGING LOADS, THE NET EFFECTS OF APPLIED HANGER LOADS INSTALLED ON A PARTICULAR PURLIN SHALL NOT EXCEED THE NET EFFECTS OF THE CERTIFIED UNIFORMLY APPLIED DESIGN COLLATERAL LOAD. SEE SHEET ABC-1.

HANGER CAPACITIES WARNING

SH16
AA

[Download the DWG file by clicking here.](#)

[To Section Index](#)

Collateral Point Load Note

SH17/AA

COLLATERAL DEAD LOADS, UNLESS OTHERWISE NOTED, ARE ASSUMED TO BE UNIFORMLY DISTRIBUTED. WHEN SUSPENDED SPRINKLER SYSTEMS, LIGHTING, HVAC EQUIPMENT, CEILINGS, ETC., ARE SUSPENDED FROM ROOF MEMBERS, CONSULT THE M.B.S. IF THESE CONCENTRATED LOADS EXCEED 500 POUNDS (USING THE WEB MOUNT DETAIL) OR 200 POUNDS (USING THE FLANGE MOUNT DETAIL) , OR IF INDIVIDUAL MEMBERS ARE LOADED SIGNIFICANTLY MORE THAN OTHERS.

COLLATERAL POINT LOAD NOTE

SH17
AA

[Download the DWG file by clicking here.](#)

[To Section Index](#)