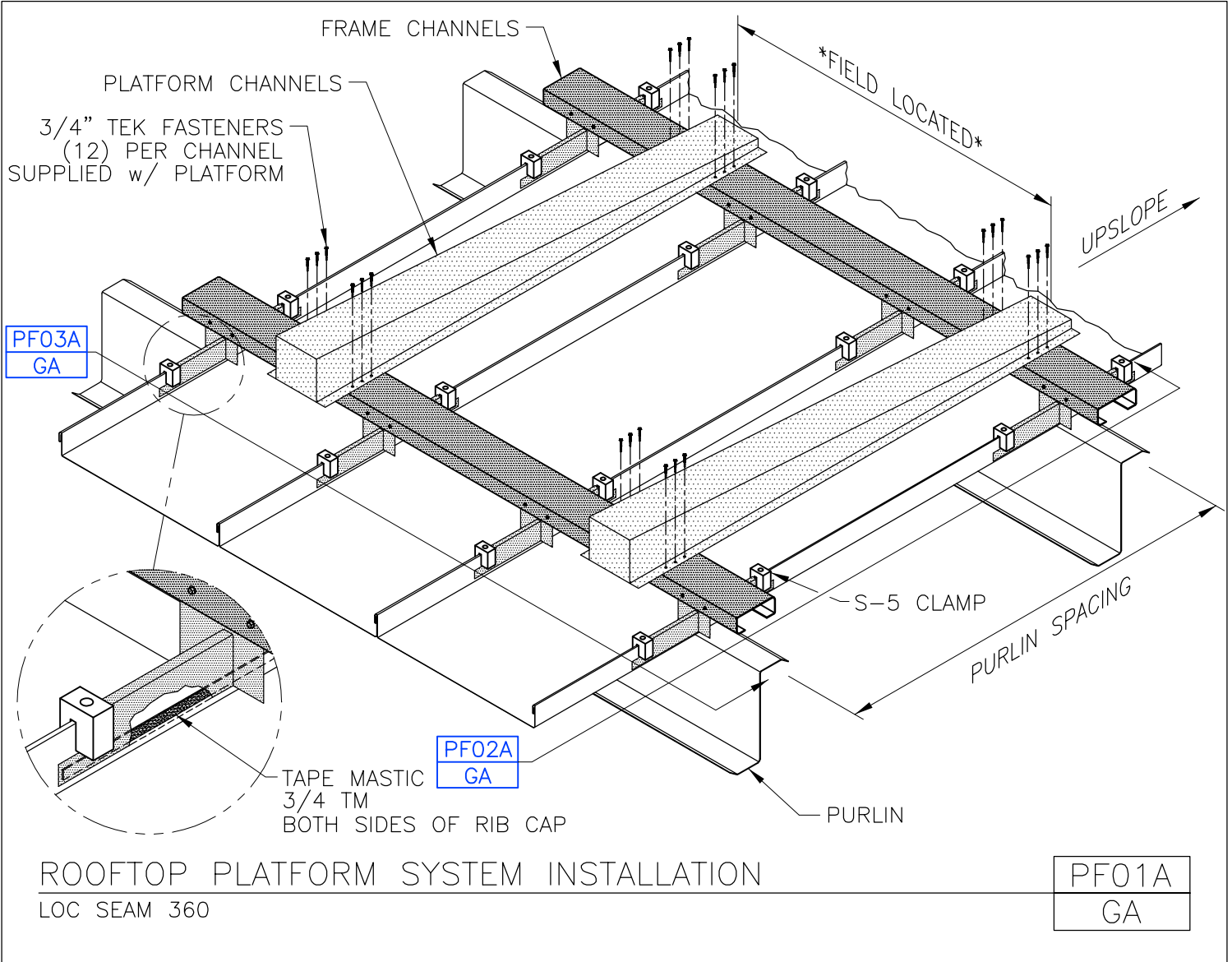


Product Manual - Roof Platforms

[PF01A/GA, Rooftop Platform System Installation](#)
[PF01/BA, Rooftop Platform System Installation](#)
[PF01/GA, Rooftop Platform System Installation](#)
[PF01/SA, Rooftop Platform System Installation](#)
[PF02A/GA, Section Detail of Rooftop Platform System](#)
[PF02/BA, Section Detail of Rooftop Platform System](#)
[PF02/GA, Section Detail of Rooftop Platform System](#)
[PF02/SA, Section Detail of Rooftop Platform System](#)
[PF03A/GA, Section Detail of Rooftop Platform System](#)
[PF03/BA, Section Detail of Rooftop Platform System](#)
[PF03/GA, Section Detail of Rooftop Platform System](#)
[PF03/SA, Section Detail of Rooftop Platform System](#)
[PF05/AA, Roof Platform Installation Instructions](#)

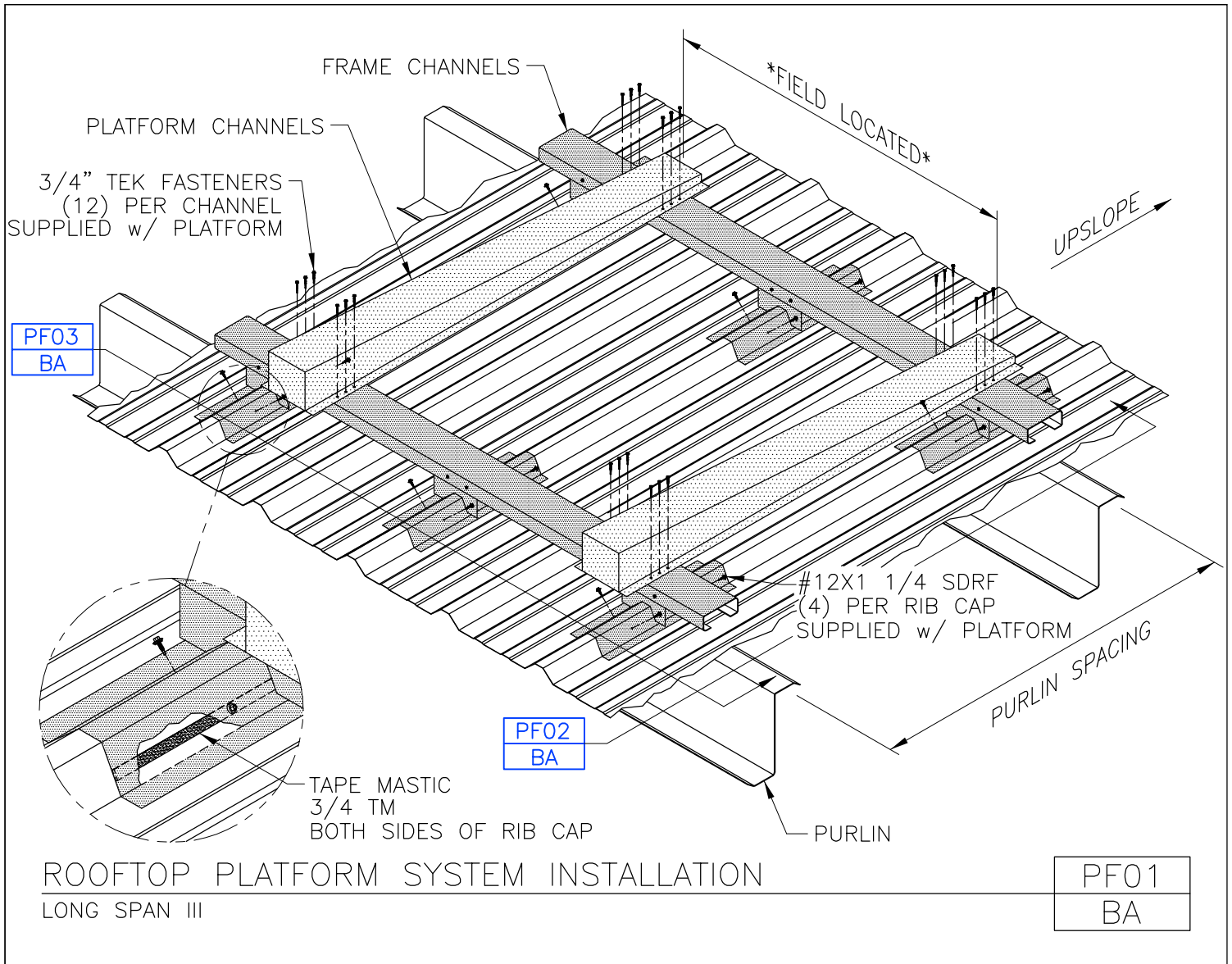
Rooftop Platform System Installation
 Loc Seam 360 Panel
 PF01A/GA



[Download the DWG file by clicking here.](#)

[To Section Index](#)

Rooftop Platform System Installation
Long Span III
PF01/BA



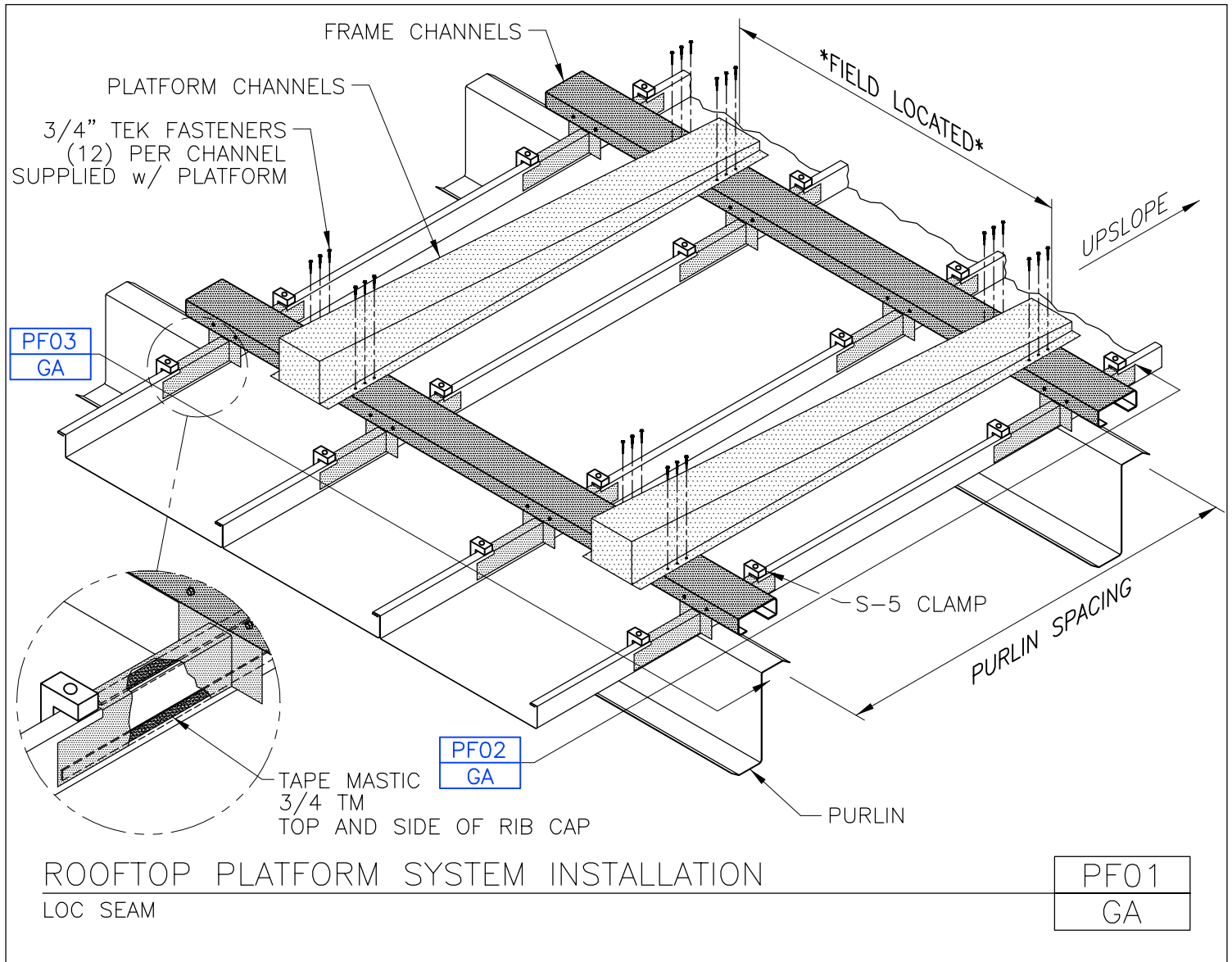
[Download the DWG file by clicking here.](#)

[To Section Index](#)

Rooftop Platform System Installation

Loc Seam Panel

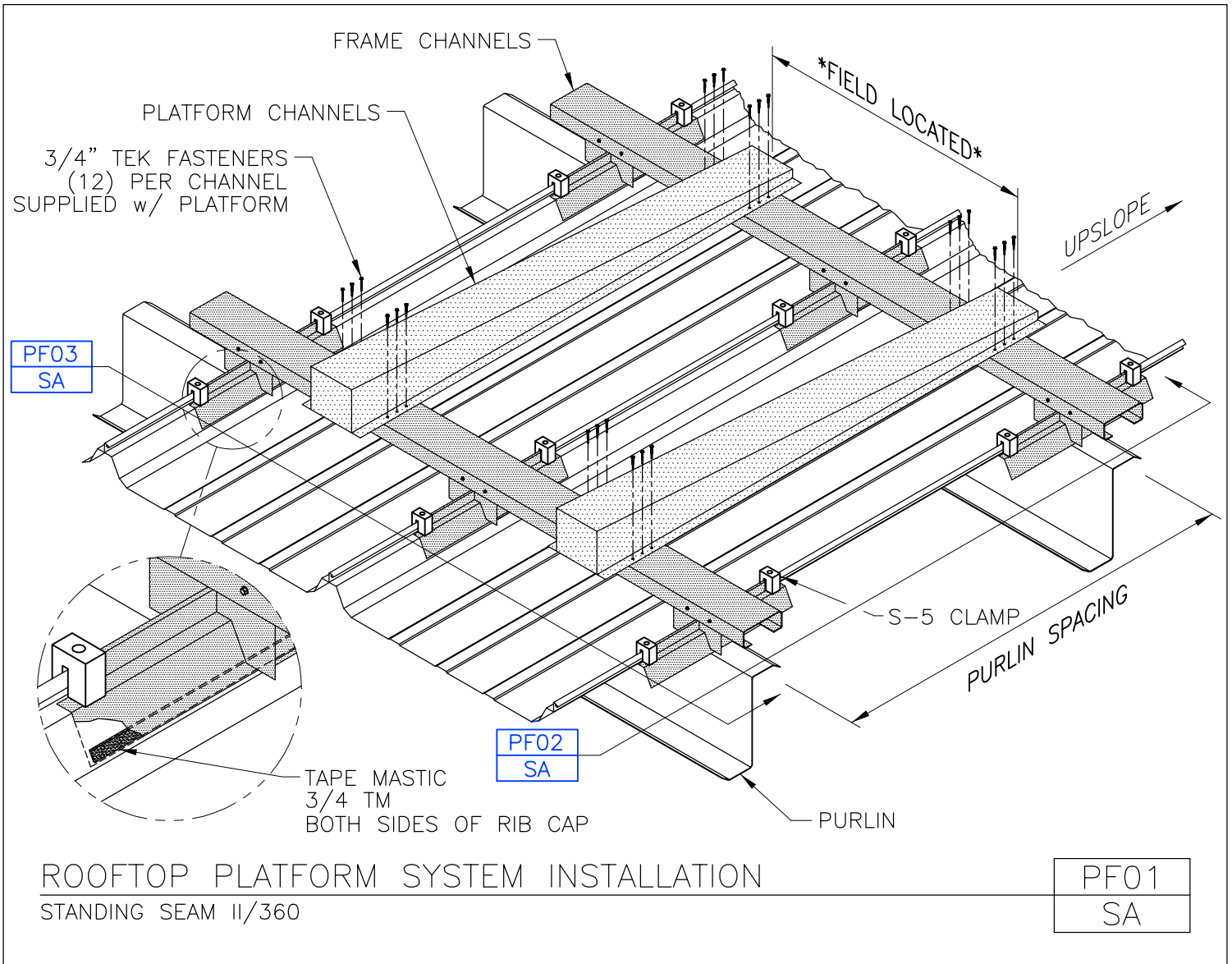
PF01/GA



[Download the DWG file by clicking here.](#)

[To Section Index](#)

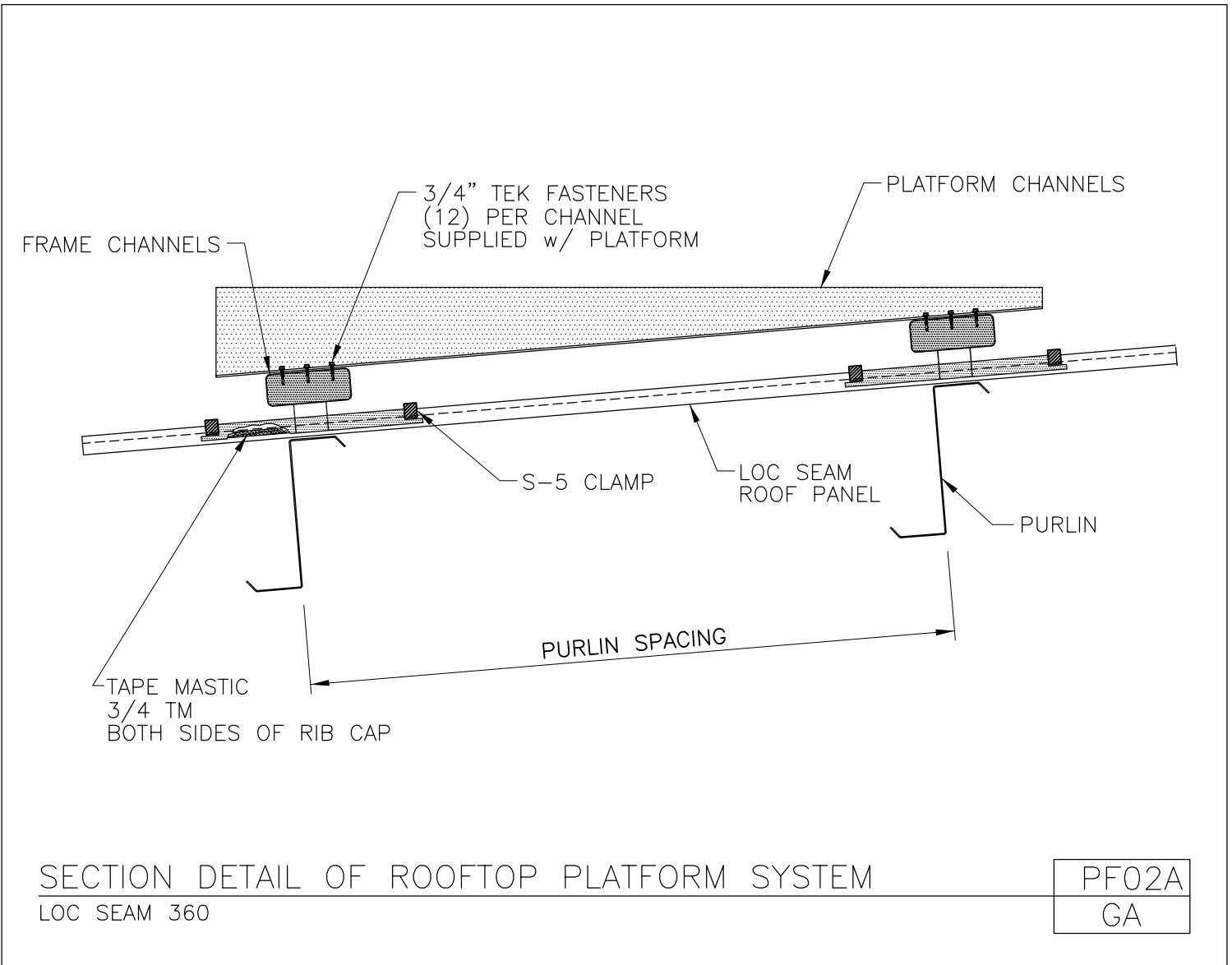
Rooftop Platform System Installation
Standing Seam II/360
PF01/SA



[Download the DWG file by clicking here.](#)

[To Section Index](#)

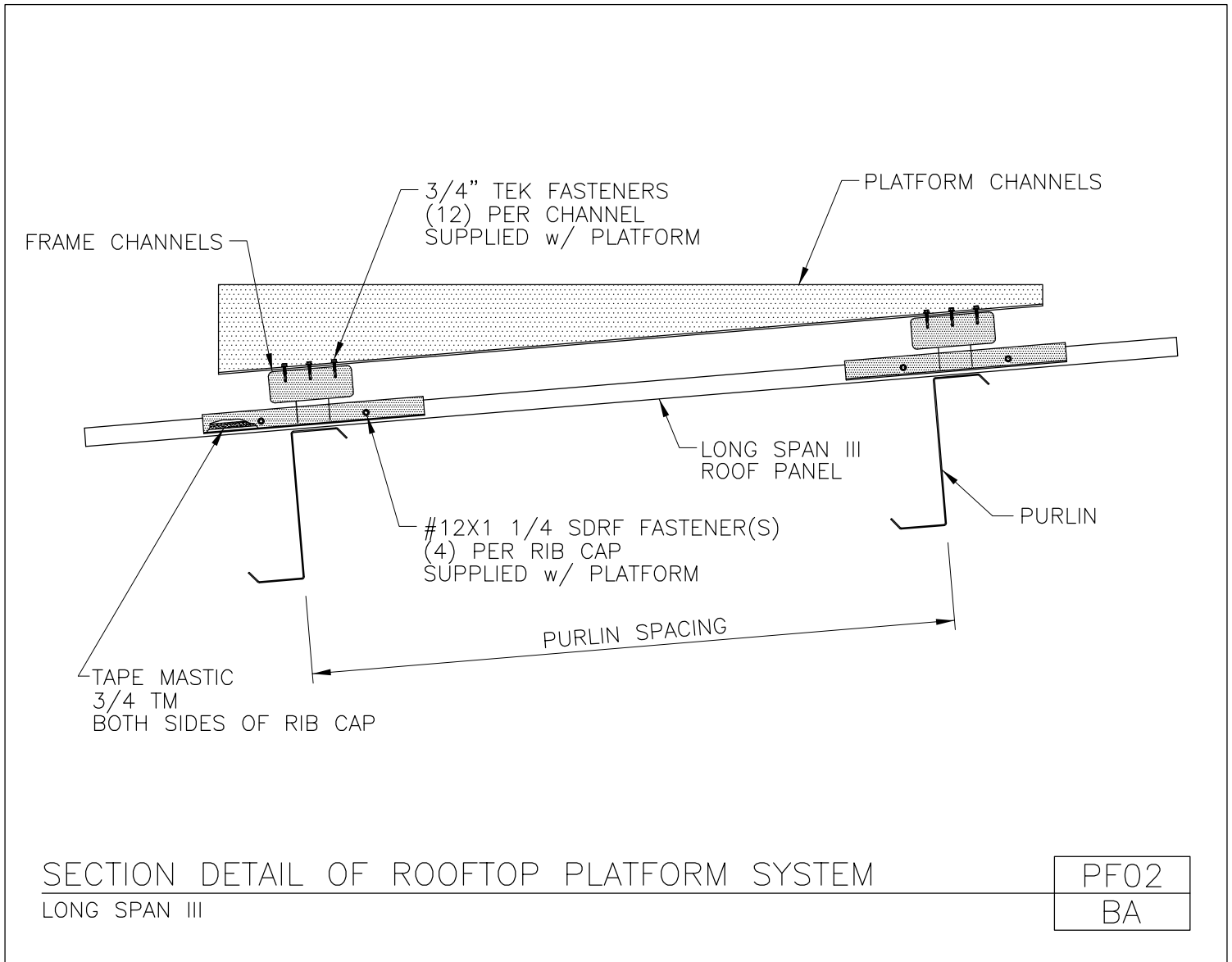
Section Detail of Rooftop Platform System
Loc Seam 360 Panel
PF02A/GA



[Download the DWG file by clicking here.](#)

[To Section Index](#)

Section Detail of Rooftop Platform System
Long Span III
PF02/BA



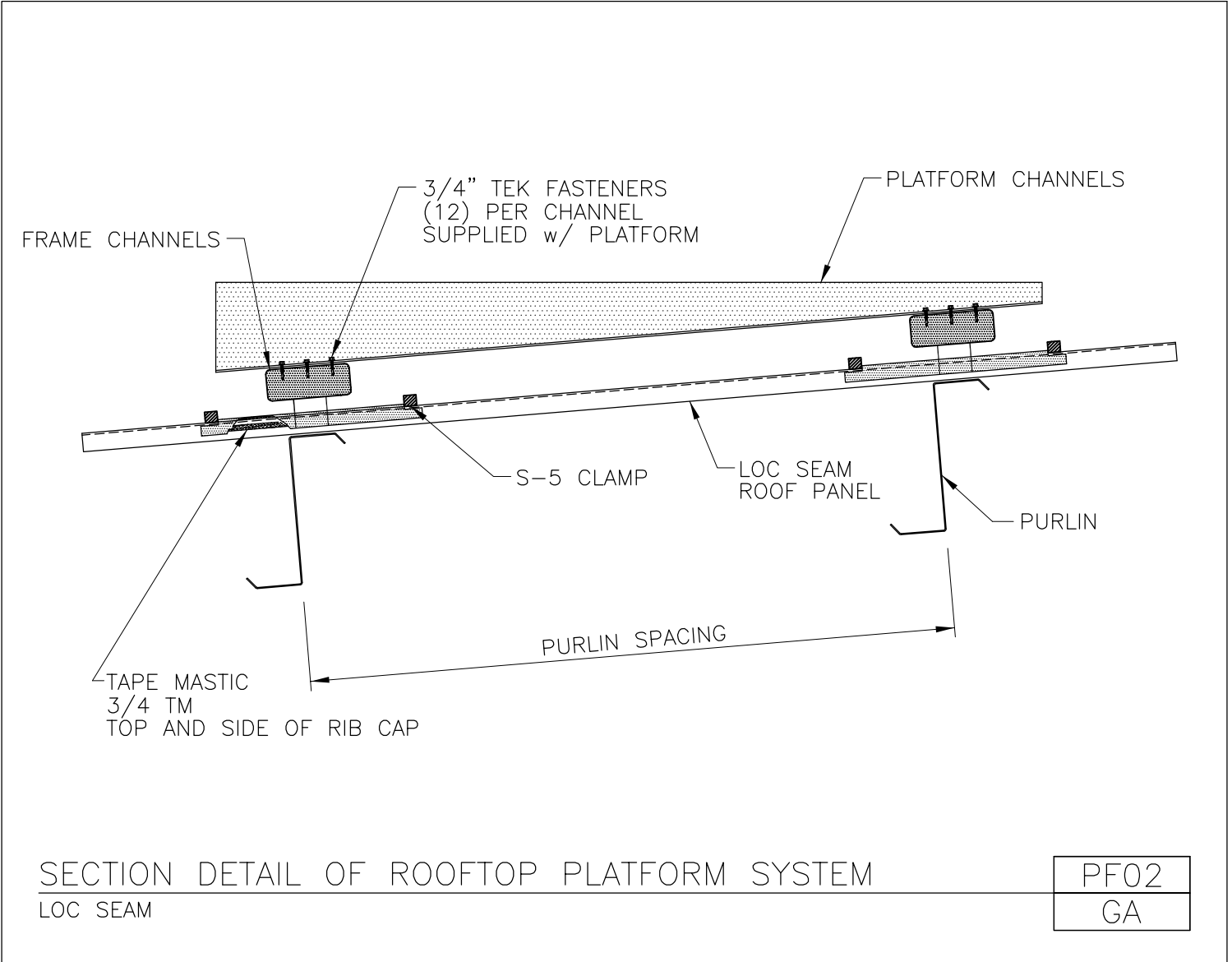
[Download the DWG file by clicking here.](#)

[To Section Index](#)

Section Detail of Rooftop Platform System

Loc Seam Panel

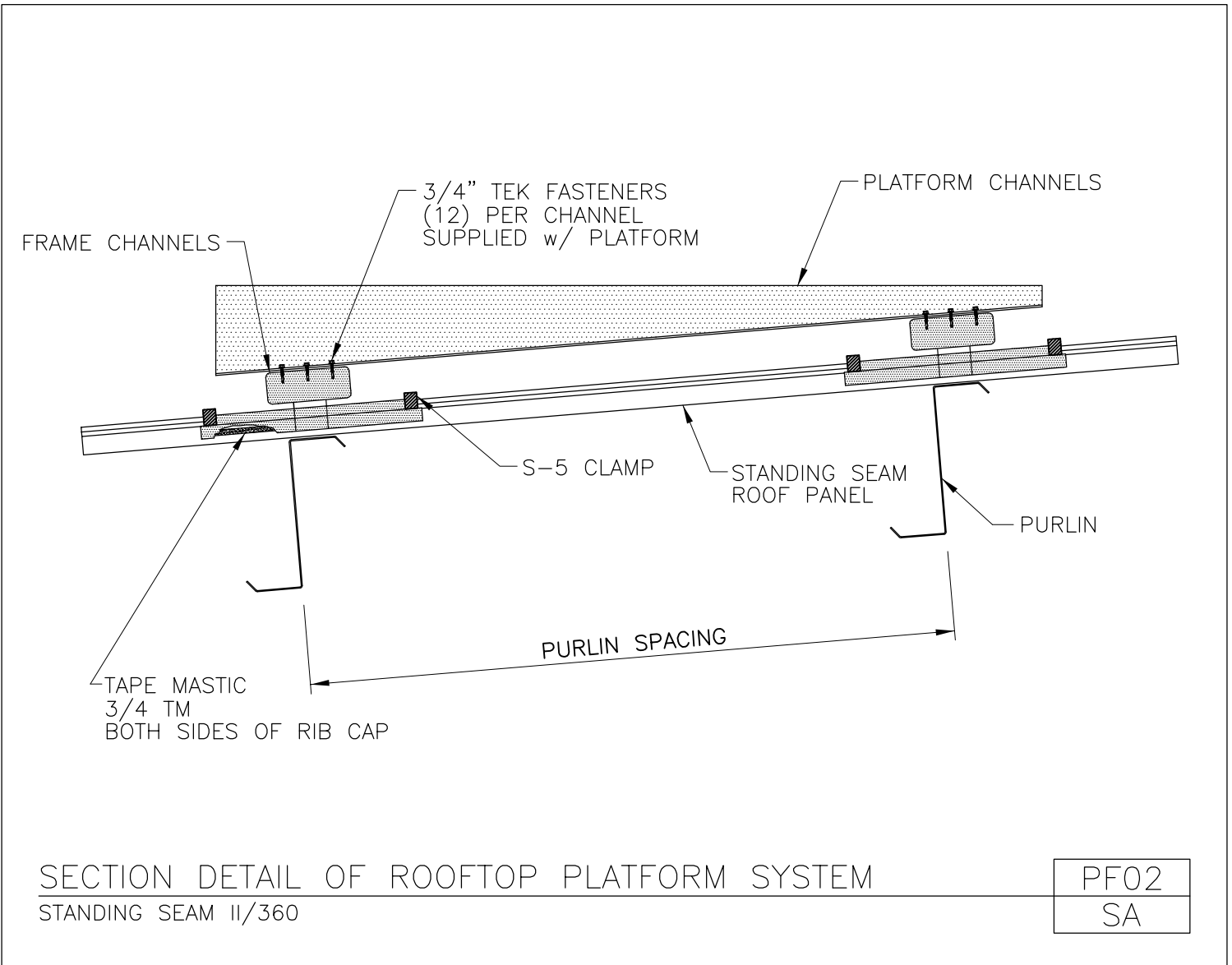
PF02/GA



[Download the DWG file by clicking here.](#)

[To Section Index](#)

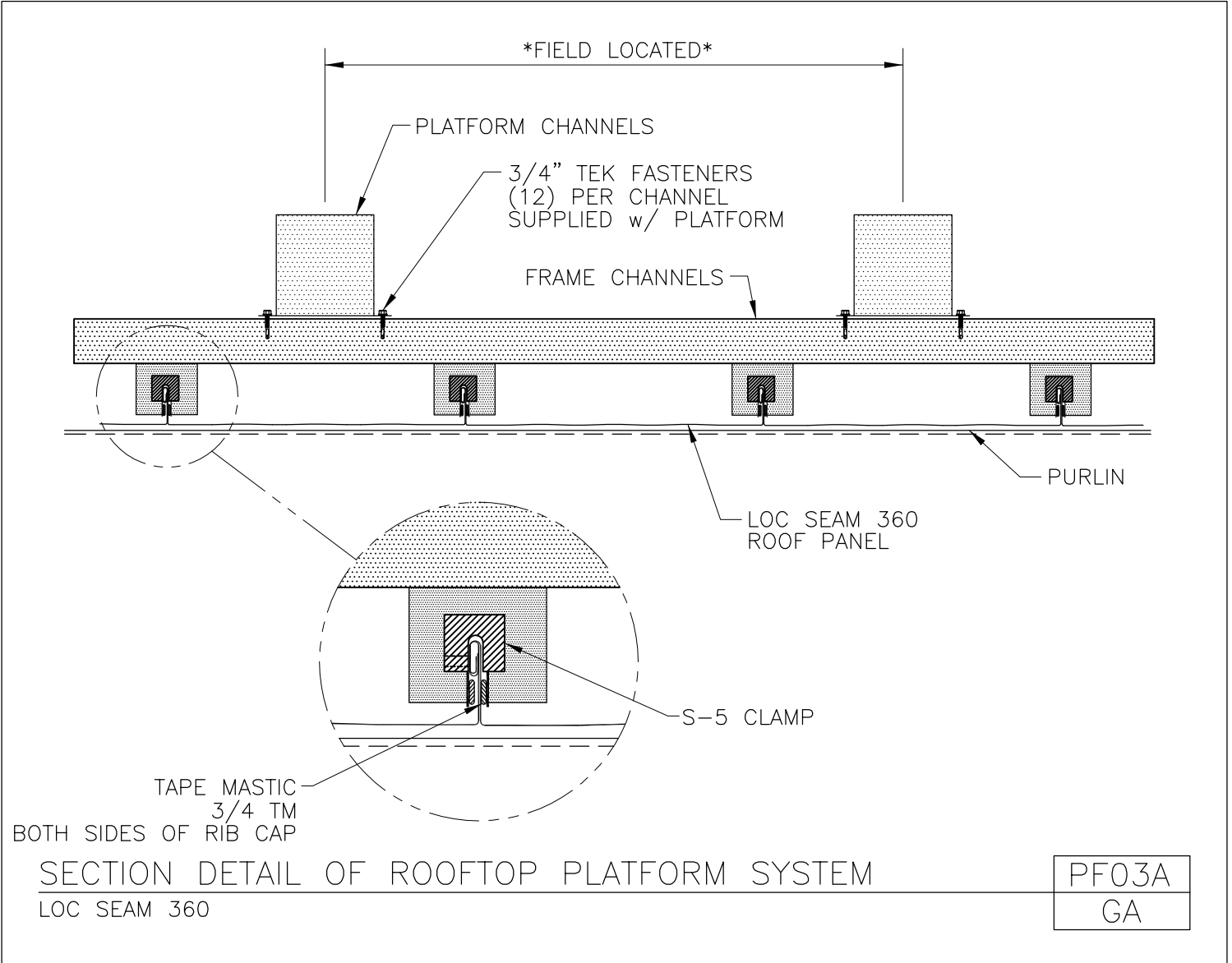
Section Detail of Rooftop Platform System
Standing Seam II/360
PF02/SA



[Download the DWG file by clicking here.](#)

[To Section Index](#)

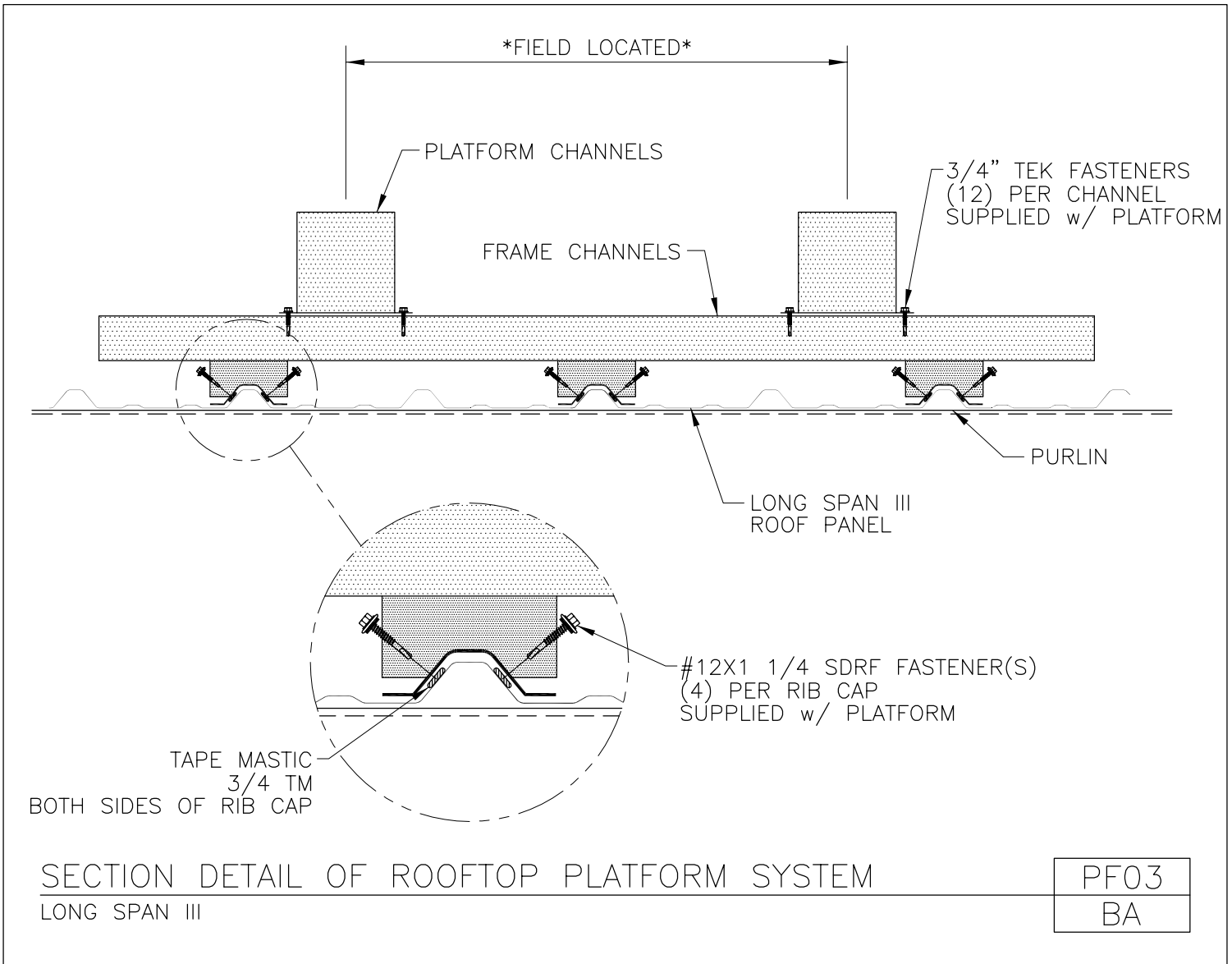
Section Detail of Rooftop Platform System
Loc Seam 360 Panel
PF03A/GA



[Download the DWG file by clicking here.](#)

[To Section Index](#)

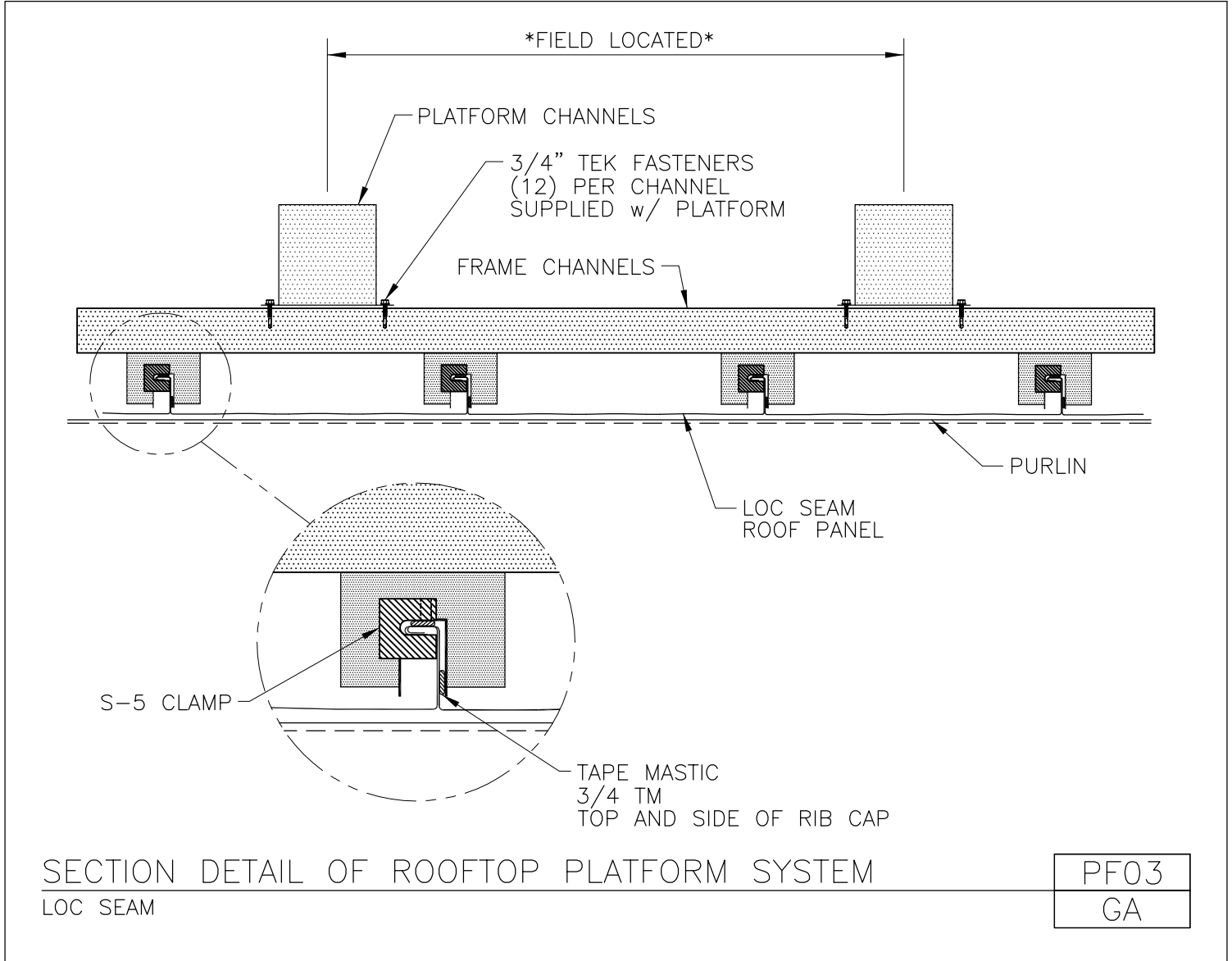
Section Detail of Rooftop Platform System
Long Span III
PF03/BA



[Download the DWG file by clicking here.](#)

[To Section Index](#)

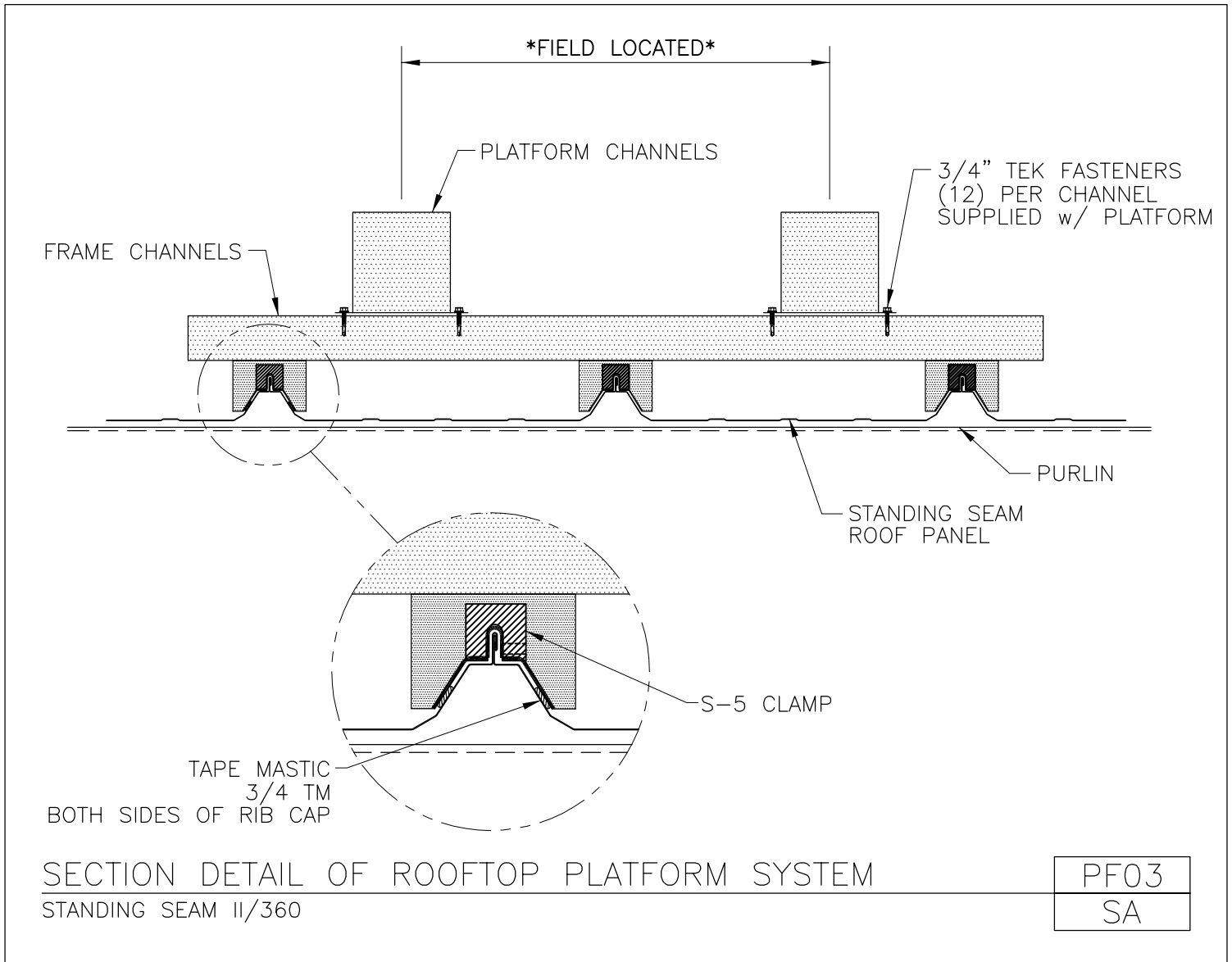
Section Detail of Rooftop Platform System
Loc Seam Panel
PF03/GA



[Download the DWG file by clicking here.](#)

[To Section Index](#)

Section Detail of Rooftop Platform System
Standing Seam II/360
PF03/SA

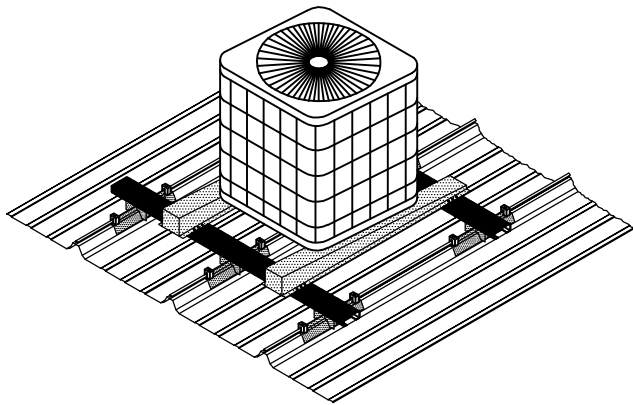


[Download the DWG file by clicking here.](#)

[To Section Index](#)

Roof Platform Installation Instructions
All Roof Panels
PF05/AA

Installation Instructions



1. Figure location of Roof Platform.
2. Locate purlins that will support Platform and HVAC Unit. Find and mark center of purlins on roof panel.
3. Apply 3/4" Tape Mastic under rib caps per specific roof panel details.
4. Center rib cap and frame channels on top of roof panels over purlin location.
5. Adjust platform channels to desired width and screw down to frame channels using 3/4" TEK Fasteners supplied in Roof Platform package.

- | | | |
|---|---|---|
| Standing Seam II }
Standing Seam 360 }
16" Loc Seam }
16" Loc Seam 360 } | } | 6. Secure rib caps to roof panel with supplied S-5 Utility Clamps, (2) per rib cap. |
| Long Span III } | } | 6. Secure rib caps to roof panel with supplied #12x1 1/4 SDRF Fasteners, (4) per rib cap. |

ROOF PLATFORM INSTALLATION INSTRUCTIONS
ALL ROOF PANELS

PF05
AA

[Download the DWG file by clicking here.](#)

[To Section Index](#)