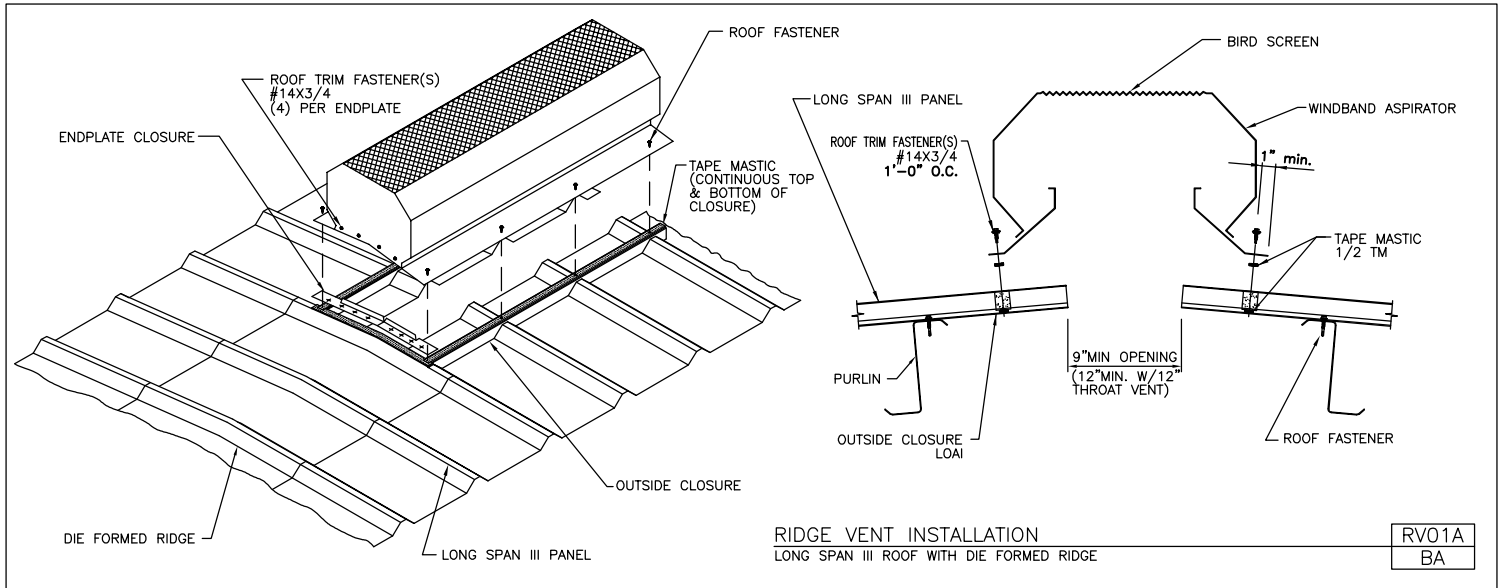


Product Manual - Roof Ventilators

[RV01A/BA, Ridge Vent Installation](#)
[RV01A/GA, 9" Ridge Vent Installation](#)
[RV01/BA, Ridge Vent Installation](#)
[RV01/GA, Ridge Vent Installation](#)
[RV01/SA, Ridge Vent Installation](#)
[RV11/BA, Ridge Vent Splicing Detail](#)
[RV11/GA, Vent Splicing Detail](#)
[RV11/SA, Vent Splicing Detail](#)
[RV21/BA, Round Vent Detail at Ridge](#)
[RV21/SA, Round Vent Detail at Ridge](#)
[RV30/BA, Round Vent Detail at Ridge](#)
[RV30/GA, Round Vent Detail at Ridge](#)
[RV36/BA, Round Vent Detail on Roof Slope](#)
[RV36/SA, Ventilator Detail on Roof Slope](#)

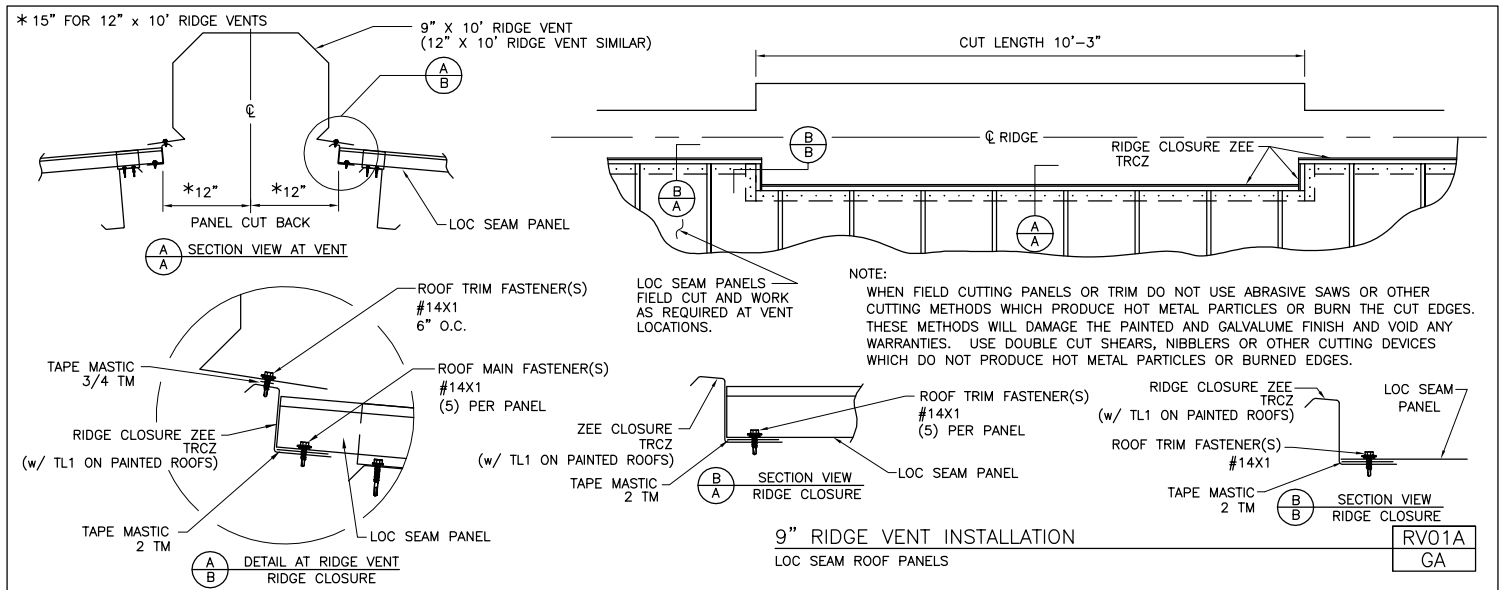
Ridge Vent Installation
 Longspan III Roof w/ Die Formed Ridge
 RV01A/BA



[Download the DWG file by clicking here.](#)

[To Section Index](#)

9" Ridge Vent Installation
 Loc Seam Panel
 RV01A/GA



[Download the DWG file by clicking here.](#)

[To Section Index](#)



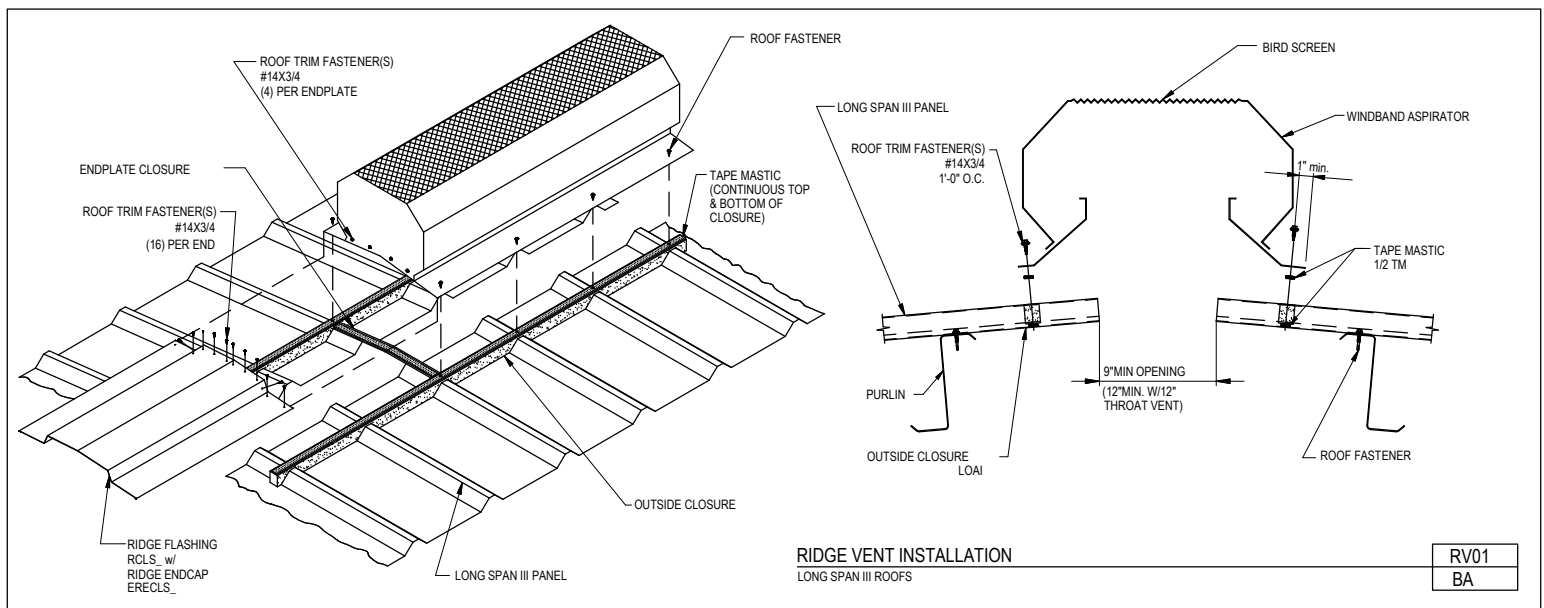
AMERICAN BUILDINGS

A NUCOR COMPANY

PRODUCT MANUAL

ROOF VENTILATORS

Ridge Vent Installation Long Span III Roofs RV01/BA



[Download the DWG file by clicking here.](#)

[To Section Index](#)



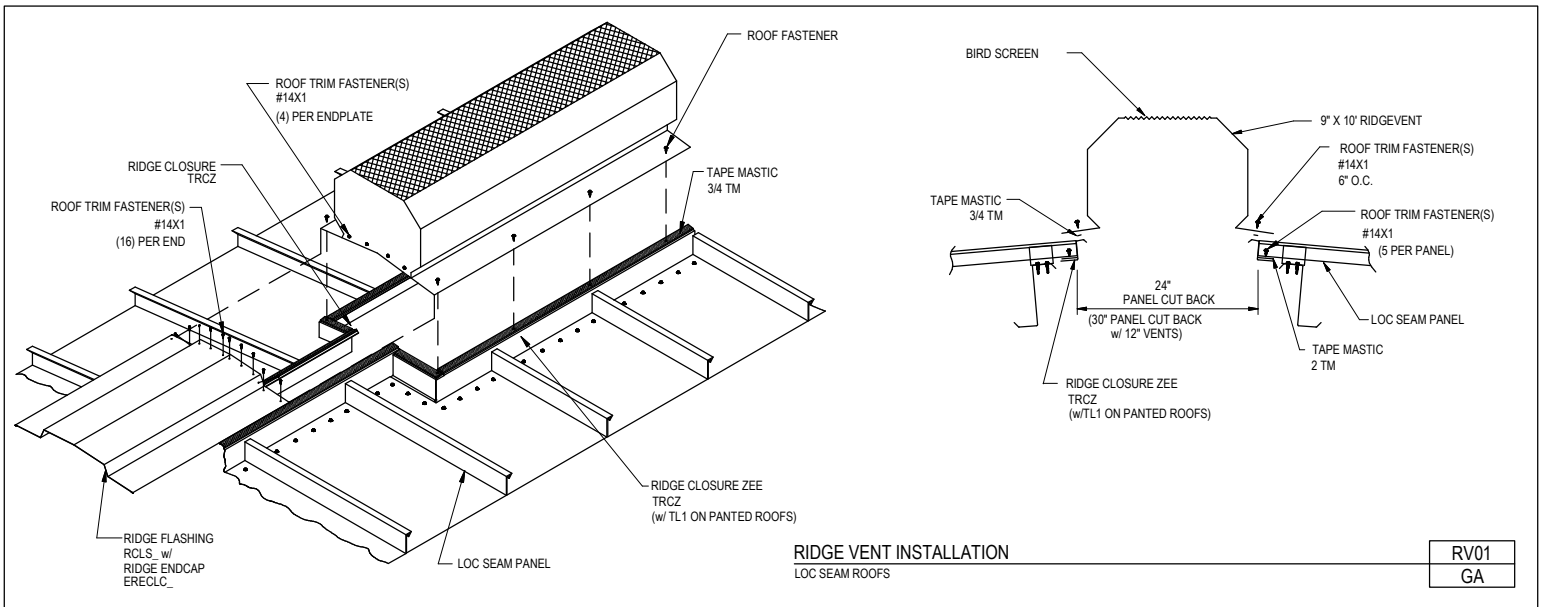
AMERICAN BUILDINGS

A NUCOR COMPANY

PRODUCT MANUAL

ROOF VENTILATORS

Ridge Vent Installation Loc Seam Roofs RV01/GA



[Download the DWG file by clicking here.](#)

[To Section Index](#)



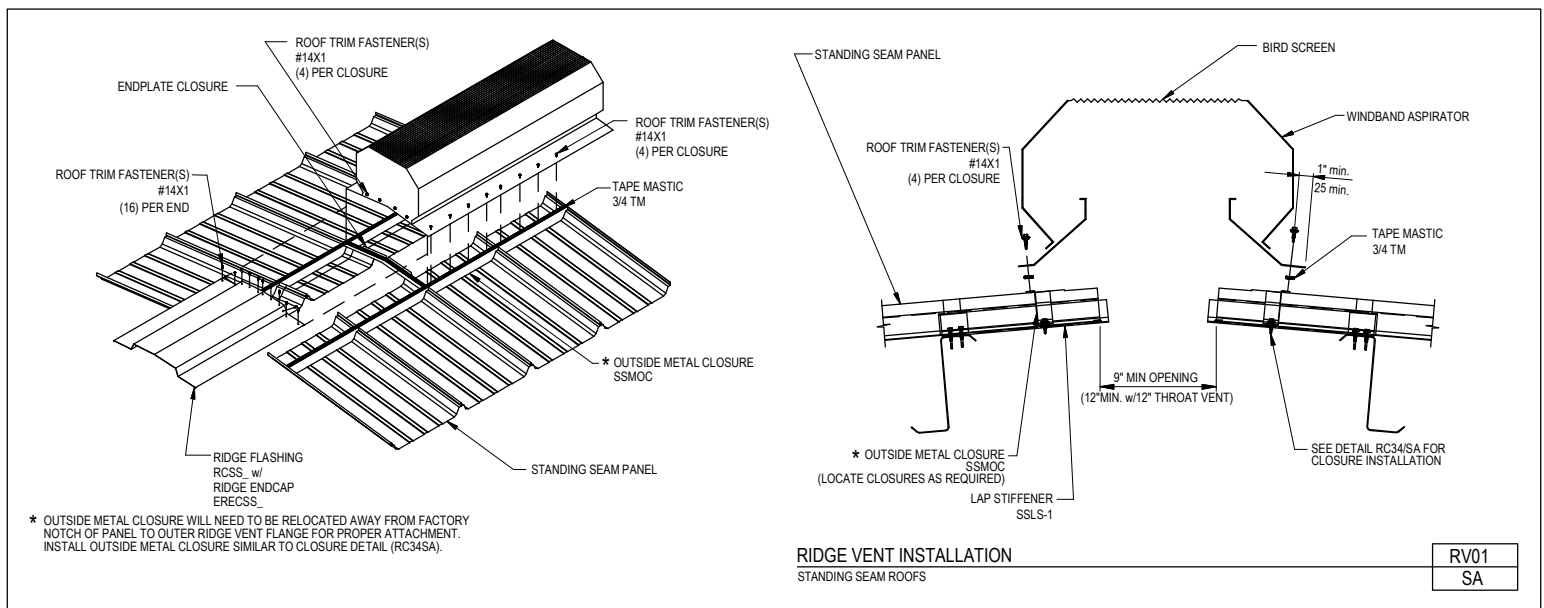
AMERICAN BUILDINGS

A NUCOR COMPANY

PRODUCT MANUAL

ROOF VENTILATORS

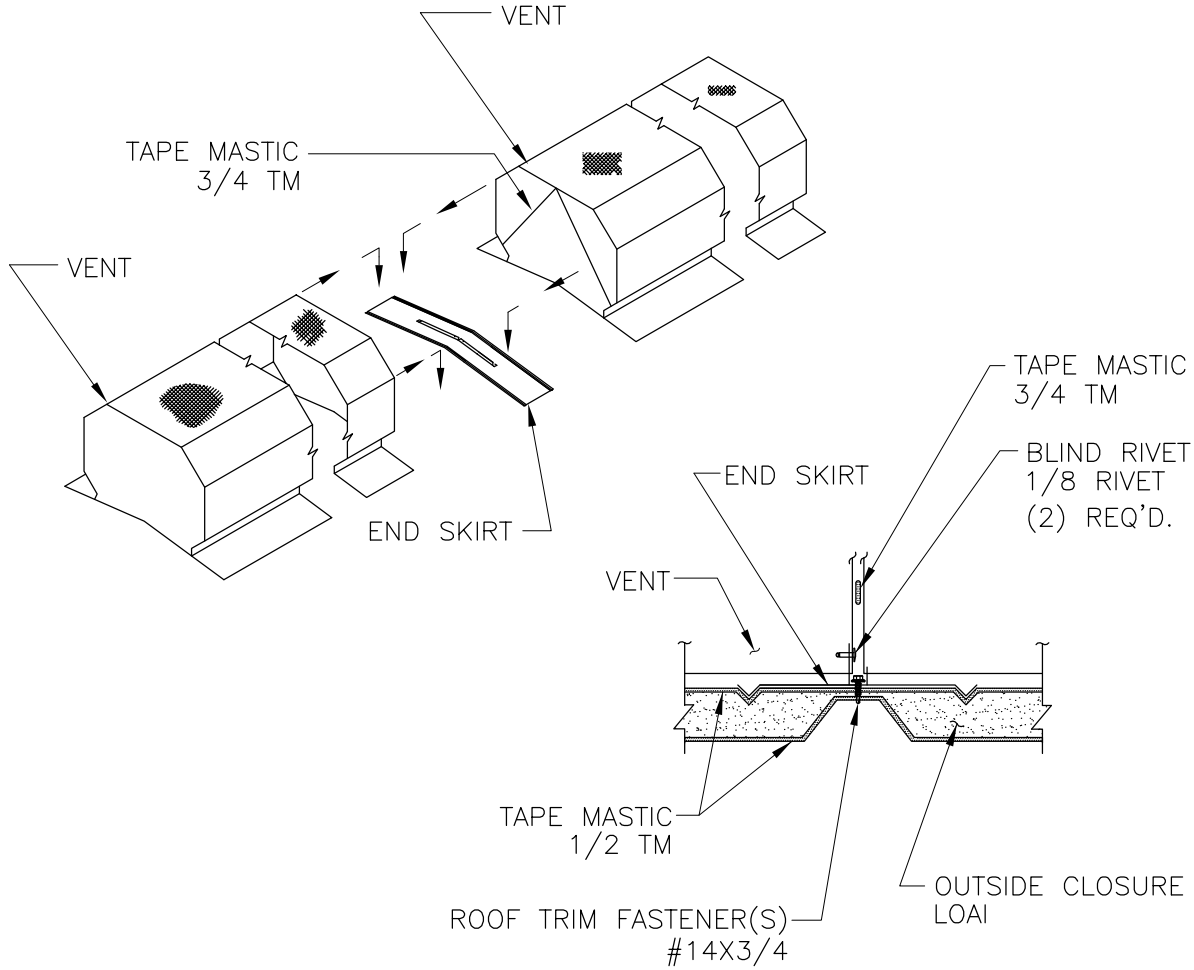
Ridge Vent Installation Standing Seam Roofs RV01/SA



[Download the DWG file by clicking here.](#)

[To Section Index](#)

Ridge Vent Splicing Detail
Longspan III Roofs
RV11/BA



RIDGE VENT SPLICING DETAIL
LONG SPAN III ROOFS

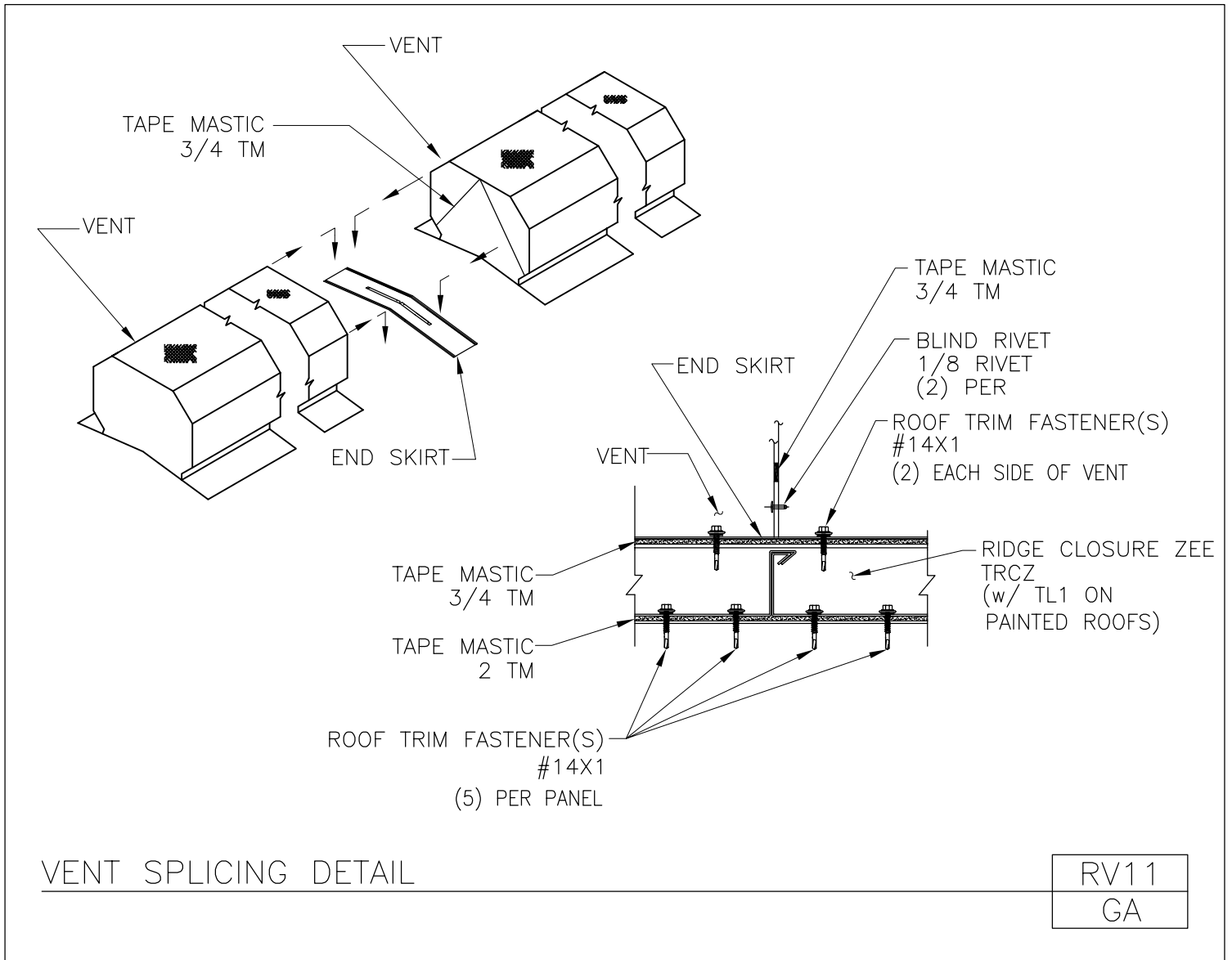
RV11
BA

[Download the DWG file by clicking here.](#)

[To Section Index](#)

Vent Splicing Detail

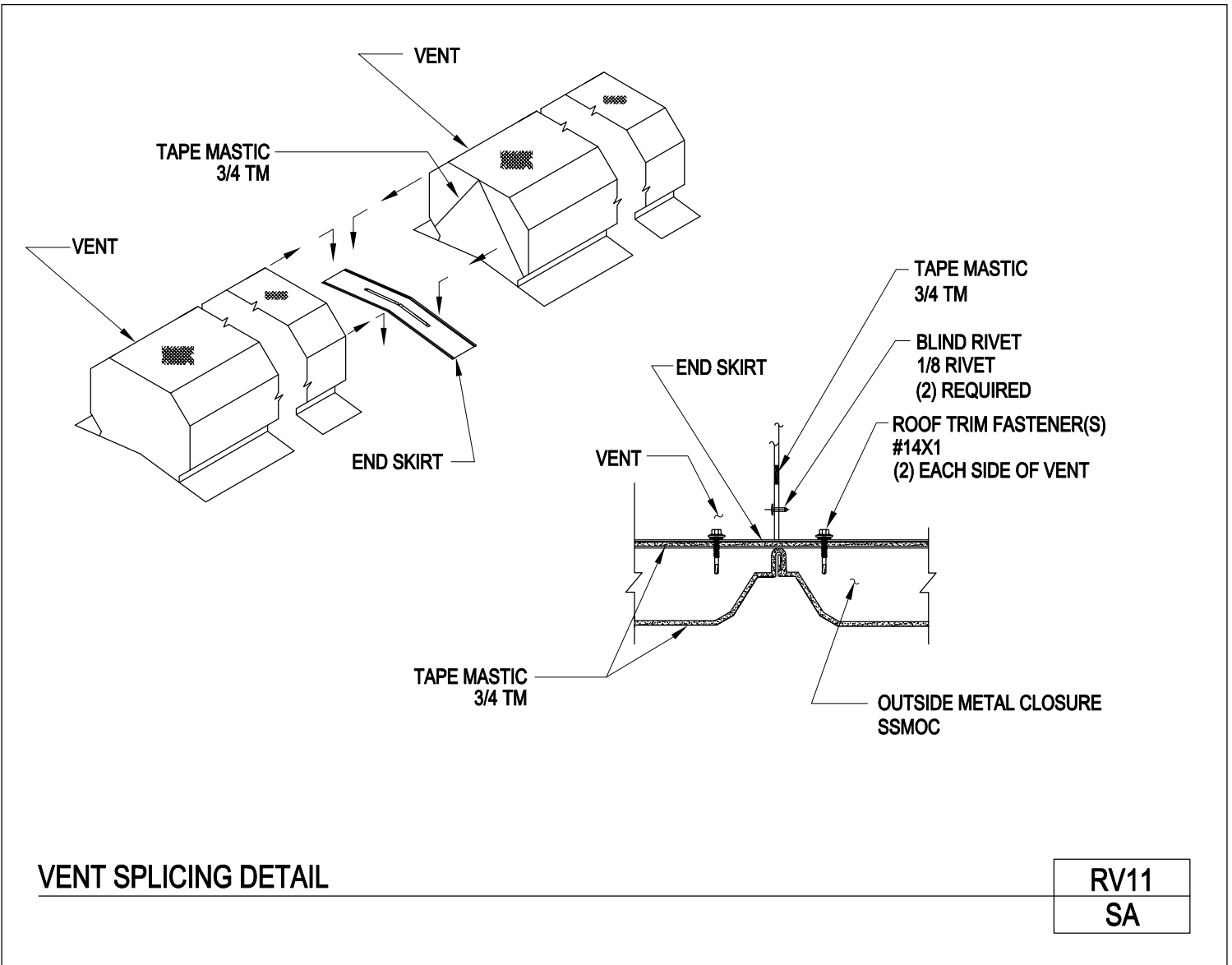
RV11/GA



[Download the DWG file by clicking here.](#)

[To Section Index](#)

Vent Splicing Detail
Standing Seam
RV11/SA



[Download the DWG file by clicking here.](#)

[To Section Index](#)



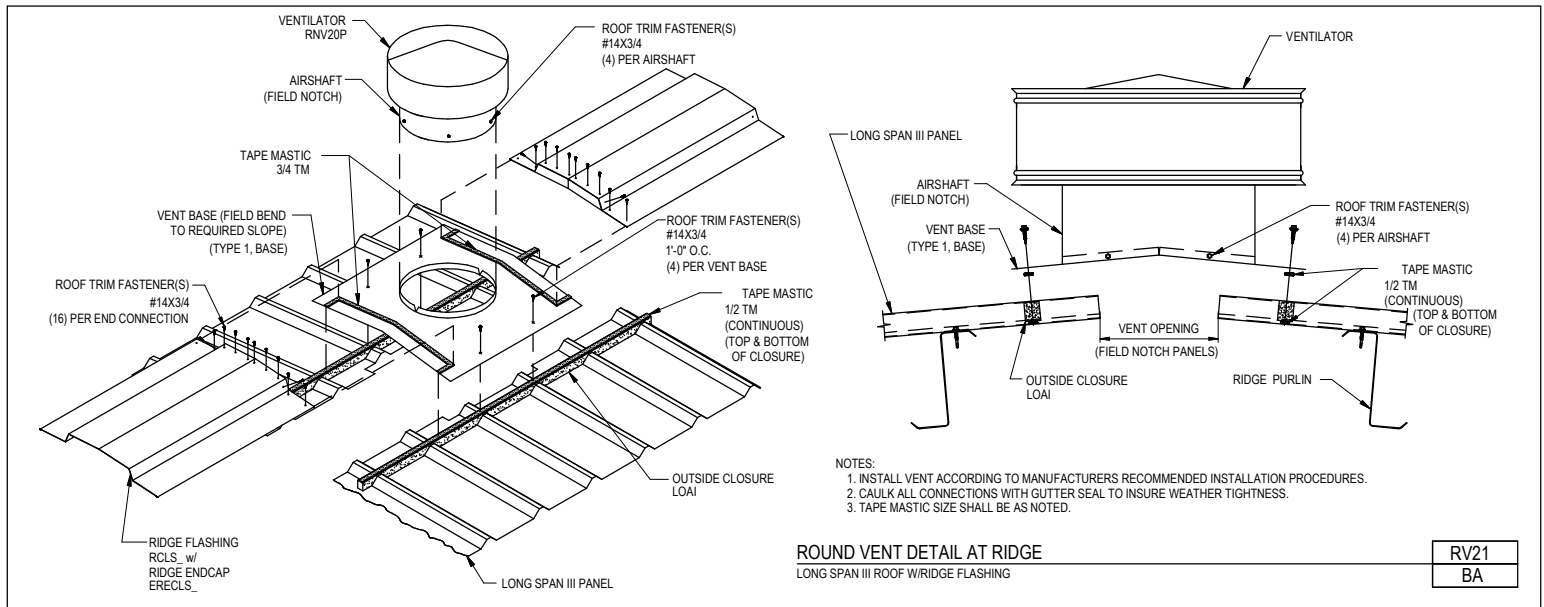
AMERICAN BUILDINGS

A NUCOR COMPANY

PRODUCT MANUAL

ROOF VENTILATORS

Round Vent Detail at Ridge Long Span III Roofs RV21/BA



[Download the DWG file by clicking here.](#)

[To Section Index](#)



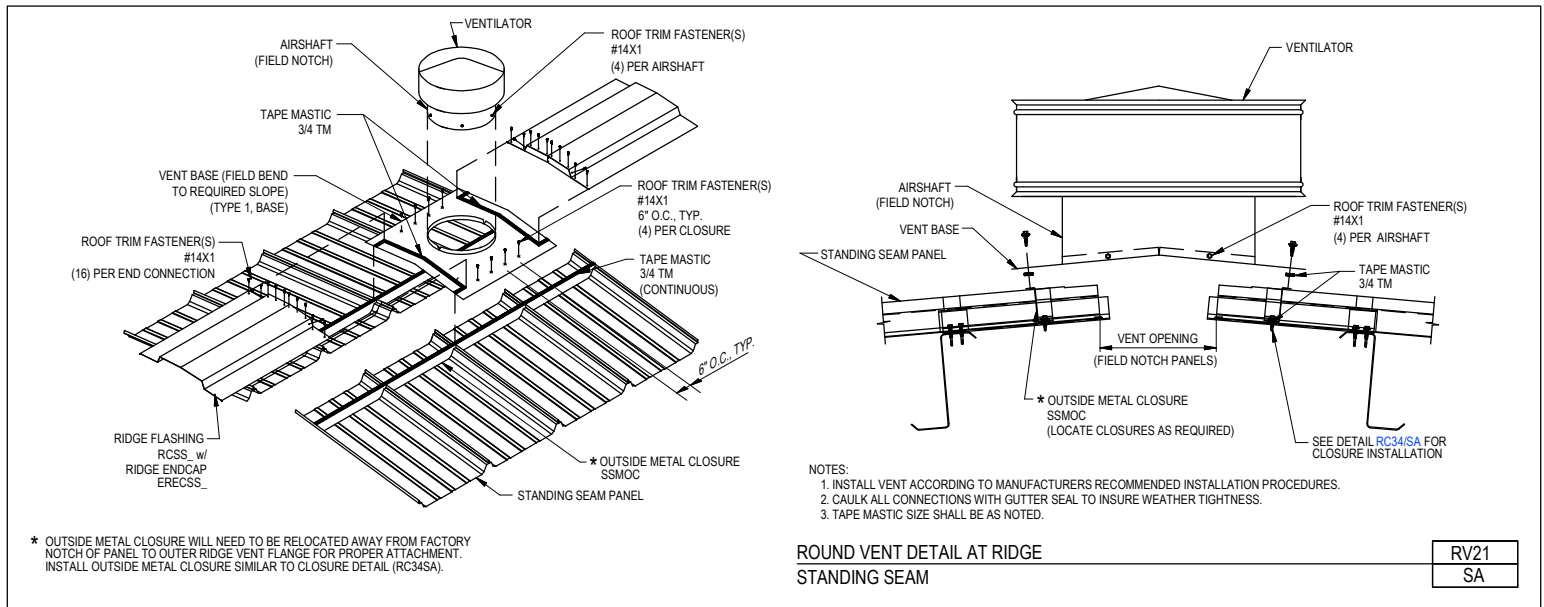
AMERICAN BUILDINGS

A NUCOR COMPANY

PRODUCT MANUAL

ROOF VENTILATORS

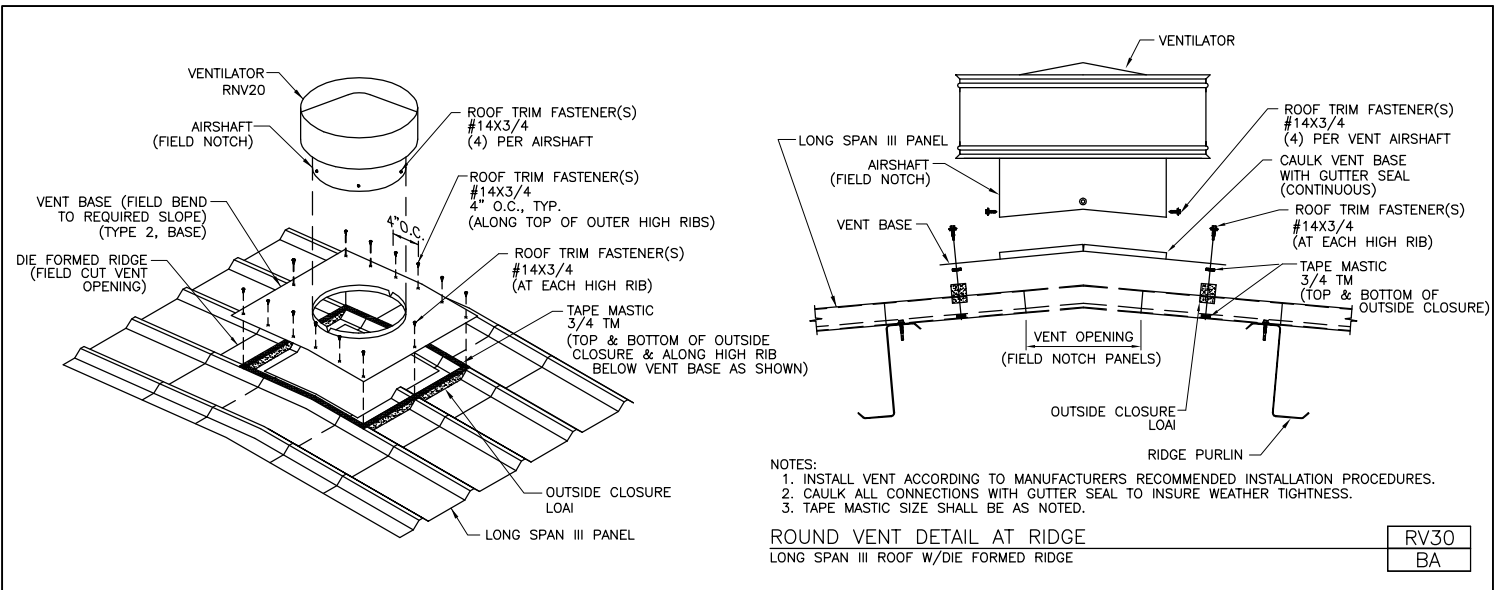
Round Vent Detail at Ridge Standing Seam Roofs RV21/SA



[Download the DWG file by clicking here.](#)

[To Section Index](#)

Round Vent Detail at Ridge
 Longspan III Roof w/ Die Formed Ridge
 RV30/BA



[Download the DWG file by clicking here.](#)

[To Section Index](#)



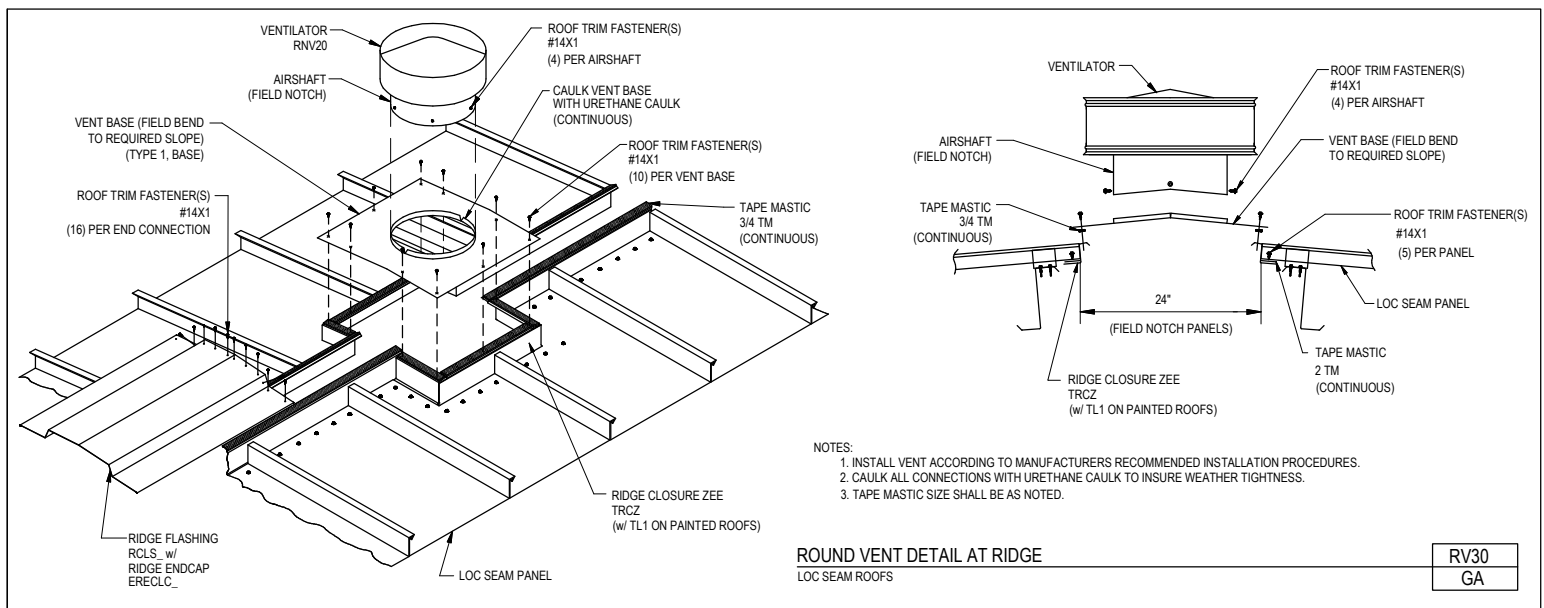
AMERICAN BUILDINGS

A NUCOR COMPANY

PRODUCT MANUAL

ROOF VENTILATORS

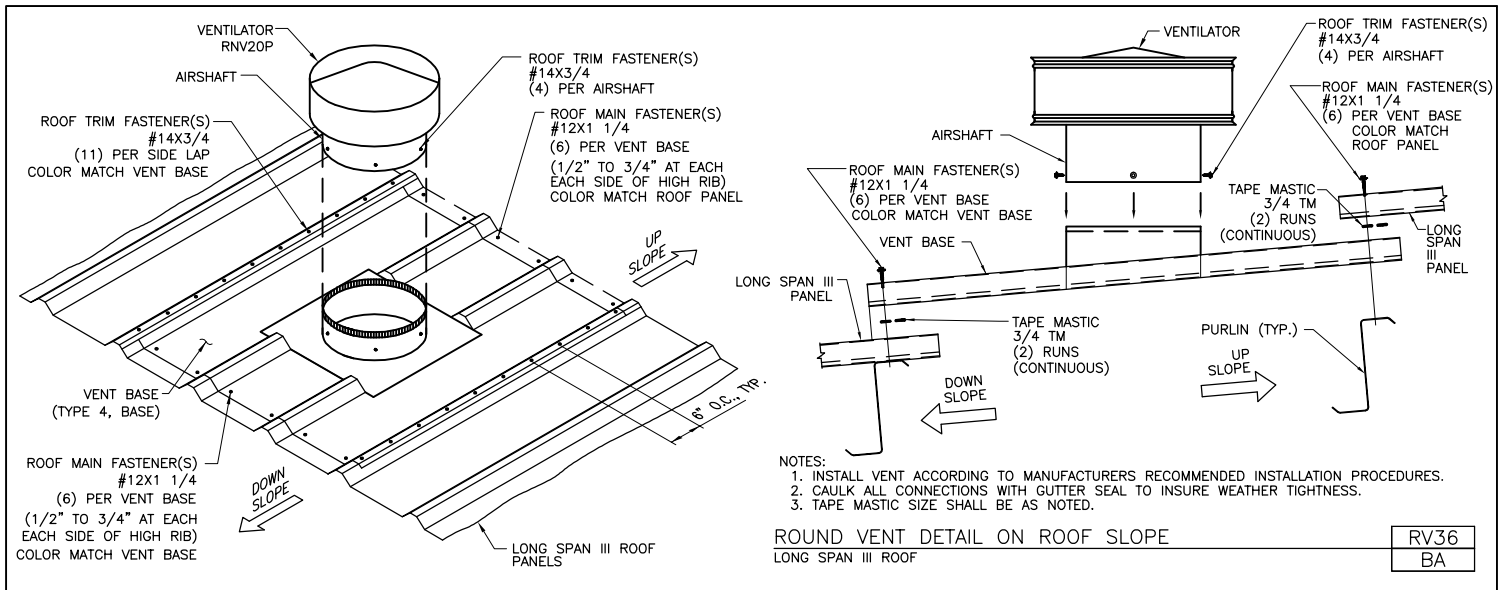
Round Vent Detail at Ridge Loc Seam Roofs RV30/GA



[Download the DWG file by clicking here.](#)

[To Section Index](#)

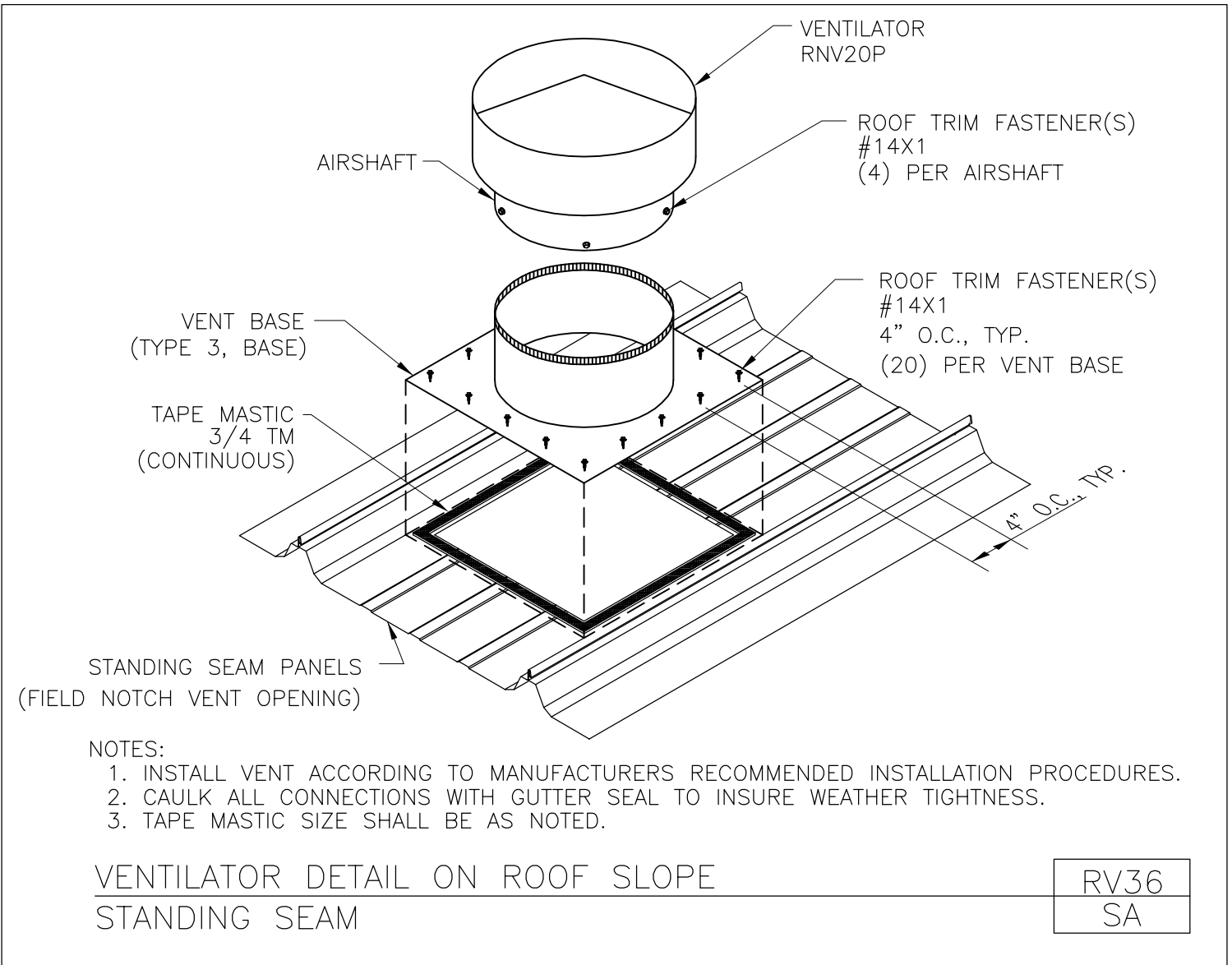
Round Vent Detail on Roof Slope
Longspan III Roof
RV36/BA



[Download the DWG file by clicking here.](#)

[To Section Index](#)

Ventilator Detail on Roof Slope
Standing Seam
RV36/SA



[Download the DWG file by clicking here.](#)

[To Section Index](#)