

## **Product Manual - Secondary Framing - Spandrels**

---

SB10/AA, Spandrel Beam to Stiffener at Column Web - Bolted Connection

SB11/AA, Spandrel Beam to Stiffener at Column Web - Bolted Connection

SB12/AA, Spandrel Beam to Column Inside Flange

SB12A/AA, Top View at Spandrel Beam to Column Inside Flange

SB12B/AA, Top View at Spandrel Beam to Column Inside Flange with Field Weld

SB13/AA, Spandrel Beam Flange to Bracket at Corner Column Web

SB14/AA, 8" Spandrel Beam at Corner Column with Corner Transition

SB14B/AA, 8" Spandrel Beam at Corner Column with Corner Transition

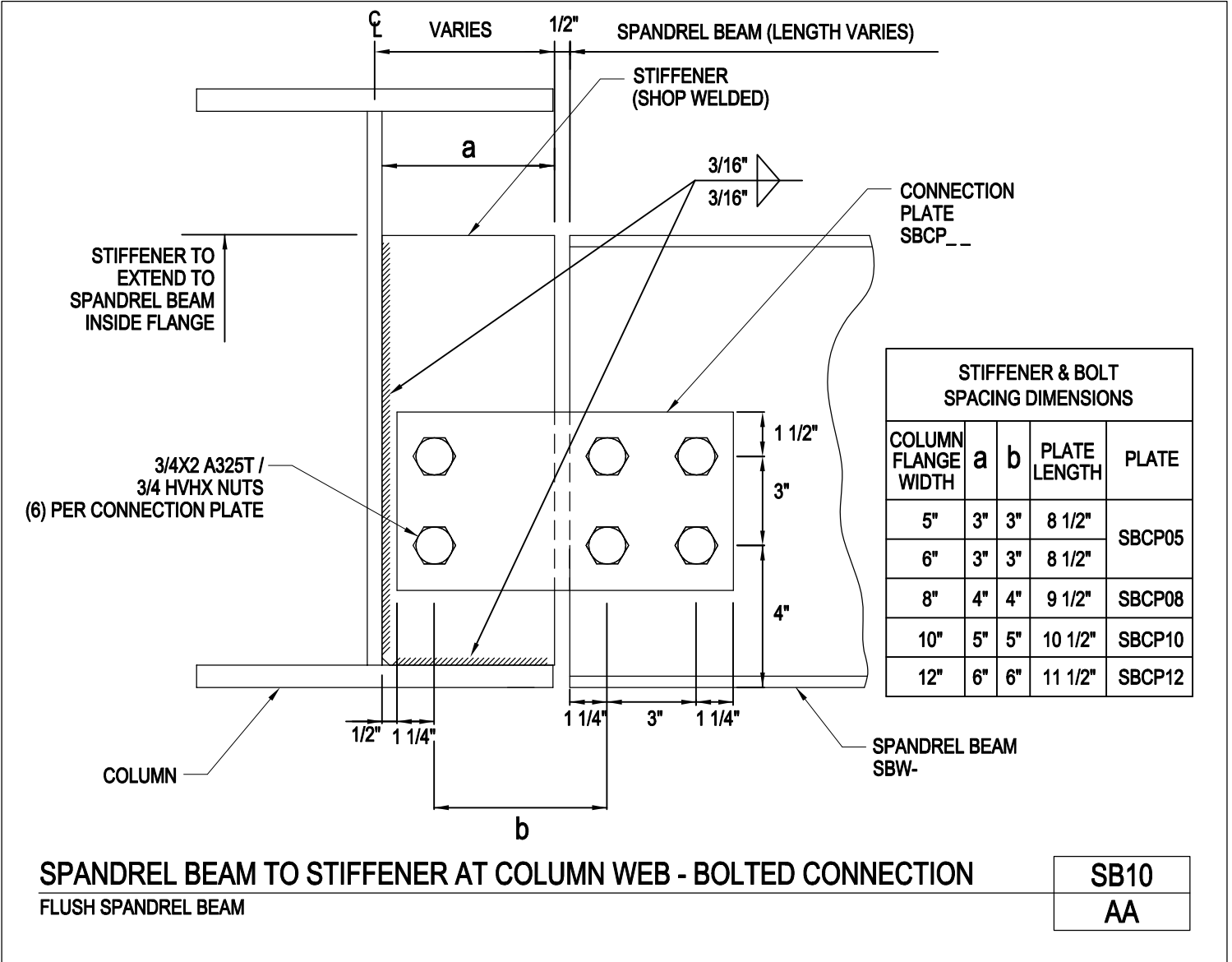
SB15/AA, Section at 8" Spandrel Beam Connection to Column Flange

SB16/AA, 8" Spandrel Beam and Interior Column Flange Connection to Clip

Spandrel Beam to Stiffener at Column Web - Bolted Connection

Flush Spandrel Beam

SB10/AA



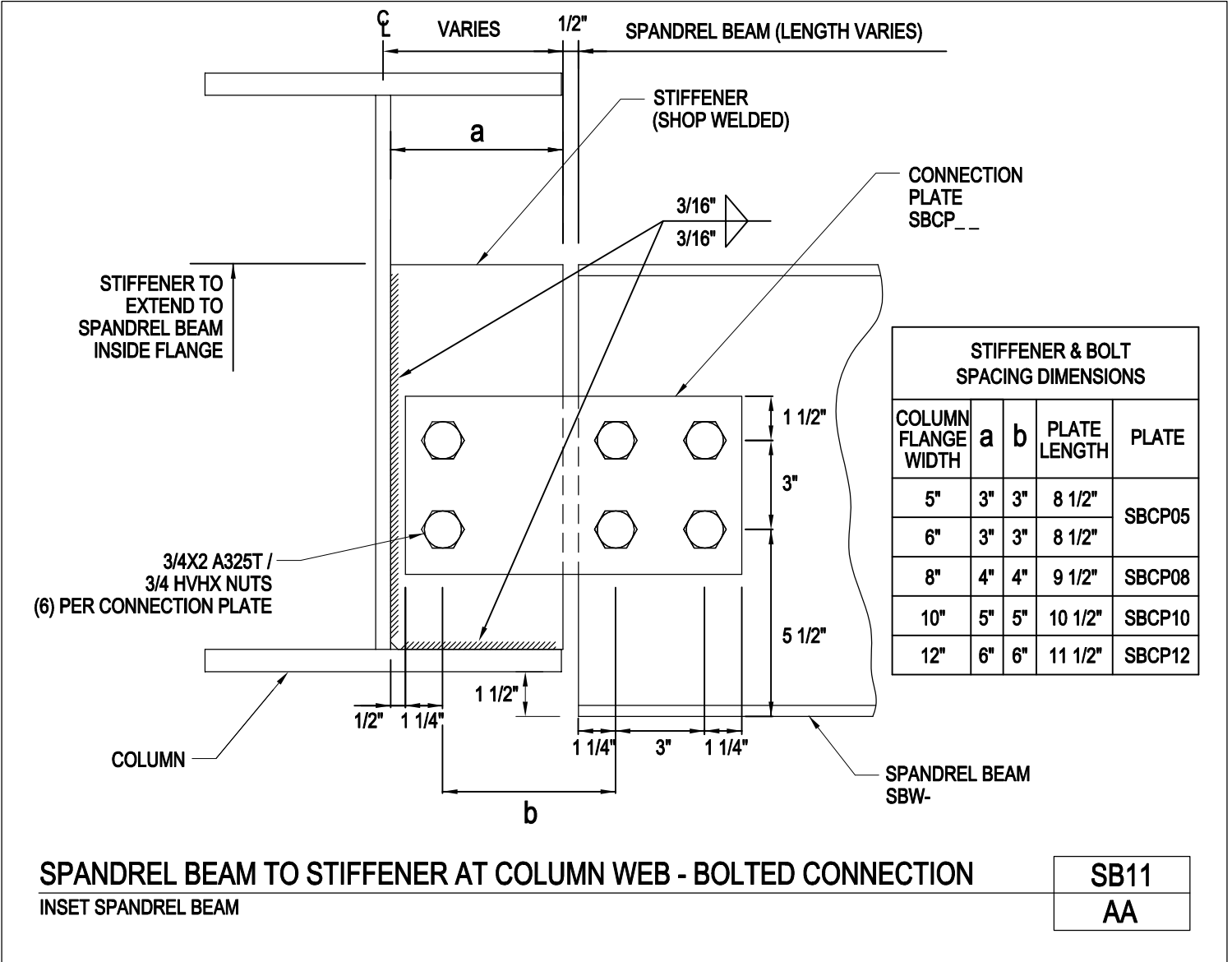
[Download the DWG file by clicking here.](#)

[To Section Index](#)

Spandrel Beam to Stiffener at Column Web - Bolted Connection

Inset Spandrel Beam

SB11/AA



**SPANDREL BEAM TO STIFFENER AT COLUMN WEB - BOLTED CONNECTION**

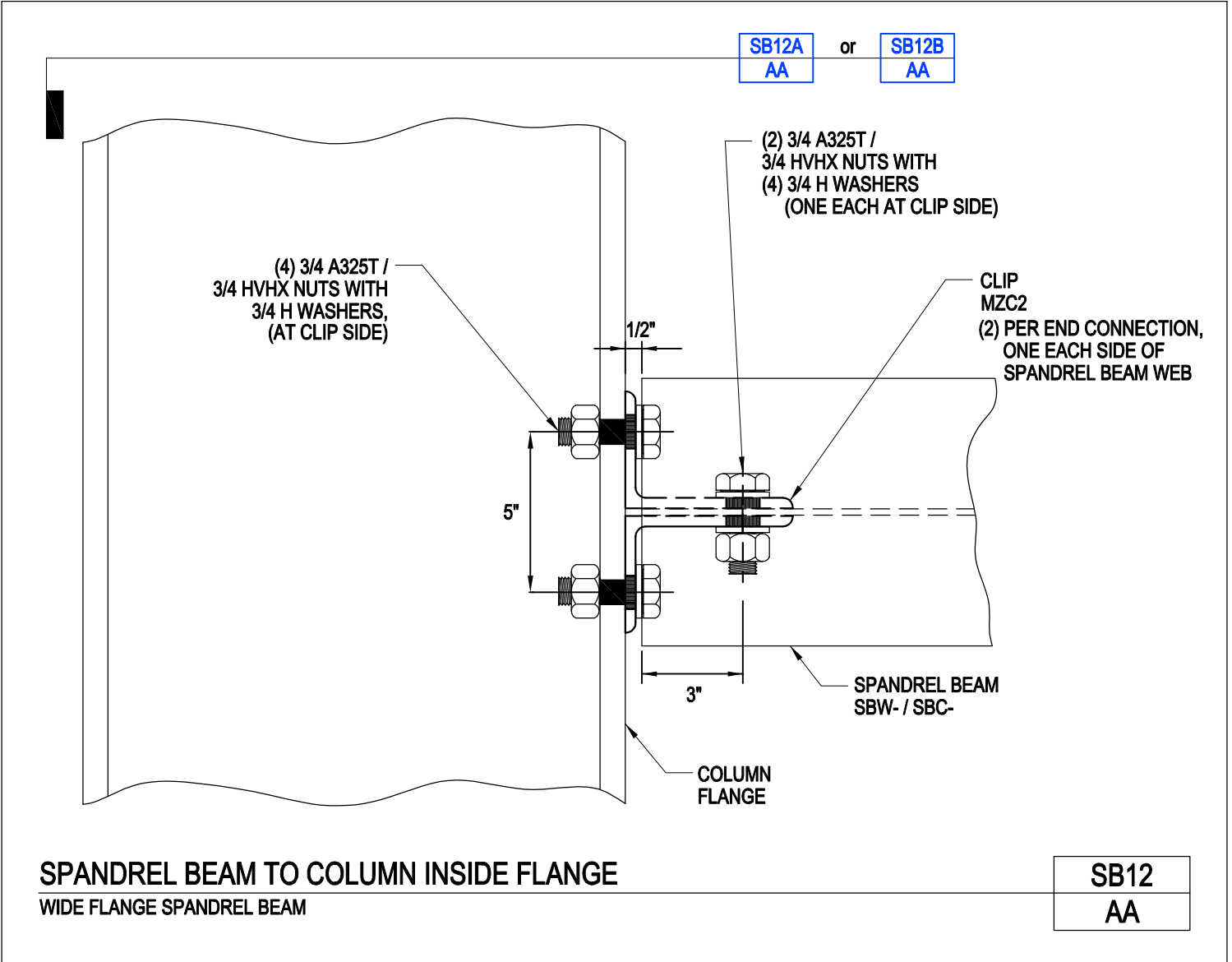
INSET SPANDREL BEAM

<b>SB11</b>
<b>AA</b>

[Download the DWG file by clicking here.](#)

[To Section Index](#)

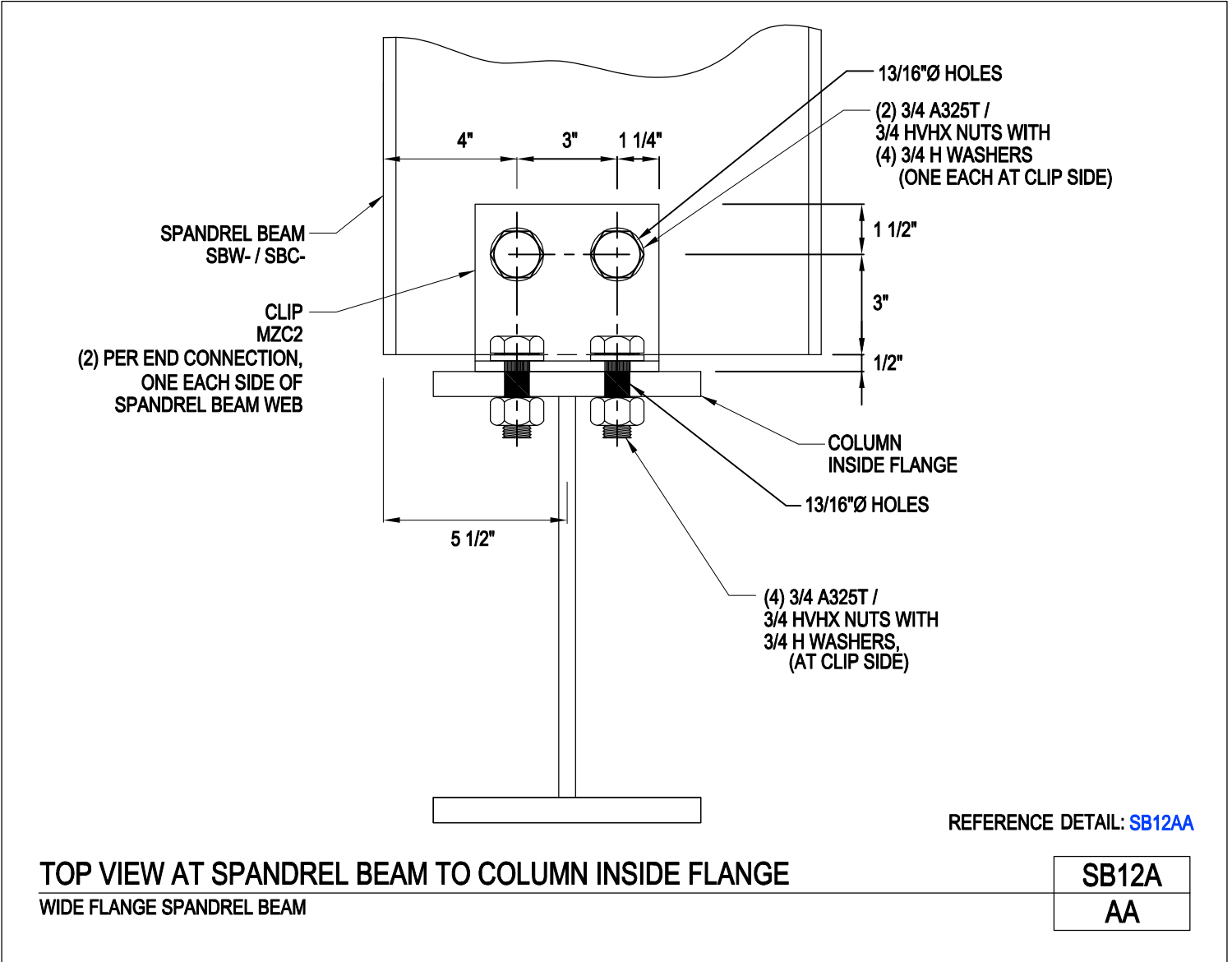
Spandrel Beam to Column Inside Flange  
Wide Flange Spandrel Beam  
SB12/AA



[Download the DWG file by clicking here.](#)

[To Section Index](#)

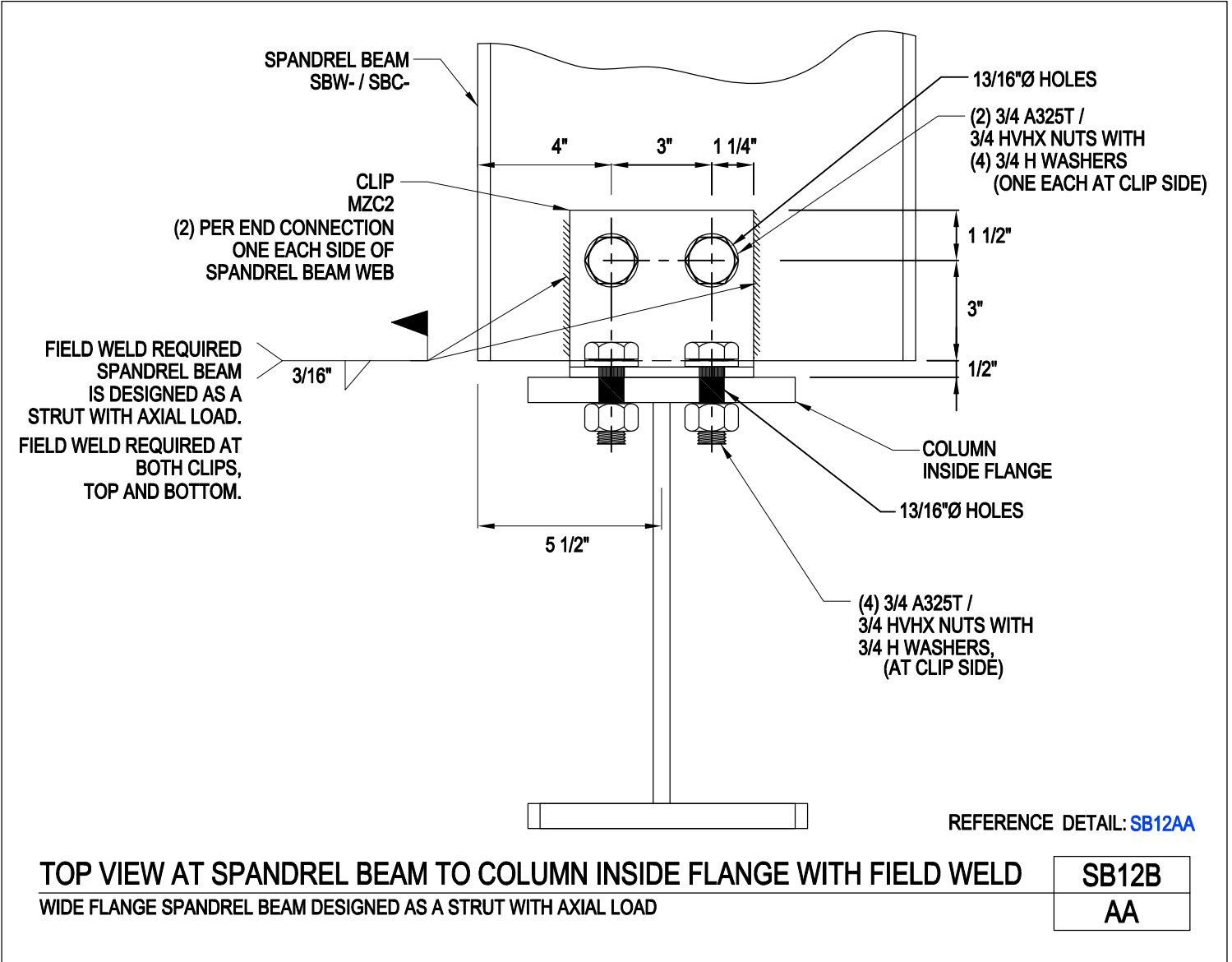
Top View at Spandrel Beam to Column Inside Flange  
Wide Flange Spandrel Beam  
SB12A/AA



[Download the DWG file by clicking here.](#)

[To Section Index](#)

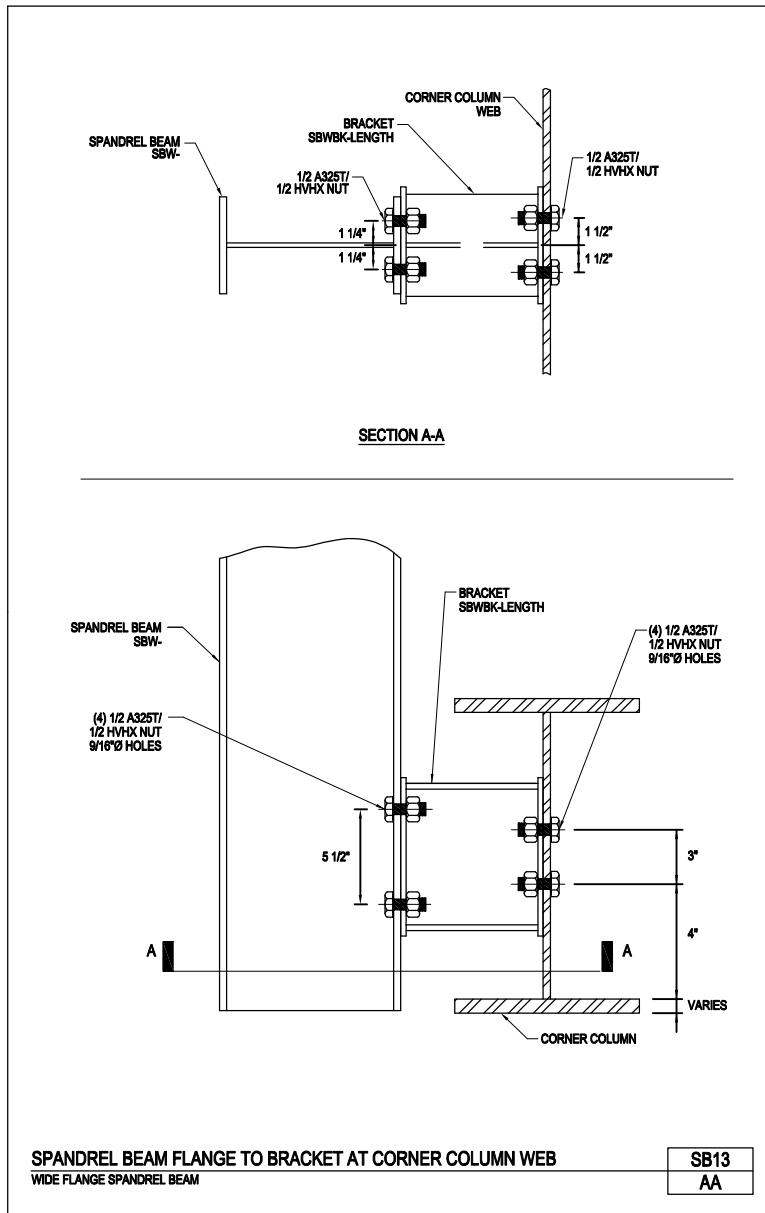
Top View at Spandrel Beam to Column Inside Flange with Field Weld  
 Wide Flange Spandrel Beam Designed as a Strut with Axial Load  
 SB12B/AA



[Download the DWG file by clicking here.](#)

[To Section Index](#)

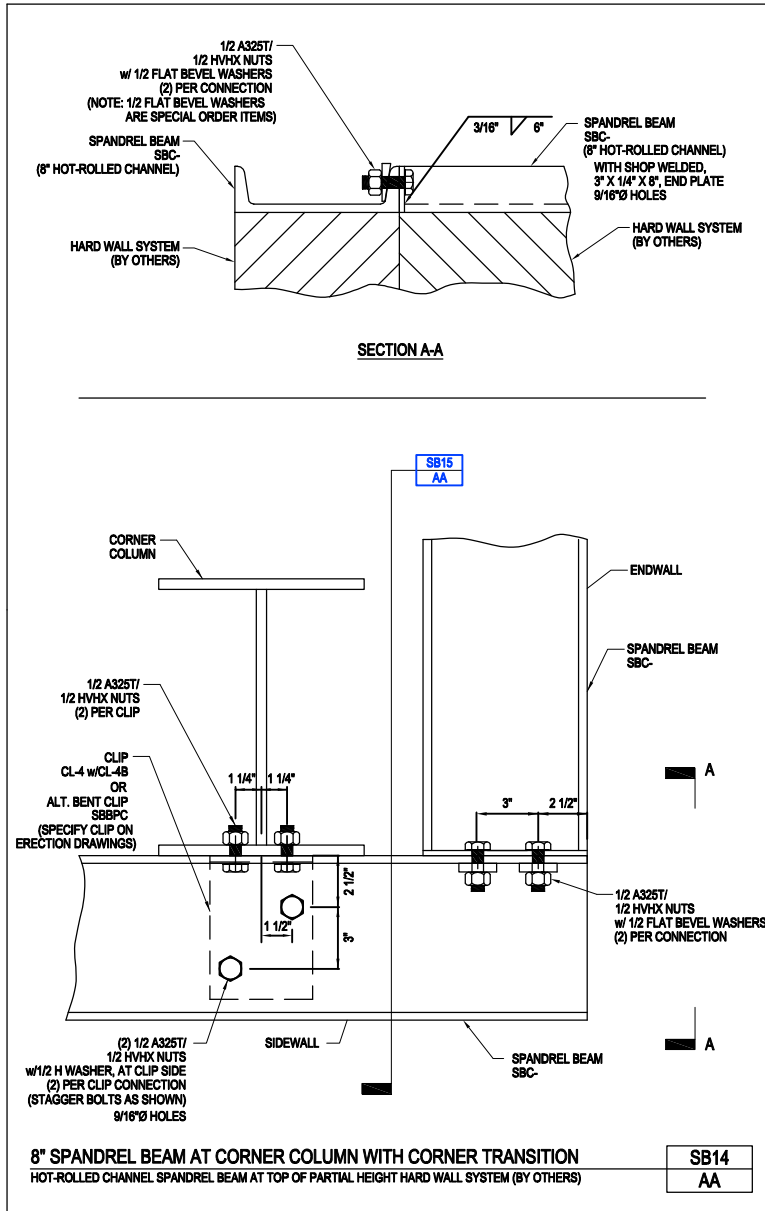
Spandrel Beam Flange to Bracket at Corner Column Web  
Wide Flange Spandrel Beam  
SB13/AA



[Download the DWG file by clicking here.](#)

[To Section Index](#)

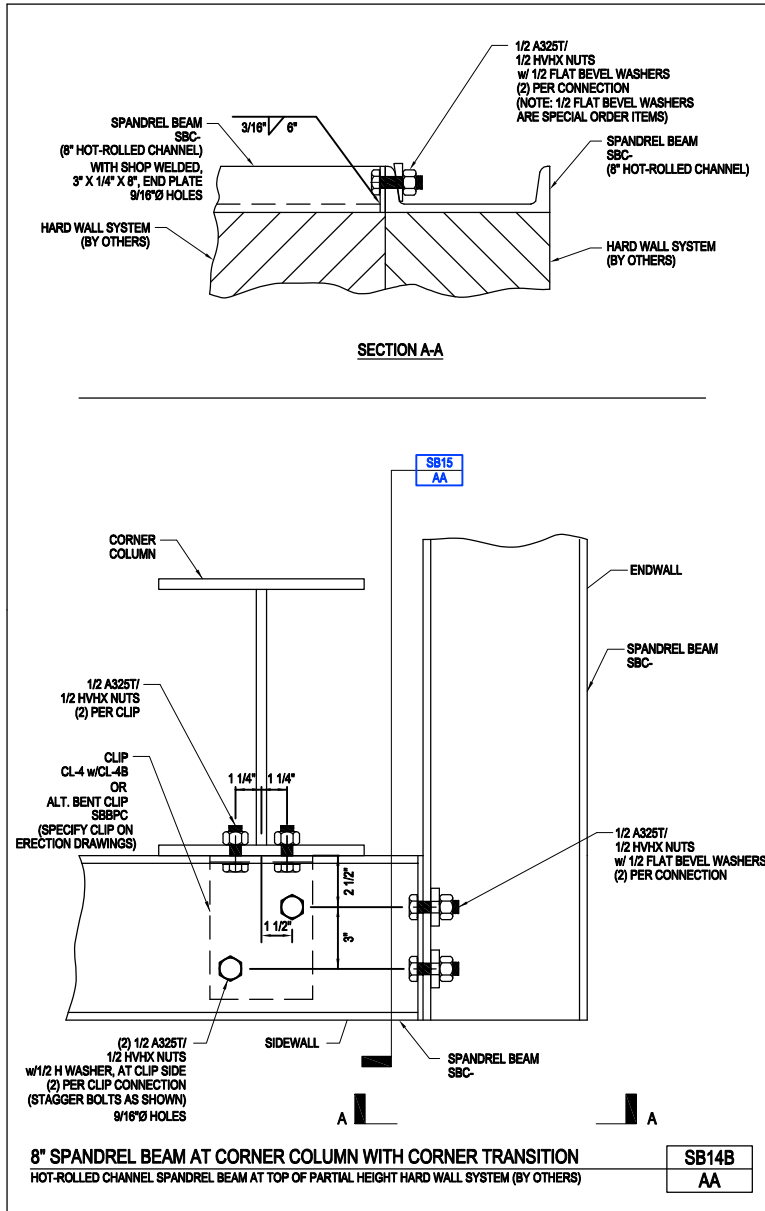
8" Spandrel Beam at Corner Column with Corner Transition  
Hot-Rolled Channel Spandrel Beam at Top of Partial Height Hard Wall System (By Others)  
SB14/AA



[Download the DWG file by clicking here.](#)



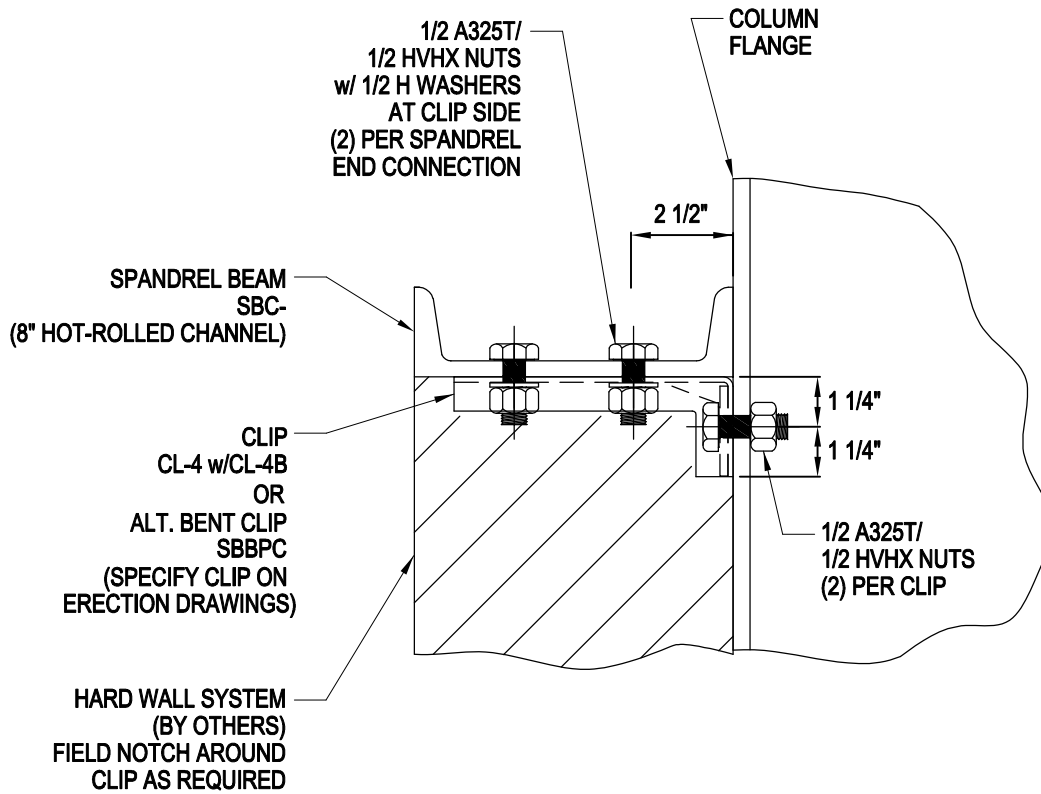
8" Spandrel Beam at Corner Column with Corner Transition  
Hot-Rolled Channel Spandrel Beam at Top of Partial Height Hard Wall System (By Others)  
SB14B/AA



[Download the DWG file by clicking here.](#)

[To Section Index](#)

Section at 8" Spandrel Beam Connection to Column Flange  
Hot-Rolled Channel Spandrel Beam at Top of Partial Height Wall System (By Others)  
SB15/AA



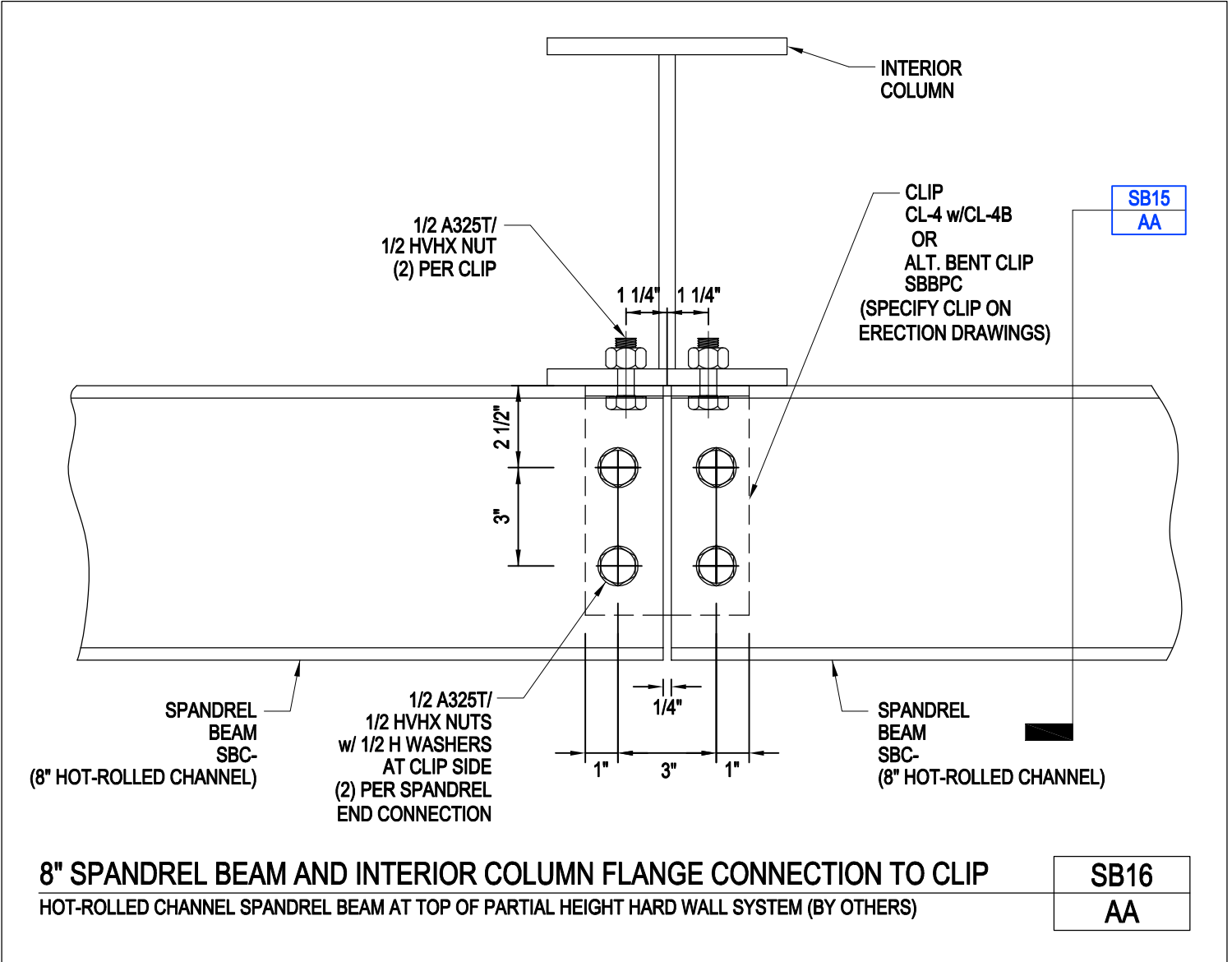
**SECTION AT 8" SPANDREL BEAM CONNECTION TO COLUMN FLANGE**  
HOT-ROLLED CHANNEL SPANDREL BEAM AT TOP OF PARTIAL HEIGHT HARD WALL SYSTEM (BY OTHERS)

<b>SB15</b>
<b>AA</b>

[Download the DWG file by clicking here.](#)

[To Section Index](#)

8" Spandrel Beam and Interior Column Flange Connection to Clip  
 Hot-Rolled Channel Spandrels at Top of Partial Height Hard Wall System (By Others)  
 SB16/AA



[Download the DWG file by clicking here.](#)