

Product Manual - Shadow Panels

BA02/AD, Section at Base Angle
BA02A/AD, Section at Base Angle
BA03A/AD, Section at Base Girt
BA03/AD, Section at Base Girt
BA04A/AD, Section at Base Channel
BA04/AD, Section at Base Channel
BA05A/AD, Section Base w/ Angle GA-2
BA05/AD, Section at Base w/ Angle GA-2
BA31/AD, Base Angle Installation
EA37/AD, Closure Cap Flashing Installation at Eave
GE01/AA, Building Alignment
GE03/AA, Girt Blocking
GE70/AA, Safety Commitment
RA01/AD, Panel Closure Detail at Rake (Slopes Less than 11/2:12)
RA01B/AD, Panel Closure Detail at Rake (Slopes Less Than 11/2:12)
RC95/AA, Panel Storage Notes
WC05AA/AD, Fastener Layout Required for Wall Insulation
WC05A/AD, Fastener Layout
WC05/AD, Fastener Layout
WC06A/AD, Panel Splice Detail
WC06/AD, Panel Splice Detail
WC07/AD, Wall Panel Splice
WC12/AD, Wall Panel Installation
WC16A/AD, Panel Attachment to Girt
WC16/AD, Panel Attachment to Girt
WC17/AD, Panel Clip Application
WC18/AD, Panel Clip Application
WC19/AD, Panel Clip Application
WC20/AD, Typical Corner Detail at Panels
WC21A/AD, Corner Flashing Detail (Outside)
WC21/AD, Corner Flashing Detail (Outside)
WC31/AD, Panel Base Detail
WC35/AD, Facade, Canopy and Lean-To Connections to Main Bldg.
WC37/AD, Panel Closure Detail at Endwall (Slopes Less than 11/2:12)
WC51/AD, Panel Storage
WC61/AD, Basic Parts and Pieces
WC63/AD, Panel Marking

WC64A/AD, Direction of Wall Panel Erection

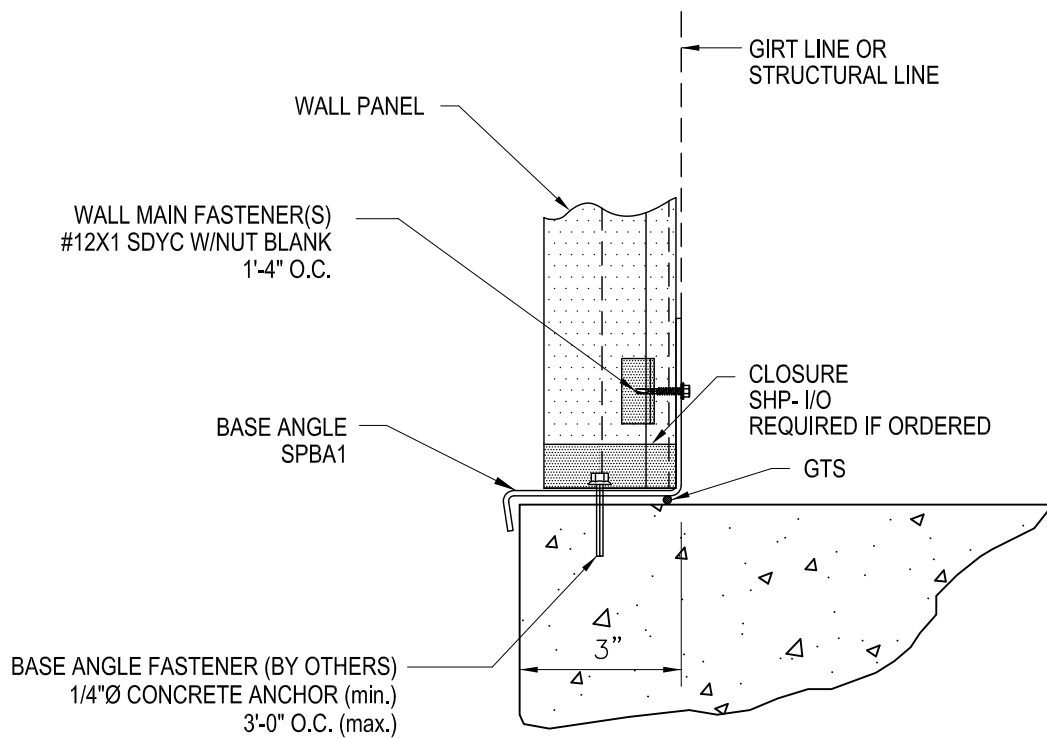
WC64/AD, Direction of Wall Panel Erection

WC67/AD, Endwall Panel Beveling Detail

WC71/AD, Panel Layout for 5', 10', 15' and 20' Exterior Endwall Bays

WC91/AD, Erection Notes

Section at Base Angle
Shadow Panel Walls
BA02/AD



SECTION AT BASE ANGLE

SHADOW PANELS WALLS

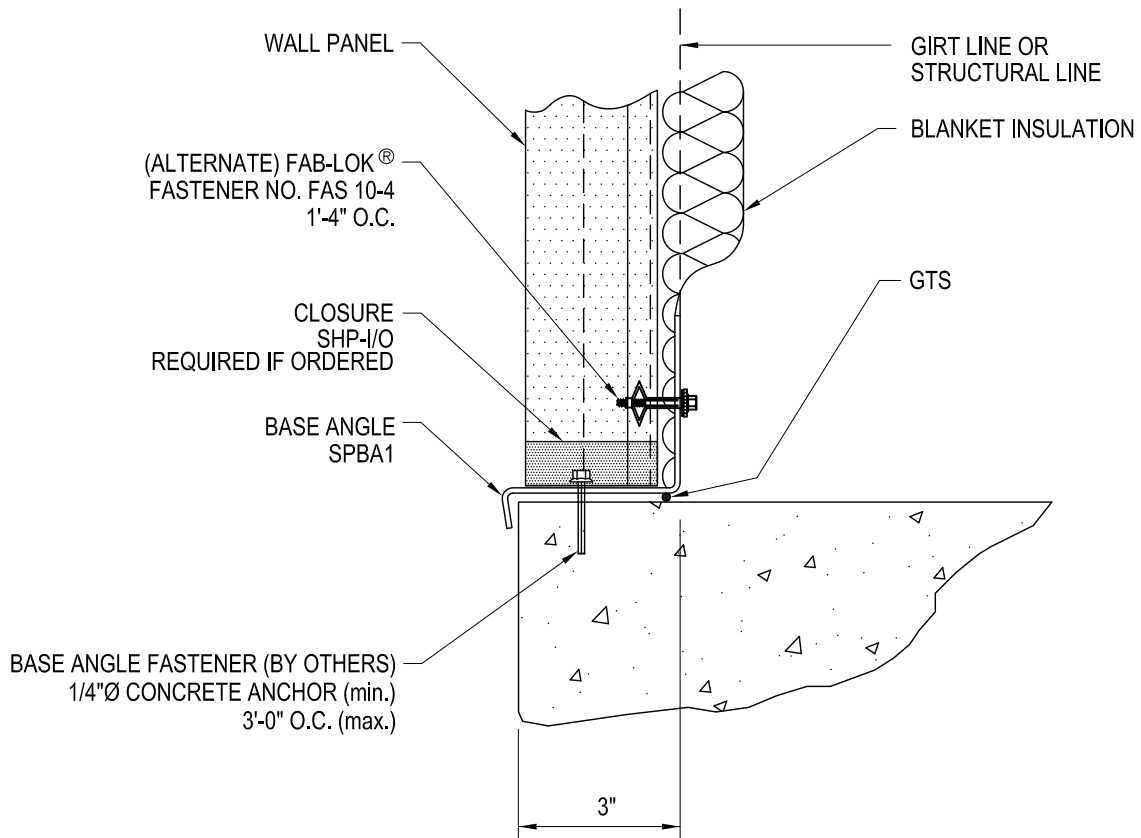
BA02

AD

[Download the DWG file by clicking here.](#)

[To Section Index](#)

Section at Base Angle
Shadow Panel Walls with Alternate Fab-Lok Fastener
BA02A/AD



SECTION AT BASE ANGLE

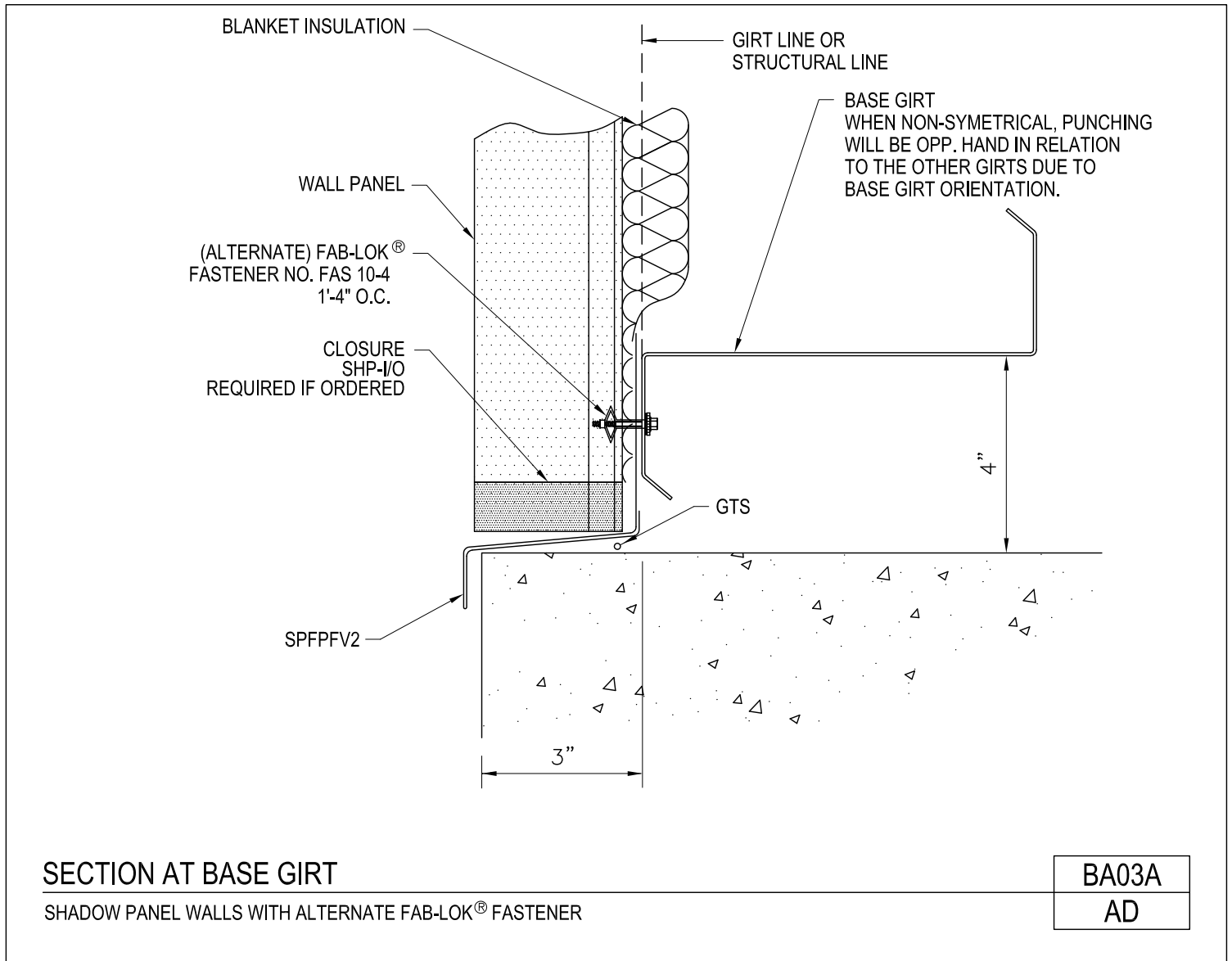
SHADOW PANEL WALLS WITH ALTERNATE FAB-LOK® FASTENER

BA02A
AD

[Download the DWG file by clicking here.](#)

[To Section Index](#)

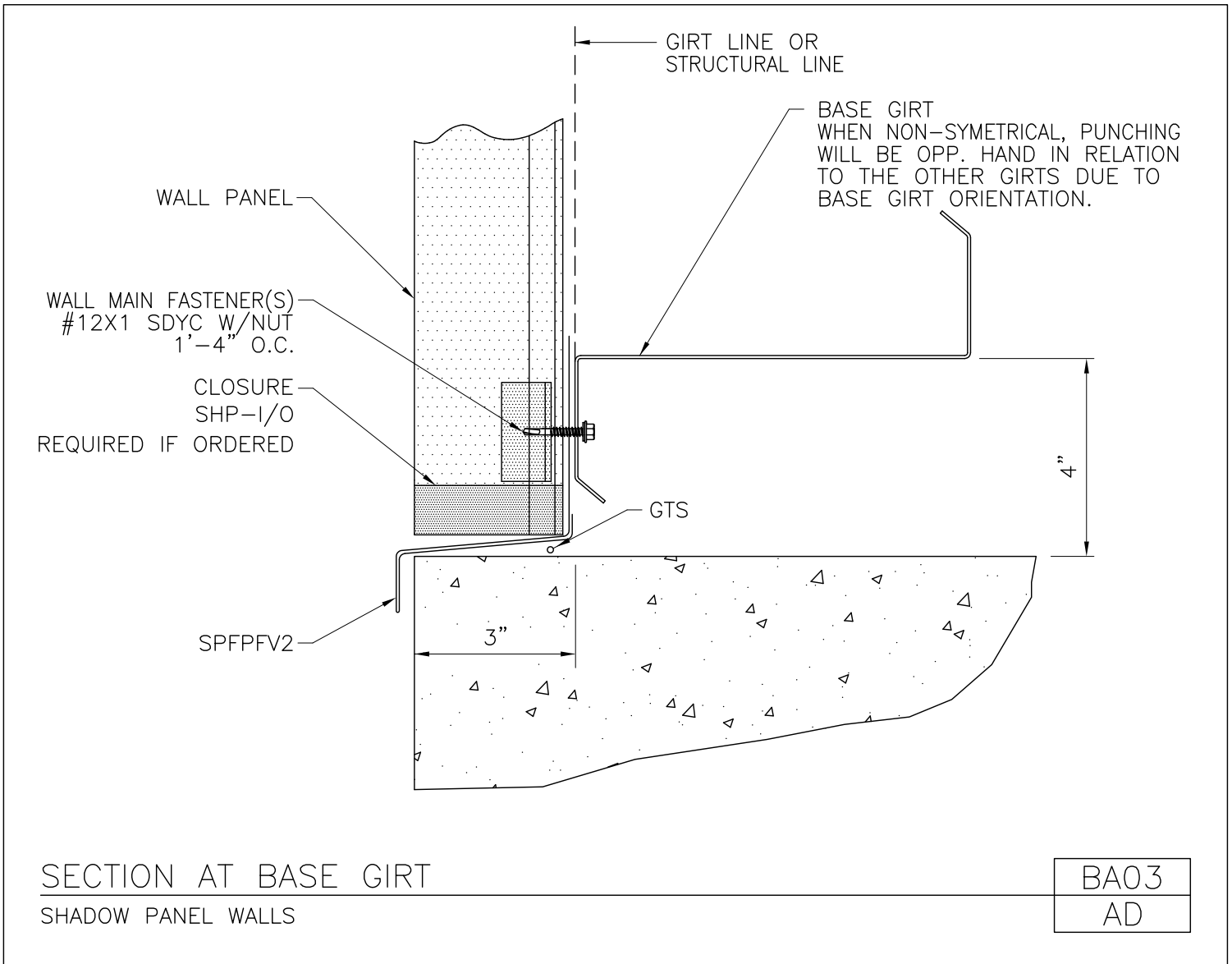
Section at Base Girt
Shadow Panel Walls with Alternate Fab-Lok Fastener
BA03A/AD



[Download the DWG file by clicking here.](#)

[To Section Index](#)

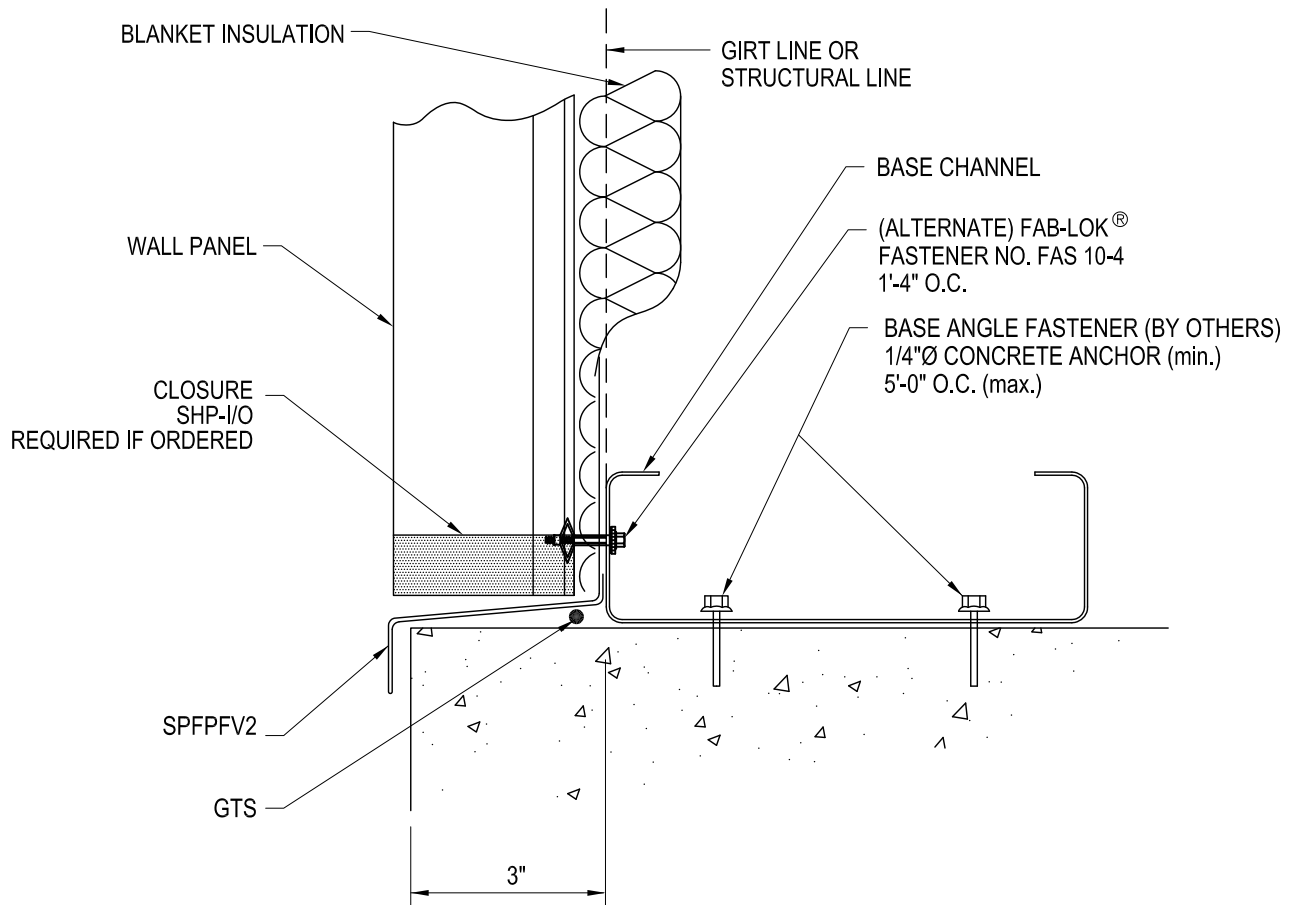
Section at Base Girt
Shadow Panel Walls
BA03/AD



[Download the DWG file by clicking here.](#)

[To Section Index](#)

Section at Base Channel
Shadow Panel Walls with Alternate Fab-Lok Fastener
BA04A/AD



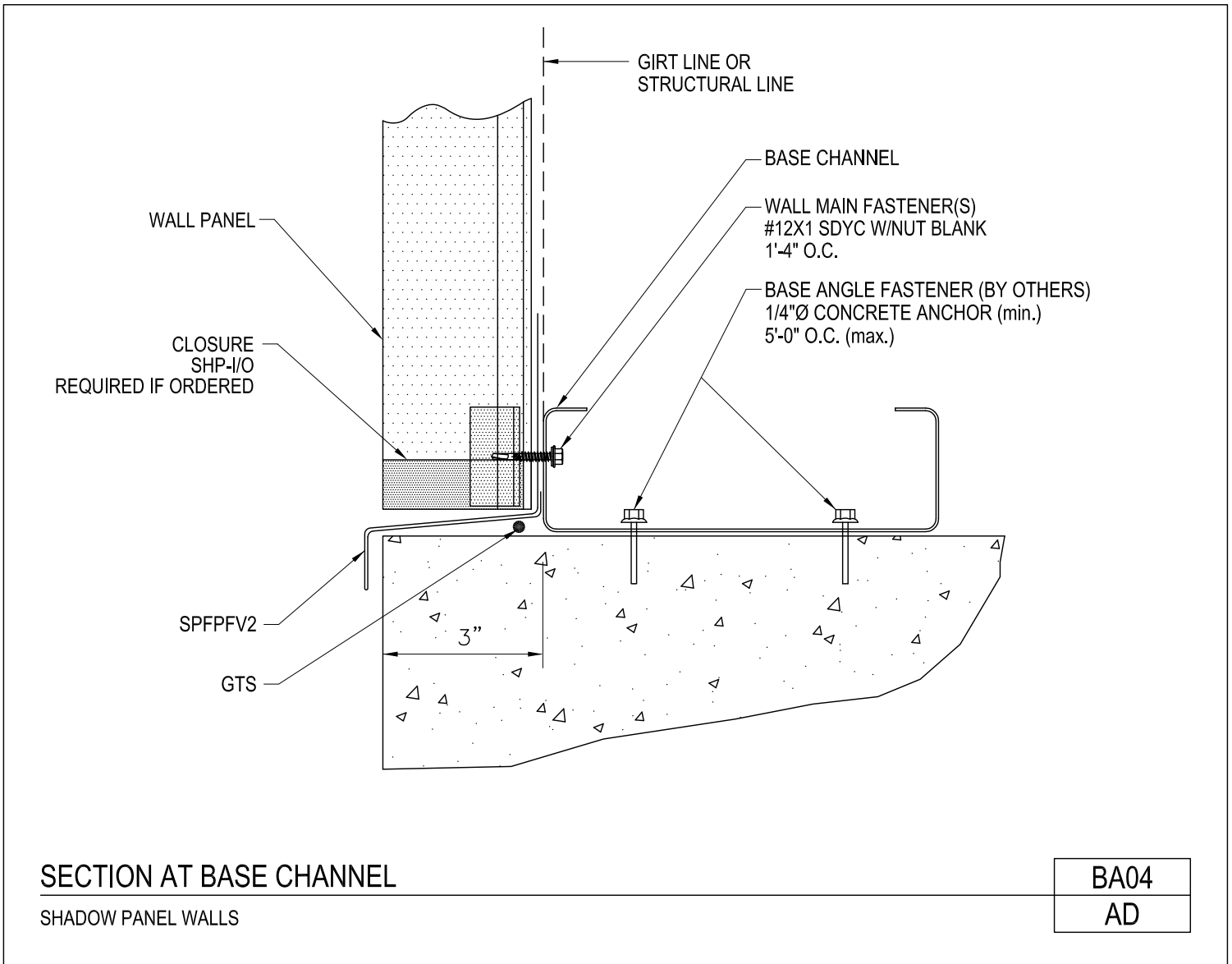
SECTION AT BASE CHANNEL
SHADOW PANEL WALLS WITH ALTERNATE FAB-LOK® FASTENER

BA04A
AD

[Download the DWG file by clicking here.](#)

[To Section Index](#)

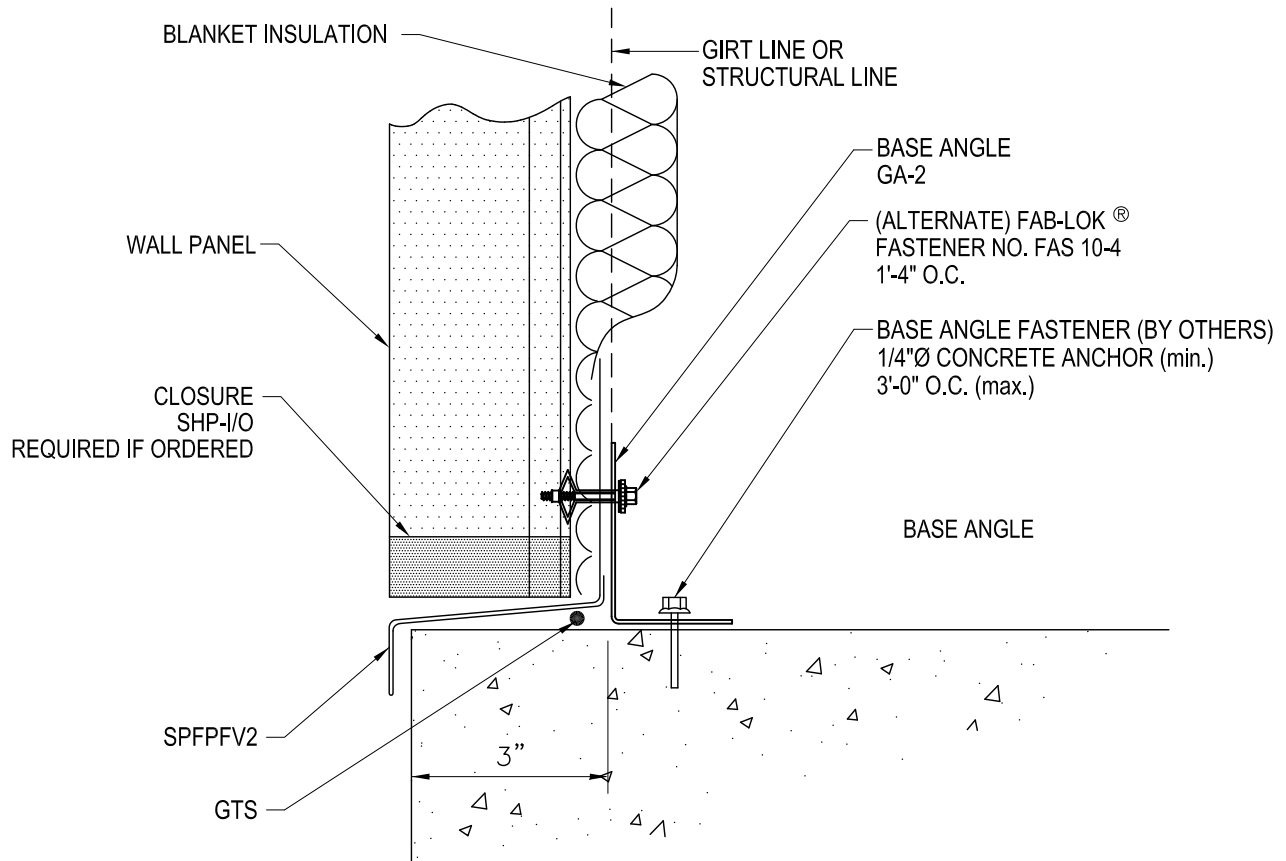
Section at Base Channel
Shadow Panel Wall
BA04/AD



[Download the DWG file by clicking here.](#)

[To Section Index](#)

Section Base w/ Angle GA-2
Shadow Panel Walls with Alternate Fab-Lok Fastener
BA05A/AD



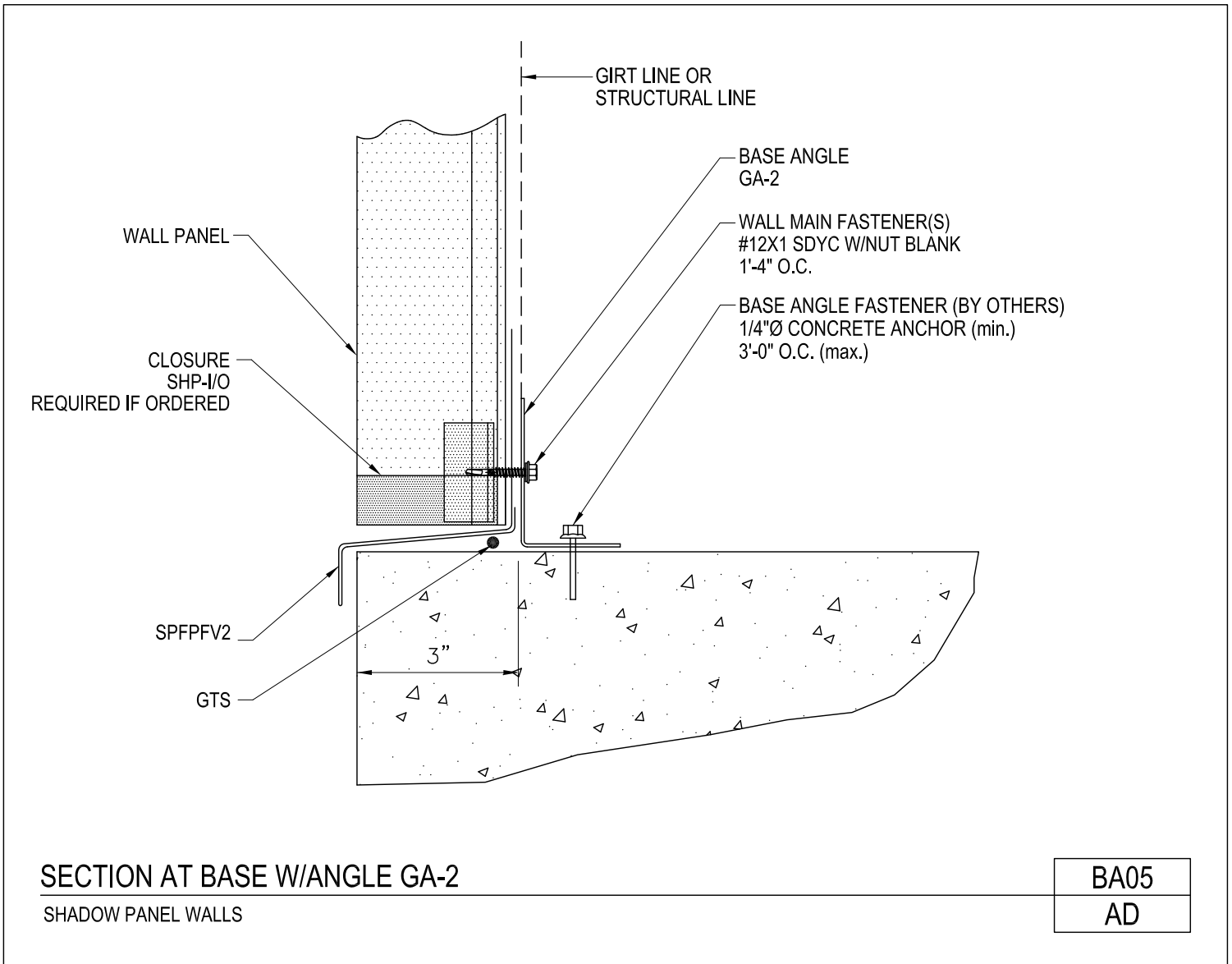
SECTION AT BASE W/ANGLE GA-2
SHADOW PANEL WALLS WITH ALTERNATE FAB-LOK® FASTENER

BA05A
AD

[Download the DWG file by clicking here.](#)

[To Section Index](#)

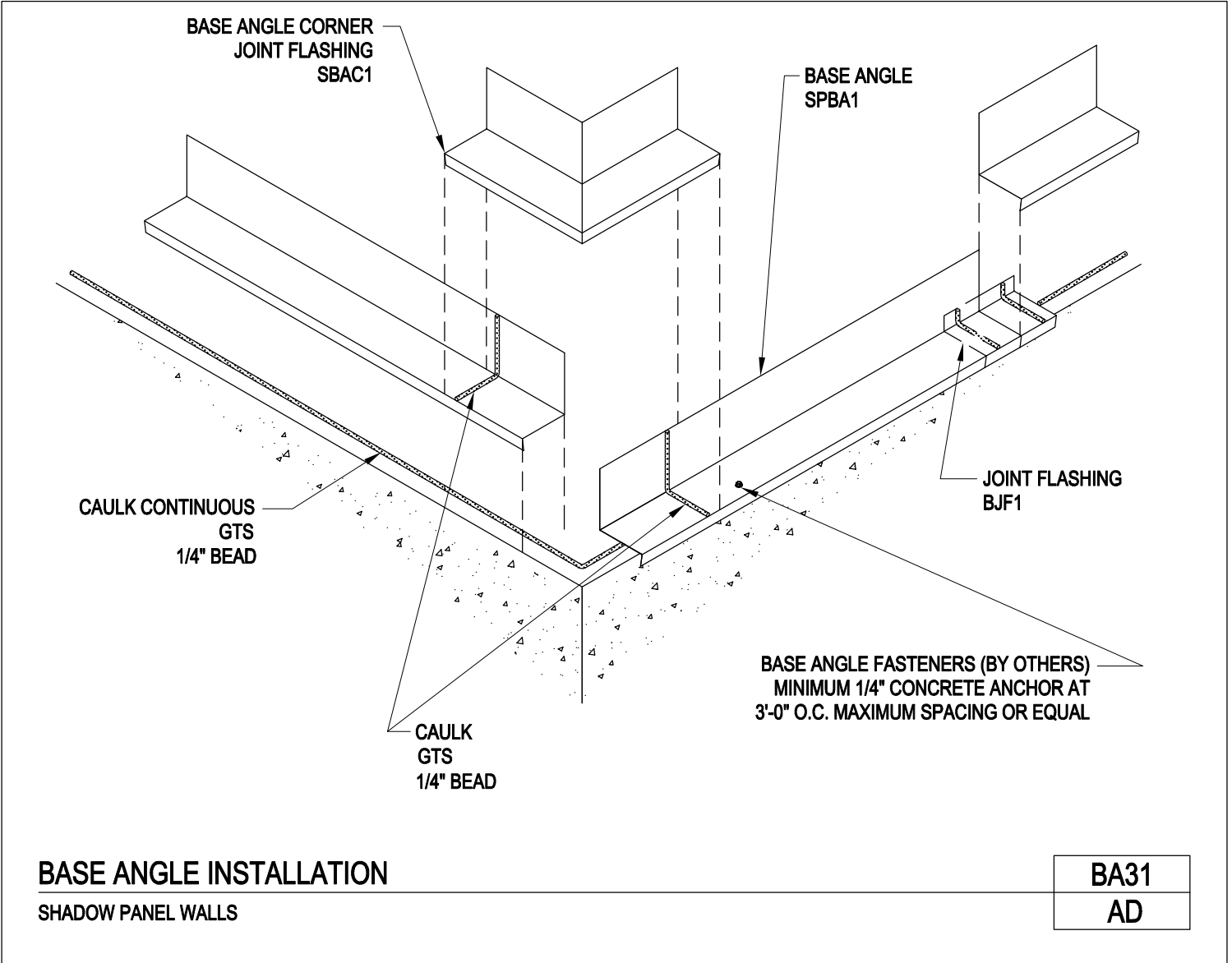
Section at Base w/ Angle GA-2
Shadow Panel Walls
BA05/AD



[Download the DWG file by clicking here.](#)

[To Section Index](#)

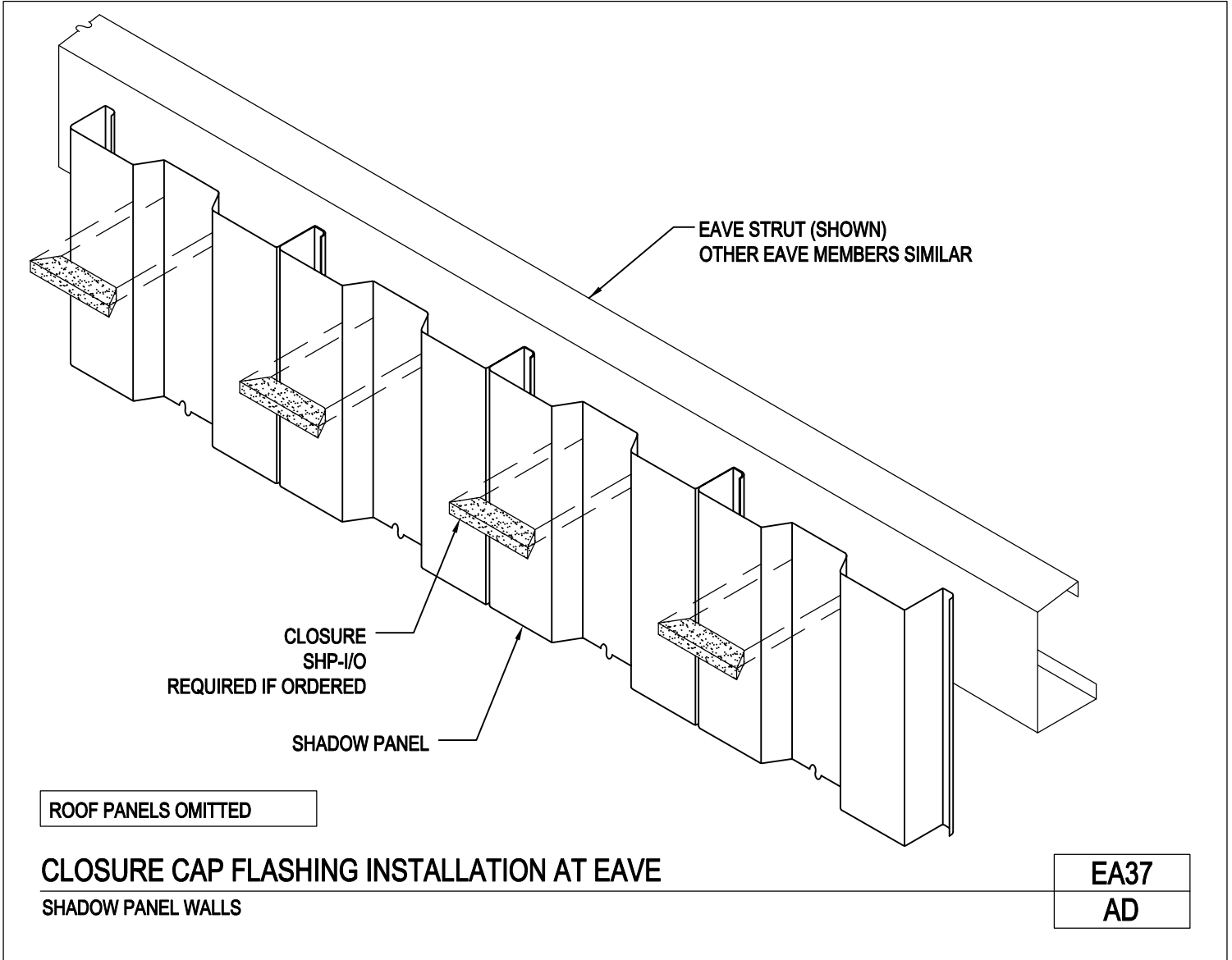
Base Angle Installation
Shadow Panel Walls
BA31/AD



[Download the DWG file by clicking here.](#)

[To Section Index](#)

Closure Cap Flashing Installation at Eave
Shadow Panel Walls
EA37/AD

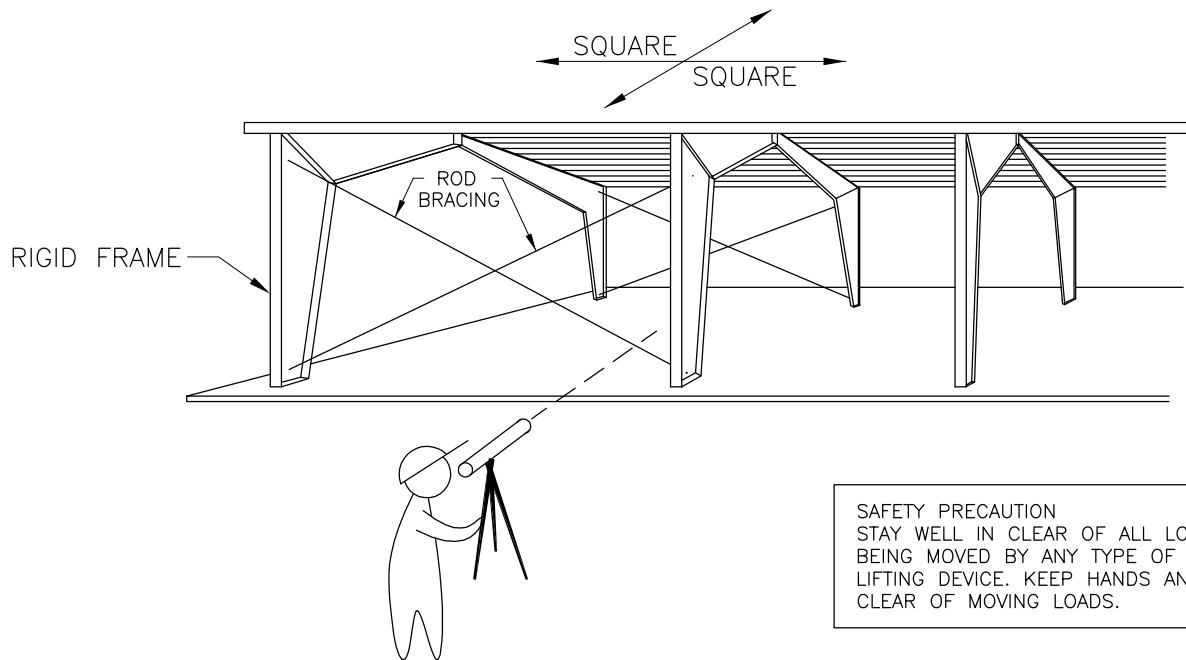


[Download the DWG file by clicking here.](#)

[To Section Index](#)

Building Alignment

GE01/AA



SAFETY PRECAUTION
STAY WELL IN CLEAR OF ALL LOADS
BEING MOVED BY ANY TYPE OF
LIFTING DEVICE. KEEP HANDS AND FEET
CLEAR OF MOVING LOADS.

THE FIRST STEP IN THE SUCCESSFUL INSTALLATION OF THE ROOF OR WALLS IS TO HAVE THE PRIMARY FRAMING PLUMB AND SQUARE. FOR BEST RESULTS, IT IS RECOMMENDED THAT A TRANSIT BE USED WHEN ERECTING THE STRUCTURAL STEEL. BE SURE TO READ THE GENERAL ERECTION GUIDE PRIOR TO COMMENCING ERECTION.

BUILDING ALIGNMENT

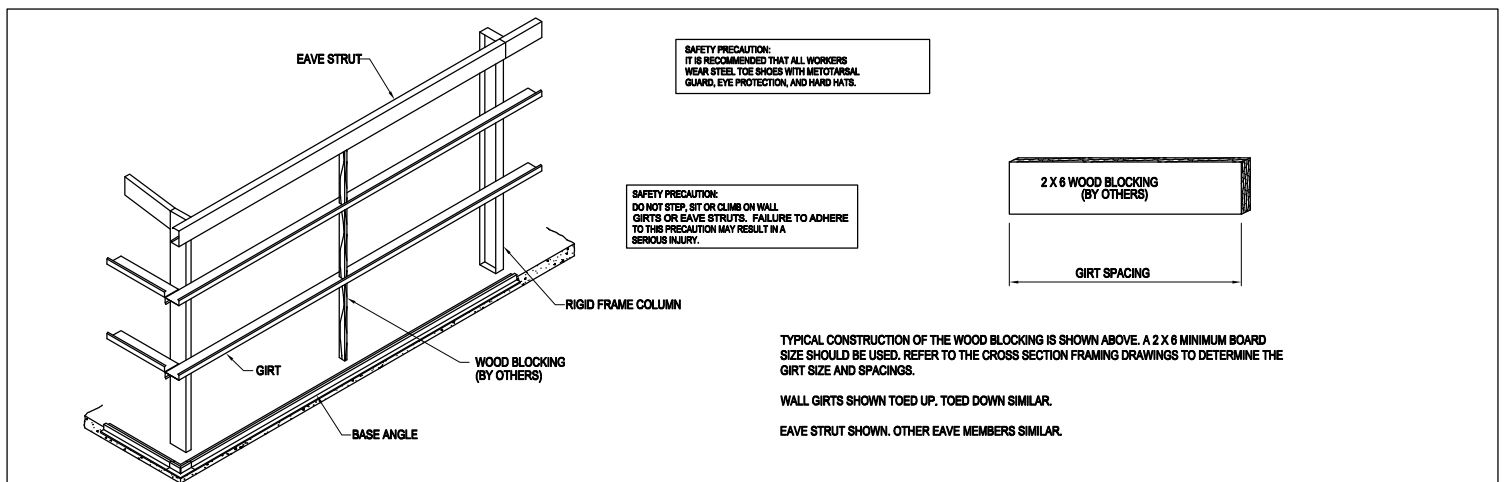
GE01
AA

[Download the DWG file by clicking here.](#)

[To Section Index](#)

Girt Blocking

GE03/AA



SAFETY PRECAUTION:
IT IS RECOMMENDED THAT ALL WORKERS WEAR STEEL TOE SHOES WITH METatarsal GUARD, EYE PROTECTION, AND HARD HATS.

SAFETY PRECAUTION:
DO NOT STEP, SIT OR CLIMB ON WALL GIRTS OR EAVE STRUTS. FAILURE TO ADHERE TO THIS PRECAUTION MAY RESULT IN A SERIOUS INJURY.

2 X 8 WOOD BLOCKING (BY OTHERS)

GIRT SPACING

TYPICAL CONSTRUCTION OF THE WOOD BLOCKING IS SHOWN ABOVE. A 2 X 8 MINIMUM BOARD SIZE SHOULD BE USED. REFER TO THE CROSS SECTION FRAMING DRAWINGS TO DETERMINE THE GIRT SIZE AND SPACINGS.

WALL GIRTS SHOWN TOED UP. TOED DOWN SIMILAR.

EAVE STRUT SHOWN. OTHER EAVE MEMBERS SIMILAR.

INSTALLATION OF THE BUILDING WALLS IS GENERALLY DONE BEFORE THE ROOF. BEFORE STARTING THE WALL SHEETING OR INSULATION, CHECK TO BE SURE THAT THE EAVE STRUT AND GIRTS ARE STRAIGHT AND PLUMB. TO ALIGN THE GIRTS, CUT TEMPORARY WOOD BLOCKING TO THE PROPER LENGTH AND INSTALL BETWEEN THE LINES OF GIRTS. THIS BLOCKING CAN BE MOVED FROM BAY TO BAY WHICH WILL REDUCE THE NUMBER OF PIECES REQUIRED. NORMALLY, ONE LINE OF BLOCKING PER BAY WILL BE SUFFICIENT.

GIRT BLOCKING

GE03
AA

[Download the DWG file by clicking here.](#)

[To Section Index](#)

Safety Commitment

GE70/AA

SAFETY NOTES:

THE METAL BUILDING SUPPLIER STRONGLY RECOMMENDS THAT SAFE WORKING CONDITIONS AND ACCIDENT PREVENTION PRACTICES BE THE TOP PRIORITY ON ANY JOB SITE.

LOCAL, STATE AND FEDERAL SAFETY AND HEALTH STANDARDS SHOULD ALWAYS BE FOLLOWED TO HELP ENSURE WORKER SAFETY.

MAKE CERTAIN ALL EMPLOYEES KNOW THE SAFEST AND MOST PRODUCTIVE WAY OF ERECTING A BUILDING. EMERGENCY TELEPHONE NUMBERS, LOCATIONS OF FIRST AID STATIONS AND EMERGENCY PROCEDURES SHOULD BE KNOWN TO ALL EMPLOYEES.

DAILY MEETINGS HIGHLIGHTING SAFETY PROCEDURES, THE USE OF HARD HATS, RUBBER SOLE SHOES FOR ROOF WORK, PROPER EQUIPMENT FOR HANDLING MATERIAL AND SAFETY NETS WHERE POSSIBLE ARE RECOMMENDED ERECTION PRACTICES.

THE METAL BUILDING SUPPLIER INTENDS THAT THESE DRAWINGS BE INTERPRETED AND ADMINISTERED WITH SOUND JUDGMENT CONSISTENT WITH GOOD SAFETY PRACTICES.

ALL SAFETY PRECAUTIONS, OSHA SAFETY REQUIREMENTS, OR ANY OTHER APPROPRIATE SAFETY REQUIREMENTS, CUSTOMARY OR STATUTORY, MUST BE ADHERED TO, TO ENSURE MAXIMUM WORKER SAFETY.

IF OIL OR OTHER SLIPPERY SUBSTANCES ARE SPILLED ON THE ROOF/DECK PANELS, WIPE THEM OFF IMMEDIATELY TO PREVENT SLIPPING OR FALLING.

YOU SHOULD MAINTAIN A FIRM, SAFE POSITION WHEN USING ANY TOOL.

YOU SHOULD MAINTAIN A CONSTANT AWARENESS OF YOUR LOCATION IN RELATION TO THE ROOF EDGE WHEN USING TOOLS AND MACHINES OR PERFORMING ANY OTHER FUNCTION ON THE ROOF AREA.

DO NOT UNDER ANY CIRCUMSTANCES STEP OR WALK ON THE SURFACE OF ANY FIBERGLASS SKYLIGHT. IF FOOT TRAFFIC IS NECESSARY OVER SKYLIGHT, USE WALK BOARDS THAT ARE PROPERLY SUPPORTED BY THE BUILDING PURLINS.

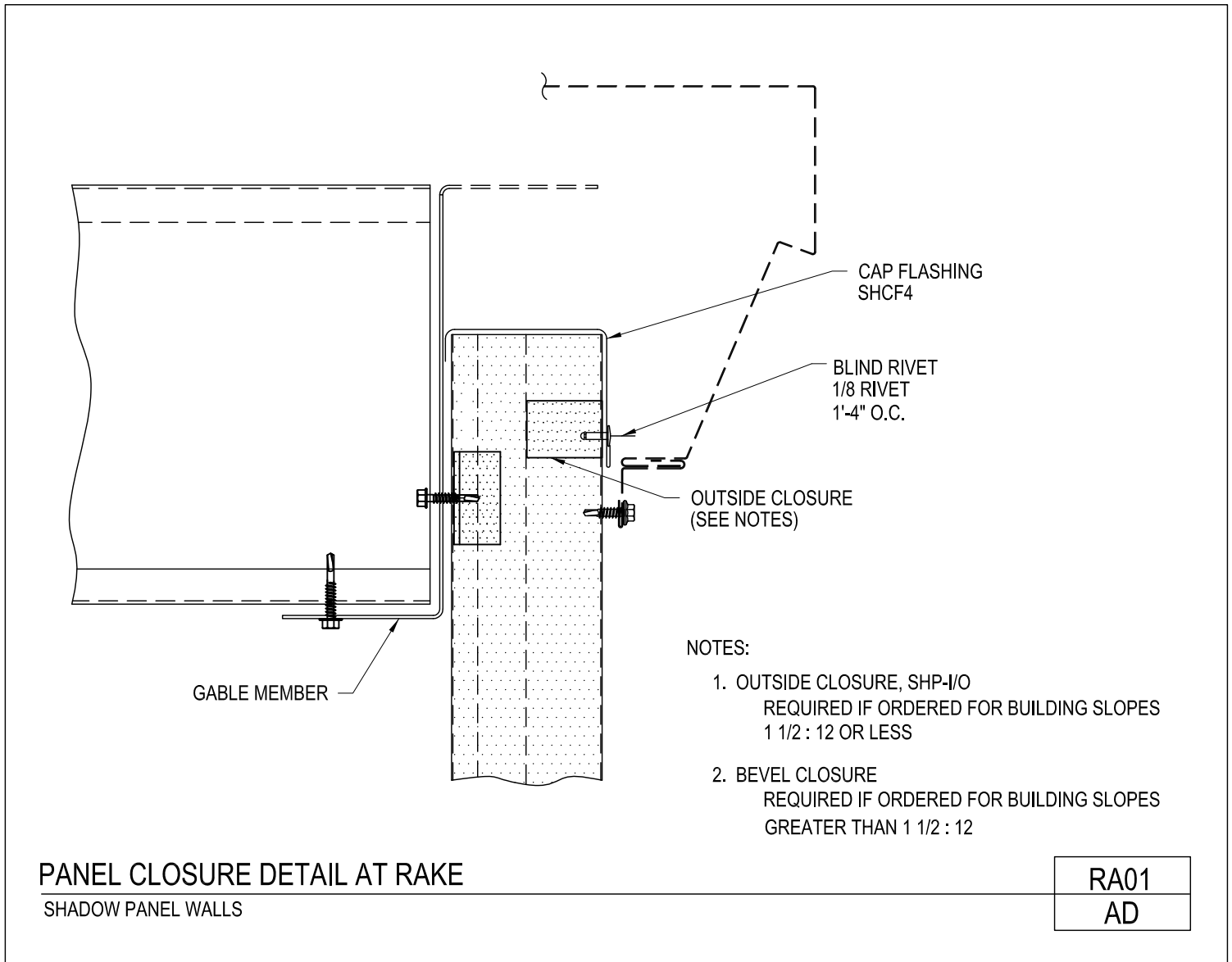
SAFETY COMMITMENT

GE70
AA

[Download the DWG file by clicking here.](#)

[To Section Index](#)

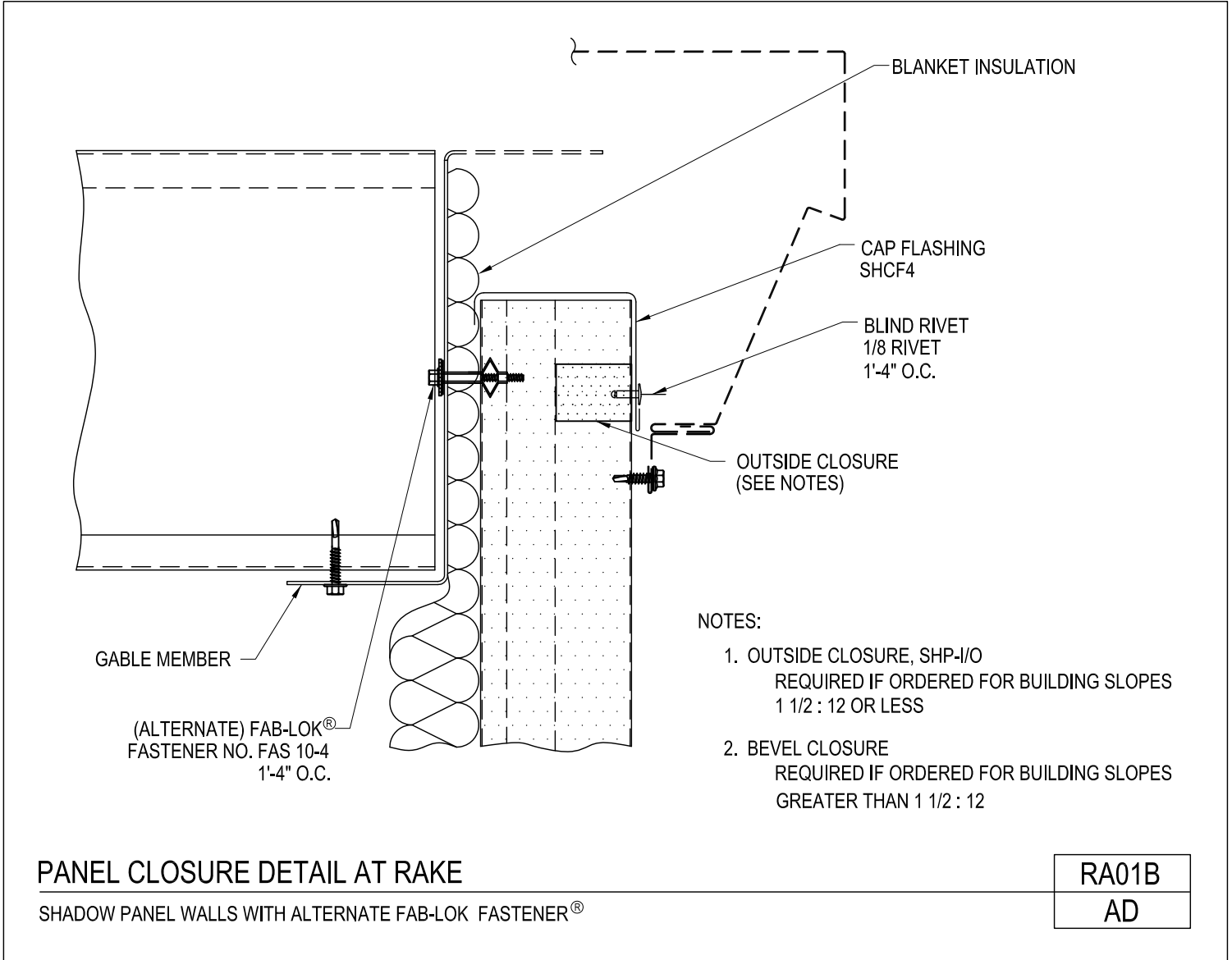
Panel Closure Detail at Rake (Slopes Less than 1 1/2:12)
Shadow Panel Walls
RA01/AD



[Download the DWG file by clicking here.](#)

[To Section Index](#)

Panel Closure Detail at Rake (Slopes Less Than 1 1/2:12)
Shadow Panel Walls With Alternate Fab-Lok Fastener
RA01B/AD



[Download the DWG file by clicking here.](#)

[To Section Index](#)

Panel Storage Notes

RC95/AA

ROOF AND WALL PANELS

ROOF AND WALL PANELS INCLUDING COLOR COATED, ALUMINUM COATED AND GALVANIZED, PROVIDE EXCELLENT SERVICE UNDER WIDELY VARIED CONDITIONS. ALL UNLOADING AND ERECTION PERSONNEL SHOULD FULLY UNDERSTAND THAT THESE PANELS ARE QUALITY MERCHANDISE WHICH MERIT CAUTIOUS CARE IN HANDLING.

UNDER NO CIRCUMSTANCES SHOULD PANELS BE HANDLED ROUGHLY. PACKAGES OF SHEETS SHOULD BE LIFTED OFF THE TRUCK WITH EXTREME CARE TAKEN TO INSURE THAT NO DAMAGE OCCURS TO ENDS OF THE SHEETS OR TO SIDE RIBS. THE PACKAGES SHOULD BE STORED OFF THE GROUND SUFFICIENTLY HIGH ENOUGH TO ALLOW AIR CIRCULATION UNDERNEATH THE PACKAGES. THIS AVOIDS GROUND MOISTURE AND DETERS PEOPLE FROM WALKING ON THE PACKAGES. ONE END OF THE PACKAGE SHOULD ALWAYS BE ELEVATED ABOVE THE LOWER END TO ENCOURAGE DRAINAGE IN CASE OF RAIN.

ALL METAL PANELS ARE SUBJECT TO SOME DEGREE TO LOCALIZED DISCOLORATION OR STAIN WHEN WATER IS TRAPPED BETWEEN THEIR CLOSELY FITTED SURFACES. PANEL MANUFACTURER EXERCISES EXTREME CAUTION DURING FABRICATING AND SHIPPING OPERATIONS TO INSURE THAT ALL PANEL STOCK IS KEPT DRY. HOWEVER, DUE TO CLIMATIC CONDITIONS, WATER FORMED BY CONDENSATION OF HUMID AIR CAN BECOME TRAPPED BETWEEN STACKED SHEETS. WATER CAN ALSO BE TRAPPED BETWEEN THE STACKED SHEETS WHEN EXPOSED TO RAIN. THIS DISCOLORATION CAUSED BY TRAPPED MOISTURE IS OFTEN CALLED WET STORAGE STAIN.

THE STAIN IS USUALLY SUPERFICIAL AND HAS LITTLE EFFECT ON THE APPEARANCE OR SERVICE LIFE OF THE PANELS AS LONG AS IT IS NOT PERMITTED TO REMAIN ON THE PANELS. HOWEVER, MOISTURE IN CONTACT WITH THE SURFACE OF THE PANELS OVER AN EXTENDED PERIOD CAN SEVERELY ATTACK THEIR FINISH AND REDUCE THEIR EFFECTIVE SERVICE LIFE. THEREFORE, IT IS IMPERATIVE THAT ALL PANELS BE INSPECTED FOR MOISTURE UPON RECEIPT OF THE ORDER. IF MOISTURE IS PRESENT, DRY THE PANELS AT ONCE AND STORE IN A DRY, WARM PLACE, IF POSSIBLE.

WHEN HANDLING OR UNCRATING THE PANELS, LIFT, RATHER THAN SLIDE, THEM APART. BURRING EDGES MAY SCRATCH THE COATED SURFACES WHEN SHEETS ARE SLID OVER ONE ANOTHER. NEVER ALLOW PANELS TO BE WALKED ON WHILE ON THE GROUND.

ROUGH AND IMPROPER HANDLING OF PANELS IS INEXCUSABLE AND A PRIME EXAMPLE OF POOR JOB SUPERVISION.

CAUTION: PANELS ARE SLIPPERY. OIL OR WAX THAT HAS BEEN USED ON THE ROOF AND WALL PANELS FOR PROTECTION AGAINST WEATHER DAMAGE WILL MAKE THEM A VERY SLIPPERY WALKING SURFACE. WIPE DRY ANY OIL THAT HAS PUDDLED FROM BUNDLES STORED ON A SLOPE. DEW, FROST OR OTHER FORMS OF MOISTURE GREATLY INCREASE THE SLIPPERINESS OF THE PANELS.

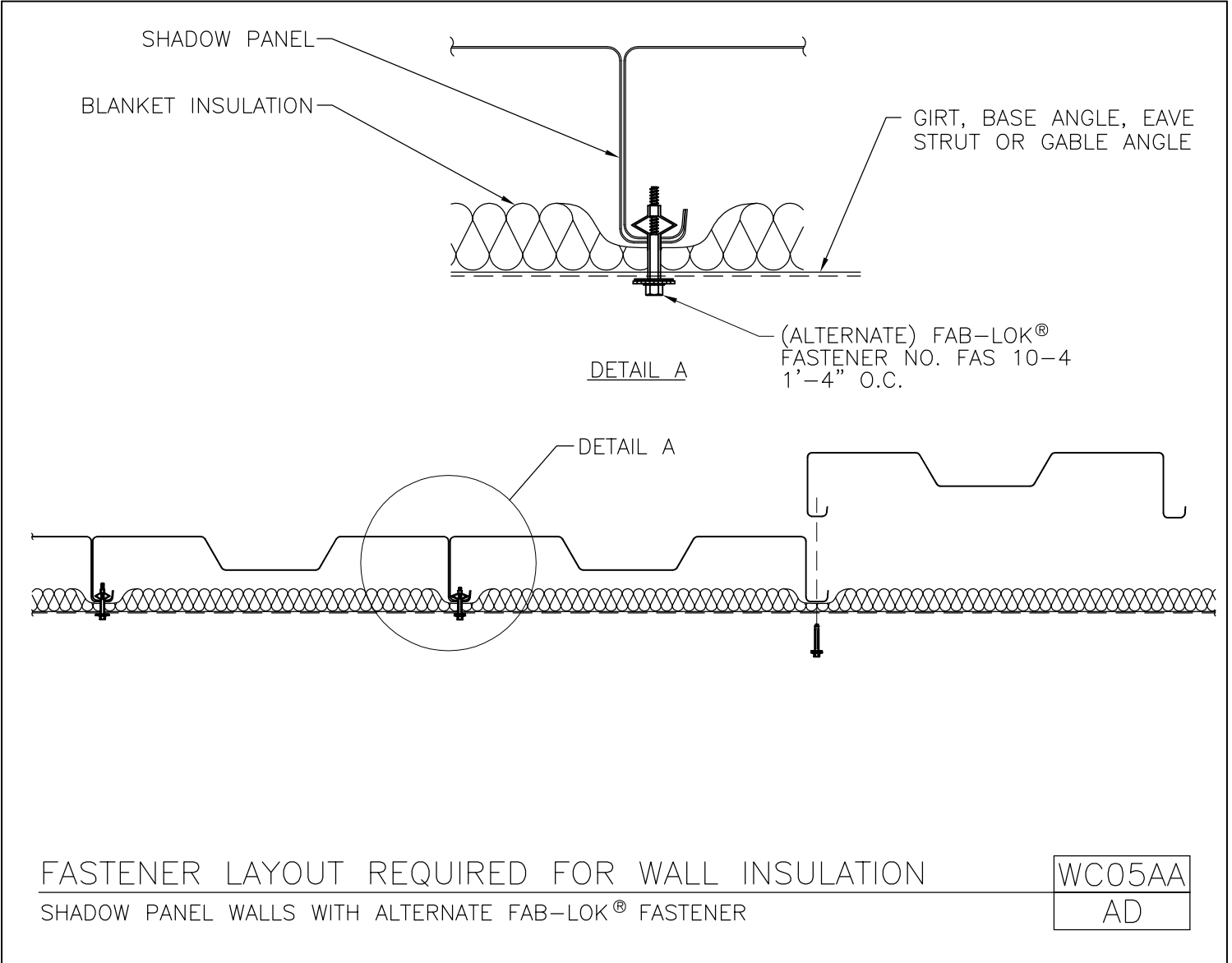
PANEL STORAGE NOTES

RC95
AA

[Download the DWG file by clicking here.](#)

[To Section Index](#)

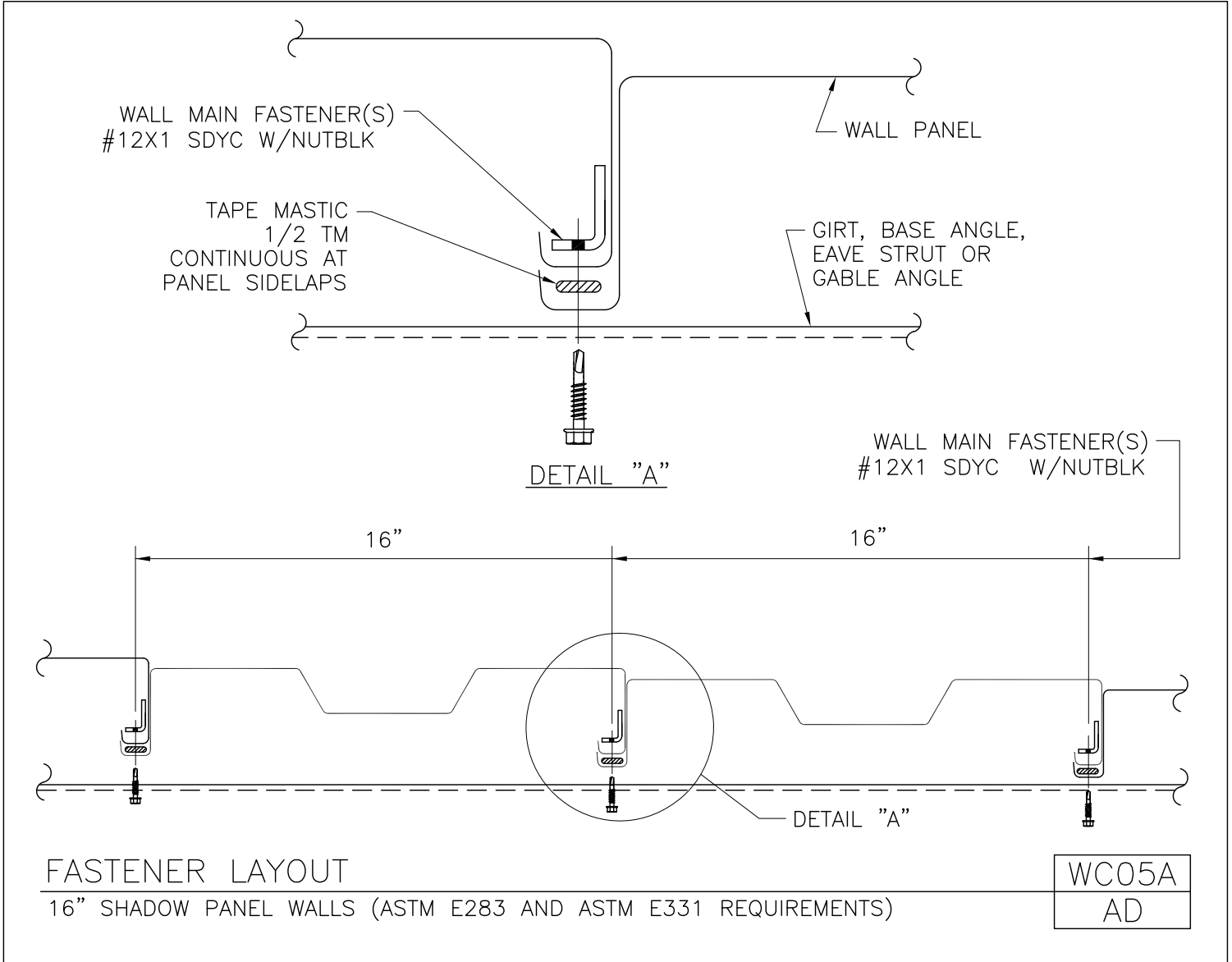
Fastener Layout Required for Wall Insulation
Shadow Panel Walls with Alternate Fab-Lok Fastener
WC05AA/AD



[Download the DWG file by clicking here.](#)

[To Section Index](#)

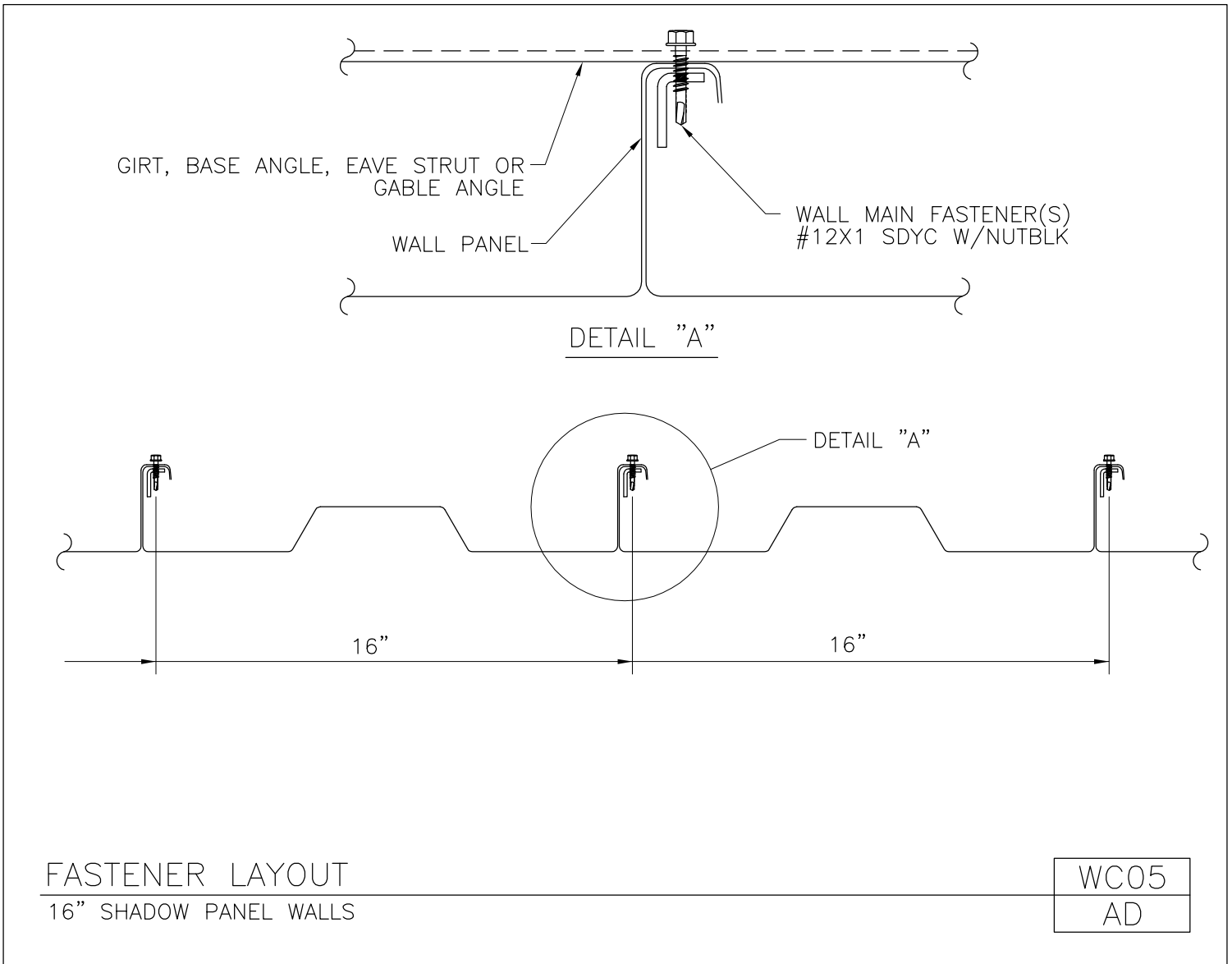
Fastener Layout
16" Shadow Panel Walls (ASTM E283 and ASTM E331 Requirements)
WC05A/AD



[Download the DWG file by clicking here.](#)

[To Section Index](#)

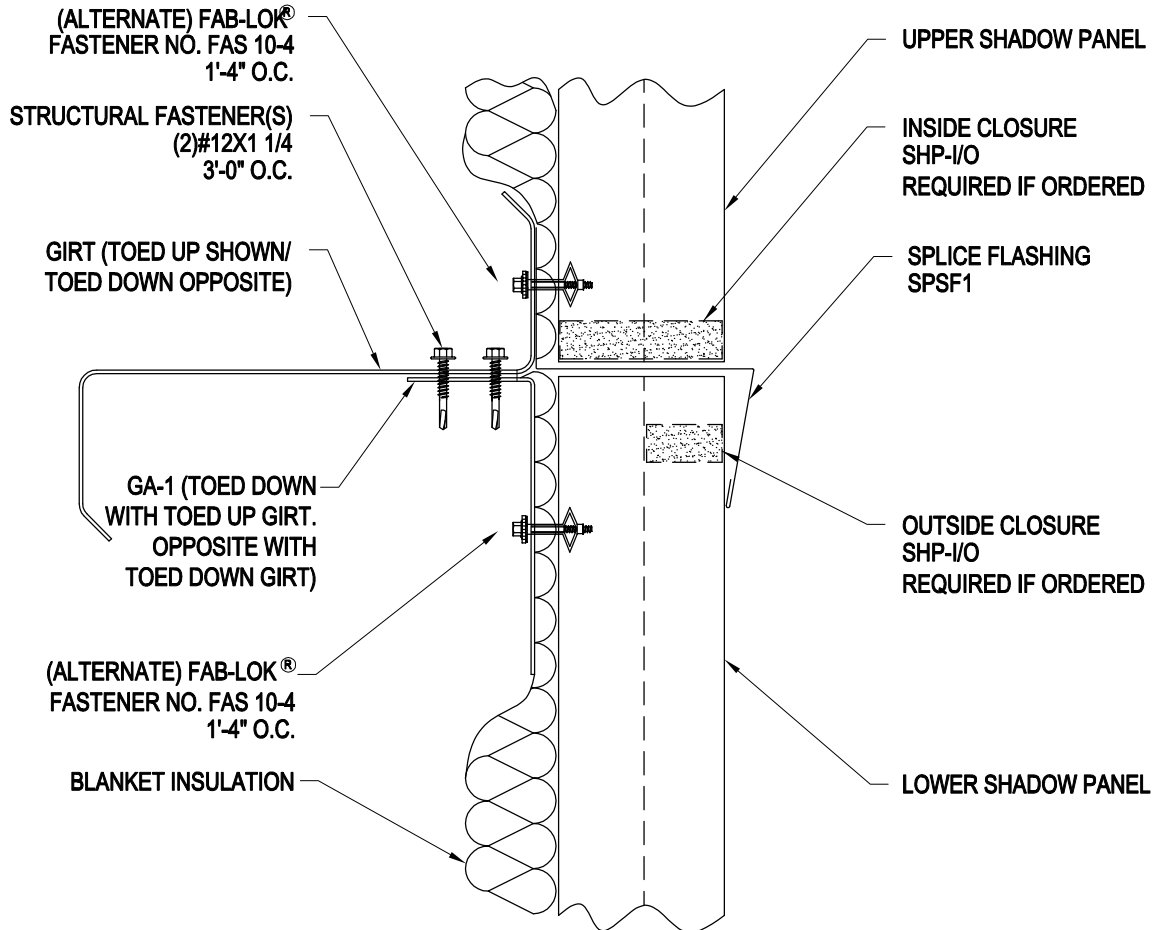
Fastener Layout
16" Shadow Panel Walls
WC05/AD



[Download the DWG file by clicking here.](#)

[To Section Index](#)

Panel Splice Detail
Shadow Panel Wall with Alternate Fab-Lok Fastener
WC06A/AD



PANEL SPLICE DETAIL

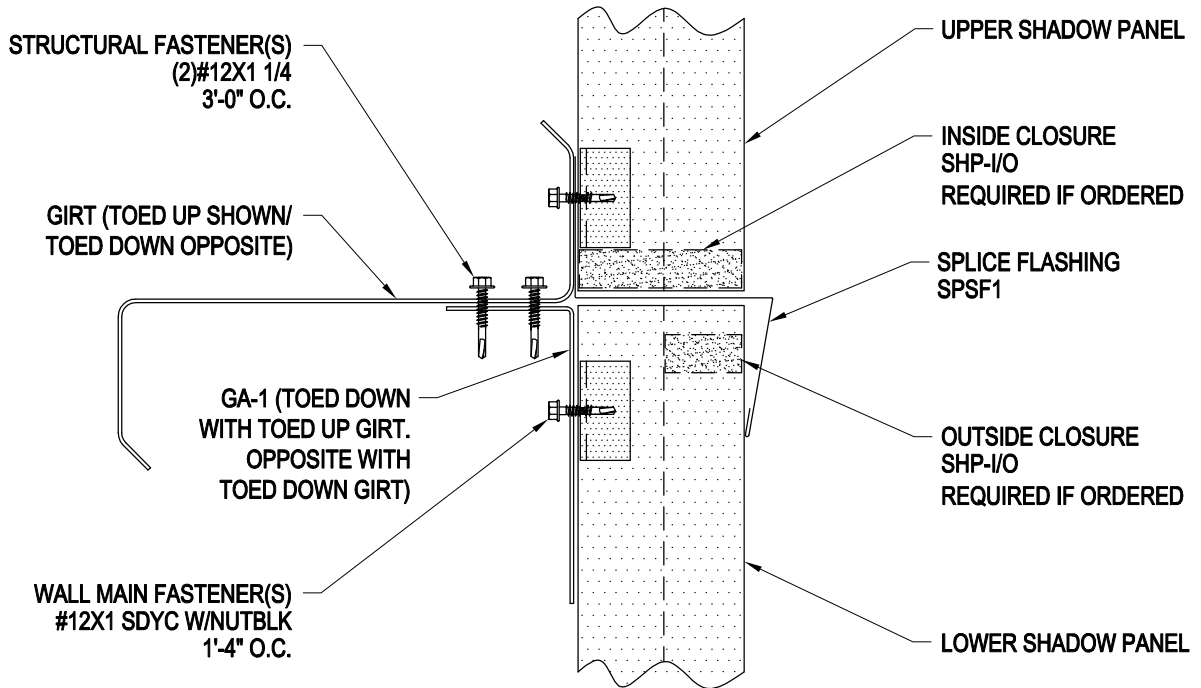
SHADOW PANEL WALLS WITH ALTERNATE FAB-LOK® FASTENER

WC06A
AD

[Download the DWG file by clicking here.](#)

[To Section Index](#)

Panel Splice Detail
Shadow Panel Walls
WC06/AD



SAFETY PRECAUTION:
WORKERS SHOULD BE TRAINED IN
THE PROPER ERECTION PROCEDURES
FOR ALL JOBS.

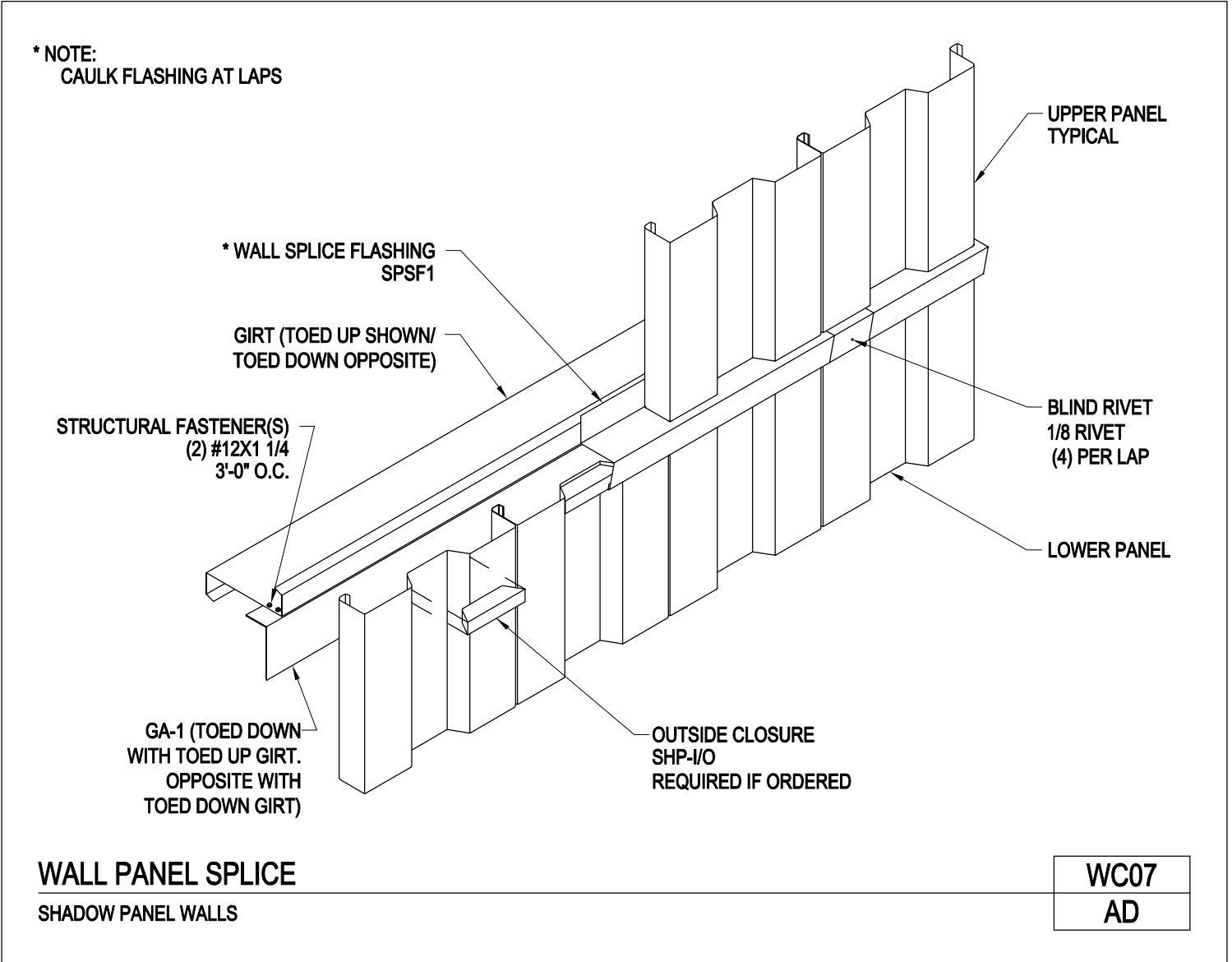
PANEL SPLICE DETAIL
SHADOW PANEL WALLS

WC06
AD

[Download the DWG file by clicking here.](#)

[To Section Index](#)

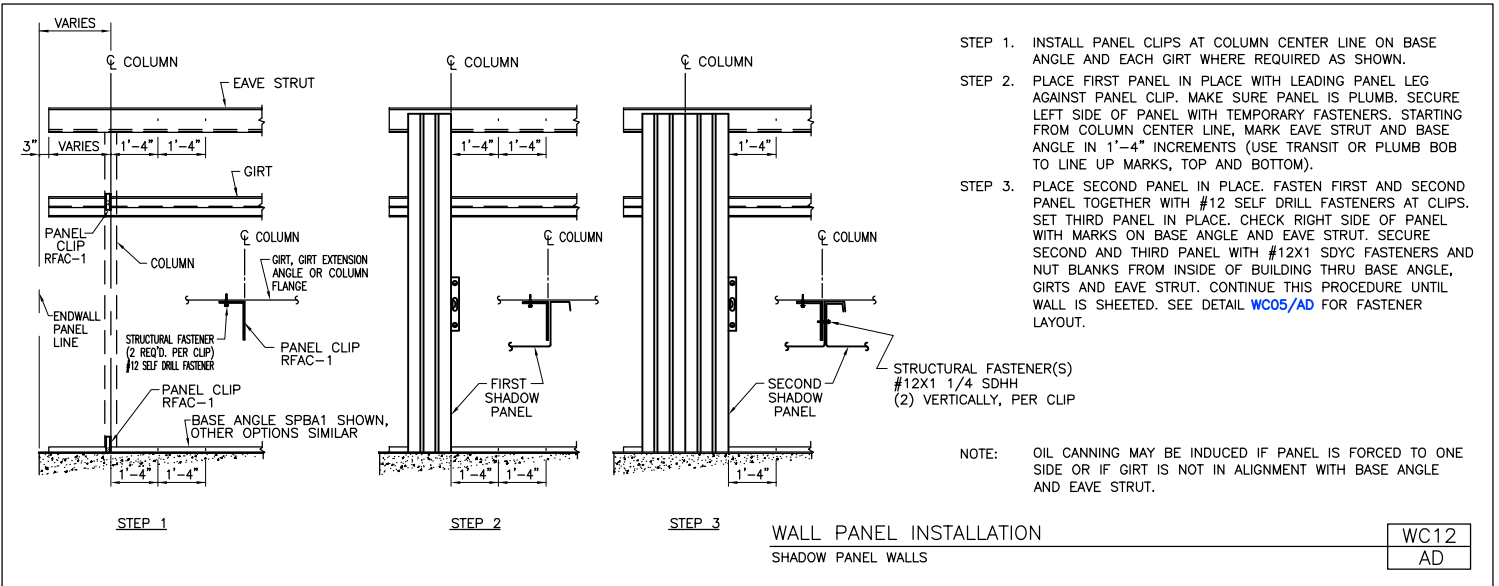
Wall Panel Splice
Shadow Panel Walls
WC07/AD



[Download the DWG file by clicking here.](#)

[To Section Index](#)

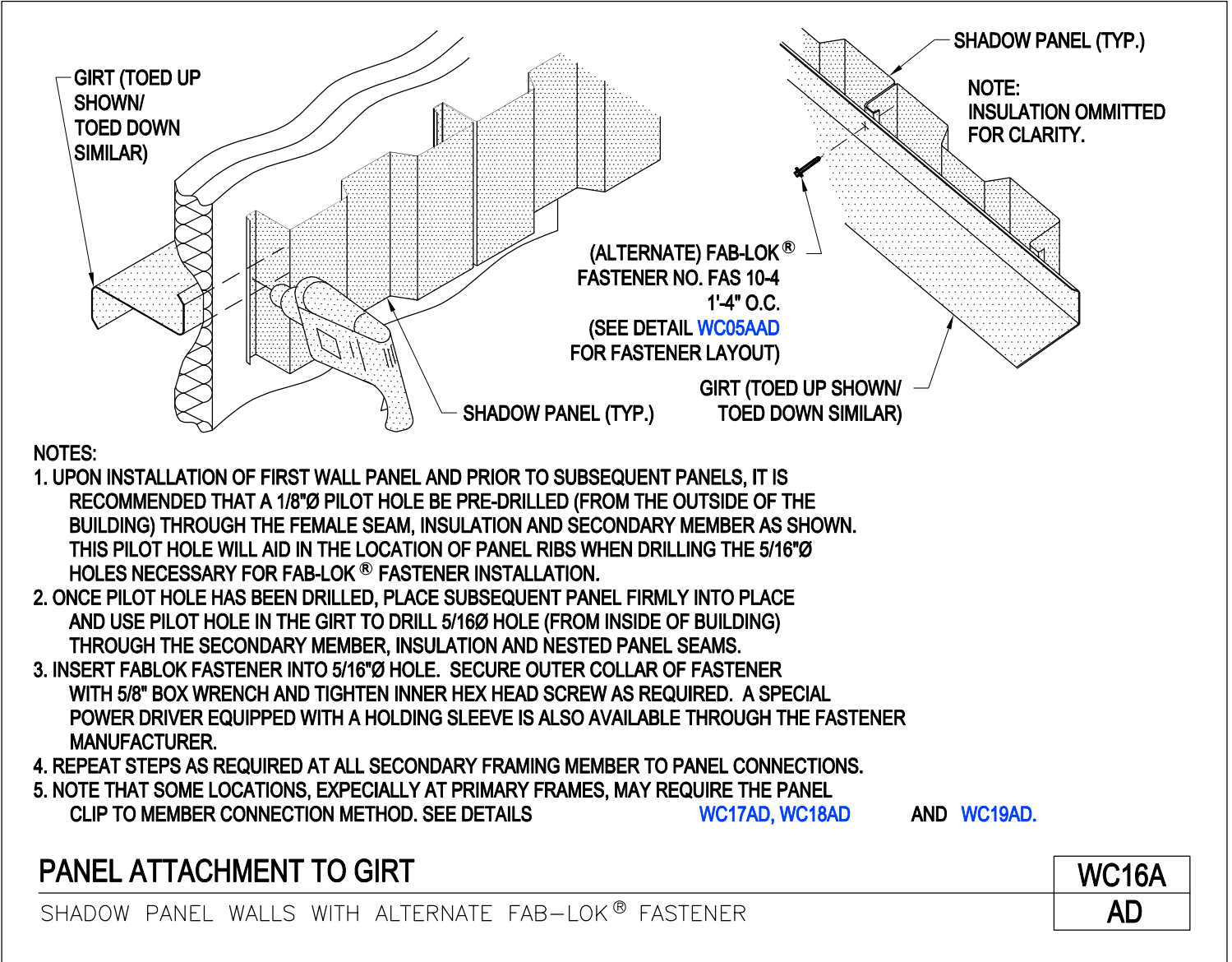
Wall Panel Installation
Shadow Panel Walls
WC12/AD



[Download the DWG file by clicking here.](#)

[To Section Index](#)

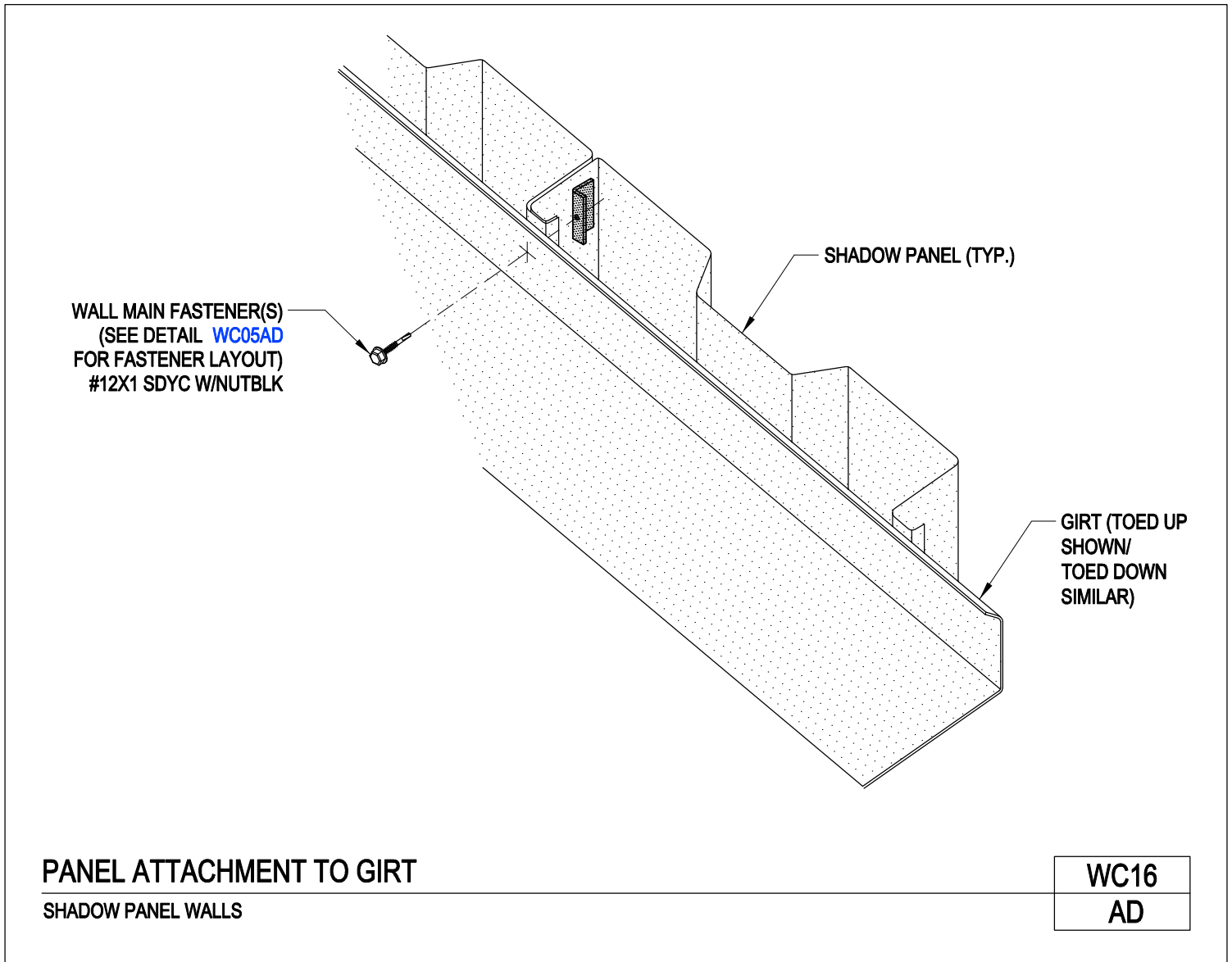
Panel Attachment to Girt
Shadow Panel Walls with Alternate Fab-Lok Fastener
WC16A/AD



[Download the DWG file by clicking here.](#)

[To Section Index](#)

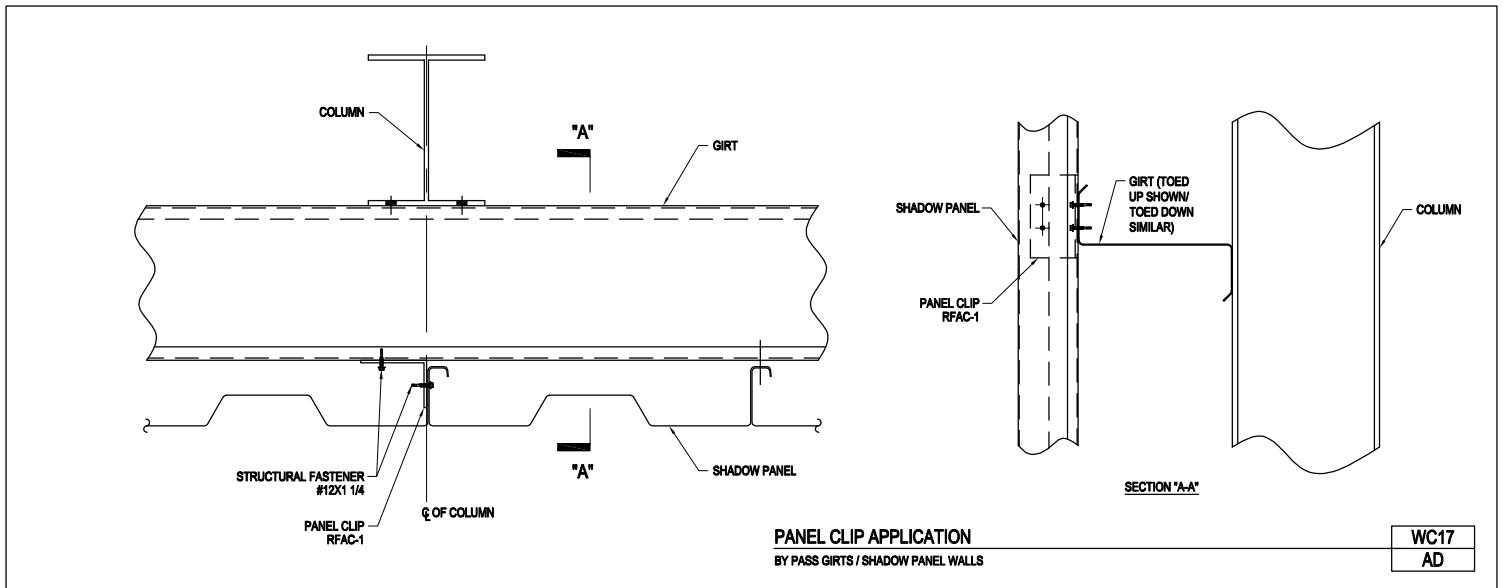
Panel Attachment to Girt
Shadow Panel Walls
WC16/AD



[Download the DWG file by clicking here.](#)

[To Section Index](#)

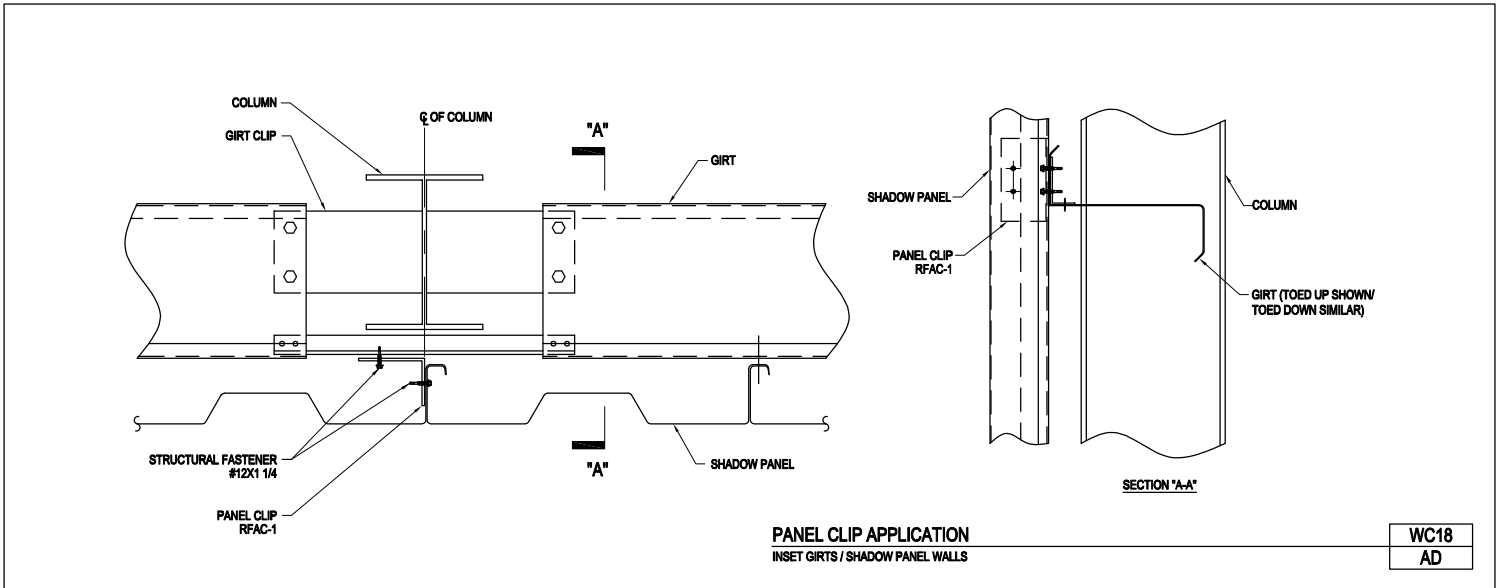
Panel Clip Application
By Pass Girts / Shadow Panel Walls
WC17/AD



[Download the DWG file by clicking here.](#)

[To Section Index](#)

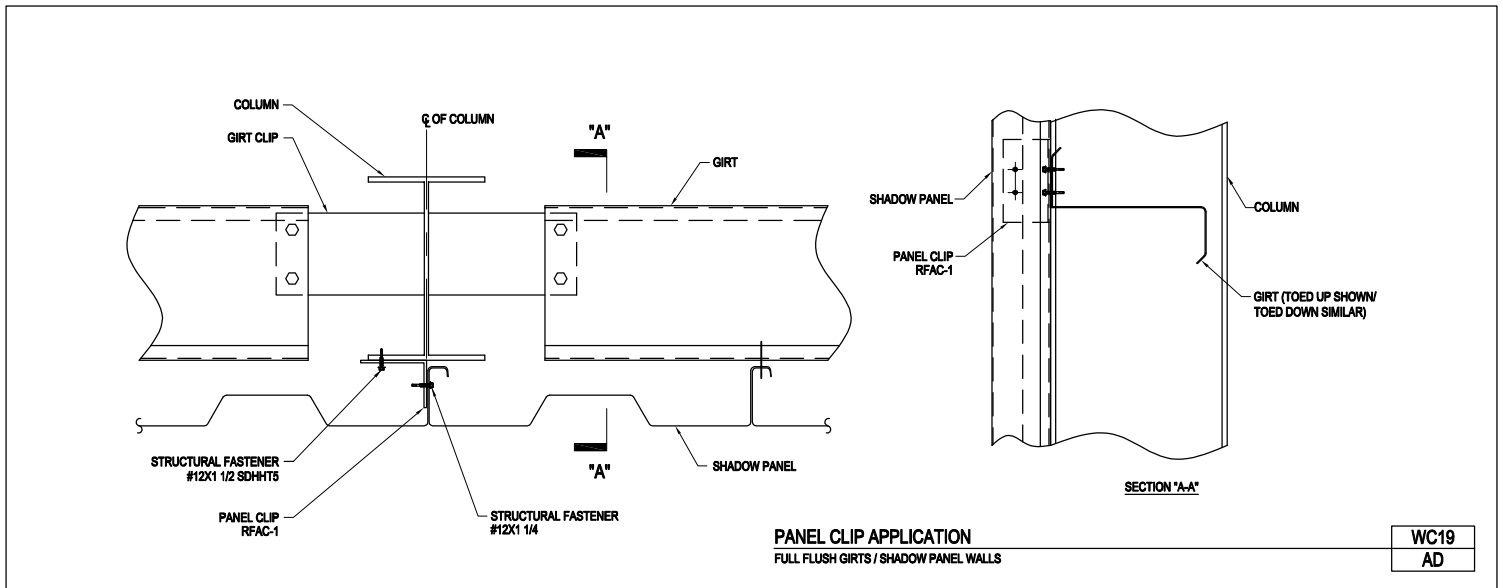
Panel Clip Application
Inset Girts / Shadow Panel Walls
WC18/AD



[Download the DWG file by clicking here.](#)

[To Section Index](#)

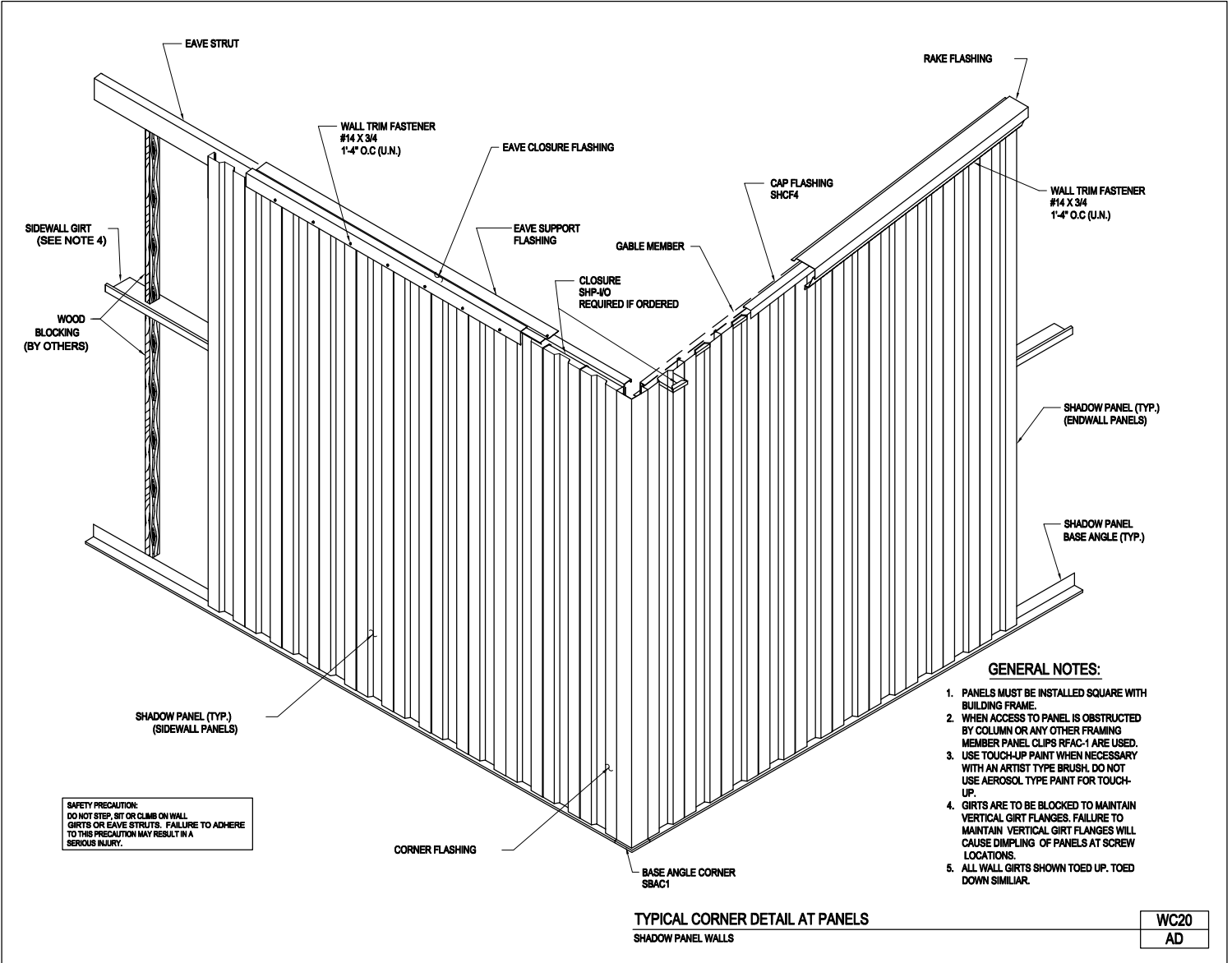
Panel Clip Application
Full Flush Girts / Shadow Panel Walls
WC19/AD



[Download the DWG file by clicking here.](#)

[To Section Index](#)

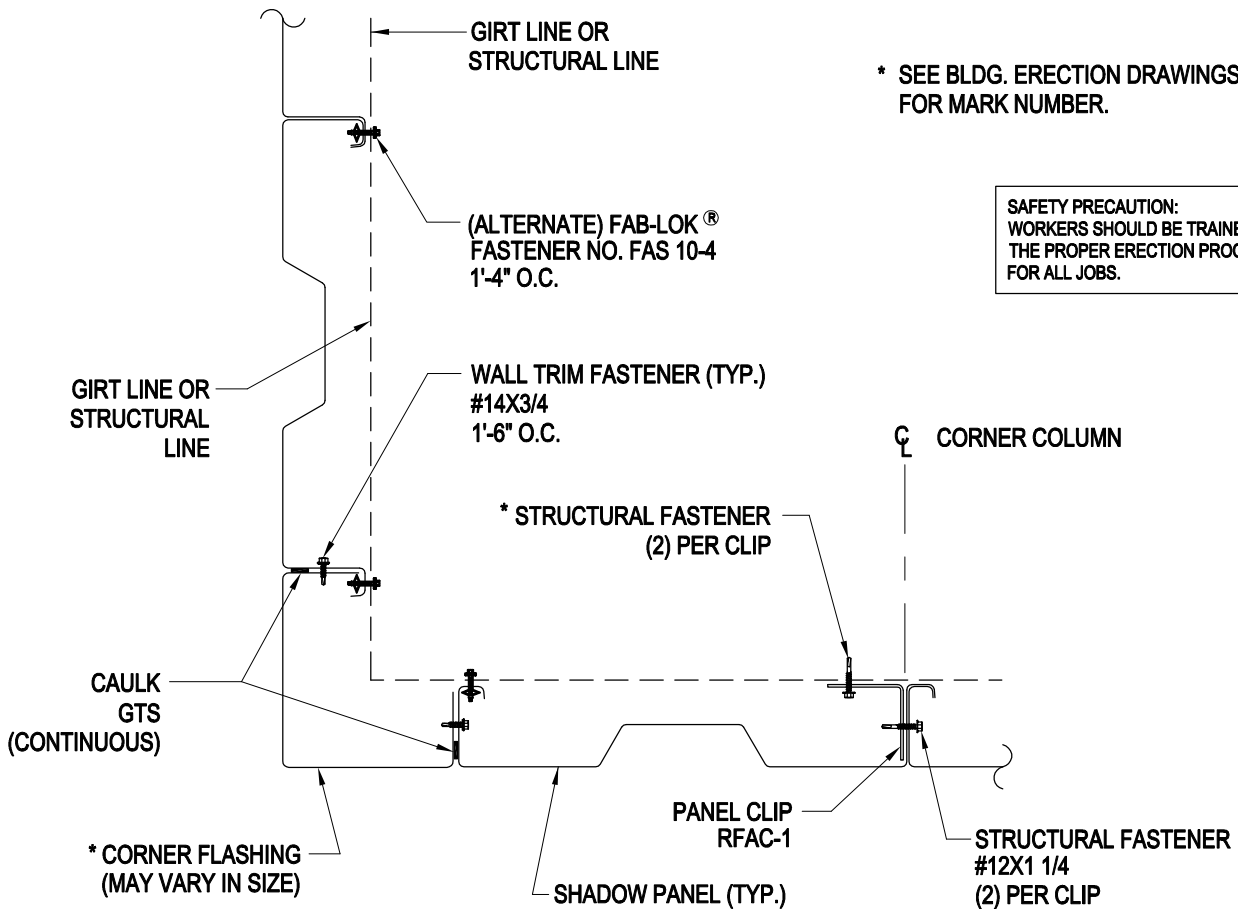
Typical Corner Detail at Panels
Shadow Panel Walls
WC20/AD



[Download the DWG file by clicking here.](#)

[To Section Index](#)

Corner Flashing Detail (Outside)
Shadow Panel Walls with Alternate Fab-Lok Fastener
WC21A/AD



CORNER FLASHING DETAIL (OUTSIDE)

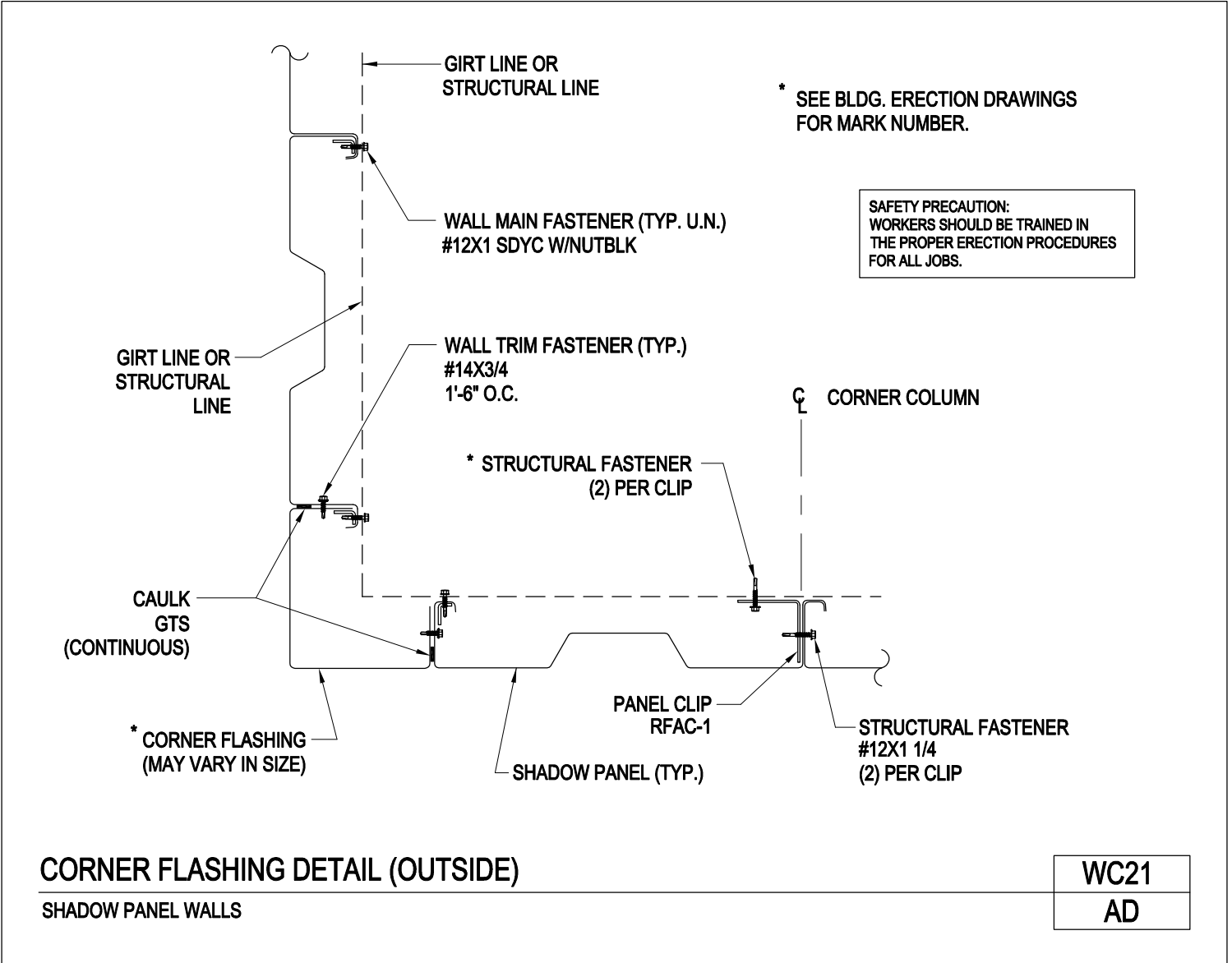
SHADOW PANEL WALLS WITH ALTERNATE FAB-LOK FASTENER®

WC21A
AD

[Download the DWG file by clicking here.](#)

[To Section Index](#)

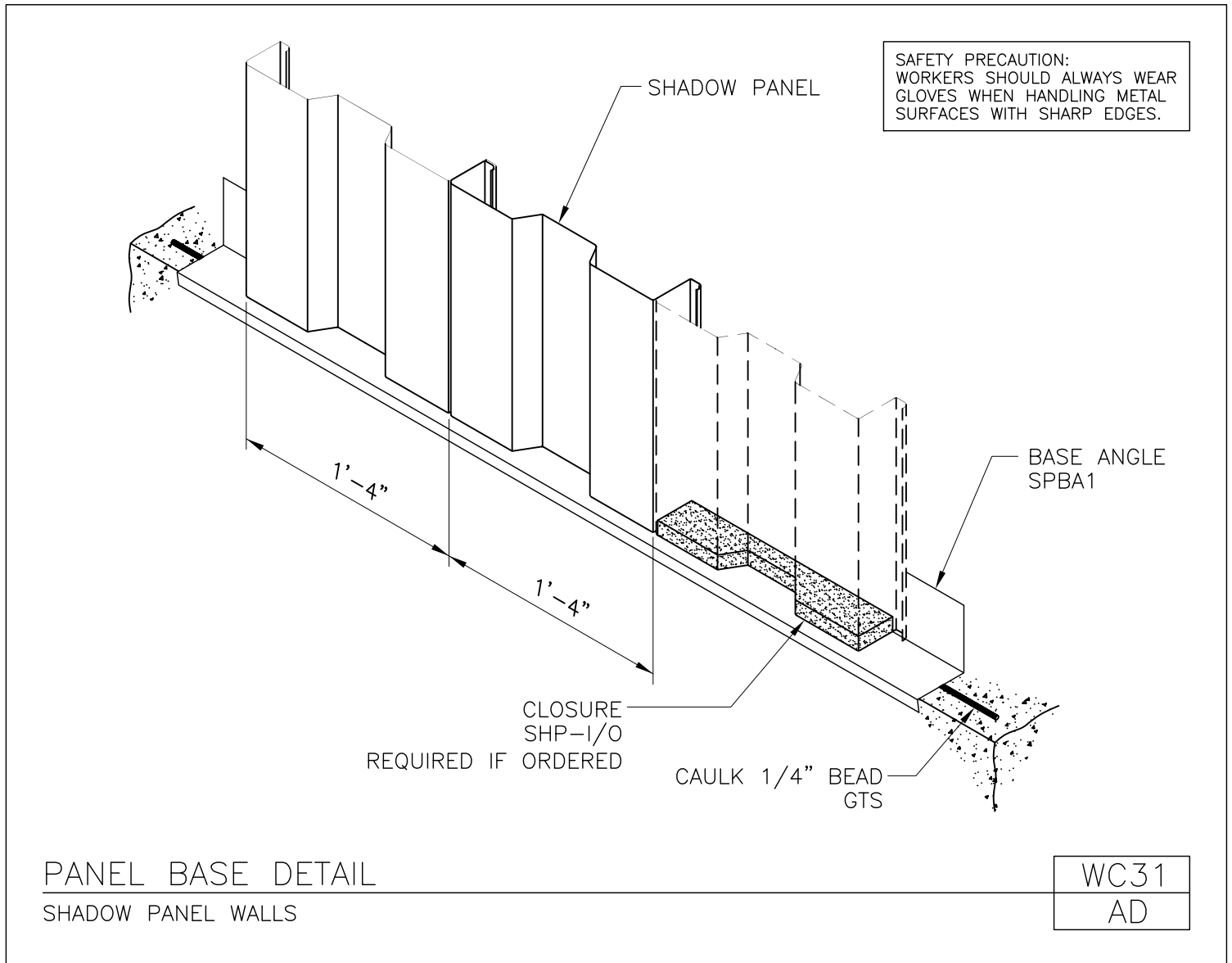
Corner Flashing Detail (Outside)
Shadow Panel Walls
WC21/AD



[Download the DWG file by clicking here.](#)

[To Section Index](#)

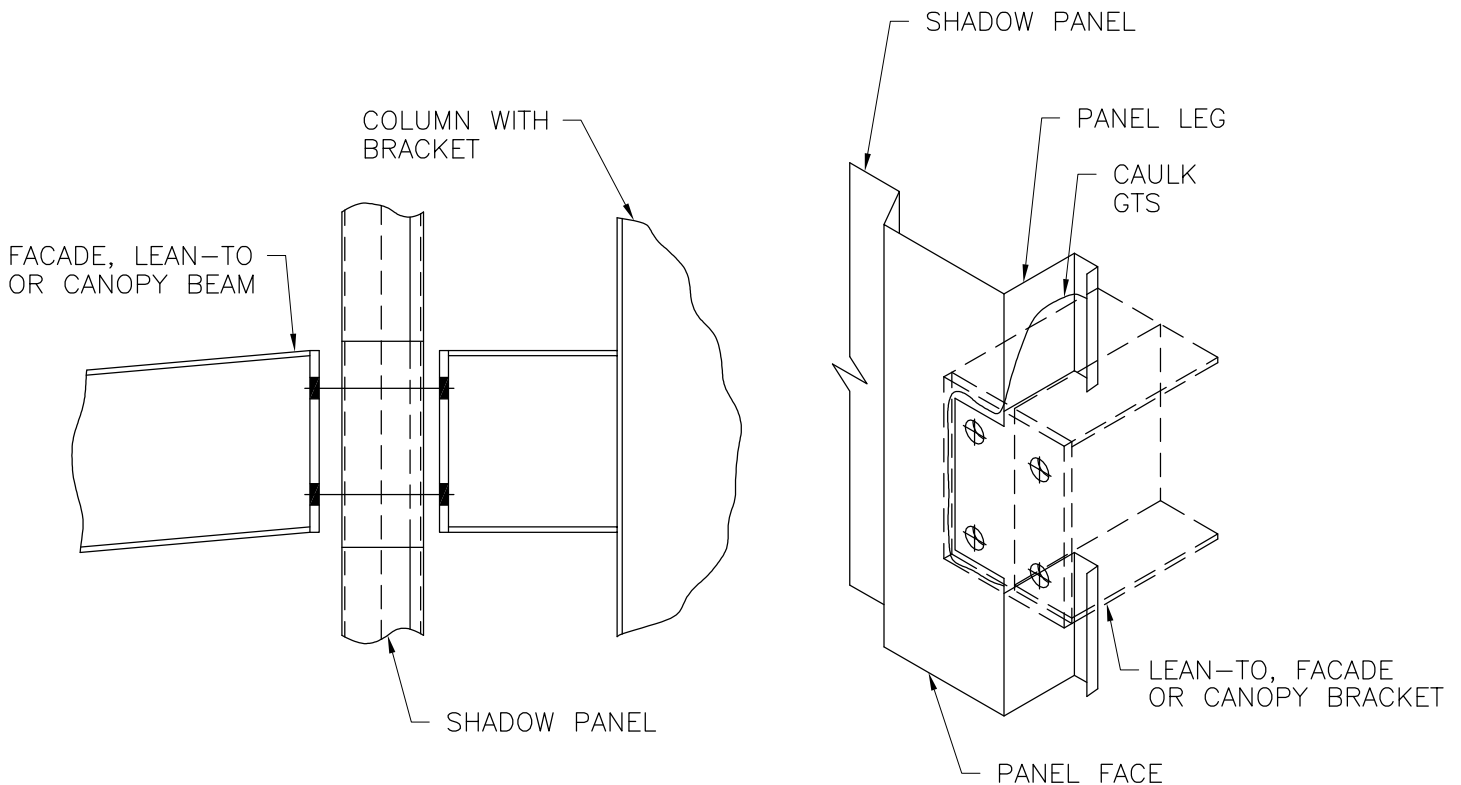
Panel Base Detail
Shadow Panel Walls
WC31/AD



[Download the DWG file by clicking here.](#)

[To Section Index](#)

Facade, Canopy and Lean-To Connections to Main Bldg.
Shadow Panel Walls
WC35/AD



NOTCH PANEL LEG AS SHOWN TO CLEAR BRACKET, NOTCH FACE OF PANEL TO CLEAR BOLT HOLES FOR ATTACHING BEAM ONLY.
NOTE: SOME BRACKETS ARE LARGER THAN ATTACHING BEAMS.

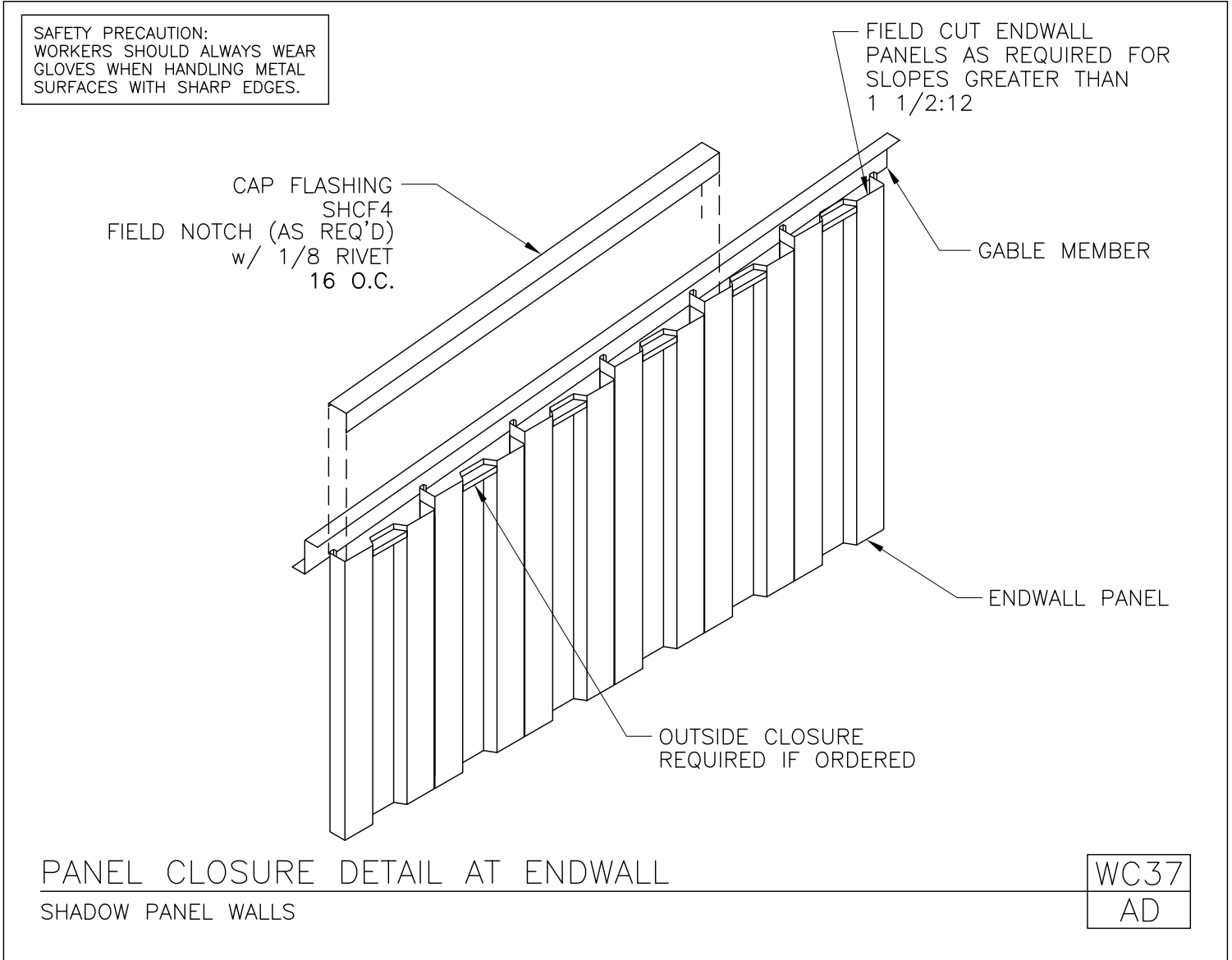
FACADE, CANOPY AND LEAN-TO CONNECTIONS TO MAIN BLDG.
SHADOW PANEL WALLS

WC35
AD

[Download the DWG file by clicking here.](#)

[To Section Index](#)

Panel Closure Detail at Endwall (Slopes Less than 1 1/2:12)
Shadow Panel Walls
WC37/AD



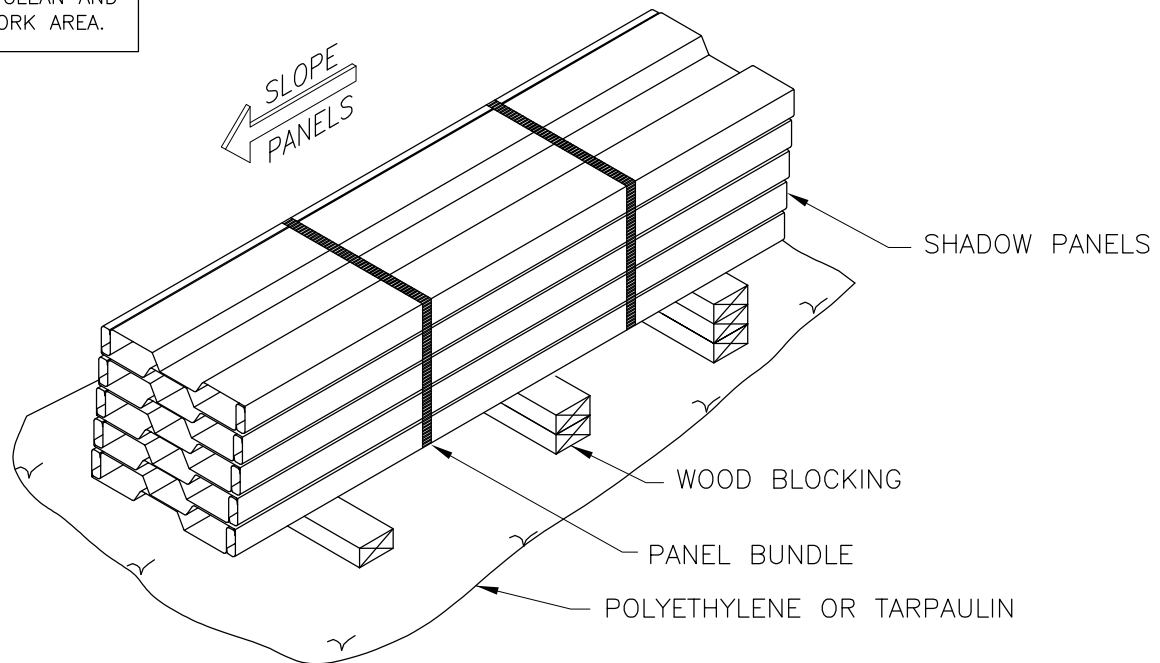
[Download the DWG file by clicking here.](#)

[To Section Index](#)

Panel Storage
Shadow Panels
WC51/AD

USE WOOD BLOCKING TO ELEVATE AND SLOPE THE PANELS IN A MANNER THAT WILL ALLOW MOISTURE TO DRAIN. WOOD BLOCKING PLACED BETWEEN PANEL BUNDLES WILL PROVIDE ADDITIONAL AIR CIRCULATION. COVER THE AREA BENEATH PANELS WITH POLYETHYLENE OR A TARPAULIN TO PREVENT DIRT AND DEBRIS FROM ENTERING FEMALE SEAM.

SAFETY PRECAUTION
MAINTAIN A CLEAN AND
ORDERLY WORK AREA.



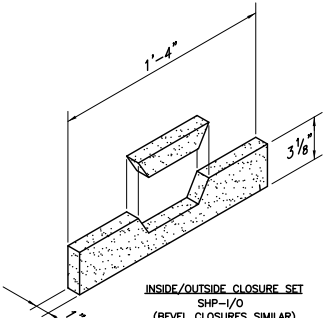
PANEL STORAGE
SHADOW PANELS

WC51
AD

[Download the DWG file by clicking here.](#)


[To Section Index](#)

Basic Parts and Pieces
Shadow Panel Walls
WC61/AD




INSIDE/OUTSIDE CLOSURE SET
SHP-1/O
(BEVEL CLOSURES SIMILAR)

WALL FASTENERS




DESCRIPTION
#12 X 1 1/4
SELF DRILLING CARBON STEEL HEX HEAD
FASTENER WITHOUT WASHER
MARK NO. #12X1 1/4

APPLICATION
SHEET TO CLIPS AND PANEL CLIPS TO
GIRTS.



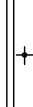
DESCRIPTION
#12 X 1
SELF DRILLING YELLOW CHROMATE HEX HEAD
FASTENER WITHOUT WASHER
MARK NO. #12X1 SDYC

APPLICATION
SHEET TO STRUCTURAL CONNECTIONS.
(FOR USE WITH NUT BLANK ONLY)



DESCRIPTION
#14 STITCH
SELF DRILLING COLOR MATCHING HEX HEAD
FASTENER WITHOUT WASHER
MARK NO. #14X3/4


APPLICATION
(1/8" PILOT & 1/4" CLEARANCE HOLE REQ'D.)
FLASHING TO PANEL CONNECTIONS AND OTHER
SHEET TO SHEET CONNECTIONS.



DESCRIPTION
SELF WRENCHING NUT BLANK
MARK NO. NUTBLK


APPLICATION
USED WITH #12X1 SDYC AT SHEET TO
STRUCTURAL CONNECTIONS.

SPECIAL CONDITION FASTENERS




DESCRIPTION
#12 X 1 1/4 TEK4
SELF DRILLING CARBON STEEL HEX HEAD
FASTENER WITHOUT WASHER
MARK NO. #12X1 1/4 SDHHT4

APPLICATION
(STEEL THICKNESSES GREATER THAN 12 GA.
AND UP TO AND INCLUDING 1/4")
SHADOW PANEL CLIP ATTACHMENTS
TO COLUMN FLANGES.



DESCRIPTION
#12 X 1 1/2 TEKS
SELF DRILLING CARBON STEEL HEX HEAD
FASTENER WITHOUT WASHER
MARK NO. #12X1 1/2 SDHHT5


APPLICATION
(STEEL THICKNESSES GREATER THAN 1/4"
AND UP TO AND INCLUDING 1/2")
SHADOW PANEL CLIP ATTACHMENTS
TO COLUMN FLANGES.



MISCELLANEOUS FASTENERS


DESCRIPTION
1/8" BLIND RIVET
MARK NO. 1/8 RIVET

APPLICATION
FLASHING LAPS AND FLASHING
TO PANEL CONNECTIONS.



DESCRIPTION
FAB-LOK® FASTENER (SPECIAL ORDER)
FASTENER NO. FAS 10-4
ALTERNATE FASTENER REPLACES
#12X1 SDYC WITH NUTBLANK

APPLICATION
SHEET TO STRUCTURAL CONNECTIONS.
RECOMMENDED FOR USE WITH WALL INSULATION
NOTE: REQUIRES A 5/16" FIELD DRILLED HOLE



DESCRIPTION
FAB-LOK® DRIVE TOOL (SPECIAL ORDER)
HOLDING SLEEVE w/ SOCKET
FOR PRODUCT OR ORDERING INFORMATION,
CALL 1.800.435.7213



SHADOW PANEL CLIP
RFAC-1

NOTE: ALL HEX HEAD SIZES SHALL REQUIRE A 5/16" HEX SOCKET UNLESS NOTED.

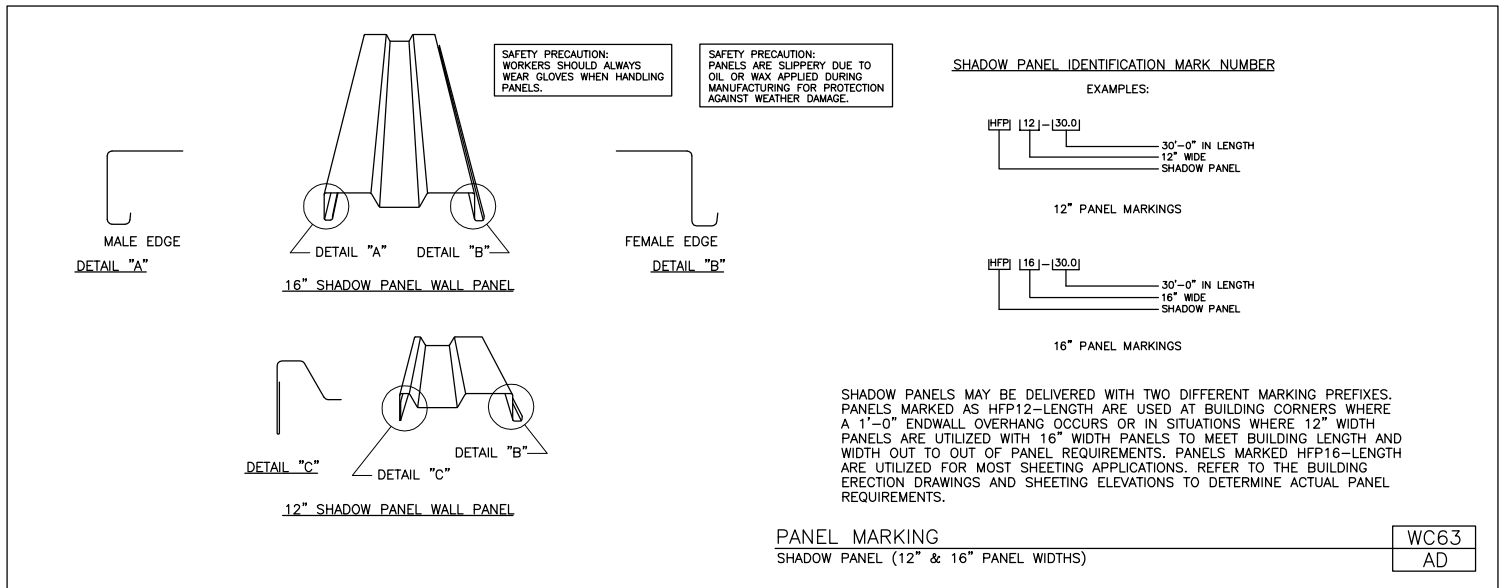
BASIC PARTS AND PIECES
SHADOW PANEL WALLS

WC61
AD

[Download the DWG file by clicking here.](#)

[To Section Index](#)

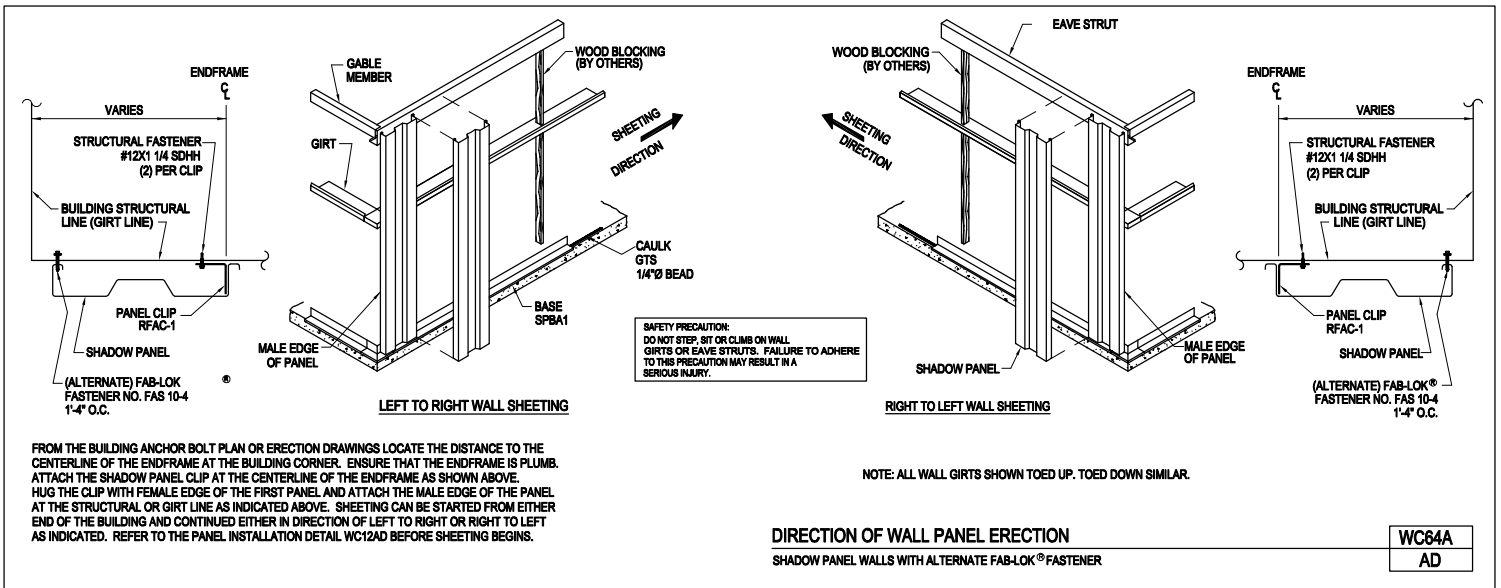
Panel Marking
Shadow Panel (12" & 16" Panel Widths)
WC63/AD



[Download the DWG file by clicking here.](#)

[To Section Index](#)

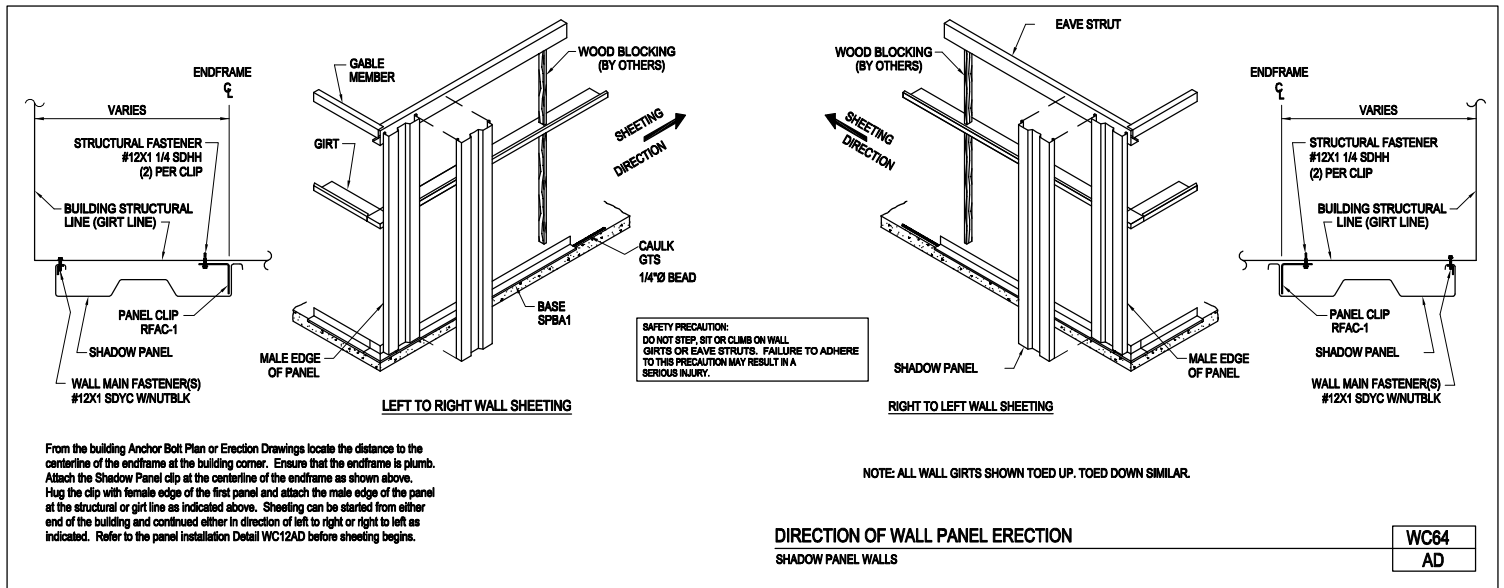
Direction of Wall Panel Erection
 Shadow Panel Walls with Alternate Fab-Lok Fastener
 WC64A/AD



[Download the DWG file by clicking here.](#)

[To Section Index](#)

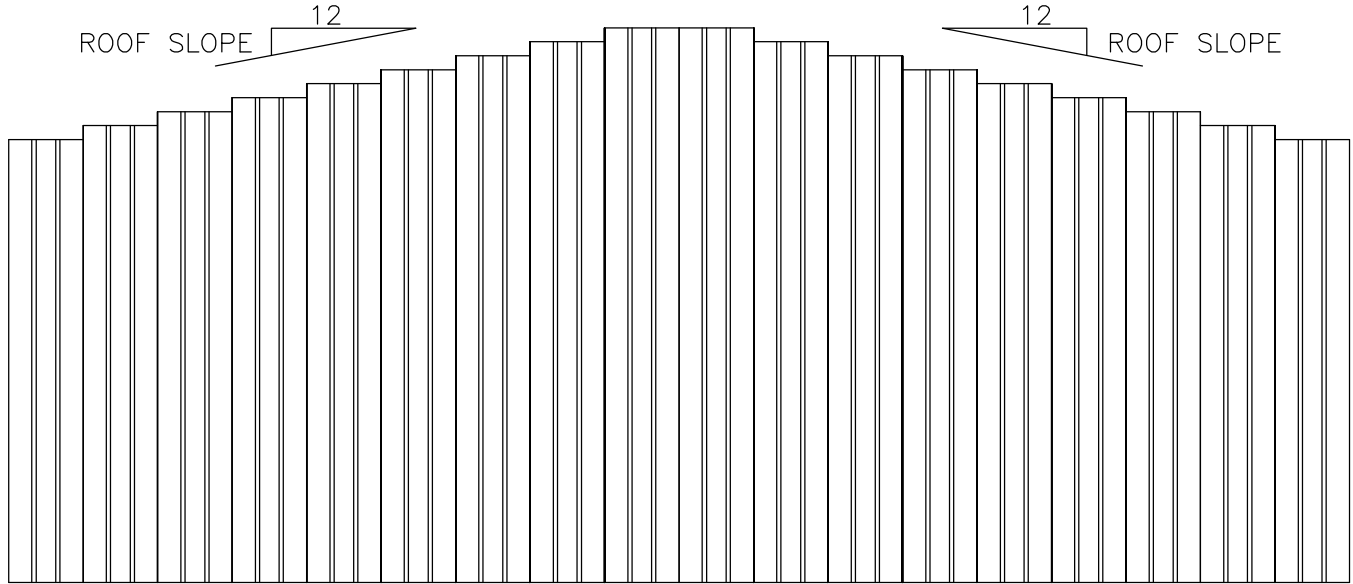
Direction of Wall Panel Erection
Shadow Panel Walls
WC64/AD



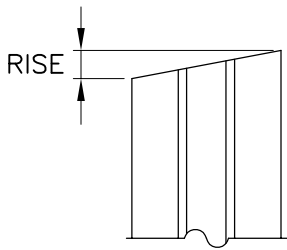
From the building Anchor Bolt Plan or Erection Drawings locate the distance to the centerline of the endframe at the building corner. Ensure that the endframe is plumb. Attach the Shadow Panel clip at the centerline of the endframe as shown above. Hug the clip with female edge of the first panel and attach the male edge of the panel at the structural or girt line as indicated above. Sheeting can be started from either end of the building and continued either in direction of left to right or right to left as indicated. Refer to the panel installation Detail WC12AD before sheeting begins.

[Download the DWG file by clicking here.](#)

Endwall Panel Beveling Detail
Shadow Panel Walls
WC67/AD



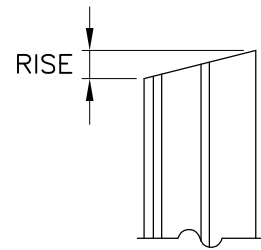
ALL ENDWALL PANELS ARE SHIPPED FROM FACTORY SQUARE CUT. BUILDINGS WITH ROOF SLOPE 1 1/2 TO 12 OR GREATER MUST BE FIELD CUT FOR ROOF SLOPE.



16" PANEL
(LEFT HAND)

ROOF SLOPE	RISE	
	16" PANEL	12" PANEL
1 1/2 to 12	2"	1 1/2"
2 to 12	2 11/16"	2"
2 1/2 to 12	3 5/16"	2 1/2"
3 to 12	4"	3"
4 to 12	5 5/16"	4"

NOTE:
LEFT HAND PANEL BEVELING SHOWN
RIGHT HAND PANEL BEVELING OPPOSITE



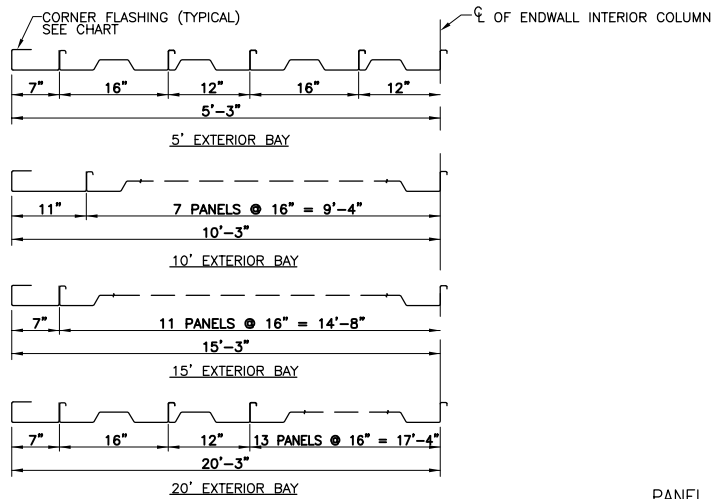
12" PANEL
(LEFT HAND)

ENDWALL PANEL BEVELING DETAIL
SHADOW PANEL WALLS

WC67
AD

[Download the DWG file by clicking here.](#)

Panel Layout for 5', 10', 15' and 20' Exterior Endwall Bays
Shadow Panel Walls
WC71/AD



ENDWALL EXTERIOR BAY SPACING				
ENDWALL OVERHANG	5'-0"	10'-0"	15'-0"	20'-0"
1'-0"	SPCF1	SPCF2	SPCF1	SPCF1
1'-6"	SPCF3	SPCF4	SPCF3	SPCF3
1'-7 1/2"	SPCF5	SPCF6	SPCF5	SPCF5
1'-11 1/2"	SPCF7	SPCF8	SPCF7	SPCF7
2'-1"	SPCF9	SPCF10	SPCF9	SPCF9

PANEL LAYOUT FOR 5', 10', 15' AND 20' EXTERIOR ENDWALL BAYS. WC71
SHADOW PANEL WALLS AD

[Download the DWG file by clicking here.](#)

[To Section Index](#)

Erection Notes
Shadow Panels
WC91/AD

ERECTION NOTES:

1. ALL AREAS WHERE MASTIC IS TO BE APPLIED SHOULD BE WIPED CLEAN WITH A MILD DETERGENT OR AN ALL PURPOSE CLEANER BEFORE MASTIC APPLICATION. THIS WILL INSURE A GOOD SEALING SURFACE AND IMPROVE WEATHER TIGHTNESS.
2. THE BLANKET INSULATION MANUFACTURER RECOMMENDS THAT DOUBLE SIDED TAPE BE USED TO SECURE THE INSULATION TO THE EAVE. THE METAL BUILDING SUPPLIER IS NOT RESPONSIBLE FOR THE INSTALLATION OR ATTACHMENT OF THE INSULATION.
3. OIL CANNING MAY BE INDUCED IF PANEL IS PUSHED OR FORCED TO ONE SIDE OR IF GIRT IS NOT IN ALIGNMENT WITH BASE ANGLE AND EAVE STRUT.
4. WHEN FIELD CUTTING PANELS OR TRIM DO NOT USE ABRASIVE SAWS OR OTHER CUTTING METHODS WHICH PRODUCE HOT METAL PARTICLES OR BURN THE CUT EDGES. THESE METHODS WILL DAMAGE THE PAINTED AND GALVALUME FINISH AND VOID ANY WARRANTIES. USE DOUBLE CUT SHEARS, NIBBLERS OR OTHER CUTTING DEVICES WHICH DO NOT PRODUCE HOT METAL PARTICLES OR BURNED EDGES.

ERECTION NOTES
SHADOW PANEL

WC91
AD

[Download the DWG file by clicking here.](#)

[To Section Index](#)