

Product Manual - Sidelights

SK61/AB - Sidelight at Eave

SK61/AC - Sidelight at Eave

SK61/AV - Sidelight at Eave

SK62/AB - Sidelight Between Intermediate Girts

SK62/AC - Sidelight Between Intermediate Girts

SK62/AV - Sidelight Between Intermediate Girts

SK66/AB - Sidelight Connection at Sidelap

SK66/AC - Sidelight Connection at Sidelap

SK66/AV - Sidelight Connection at Sidelap



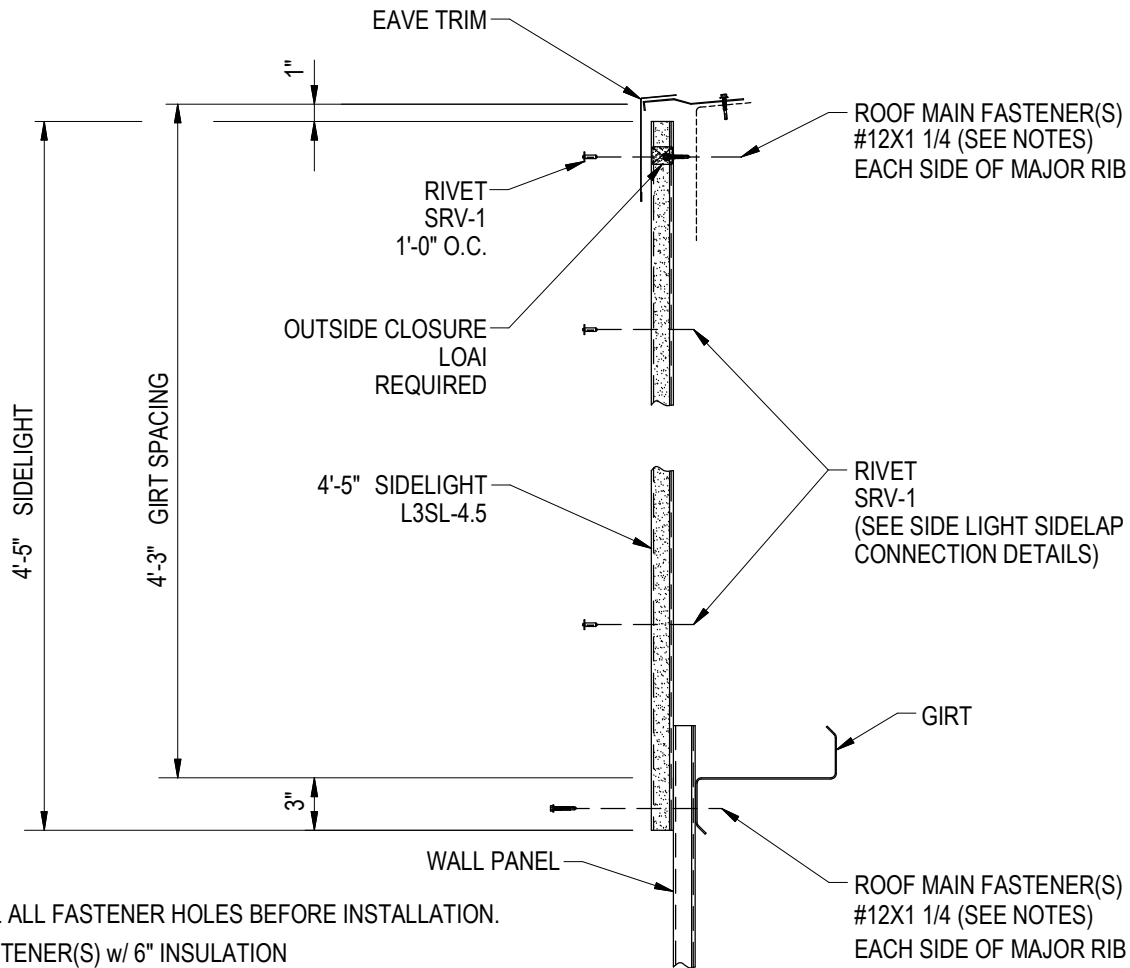
AMERICAN BUILDINGS

A NUCOR COMPANY

PRODUCT MANUAL

SIDELIGHTS

Sidelight at Eave
Long Span III Sidelights / Long Span III Walls
SK61/AB



SIDELIGHT AT EAVE

LONG SPAN III SIDELIGHTS / LONG SPAN III WALLS

SK61
AB

[Download the DWG file by clicking here.](#)

[To Section Index](#)



AMERICAN BUILDINGS

A NUCOR COMPANY

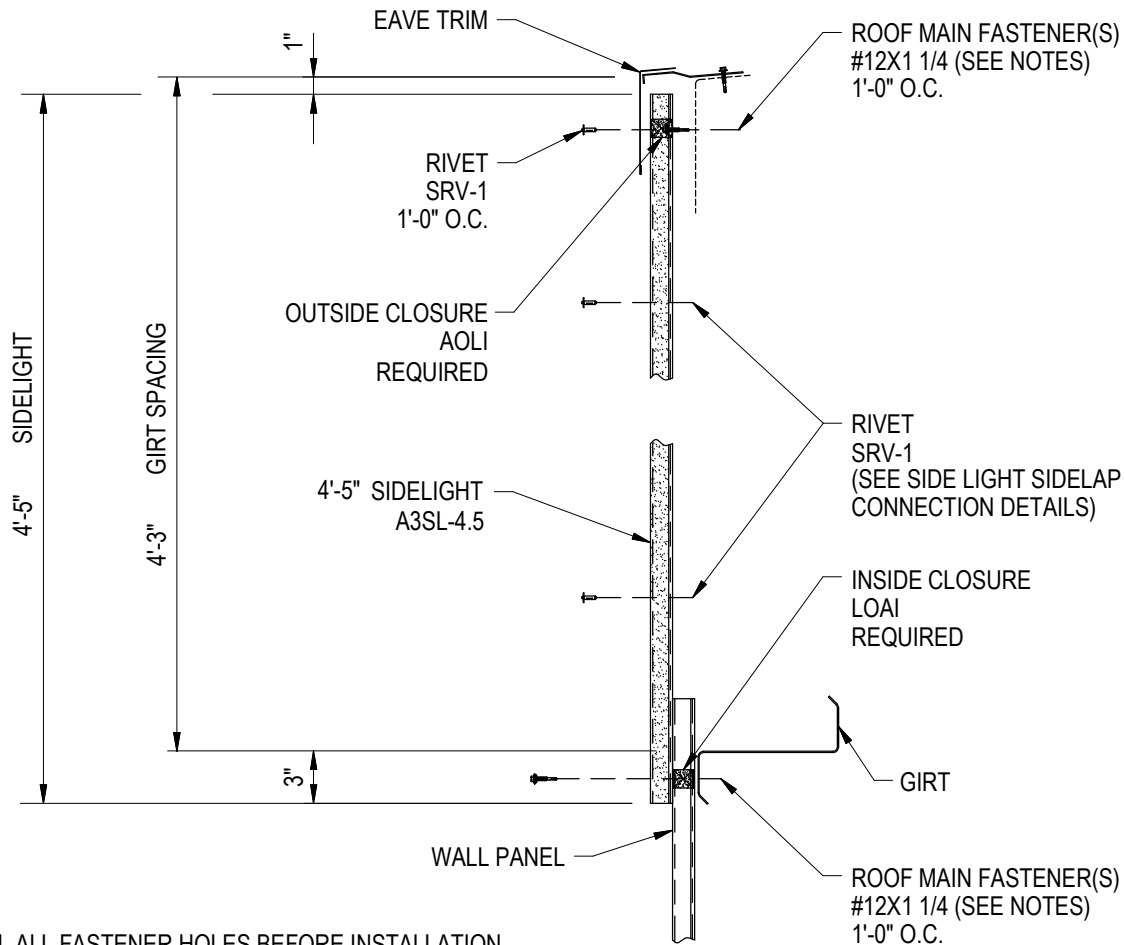
PRODUCT MANUAL

SIDELIGHTS

Sidelight at Eave

Architectural III Sidelights / Architectural III Walls

SK61/AC



NOTES:

PRE-DRILL ALL FASTENER HOLES BEFORE INSTALLATION.

#12X2 FASTENER(S) w/ 6" INSULATION

#12 FASTENER COLOR, REGAL WHITE-RW

SIDELIGHT AT EAVE

ARCHITECTURAL III SIDELIGHTS / ARCHITECTURAL III WALLS

SK61

AC

[Download the DWG file by clicking here.](#)

[To Section Index](#)



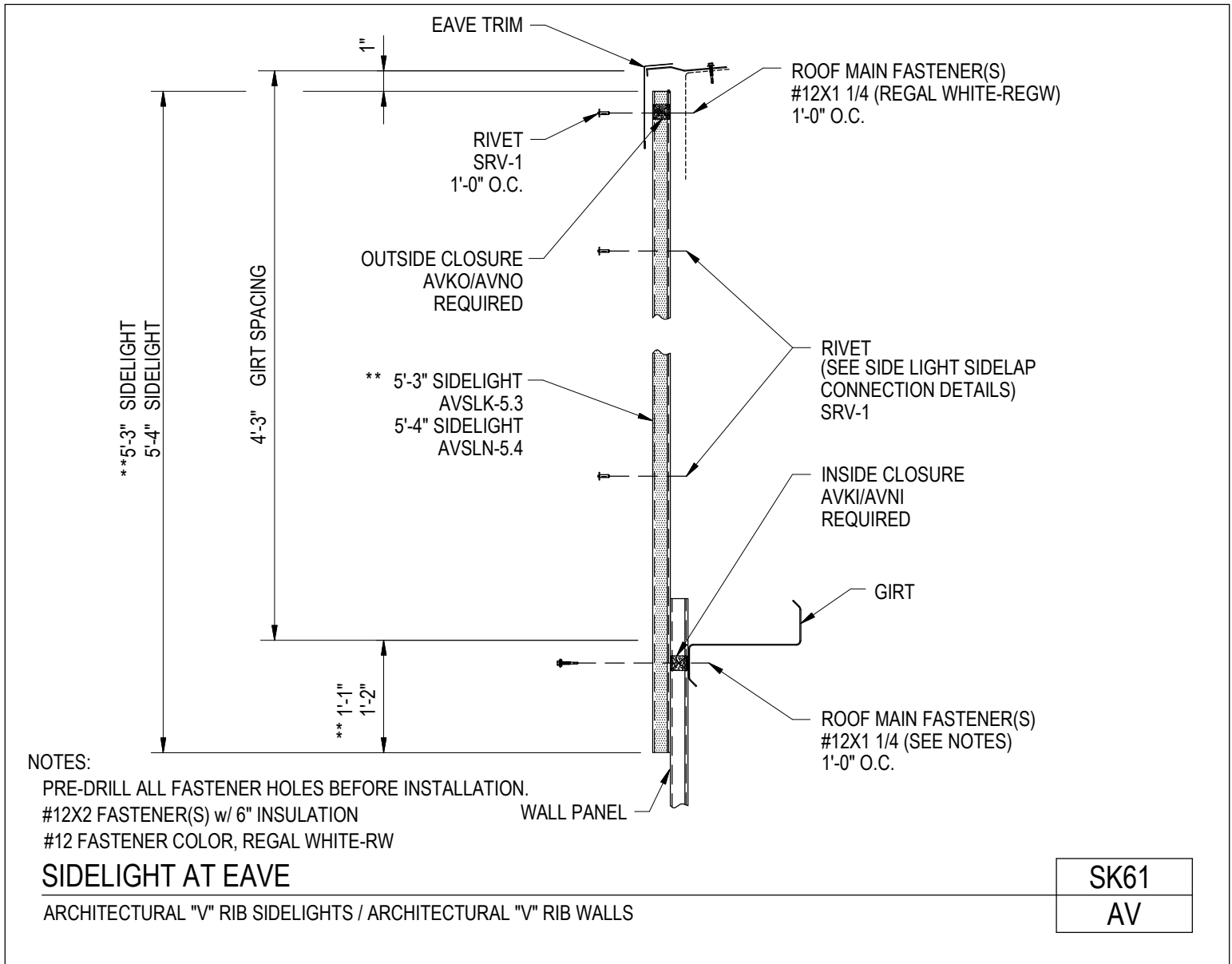
AMERICAN BUILDINGS

A NUCOR COMPANY

PRODUCT MANUAL

SIDELIGHTS

Sidelight at Eave
Architectural "V" Rib Sidelights / Architectural "V" Rib Walls
SK61/AV



[Download the DWG file by clicking here.](#)

[To Section Index](#)



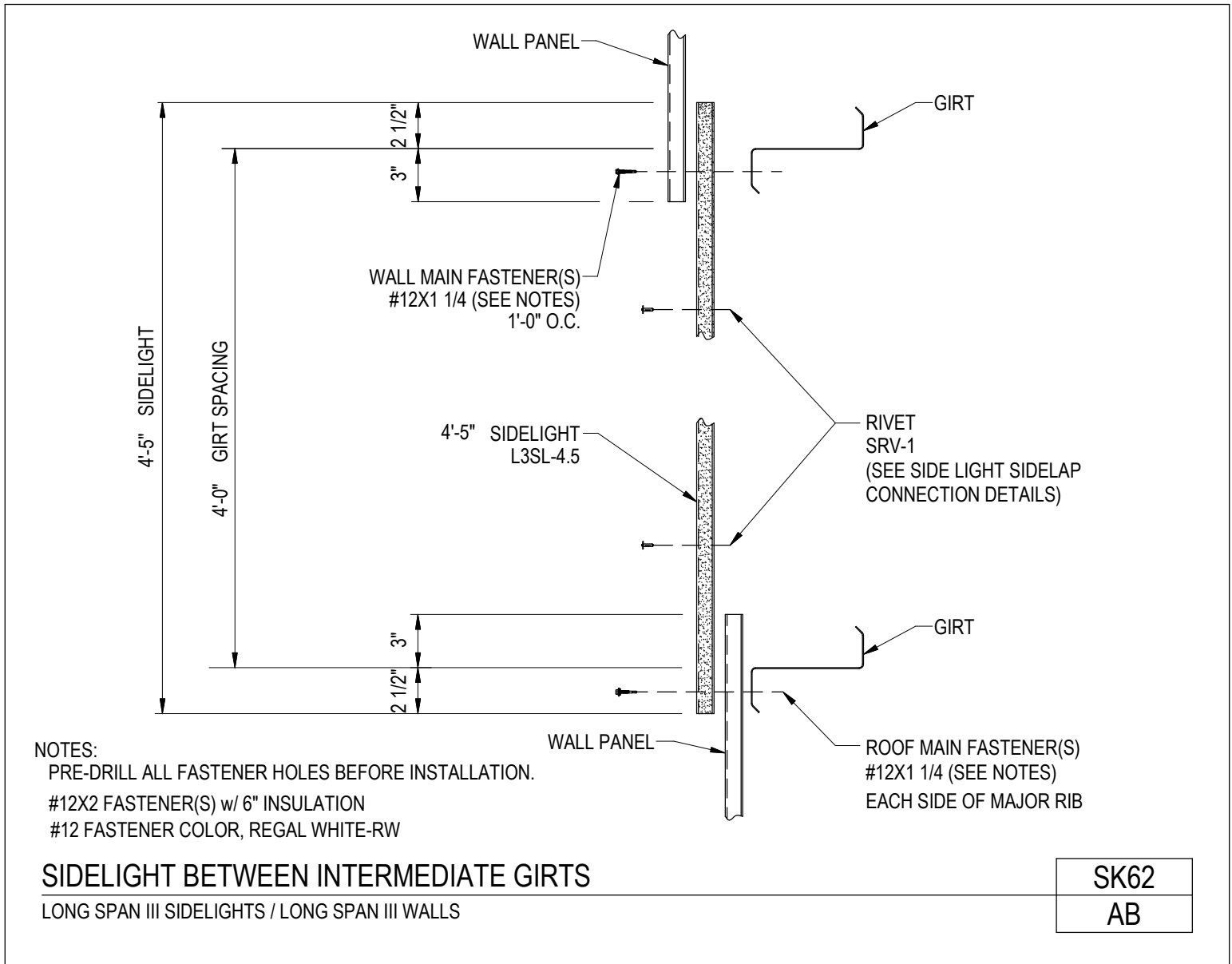
AMERICAN BUILDINGS

A NUCOR COMPANY

PRODUCT MANUAL

SIDELIGHTS

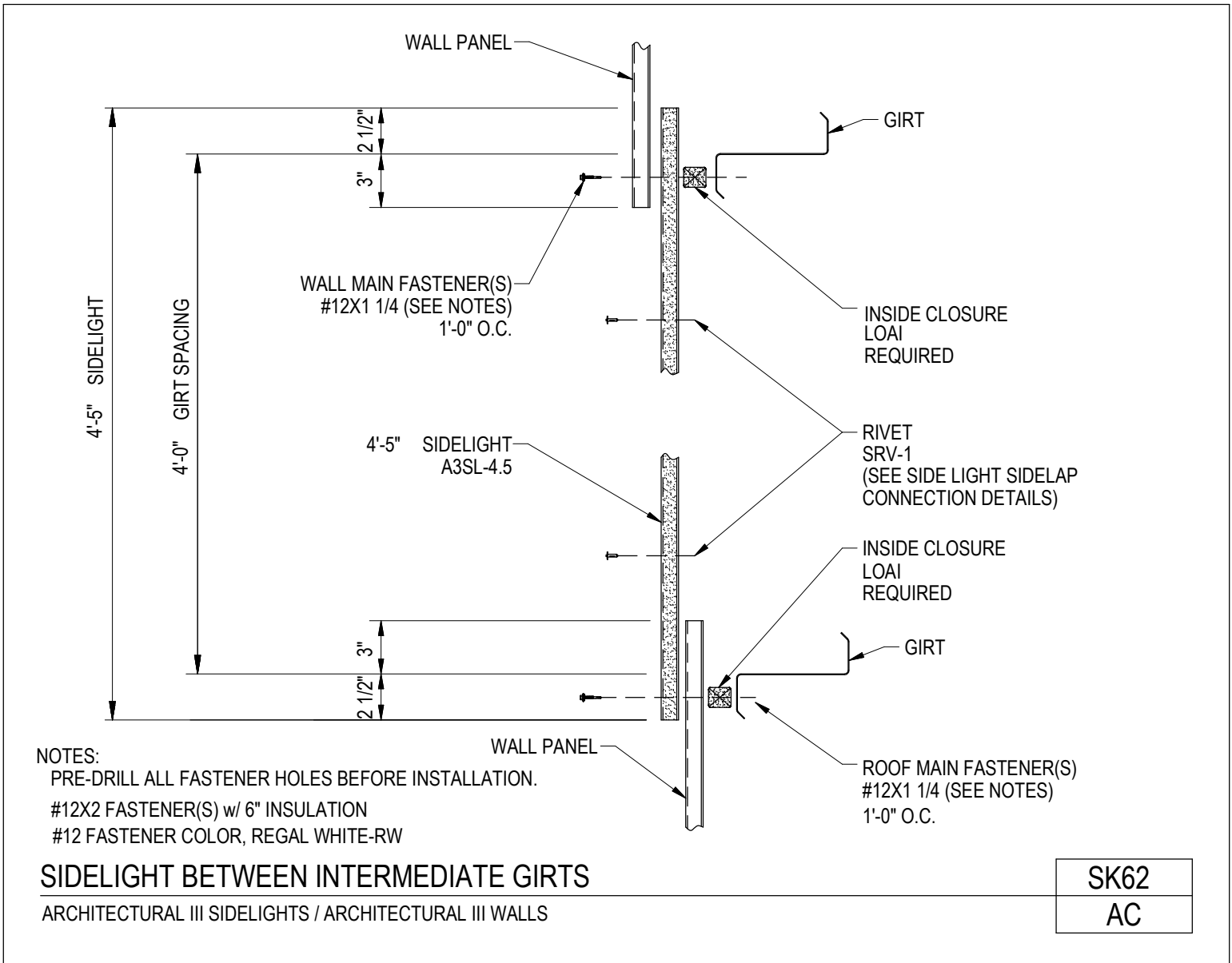
Sidelight Between Intermediate Girts
Long Span III Sidelights / Long Span III Walls
SK62/AB



[Download the DWG file by clicking here.](#)

[To Section Index](#)

Sidelight Between Intermediate Girts
Architectural III Sidelights / Architectural III Walls
SK62/AC



[Download the DWG file by clicking here.](#)

[To Section Index](#)



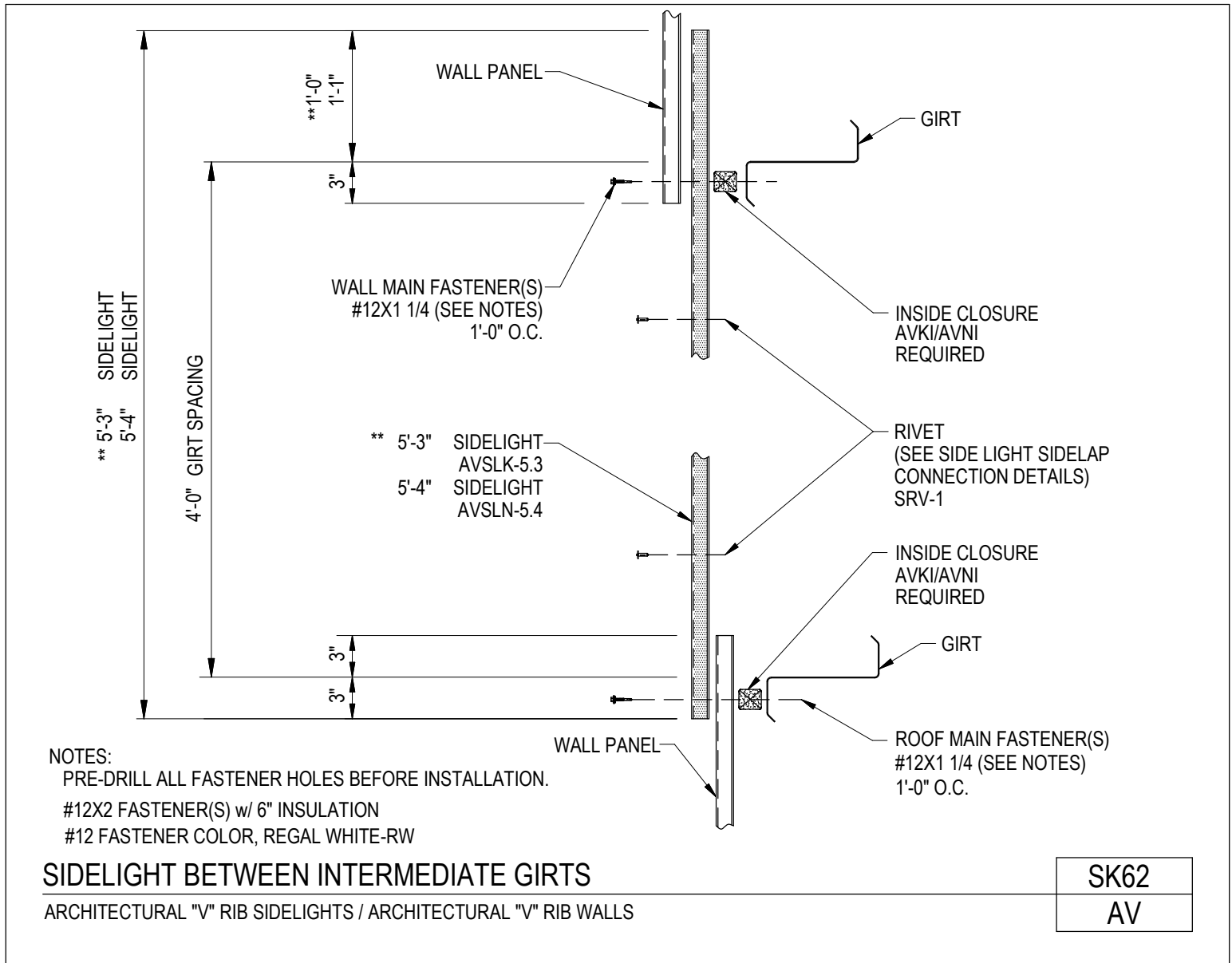
AMERICAN BUILDINGS

A **NUCOR** COMPANY

PRODUCT MANUAL

SIDELIGHTS

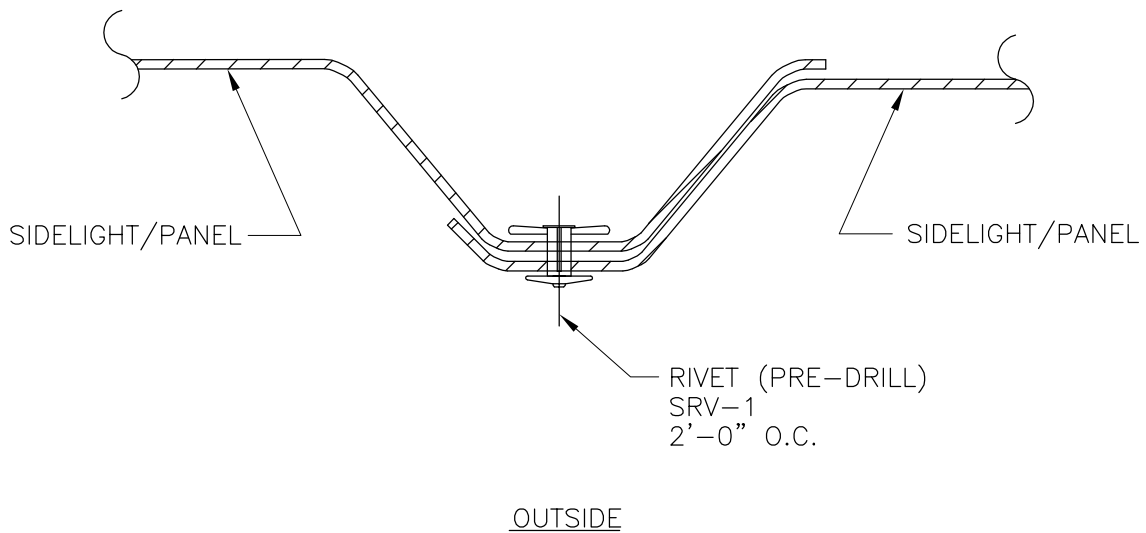
Sidelight Between Intermediate Girts
 Architectural "V" Rib Sidelights / Architectural "V" Rib Walls
 SK62/AV



[Download the DWG file by clicking here.](#)

[To Section Index](#)

Sidelight Connection at Sidelap
Long Span III Walls
SK66/AB



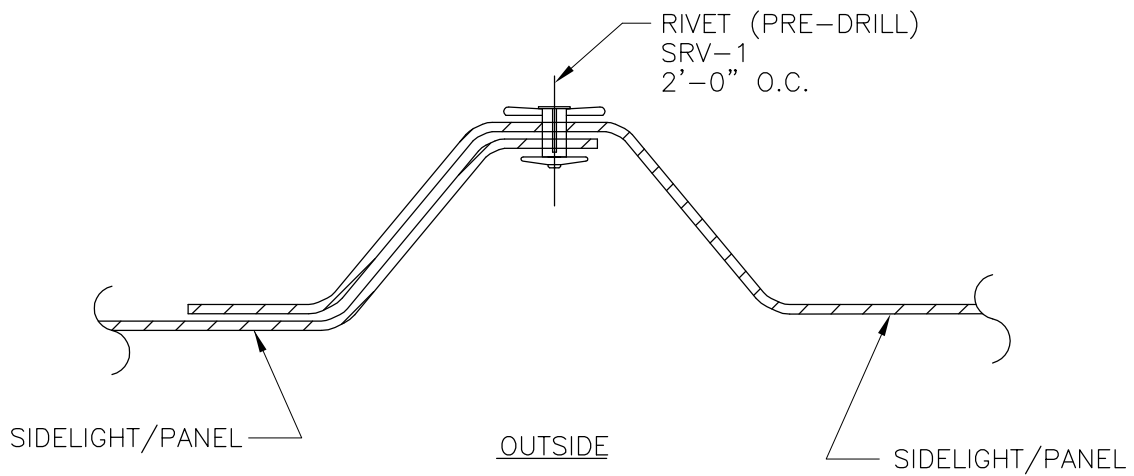
SIDELIGHT CONNECTION AT SIDELAP
LONG SPAN III WALLS

SK66
AB

[Download the DWG file by clicking here.](#)

[To Section Index](#)

Sidelight Connection at Sidelap
Architectural III Walls
SK66/AC



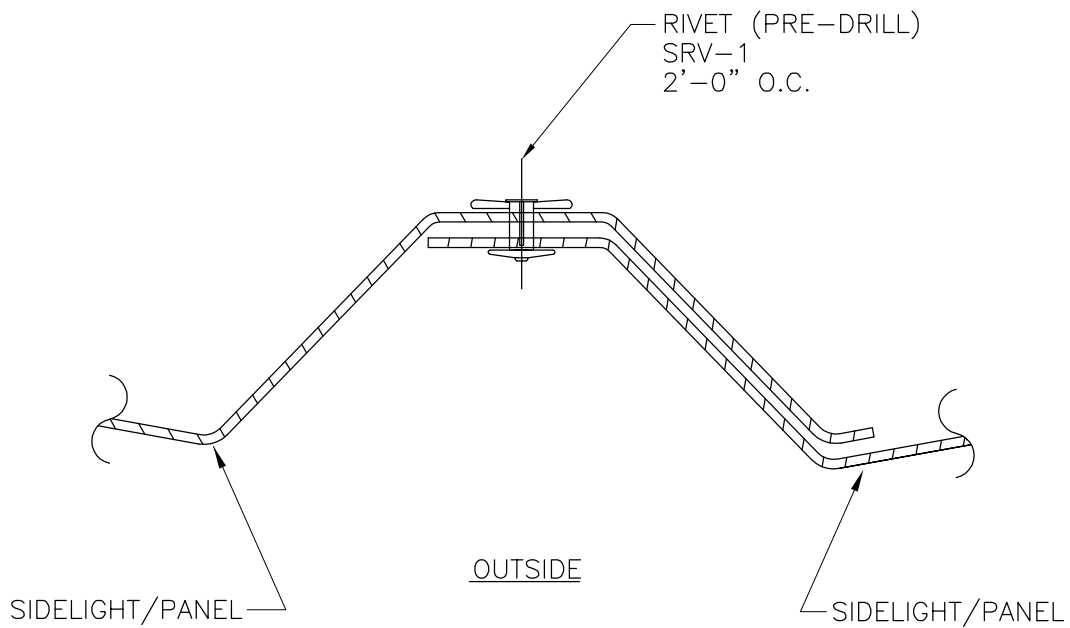
SIDELIGHT CONNECTION AT SIDELAP
ARCHITECTURAL III WALLS

SK66
AC

[Download the DWG file by clicking here.](#)

[To Section Index](#)

Sidelight Connection at Sidelap
Architectural "V" Rib Walls
SK66/AV



SIDELIGHT CONNECTION AT SIDELAP
ARCHITECTURAL "V" RIB PANEL

SK66
AV

[Download the DWG file by clicking here.](#)

[To Section Index](#)