

Product Manual - Standing Seam 360 - Roof Covering

RC01/TA, Detail at Sidelap

RC02A/TA, Reinforced Panel Clip Attachment

RC02/TA, Reinforced Panel Clip Attachment

RC05/TA, Detail at Finished Seam

RC15TA, Substitute Detail for the S3PC-5T (Super Tall) Panel Clip

RC17A/TA, Clip Attachment to Purlins (14 Ga. or Less)

RC17B/TA, Typical Perimeter Clip Attachment to Purlin

RC17/TA, Typical Attachment to Purlin

RC18/TA, Panel Clip Installation

RC36/TA, Standing Seam 360 Panel Seaming Detail

RC38/TA, Panel Seaming Process

RC61/TA, Basic Parts and Pieces

RC62/TA, Standing Seam 360 Erection Tools

RC63/TA, Panel Marking and Notching

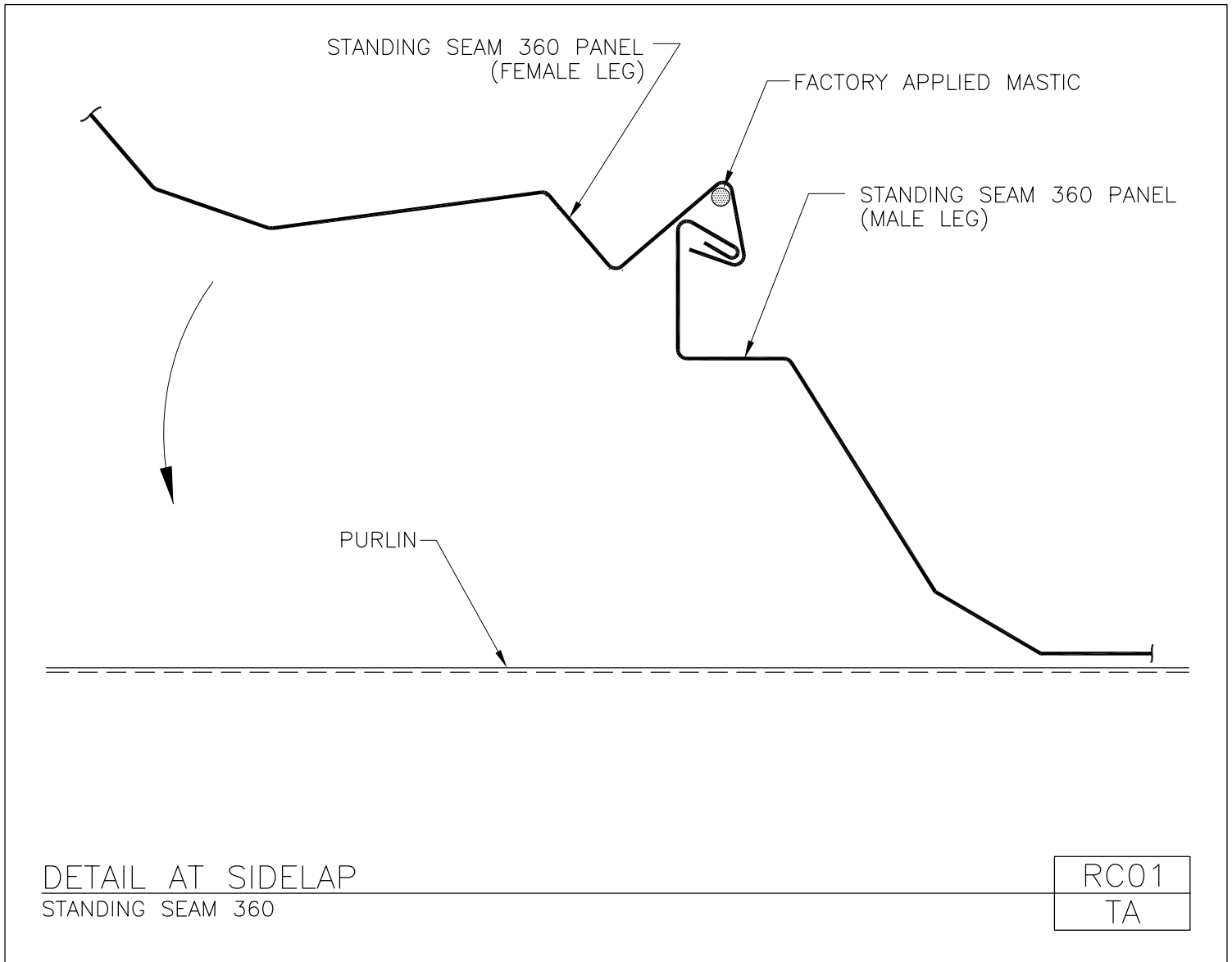
RC64/TA, Direction of Roof Panel Erection

RC66/TA, Clamping Detail at Endlap

RC68A/TA, Standing Seam 360 Panel Hand Seamer Tool

RD11A/TA, Standing Seam 360 Duckbill Vise Grips

Detail at Sidelap
Standing Seam 360
RC01/TA



[Download the DWG file by clicking here.](#)

[To Section Index](#)



**AMERICAN
BUILDINGS**

A **NUCOR** COMPANY

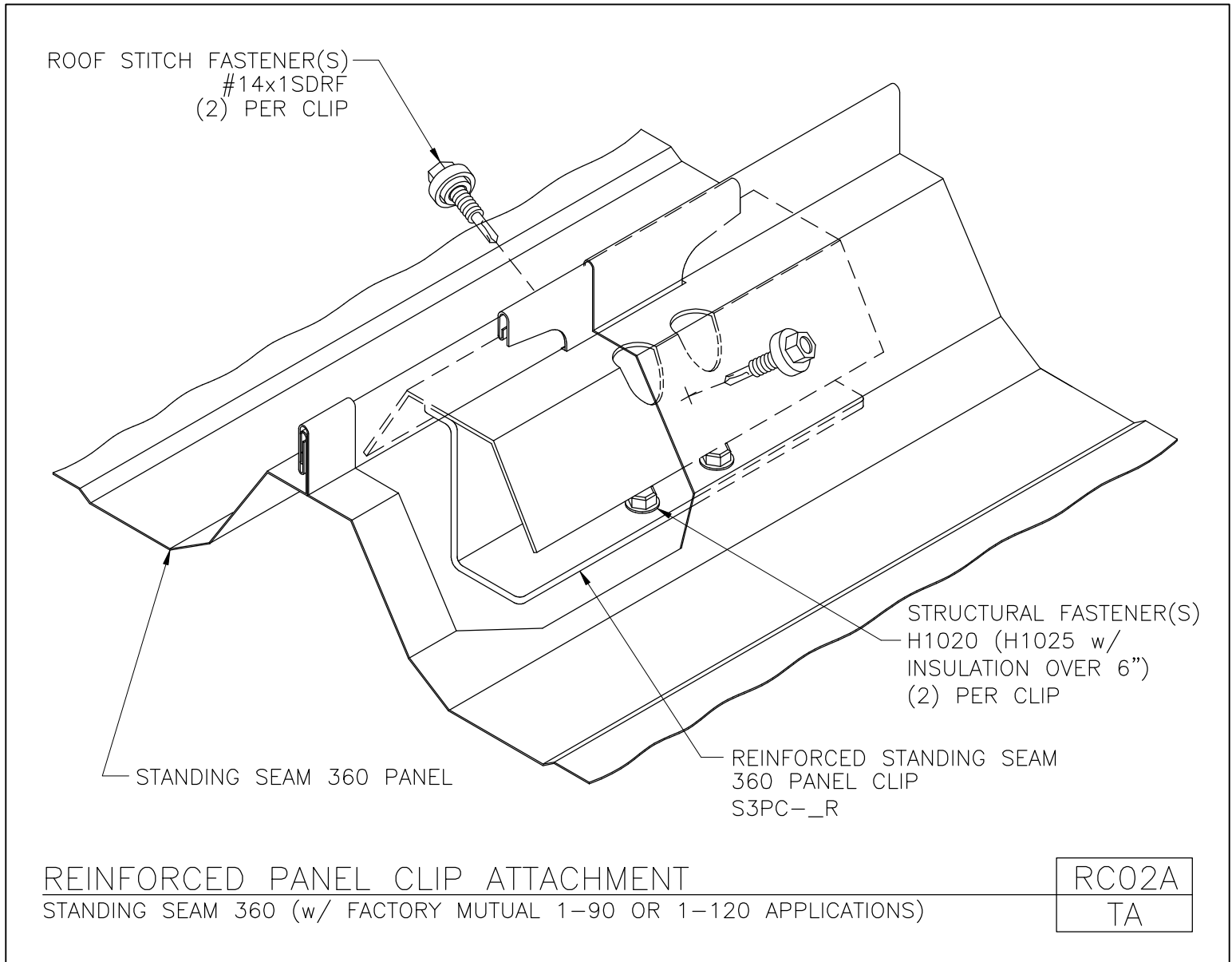
PRODUCT MANUAL

STANDING SEAM ROOF PANEL

Reinforced Panel Clip Attachment

Standing Seam 360 (w/ Factory Mutual 1-90 or 1-120 Applications)

RC02A/TA



[Download the DWG file by clicking here.](#)

[To Section Index](#)



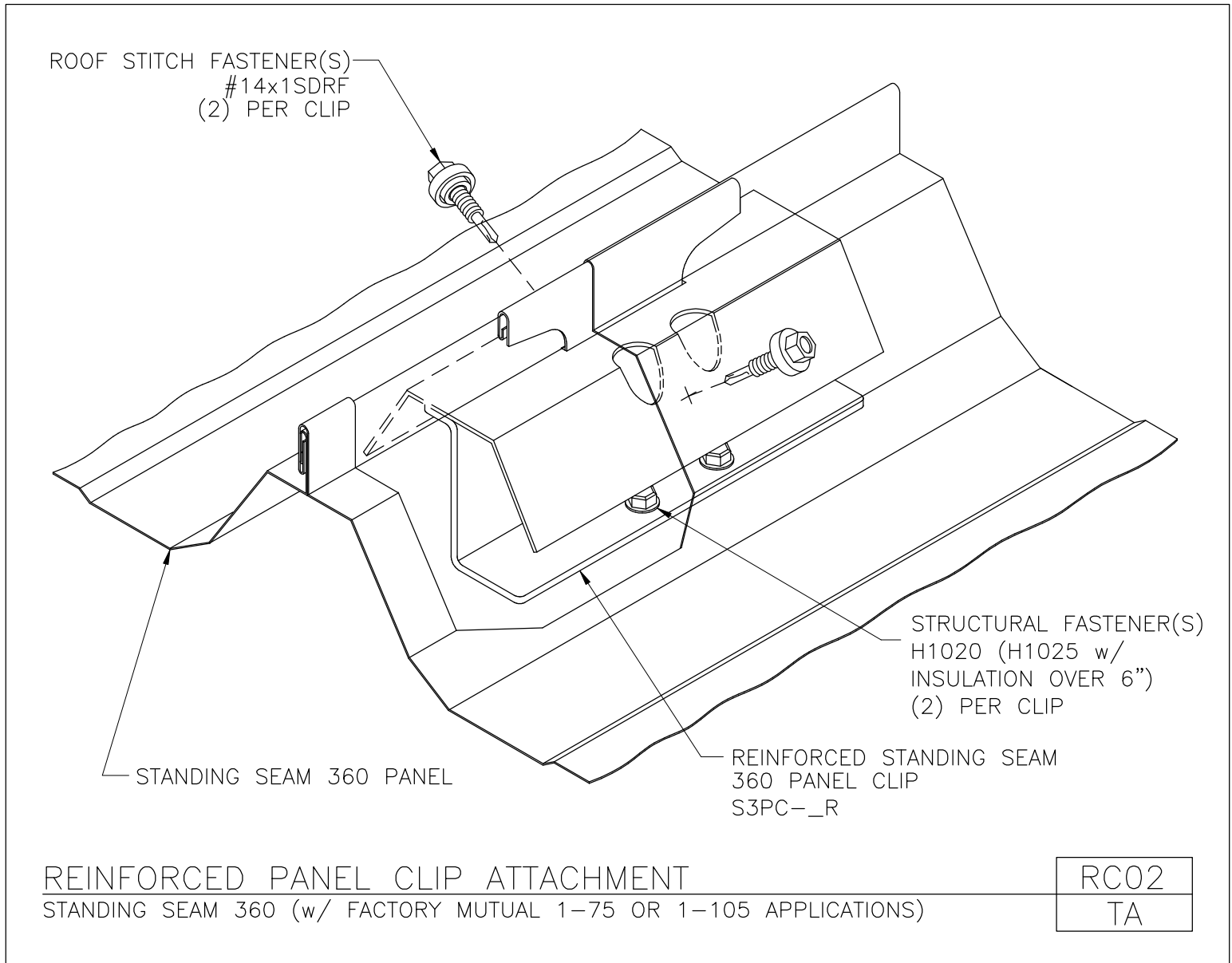
**AMERICAN
BUILDINGS**

A **NUCOR** COMPANY

PRODUCT MANUAL

STANDING SEAM ROOF PANEL

Reinforced Panel Clip Attachment
Standing Seam 360 (w/ Factory Mutual 1-75 or 1-105 Applications)
RC02/TA

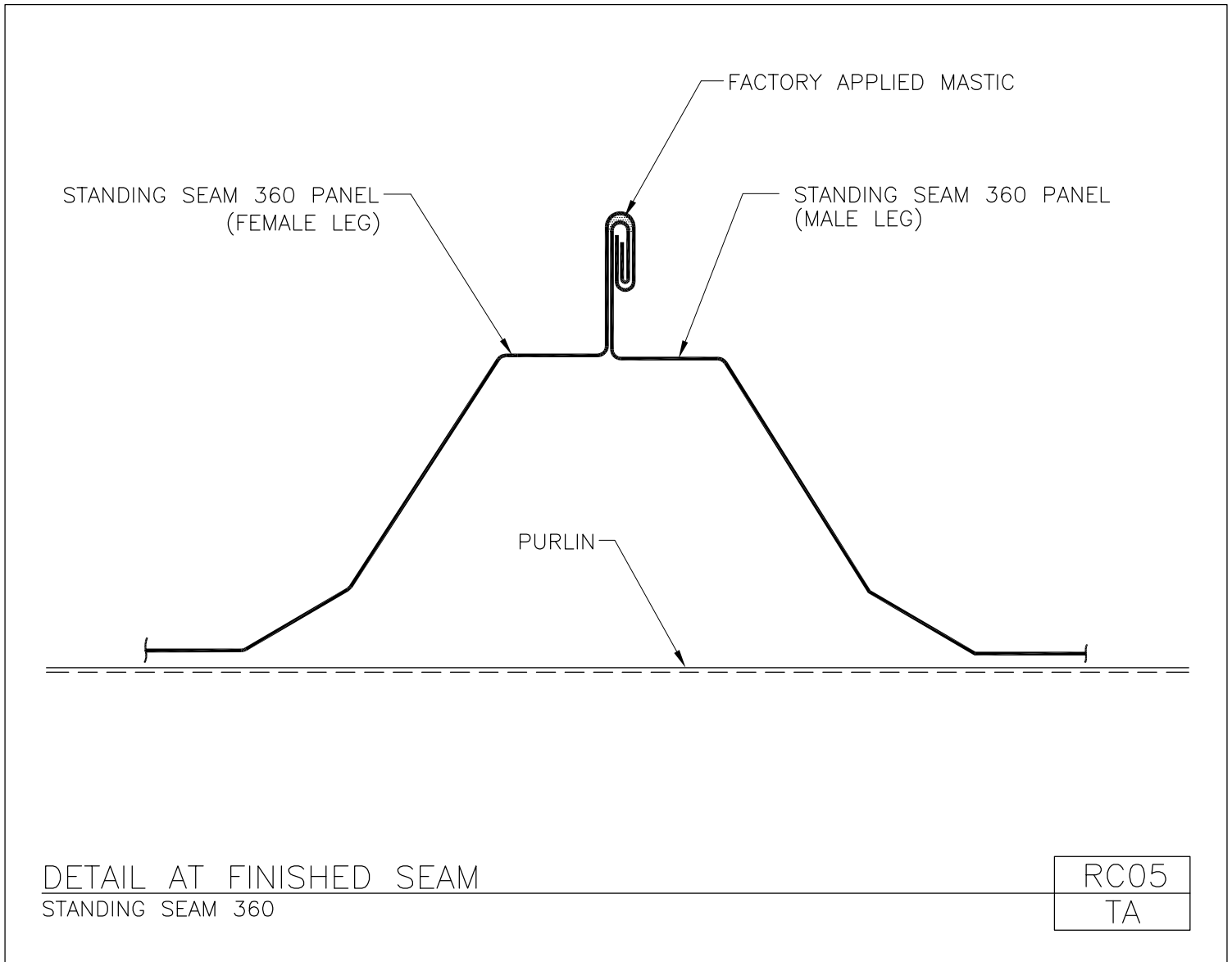


[Download the DWG file by clicking here.](#)

[To Section Index](#)

Revised: 03.31.21 (MR2021.04)

Detail at Finished Seam
Standing Seam 360
RC05/TA



[Download the DWG file by clicking here.](#)

[To Section Index](#)



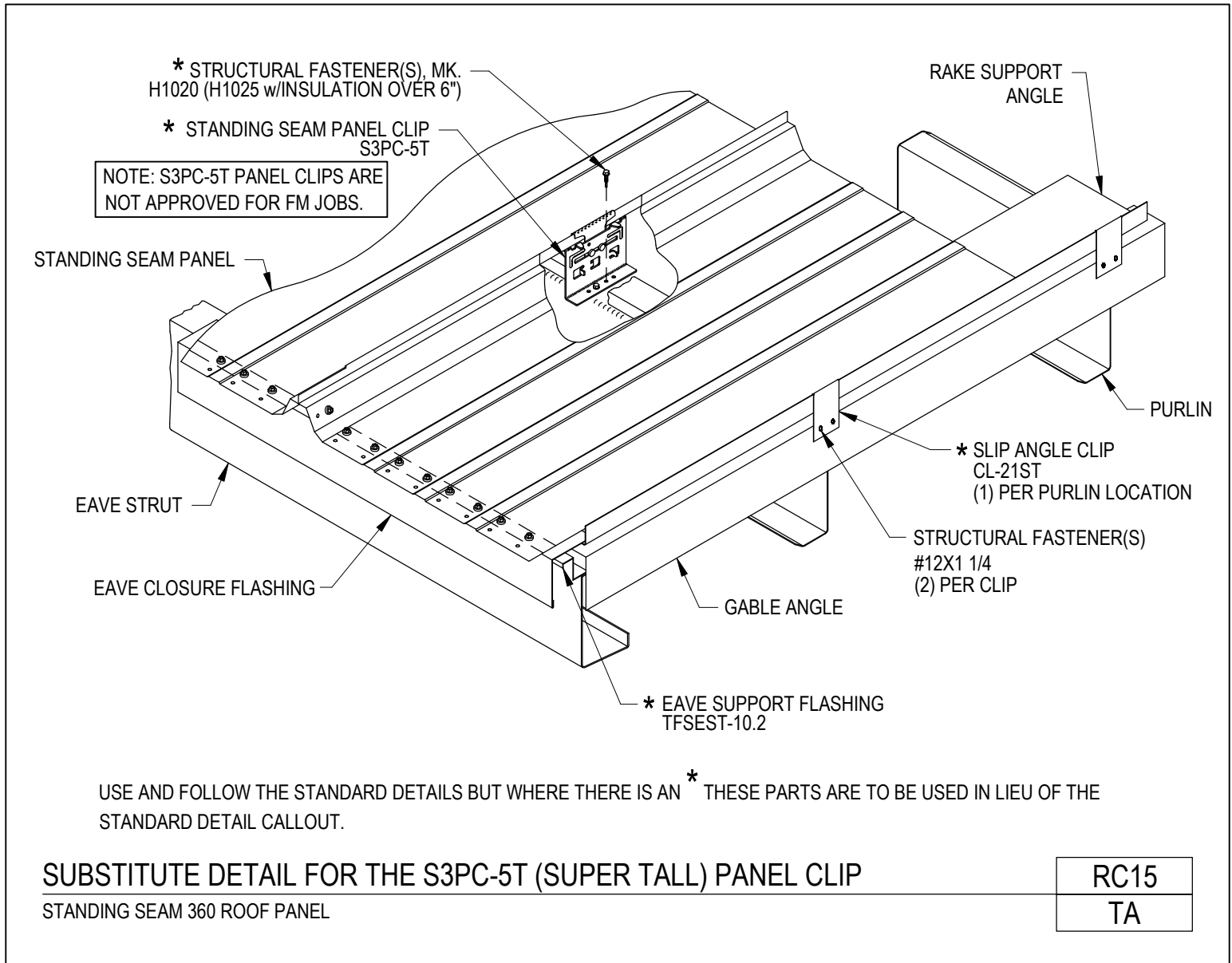
AMERICAN BUILDINGS

A NUCOR COMPANY

PRODUCT MANUAL

STANDING SEAM ROOF PANEL

Substitute Detail for the S3PC-5T (Super Tall) Panel Clip
Standing Seam 360 Roof Panel
RC15TA



[Download the DWG file by clicking here.](#)

[To Section Index](#)



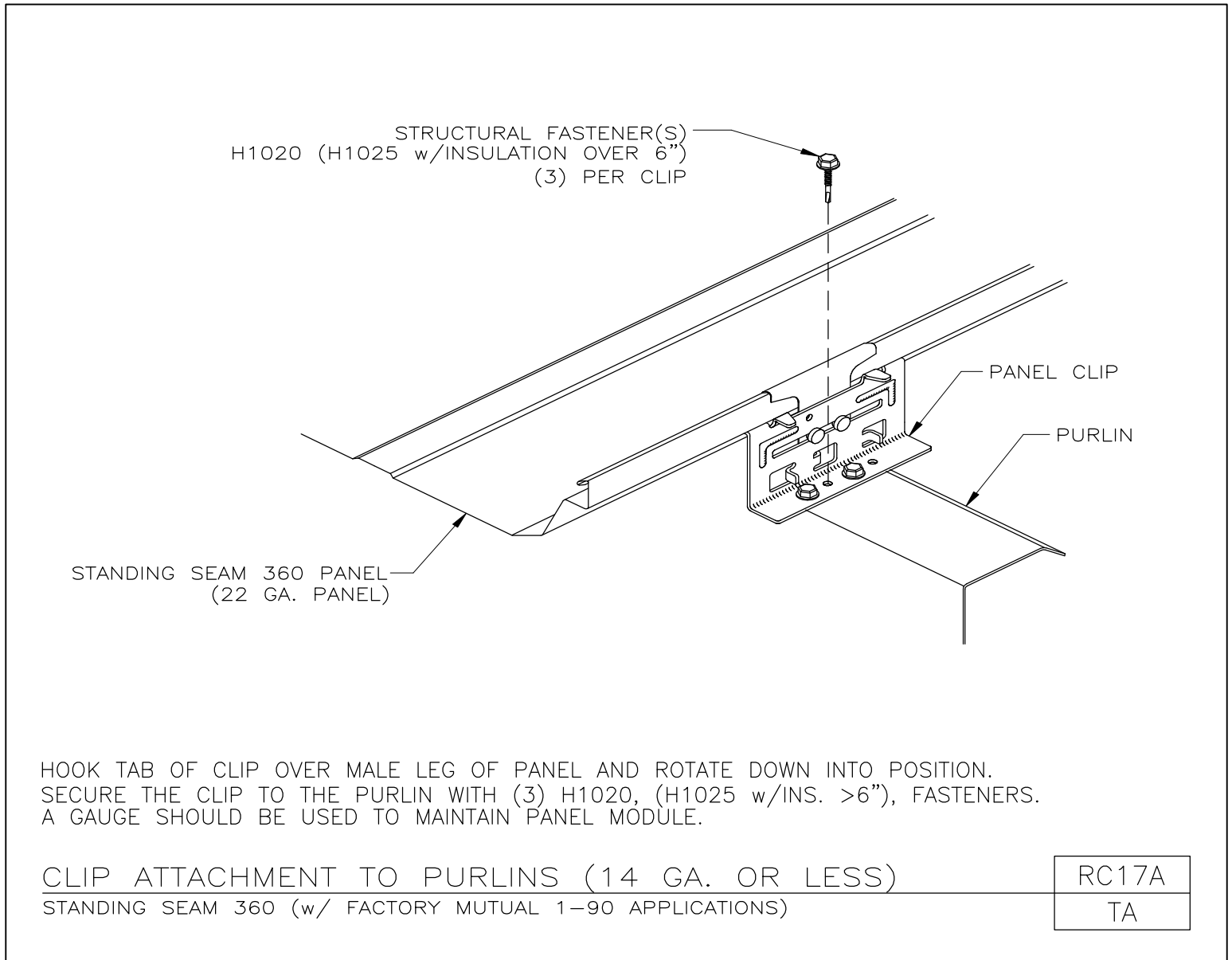
**AMERICAN
BUILDINGS**

A **NUCOR** COMPANY

PRODUCT MANUAL

STANDING SEAM ROOF PANEL

Clip Attachment to Purlins (14 Ga. or Less)
Standing Seam 360 (w/ Factory Mutual 1-90 Applications)
RC17A/TA



[Download the DWG file by clicking here.](#)

[To Section Index](#)

Revised: 03.05.21 (MR2021.03)



**AMERICAN
BUILDINGS**

A **NUCOR** COMPANY

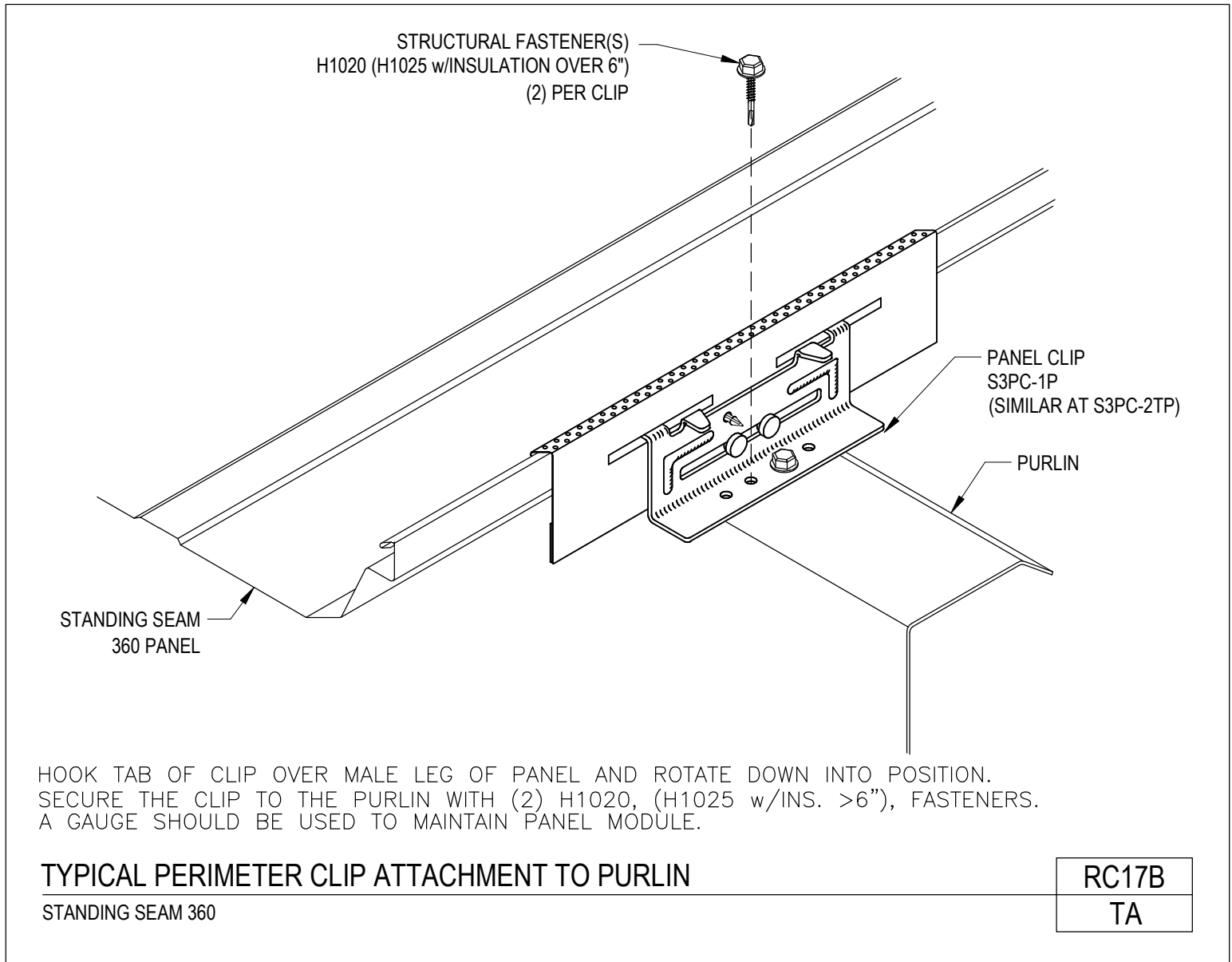
PRODUCT MANUAL

STANDING SEAM ROOF PANEL

Typical Perimeter Clip Attachment to Purlin

Standing Seam 360

RC17B/TA



[Download a DWG file by clicking on the drawing above](#)

[To Section Index](#)



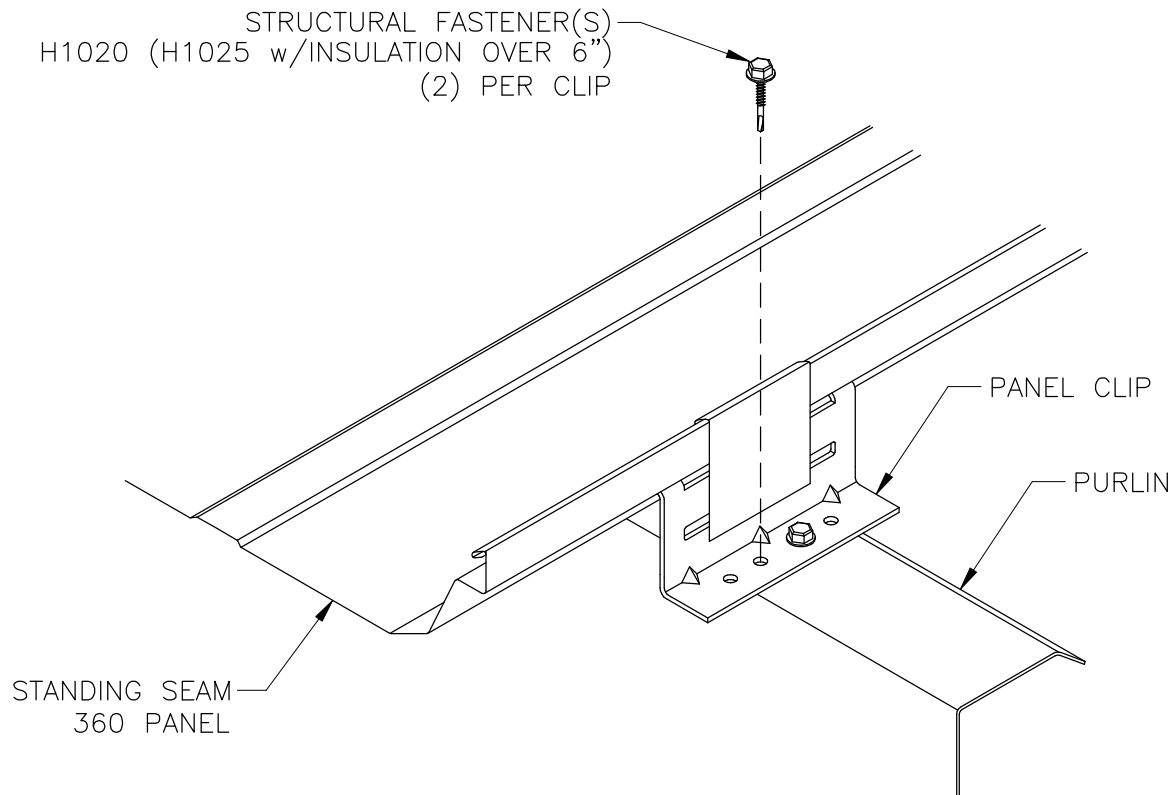
**AMERICAN
BUILDINGS**

A **NUCOR** COMPANY

PRODUCT MANUAL

STANDING SEAM ROOF PANEL

Typical Attachment to Purlin
Standing Seam 360
RC17/TA



HOOK TAB OF CLIP OVER MALE LEG OF PANEL AND ROTATE DOWN INTO POSITION.
SECURE THE CLIP TO THE PURLIN WITH (2) H1020, (H1025 w/INS. >6''), FASTENERS.
A GAUGE SHOULD BE USED TO MAINTAIN PANEL MODULE.

TYPICAL CLIP ATTACHMENT TO PURLIN
STANDING SEAM 360

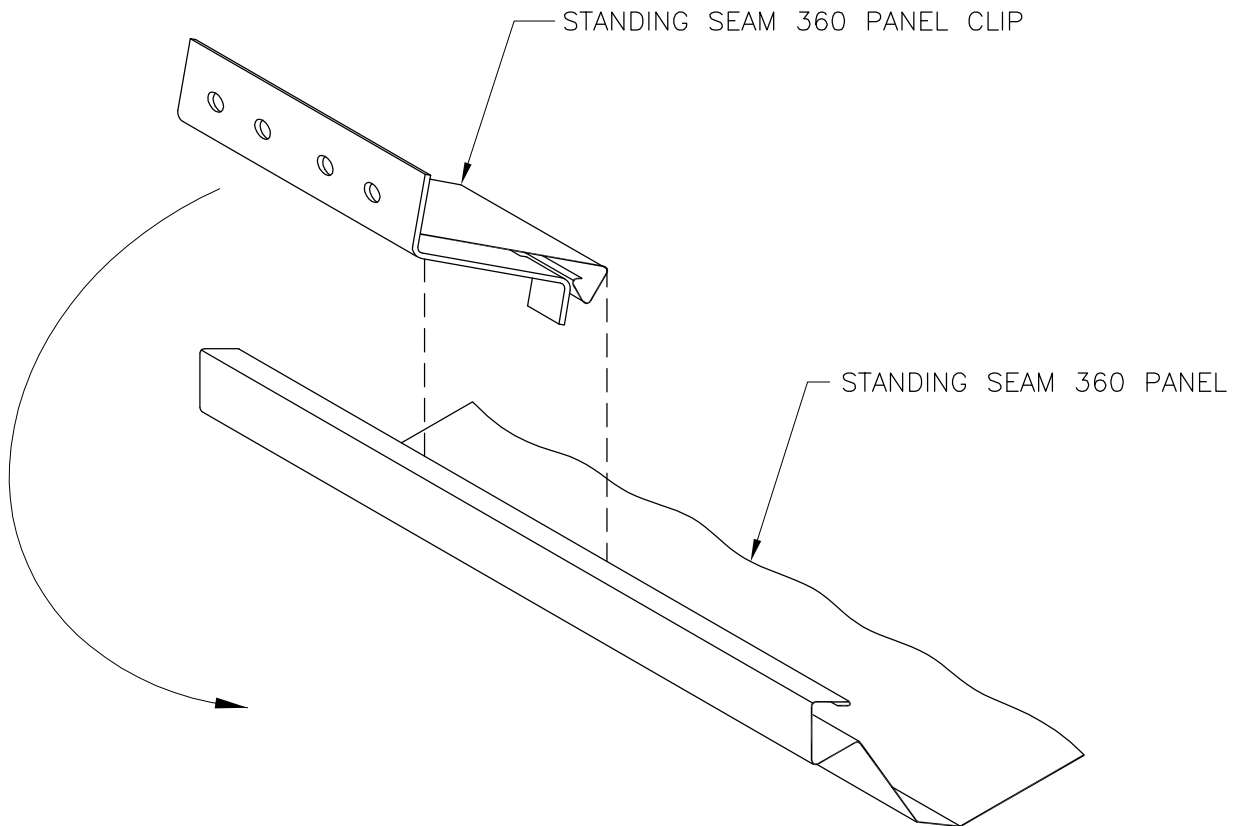
RC17
TA

[Download the DWG file by clicking here.](#)

[To Section Index](#)

Revised: 03.05.21 (MR2021.03)

Panel Clip Installation
Standing Seam 360 Panel
RC18/TA



INSTALL CLIP MAKING CERTAIN THE SLIDING TAB IS CENTERED BEFORE ATTACHING CLIP TO THE PURLIN.

PANEL CLIP INSTALLATION
STANDING SEAM 360 PANEL

RC18
TA

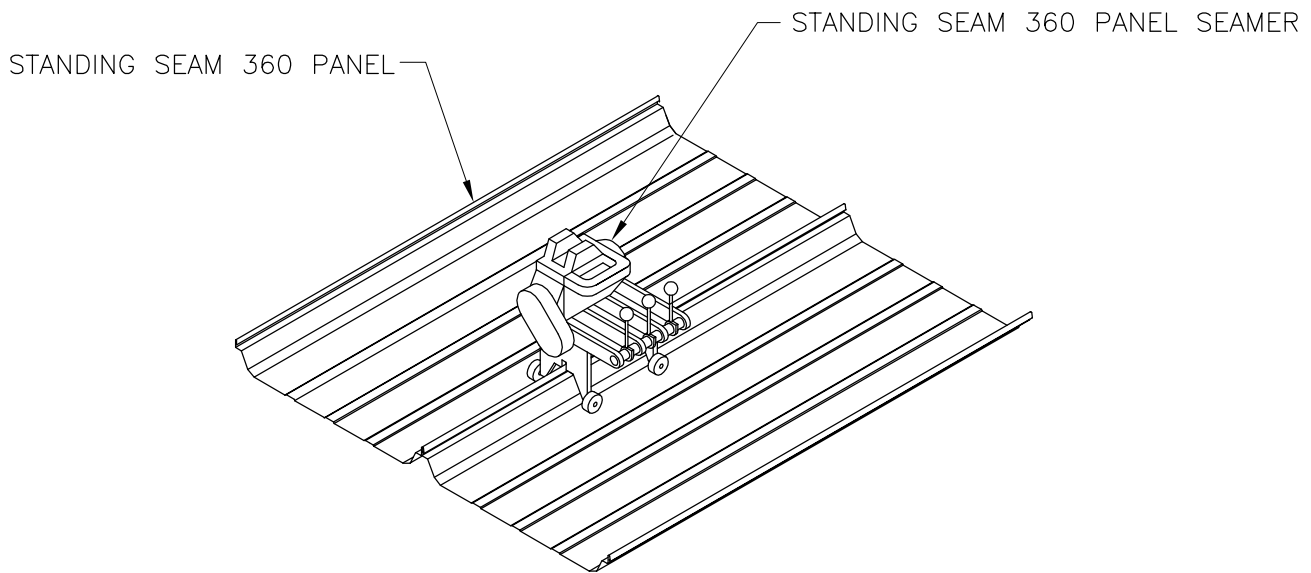
[Download the DWG file by clicking here.](#)

[To Section Index](#)

Standing Seam 360 Panel Seaming Detail

RC36/TA

SAFETY PRECAUTION:
USE EXTREME CAUTION WHEN WORKING AT THE EAVE OF ROOF



In preparation of the seaming operation, all construction debris should be removed from the roof to prevent machine damage and/or roof damage.

Refer to the owner's manual included with the Standing Seam 360 panel seamer for safe and practical seaming operations.

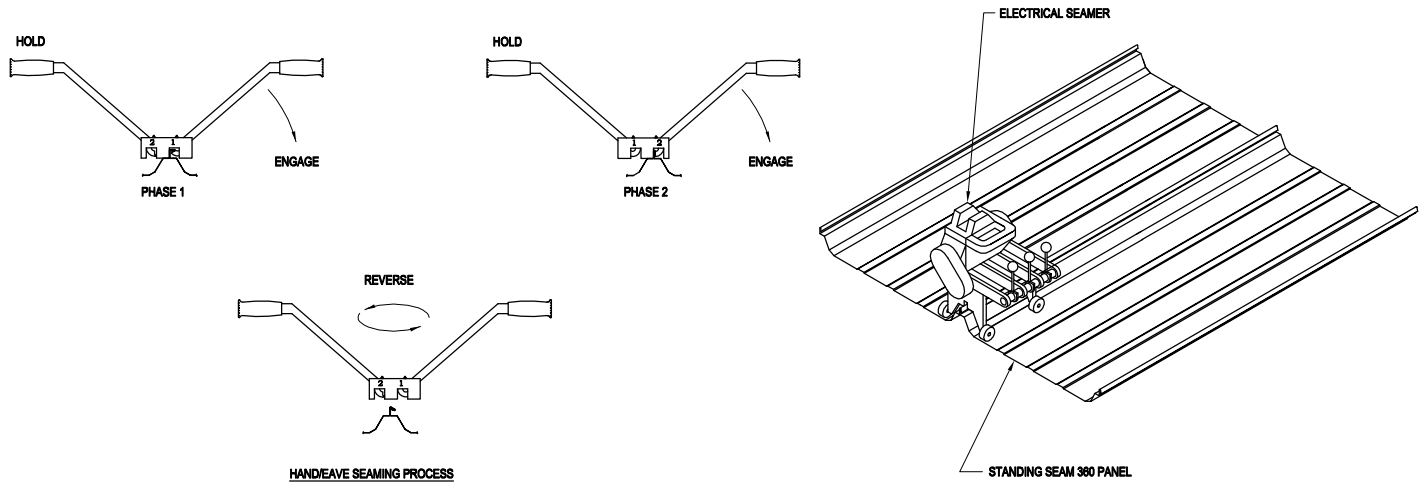
STANDING SEAM 360 PANEL SEAMING DETAIL

RC36
TA

[Download the DWG file by clicking here.](#)

[To Section Index](#)

Panel Seaming Process
Standing Seam 360
RC38/TA



THE METAL BUILDING SUPPLIER FURNISHES THE STANDING SEAM 360 ROOF SYSTEM IN NON-HANDED PANELS. GABLE, SINGLE SLOPE OR UNSYMMETRICAL BUILDINGS CAN BE SHEETED SIMULTANEOUSLY FROM EITHER END OF THE BUILDING.

THE SEAMING PROCESS INVOLVES TWO DIFFERENT TOOLS, THE STANDING SEAM 360 ELECTRIC ROOF SEAMER AND THE HAND/LEAVE SEAMER. THE STANDING SEAM 360 HAND/LEAVE SEAMER IS A TWO STAGE TOOL USED AT THE STARTING END OF EACH PANEL (EAVE OR RIDGE) PRIOR TO SEAMING WITH THE ELECTRICAL SEAMER.

- IN THE FIRST STAGE PLACE PHASE 1 SIDE OF THE SEAMER ONTO THE OPEN SIDE OF THE SEAM AT THE END OF THE PANEL, AND ENGAGE THE TOOL TO A FULLY CLOSED POSITION. REMOVE THE SEAMER AND MOVE UP THE SLOPE THE WIDTH OF THE SEAMER JAWS (APPROXIMATELY FOUR INCHES) AND ENGAGE THE TOOL TO A FULLY CLOSED POSITION. THIS SHOULD COMPLETE THE FIRST STAGE OF HAND/LEAVE SEAMING.
- REMOVE THE SEAMER AND REVERSE THE DIRECTION SO THAT PHASE 2 SIDE OF THE SEAMER IS PRESSED ONTO THE OPEN SIDE OF THE SEAM, STARTING AT THE PANEL END ENGAGE THE TOOL TO A FULLY CLOSED POSITION TO COMPLETE THE SEAM. DO THIS STEP ONLY ONCE FOR THE SEAM IS NOW READY FOR THE ELECTRICAL SEAMER.

THE STANDING SEAM 360 ELECTRIC ROOF SEAMER IS A SINGLE DIRECTION MACHINE USED FOR SEAMING THE PANELS TOGETHER AT THE SIDELAPS. GABLE BUILDINGS WILL REQUIRE THE SEAMER TO START AT THE EAVE ON ONE SIDE OF THE BUILDING AND TRAVEL UP THE SLOPE TO THE RIDGE AND THEN TRAVEL DOWN THE SLOPE TO THE EAVE ON THE OPPOSITE SIDE OF THE BUILDING. SINGLE SLOPE BUILDINGS WILL REQUIRE THE SEAMER TO START AT EITHER THE HIGH OR LOW SIDE OF THE BUILDING DEPENDING UPON THE SHEETING DIRECTION.

- TO START THE SEAMING PROCESS, PLACE THE ELECTRICAL SEAMER IN POSITION WITH THE THREE HANDLES IN THE UNLOCKED POSITIONS. THE SEAM ROLLERS SHOULD BE ON THE OPEN SIDE OF THE SEAM AND THE BACK OF THE SEAMER SHOULD BE ALIGNED WITH THE END OF PANEL (THE HAND/LEAVE SEAMING OPERATION AT THE STARTING END OF THE PANEL SHOULD HAVE ALREADY BEEN COMPLETED). LOCK THE THREE HANDLES INTO POSITION AND START THE SEAMER. ALLOW THE SEAMER TO COMPLETE ITS RUN TO THE OPPOSITE END OF THE PANEL. SHOULD FURTHER SEAMING BE REQUIRED AFTER COMPLETING THE RUN WITH THE ELECTRICAL SEAMER, FINISH WITH THE TWO STAGE HAND/LEAVE SEAMING PROCESS. DO NOT RUN THE ELECTRICAL SEAMER THROUGH ANY SECTION OF THE PANEL THAT HAS BEEN HAND/LEAVE SEAMED.

THE SEAMER SHOULD NEVER BE ALLOWED TO BECOME A FALLING HAZARD TO ANYONE BENEATH THE ROOF. ALL SAFETY PRECAUTIONS AND OSHA SAFETY REGULATIONS SHOULD ALWAYS BE FOLLOWED FOR MAXIMUM WORKER SAFETY.

PANEL SEAMING PROCESS
STANDING SEAM 360

RC38
TA

[Download the DWG file by clicking here.](#)



AMERICAN BUILDINGS

A NUCOR COMPANY

PRODUCT MANUAL

STANDING SEAM ROOF PANEL

Basic Parts and Pieces
Standing Seam 360
RC61/TA

STANDING SEAM 360 PANEL CLIP
S3PC-1 CLIP SHOWN (OTHER CLIPS SIMILAR)

CLIP ATTACHMENT	
SECONDARY MATERIAL THICKNESS	FASTENERS ^(1, 2)
16 GA. - 12 GA.	(2) H1020 (H1025 w/INSULATION OVER 6")
11 GA. - 1/2"	(2) H1070 (H1075 w/INSULATION OVER 6")
COMPOSITE ROOFS	#12-14X OR 1/4-20X (PURLINS) / #12-15 (DECK)

NOTE:
 1. FACTORY MUTUAL JOBS (FM RATING) MAY REQUIRE ADDITIONAL OR DIFFERENT FASTENERS AND CLIPS.
 2. #12 x 2 SDHH FASTENER REQUIRED FOR S3PC-5T PANEL CLIP.
 3. FASTENER LENGTHS FOR PANEL CLIP ATTACHMENT VARY FOR COMPOSITE ROOF SYSTEMS.

ROOF FASTENER
H1030

THERMAL BLOCKS
TB1T

STANDING SEAM METAL EAVE CLOSURE
SSMC-I

STANDING SEAM METAL OUTSIDE CLOSURE
SSMOC

SSLS-1
STANDING SEAM LAP STIFFENER

50'-0" ROLL
1/2" x 2 1/2" x 50'-0" EPS, FOAM SPACER TAPE
FOR USE AT UNINSULATED ROOFS

STANDING SEAM PANELS IN GENERAL ARE KNOWN FOR THEIR TENDENCY TO RUMBLE IN HIGH WINDS IF INSULATION IS NOT USED. WHEN UNINSULATED STANDING SEAM ROOFS ARE USED SHORT CLIPS ARE REQUIRED AND CONTINUOUS RUN OF 1/2 X 2 1/2 EPS ON THE TOP OF ALL PURLINS, BAR JOISTS AND RAKE ANGLES.

SAFETY PRECAUTION:
ALWAYS WEAR GLOVES WHEN HANDLING MATERIALS.

RC61
TA

[Download the DWG file by clicking here.](#)

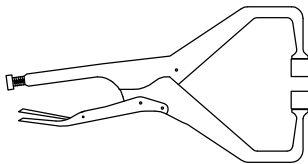
[To Section Index](#)

Standing Seam 360 Erection Tools

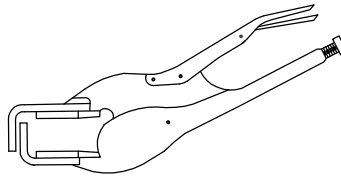
RC62/TA

STANDING SEAM 360 PANEL ROOF SYSTEM HAS UNIQUE SIDELAP SEAMS WHICH ENGAGE THE ADJACENT PANEL TO FORM A TIGHT PENETRATION FREE CONNECTION. THE PANEL IS ATTACHED TO THE SUPPORT FRAMING BY A SPECIAL STANDING SEAM 360 PANEL CLIP WHICH IS INTERLOCKED WITHIN THE SEAM AND FASTENED TO THE PURLIN WITH SELF-DRILLING FASTENERS. THE PROPER INSTALLATION OF THE PANEL WILL REQUIRE TOOLS SPECIALLY DESIGNED FOR THIS PURPOSE.

ILLUSTRATED BELOW ARE THE TOOLS USED ON A STANDING SEAM 360 ROOF PANEL SYSTEM.

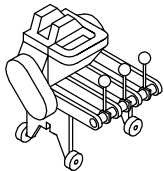


LOCKING CLAMP
ET-SSPLC
RC66TA

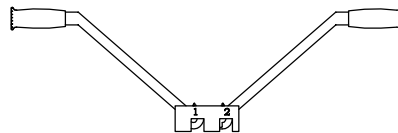


STANDING SEAM 360 DUCKBILL VISE GRIPS
ET-S3PVG
RD11ATA

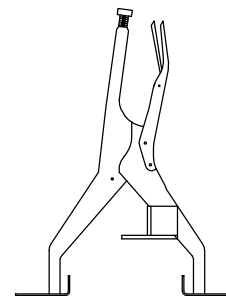
SAFETY PRECAUTION:
USE THE CORRECT TOOL FOR
EACH JOB.



* PANEL ELECTRIC SEAMER
RC36TA & RC38TA



* HAND SEAMER/SEAM STARTER
RC68ATA



STANDING SEAM INSTALLATION CLAMP
ET-SSPIC
RC70SA

* AVAILABLE FOR PURCHASE OR RENTAL THROUGH;

D.I. ROOF SEAMERS
915 HIGHWAY 45
CORINTH, MS 38834
888.343.0456
WWW.EAGLESEAMERS.COM

STANDING SEAM 360 ERECTION TOOLS

RC62
TA

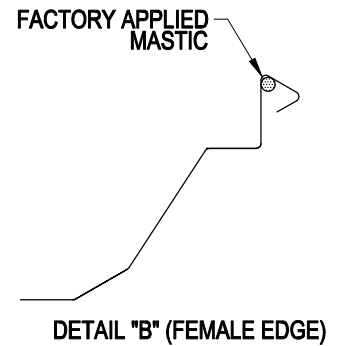
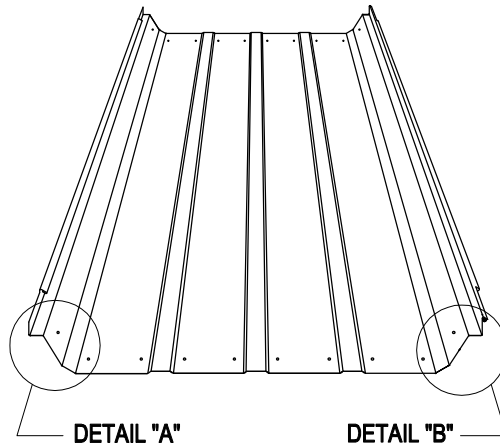
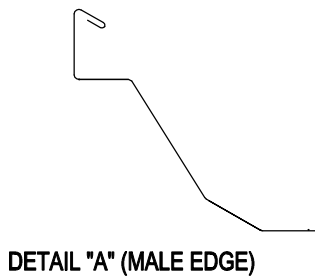
[Download the DWG file by clicking here.](#)

[To Section Index](#)

Panel Marking and Notching
Standing Seam 360
RC63/TA

NOTE:

PANELS ARE DIMPLED AT BOTH ENDS. DIMPLES ARE USED FOR FASTENER LOCATIONS AT THE PANEL ENDLAPS ONLY.

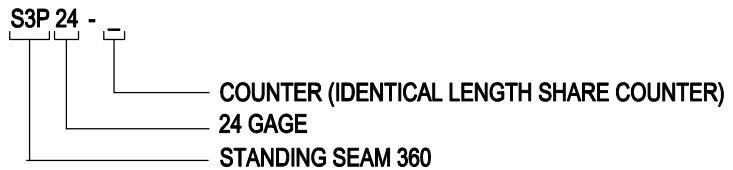


STANDING SEAM 360 ROOF PANEL

SAFETY PRECAUTION
DO NOT STEP ON RIB OF
PANEL. ALWAYS STEP ON
FLAT SURFACE.

STANDING SEAM 360 PANEL IDENTIFICATION MARK NUMBER

EXAMPLE



NOTE:

ALUMINUM-COATED PANELS ARE SUBJECT TO STAINING DUE TO RESIDUE FROM BARE HANDS. ALUMINUM-COATED LINER PANELS THAT INCLUDE AN ACRYLIC FINISH DO HAVE ADDITIONAL PROTECTION, BUT IT IS LIMITED AND DETERIORATES IN A RELATIVELY SHORT TIME MAKING THAT PANEL ALSO SUBJECT TO STAINING FROM BARE HANDS. IT IS RECOMMENDED THAT GLOVES BE USED FOR ALL HANDLING OF BOTH PRODUCTS AND THAT APPLICATION OF THESE PRODUCTS BE LIMITED TO AREAS NOT EXPOSED TO TOUCH.

PANEL MARKING AND NOTCHING

STANDING SEAM 360

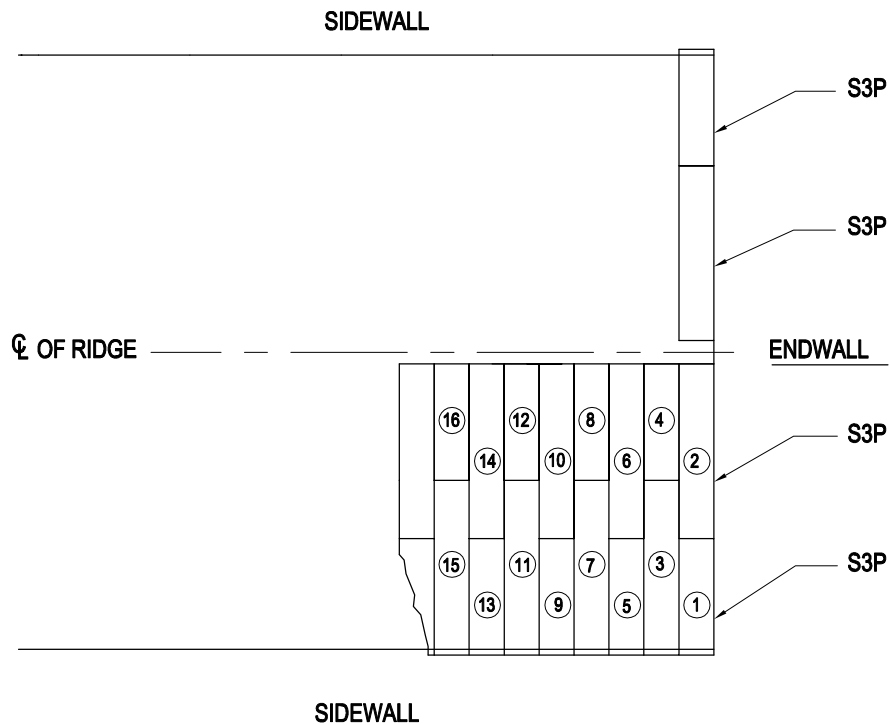
RC63
TA

[Download the DWG file by clicking here.](#)

[To Section Index](#)

Direction of Roof Panel Erection
 Standing Seam 360
 RC64/TA

THE STANDING SEAM ROOF PANELS HAVE BEEN DESIGNED SO THAT BOTH SIDES
 OF A GABLED BUILDING CAN BE SHEETED SIMULTANEOUSLY.



PANEL STAGGER LAYOUT -
 TO ASSURE A WATER TIGHT CONNECTION, STANDING SEAM ENDLAPS ARE DESIGNED TO BE STAGGERED FROM ONE PANEL RUN TO THE NEXT. SEE ERECTION DRAWING FOR PROPER ENDLAP LOCATIONS.

DIRECTION OF ROOF PANEL ERECTION

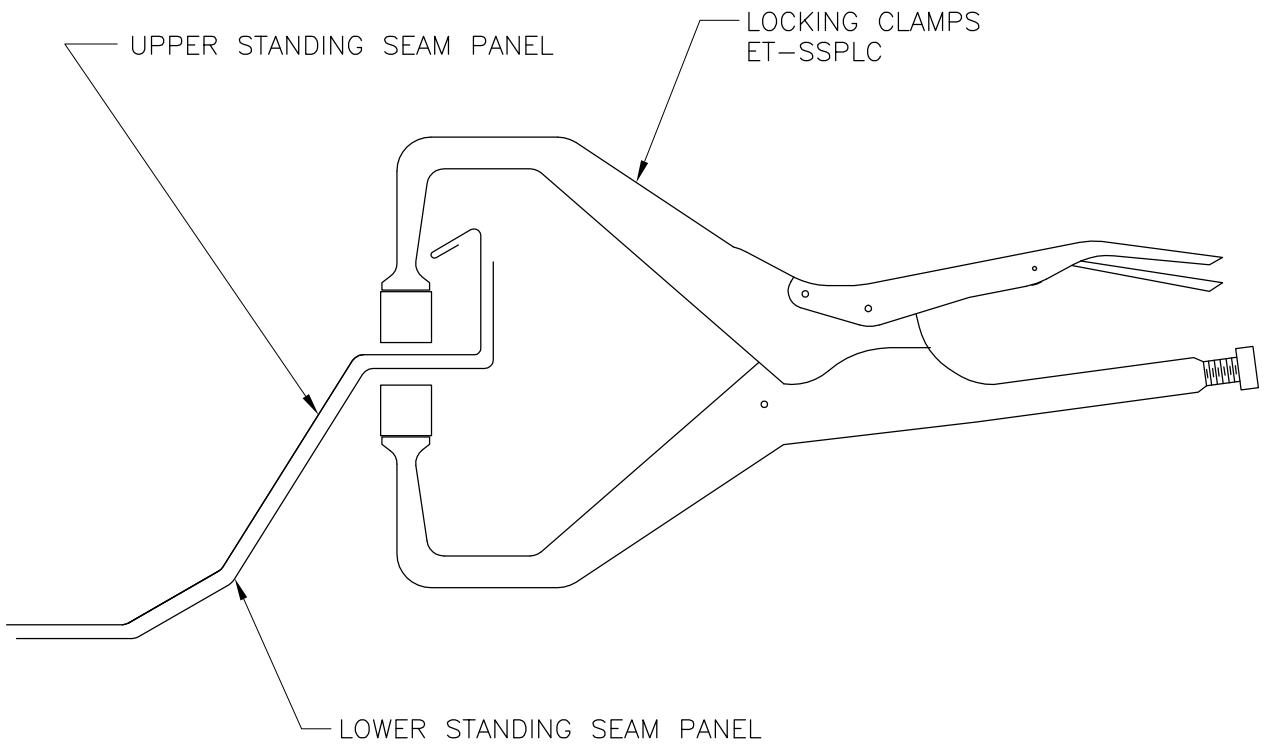
STANDING SEAM 360

RC64
TA

[Download the DWG file by clicking here.](#)

[To Section Index](#)

Clamping Detail at Endlap
Standing Seam 360
RC66/TA



Clamp male ribs at endlap prior to installing fasteners

CLAMPING DETAIL AT ENDLAP
STANDING SEAM 360

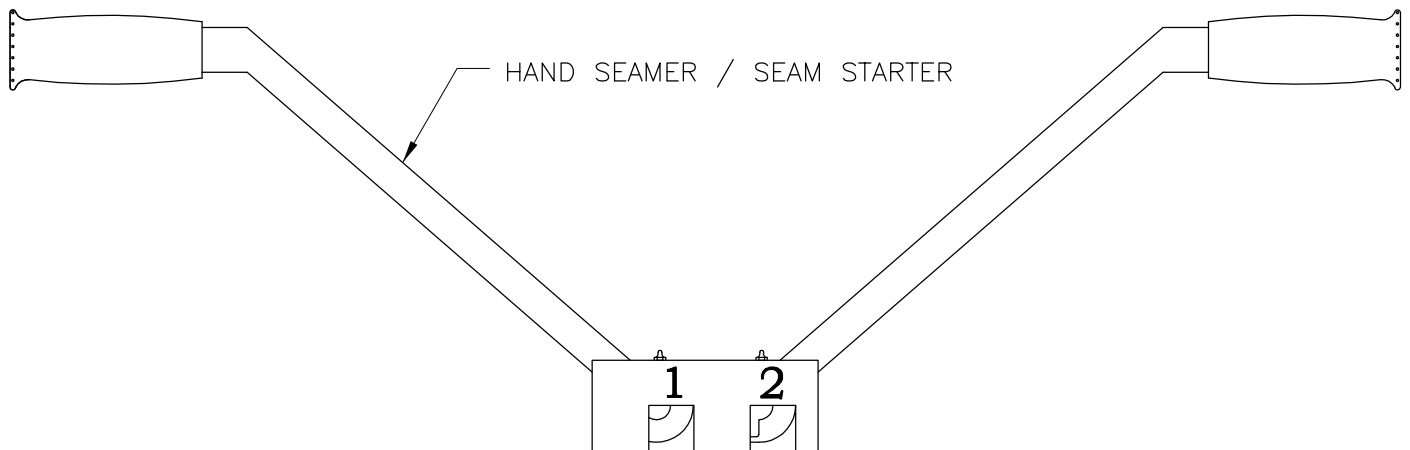
RC66
TA

[Download the DWG file by clicking here.](#)

[To Section Index](#)

Standing Seam 360 Panel Hand Seamer Tool

RC68A/TA



Shown above is the Hand Seamer tool. This tool is used at different locations prior to electrically seaming the roof.

PHASE 1 – 90° BEND
PHASE 2 – 360° BEND

**REFER TO THE OWNER'S MANUAL INCLUDED WITH THE STANDING SEAM PANEL
HAND SEAMER / SEAM STARTER FOR SAFE AND PRACTICAL SEAMING INSTRUCTIONS**

STANDING SEAM 360 PANEL HAND SEAMER TOOL

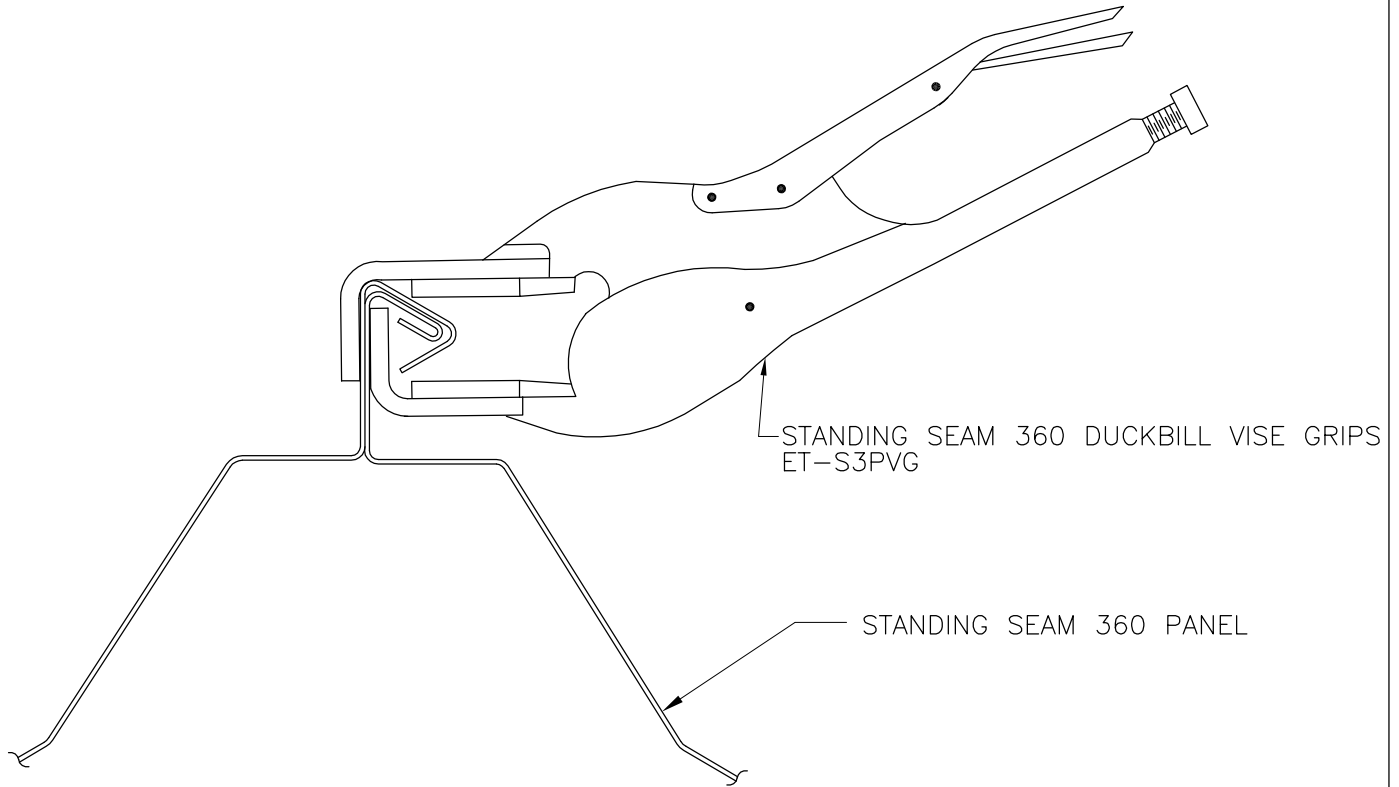
RC68A
TA

[Download the DWG file by clicking here.](#)

[To Section Index](#)

Standing Seam 360 Duckbill Vise Grips

RD11A/TA



Position vise grips as shown and squeeze handles together to seam panel.

This tool is to be used at female leg at endlap during panel lap installation (position vise grips as shown before installing any fasteners).

STANDING SEAM 360 DUCKBILL VISE GRIPS

RD11A
TA

[Download the DWG file by clicking here.](#)

[To Section Index](#)