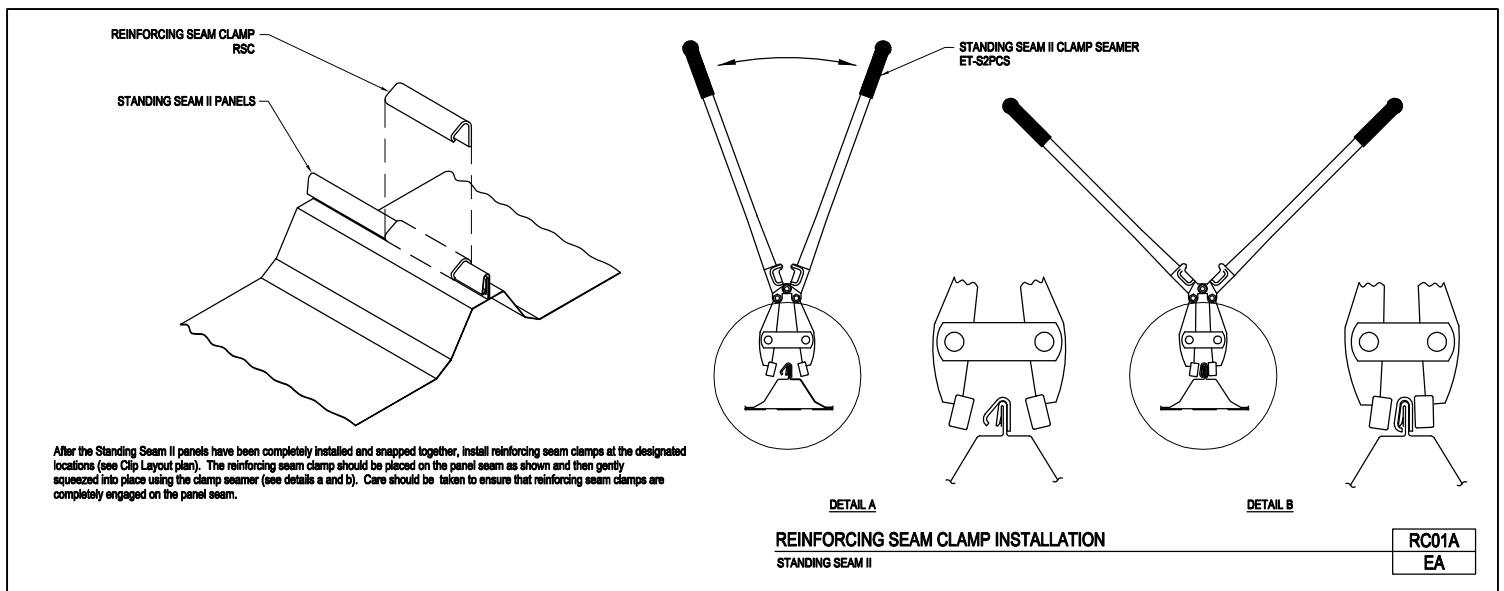


# Product Manual - Standing Seam II - Roof Covering

---

RC01A/EA, Reinforcing Seam Clamp Installation  
RC01/EA, Detail at Sidelap  
RC02/SA, Reinforced Panel Clip Attachment Detail  
RC03/SA, Panel to Clip Fastening Base Accessory Attachment  
RC04A/EA, Reinforcing Seam Clamp Mid-Span of Purlins Detail  
RC04/EA, Reinforcing Seam Clamp Detail  
RC06/SA, Roof Panel Endlap  
RC07/SA, Panel Lap Detail  
RC17/EA, Typical Clip Attachment to Purlin  
RC36/EA, Standing Seam II Seaming Applications  
RC61/EA, Basic Parts and Pieces  
RC62/EA, Standing Seam II Erection Tools  
RC63/EA, Panel Marking and Notching  
RC64/SA, Sequence of Roof Panel Erection  
RC65/EA, Standing Seam II Duckbill Vise Grips  
RC66/EA, Clamping Detail at Endlap  
RC67/EA, Installation of Panel Clip  
RC68/EA, Standing Seam II Seaming Machine  
RC69/EA, Standing Seam Mirror  
RC76/EA, Standing Seam II Deseamer

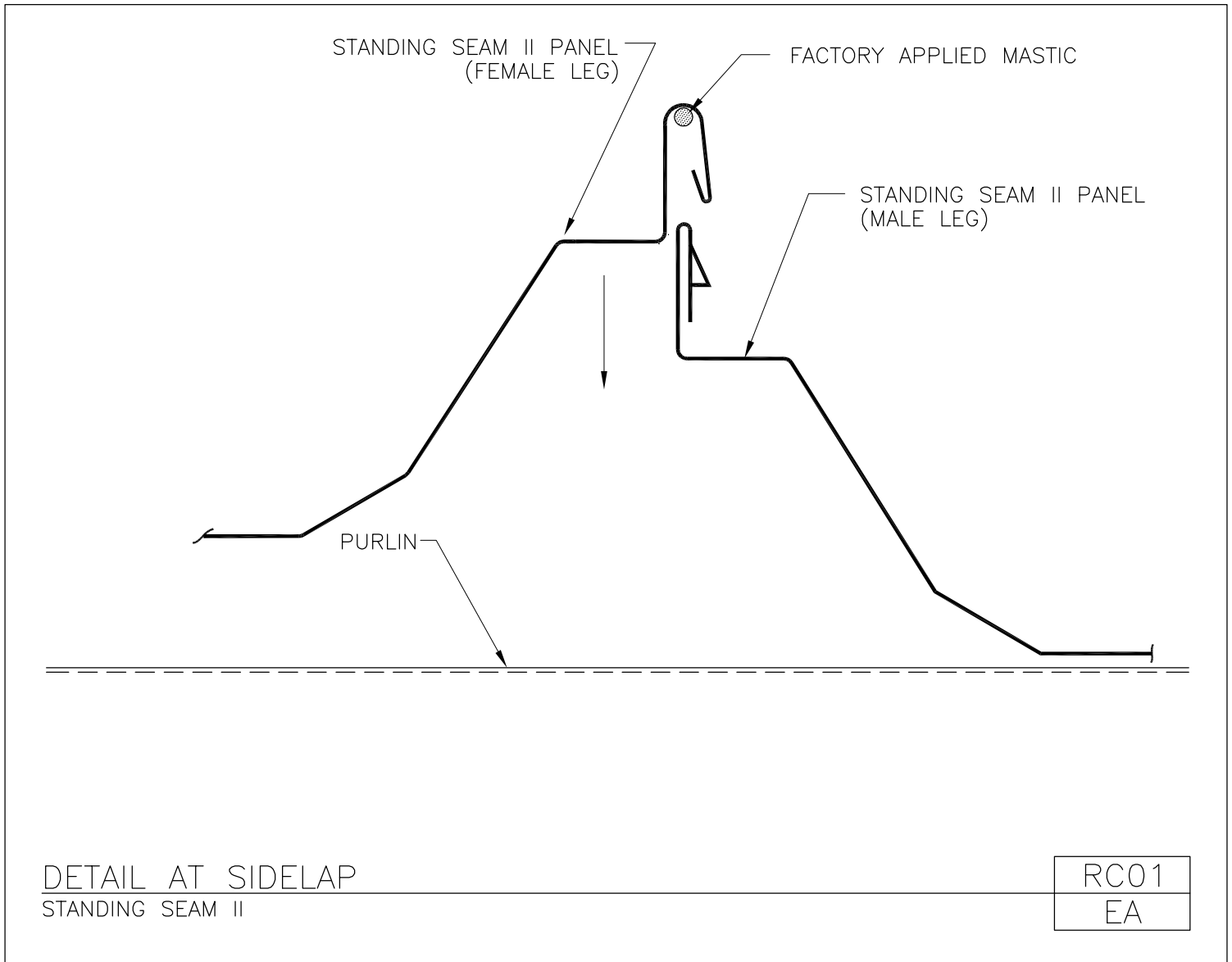
Reinforcing Seam Clamp Installation  
Standing Seam II  
RC01A/EA



[Download the DWG file by clicking here.](#)

[To Section Index](#)

Detail at Sidelap  
Standing Seam II  
RC01/EA



[Download the DWG file by clicking here.](#)

[To Section Index](#)



**AMERICAN  
BUILDINGS**

A **NUCOR** COMPANY

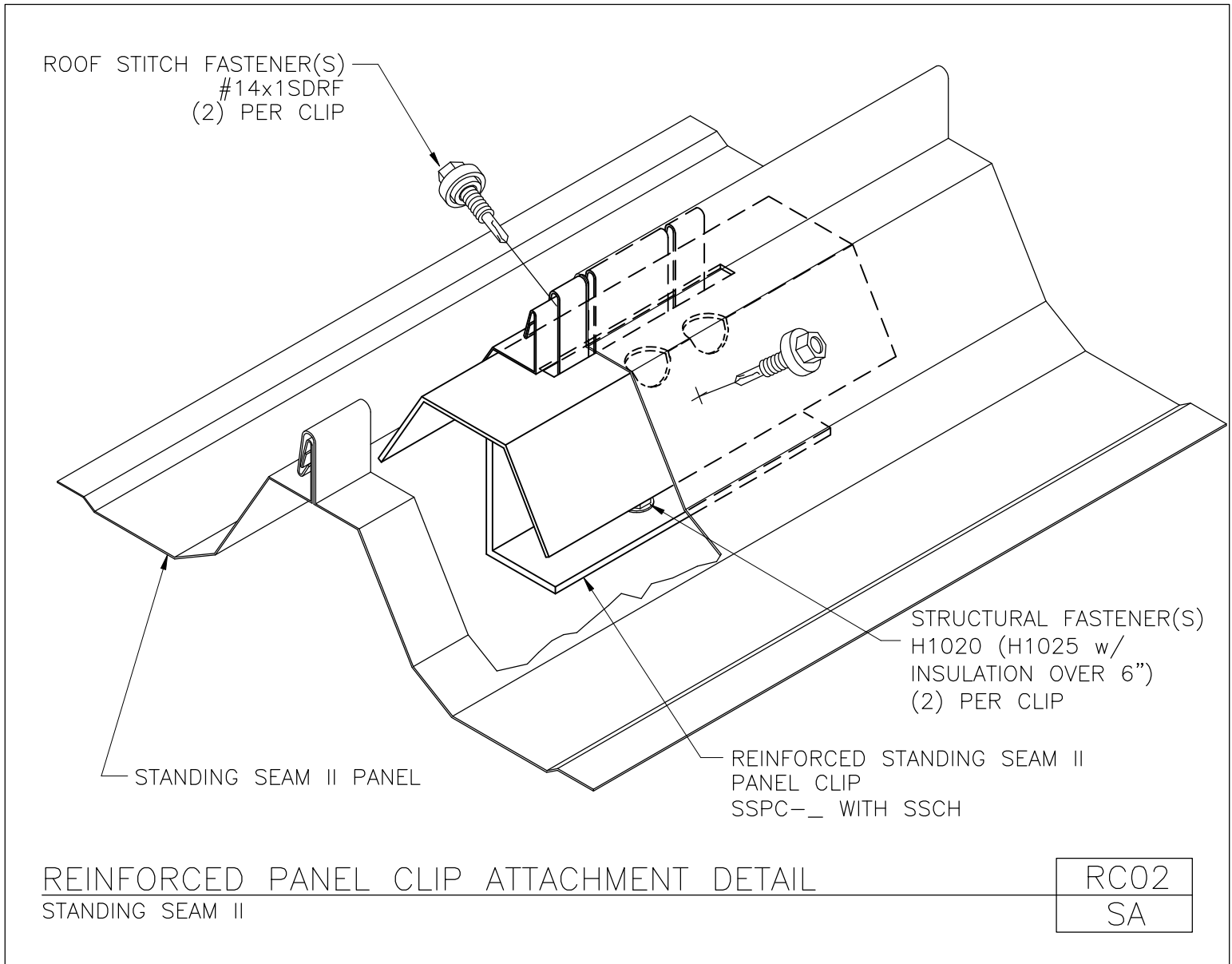
# PRODUCT MANUAL

STANDING SEAM ROOF PANEL

## Reinforced Panel Clip Attachment Detail

Standing Seam II

RC02/SA

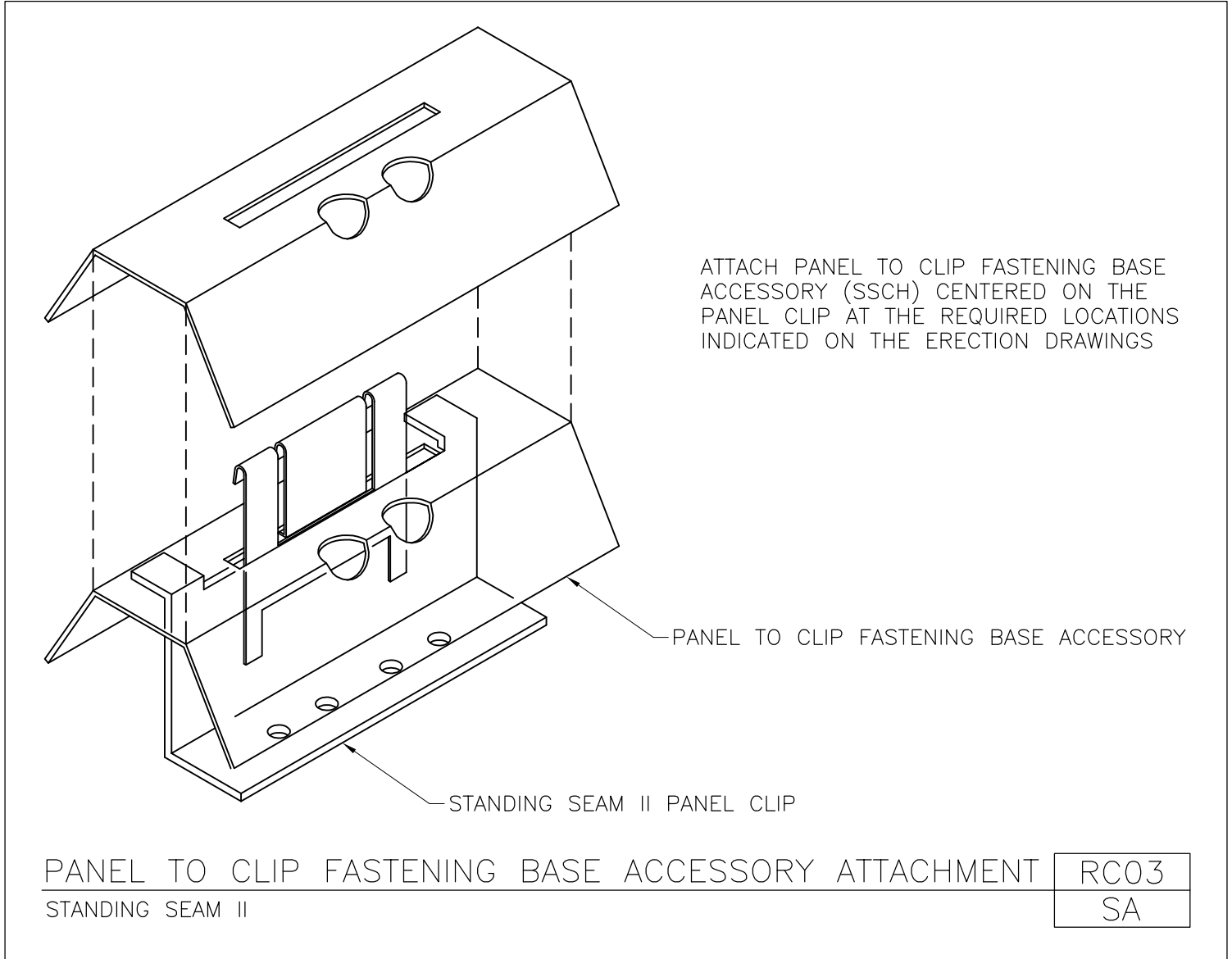


[Download the DWG file by clicking here.](#)

[To Section Index](#)

Revised: 03.31.21 (MR2021.04)

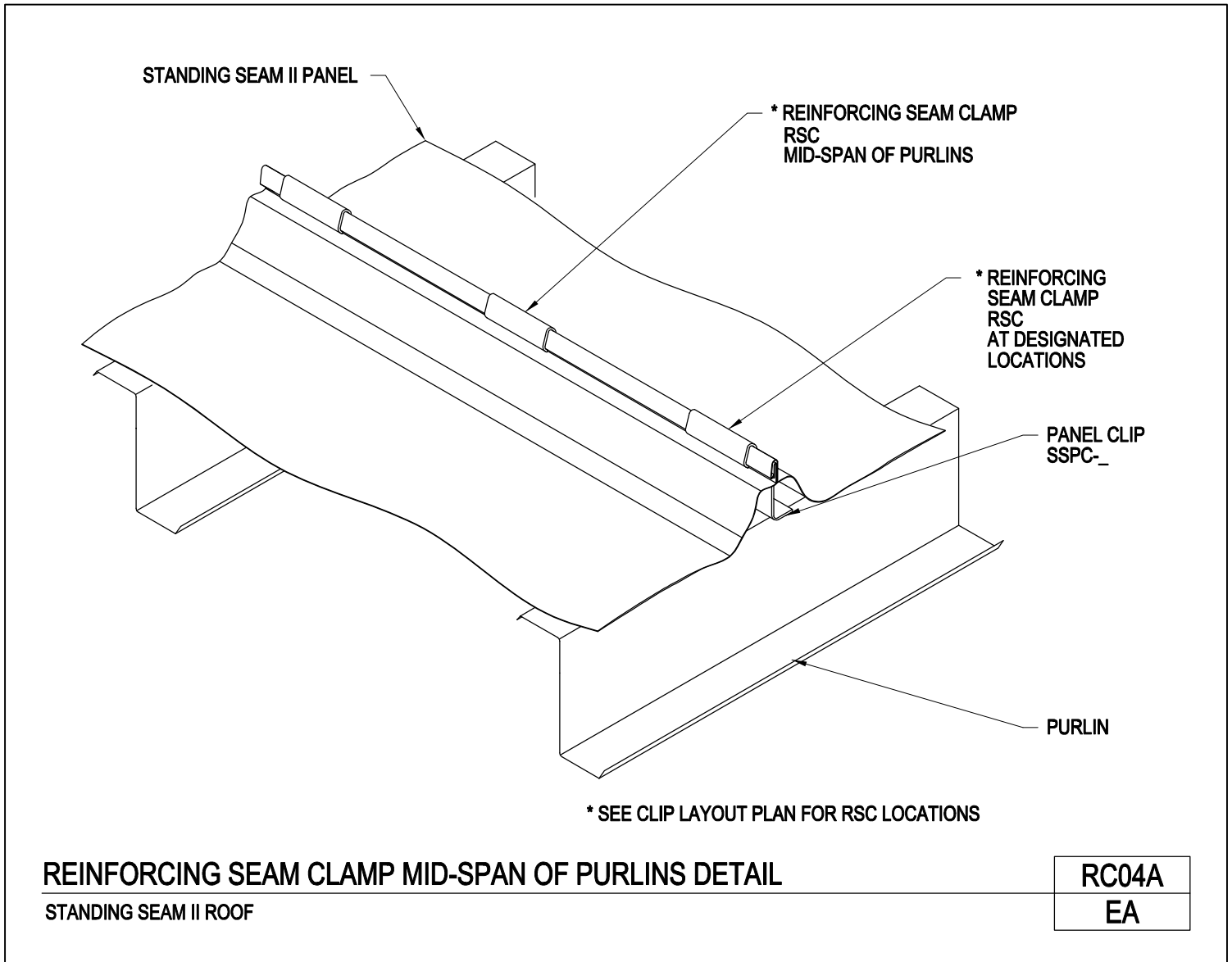
Panel to Clip Fastening Base Accessory Attachment  
Standing Seam II  
RC03/SA



[Download the DWG file by clicking here.](#)

[To Section Index](#)

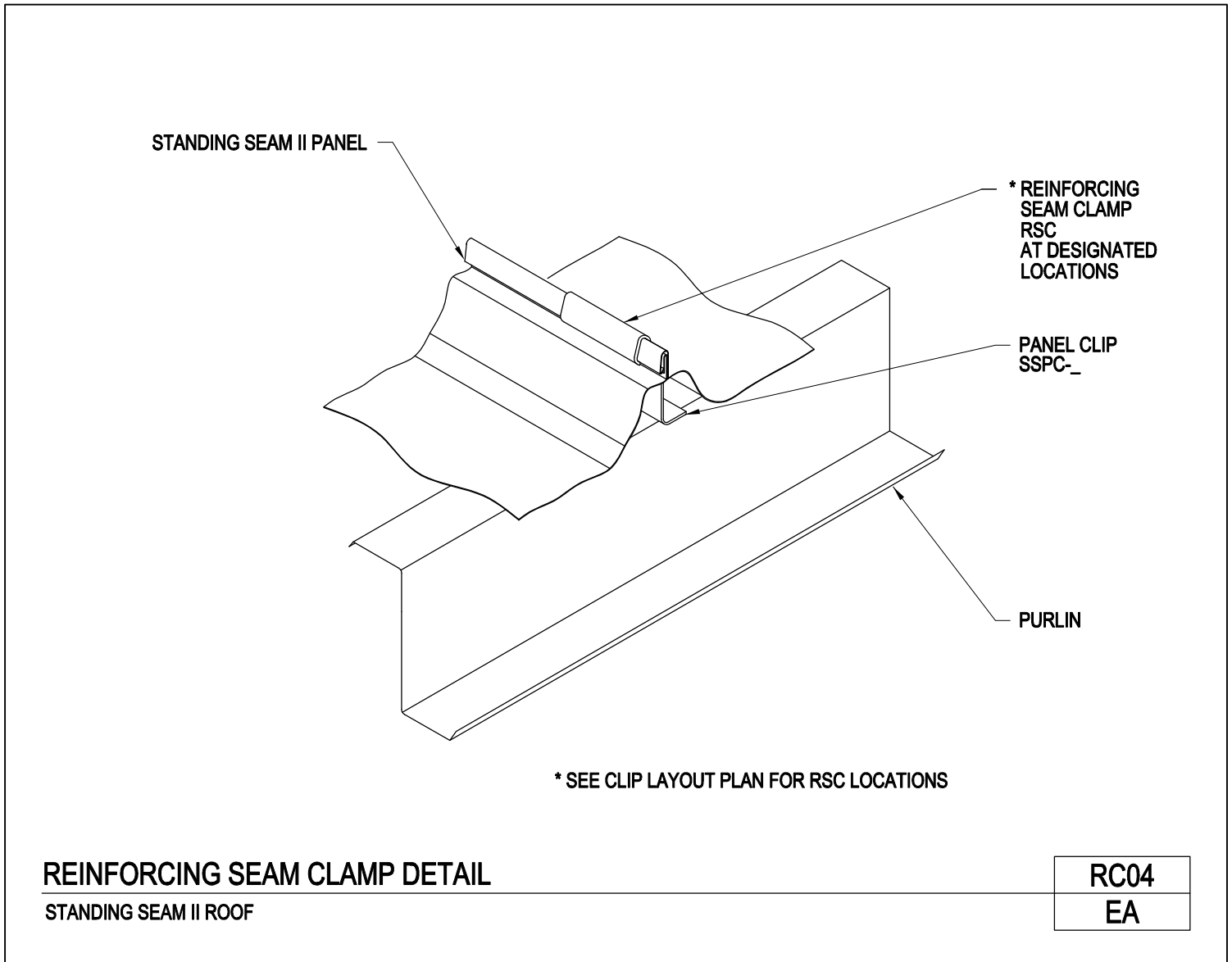
Reinforcing Seam Clamp Mid-Span of Purlins Detail  
Standing Seam II Roof  
RC04A/EA



[Download the DWG file by clicking here.](#)

[To Section Index](#)

Reinforcing Seam Clamp Detail  
Standing Seam II Roof  
RC04/EA



[Download the DWG file by clicking here.](#)

[To Section Index](#)



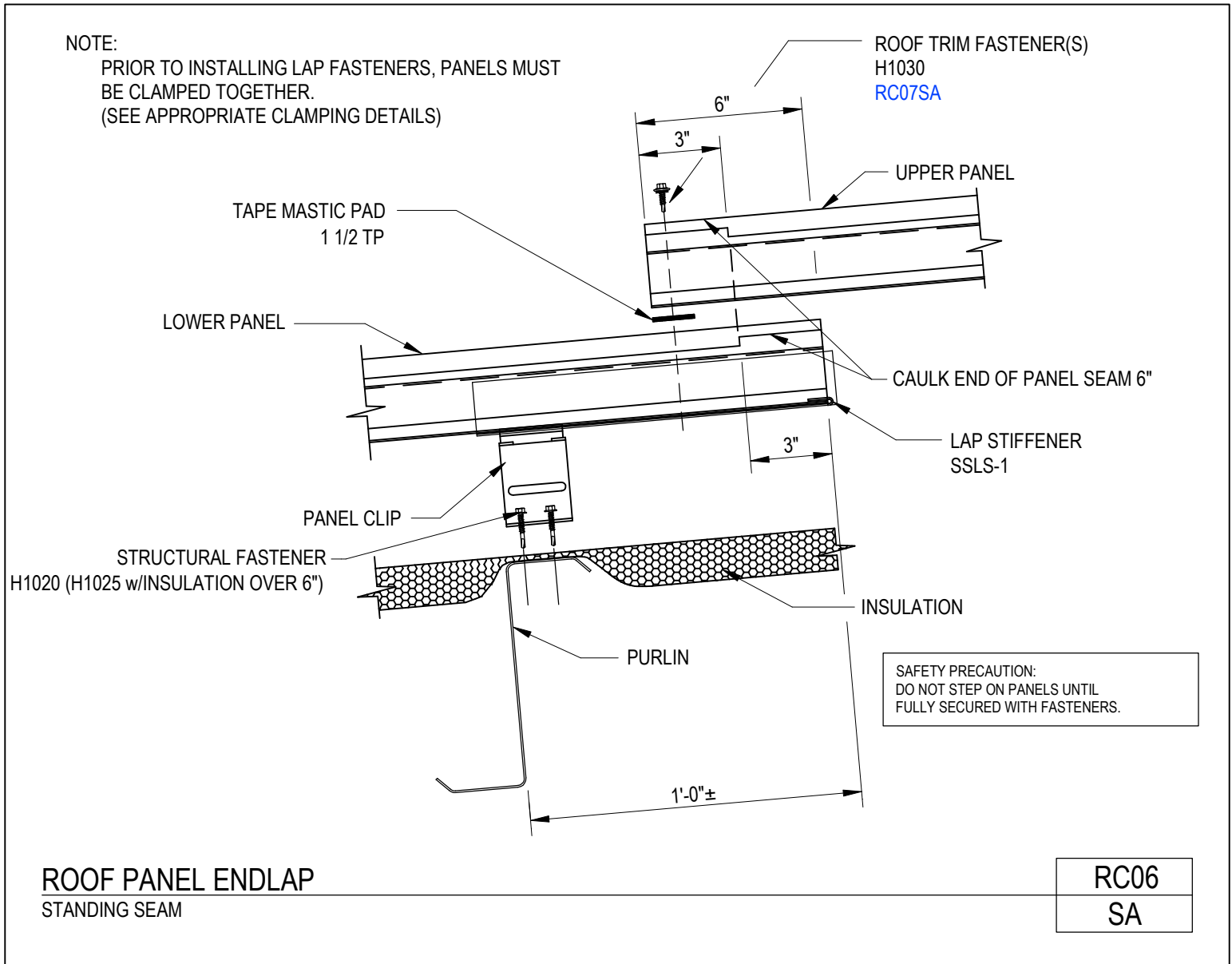
# AMERICAN BUILDINGS

A NUCOR COMPANY

# PRODUCT MANUAL

STANDING SEAM ROOF PANEL

Roof Panel Endlap  
Standing Seam II  
RC06/SA



[Download the DWG file by clicking here.](#)

[To Section Index](#)





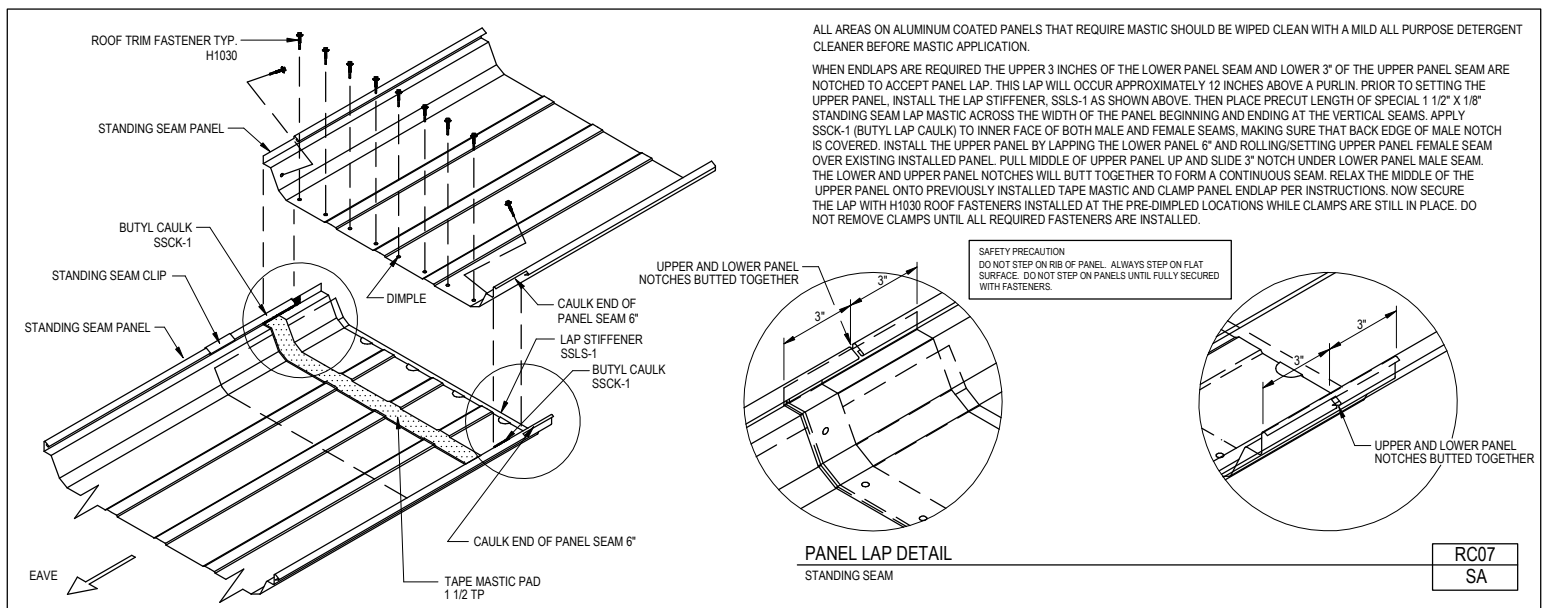
# AMERICAN BUILDINGS

A NUCOR COMPANY

# PRODUCT MANUAL

## STANDING SEAM ROOF PANEL

### Panel Lap Detail Standing Seam II RC07/SA



[Download the DWG file by clicking here.](#)

[To Section Index](#)



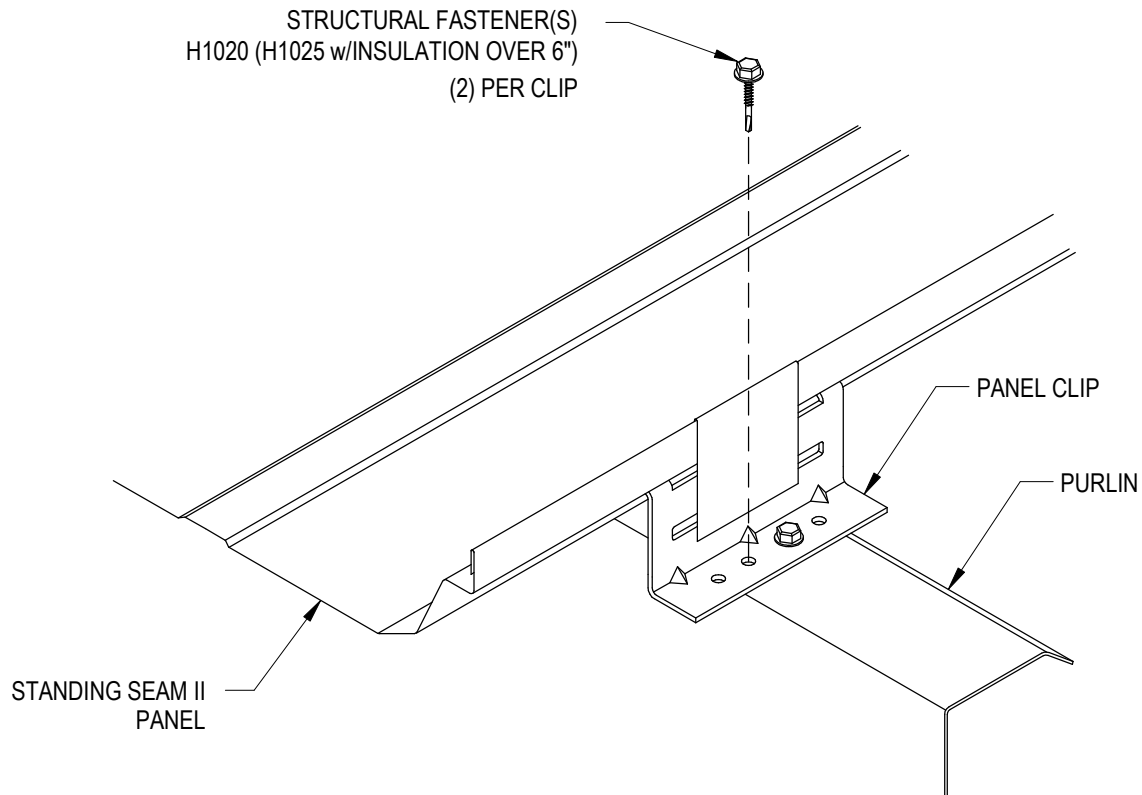
**AMERICAN  
BUILDINGS**

A **NUCOR** COMPANY

# PRODUCT MANUAL

STANDING SEAM ROOF PANEL

Typical Clip Attachment to Purlin  
Standing Seam II  
RC17/EA



HOOK TAB OF CLIP OVER MALE LEG OF PANEL AND ROTATE DOWN INTO POSITION.  
SECURE THE CLIP TO THE PURLIN WITH (2) H1020, (H1025 w/INS. >6''), FASTENERS.  
A GAUGE SHOULD BE USED TO MAINTAIN PANEL MODULE.

## TYPICAL CLIP ATTACHMENT TO PURLIN

STANDING SEAM II

RC17

EA

[Download the DWG file by clicking here.](#)

[To Section Index](#)

## Standing Seam II Seaming Applications

RC36/EA

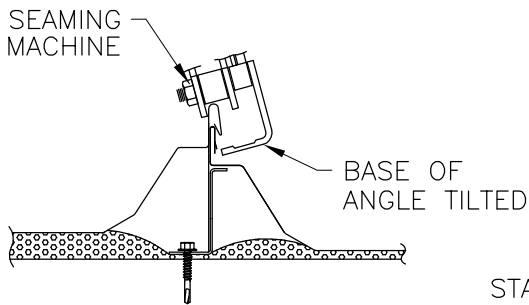


FIGURE 1

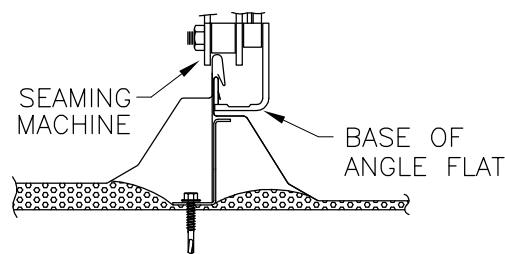


FIGURE 2

SEAMING MACHINE  
(LEFT HAND) ET-S2PLS  
(RIGHT HAND) ET-S2PRS

STANDING SEAM II  
PANEL

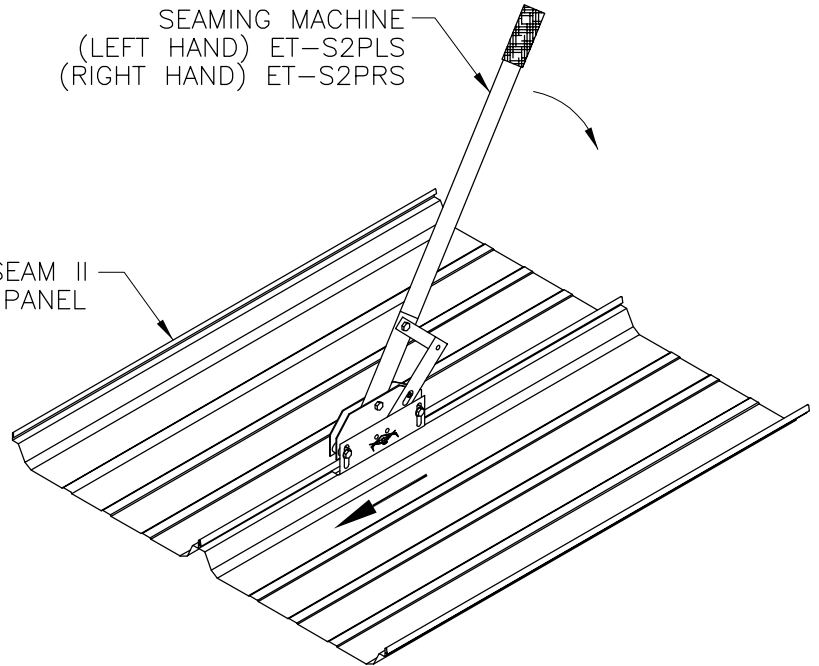


FIGURE 3

In preparation of the seaming operation, move the seam machine onto the unlocked seam by leaning the handle away from the operator as indicated in Figure 1. Rotate the seamer back into the working position on the seam as shown in Figure 2 with the lifting shoe under the bottom edge of the male seam.

Seam the two panels together by pushing down on the handle of the seaming machine until the panels are heard to snap. Move the machine forward approximately 8 to 12 inches and repeat the seaming procedure. Continue the procedure for the full length of the panel as shown in Figure 3.

## STANDING SEAM II SEAMING APPLICATIONS

RC36
EA

[Download the DWG file by clicking here.](#)



# AMERICAN BUILDINGS

A NUCOR COMPANY

# PRODUCT MANUAL

STANDING SEAM ROOF PANEL

## Basic Parts and Pieces

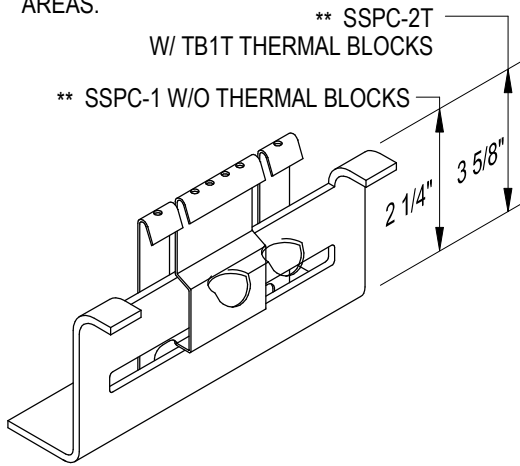
### Standing Seam II

RC61/EA

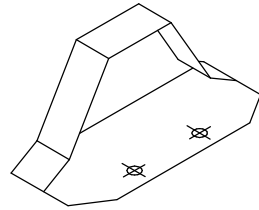
\*\* IF REQ'D, USE REINFORCED PANEL CLIP (SSCH) IN CONJUNCTION WITH SSPC-   IN DESIGNATED AREAS.

\*\* SSPC-2T  
W/ TB1T THERMAL BLOCKS

\*\* SSPC-1 W/O THERMAL BLOCKS



STANDING SEAM II PANEL CLIP



STANDING SEAM METAL EAVE CLOSURE

SSMC-I

STANDING SEAM PANELS IN GENERAL ARE KNOWN FOR THEIR TENDENCY TO RUMBLE IN HIGH WINDS IF INSULATION IS NOT USED. STANDING SEAM II AND 360 ARE NO DIFFERENT. UNDER NO CIRCUMSTANCES SHOULD STANDING SEAM II OR 360 BE USED WITHOUT BLANKET INSULATION BETWEEN THE PANEL AND THE PURLIN/BAR JOIST.

## BASIC PARTS AND PIECES

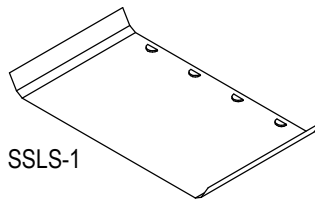
STANDING SEAM II

CLIP ATTACHMENT	
SECONDARY MATERIAL THICKNESS	FASTENERS *
16 GA. - 12 GA.	(2) H1020 (H1025 w/INSULATION OVER 6")
11 GA. - 1/2"	(2) H1070 (H1075 w/INSULATION OVER 6")

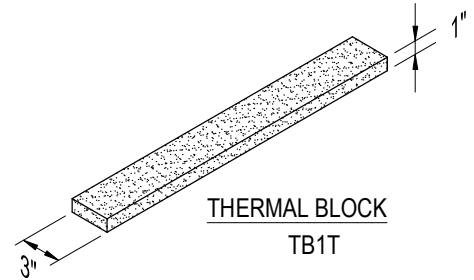


ROOF FASTENER  
H1030

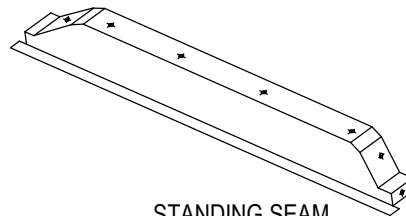
\* Note:  
Factory Mutual jobs (FM Rating) may require additional or different fasteners and clips.



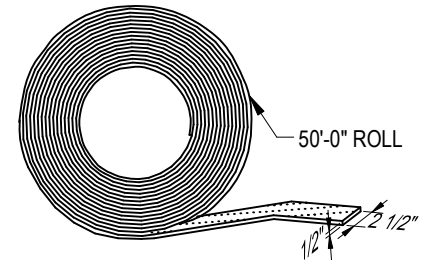
SSLS-1  
STANDING SEAM LAP STIFFENER



THERMAL BLOCK  
TB1T



STANDING SEAM METAL OUTSIDE CLOSURE  
SSMOC



1/2" x 2 1/2" x 50'-0" EPS, FOAM SPACER TAPE  
FOR USE AT UNINSULATED ROOFS

SAFETY PRECAUTION:  
ALWAYS WEAR GLOVES WHEN  
HANDLING MATERIALS.

RC61

EA

[Download the DWG file by clicking here.](#)

[To Section Index](#)

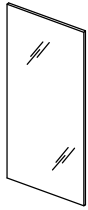
Standing Seam II Erection Tools

RC62/EA

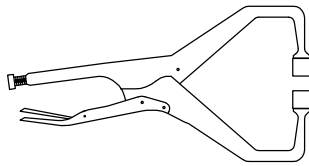
STANDING SEAM II PANEL ROOF SYSTEM HAS UNIQUE SIDELAP SEAMS WHICH ENGAGE THE ADJACENT PANEL TO FORM A TIGHT PENETRATION FREE CONNECTION. THE PANEL IS ATTACHED TO THE SUPPORT FRAMING BY A SPECIAL STANDING SEAM II PANEL CLIP WHICH IS INTERLOCKED WITHIN THE SEAM AND FASTENED TO THE PURLIN WITH SELF-DRILLING FASTENERS. THE PROPER INSTALLATION OF THE PANEL WILL REQUIRE TOOLS SPECIALLY DESIGNED FOR THIS PURPOSE.

ILLUSTRATED BELOW ARE THE TOOLS USED ON A STANDING SEAM II ROOF PANEL SYSTEM.

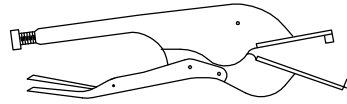
SAFETY PRECAUTION:  
USE THE CORRECT TOOL FOR EACH JOB.



STANDING SEAM II MIRROR  
ET-S2PM  
RC69EA



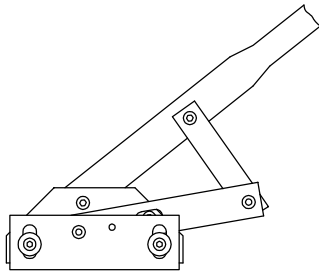
LOCKING CLAMP  
ET-SSPLC  
RC66EA



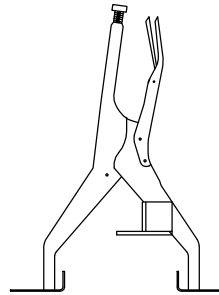
STANDING SEAM II DUCKBILL VISE GRIPS  
ET-S2PVG  
RC65EA



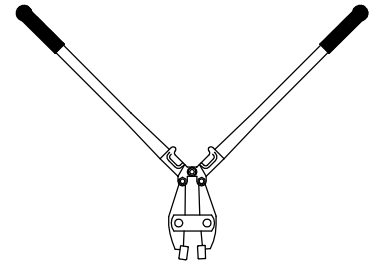
DESEAMER  
ET-S2PDS  
RC76EA



STANDING SEAM II SEAMING MACHINE  
ET-S2PLS/ET-S2PRS  
RC36EA



STANDING SEAM INSTALLATION CLAMP  
ET-SSPIC  
RC70SA



CLAMP SEAMER  
ET-S2PCS  
RC01AEA

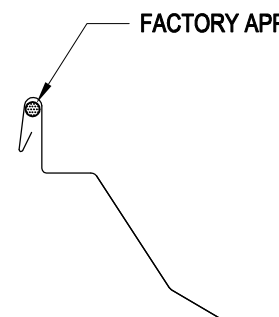
STANDING SEAM II ERECTION TOOLS

RC62  
EA

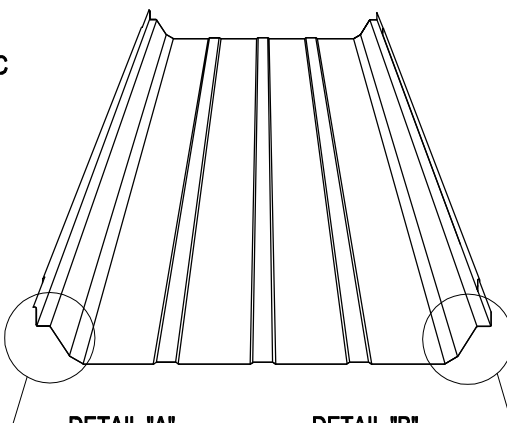
[Download the DWG file by clicking here.](#)

[To Section Index](#)

Panel Marking and Notching  
Standing Seam II  
RC63/EA

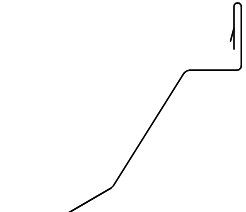


**DETAIL "A" (FEMALE EDGE)**



**DETAIL "A"      DETAIL "B"**

**NOTE:**  
PANELS ARE DIMPLED AT BOTH ENDS. DIMPLES ARE USED FOR FASTENER LOCATIONS AT THE PANEL ENDLAPS ONLY.

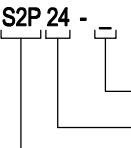


**DETAIL "B" (MALE EDGE)**

**STANDING SEAM II ROOF PANEL**

**STANDING SEAM II PANEL IDENTIFICATION MARK NUMBER**

**EXAMPLE**      **S2P 24 -**



COUNTER (IDENTICAL LENGTH SHARE COUNTER)

24 GAGE

STANDING SEAM II

**NOTE:**  
ALUMINUM-COATED PANELS ARE SUBJECT TO STAINING DUE TO RESIDUE FROM BARE HANDS. ALUMINUM-COATED LINER PANELS THAT INCLUDE AN ACRYLIC FINISH DO HAVE ADDITIONAL PROTECTION, BUT IT IS LIMITED AND DETERIORATES IN A RELATIVELY SHORT TIME MAKING THAT PANEL ALSO SUBJECT TO STAINING FROM BARE HANDS. IT IS RECOMMENDED THAT GLOVES BE USED FOR ALL HANDLING OF BOTH PRODUCTS AND THAT APPLICATION OF THESE PRODUCTS BE LIMITED TO AREAS NOT EXPOSED TO TOUCH.

**PANEL MARKING AND NOTCHING**

STANDING SEAM II

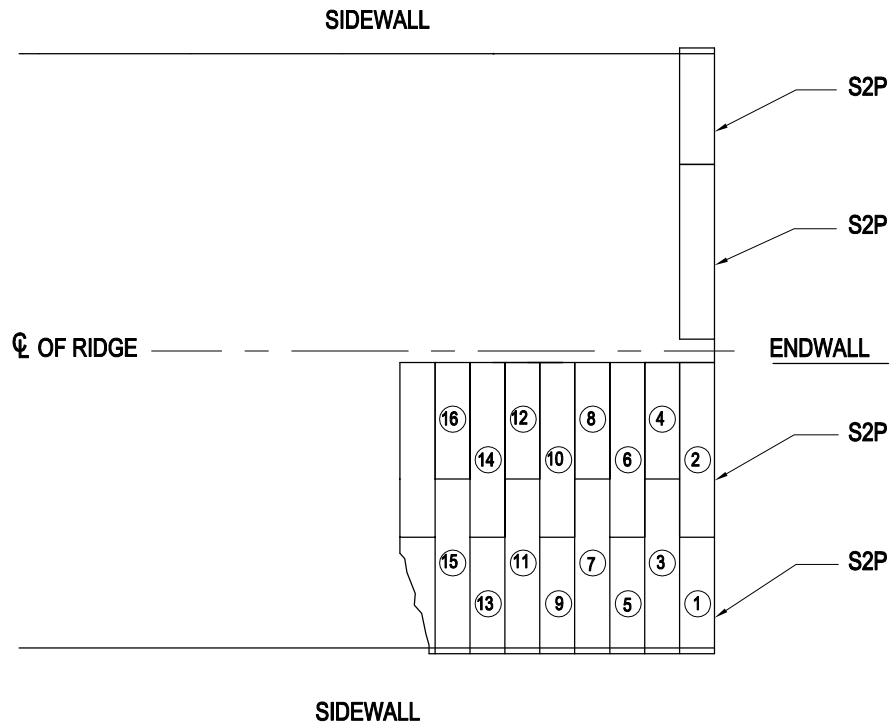
**RC63**

**EA**

[Download the DWG file by clicking here.](#)

Sequence of Roof Panel Erection  
Standing Seam II  
RC64/SA

THE STANDING SEAM ROOF PANELS HAVE BEEN DESIGNED SO THAT BOTH SIDES OF A GABLED BUILDING CAN BE SHEETED SIMULTANEOUSLY.



PANEL STAGGER LAYOUT - TO ASSURE A WATER TIGHT CONNECTION, STANDING SEAM ENDLAPS ARE DESIGNED TO BE STAGGERED FROM ONE PANEL RUN TO THE NEXT. SEE ERECTION DRAWING FOR PROPER ENDLAP LOCATIONS.

## SEQUENCE OF ROOF PANEL ERECTION

STANDING SEAM II

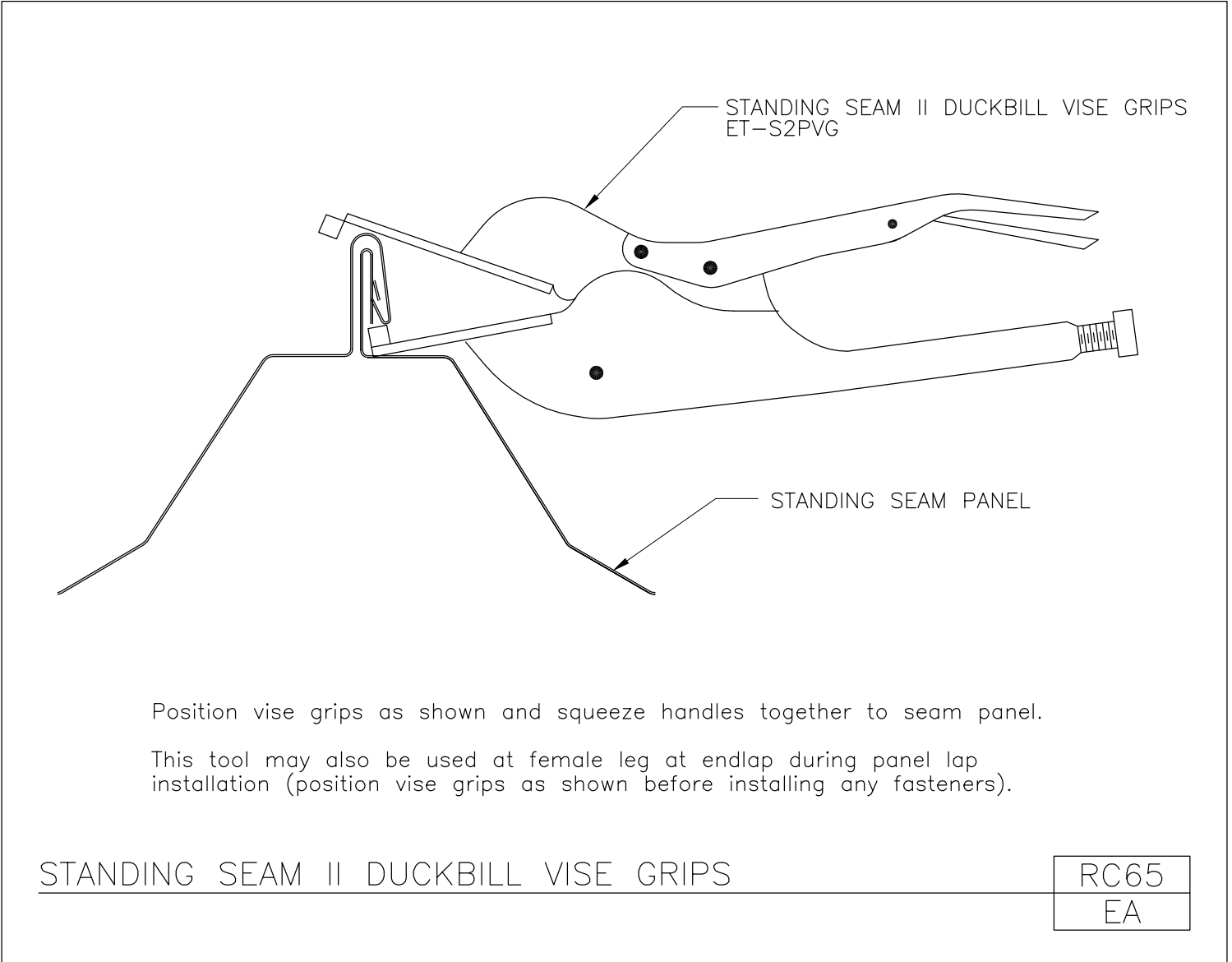
RC64
SA

[Download the DWG file by clicking here.](#)

[To Section Index](#)

## Standing Seam II Duckbill Vise Grips

RC65/EA

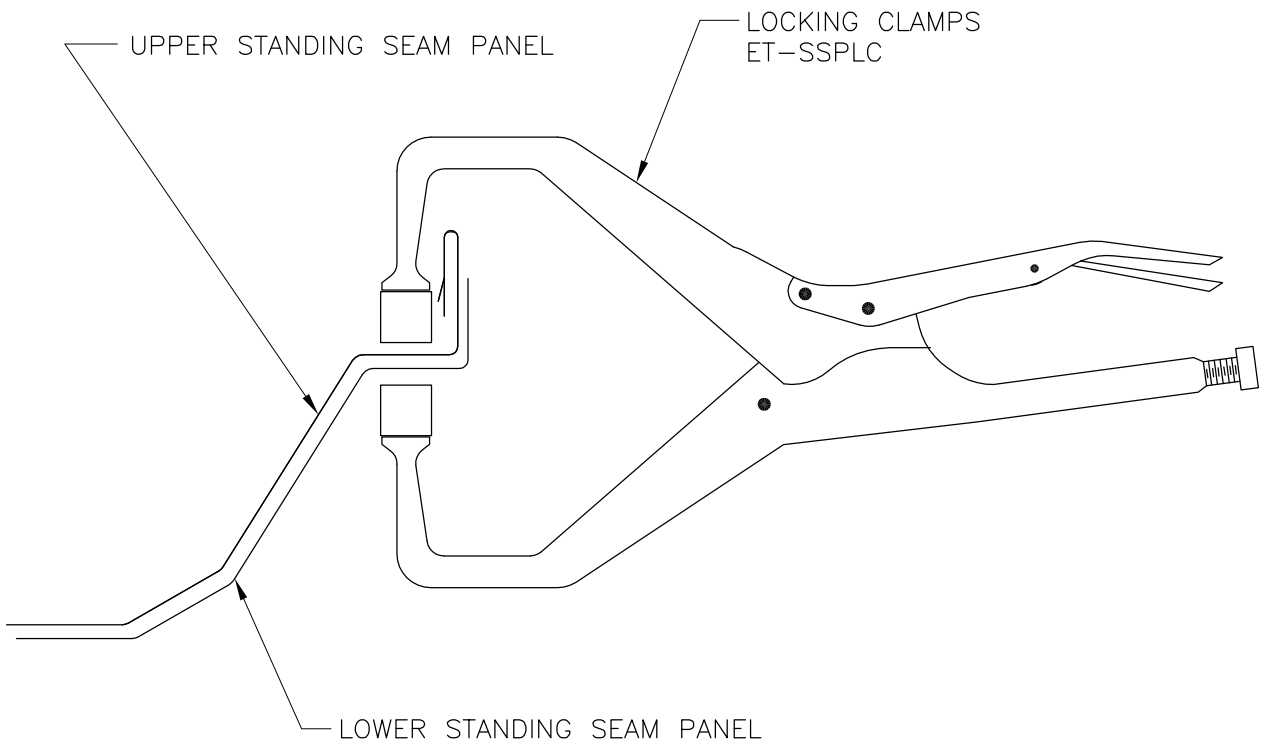


[Download the DWG file by clicking here.](#)

[To Section Index](#)



Clamping Detail at Endlap  
Standing Seam II  
RC66/EA



Clamp male ribs at endlap prior to installing fasteners

CLAMPING DETAIL AT ENDLAP  
STANDING SEAM II

RC66
EA

[Download the DWG file by clicking here.](#)

[To Section Index](#)



**AMERICAN  
BUILDINGS**

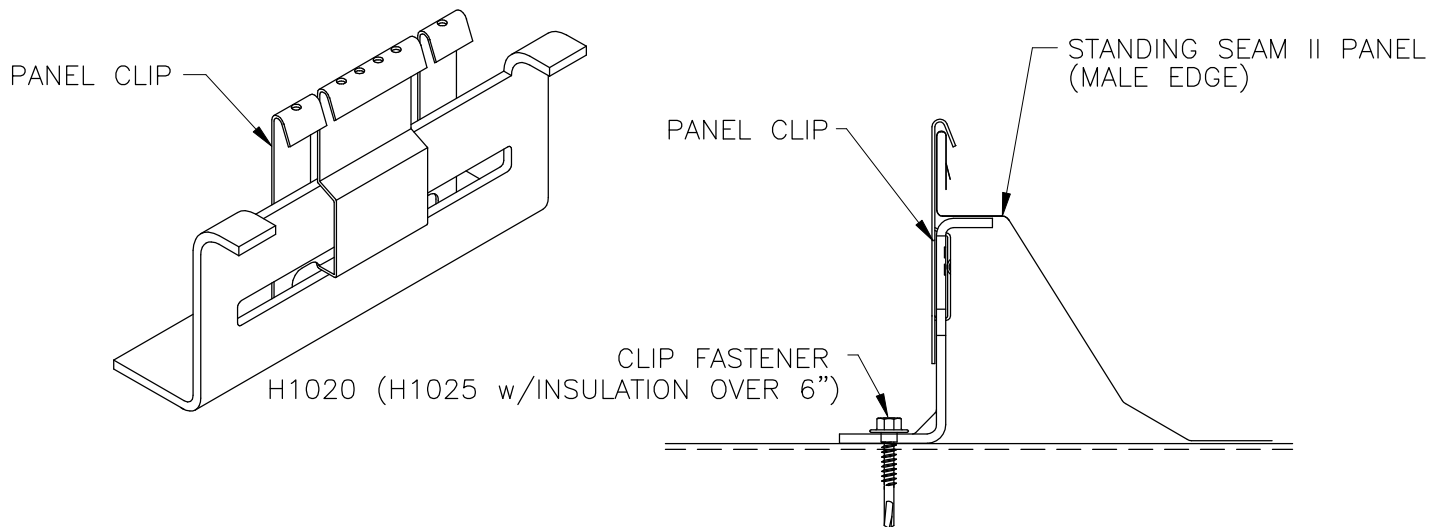
A **NUCOR** COMPANY

# PRODUCT MANUAL

STANDING SEAM ROOF PANEL

## Installation of Panel Clip Standing Seam II RC67/EA

THE STANDING SEAM II PANEL CLIP HAS 0.125"Ø HOLES IN THE TAB TO ALLOW FACTORY APPLIED CAULK IN PANEL TO SEEP THROUGH FORMING A WEATHERTIGHT SEAL.



**NOTE:**

BE CERTAIN THE SLIDING PORTION OF THE CLIP IS CENTERED ON CLIP BASE.

THE CLIP IS THEN INSTALLED OVER THE LEADING OR MALE EDGE OF THE PRECEEDING PANEL. MAKE SURE THAT THE CLIP TAB IS IN POSITION TO SUPPORT THE RIB. SECURE THE CLIP TO THE PURLIN WITH TWO STANDING SEAM CLIP FASTENERS.

INSTALLATION OF PANEL CLIP  
STANDING SEAM II

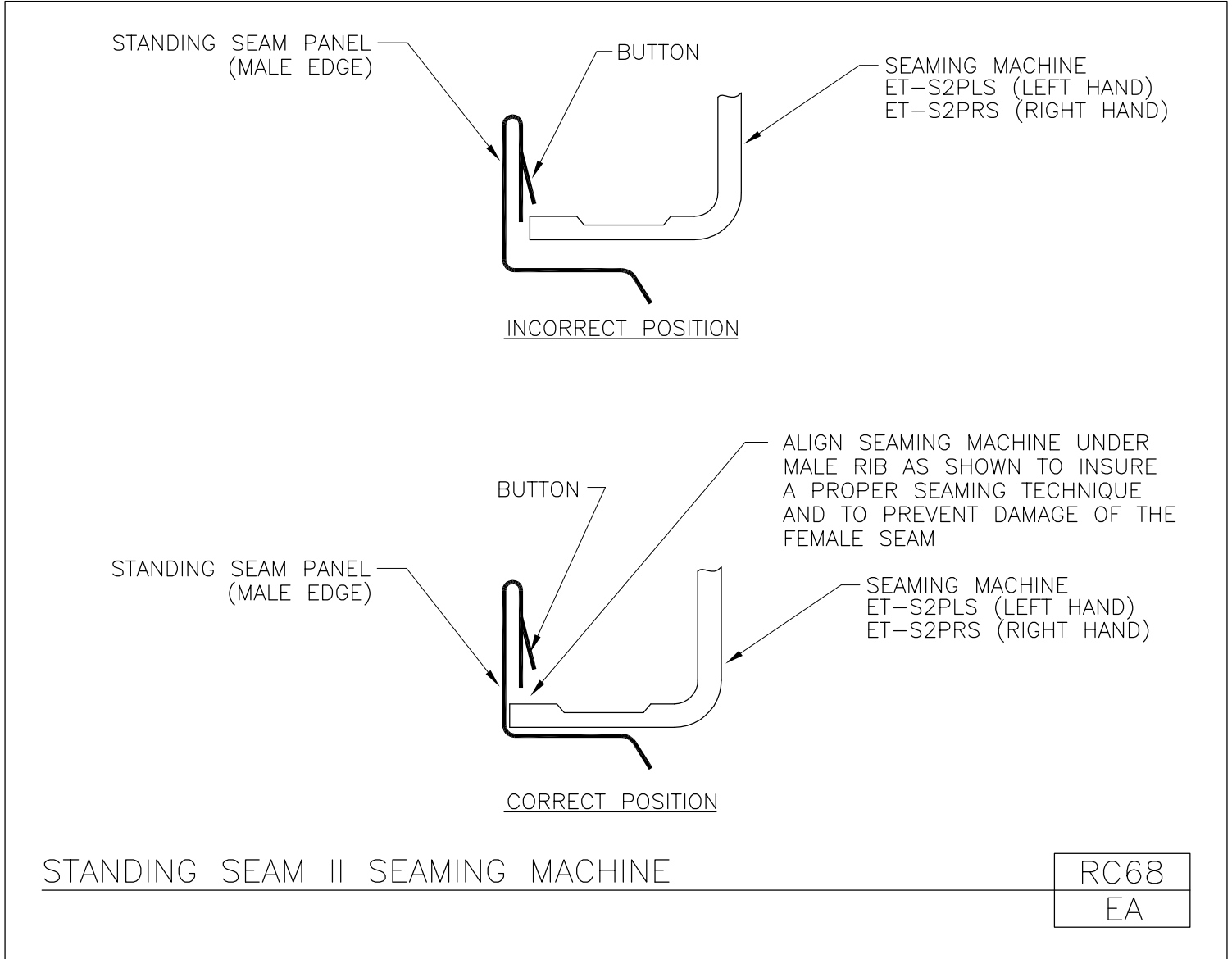
RC67
EA

[Download the DWG file by clicking here.](#)

[To Section Index](#)

Standing Seam II Seaming Machine

RC68/EA

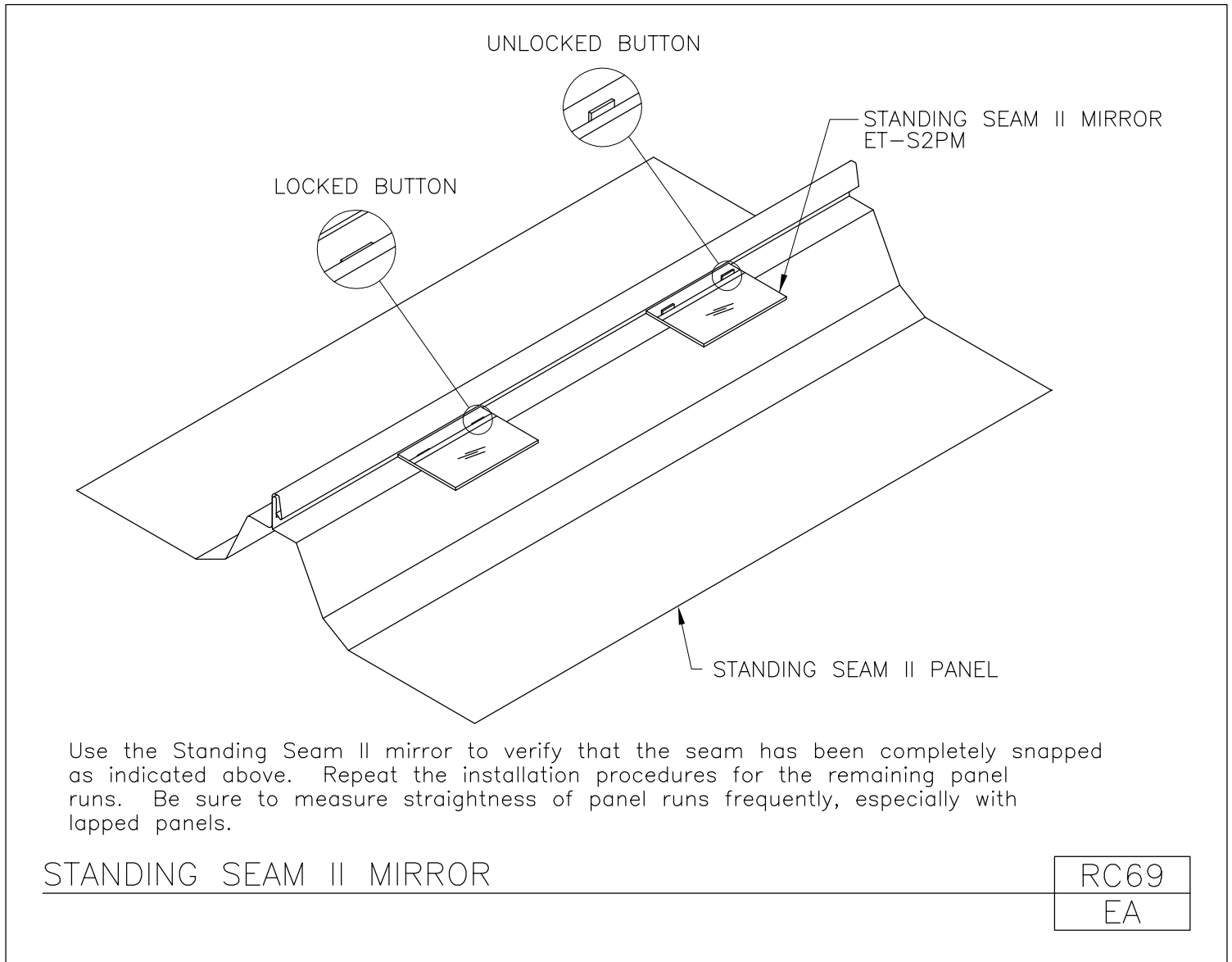


[Download the DWG file by clicking here.](#)

[To Section Index](#)

Standing Seam Mirror

RC69/EA

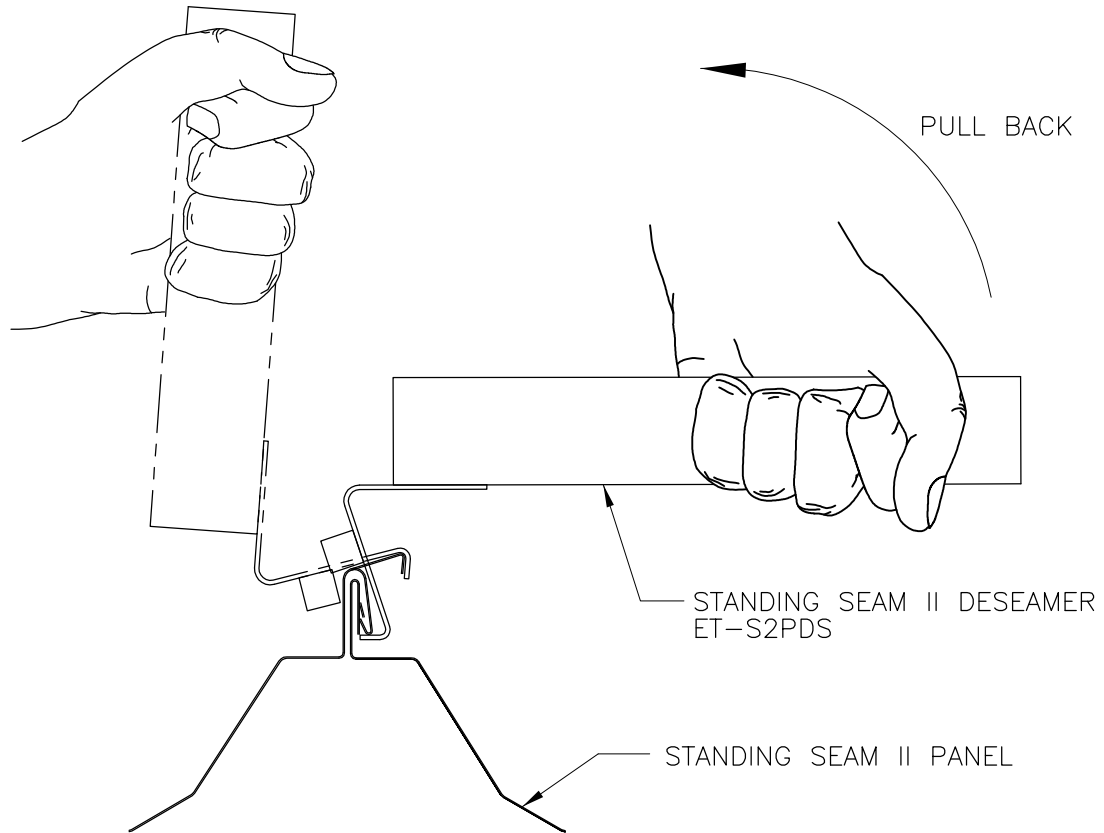


[Download the DWG file by clicking here.](#)

[To Section Index](#)

## Standing Seam II Deseamer

RC76/EA



The Standing Seam II deseamer is used in the event a panel is damaged. The deseamer is hooked under the female leg of panel at seam and pried apart by pulling back on handle separating the female leg from the seam without damaging any of the snaps on the male leg.

STANDING SEAM II DESEAMER

RC76
EA

[Download the DWG file by clicking here.](#)

[To Section Index](#)