

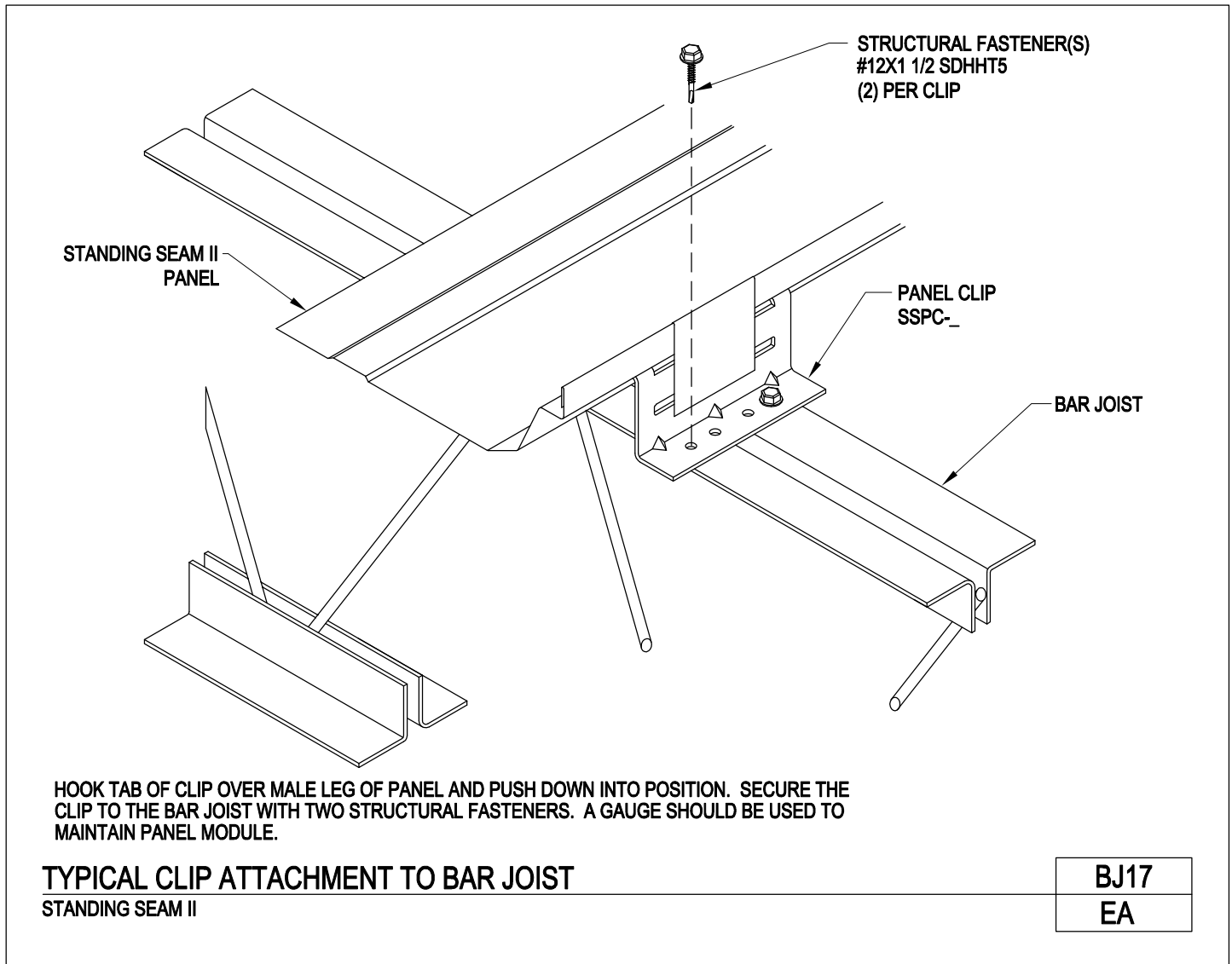
Product Manual - Standing Seam - Bar Joist

[BJ17/EA, Typical Clip Attachment to Bar Joist Standing Seam II](#)

[BJ17/TA, Typical Clip Attachment to Bar Joist Standing Seam 360](#)

[BJOB/AA, General Notes](#)

Typical Clip Attachment to Bar Joist
Standing Seam II
BJ17/EA



[Download the DWG file by clicking here.](#)

[To Section Index](#)



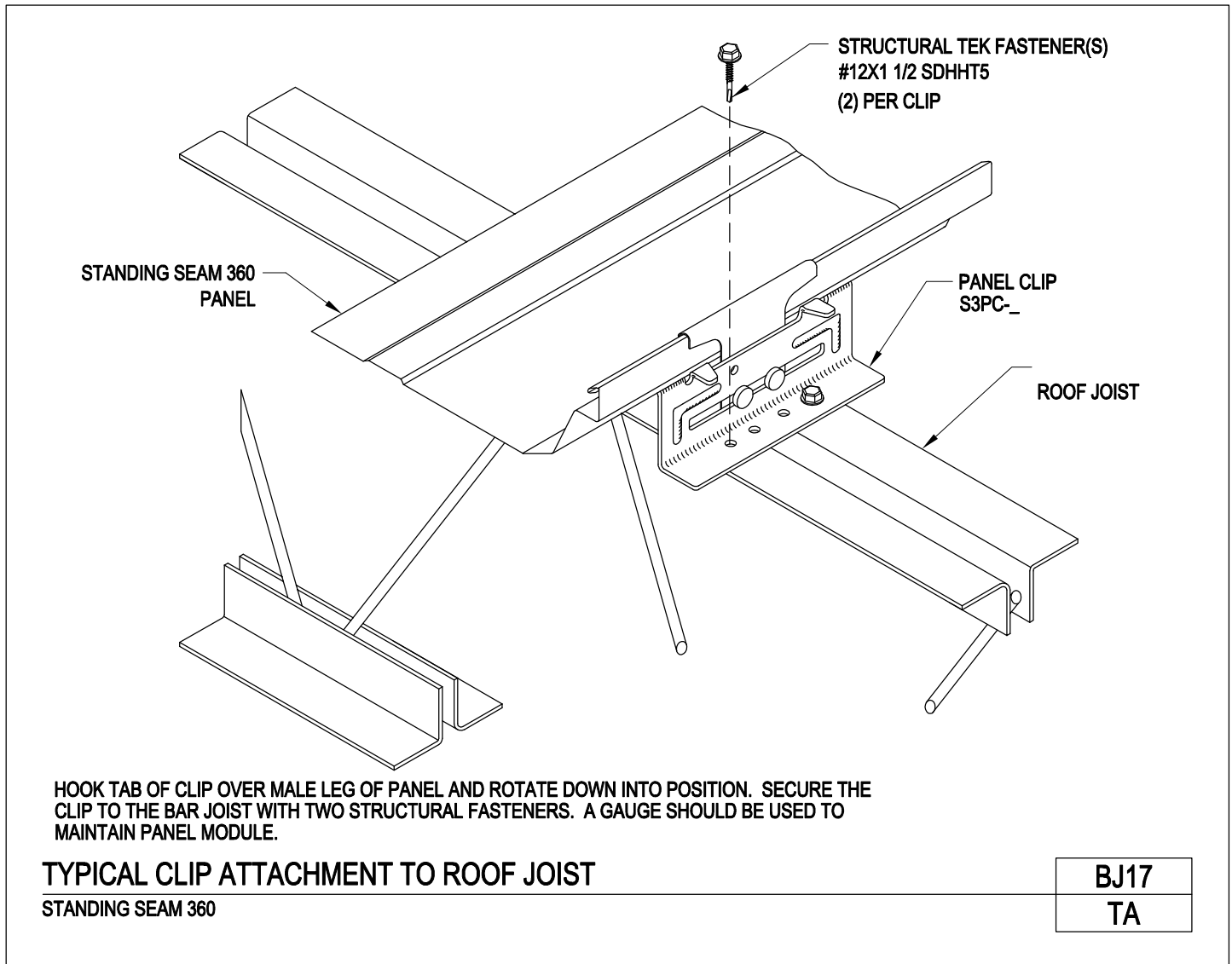
**AMERICAN
BUILDINGS**

A **NUCOR** COMPANY

PRODUCT MANUAL

STANDING SEAM ROOF PANEL

Typical Clip Attachment to Roof Joist
Standing Seam 360
BJ17/TA



[Download the DWG file by clicking here.](#)

[To Section Index](#)

Revised: 7-27-2017

General Notes
Roof Joists
BJOB/AA

1. See detail BJOAAA,
****IMPORTANT NOTICE FOR THE HANDLING AND ERECTION OF STEEL JOISTS****
2. Bridging to be specified by the roof joist supplier.
3. Insulation not shown in these details for clarity.
4. Bracing attachment and clip orientation will vary according to joist size and rafter depth. See erection drawings for specific frame brace connection.

GENERAL NOTES

Roof Joists

BJOB
AA

[Download the DWG file by clicking here.](#)

[To Section Index](#)