

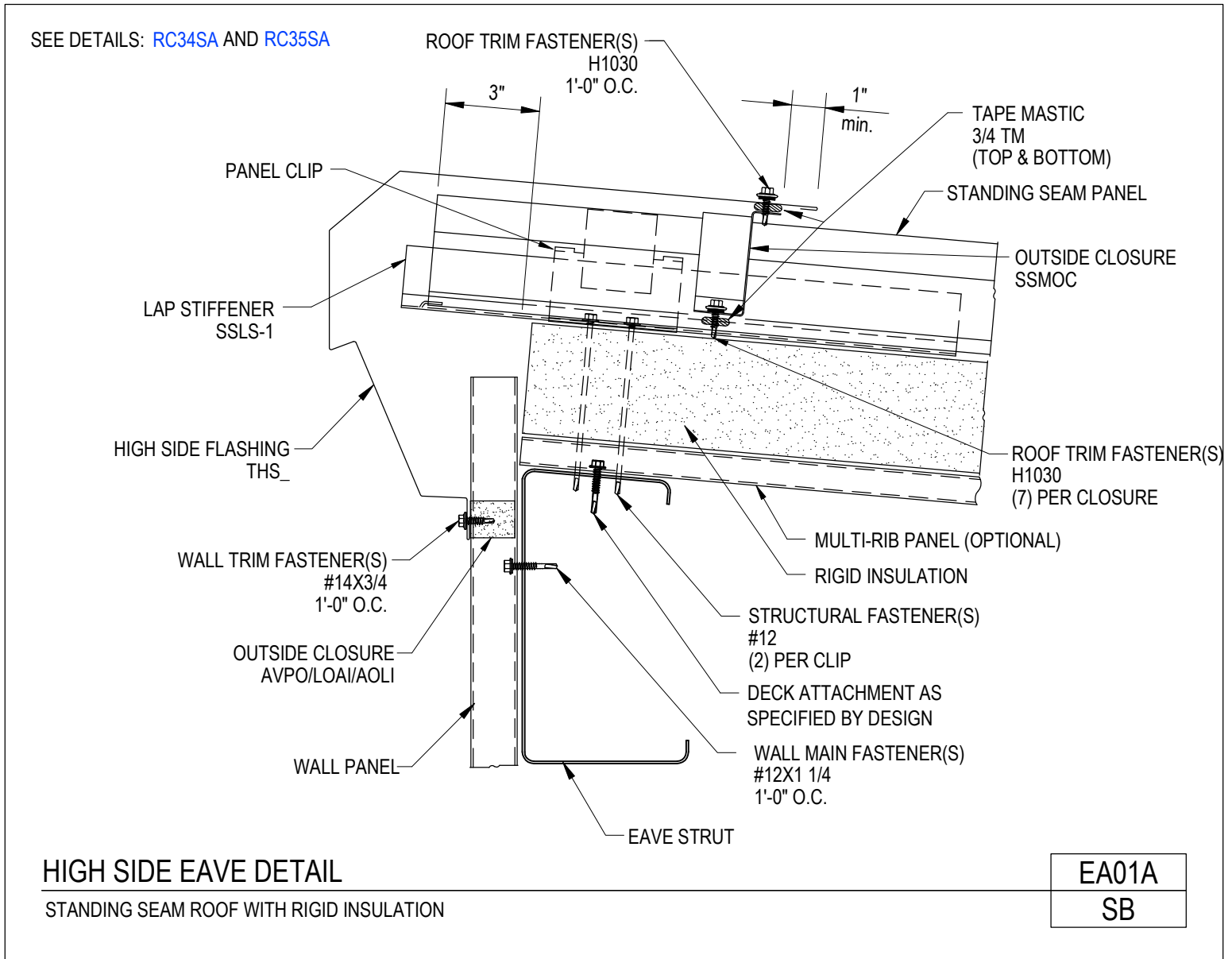
# Product Manual - Standing Seam Panels - Eave

---

EA01A/SB, High Side Eave Detail  
EA01/AA, Standard Gutter Detail with Gutter Clip Attachment  
EA01C/AA, Standard Gutter Detail with Gutter Clip Attachment  
EA01CA/AO, Standard Gutter Detail at Overhang  
EA01CB/AO, Oversize Gutter Detail at Overhang  
EA01E/AA, Oversize Gutter Detail  
EA01E/AO, Oversize Gutter Detail at Open Sidewall  
EA01T/SB, Eave Detail  
EA03/AA, Deluxe Eave Flashing Installation  
EA03A/AO, Deluxe Eave Flashing Installation  
EA03/AO, Deluxe Eave Flashing Installation at Open Sidewall  
EA03CA/AO, Deluxe Eave Flashing Installation  
EA04A/SO, Section at Eave  
EA04CA/SO, Section at Eave  
EA04CF/SB, Cleated Eave  
EA04C/SB, Section at Eave with Thermal Block  
EA04C/SD, Section at Eave with Thermal Block  
EA04/SB, Section at Eave Without Thermal Blocks  
EA04/SD, Section at Eave Without Thermal Blocks  
EA04/SO, Section at Eave  
EA05A/SO, Highside Eave Flashing Attachment  
EA05CA/SO, Highside Eave Flashing Attachment  
EA05C/SB, Highside Eave Flashing Attachment with Thermal Block  
EA05/SB, Highside Eave Flashing Attachment  
EA05/SO, Highside Eave Flashing Attachment  
EA06/SA, Roof to Wall Transition at Existing Eave  
EA10/AA, Eave Support Flashing Attachment  
EA10/AD, Eave Support Flashing Attachment  
EA10C/AA, Thermal Eave Support Flashing Attachment  
EA10C/AD, Thermal Eave Support Flashing Attachment  
EA11/AA, Roof Sheeting Prior to Wall Sheeting Instructions  
EA11/SB, Roof to Wall Transition at High Side  
EA11/SD, Roof to Wall Transition at High Side  
EA11/SW, Roof to Wall Transition at High Side  
EA21A/SO, Ice & Snow Eave Detail w/ Deluxe Eave Flashing  
EA21CA/SO, Ice & Snow Eave Detail w/ Deluxe Eave Flashing  
EA21C/SB, Ice & Snow Eave Detail w/ Deluxe Eave Flashing & Thermal Block

EA21C/SD, Ice & Snow Eave Detail w/ Deluxe Eave Flashing & Thermal Block  
EA21/SB, Ice & Snow Eave Detail w/ Deluxe Eave Flashing  
EA21/SD, Ice & Snow Eave Detail w/ Deluxe Eave Flashing  
EA22A/SO, Ice & Snow Eave Detail  
EA22CA/SO, Ice & Snow Detail  
EA22C/SB, Ice & Snow Eave Detail w/ Thermal Blocks (TB1T) at Purlins  
EA22C/SD, Ice & Snow Detail w/ Thermal Blocks (TB1T) at Purlins  
EA22/SB, Ice & Snow Eave Detail  
EA22/SD, Ice & Snow Eave Detail  
EA24A/SO, Ice & Snow Eave Detail w/ Standard Gutter  
EA24CA/SO, Ice & Snow Eave Detail w/ Standard Gutter  
EA24C/SA, Ice & Snow Eave Detail w/ Standard Gutter  
EA24/SA, Ice & Snow Eave Detail w/ Standard Gutter  
EA25A/SO, Ice & Snow Eave Detail w/ Oversize Gutter  
EA25CA/SO, Ice & Snow Eave Detail w/ Oversize Gutter  
EA25C/SA, Ice & Snow Eave Detail w/ Oversize Gutter  
EA25/SA, Ice & Snow Eave Detail w/ Oversize Gutter  
EA26C/SA, Fastener Installation at Eave Strut w/ Ice & Snow  
EA26/SA, Fastener Installation at Eave Support  
EA27/SA, Low Eave Caulk Detail  
EA28/AB, Mastic and Insulation Application at Eave  
EA28C/AB, Mastic and Insulation Application at Eave  
EA28/SO, Mastic and Insulation at Eave  
EA36A/SO, Inside Metal Closure Installation at High Side Eave  
EA36/TA, Inside Metal Closure Installation  
EA38/AA, Eave Member Type at Low Side  
EA38A/AA, Eave Member Type at Low Side  
EA38B/AA, Eave Member Type at High Side  
EA38BA/AA, Eave Member Type at High Side  
EO28C/SO, Mastic and Insulation Application at Eave  
EO28/SO, Mastic and Insulation Application at Eave  
WEA11/SB, Roof to Wall Transition at Highside  
WEA11/SD, Roof to Wall Transition at Highside  
WEA11/SW, Roof to Wall Transitions at Highside

High Side Eave Detail  
Standing Seam Roof with Rigid Insulation  
EA01A/SB



[Download the DWG file by clicking here.](#)

[To Section Index](#)



# AMERICAN BUILDINGS

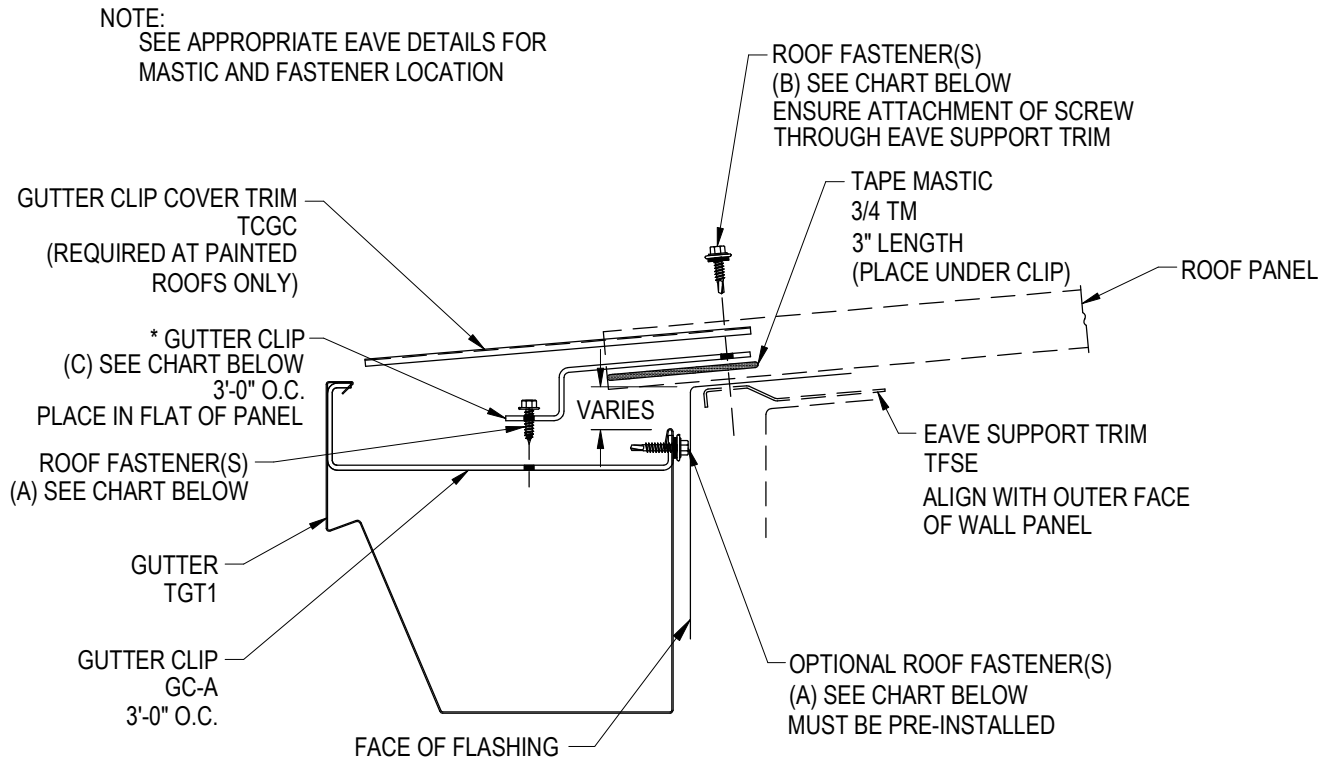
A NUCOR COMPANY

# PRODUCT MANUAL

STANDING SEAM ROOF PANEL

## Standard Gutter Detail with Gutter Clip Attachment

EA01/AA



ROOF PANEL	ROOF FASTENER (A) (1) PER CLIP	ROOF FASTENER (B) (1) PER CLIP	GUTTER CLIP (C)
LOC SEAM (LOC)	#14X3/4 SDRF	H1030	CGB_
STANDING SEAM (S2P, S3P)	#14X3/4 SDRF	H1030	CGB_

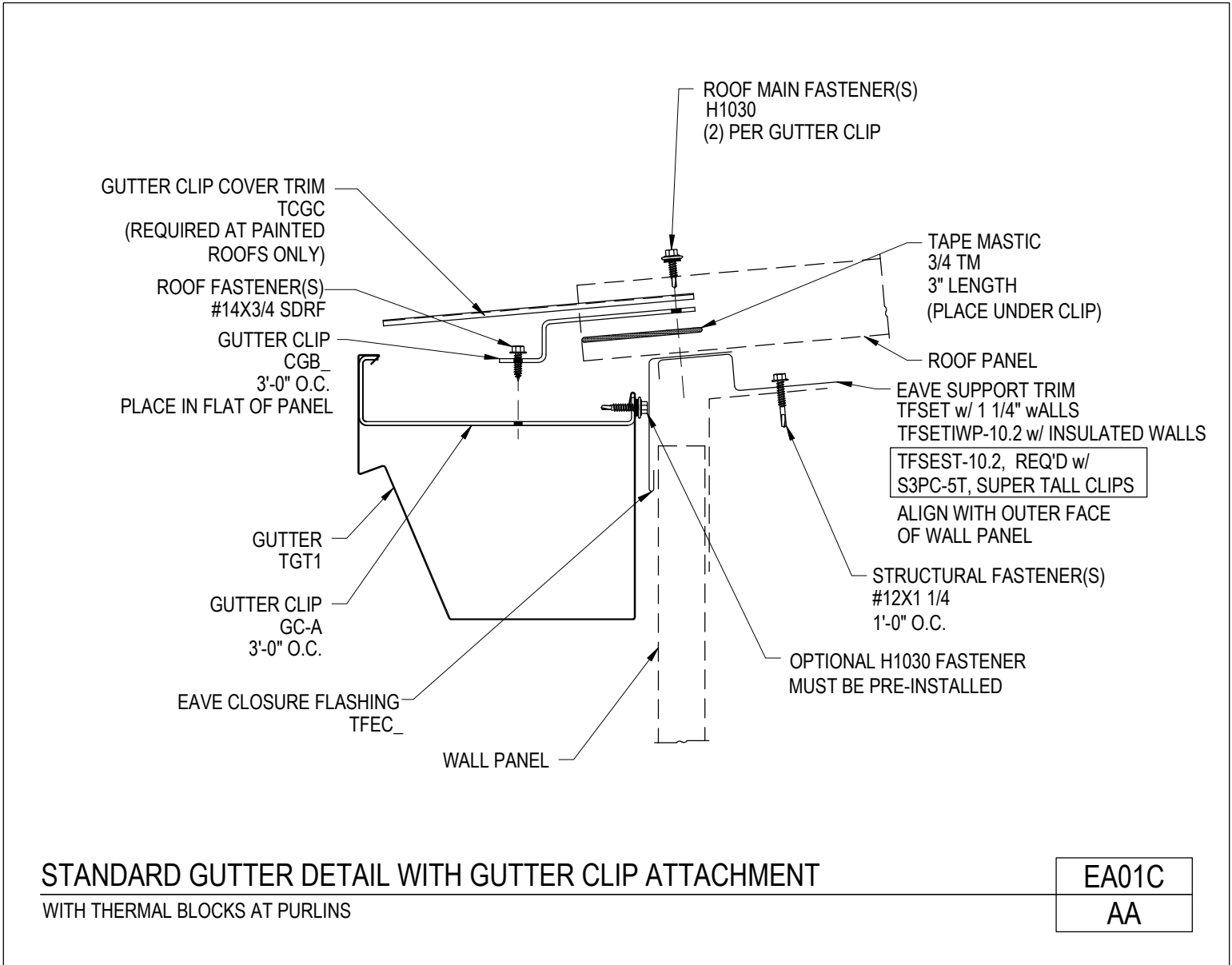
## STANDARD GUTTER DETAIL

EA01
AA

[Download the DWG file by clicking here.](#)

[To Section Index](#)

Standard Gutter Detail with Gutter Clip Attachment  
With Thermal Blocks  
EA01C/AA



[Download the DWG file by clicking here.](#)



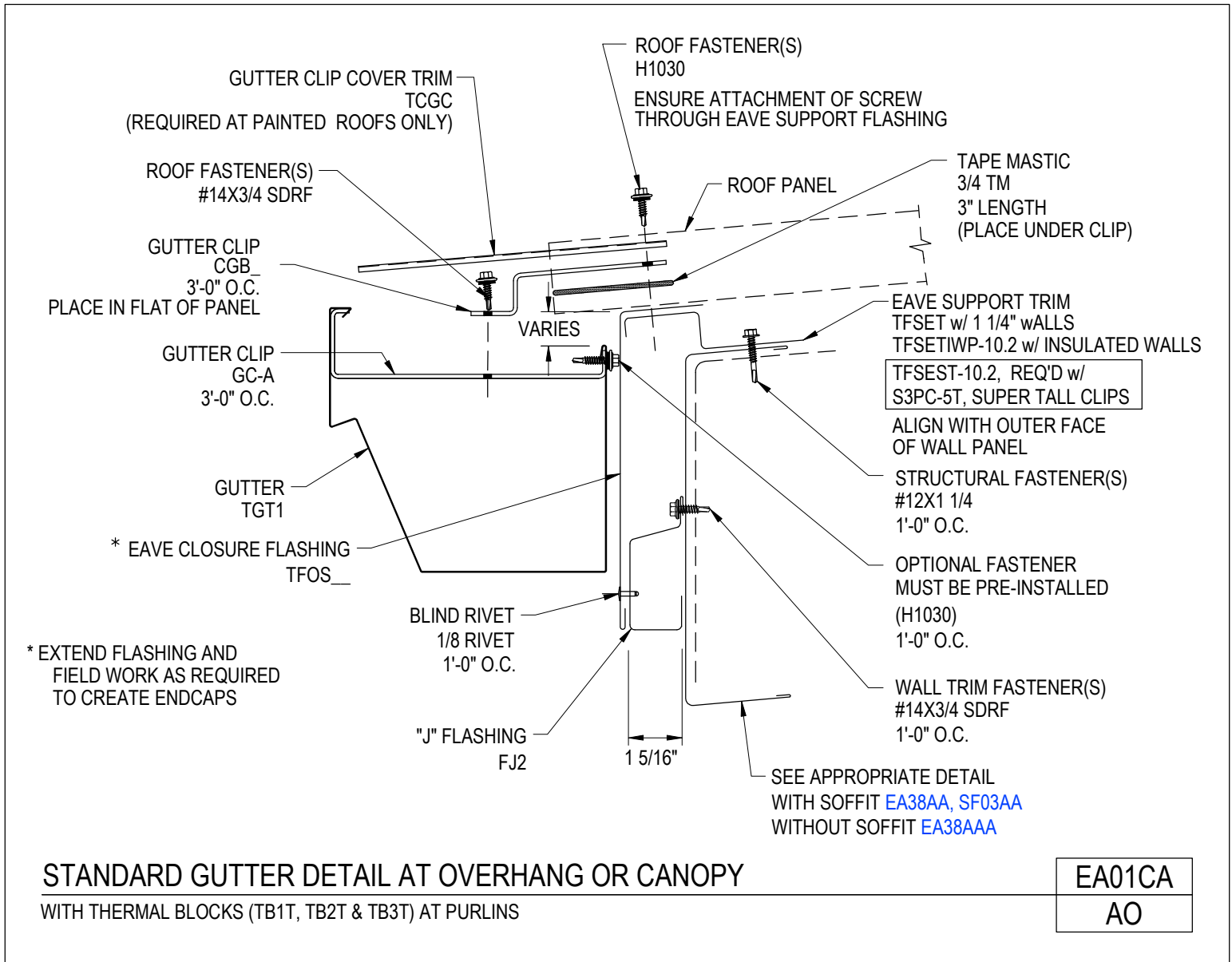
**AMERICAN BUILDINGS**

A **NUCOR** COMPANY

# PRODUCT MANUAL

STANDING SEAM ROOF PANEL

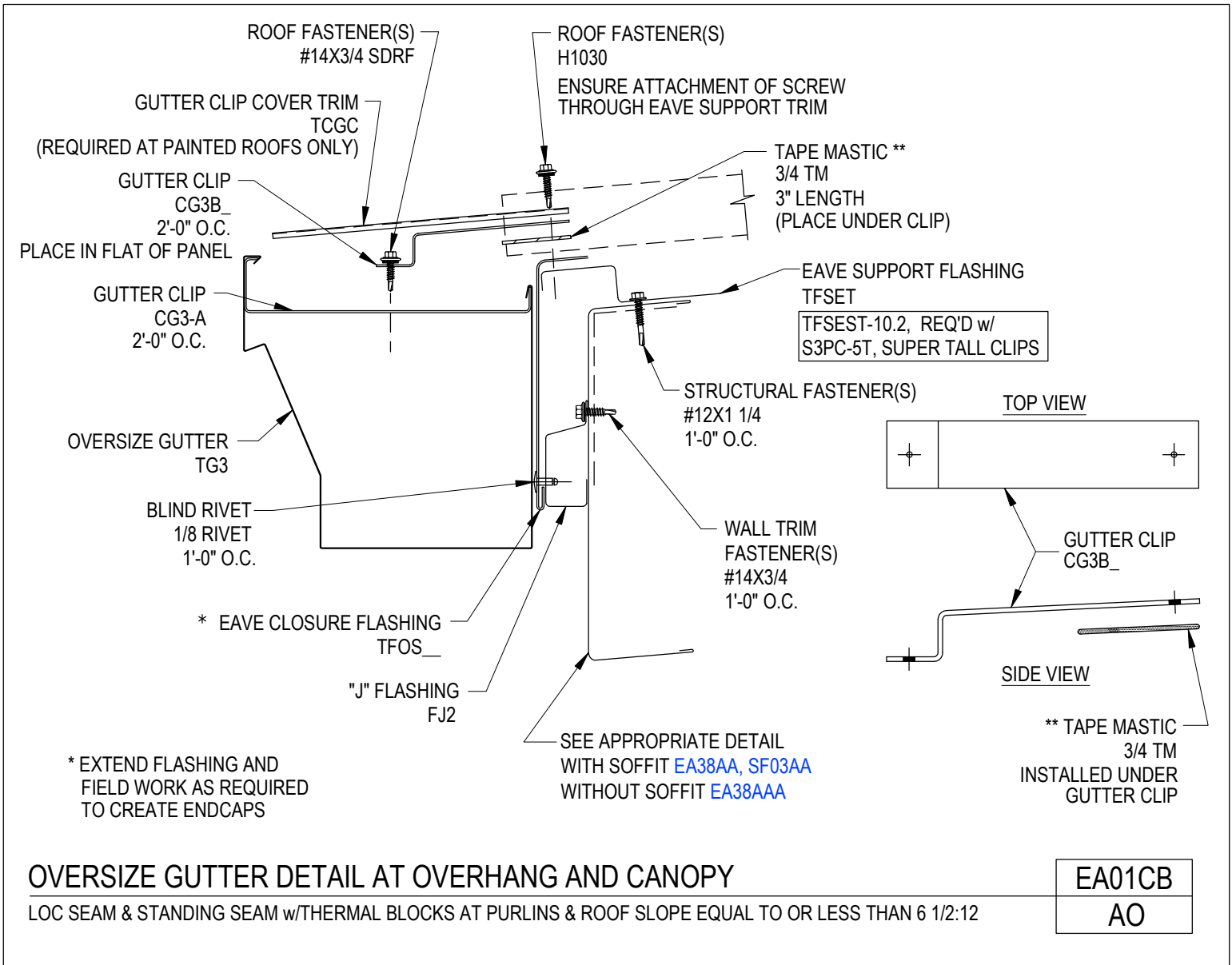
Standard Gutter Detail at Overhang  
With Thermal Blocks (TB1T, TB2T, & TB3T) at Purlins  
EA01CA/AO



[Download the DWG file by clicking here.](#)

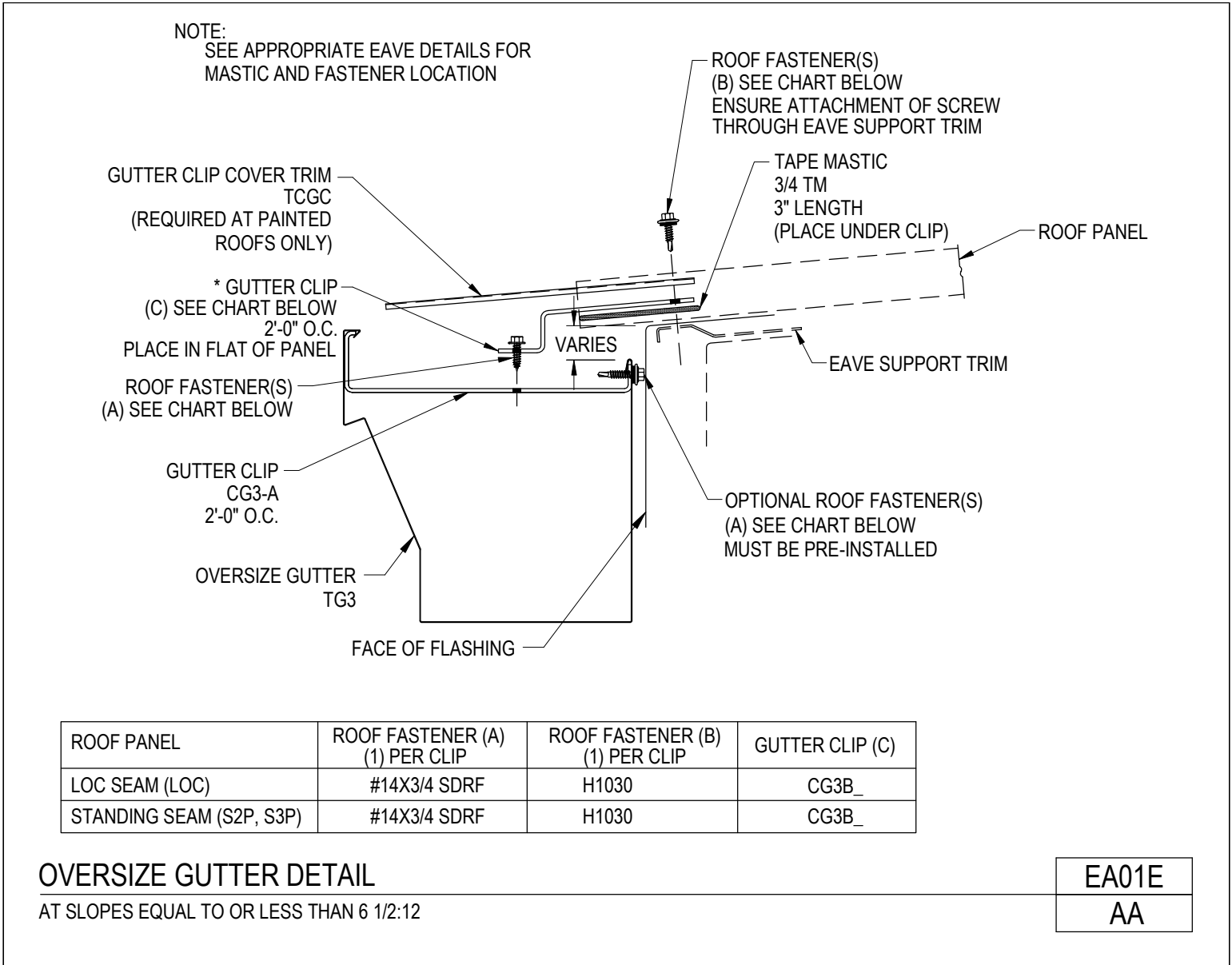
[To Section Index](#)

**Oversize Gutter Detail at Overhang**  
With Thermal Block at Roof Slopes Equal to or Less Than 6"1/2:12 - Standing Seam and Loc Seam Roof Panels  
EA01CB/AO



[Download the DWG file by clicking here.](#)

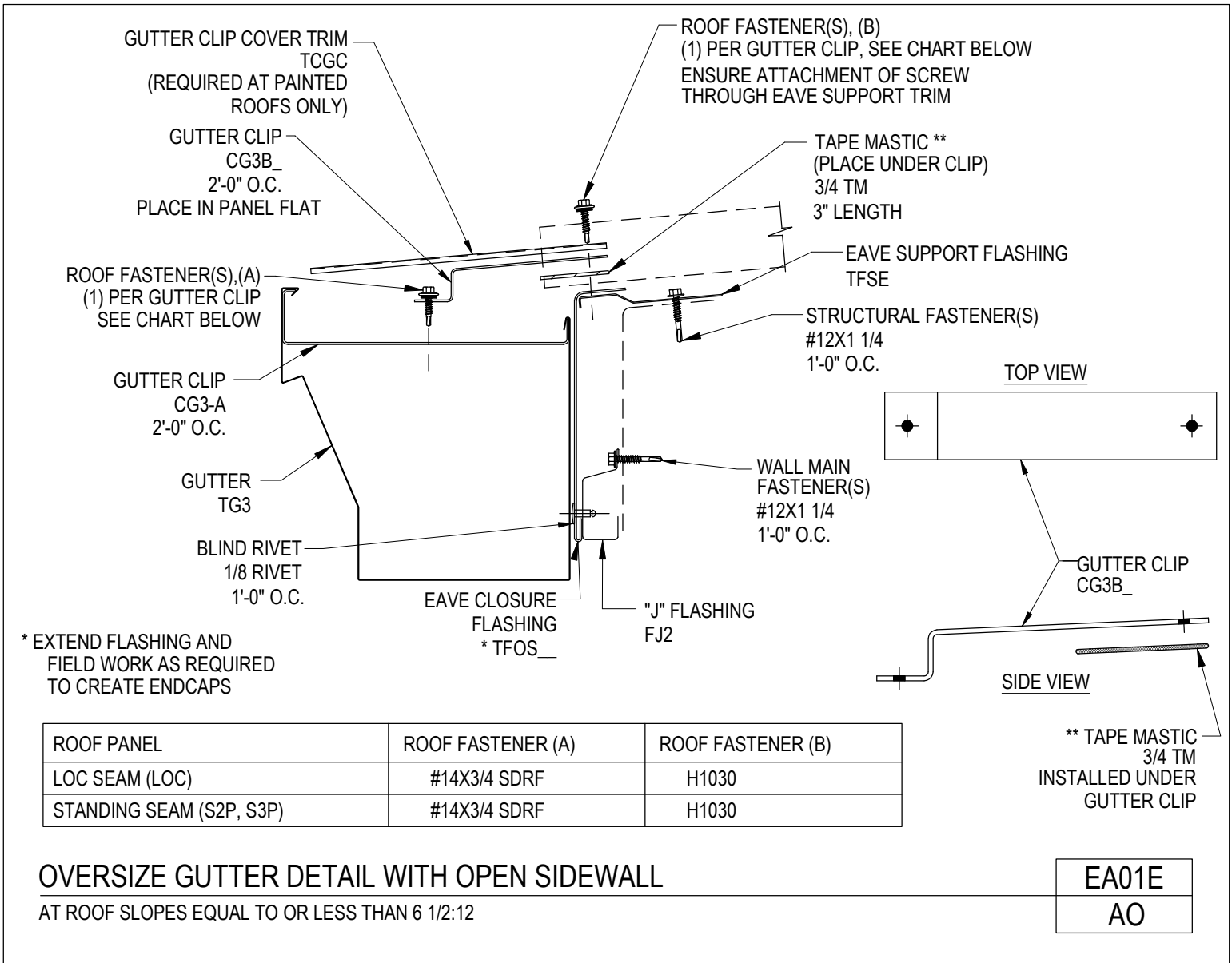
**Oversize Gutter Detail**  
All Slopes Equal to or Less Than 6 1/2:12  
EA01E/AA



[Download the DWG file by clicking here.](#)



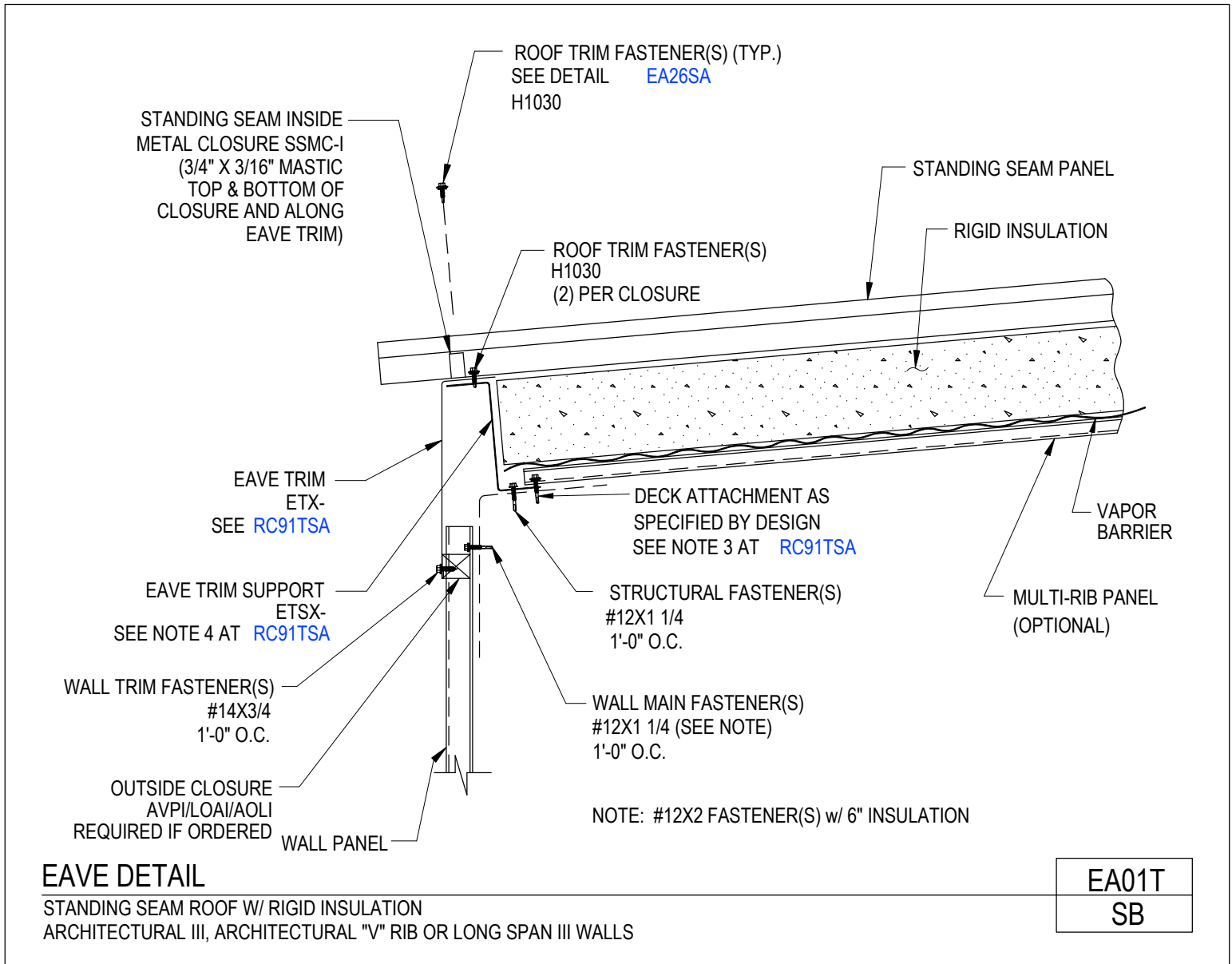
Oversize Gutter Detail With Open Sidewall  
All Slopes Equal to or Less Than 6 1/2:12  
EA01E/AO



[Download the DWG file by clicking here.](#)

Eave Detail

Standing Seam Roof w/ Rigid Insulation - Architectural III, Architectural "V" Rib or Long Span II Walls  
EA01T/SB

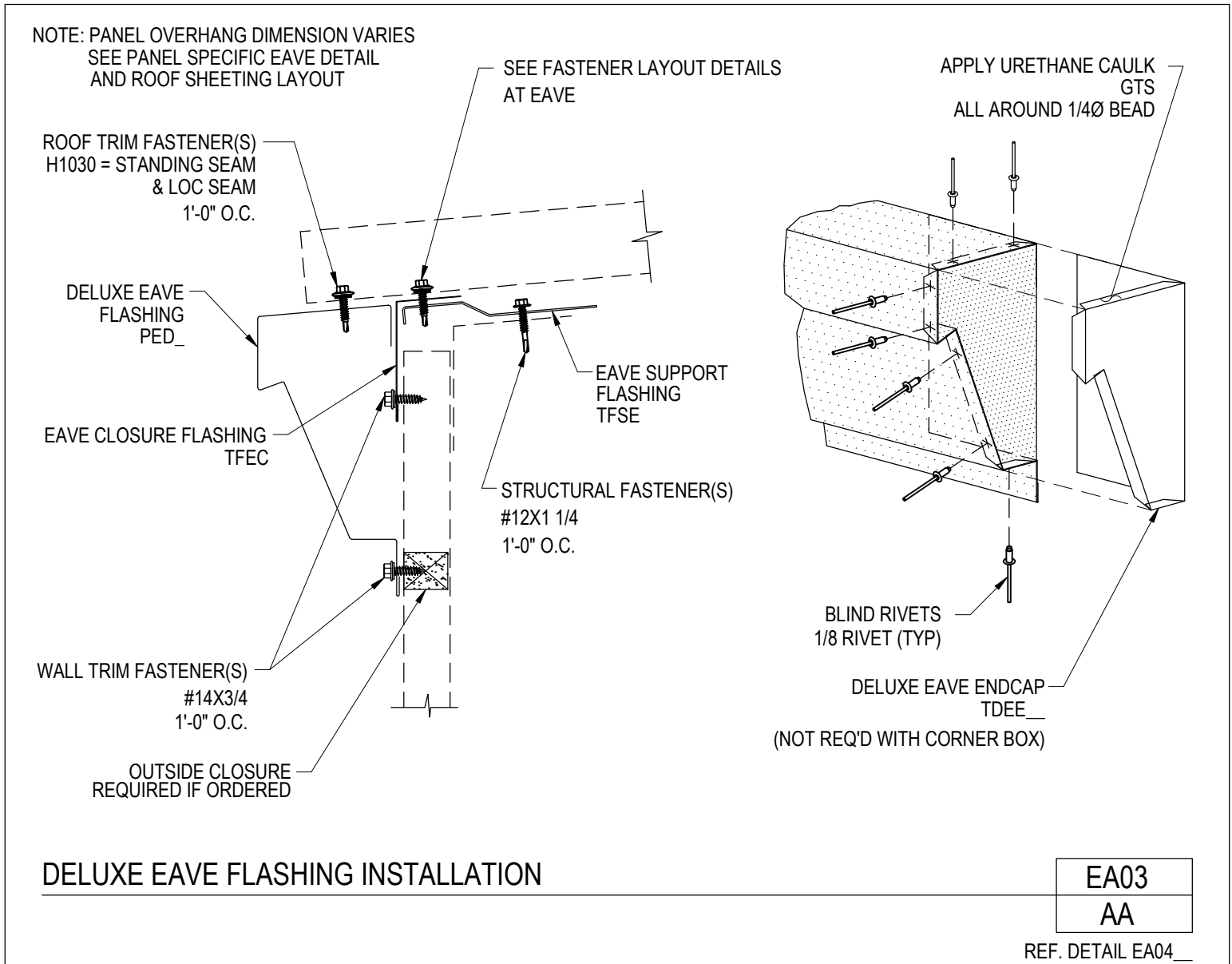


[Download the DWG file by clicking here.](#)

[To Section Index](#)

Deluxe Eave Flashing Installation

EA03/AA

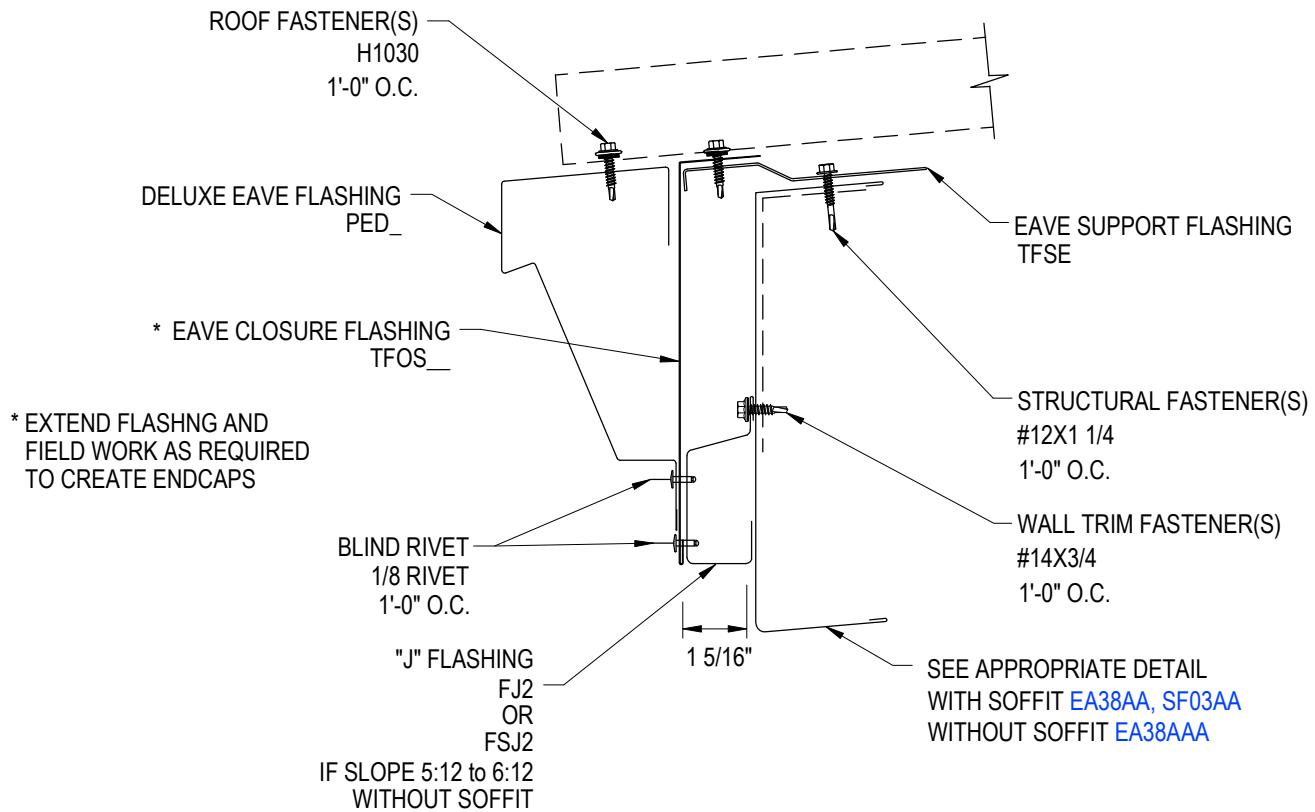


[Download the DWG file by clicking here.](#)

[To Section Index](#)

Deluxe Eave Flashing Installation  
At Overhang  
EA03A/AO

NOTE: PANEL OVERHANG DIMENSION VARIES  
SEE PANEL SPECIFIC EAVE DETAIL  
AND ROOF SHEETING LAYOUT



**DELUXE EAVE FLASHING INSTALLATION**

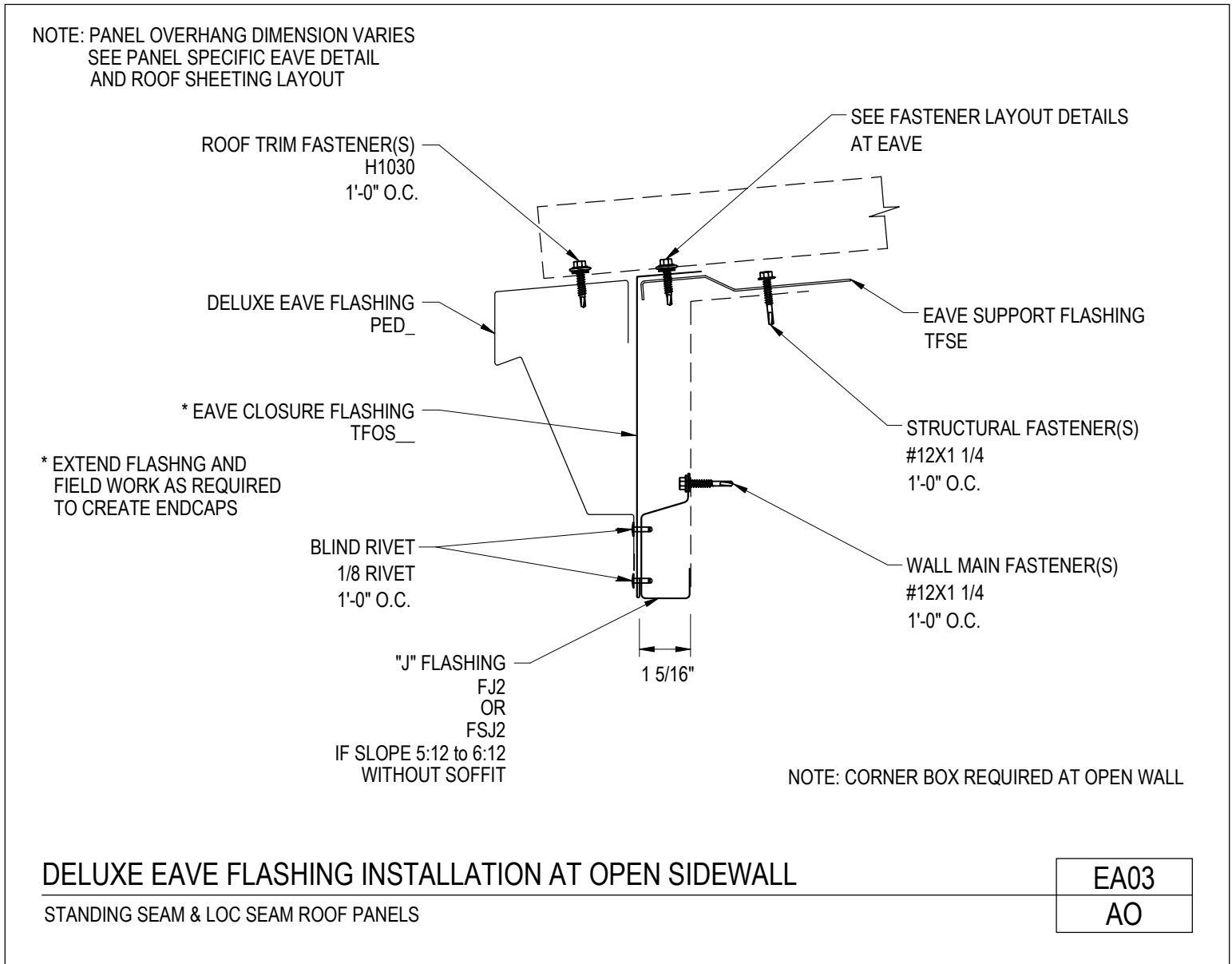
AT OVERHANG AND CANOPY

EA03A
AO

[Download the DWG file by clicking here.](#)

## Deluxe Eave Flashing Installation at Open Sidewall

EA03/AO

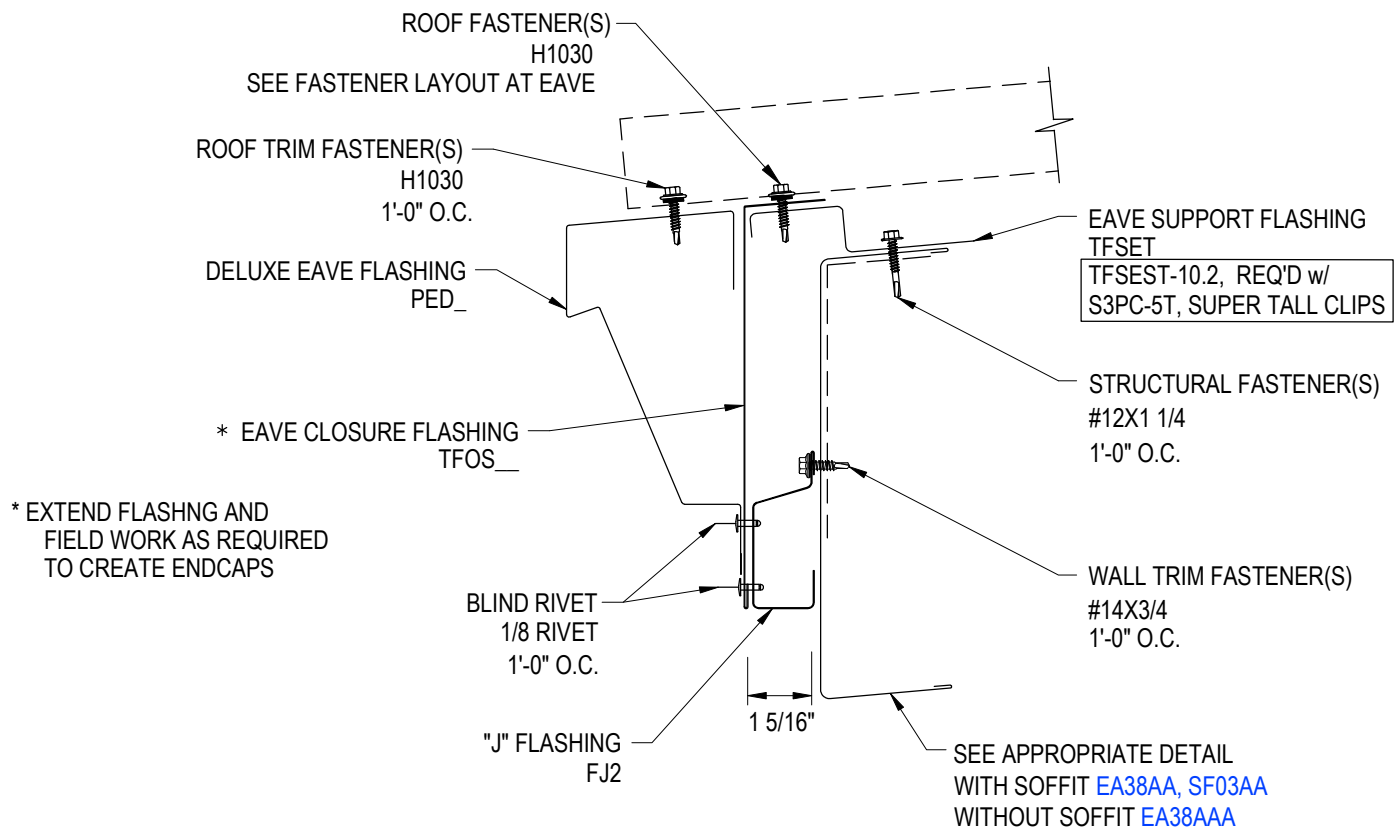


[Download the DWG file by clicking here.](#)

[To Section Index](#)

Deluxe Eave Flashing Installation  
At Overhang w/ Thermal Blocks (TB1T, TB2T, OR TB3T) at Purlins  
EA03CA/AO

NOTE: PANEL OVERHANG DIMENSION VARIES  
SEE PANEL SPECIFIC EAVE DETAIL  
AND ROOF SHEETING LAYOUT



**DELUXE EAVE FLASHING INSTALLATION**

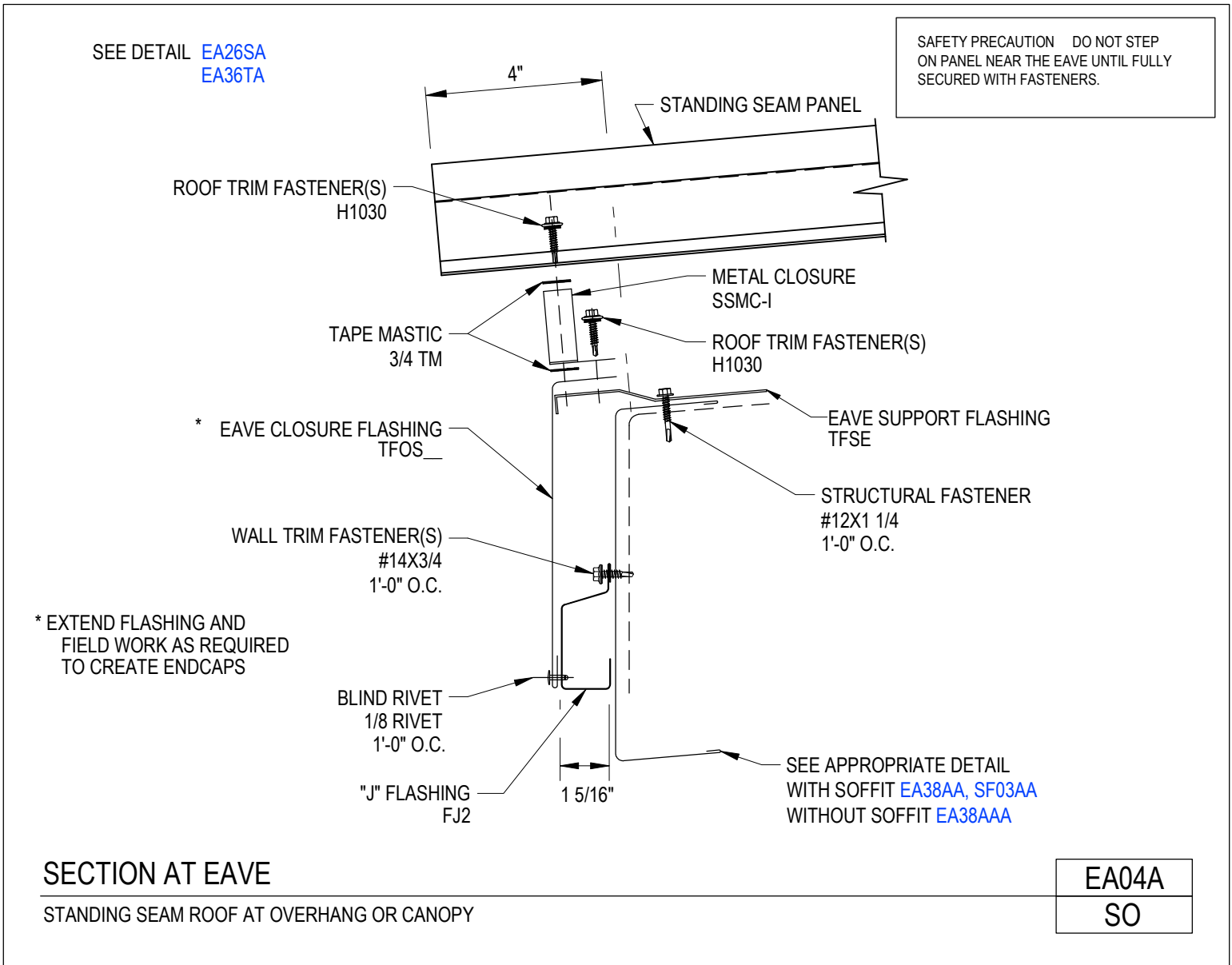
AT OVERHANG AND CANOPY w/ THERMAL BLOCKS (TB1T, TB2T OR TB3T) AT PURLINS

EA03CA  
AO

[Download the DWG file by clicking here.](#)

[To Section Index](#)

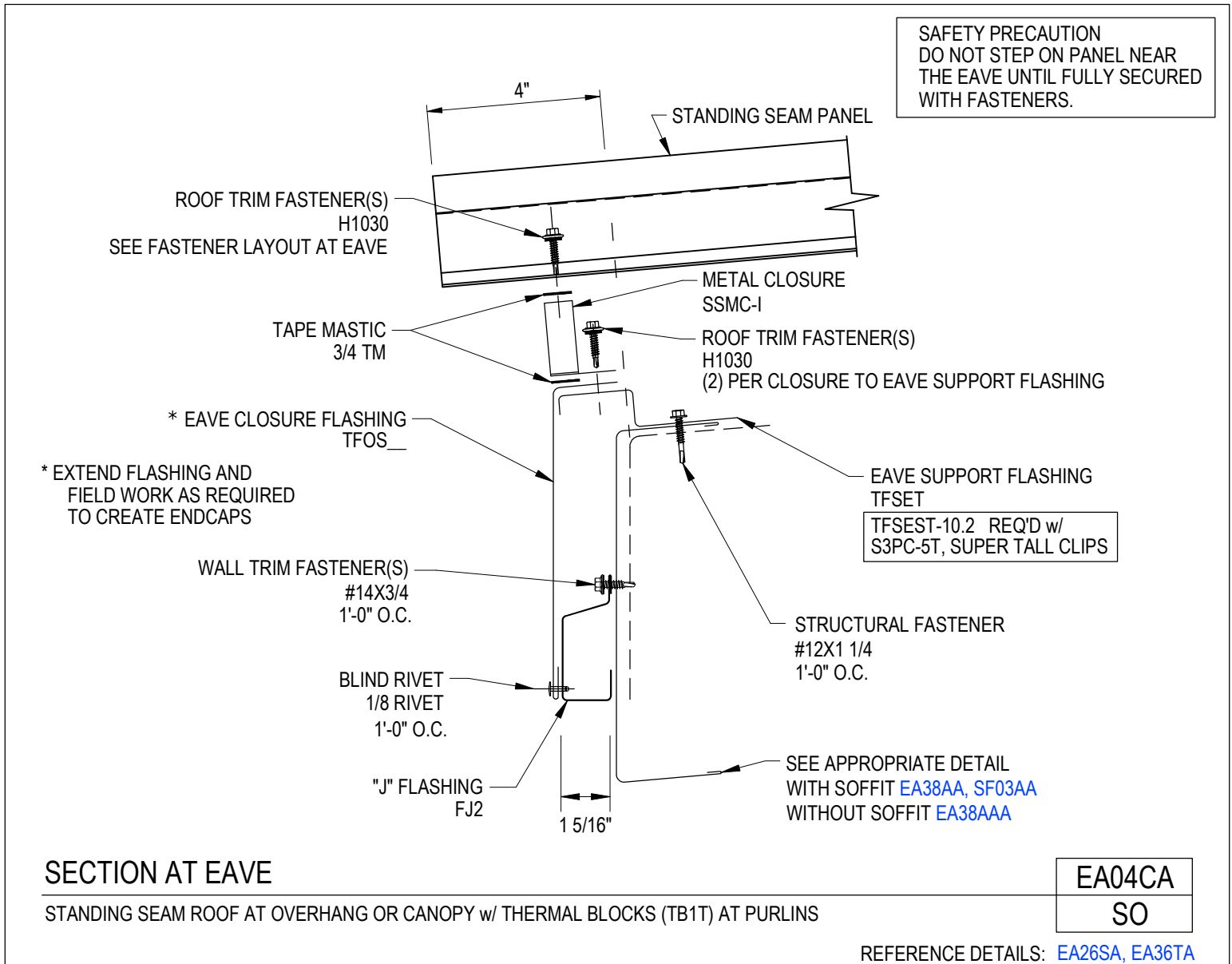
Section at Eave  
Standing Seam Roof at Overhang  
EA04A/SO



[Download the DWG file by clicking here.](#)

[To Section Index](#)

Section at Eave  
Standing Seam Roof at Overhang w/ Thermal Blocks (TBT1) at Purlins  
EA04CA/SO

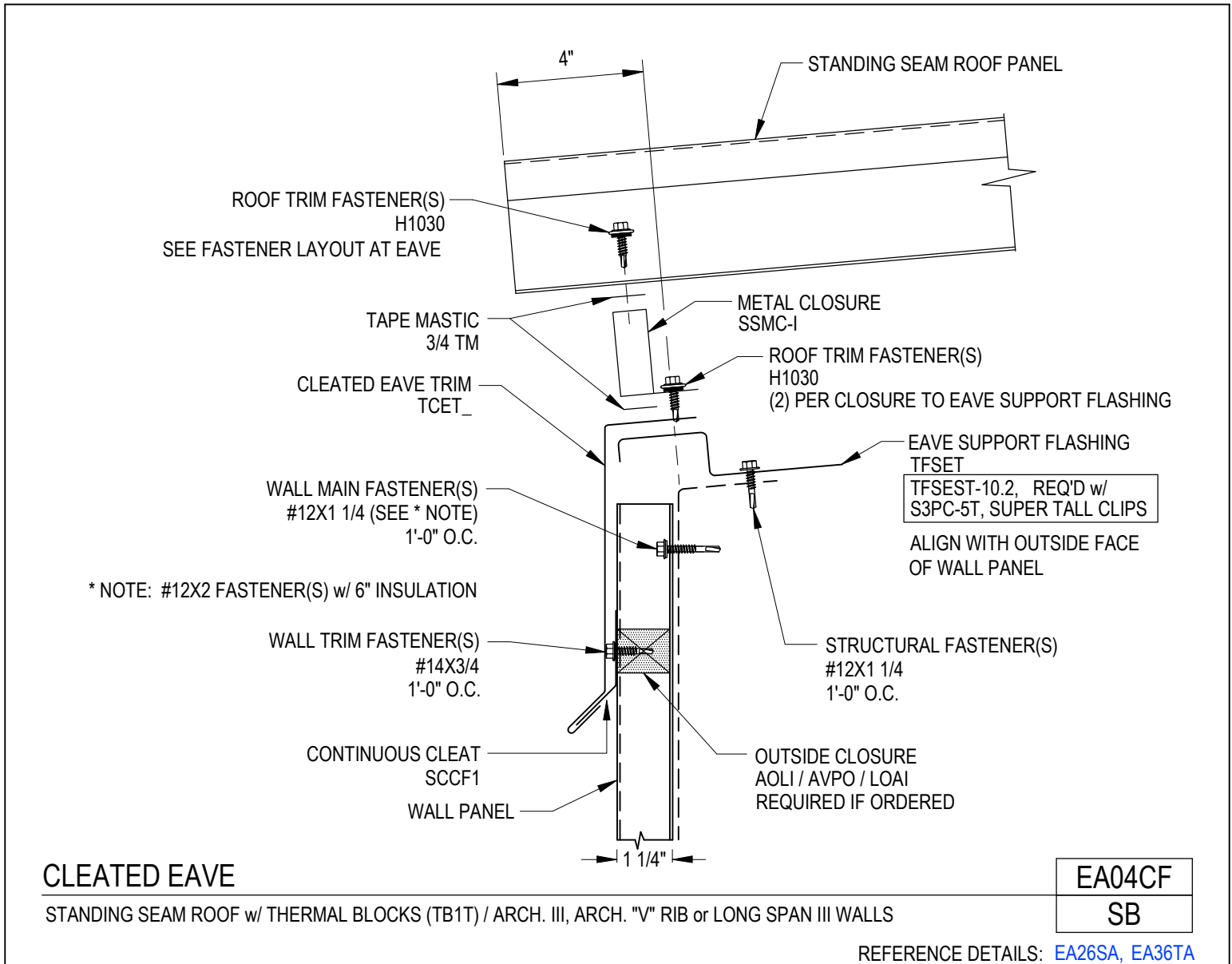


[Download the DWG file by clicking here.](#)

[To Section Index](#)



Cleated Eave  
Standing Seam Roof w/ Thermal Blocks (TBT1) / Arch. III, Arch. "V" Rib, or Long Span II  
EA04CF/SB



[Download the DWG file by clicking here.](#)

[To Section Index](#)



# AMERICAN BUILDINGS

A NUCOR COMPANY

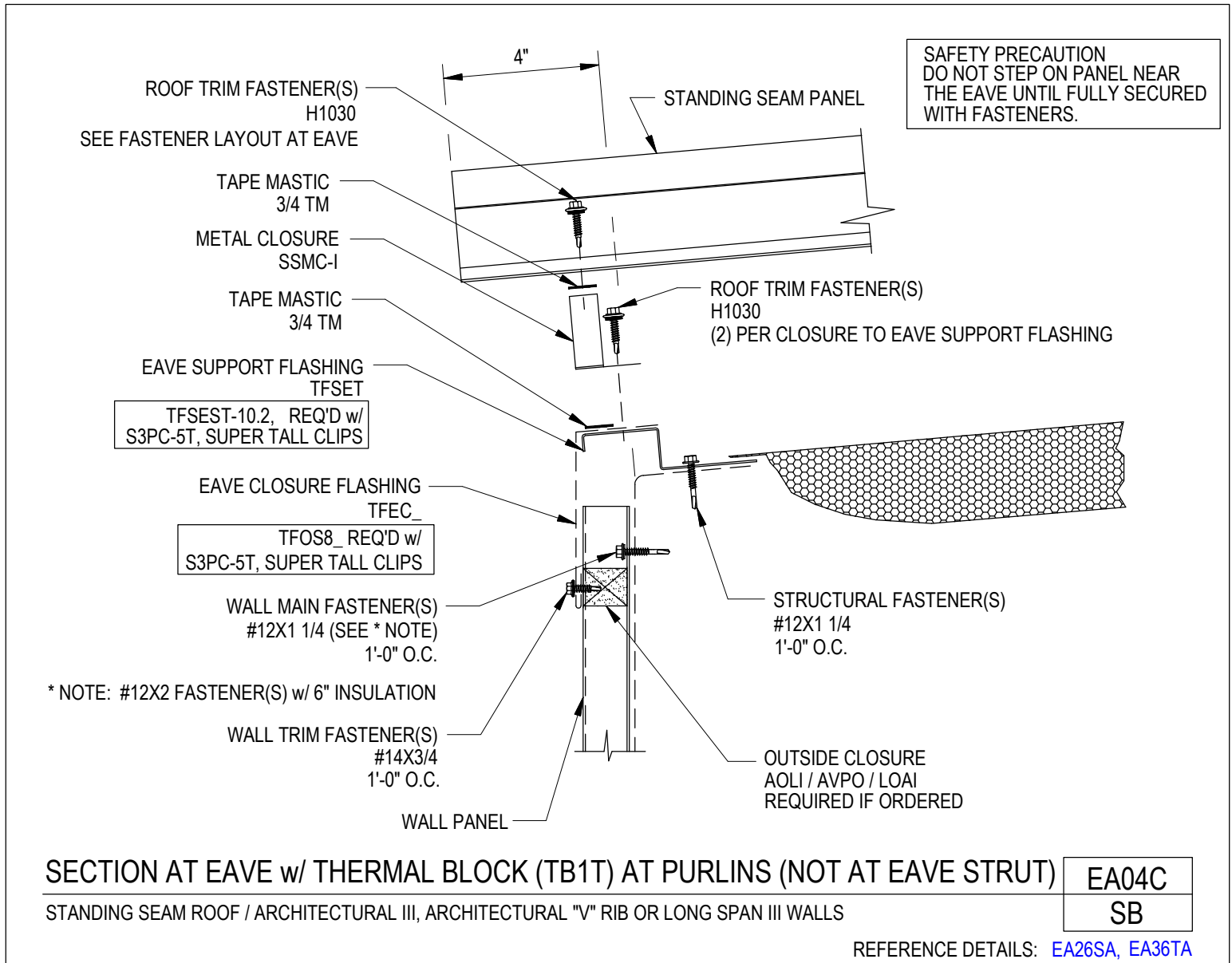
# PRODUCT MANUAL

STANDING SEAM ROOF PANEL

## Section at Eave with Thermal Block

Standing Seam Roof / Architectural III, Architectural "V" Rib, or Long Span III Walls

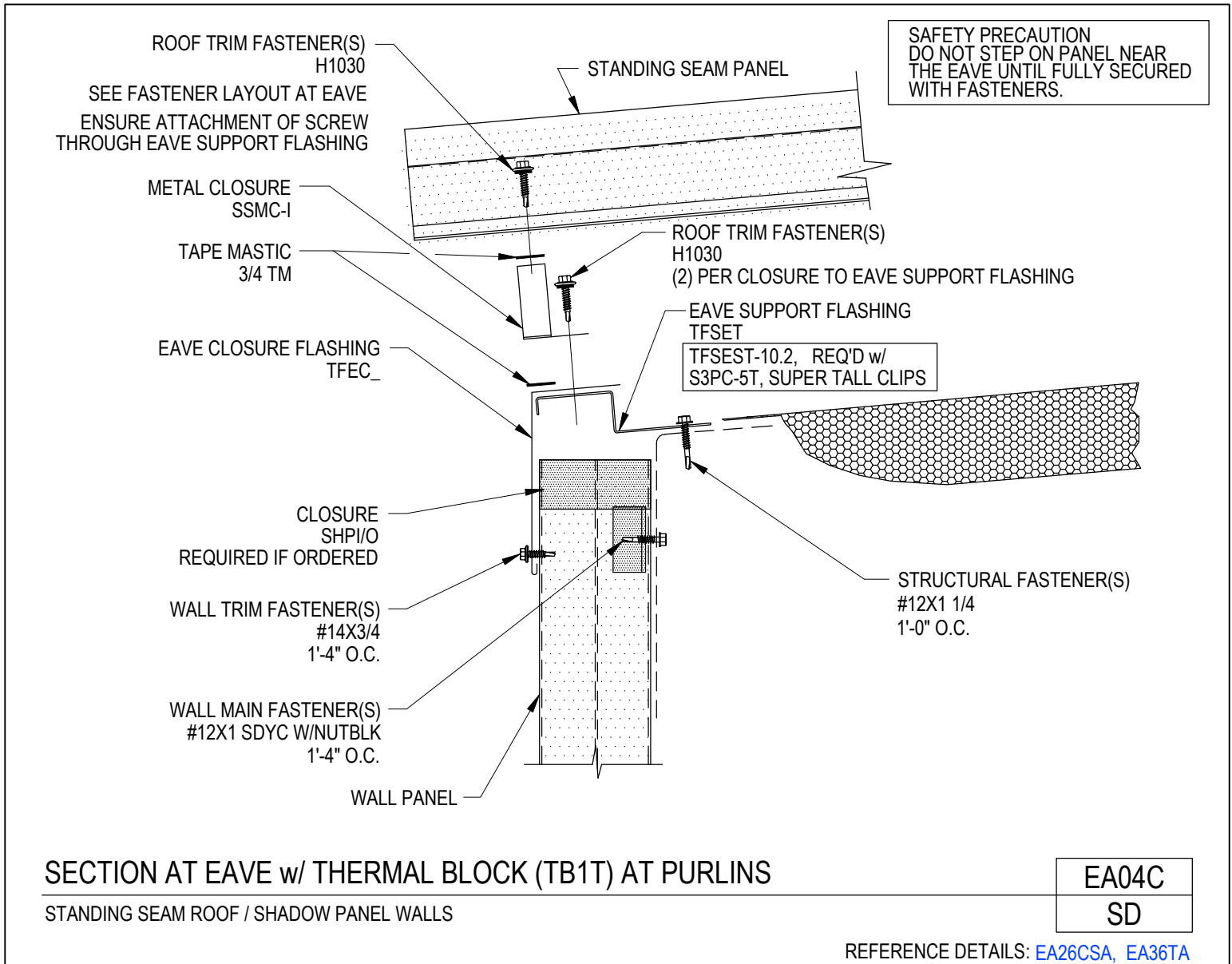
EA04C/SB



[Download the DWG file by clicking here.](#)

[To Section Index](#)

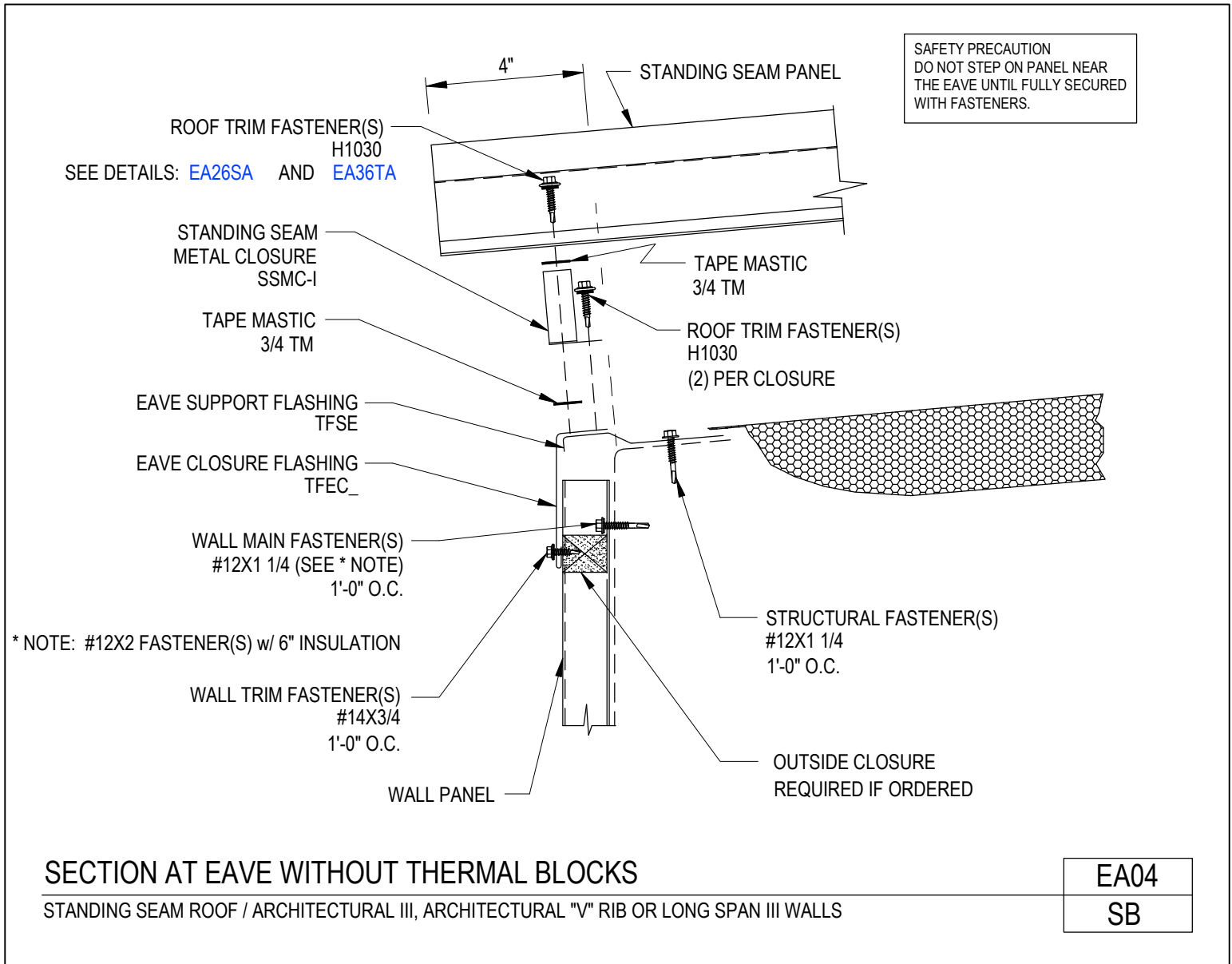
Section at Eave with Thermal Block  
Standing Seam Roof / Shadow Panel Walls  
EA04C/SD



[Download the DWG file by clicking here.](#)

[To Section Index](#)

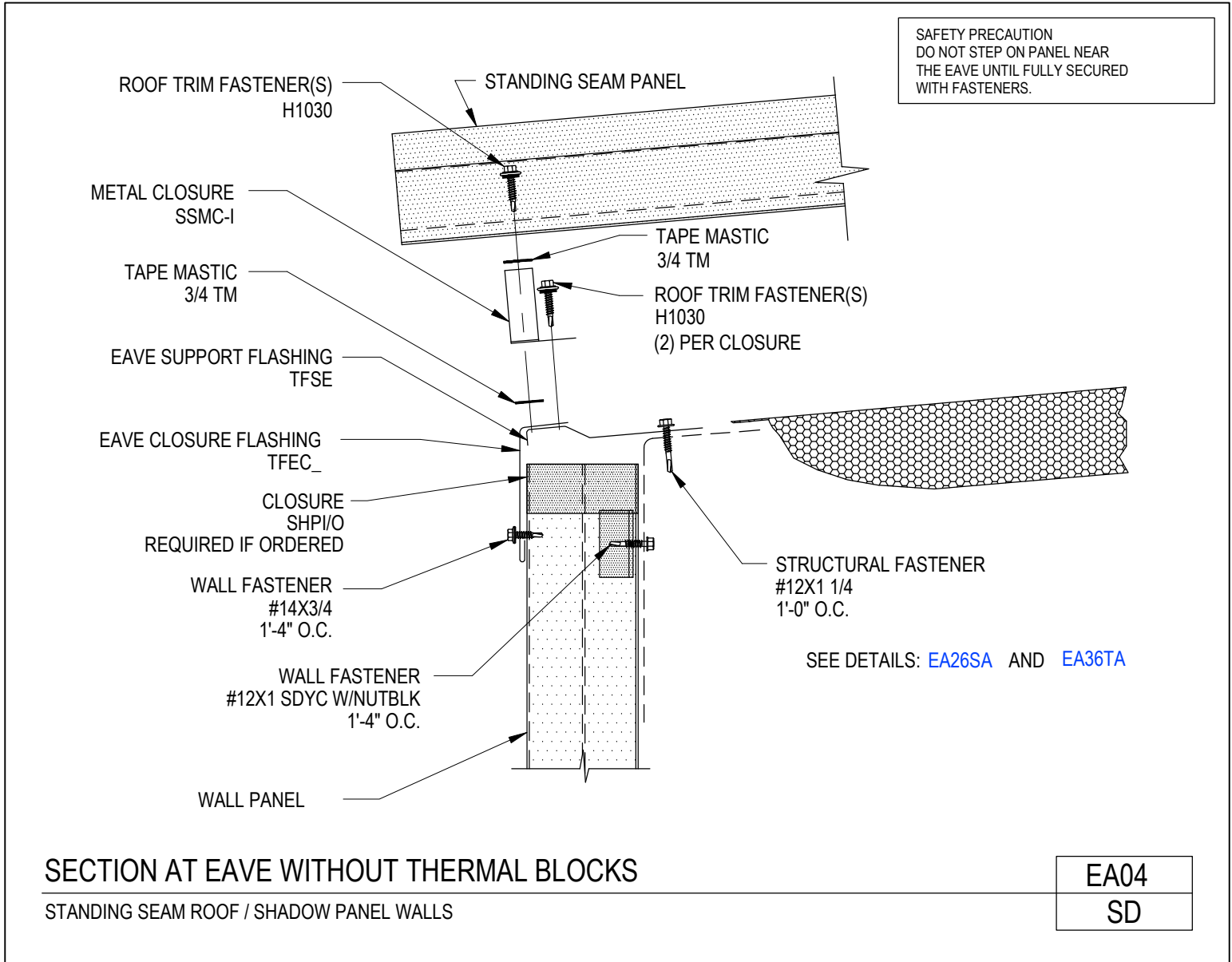
Section at Eave Without Thermal Blocks  
 Standing Seam Roof / Architectural III, Architectural "V" Rib or Long Span III Walls  
 EA04/SB



[Download the DWG file by clicking here.](#)

[To Section Index](#)

Section at Eave Without Thermal Blocks  
Standing Seam Roof / Shadow Panel Walls  
EA04/SD



[Download the DWG file by clicking here.](#)

[To Section Index](#)



**AMERICAN  
BUILDINGS**

A **NUCOR** COMPANY

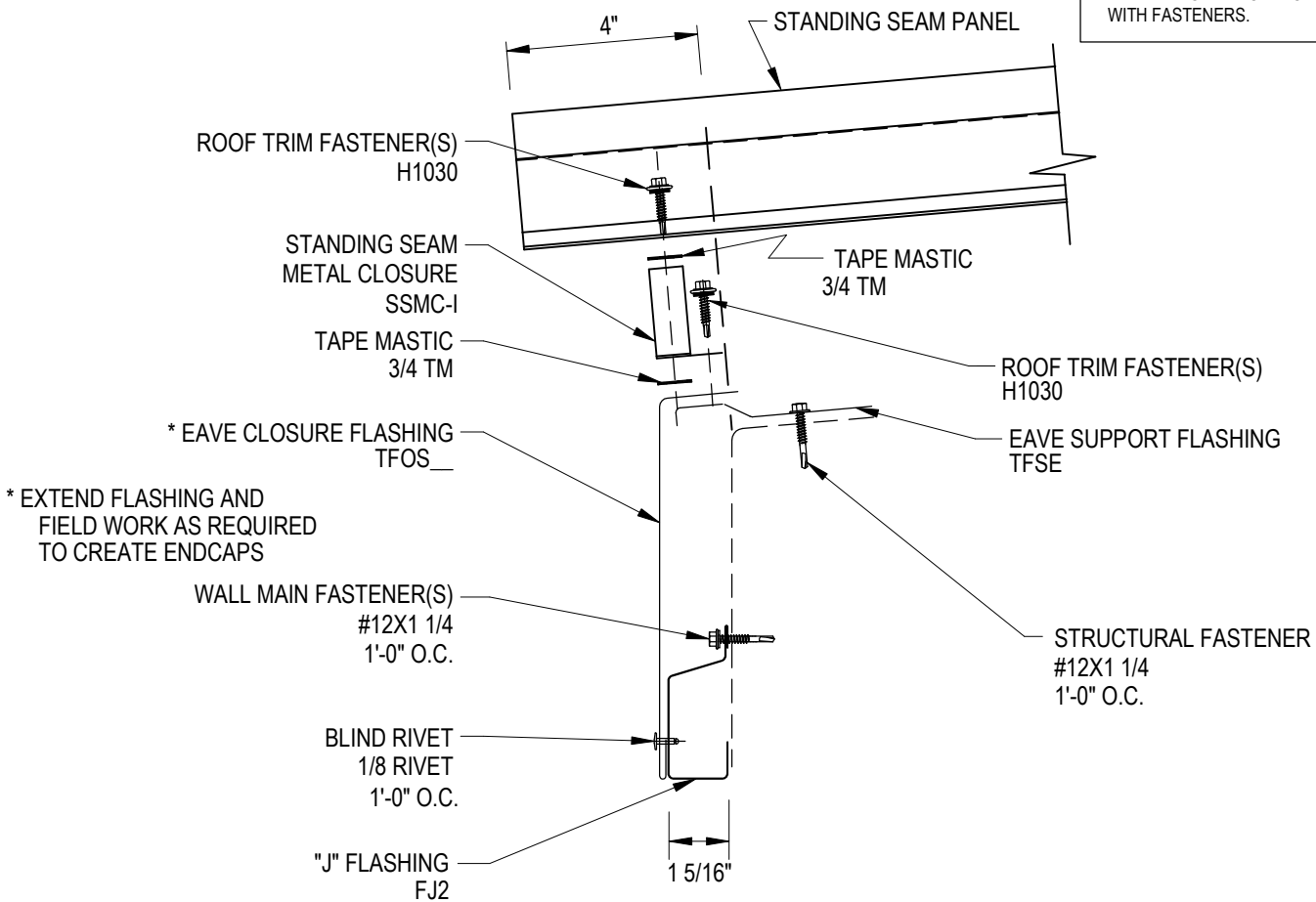
# PRODUCT MANUAL

STANDING SEAM ROOF PANEL

Section at Eave  
Standing Seam Roof / Open Sidewall  
EA04/SO

SEE DETAILS: [EA26SA](#) AND [EA36TA](#)

SAFETY PRECAUTION  
DO NOT STEP ON PANEL NEAR  
THE EAVE UNTIL FULLY SECURED  
WITH FASTENERS.



## SECTION AT EAVE

STANDING SEAM ROOF / OPEN SIDEWALL

EA04

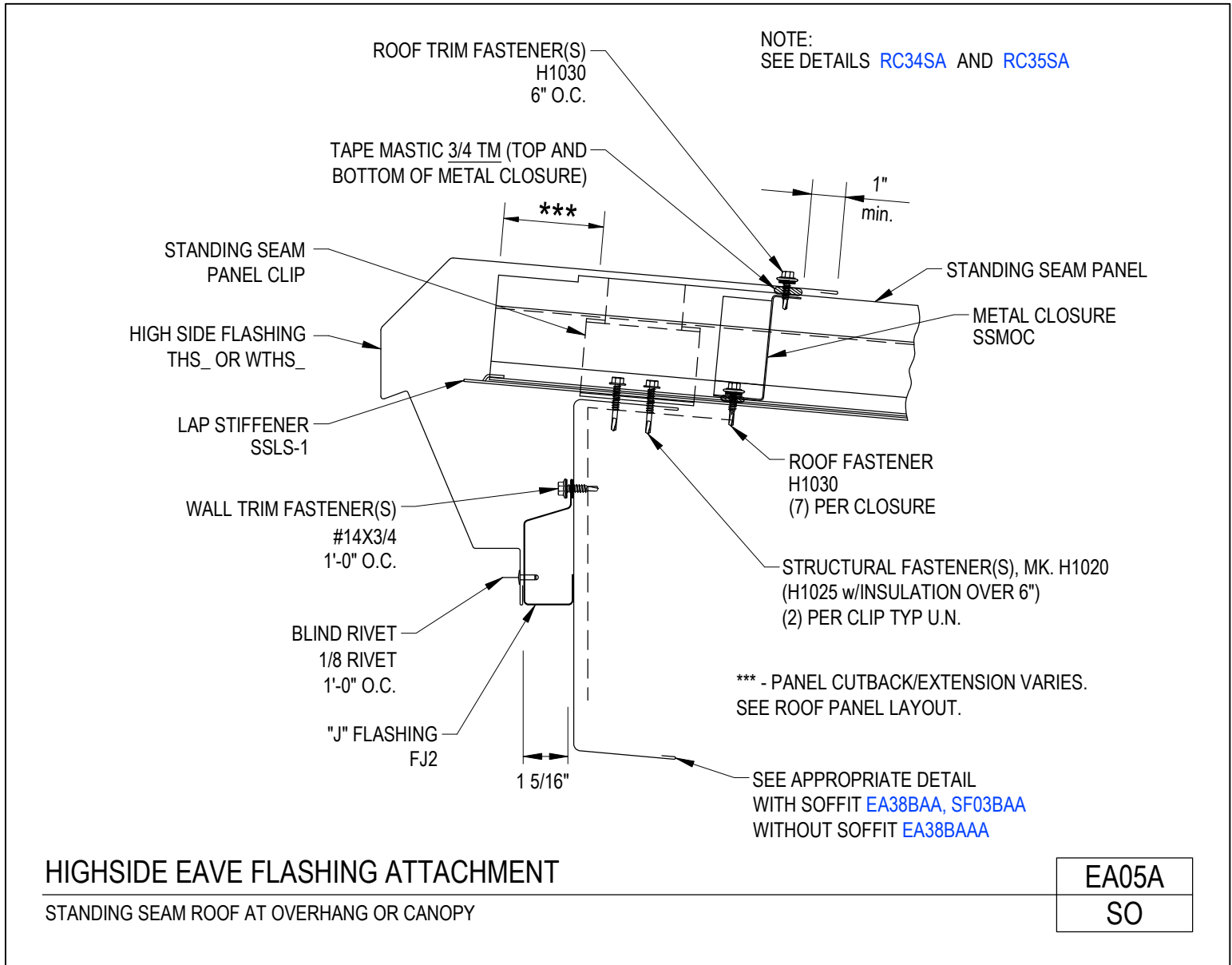
SO

[Download the DWG file by clicking here.](#)

[To Section Index](#)

Revised: 02.19.21 (MR2021.03)

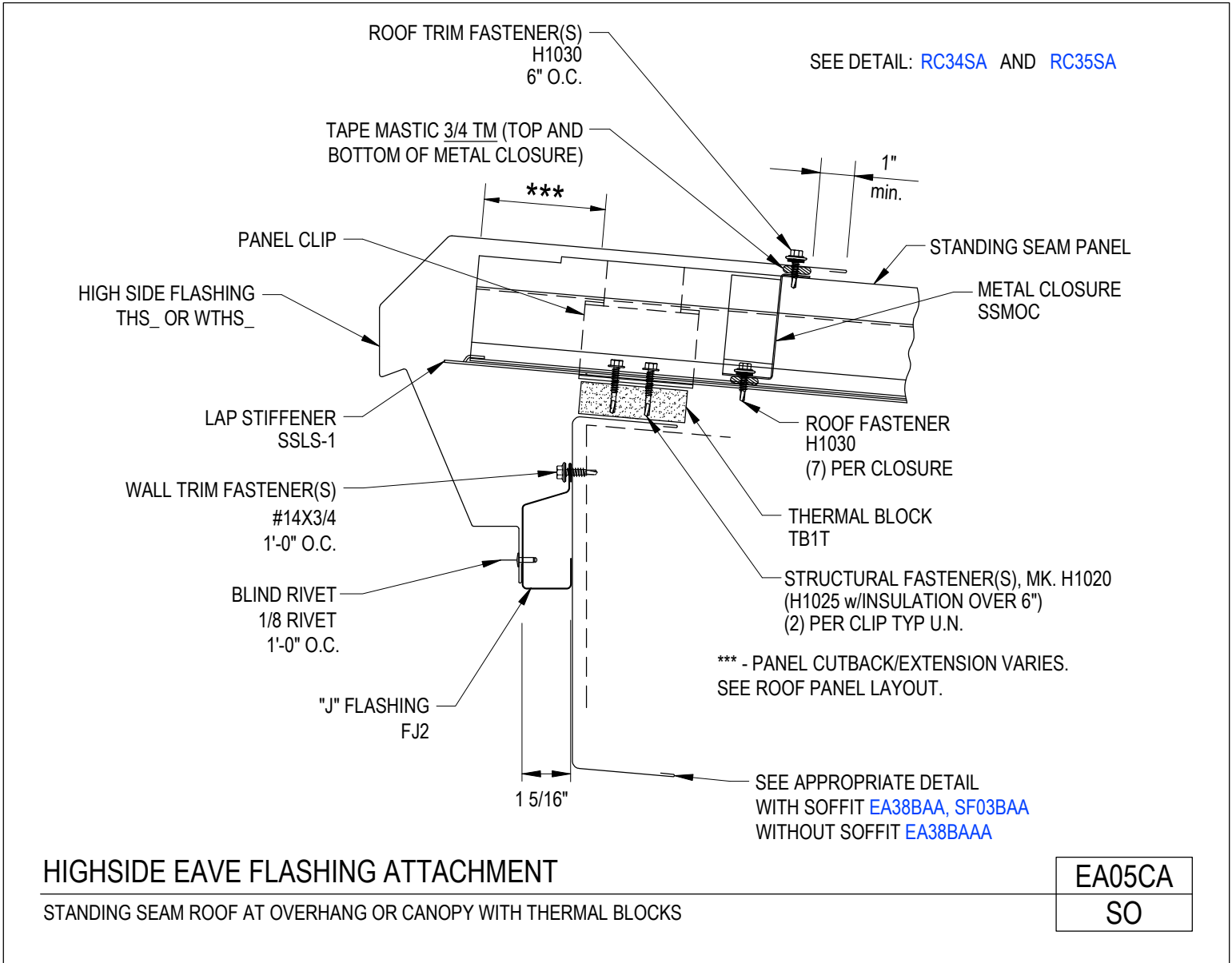
Highside Eave Flashing Attachment  
Standing Seam Roof at Overhang  
EA05A/SO



[Download the DWG file by clicking here.](#)

[To Section Index](#)

Highside Eave Flashing Attachment  
Standing Seam Roof at Overhang with Thermal Blocks  
EA05CA/SO

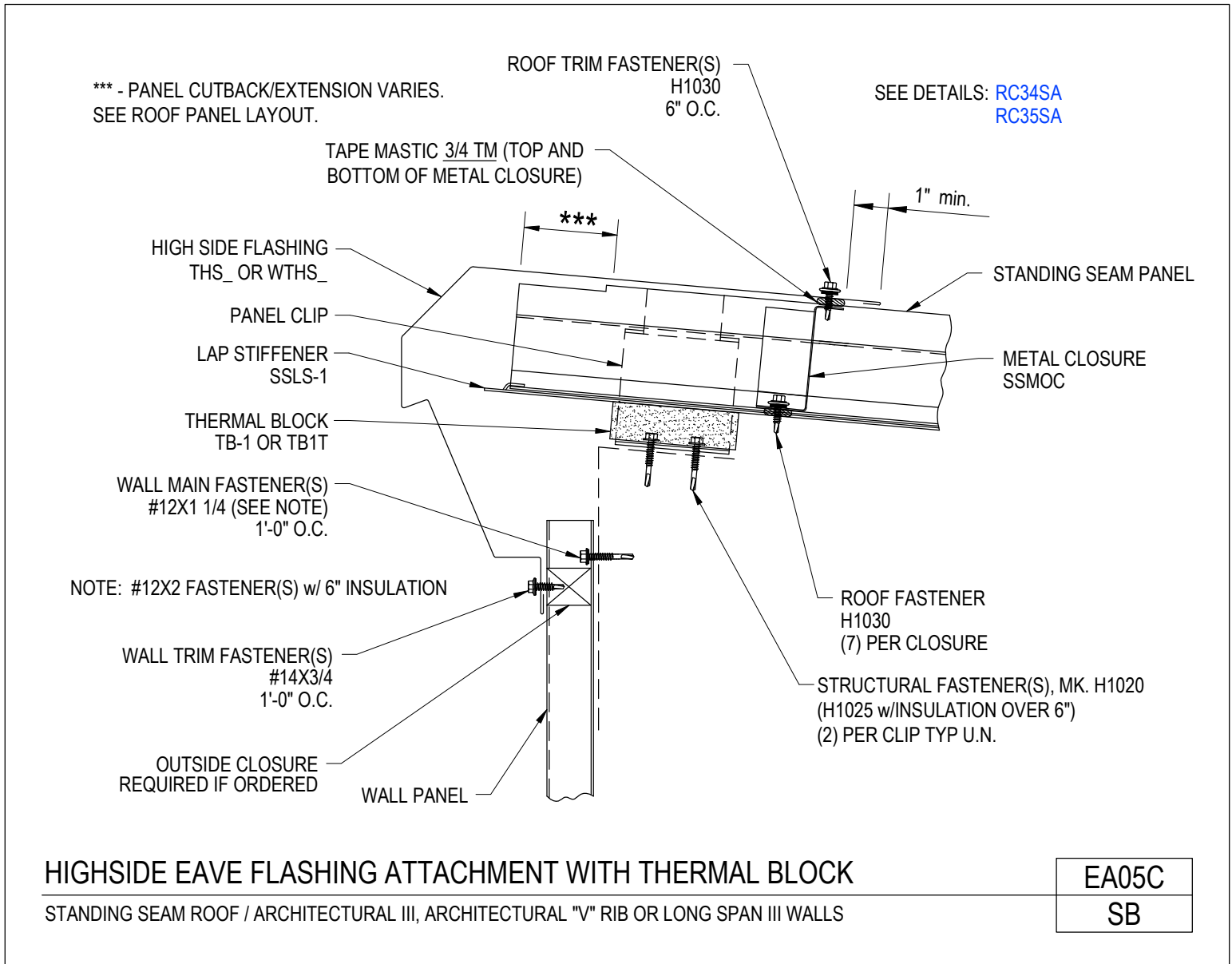


[Download the DWG file by clicking here.](#)

[To Section Index](#)



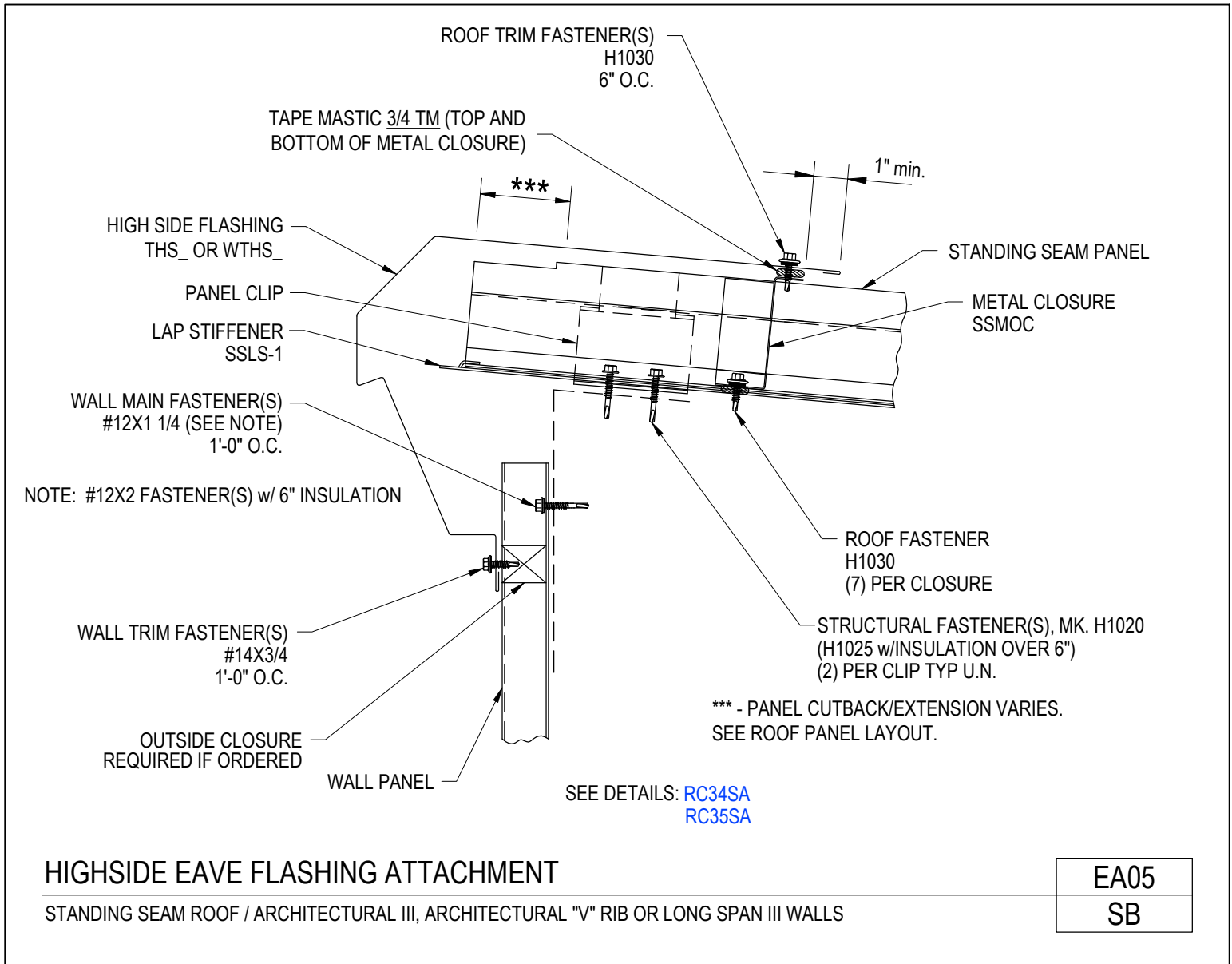
Highside Eave Flashing Attachment with Thermal Block  
Standing Seam Roof / Architectural III, Architectural "V" Rib, or Long Span III Walls  
EA05C/SB



[Download the DWG file by clicking here.](#)

[To Section Index](#)

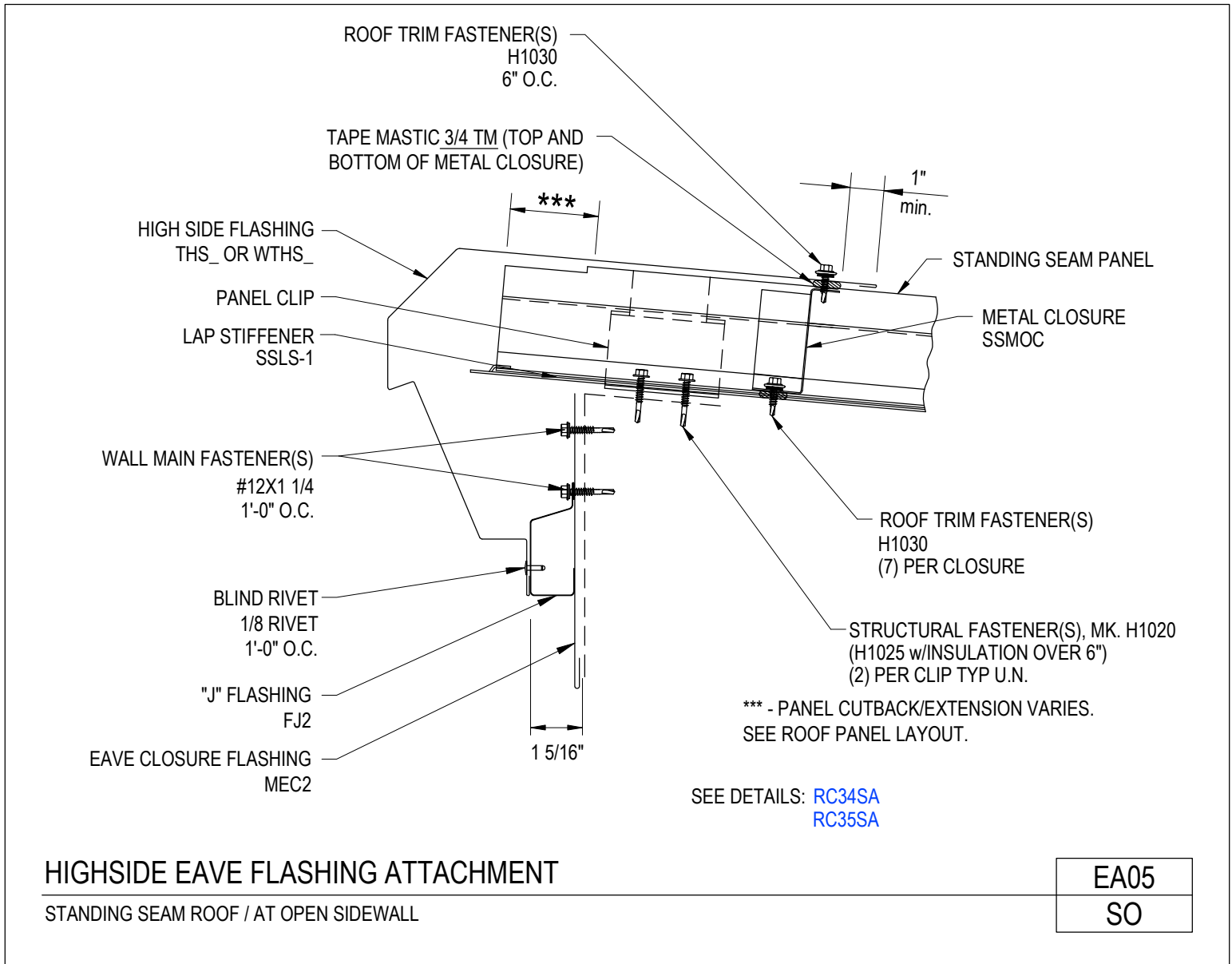
Highside Eave Flashing Attachment  
Standing Seam Roof / Architectural III, Architectural "V" Rib or Long Span III Walls  
EA05/SB



[Download the DWG file by clicking here.](#)

[To Section Index](#)

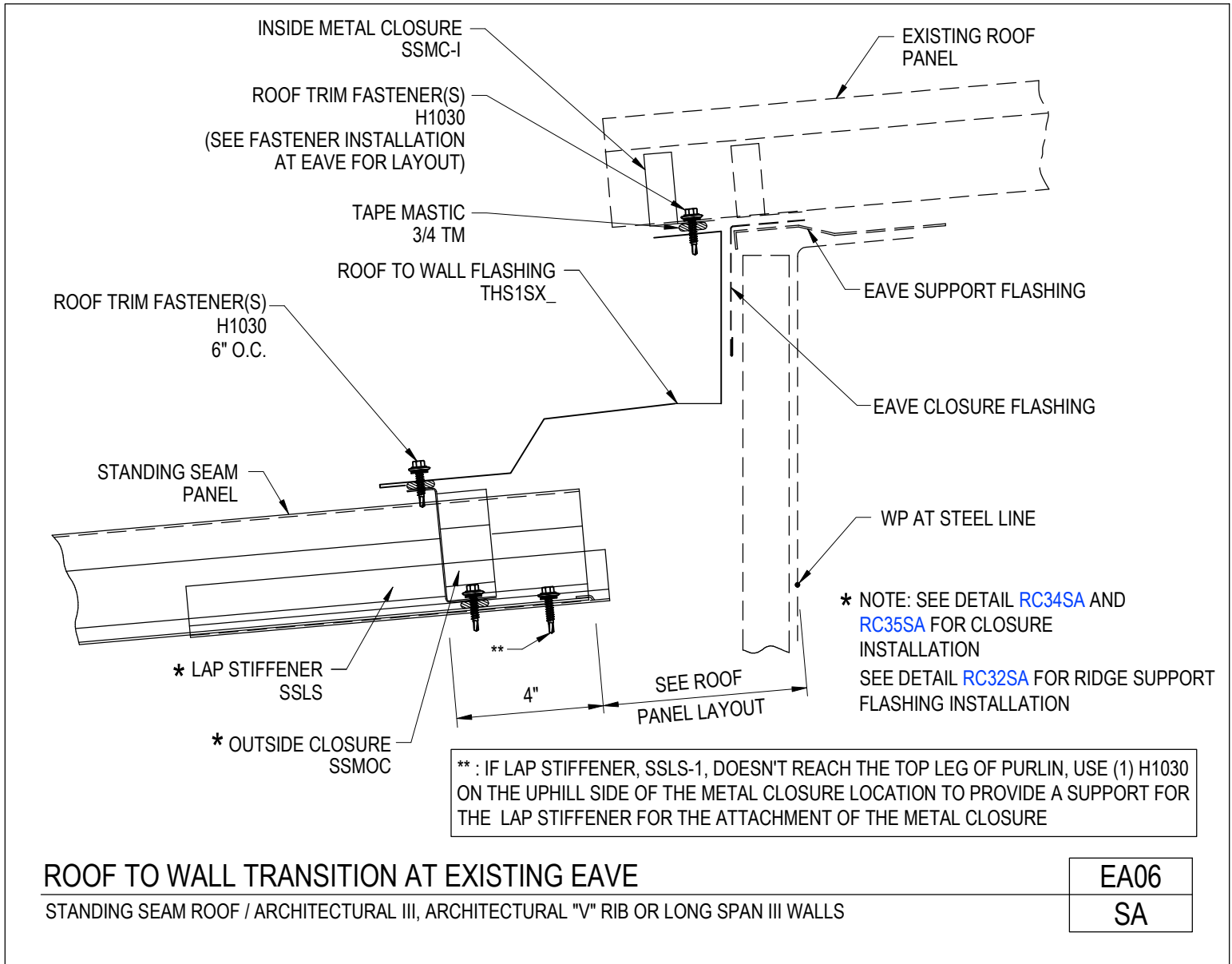
Highside Eave Flashing Attachment  
Standing Seam Roof / at Open Sidewall  
EA05/SO



[Download the DWG file by clicking here.](#)

[To Section Index](#)

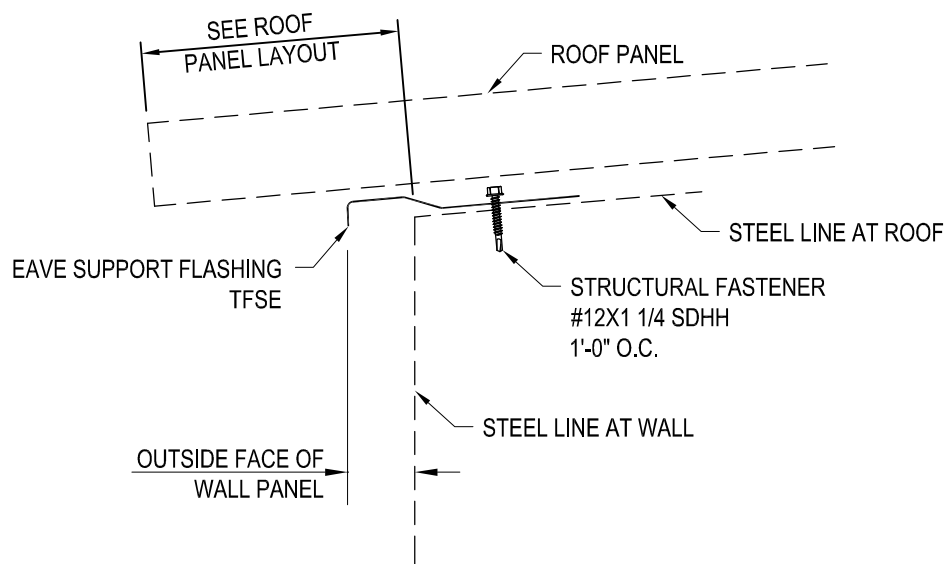
Roof to Wall Transition at Existing Eave  
Standing Seam Roof/Architectural III, Architectural "V" Rib or Long Span III Walls  
EA06/SA



[Download the DWG file by clicking here.](#)

[To Section Index](#)

Eave Support Flashing Attachment  
Architectural III, Architectural "V" Rib or Long Span III Wall Panels / All Roof Panels  
EA10/AA



NOTE: EAVE SUPPORT FLASHING NOT REQUIRED AT LONG SPAN III ROOFS.

**EAVE SUPPORT FLASHING ATTACHMENT**

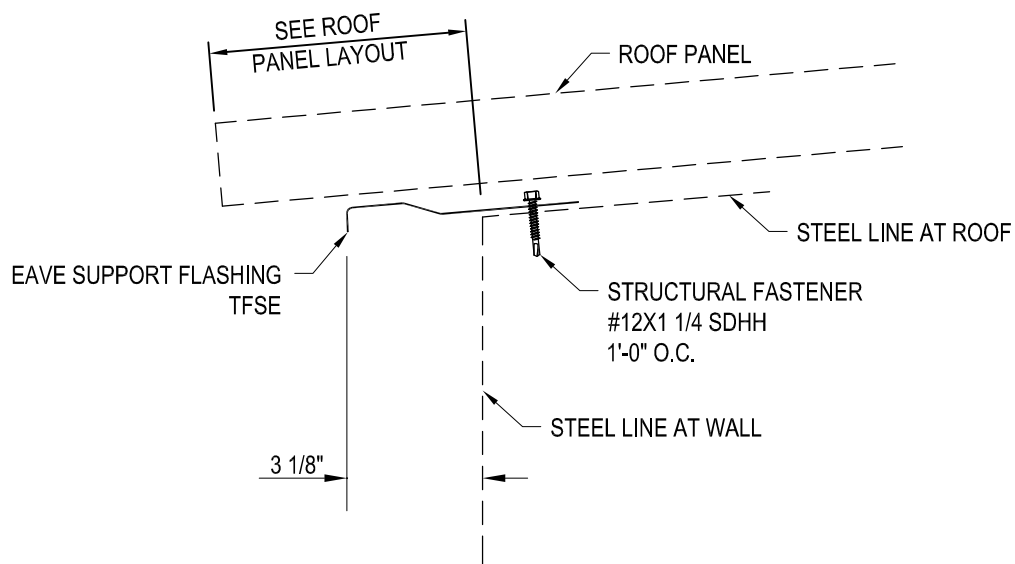
LONG SPAN III, ARCHITECTURAL III & ARCHITECTURAL "V" RIB WALL PANELS  
LONG SPAN III, STANDING SEAM & LOC SEAM ROOF PANELS

EA10
AA

[Download the DWG file by clicking here.](#)

[To Section Index](#)

Eave Support Flashing Attachment  
Shadow Panel Wall Panels / All Roof Panels  
EA10/AD



NOTE: EAVE SUPPORT FLASHING NOT REQUIRED AT LONG SPAN III ROOFS.

## EAVE SUPPORT FLASHING ATTACHMENT

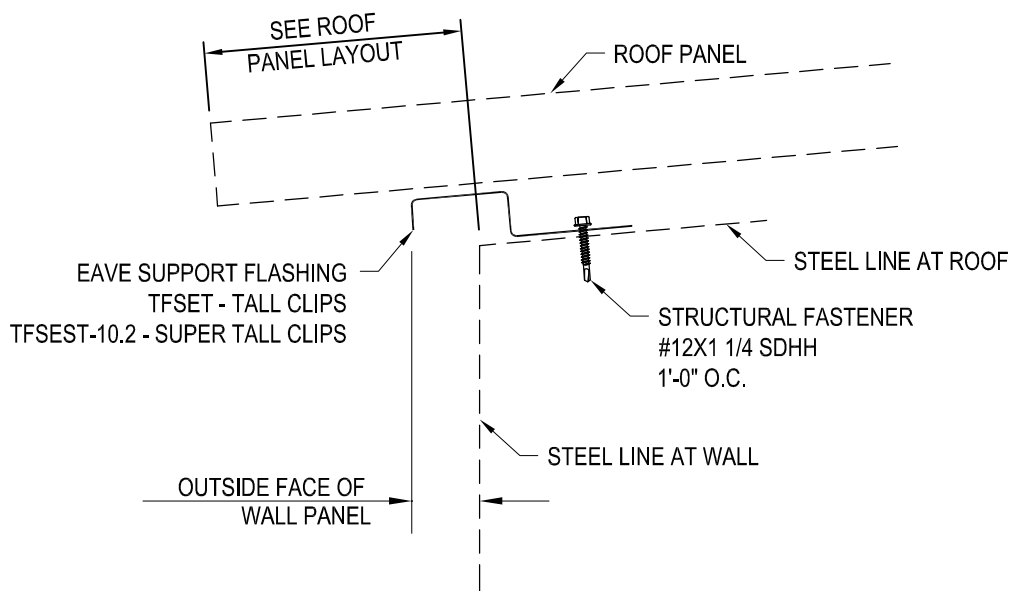
SHADOW PANEL WALL PANELS  
LONG SPAN III, STANDING SEAM & LOC SEAM ROOF PANELS

EA10
AD

[Download the DWG file by clicking here.](#)

[To Section Index](#)

Thermal Eave Support Flashing Attachment  
 Architectural III, Architectural "V" Rib, or Long Span III Wall Panels / Loc Seam or Standing Seam Roof Panels  
 EA10C/AA



## THERMAL EAVE SUPPORT FLASHING ATTACHMENT

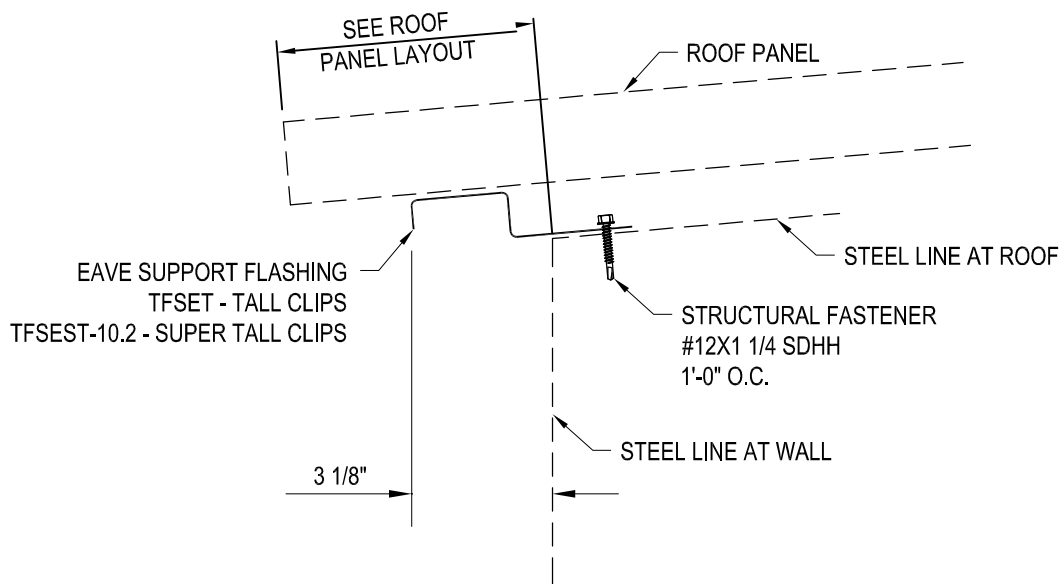
LONG SPAN III, ARCHITECTURAL III & ARCHITECTURAL "V" RIB WALL PANELS  
 STANDING SEAM & LOC SEAM ROOF PANELS

EA10C
AA

[Download the DWG file by clicking here.](#)

[To Section Index](#)

Thermal Eave Support Flashing Attachment  
Shadow Panel Wall Panels / Loc Seam or Standing Seam Roof Panels  
EA10C/AD



**THERMAL EAVE SUPPORT FLASHING ATTACHMENT**

SHADOW PANEL WALL PANELS  
STANDING SEAM & LOC SEAM ROOF PANELS

EA10C
AD

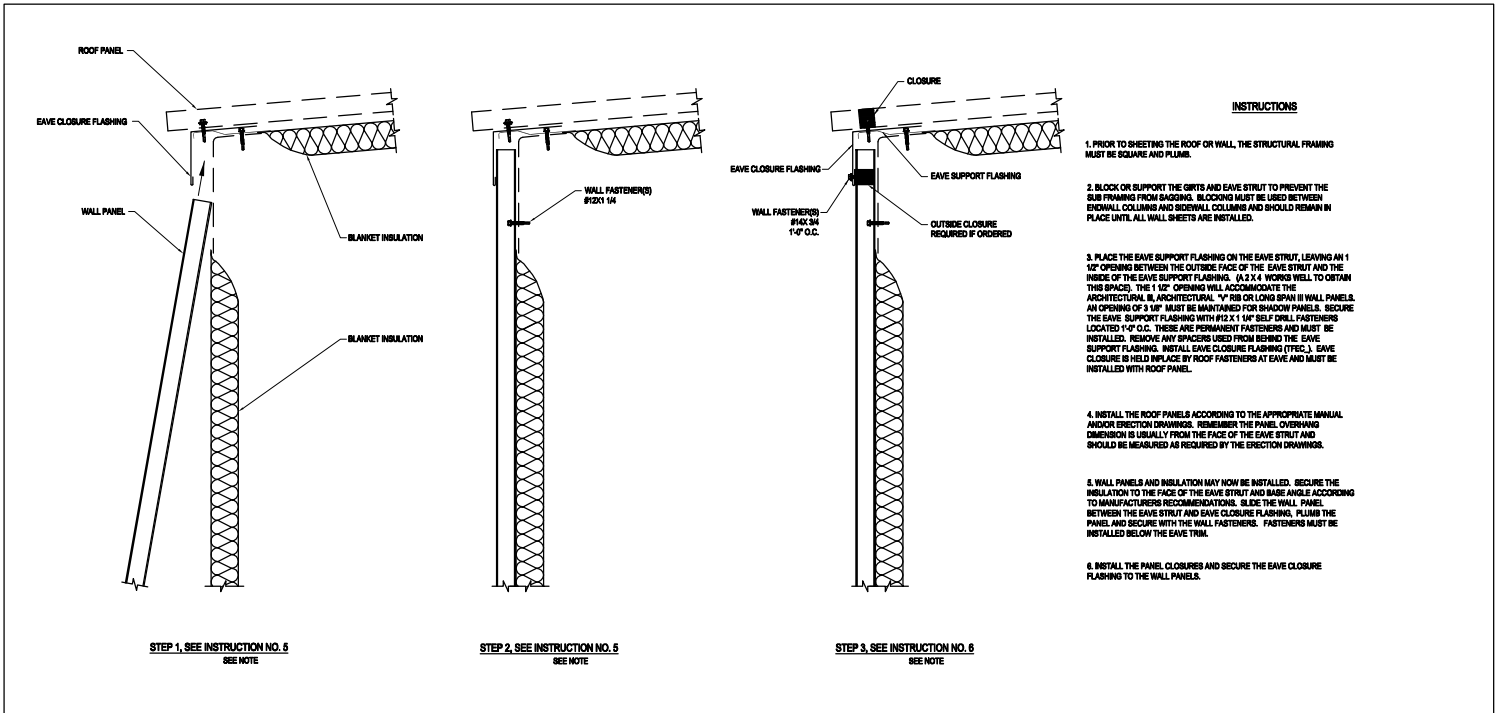
[Download the DWG file by clicking here.](#)

[To Section Index](#)



### Roof Sheeting Prior to Wall Sheeting Instructions

EA11/AA



**INSTRUCTIONS**

1. PRIOR TO SHEETING THE ROOF OR WALL, THE STRUCTURAL FRAMING MUST BE SQUARE AND PLUMB.
2. BLOCK OR SUPPORT THE GIRTS AND EAVE STRUT TO PREVENT THE SUB FRAMING FROM SAGGING. BLOCKING MUST BE USED BETWEEN SIDING WALL COLUMNS AND SIDING WALL COLUMNS AND SHOULD REMAIN IN PLACE UNTIL ALL WALL SHEETS ARE INSTALLED.
3. PLACE THE EAVE SUPPORT FLASHING ON THE EAVE STRUT, LEAVING AN 1/2" OPENING BETWEEN THE OUTSIDE FACE OF THE EAVE STRUT AND THE INSIDE OF THE EAVE SUPPORT FLASHING. (A 2 X 4 WORKS WELL TO OBTAIN THIS SPACE). THE 1/2" OPENING WILL ACCOMMODATE THE ARCHITECTURAL, 1/2" OR LONG SPAN II WALL PANELS. AN OPENING OF 3/8" MUST BE MAINTAINED FOR SHADOW PANELS. SECURE THE EAVE SUPPORT FLASHING WITH #12 X 1 1/4" SELF DRILL FASTENERS LOCATED 1'-0" O.C. THESE ARE PERMANENT FASTENERS AND MUST BE INSTALLED. REMOVE ANY SPACERS USED FROM BEHIND THE EAVE SUPPORT FLASHING. INSTALL EAVE CLOSURE FLASHING (T.E.C.). EAVE CLOSURE IS HELD IN PLACE BY ROOF FASTENERS AT EAVE AND MUST BE INSTALLED WITH ROOF PANEL.
4. INSTALL THE ROOF PANELS ACCORDING TO THE APPROPRIATE MANUAL AND/OR ERECTION DRAWINGS. REMEMBER THE PANEL OVERHANG DIMENSION IS USUALLY FROM THE FACE OF THE EAVE STRUT AND SHOULD BE MEASURED AS REQUIRED BY THE ERECTION DRAWINGS.
5. WALL PANELS AND INSULATION MAY NOW BE INSTALLED. SECURE THE INSULATION TO THE FACE OF THE EAVE STRUT AND MAKE ANGLE ACCORDING TO MANUFACTURER'S RECOMMENDATIONS. SLIDE THE WALL PANEL BETWEEN THE EAVE STRUT AND EAVE CLOSURE FLASHING. PLUMB THE PANEL AND SECURE WITH THE WALL FASTENERS. FASTENERS MUST BE INSTALLED BELOW THE EAVE TRIM.
6. INSTALL THE PANEL CLOSURES AND SECURE THE EAVE CLOSURE FLASHING TO THE WALL PANELS.

**NOTE:**  
SHADOW PANEL INSTALLATION SHALL VARY FROM THE DETAILS SHOWN. SEE THE SHADOW PANEL ERECTION DRAWINGS FOR FASTENER AND FLASHING DETAILS.

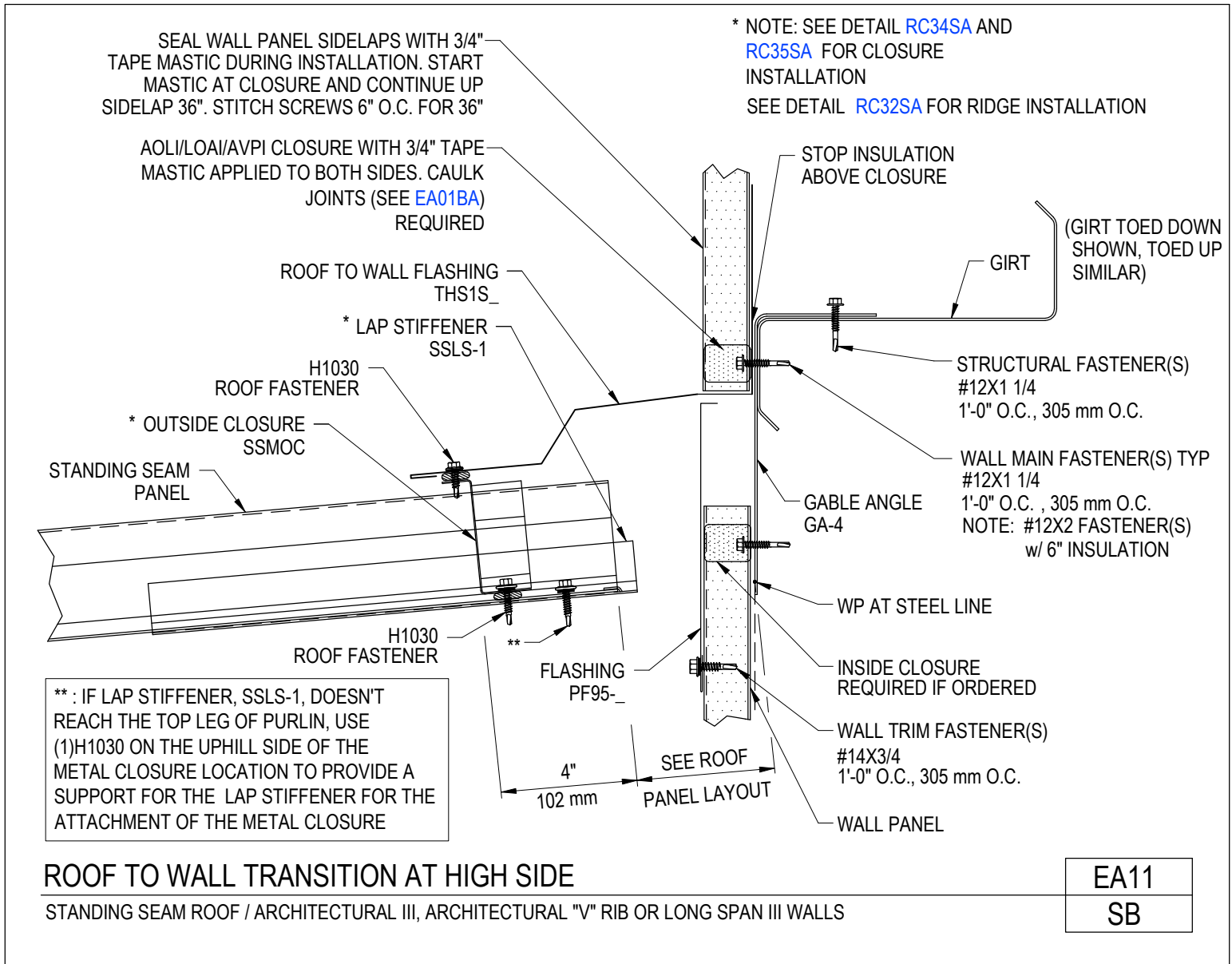
**ROOF SHEETING PRIOR TO WALL SHEETING INSTRUCTIONS**

EA11
AA

[Download the DWG file by clicking here.](#)

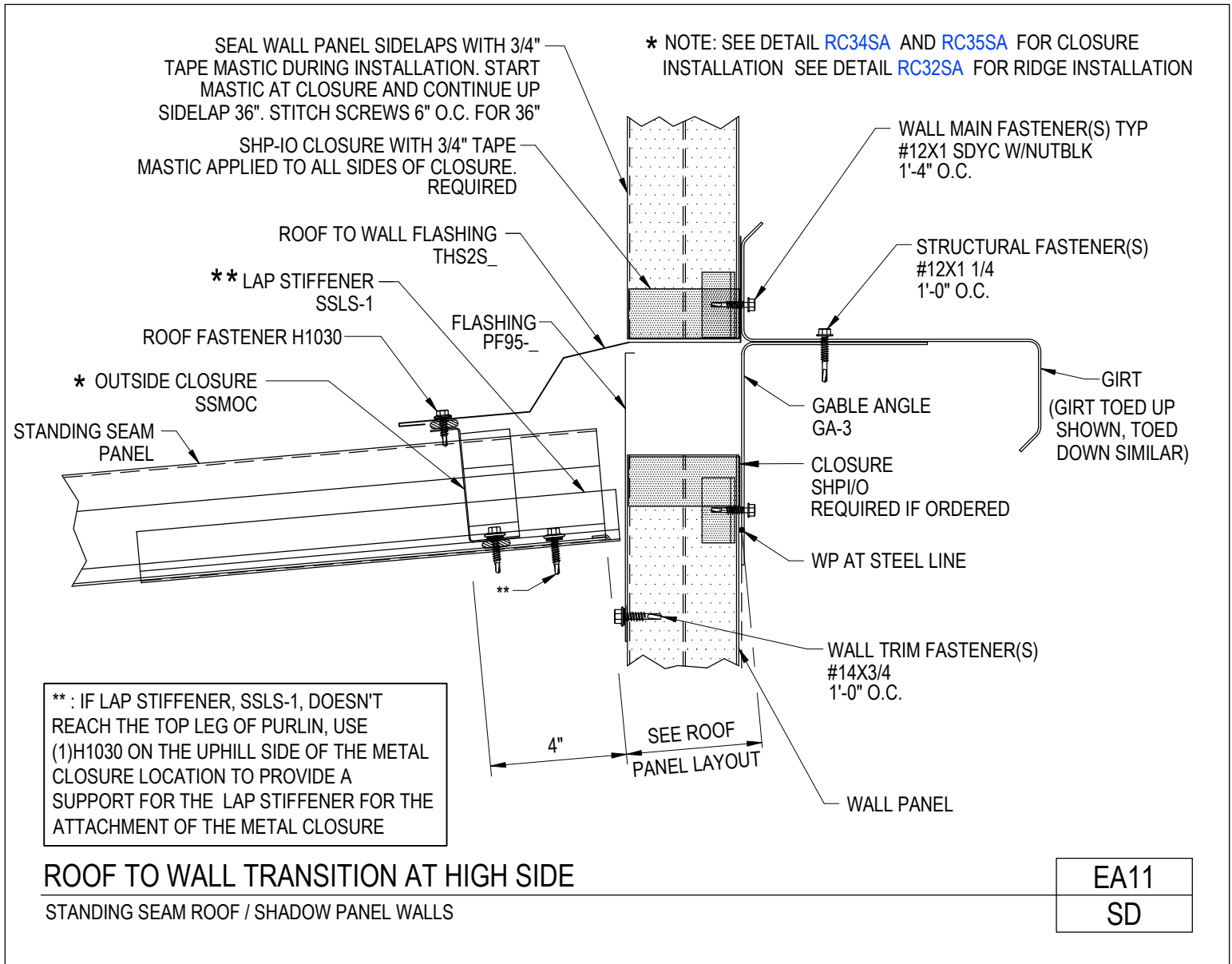
[To Section Index](#)

Roof to Wall Transition at High Side  
Standing Seam Roof/Architectural III, Architectural "V" Rib or Long Span III Walls  
EA11/SB



[Download the DWG file by clicking here.](#)

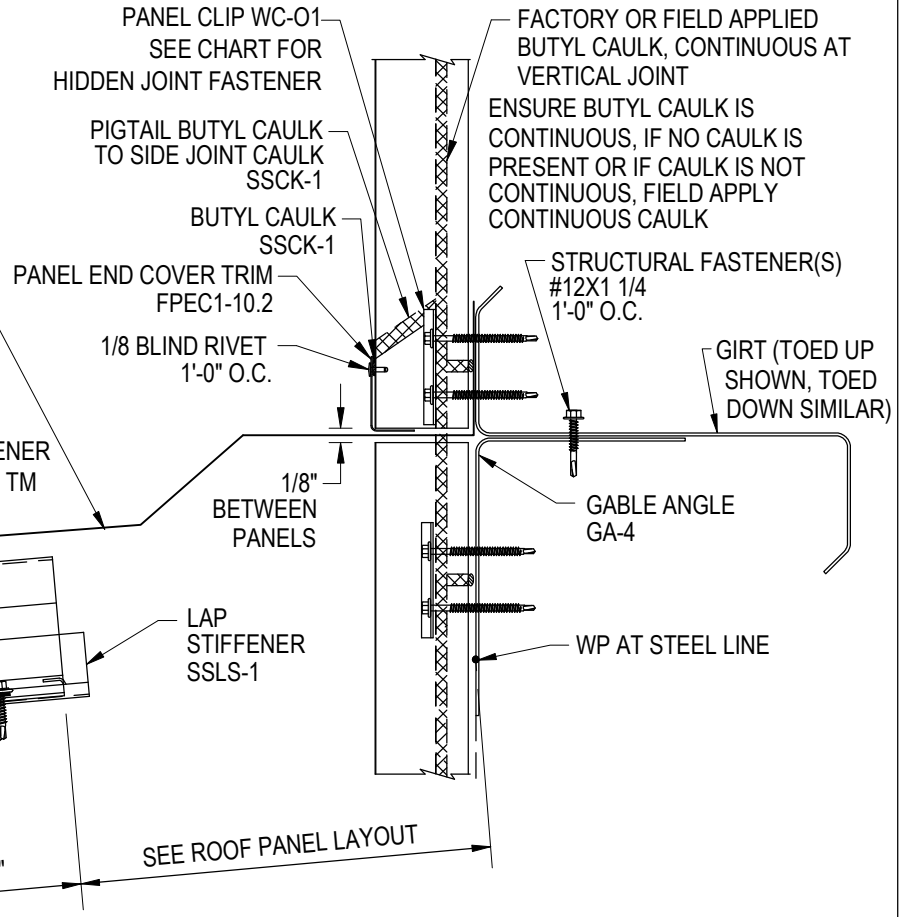
Roof to Wall Transition at High Side  
Standing Seam Roof/Shadow Panel Walls  
EA11/SD



[Download the DWG file by clicking here.](#)

Roof to Wall Transition at High Side  
Standing Seam Roof/Insulated Wall Panels  
EA11/SW

PANEL THICKNESS	HIDDEN JOINT FASTENER	FASTENER QTY. PER WC-01 CLIP
2"	#1/4-14X2 SDHH	(2)
2 1/2"	#1/4-14X3 SDHH	(2)
3"	#1/4-14X3 SDHH	(2)
4"	#1/4-14X4 SDHH	(2)



\* ROOF TO WALL FLASHING THS2S\_

INSTALL THS2S\_ FLASHING BEFORE UPPER PANEL

\* OUTSIDE CLOSURE SSMOC

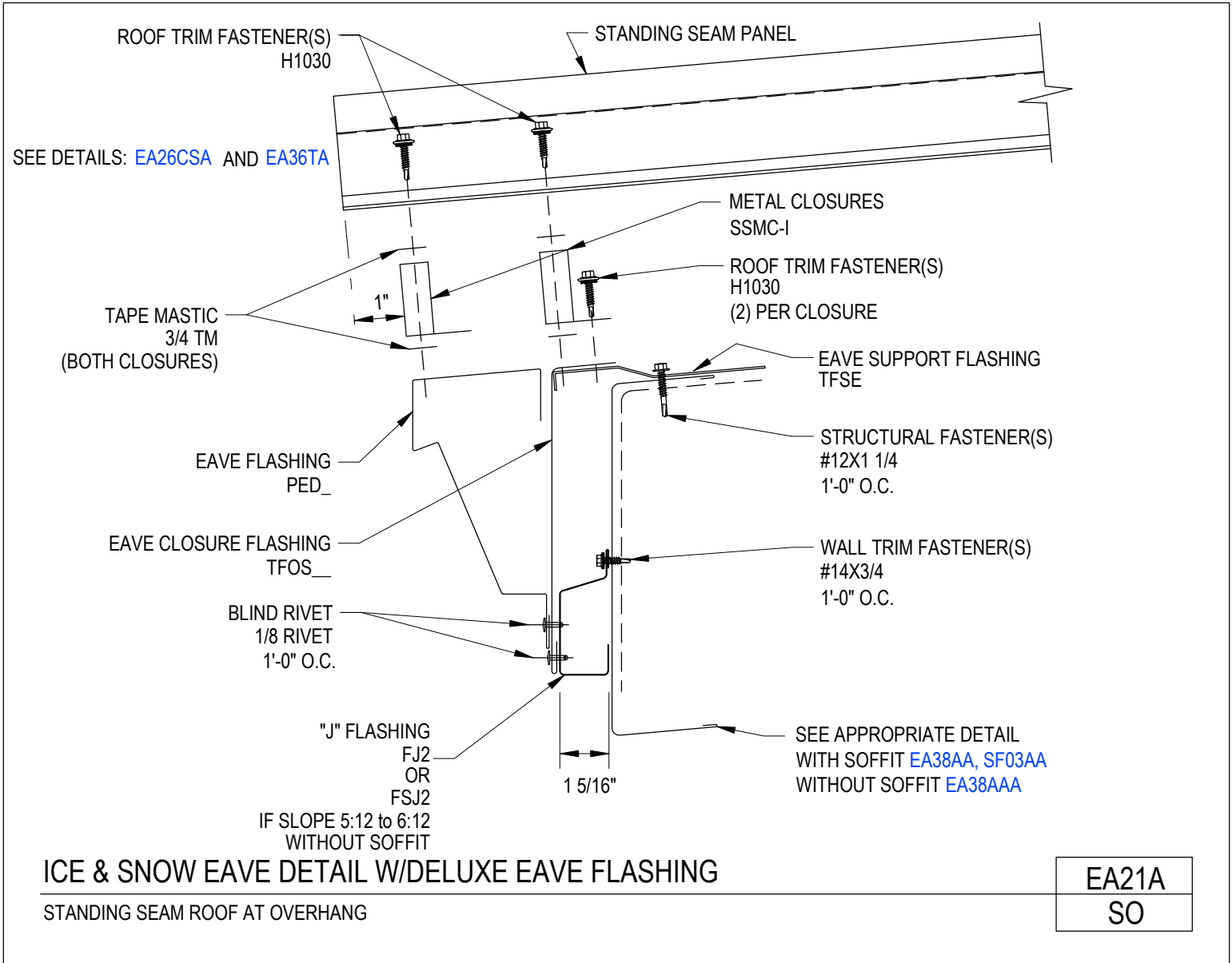
\*\* : IF LAP STIFFENER, SSLS-1, DOESN'T REACH THE TOP LEG OF PURLIN, USE (1)H1030 ON THE UPHILL SIDE OF THE METAL CLOSURE LOCATION TO PROVIDE A SUPPORT FOR THE LAP STIFFENER FOR THE ATTACHMENT OF THE METAL CLOSURE

**ROOF TO WALL TRANSITION AT HIGH SIDE**  
STANDING SEAM ROOF / INSULATED WALL PANELS

EA11  
SW

[Download the DWG file by clicking here.](#)

Ice & Snow Eave Detail w/ Deluxe Eave Flashing  
Standing Seam Roof at Overhang  
EA21A/SO



[Download the DWG file by clicking here.](#)



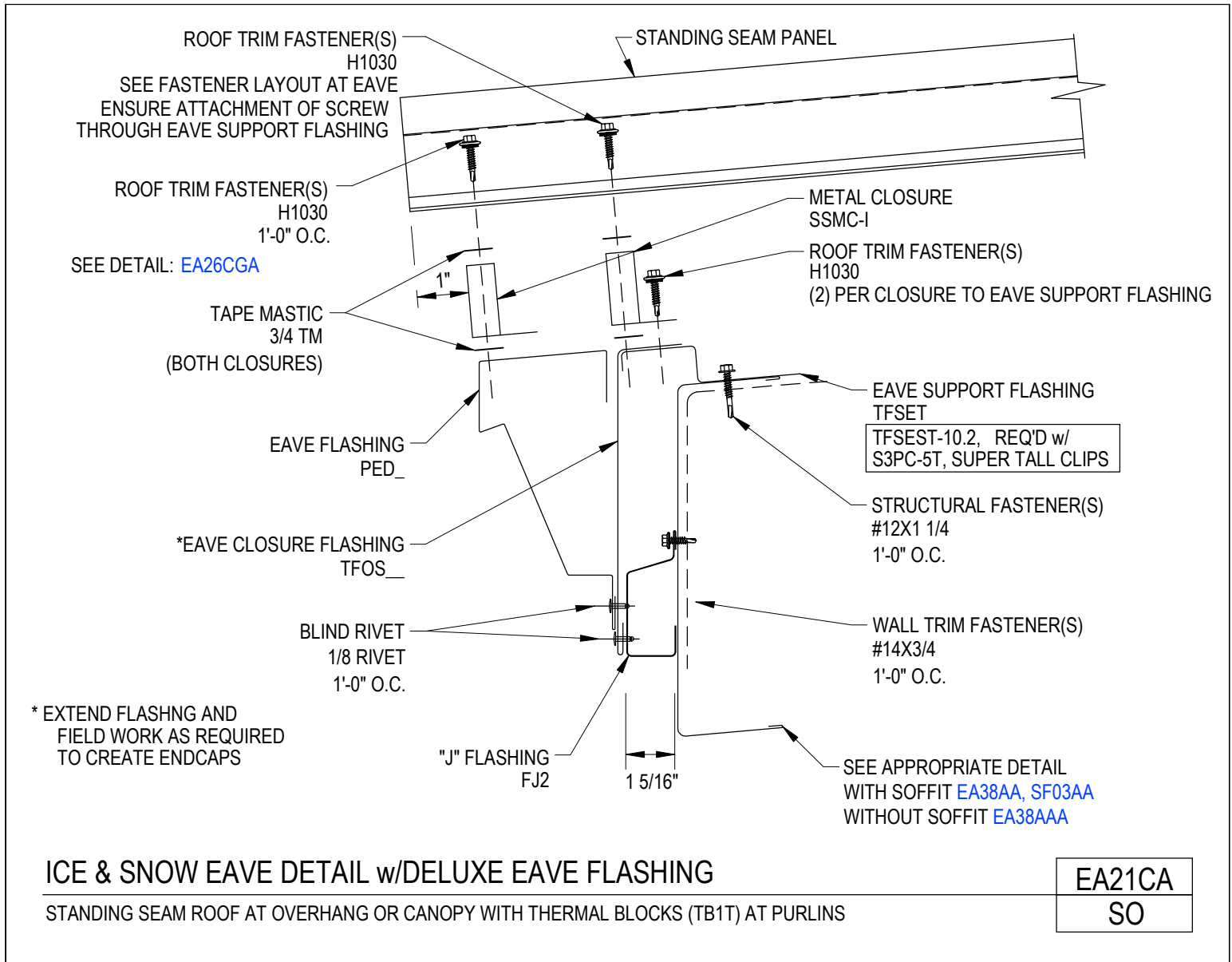
**AMERICAN  
BUILDINGS**

A **NUCOR** COMPANY

# PRODUCT MANUAL

STANDING SEAM ROOF PANEL

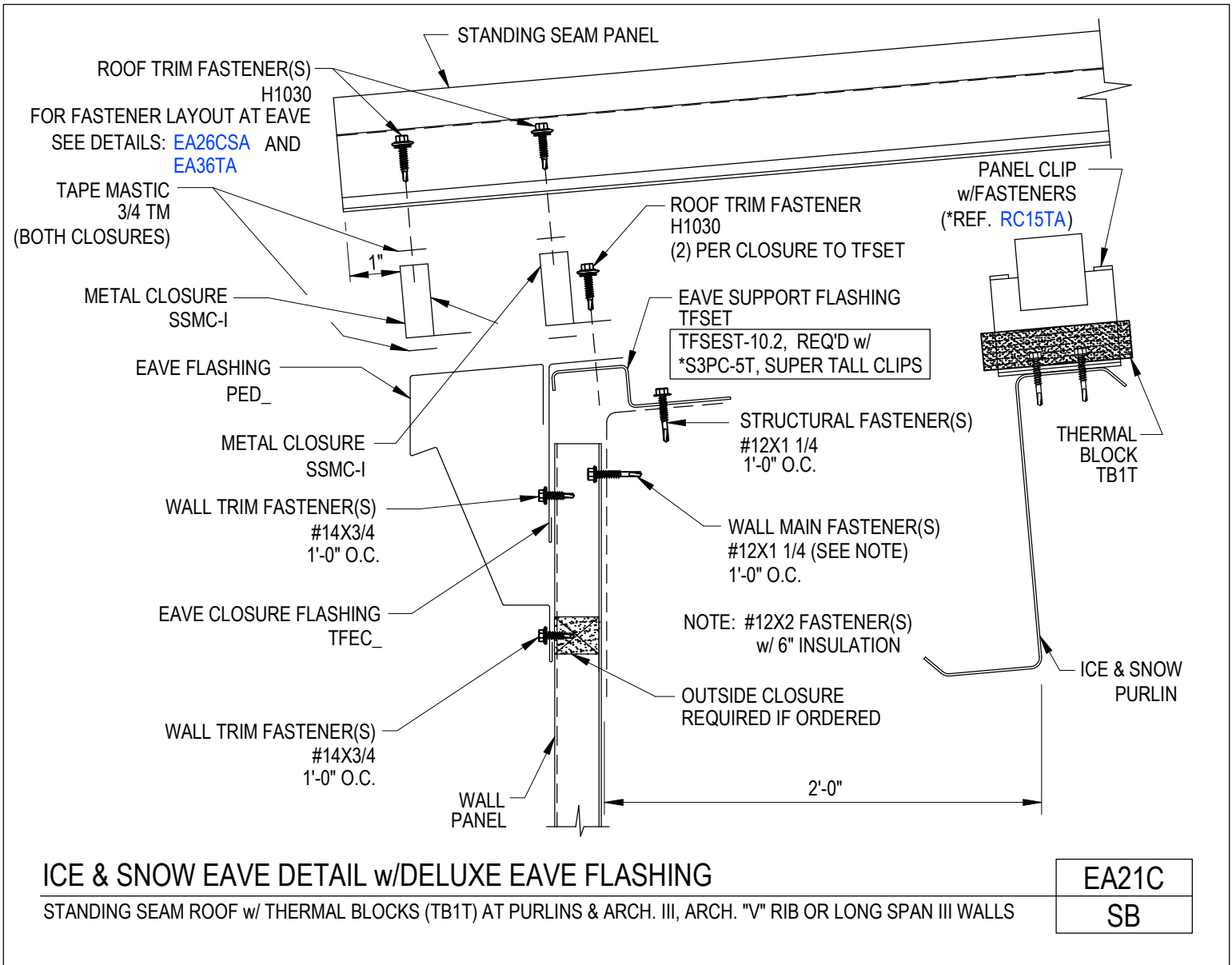
Ice & Snow Eave Detail w/ Deluxe Eave Flashing  
Standing Seam Roof at Overhang with Thermal Blocks  
EA21CA/SO



[Download the DWG file by clicking here.](#)

[To Section Index](#)

Ice & Snow Eave Detail w/ Deluxe Eave Flashing & Thermal Block  
 Standing Seam Roof w/ Thermal Blocks (TB1T) at Purlins & Arch. III, Arch. "V" Rib or Long Span III Walls  
 EA21C/SB

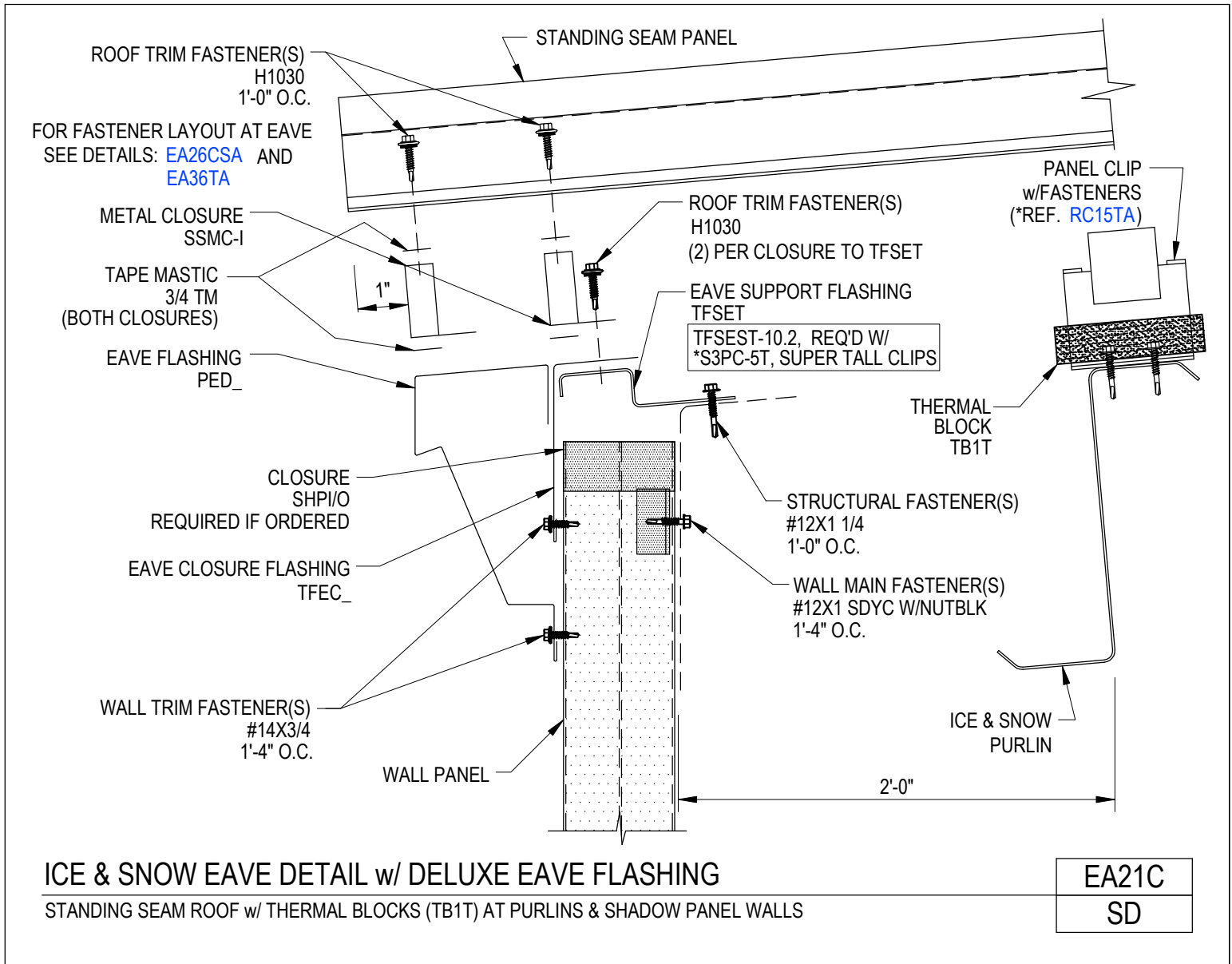


[Download the DWG file by clicking here.](#)

[To Section Index](#)



Ice & Snow Eave Detail w/ Deluxe Eave Flashing & Thermal Block  
Standing Seam Roof / Shadow Panel Walls  
EA21C/SD



[Download the DWG file by clicking here.](#)

[To Section Index](#)





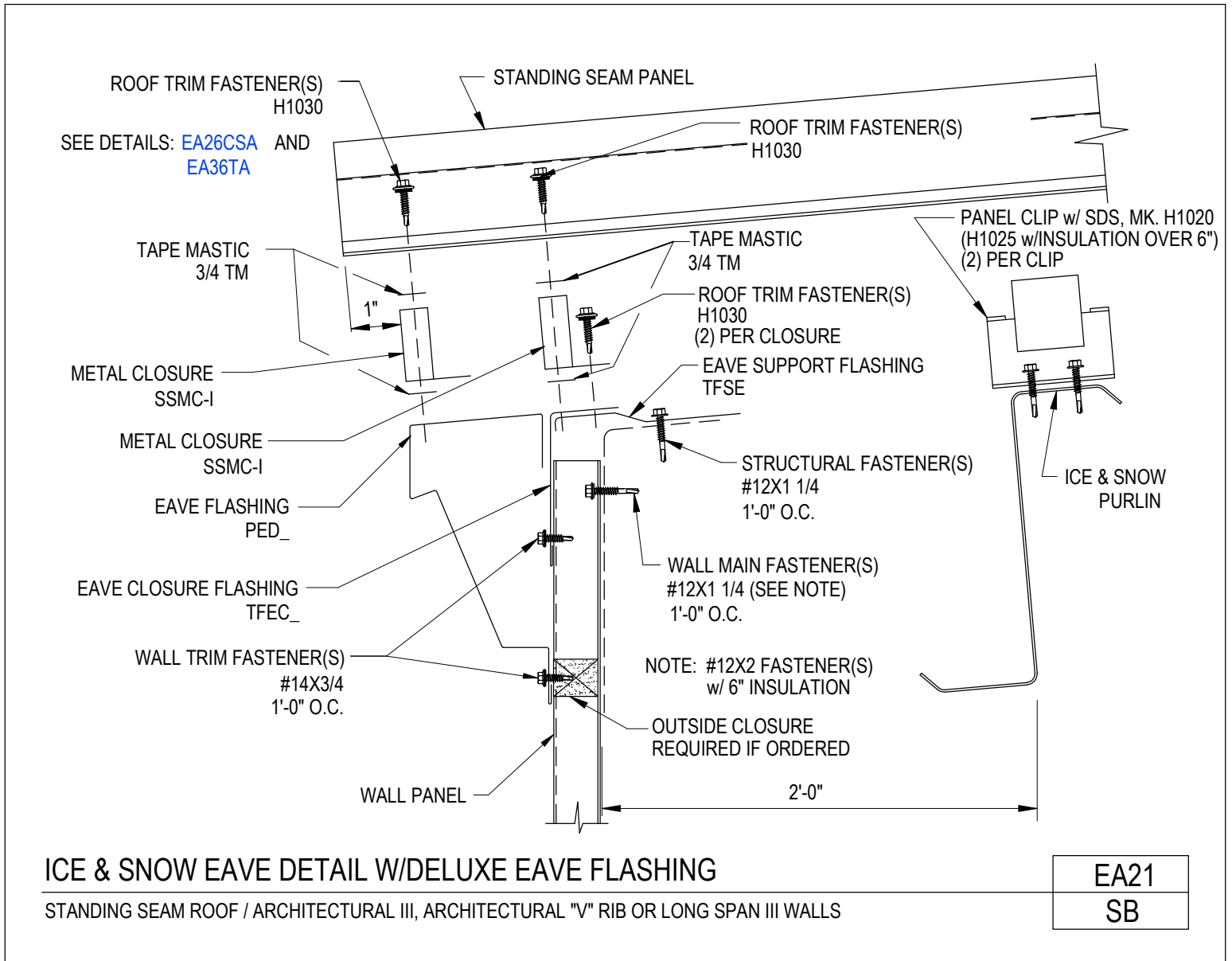
**AMERICAN BUILDINGS**

A NUCOR COMPANY

# PRODUCT MANUAL

STANDING SEAM ROOF PANEL

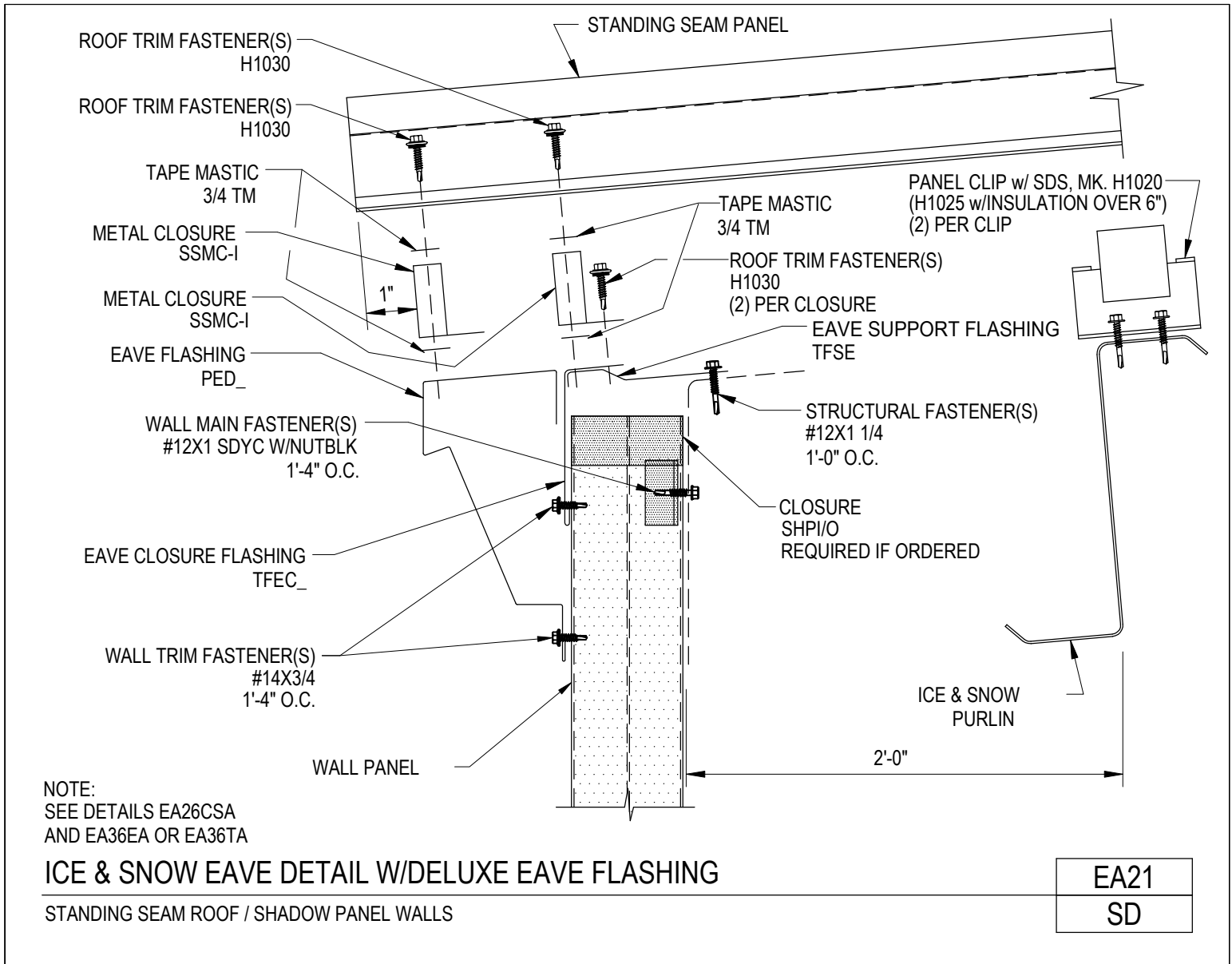
Ice & Snow Eave Detail w/ Deluxe Eave Flashing  
 Standing Seam Roof / Architectural III, Architectural "V" Rib, or Long Span III Walls  
 EA21/SB



[Download the DWG file by clicking here.](#)

[To Section Index](#)

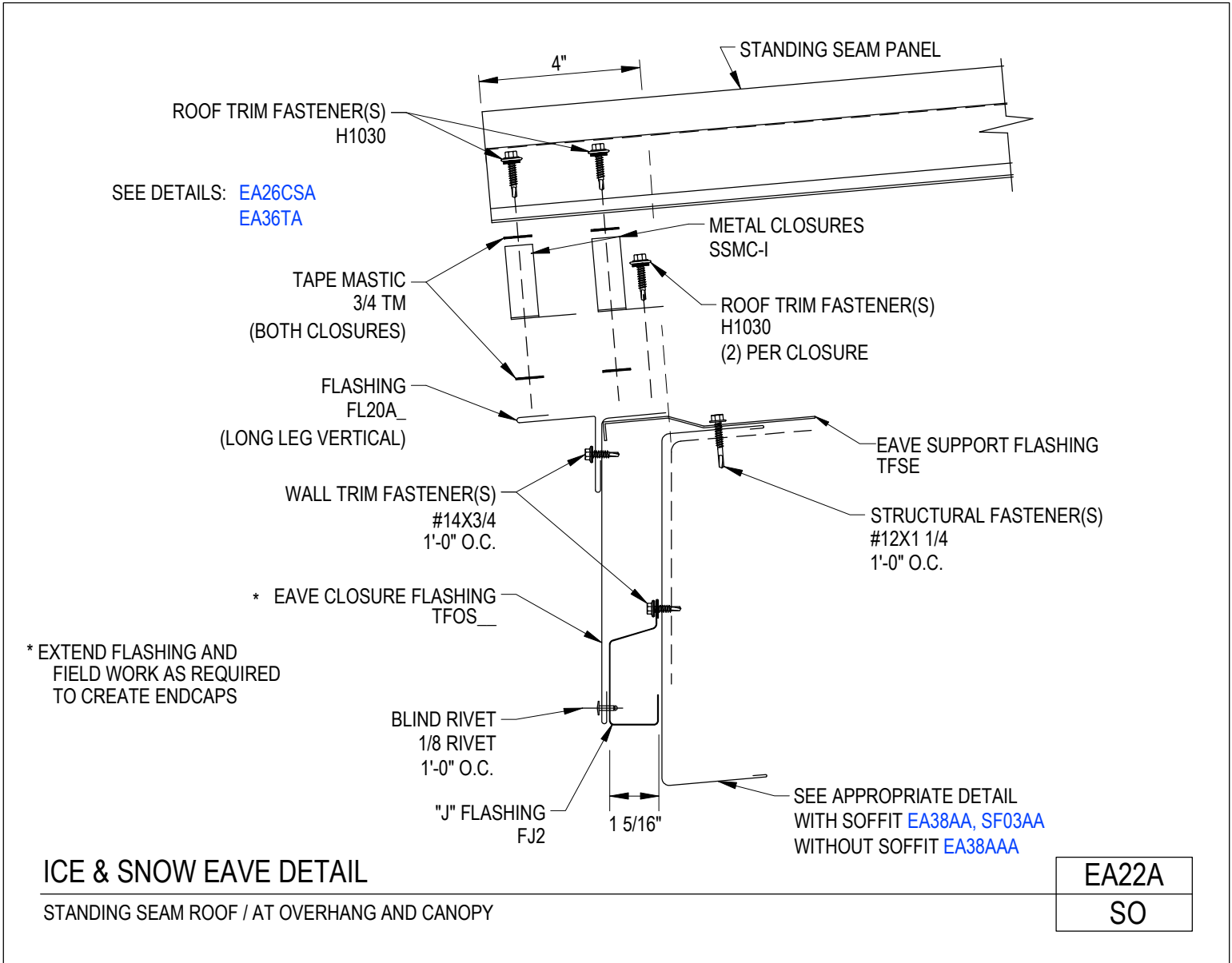
Ice & Snow Eave Detail w/ Deluxe Eave Flashing  
Standing Seam Roof / Shadow Panel Walls  
EA21/SD



[Download the DWG file by clicking here.](#)

[To Section Index](#)

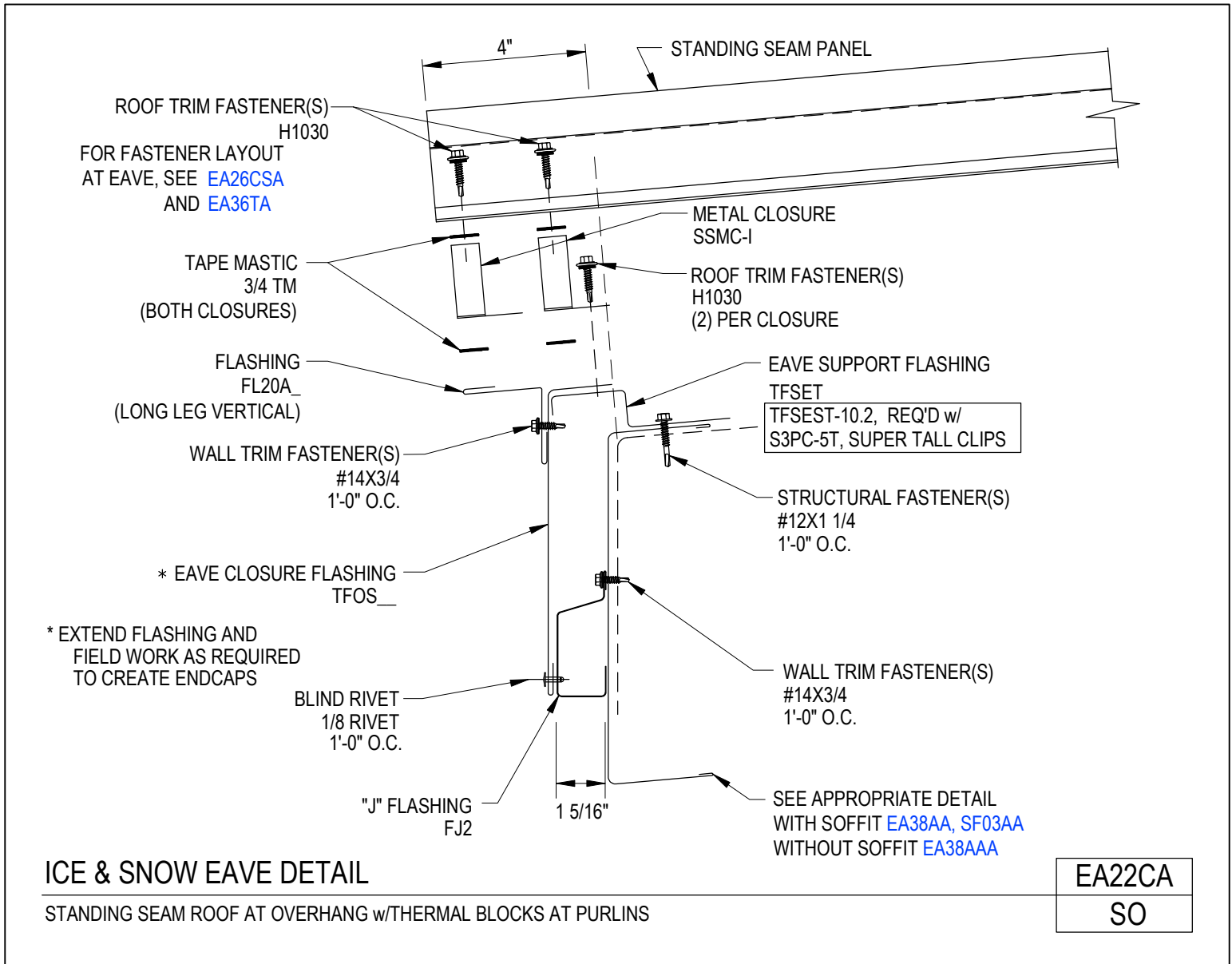
Ice & Snow Eave Detail  
Standing Seam Roof / At Overhang and Canopy  
EA22A/SO



[Download the DWG file by clicking here.](#)

[To Section Index](#)

Ice & Snow Detail  
Standing Seam Roof at Overhang w/ Thermal Blocks at Purlins  
EA22CA/SO



[Download the DWG file by clicking here.](#)



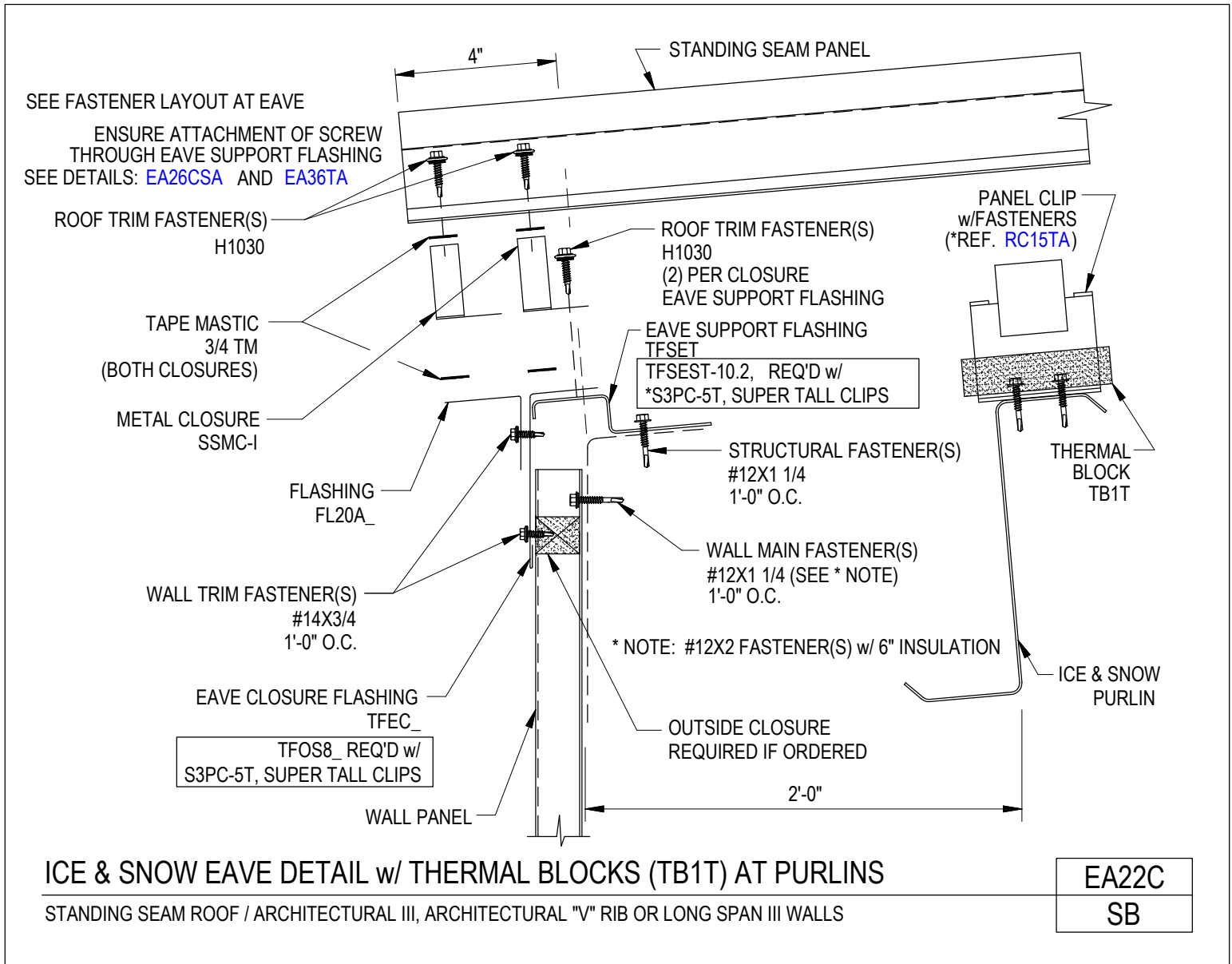
# AMERICAN BUILDINGS

A NUCOR COMPANY

# PRODUCT MANUAL

STANDING SEAM ROOF PANEL

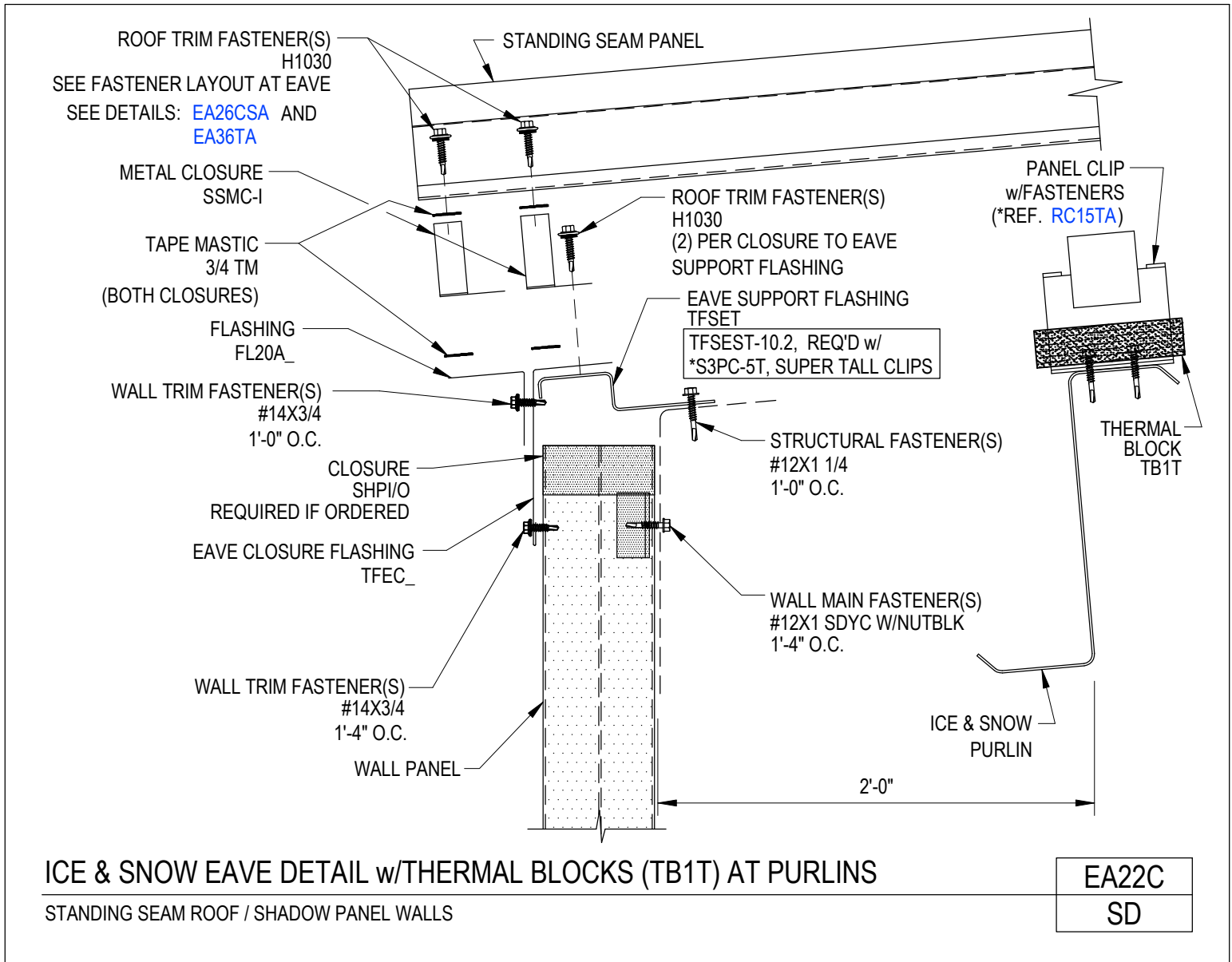
Ice & Snow Eave Detail w/ Thermal Blocks (TB1T) at Purlins  
Standing Seam Roof / Architectural III, Architectural "V" Rib or Long Span III Walls  
EA22C/SB



[Download the DWG file by clicking here.](#)

[To Section Index](#)

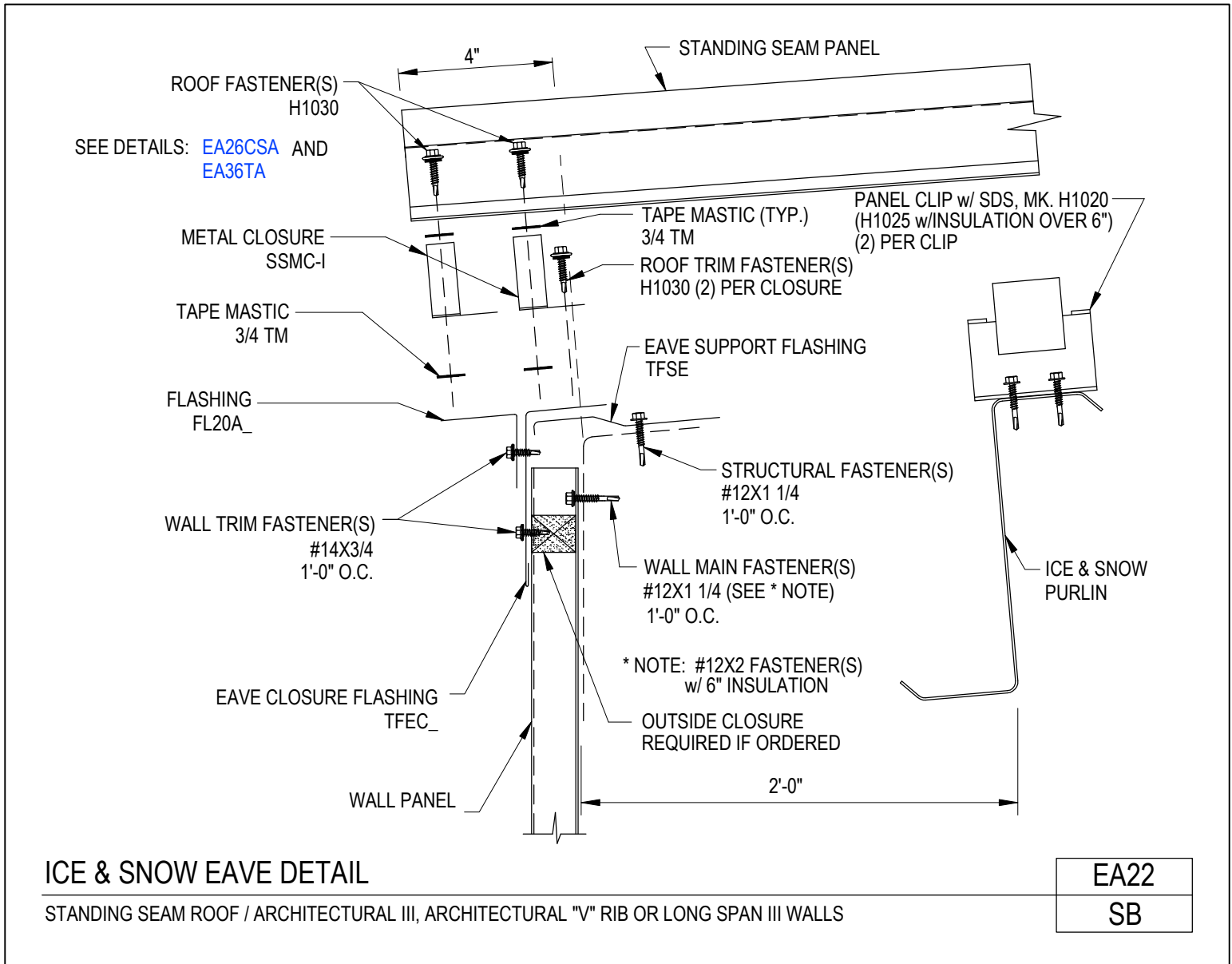
Ice & Snow Detail w/ Thermal Blocks (TB1T) at Purlins  
Standing Seam Roof / Shadow Panel Walls  
EA22C/SD



[Download the DWG file by clicking here.](#)

[To Section Index](#)

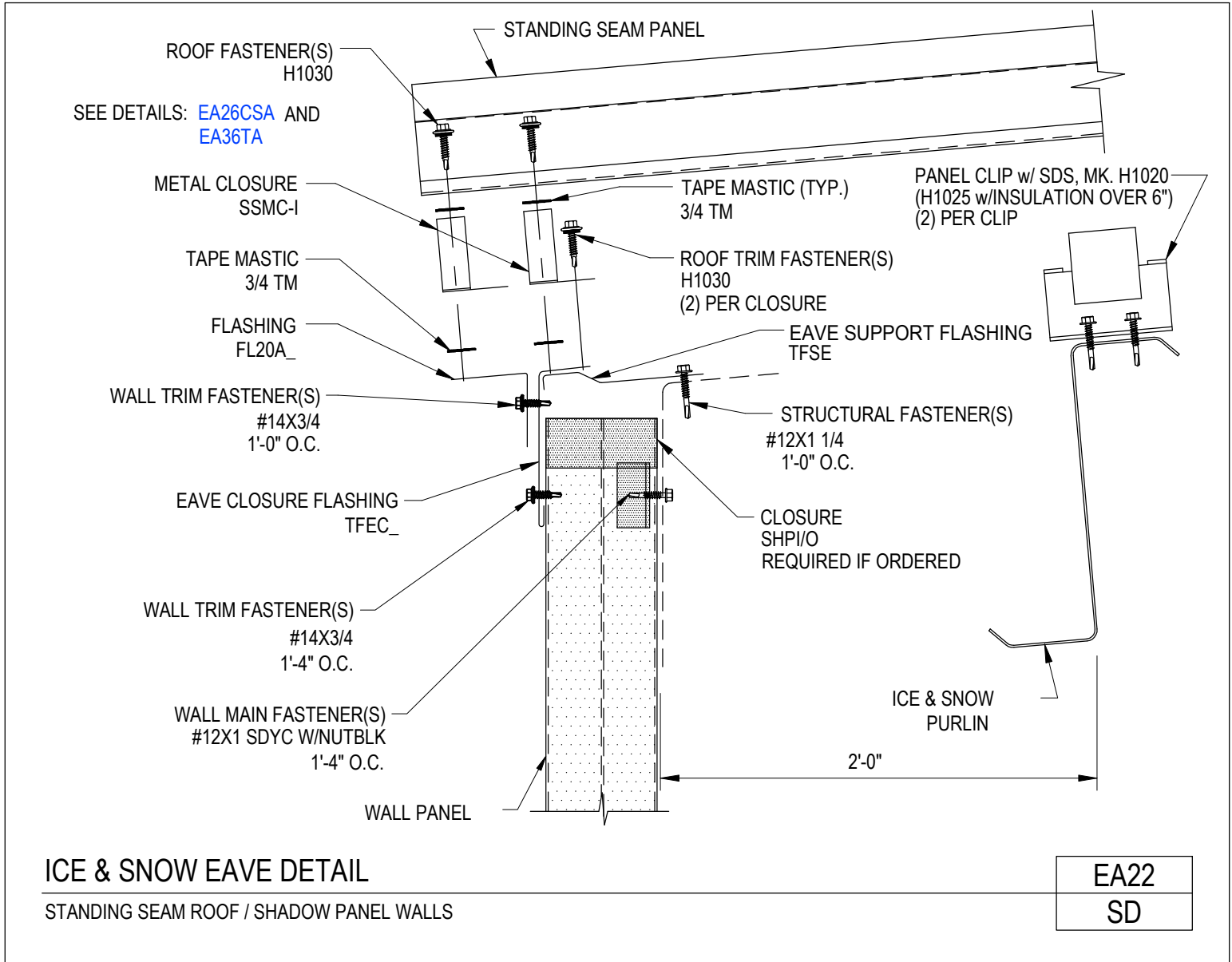
Ice & Snow Eave Detail  
Standing Seam Roof / Architectural III, Architectural "V" Rib or Long Span III Walls  
EA22/SB



[Download the DWG file by clicking here.](#)

[To Section Index](#)

Ice & Snow Eave Detail  
Standing Seam Roof / Shadow Panel Walls  
EA22/SD

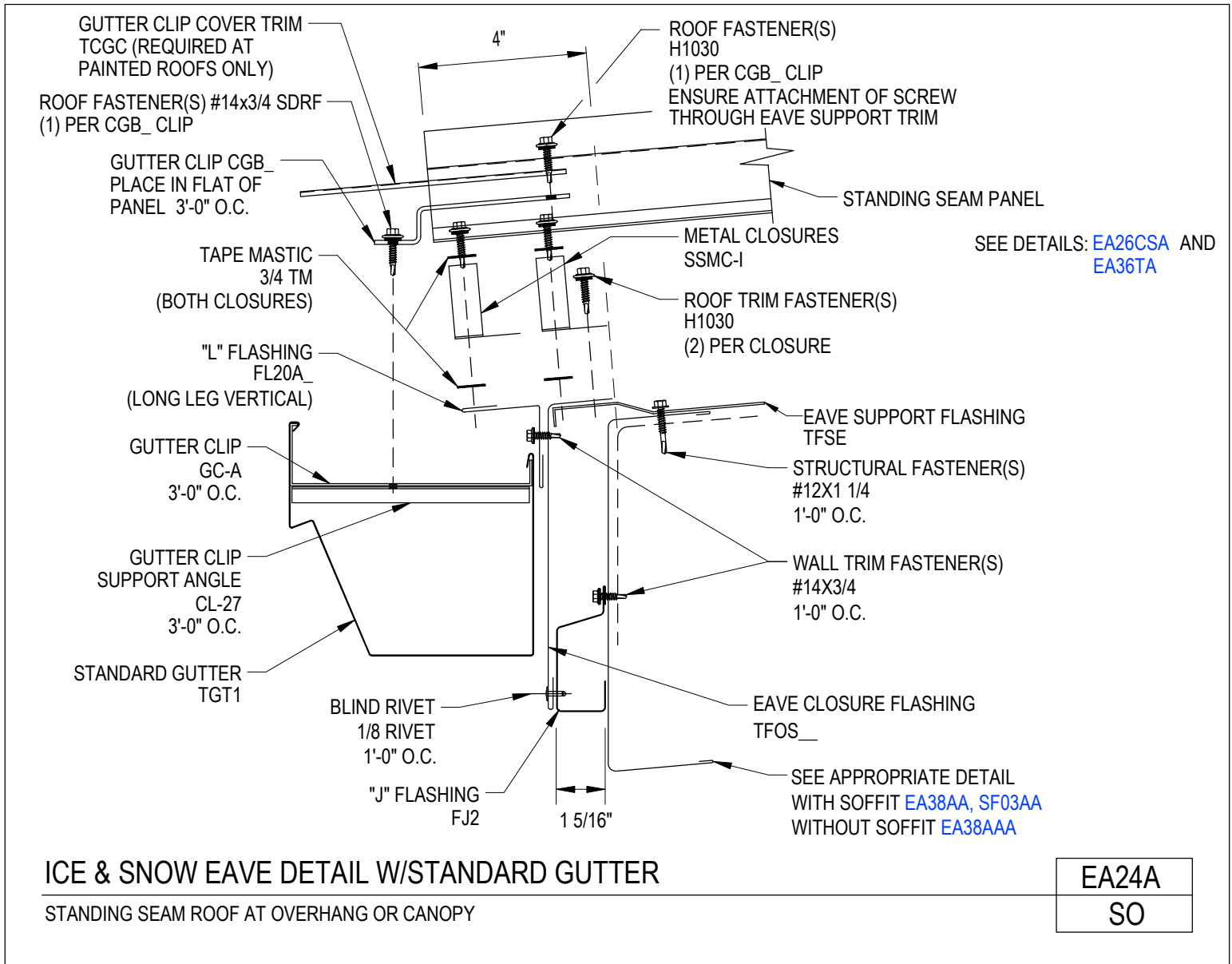


[Download the DWG file by clicking here.](#)

[To Section Index](#)



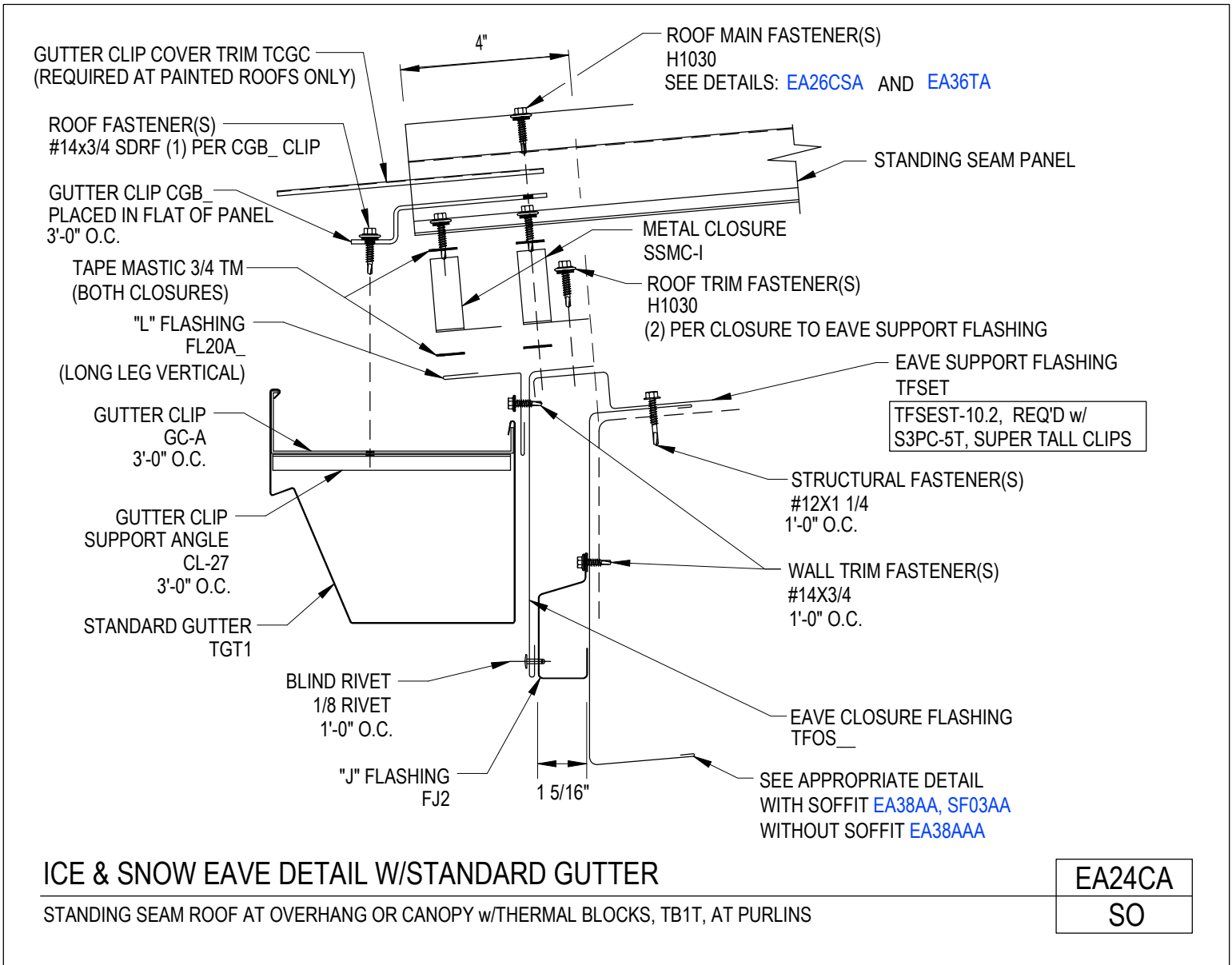
Ice & Snow Eave Detail w/ Standard Gutter  
Standing Seam Roof at Overhang  
EA24A/SO



[Download the DWG file by clicking here.](#)

[To Section Index](#)

Ice & Snow Eave Detail w/ Standard Gutter  
Standing Seam Roof at Overhang with Thermal Blocks  
EA24CA/SO



[Download the DWG file by clicking here.](#)



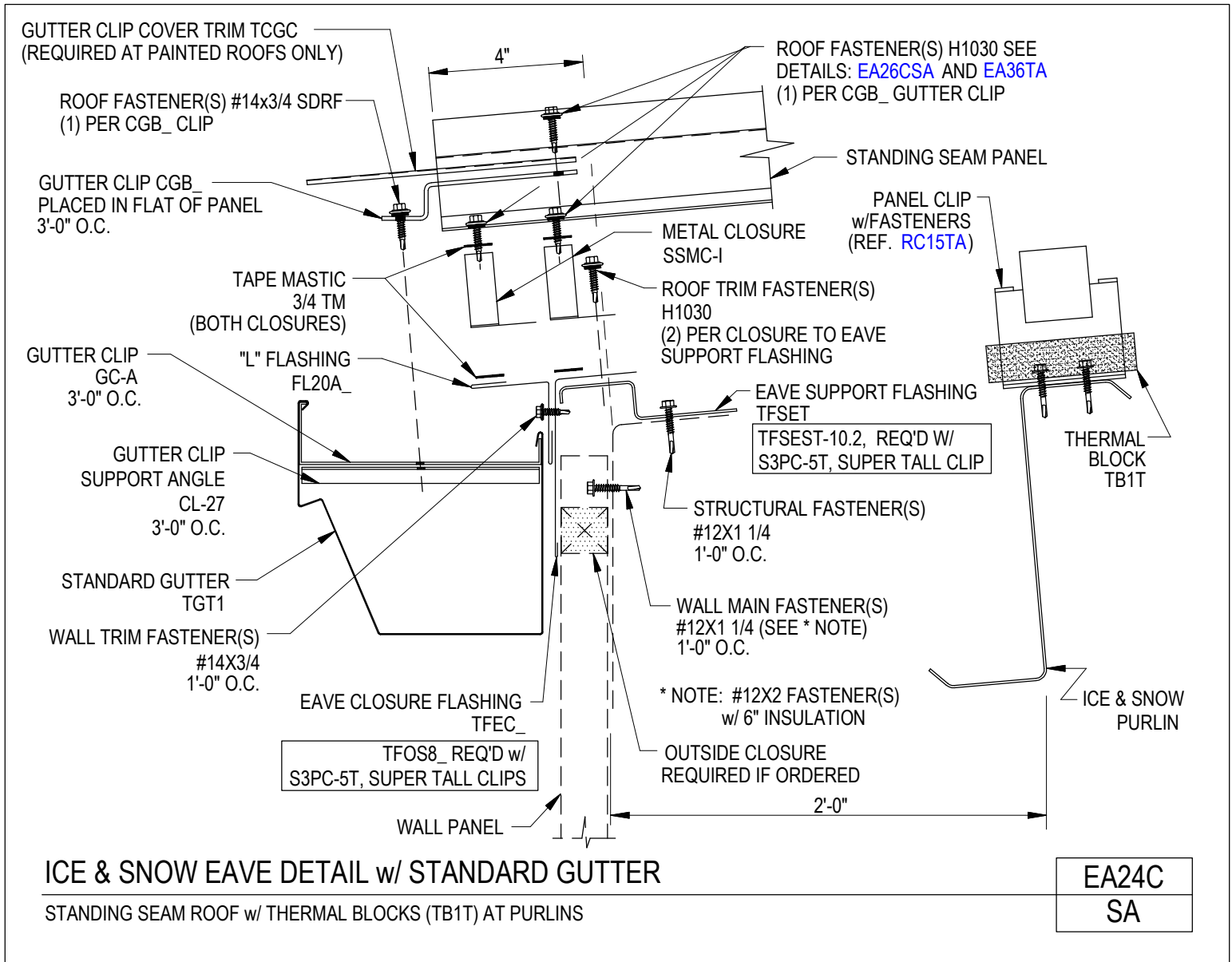
# AMERICAN BUILDINGS

A NUCOR COMPANY

# PRODUCT MANUAL

STANDING SEAM ROOF PANEL

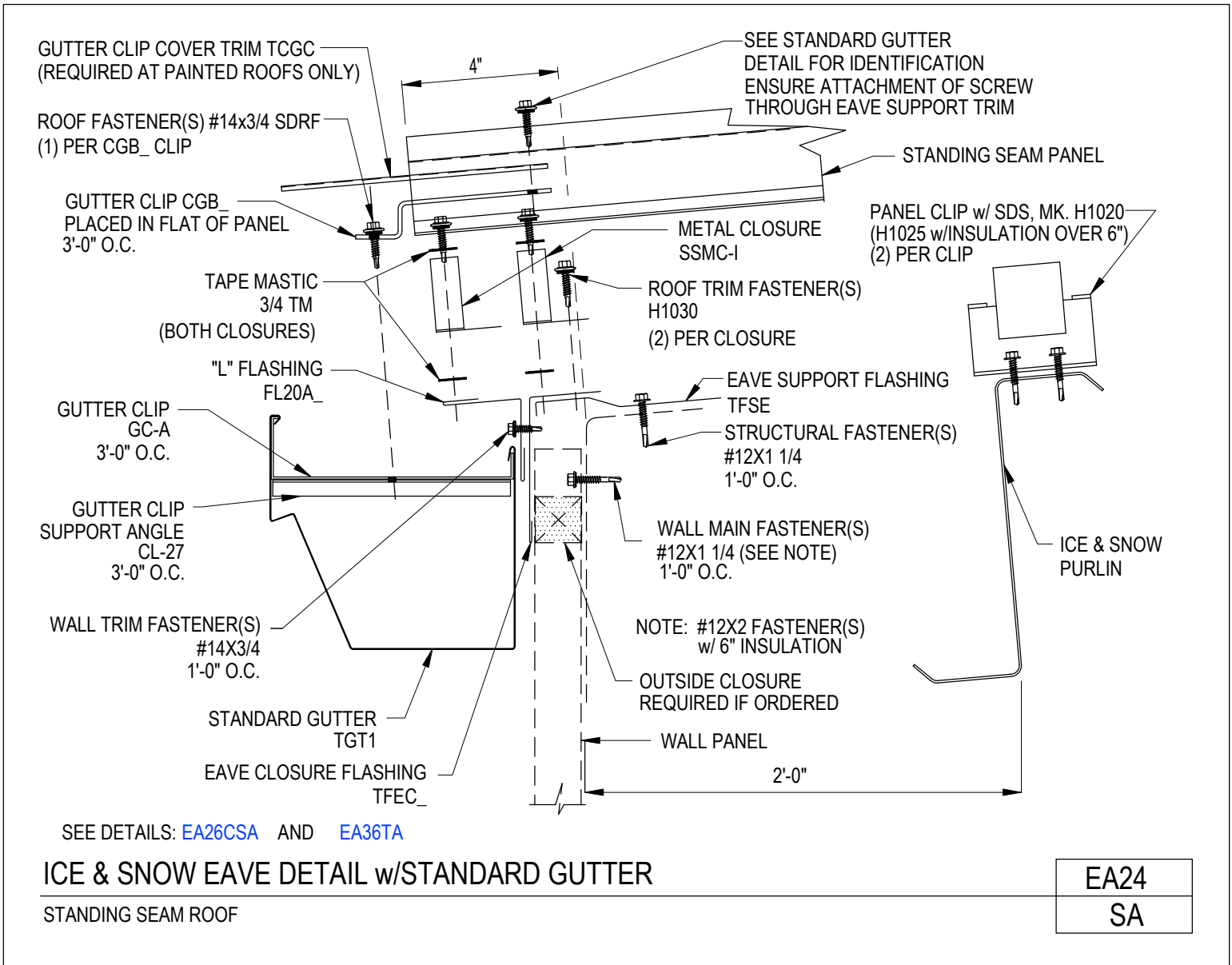
Ice & Snow Eave Detail w/ Standard Gutter  
Standing Seam Roof with Thermal Block  
EA24C/SA



[Download the DWG file by clicking here.](#)

[To Section Index](#)

Ice & Snow Eave Detail w/ Standard Gutter  
Standing Seam Roof  
EA24/SA



[Download the DWG file by clicking here.](#)

[To Section Index](#)



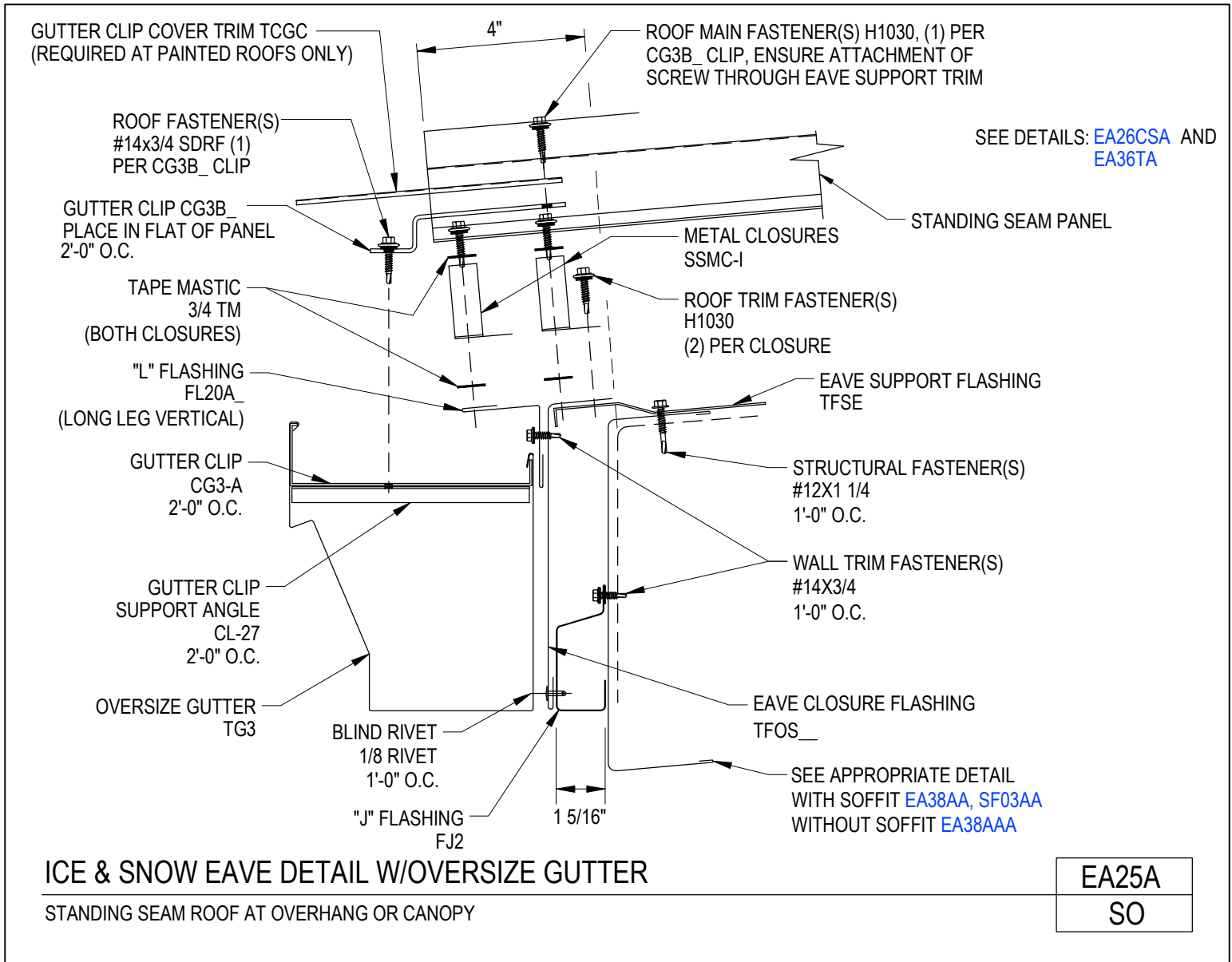
**AMERICAN  
BUILDINGS**

A **NUCOR** COMPANY

# PRODUCT MANUAL

STANDING SEAM ROOF PANEL

Ice & Snow Eave Detail w/ Oversize Gutter  
Standing Seam Roof at Overhang  
EA25A/SO



[Download the DWG file by clicking here.](#)

[To Section Index](#)



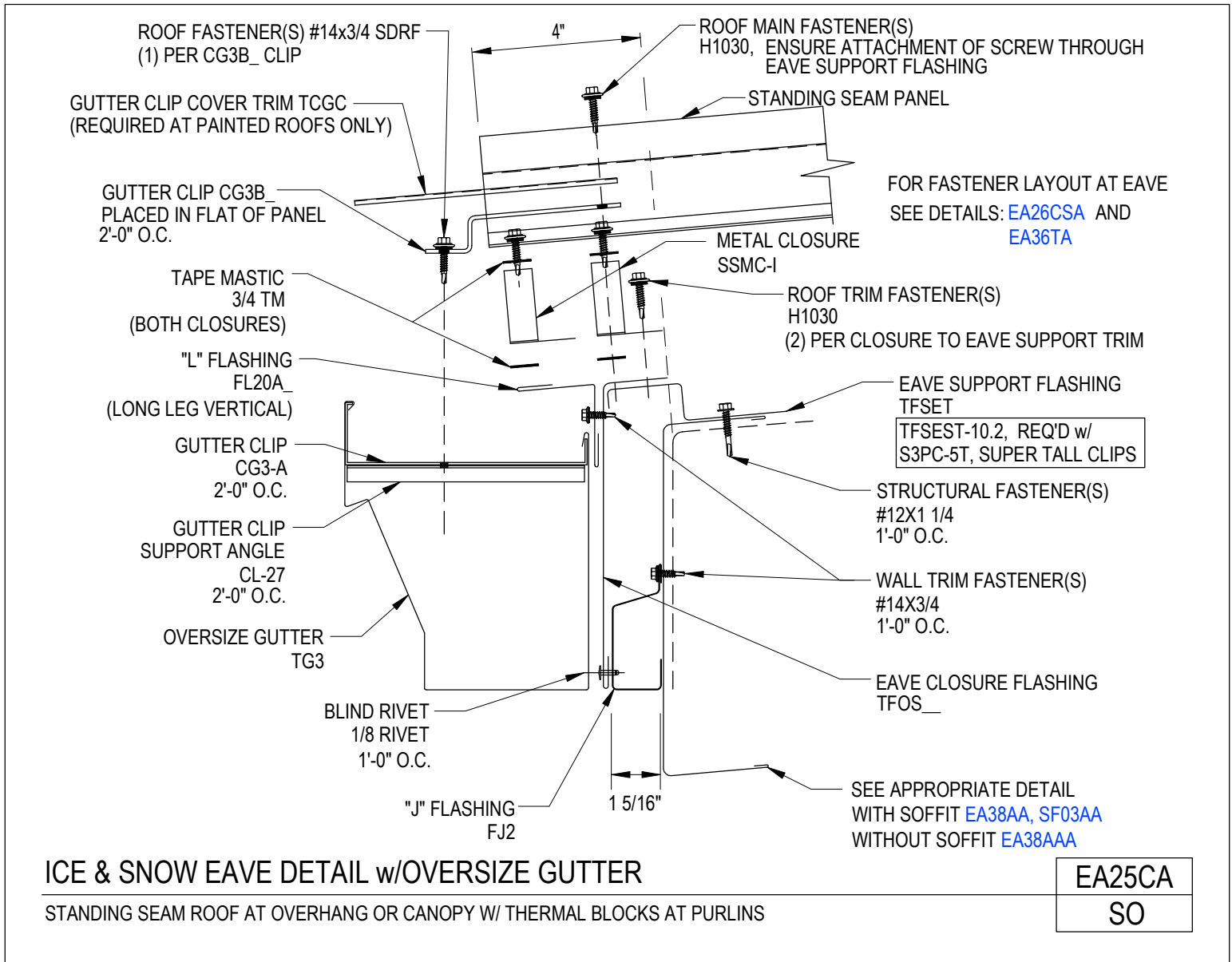
**AMERICAN  
BUILDINGS**

A **NUCOR** COMPANY

# PRODUCT MANUAL

STANDING SEAM ROOF PANEL

Ice & Snow Eave Detail w/ Oversize Gutter  
Standing Seam Roof at Overhang with Thermal Blocks  
EA25CA/SO



[Download the DWG file by clicking here.](#)

[To Section Index](#)

Revised: 03.05.21 (MR2021.03)



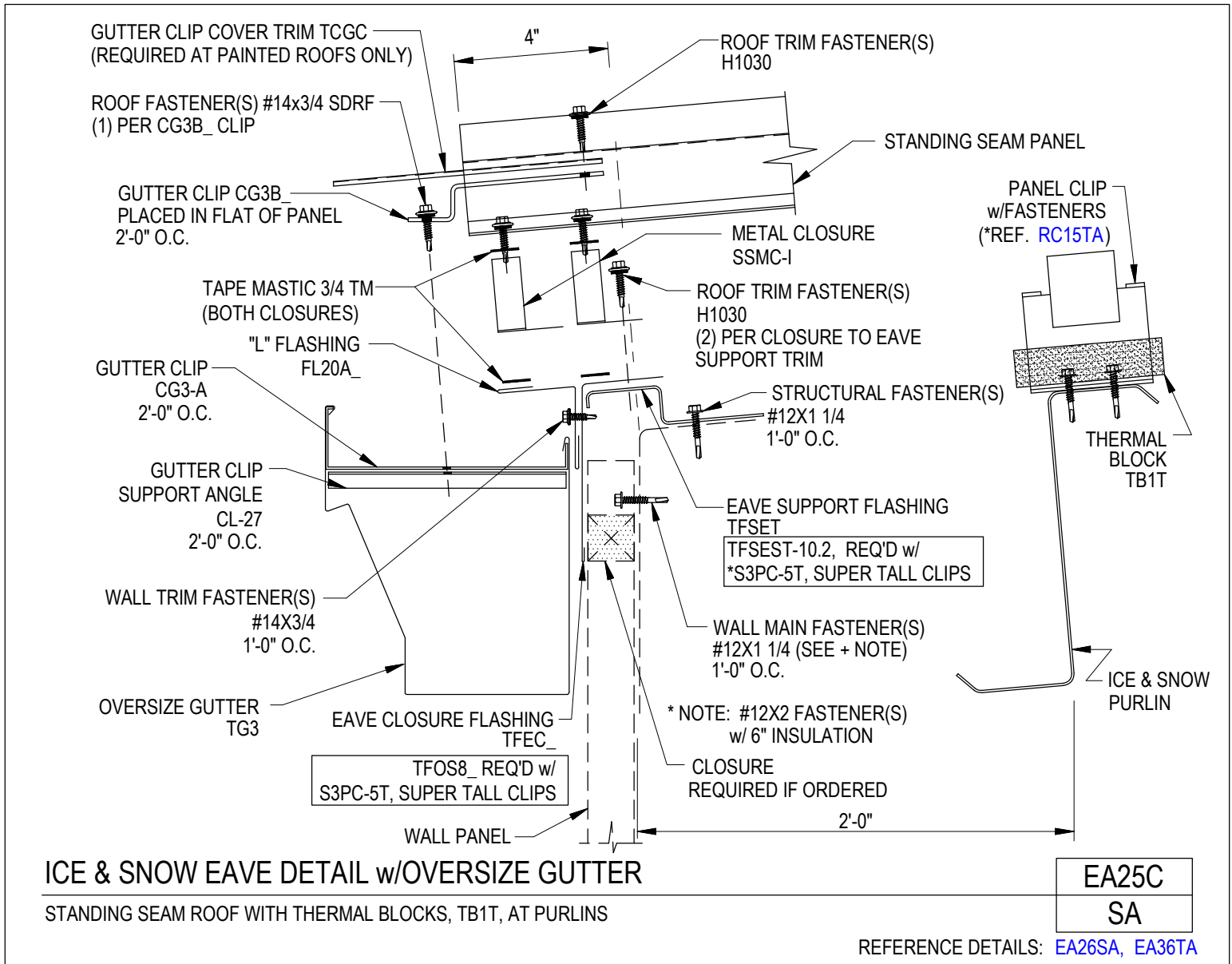
# AMERICAN BUILDINGS

A NUCOR COMPANY

# PRODUCT MANUAL

STANDING SEAM ROOF PANEL

Ice & Snow Eave Detail w/ Oversize Gutter  
Standing Seam Roof w/ Thermal Block  
EA25C/SA



[Download the DWG file by clicking here.](#)

[To Section Index](#)

Revised: 06.23.21 (MR2021.08)





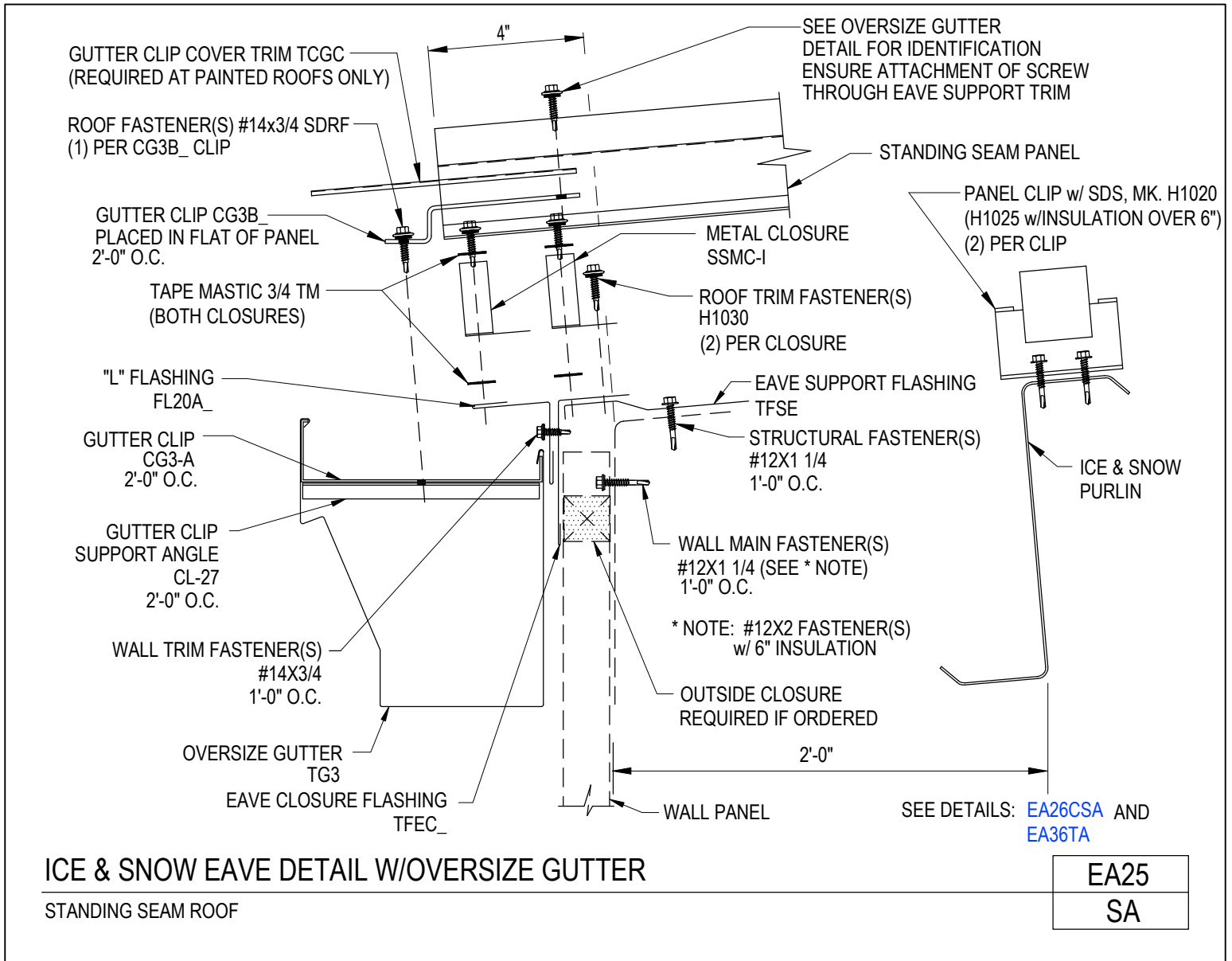
**AMERICAN  
BUILDINGS**

A **NUCOR** COMPANY

# PRODUCT MANUAL

STANDING SEAM ROOF PANEL

Ice & Snow Eave Detail w/ Oversize Gutter  
Standing Seam Roof  
EA25/SA



## ICE & SNOW EAVE DETAIL W/OVERSIZE GUTTER

STANDING SEAM ROOF

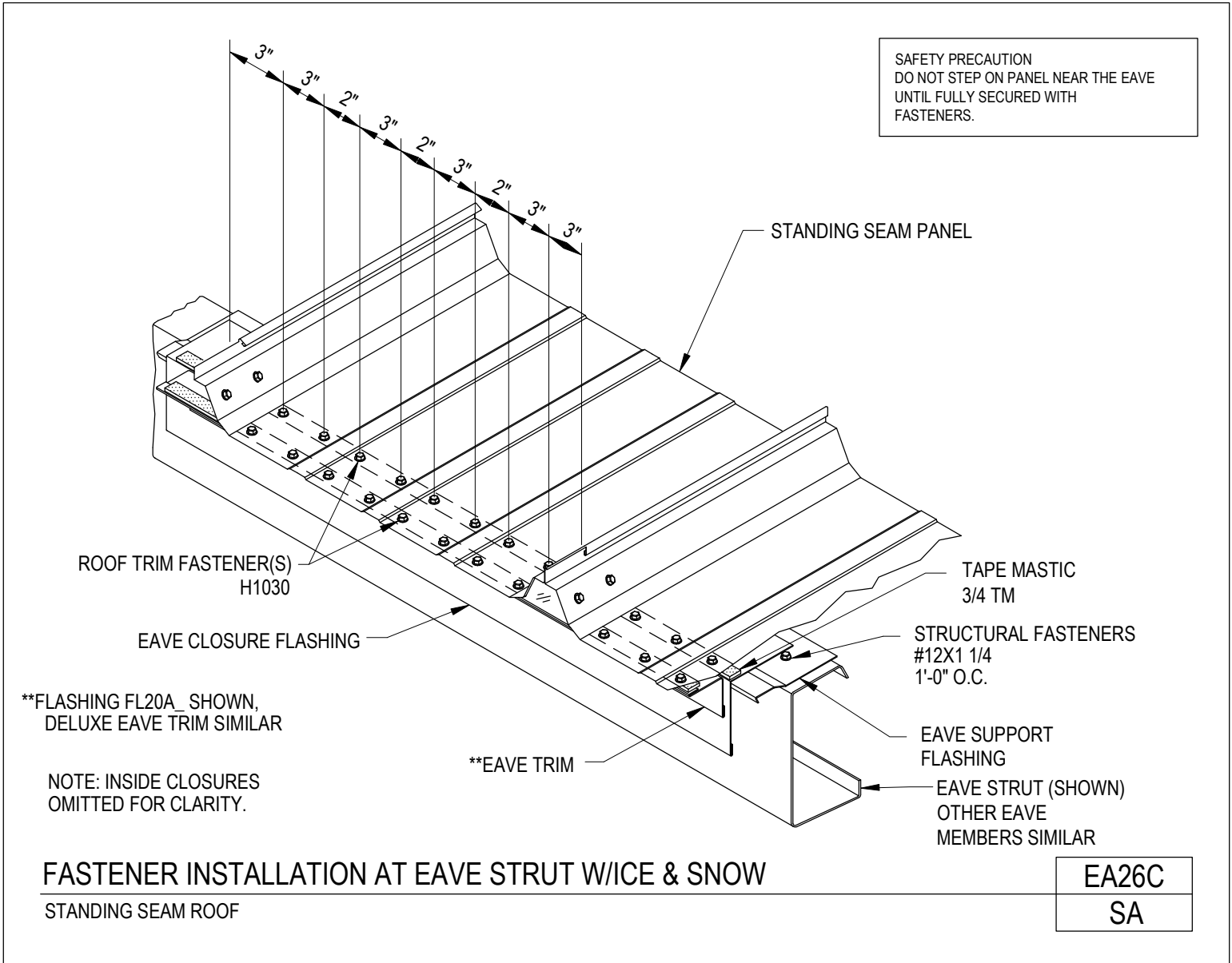
[Download the DWG file by clicking here.](#)

[To Section Index](#)

Revised: 03.05.21 (MR2021.03)



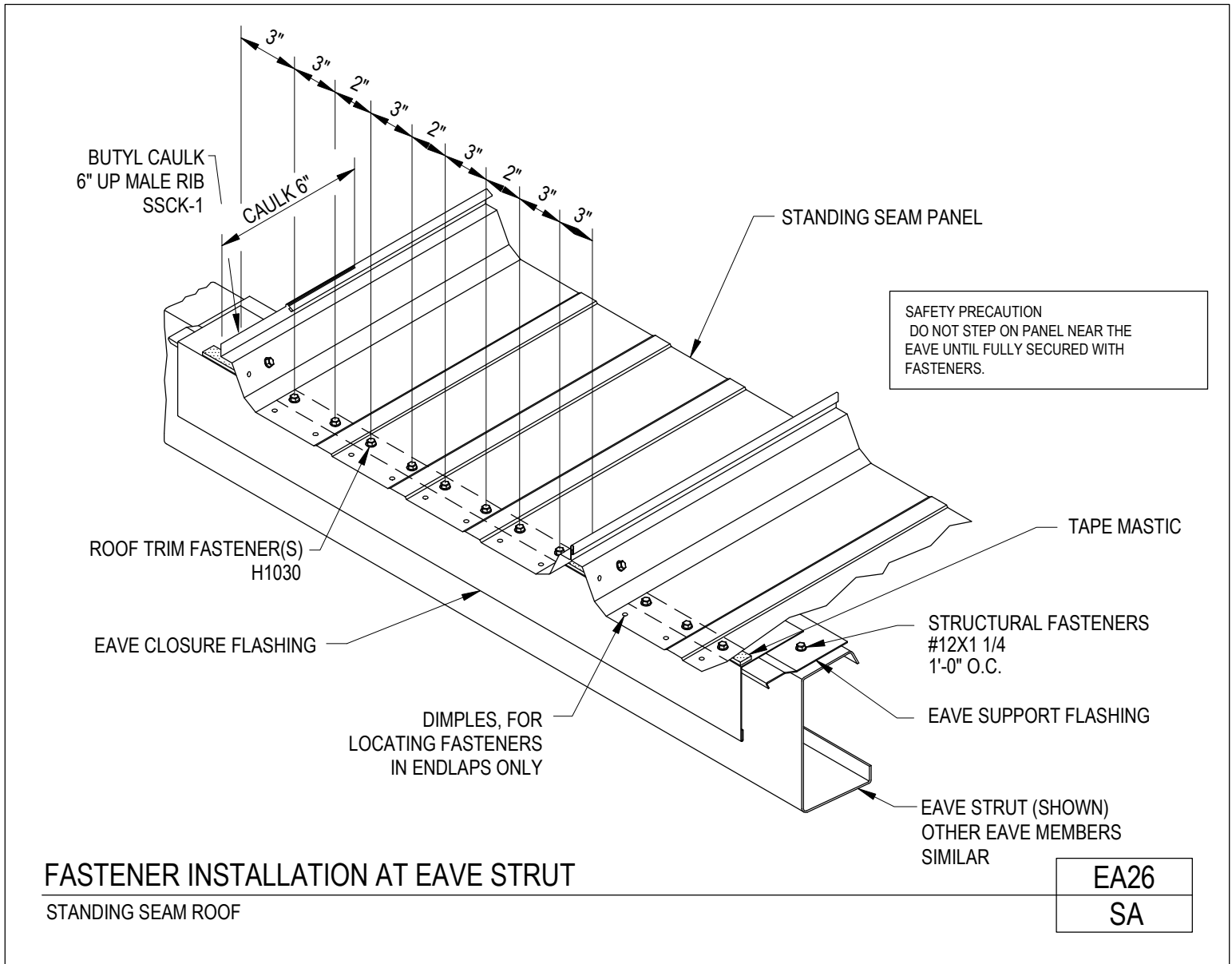
Fastener Installation at Eave Strut w/ Ice & Snow  
Standing Seam Roof  
EA26C/SA



[Download the DWG file by clicking here.](#)

[To Section Index](#)

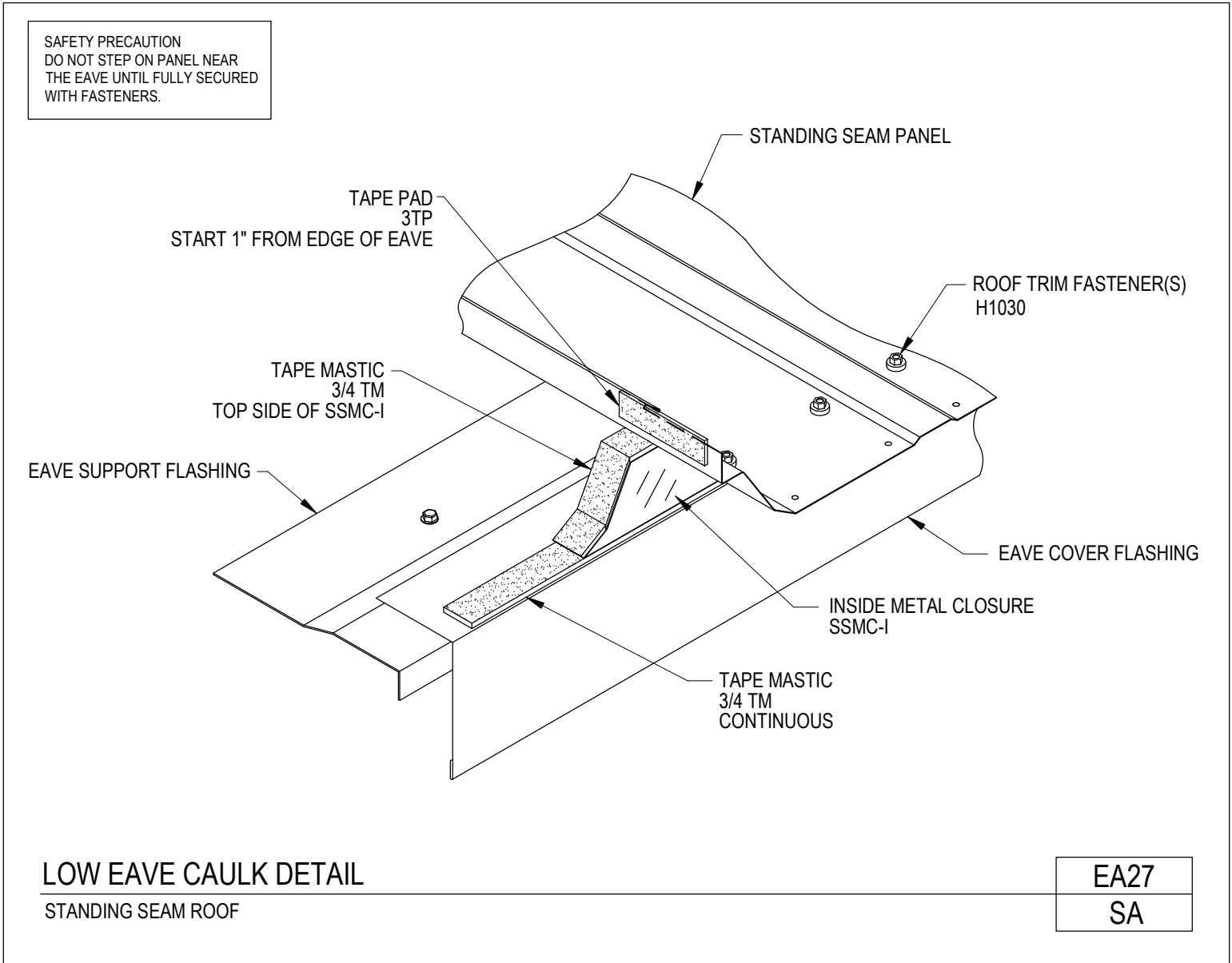
Fastener Installation at Eave Support  
Standing Seam Roof  
EA26/SA



[Download the DWG file by clicking here.](#)

[To Section Index](#)

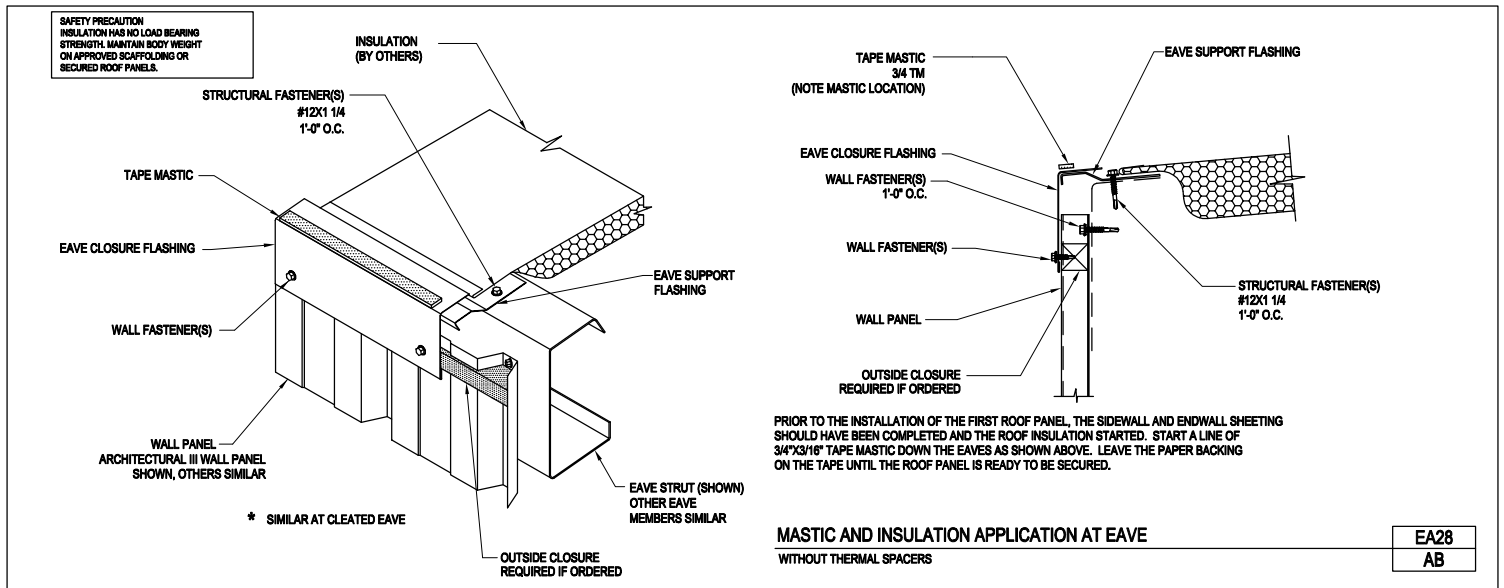
Low Eave Caulk Detail  
Standing Seam Roof  
EA27/SA



[Download the DWG file by clicking here.](#)

[To Section Index](#)

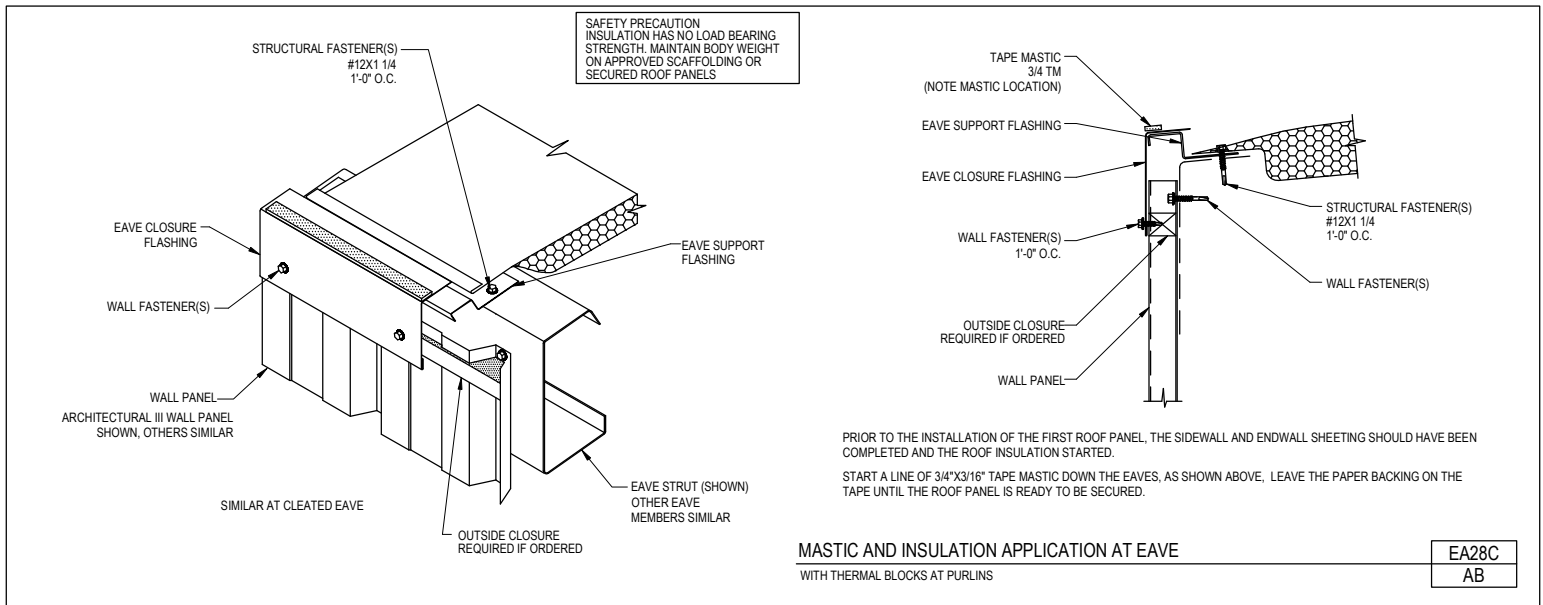
Mastic and Insulation Application at Eave  
Without Thermal Blocks  
EA28/AB



[Download the DWG file by clicking here.](#)

[To Section Index](#)

Mastic and Insulation Application at Eave  
With Thermal Blocks  
EA28C/AB



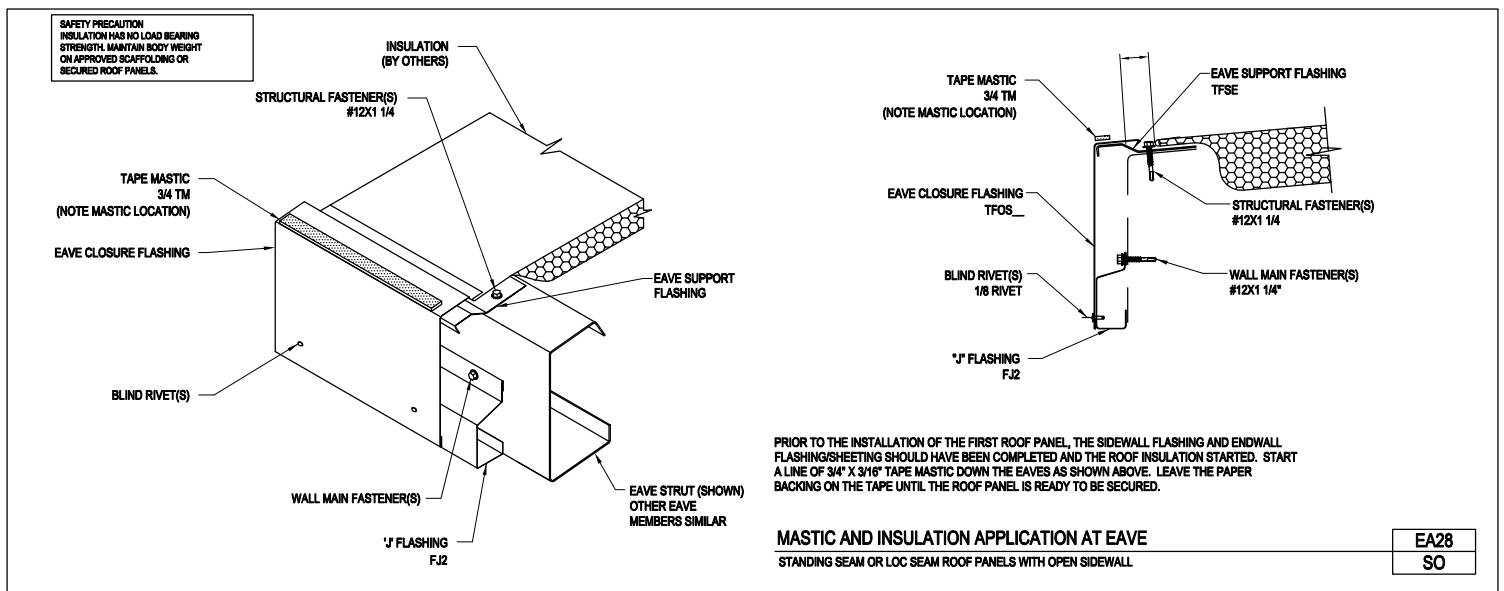
**MASTIC AND INSULATION APPLICATION AT EAVE**  
WITH THERMAL BLOCKS AT PURLINS

EA28C
AB

[Download the DWG file by clicking here.](#)

[To Section Index](#)

Mastic and Insulation at Eave  
Standing Seam or Loc Seam Roof Panels with Open Sidewall  
EA28/SO

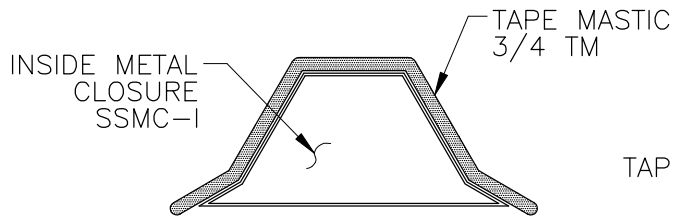


[Download the DWG file by clicking here.](#)

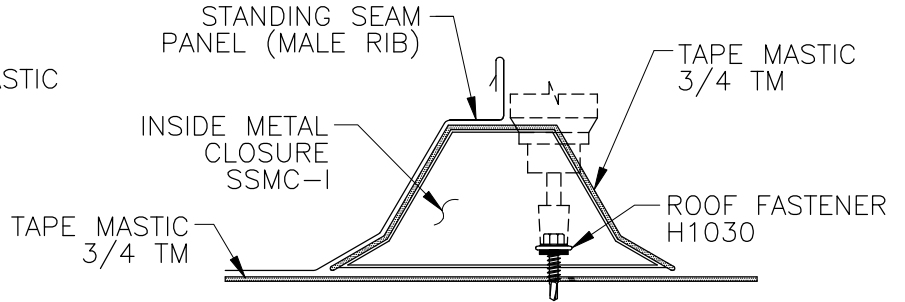
[To Section Index](#)

Inside Metal Closure Installation at High Side Eave  
Standing Seam II / Standing Seam 360  
EA36A/SO

AS YOU ARE SETTING EACH PANEL, INSTALL THE EAVE CLOSURE AS PER THE FOLLOWING INSTRUCTIONS

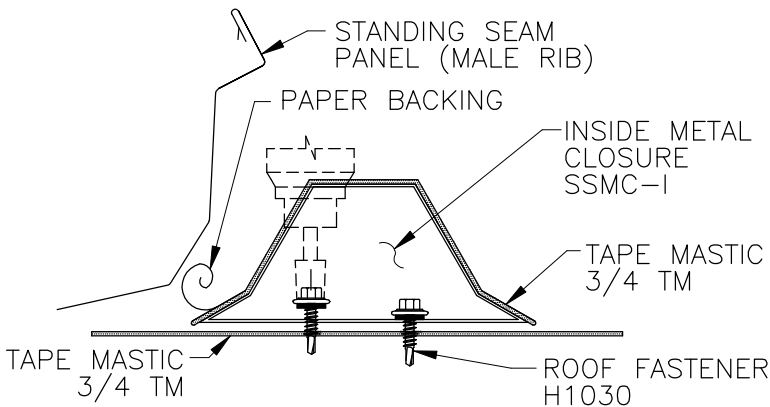


**STEP 1.** APPLY TAPE MASTIC TO TOP SIDE OF METAL CLOSURE. DO NOT REMOVE THE PAPER BACKING.

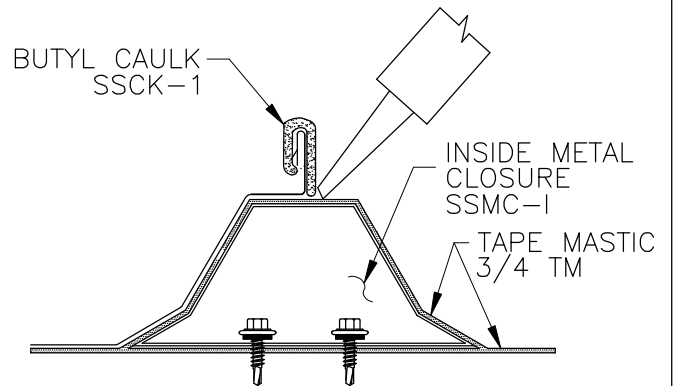


**STEP 2.** POSITION CLOSURE UNDER MALE RIB AND INSTALL THE OUTSIDE FASTENER THROUGH THE PRE-PUNCHED HOLES.

DO NOT ATTACH ROOF PANEL TO INSIDE CLOSURE WITH FASTENERS!



**STEP 3.** LIFT PANEL AND INSTALL THE INSIDE FASTENER. REMOVE THE PAPER FROM THE MASTIC AND PRESS THE PANEL FIRMLY IN PLACE.



**STEP 4.** APPLY CAULKING TO THE INSIDE FACE OF THE SEAM OVER THE CLOSURE.

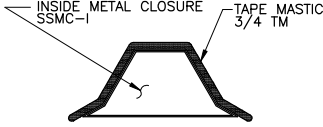
INSIDE METAL CLOSURE INSTALLATION AT HIGH SIDE EAVE  
W/ OVERHANG OR CANOPY WITHOUT SOFFIT  
STANDING SEAM II / STANDING SEAM 360

EA36A
SO

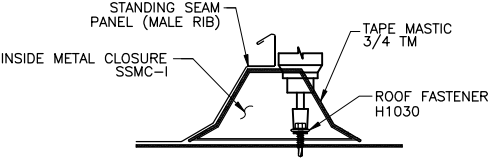
[Download the DWG file by clicking here.](#)

Inside Metal Closure Installation  
Standing Seam Roof Panel  
EA36/TA

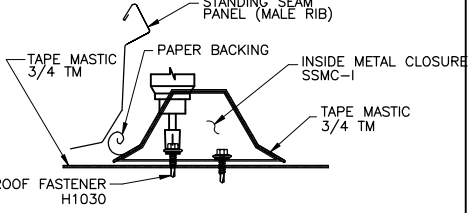
AS YOU ARE SETTING EACH PANEL, INSTALL THE EAVE CLOSURE AS PER THE FOLLOWING INSTRUCTIONS



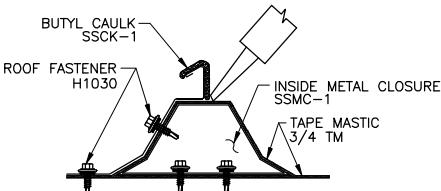
**STEP 1.** APPLY TAPE MASTIC TO TOP SIDE OF METAL CLOSURE. DO NOT REMOVE THE PAPER BACKING.



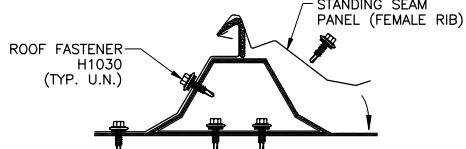
**STEP 2.** POSITION CLOSURE UNDER MALE RIB AND INSTALL THE OUTSIDE FASTENER THROUGH THE PRE-PUNCHED HOLES.



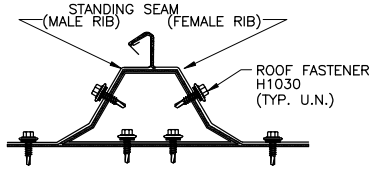
**STEP 3.** LIFT PANEL AND INSTALL THE INSIDE FASTENER. REMOVE THE PAPER FROM THE MASTIC AND PRESS THE PANEL FIRMLY IN PLACE.



**STEP 4.** INSTALL EAVE FASTENERS IN THE FLAT OF THE PANEL IN THE CORRECT PATTERN. INSTALL A FASTENER THROUGH THE SIDE OF THE CLOSURE AS SHOWN ABOVE. APPLY CAULKING TO THE INSIDE FACE OF THE SEAM OVER THE CLOSURE.



**STEP 5.** INSTALL THE NEXT PANEL RUN AND REPEAT STEPS 1 - 4. BE SURE TO INSTALL A ROOF FASTENER INTO THE SIDE OF THE NEXT PANEL AS SHOWN ABOVE.



A PROPERLY COMPLETED RIB CLOSURE

**INSIDE METAL CLOSURE INSTALLATION**  
STANDING SEAM ROOF PANEL

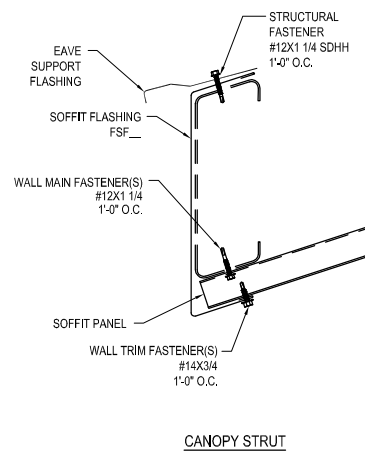
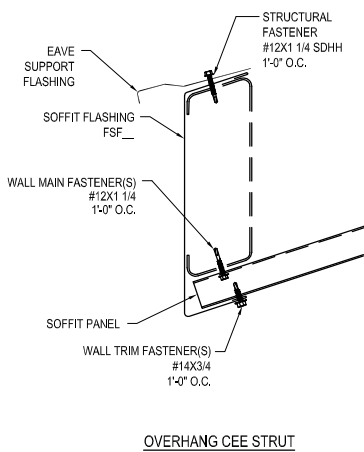
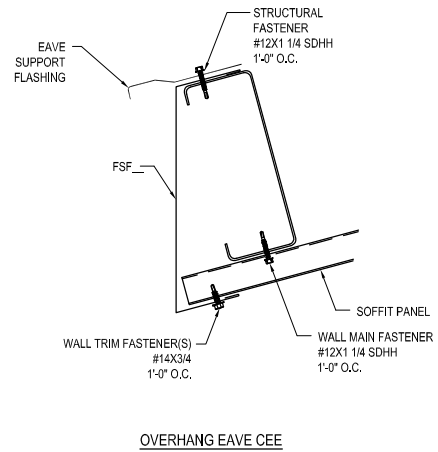
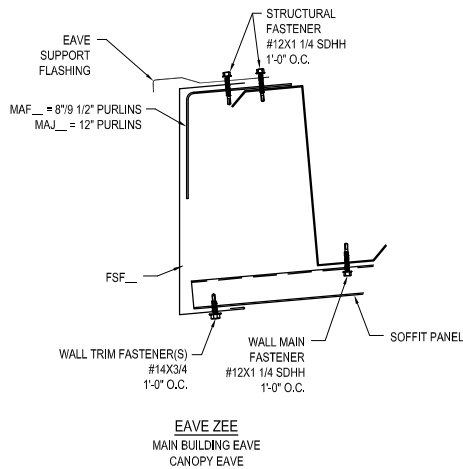
EA36
TA

[Download the DWG file by clicking here.](#)

[To Section Index](#)



Eave Member Type at Low Side  
With Soffit  
EA38/AA



NOTE: EAVE SUPPORT FLASHING NOT REQ'D FOR LONG SPAN III ROOF PANELS

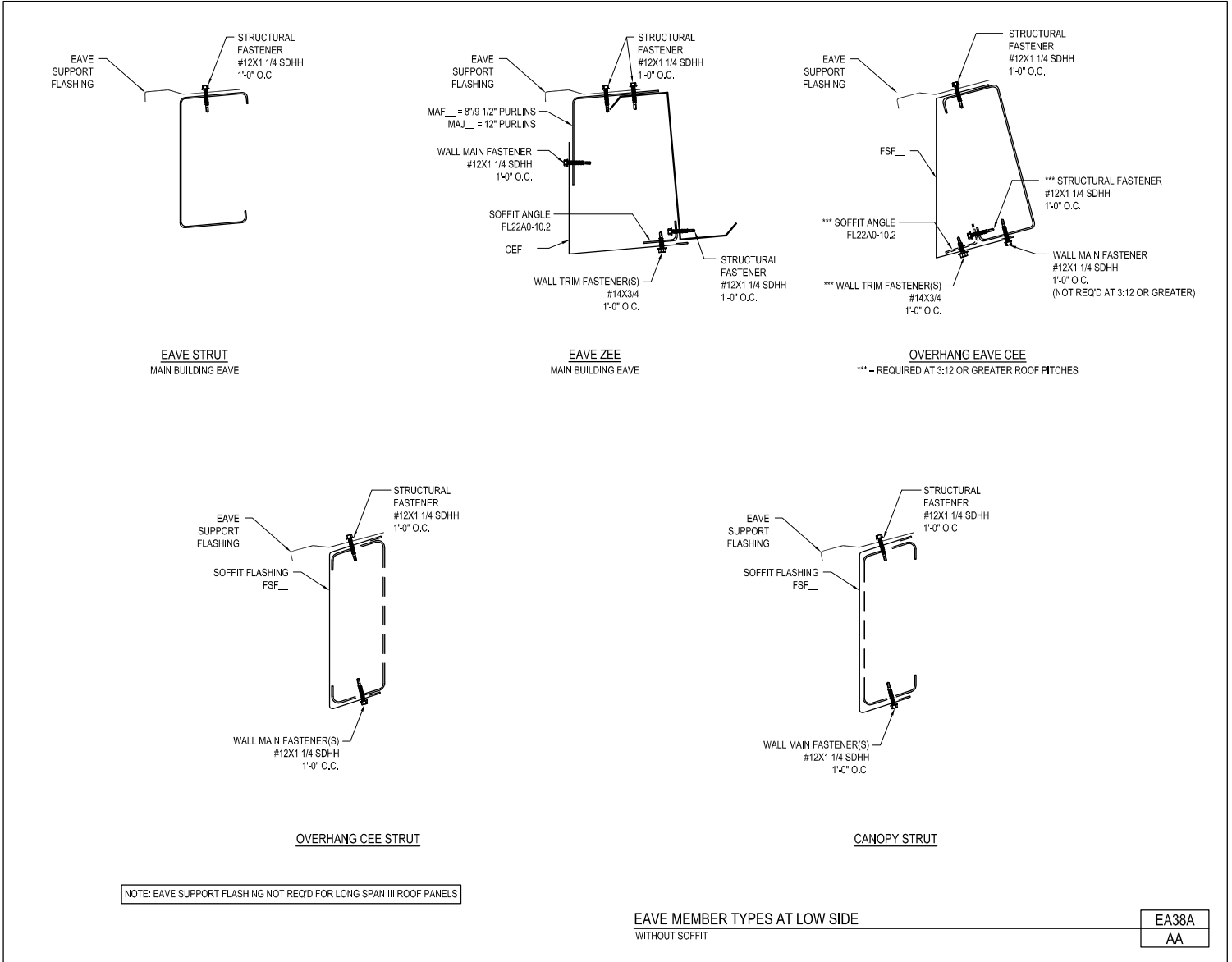
EAVE MEMBER TYPES AT LOW SIDE  
WITH SOFFIT

EA38  
AA

[Download the DWG file by clicking here.](#)

[To Section Index](#)

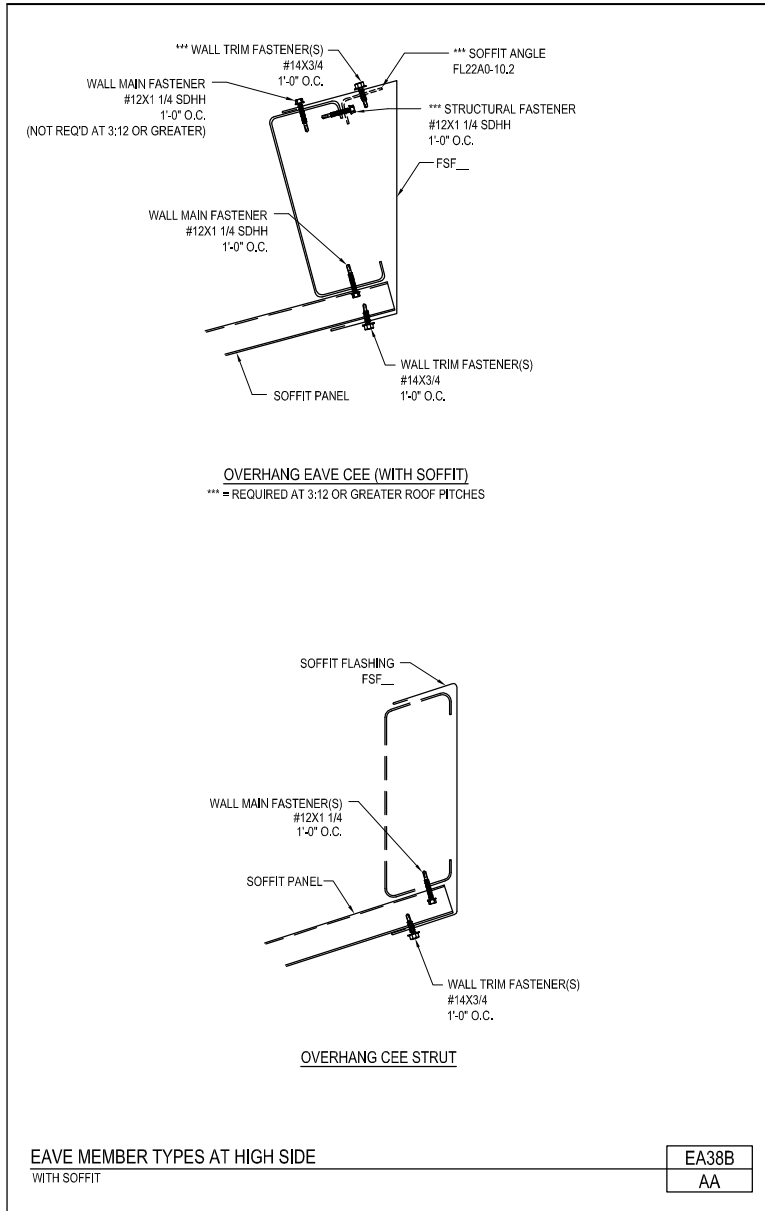
Eave Member Type at Low Side  
Without Soffit  
EA38A/AA



[Download the DWG file by clicking here.](#)

[To Section Index](#)

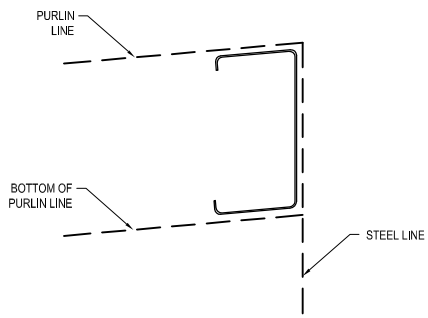
Eave Member Type at High Side  
With Soffit  
EA38B/AA



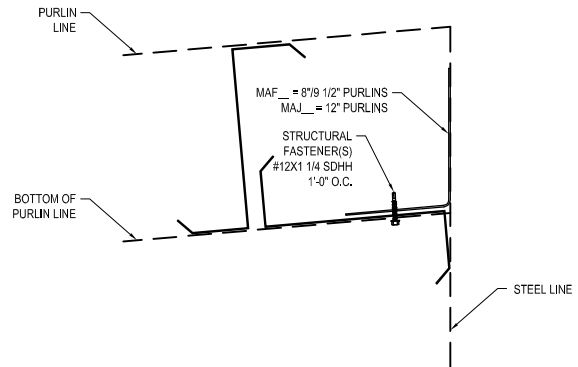
[Download the DWG file by clicking here.](#)

[To Section Index](#)

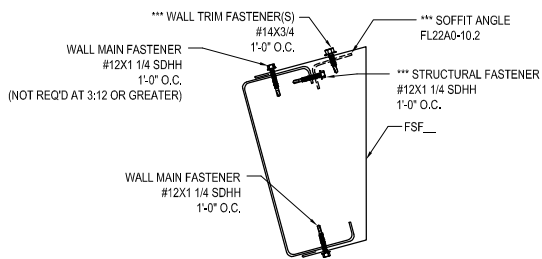
Eave Member Type at High Side  
Without Soffit  
EA38BA/AA



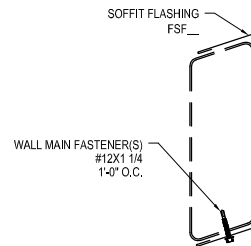
**EAVE STRUT (WITHOUT SOFFIT)**  
MAIN BUILDING EAVE



**EAVE ZEE**  
MAIN BUILDING EAVE



**OVERHANG EAVE CEE**  
\*\*\* = REQUIRED AT 3:12 OR GREATER ROOF PITCHES



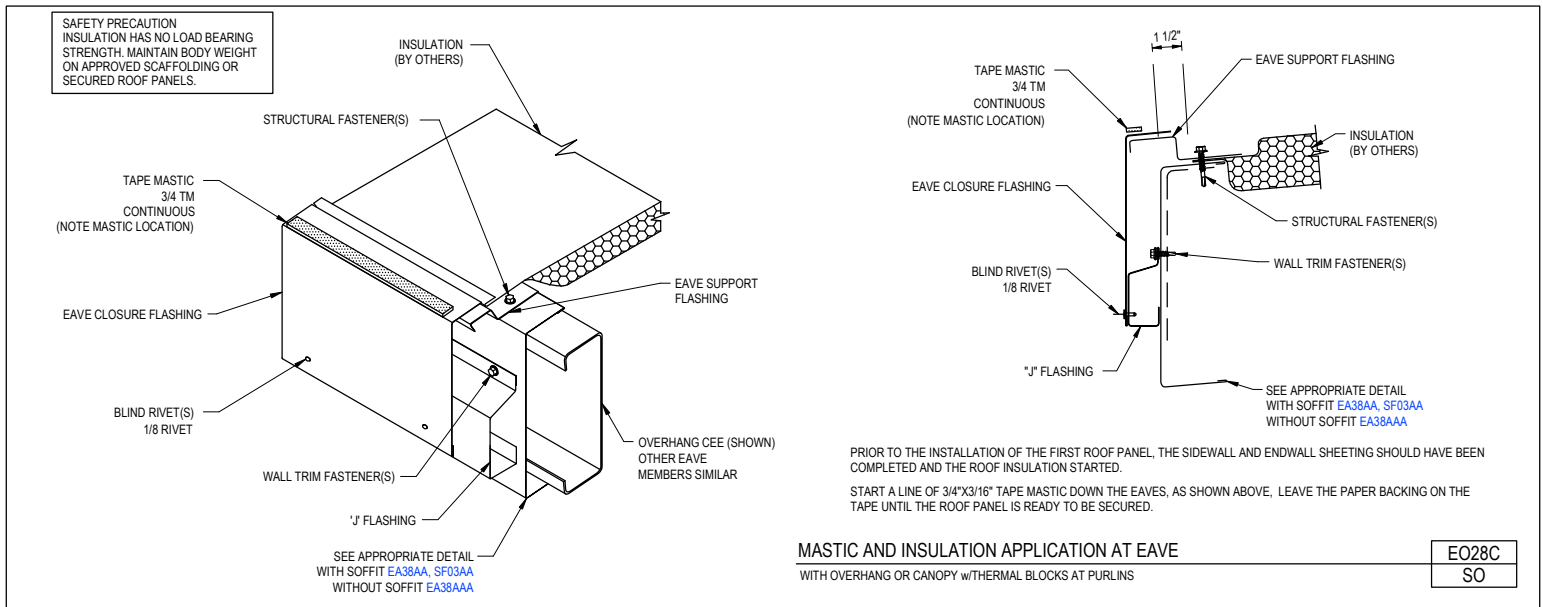
**OVERHANG CEE STRUT**

EAVE MEMBER TYPES AT HIGH SIDE  
WITHOUT SOFFIT

EA38BA  
AA

[Download the DWG file by clicking here.](#)

Mastic and Insulation Application at Eave  
With Overhang w/ Thermal Blocks at Purlins  
EO28C/SO

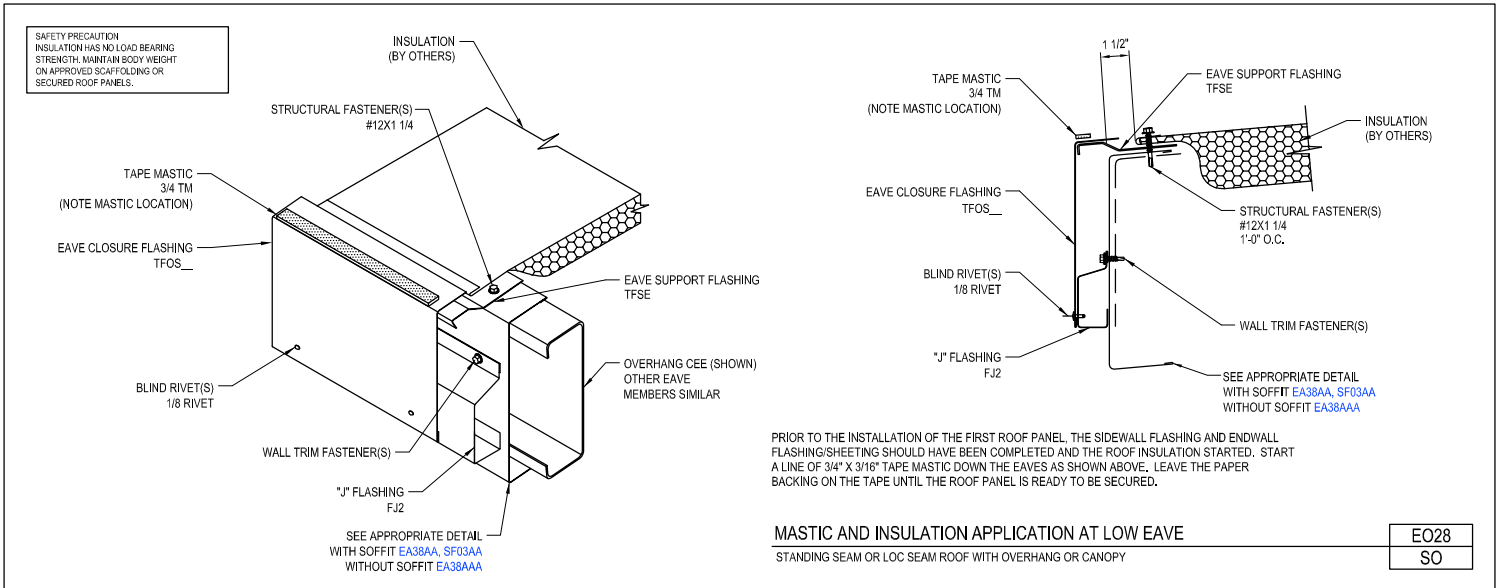


PRIOR TO THE INSTALLATION OF THE FIRST ROOF PANEL, THE SIDEWALL AND ENDWALL SHEETING SHOULD HAVE BEEN COMPLETED AND THE ROOF INSULATION STARTED.  
START A LINE OF 3/4"x3/16" TAPE MASTIC DOWN THE EAVES, AS SHOWN ABOVE, LEAVE THE PAPER BACKING ON THE TAPE UNTIL THE ROOF PANEL IS READY TO BE SECURED.

[Download the DWG file by clicking here.](#)

[To Section Index](#)

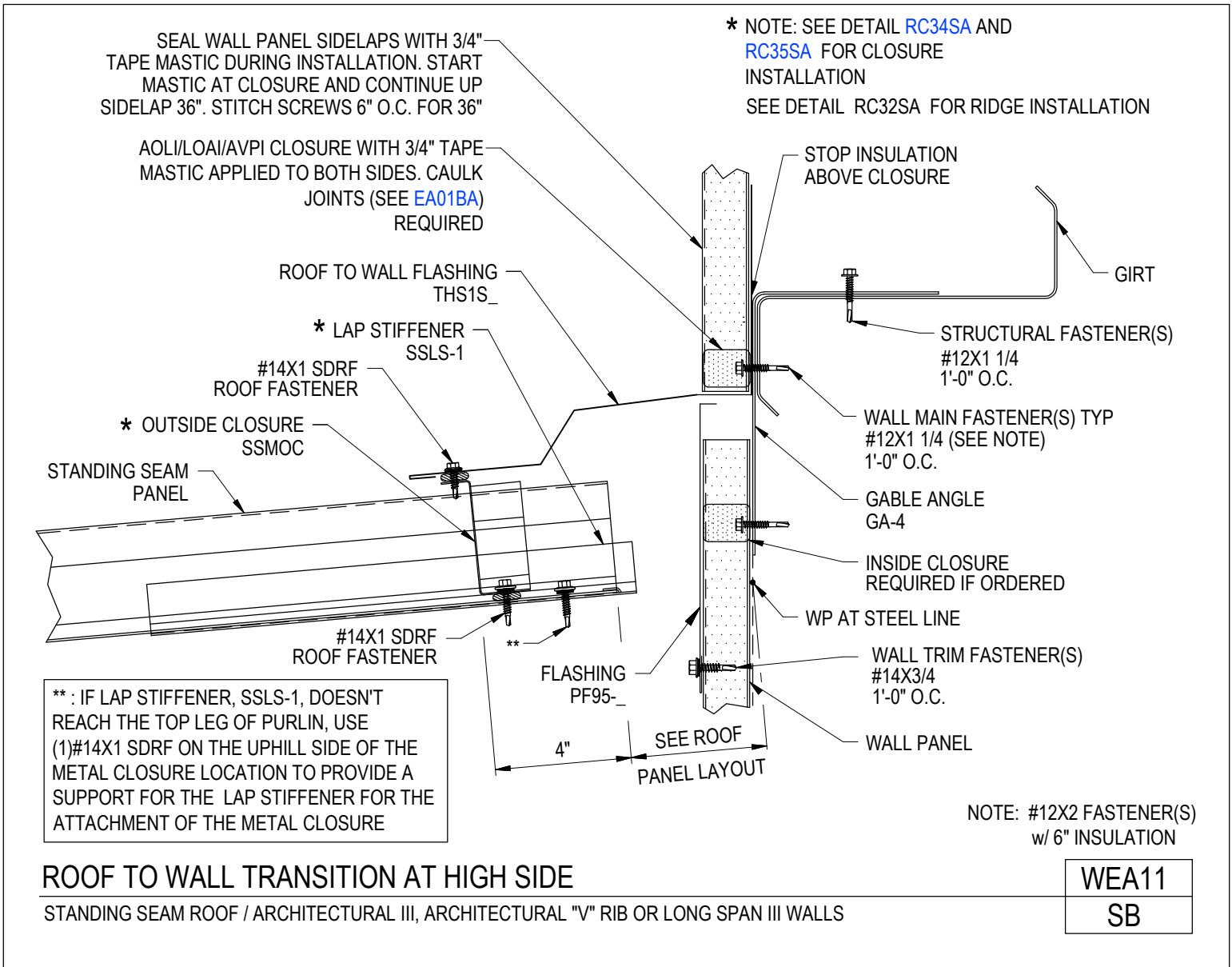
Mastic and Insulation Application at Eave  
With Overhang without Thermal Blocks at Purlins  
EO28/SO



[Download the DWG file by clicking here.](#)

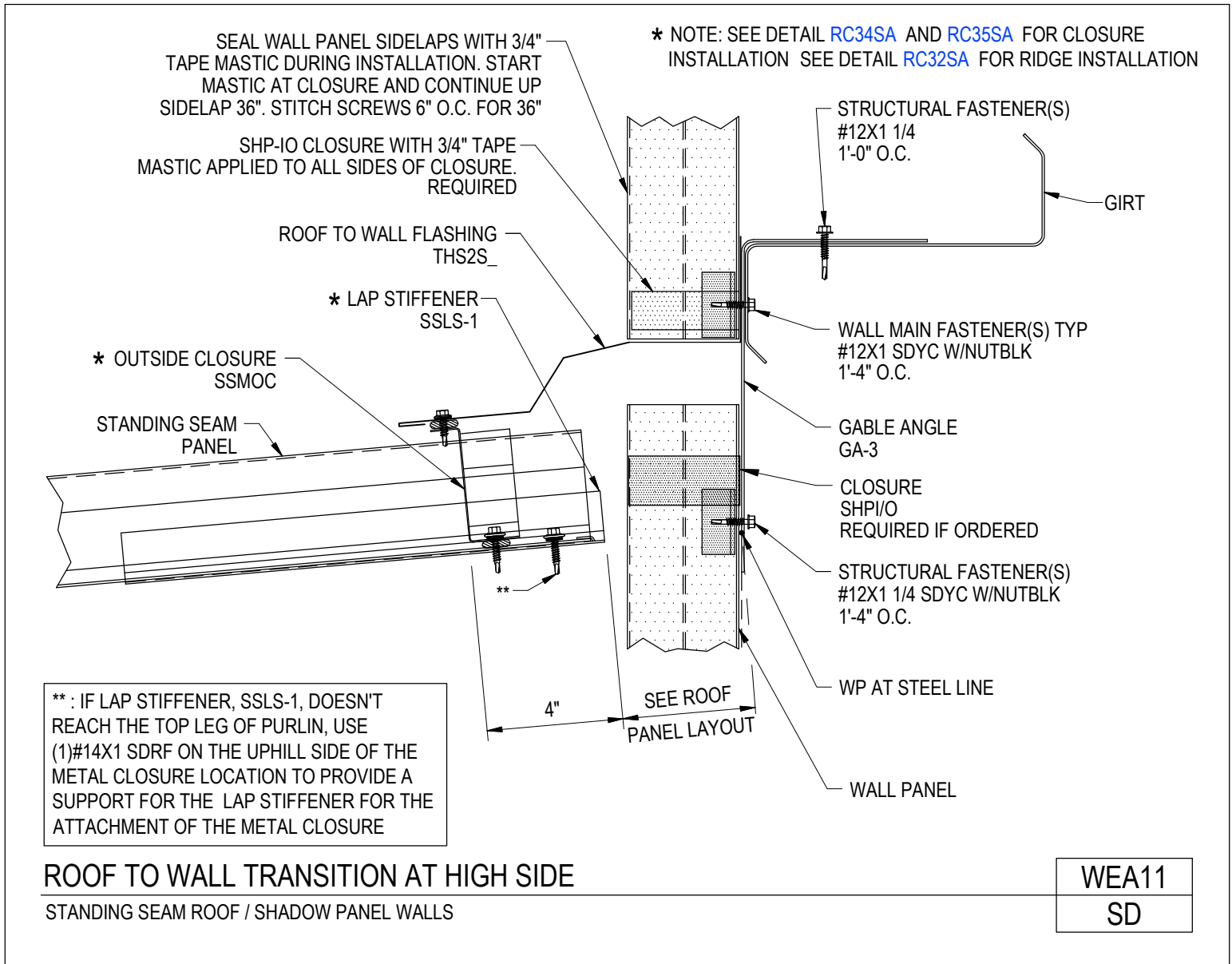
[To Section Index](#)

Roof to Wall Transition at Highside  
Standing Seam Roof / Architectural III, Architectural "V" Rib or Long Span III Walls  
WEA11/SB



[Download the DWG file by clicking here.](#)

Roof to Wall Transition at Highside  
Standing Seam Roof / Shadow Panel Walls  
WEA11/SD



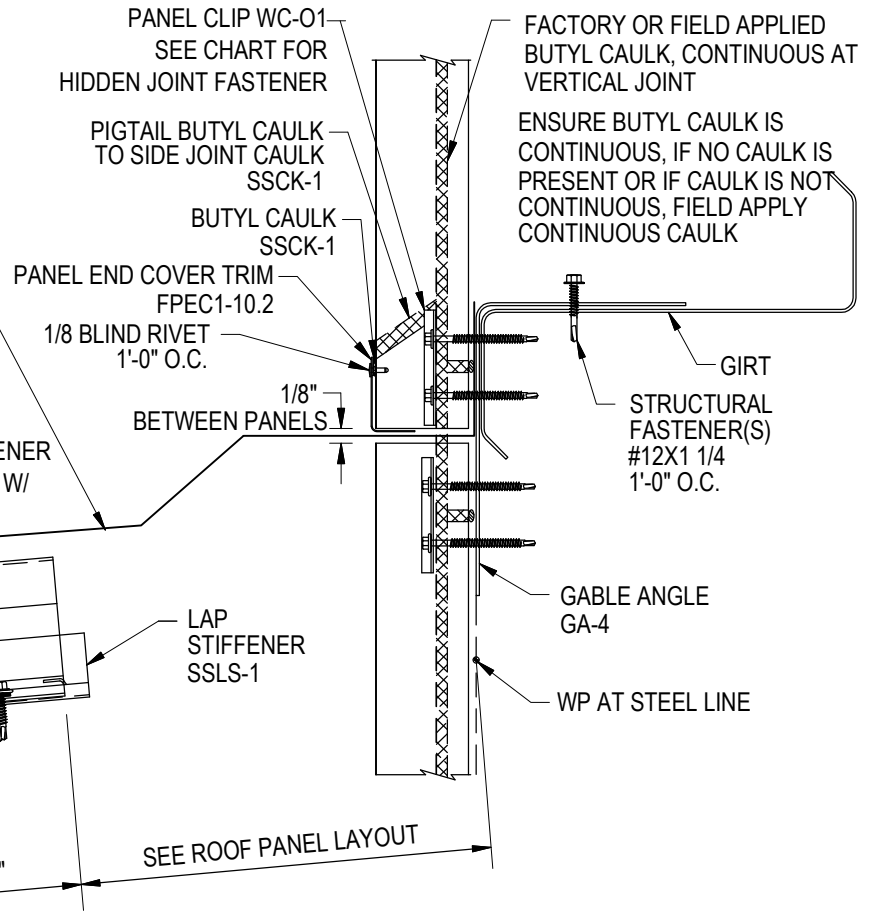
[Download the DWG file by clicking here.](#)

[To Section Index](#)



Roof to Wall Transitions at Highside  
Standing Seam Roof / Insulated Wall Panels  
WEA11/SW

PANEL THICKNESS	HIDDEN JOINT FASTENER	FASTENER QTY. PER WC-01 CLIP
2"	#1/4-14X2 SDHH	(2)
2 1/2"	#1/4-14X3 SDHH	(2)
3"	#1/4-14X3 SDHH	(2)
4"	#1/4-14X4 SDHH	(2)



\* ROOF TO WALL FLASHING THS2S\_

INSTALL THS2S\_ FLASHING BEFORE UPPER PANEL

\* OUTSIDE CLOSURE SSMOC

\*\* : IF LAP STIFFENER, SSLS-1, DOESN'T REACH THE TOP LEG OF PURLIN, USE (1)#14X1 SDRF ON THE UPHILL SIDE OF THE METAL CLOSURE LOCATION TO PROVIDE A SUPPORT FOR THE LAP STIFFENER FOR THE ATTACHMENT OF THE METAL CLOSURE

**ROOF TO WALL TRANSITION AT HIGH SIDE**  
STANDING SEAM ROOF / INSULATED WALL PANELS

WEA11  
SW

[Download the DWG file by clicking here.](#)