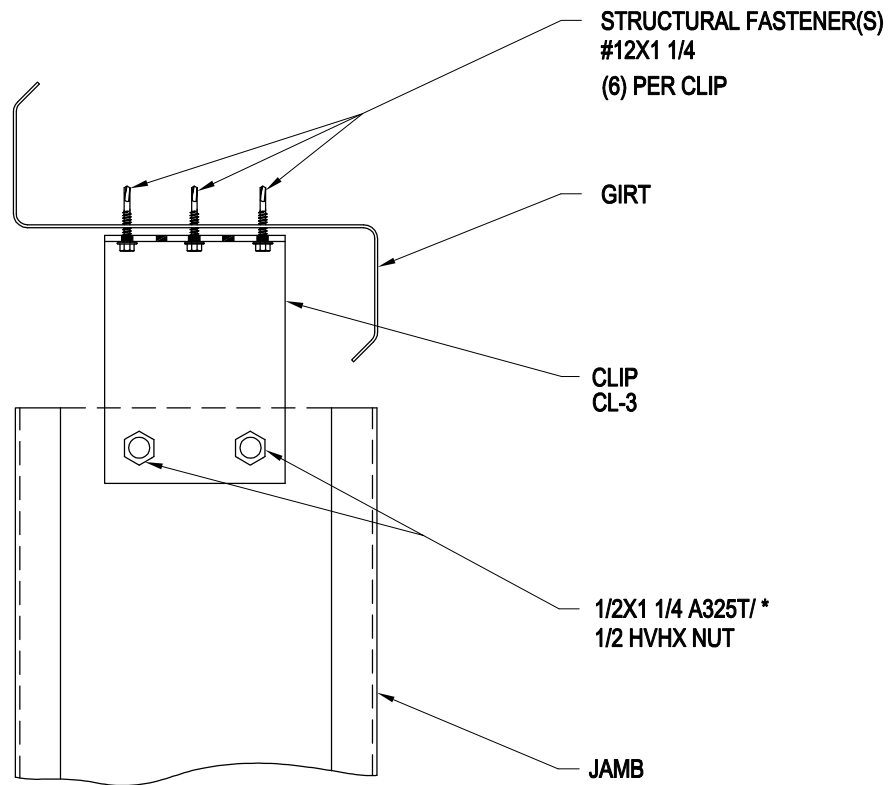


Product Manual - Windows

OF01/AA, Jamb to Girt Connection
OF12/AA, Jamb Base Detail
OF26/AA, Sill to Jamb Connection
OFOE/AA, Window Sub-Framing Key
WN01/AB, 3' x 3', 4' x 3', 4' x 4', and 6' x 4' Window Sections
WN01/AC, 3' x 3', 4' x 3', 4' x 4', and 6' x 4' Window Sections
WN01/AD, Typical Section Through Window Jambs (4' x 3' Window)
WN02/AA, Typical Section Through Window Head & Sill
WN02A/AD, Typical Section Through Window Head & Sill (4' x 3' Window)
WN02/AD, Typical Section Through Window Head & Sill (4' x 3' Window)
WN03/AA, Window Installation Procedures
WN03A/AA, Installation Instructions, Window Without Steel Subframes
WN03B/AA, Installation Instructions, Windows With Steel Subframes
WN04/AB, Window Installation Procedure (2' x 7' Window)
WN04/AD, Window Installation Procedure (4' x 3' Window)
WN07/AB, Panel Opening Detail (2' x 7' Window)
WN07/AD, Panel Opening Detail (4' x 3' Window)
WN09A/AD, Panel Cut Detail (4' x 3' Window)
WN10A/AD, Panel Stiffener Installation (4' x 3' Window)
WN11A/AD, Window Sill Flashing Installation (4' x 3' Window)
WN11B/AD, Window Installation Detail (4' x 3' Window)
WN12/AA, 2' x 6', 3' x 3', 4' x 3', 4' x 4' and 6' x 3' Window Dimensions
WN13A/AA, Window Installation with Steel Subframes
WN13/AB, Window Installation Without Steel Subframes
WN13/AC, Window Installation Without Steel Subframes
WN14/AA, 3' x 3', 4' x 3', 4' x 4', and 6' x 3' Window Mullion
WN15/AA, Typical Section Through Thermal Break Window
WN16/AD, Finished Window Elevation (4' x 3' Window)
WN17/AB, Finished Window Elevation (2' x 7' Window)
WN22/AB, Typical Section Through Window Head & Sill (2' x 7' Window)
WN27/AB, Typical Section Through Window Jambs (2' x 7' Window)
WN27/AC, Typical Section Through Window Jambs (2' x 7' Window)
WN27/AV, Typical Section Through Window Jambs (2' x 7' Window)
WN33A/AD, Caulking Detail (4' x 3' Window)

Jamb to Girt Connection

OF01/AA



* BUTTON HEAD BOLTS REQUIRED
AT STRIP WINDOW

JAMB TO GIRT CONNECTION

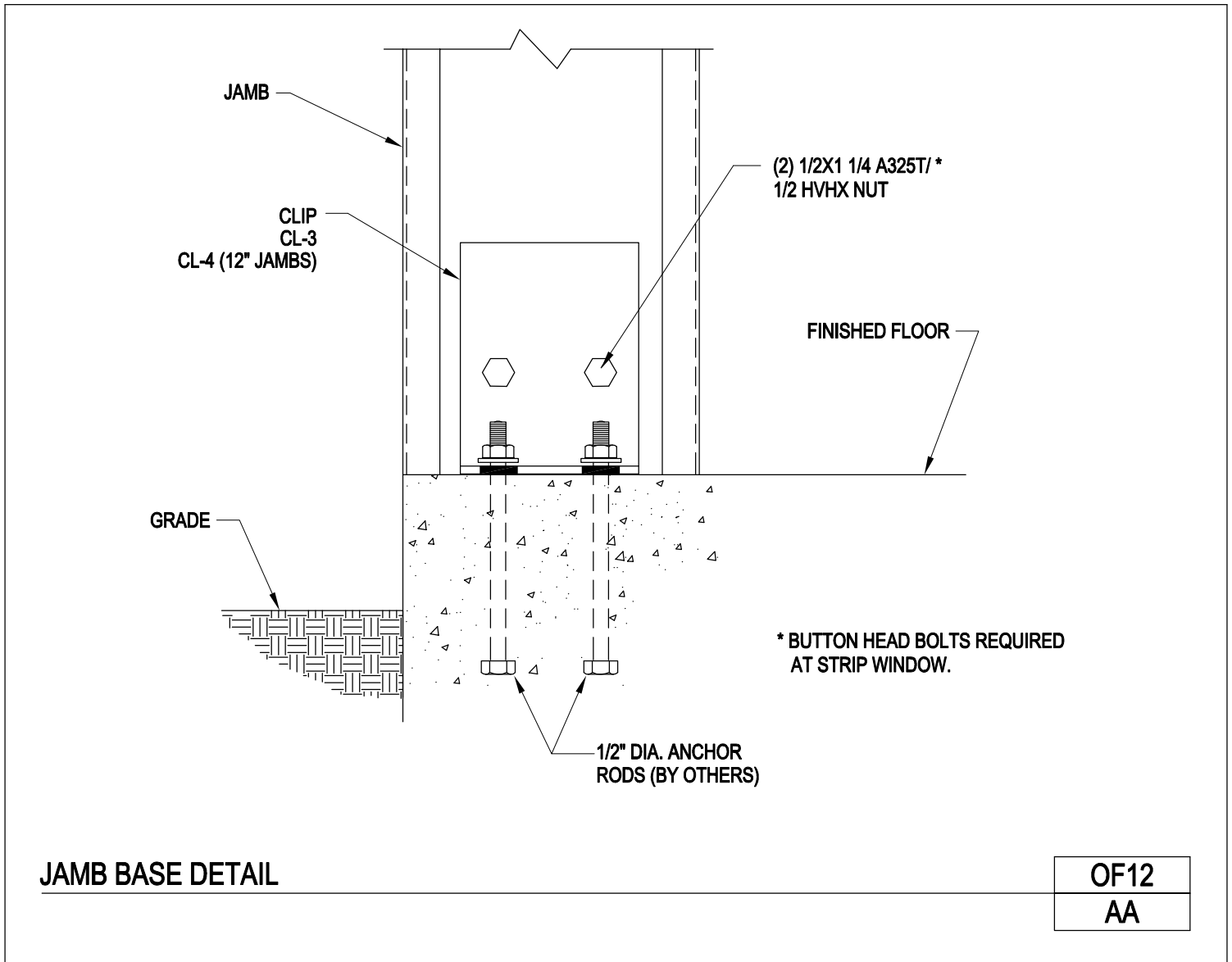
OF01
AA

[Download the DWG file by clicking here.](#)

[To Section Index](#)

Jamb Base Detail

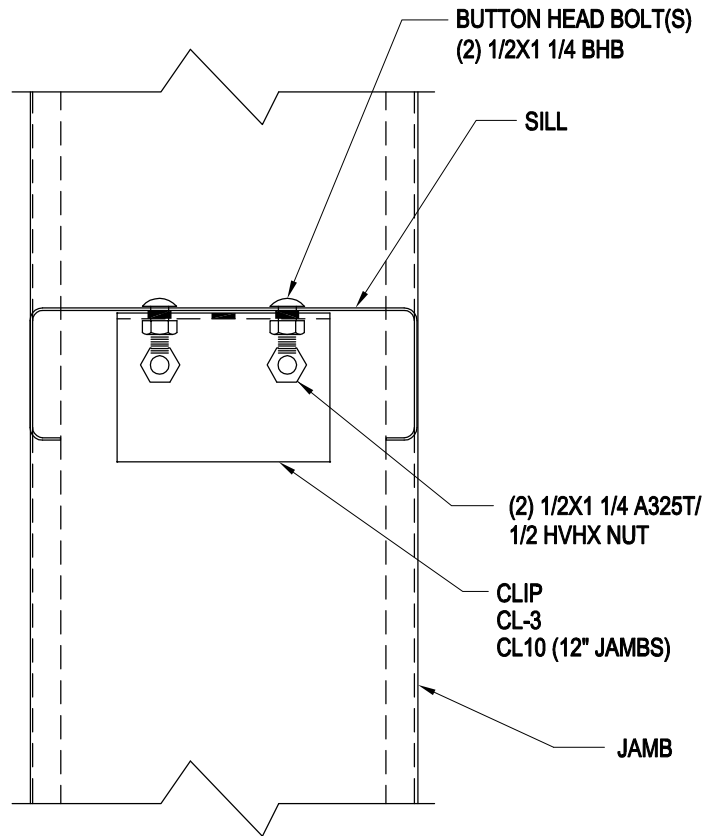
OF12/AA



[Download the DWG file by clicking here.](#)

[To Section Index](#)

Sill to Jamb Connection
8", 9 1/2", and 12" Sills
OF26/AA



SILL TO JAMB CONNECTION

8", 9 1/2" AND 12" SILLS

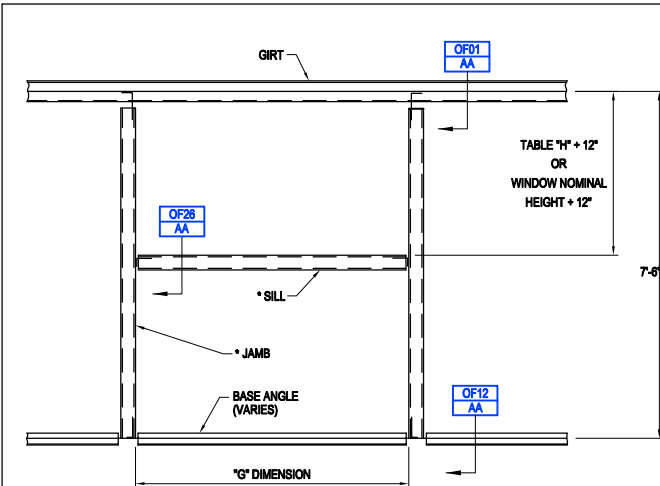
OF26

AA

[Download the DWG file by clicking here.](#)

[To Section Index](#)

Window Sub-Framing Key
 3030, 4030, 4040, 6030, 6040 Windows
 OFOE/AA



* NOTE : SEE WINDOW FRAMING SCHEDULE FOR APPROPRIATE MARK NUMBERS.

EXAMPLE WINDOW FRAMING SCHEDULE									
WINDOW SIZE	GIRT DEPTH	JAMB	LENGTH	1 WINDOW		2 WINDOWS		3 WINDOWS	
				SILL	LENGTH	SILL	LENGTH	SILL	LENGTH
3' X 3'	8"	80C16-	7'-1 1/2"	80C16-	2'-10 1/2"	80C16-	5'-10 1/2"	80C16-	8'-10 1/2"
3' X 3'	9 1/2"	95C15-	7'-1 1/2"	95C15-	2'-10 1/2"	95C15-	5'-10 1/2"	95C15-	8'-10 1/2"
3' X 3'	12"	12C13-	7'-1 1/2"	12C13-	2'-10 1/2"	12C13-	5'-10 1/2"	12C13-	8'-10 1/2"
4' X 3'	8"	80C16-	7'-1 1/2"	80C16-	3'-10 1/2"	80C16-	7'-10 1/2"	80C16-	11'-10 1/2"
4' X 3'	9 1/2"	95C15-	7'-1 1/2"	95C15-	3'-10 1/2"	95C15-	7'-10 1/2"	95C15-	11'-10 1/2"
4' X 3'	12"	12C13-	7'-1 1/2"	12C13-	3'-10 1/2"	12C13-	7'-10 1/2"	12C13-	11'-10 1/2"
4' X 4'	8"	80C16-	7'-1 1/2"	80C16-	3'-10 1/2"	80C16-	7'-10 1/2"	80C16-	11'-10 1/2"
4' X 4'	9 1/2"	95C15-	7'-1 1/2"	95C15-	3'-10 1/2"	95C15-	7'-10 1/2"	95C15-	11'-10 1/2"
4' X 4'	12"	12C13-	7'-1 1/2"	12C13-	3'-10 1/2"	12C13-	7'-10 1/2"	12C13-	11'-10 1/2"
6' X 4'	8"	80C16-	7'-1 1/2"	80C16-	5'-10 1/2"	80C16-	11'-10 1/2"		
6' X 4'	9 1/2"	95C15-	7'-1 1/2"	95C15-	5'-10 1/2"	95C15-	11'-10 1/2"		
6' X 4'	12"	12C13-	7'-1 1/2"	12C13-	5'-10 1/2"	12C13-	11'-10 1/2"		

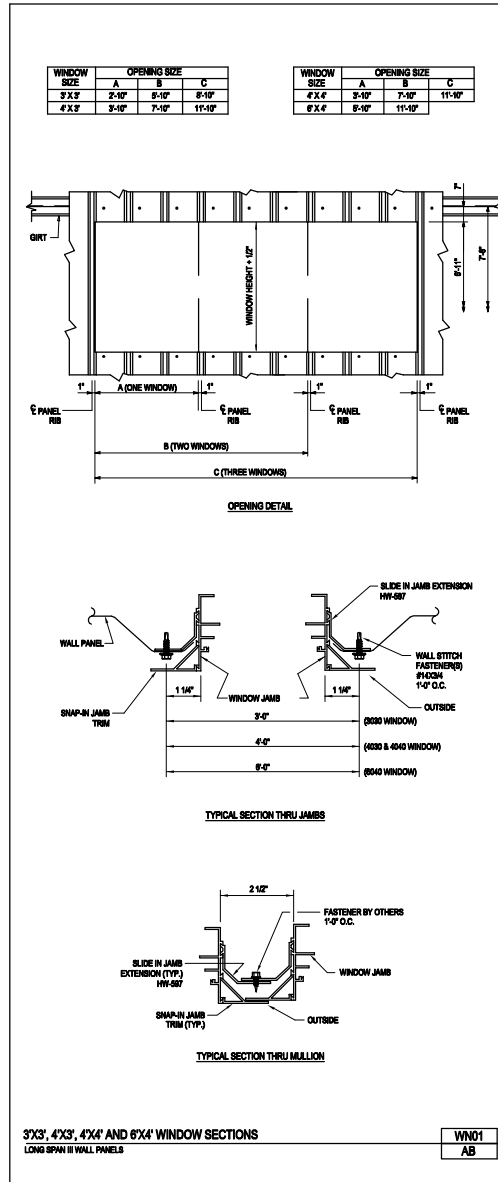
WINDOW SIZE	*G* DIMENSION		
	1 WINDOW	2 WINDOWS	3 WINDOWS
3' X 3'	2'-10 1/2"	5'-10 1/2"	8'-10 1/2"
4' X 3'	3'-10 1/2"	7'-10 1/2"	11'-10 1/2"
4' X 4'	3'-10 1/2"	7'-10 1/2"	11'-10 1/2"
6' X 4'	5'-10 1/2"	11'-10 1/2"	

WINDOW SUB-FRAMING KEY
 3030, 4030, 4040, 6030, 6040 WINDOWS

OFOE
AA

[Download the DWG file by clicking here.](#)

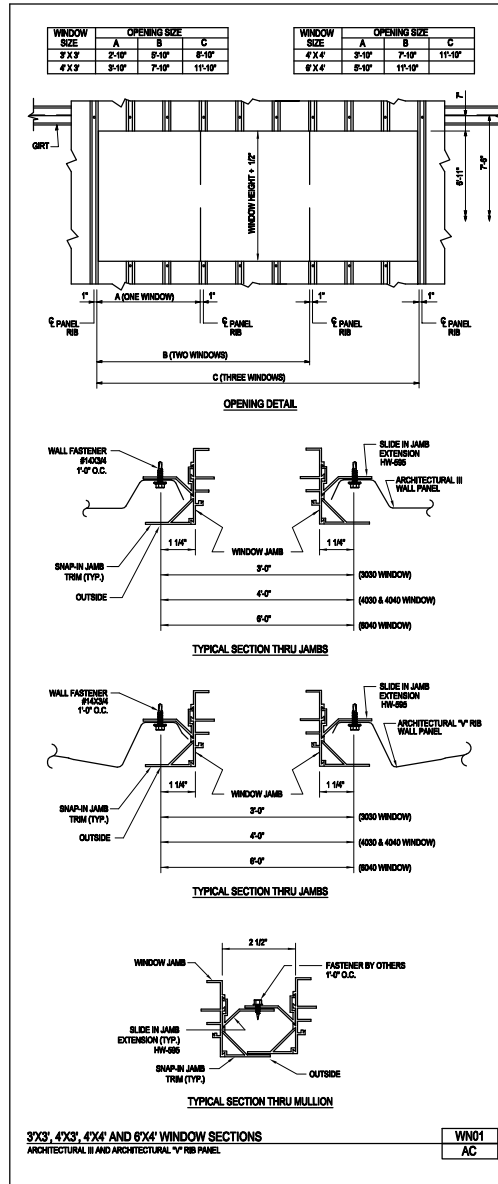
3' x 3', 4' x 3', 4' x 4', and 6' x 4' Window Sections
 Long Span III Wall Panels
 WN01/AB



[Download the DWG file by clicking here.](#)

[To Section Index](#)

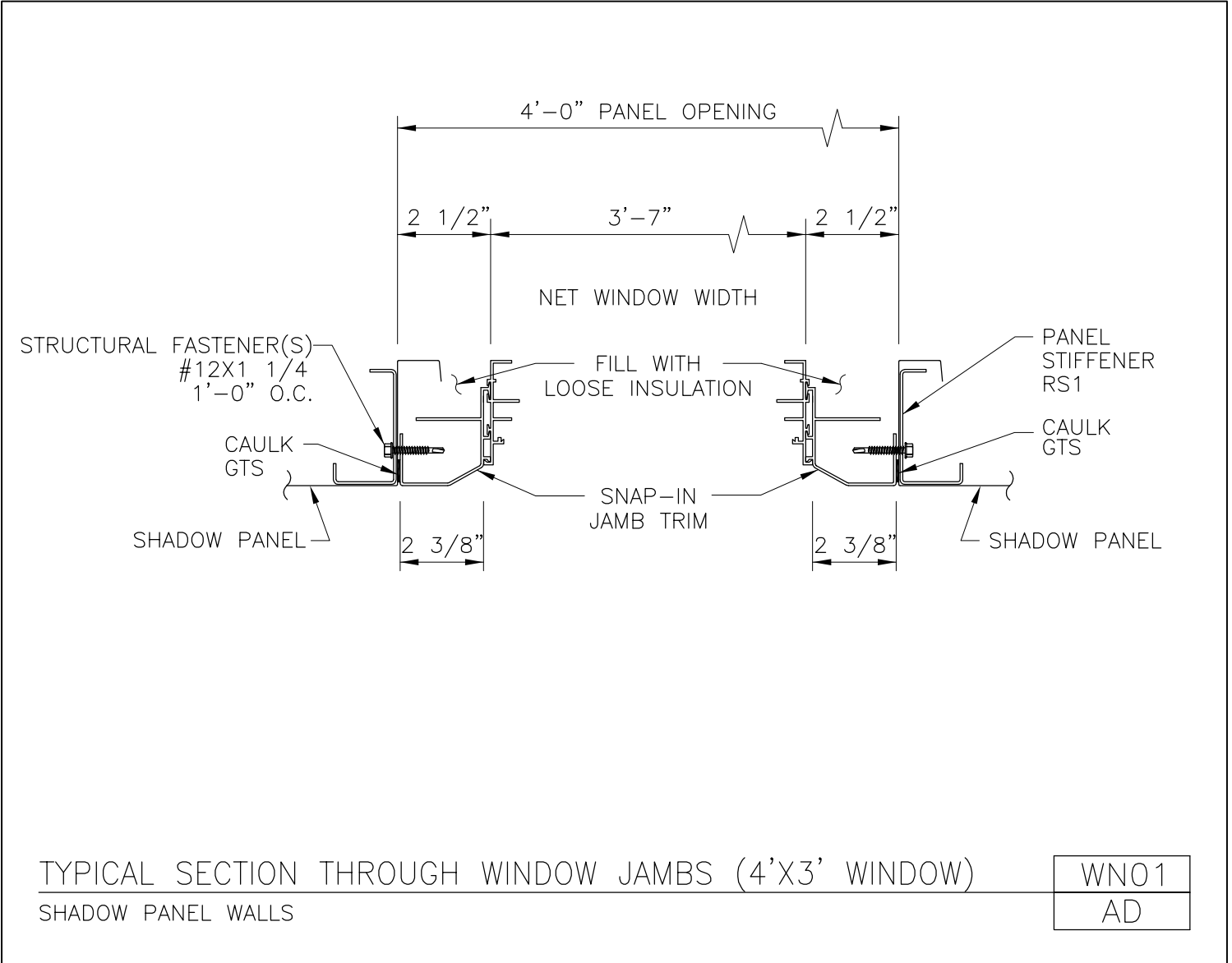
3' x 3', 4' x 3', 4' x 4', and 6' x 4' Window Sections
 Architectural III and Architectural "V" Rib Wall Panels
 WN01/AC



[Download the DWG file by clicking here.](#)

[To Section Index](#)

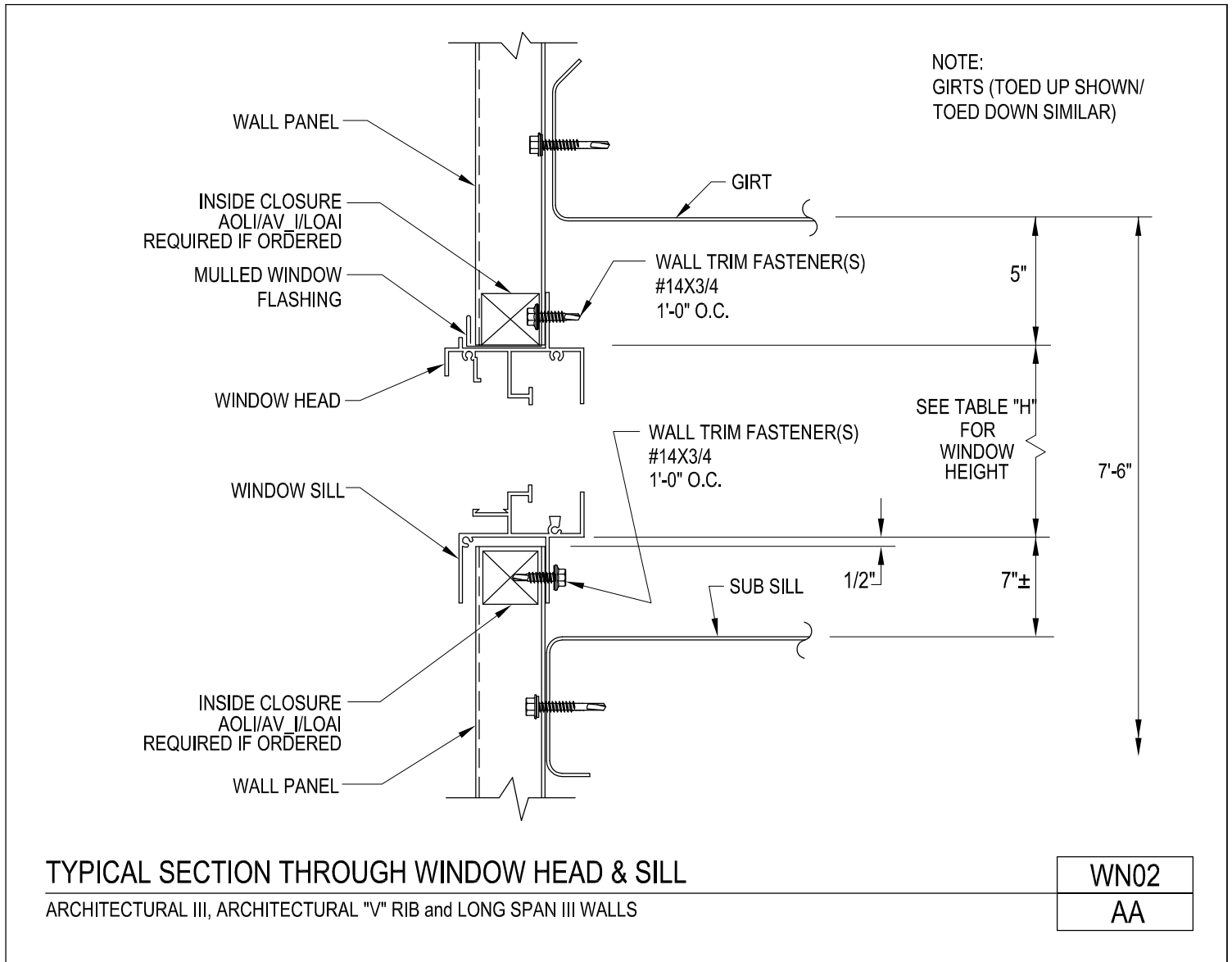
Typical Section Through Window Jambs (4' x 3' Window)
Shadow Panel Walls
WN01/AD



[Download the DWG file by clicking here.](#)

[To Section Index](#)

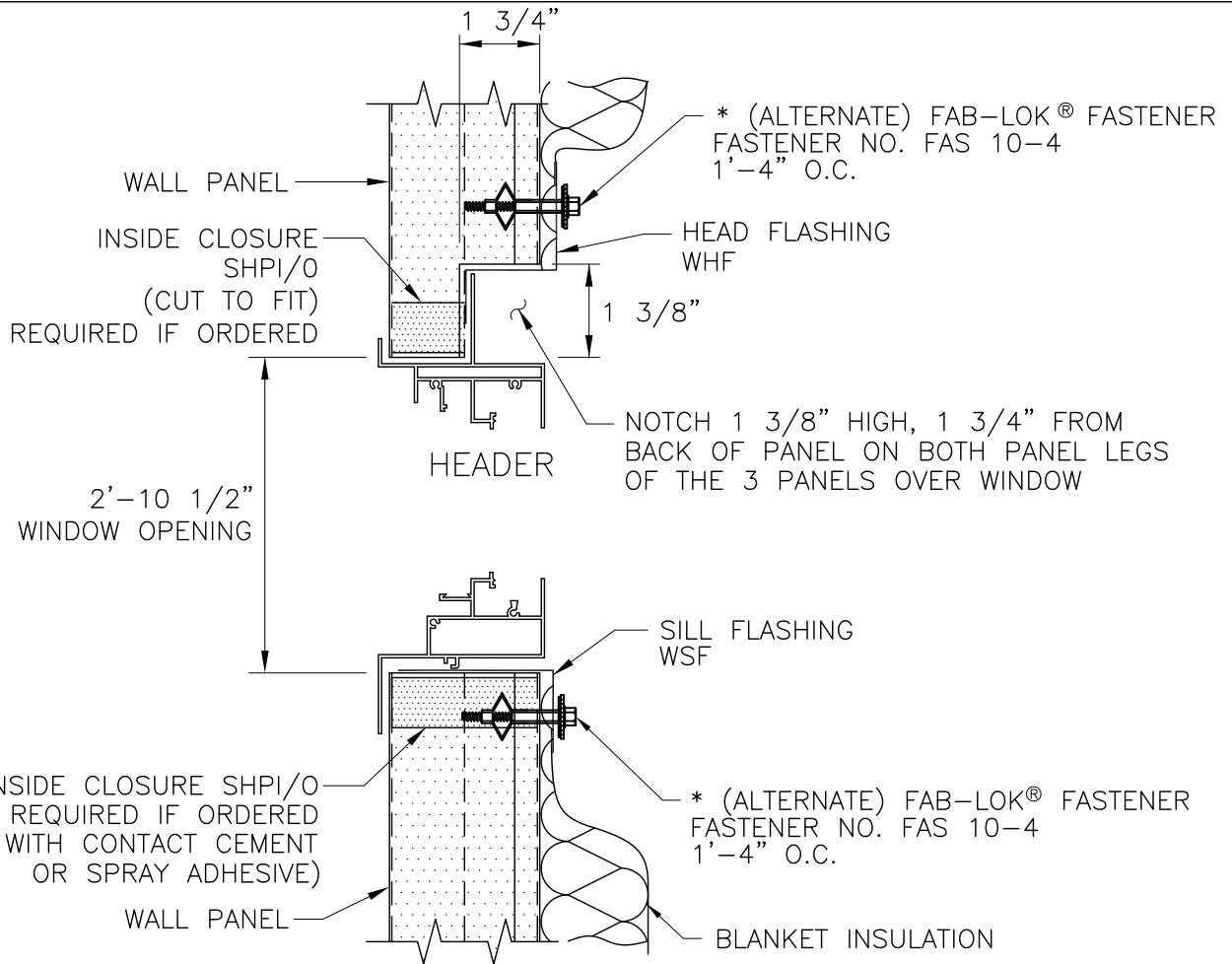
Typical Section Through Window Head & Sill
 Architectural III, Architectural "V" Rib and Long Span III Walls
 WN02/AA



[Download the DWG file by clicking here.](#)

[To Section Index](#)

Typical Section Through Window Head & Sill (4' x 3' Window)
Shadow Panel Walls with Alternate Fab-Lok® Fastener
WN02A/AD



* REQUIRES FIELD DRILLED 5/16"Ø HOLE SILL

TYPICAL SECTION THROUGH WINDOW HEAD & SILL (4'X3' WINDOW)

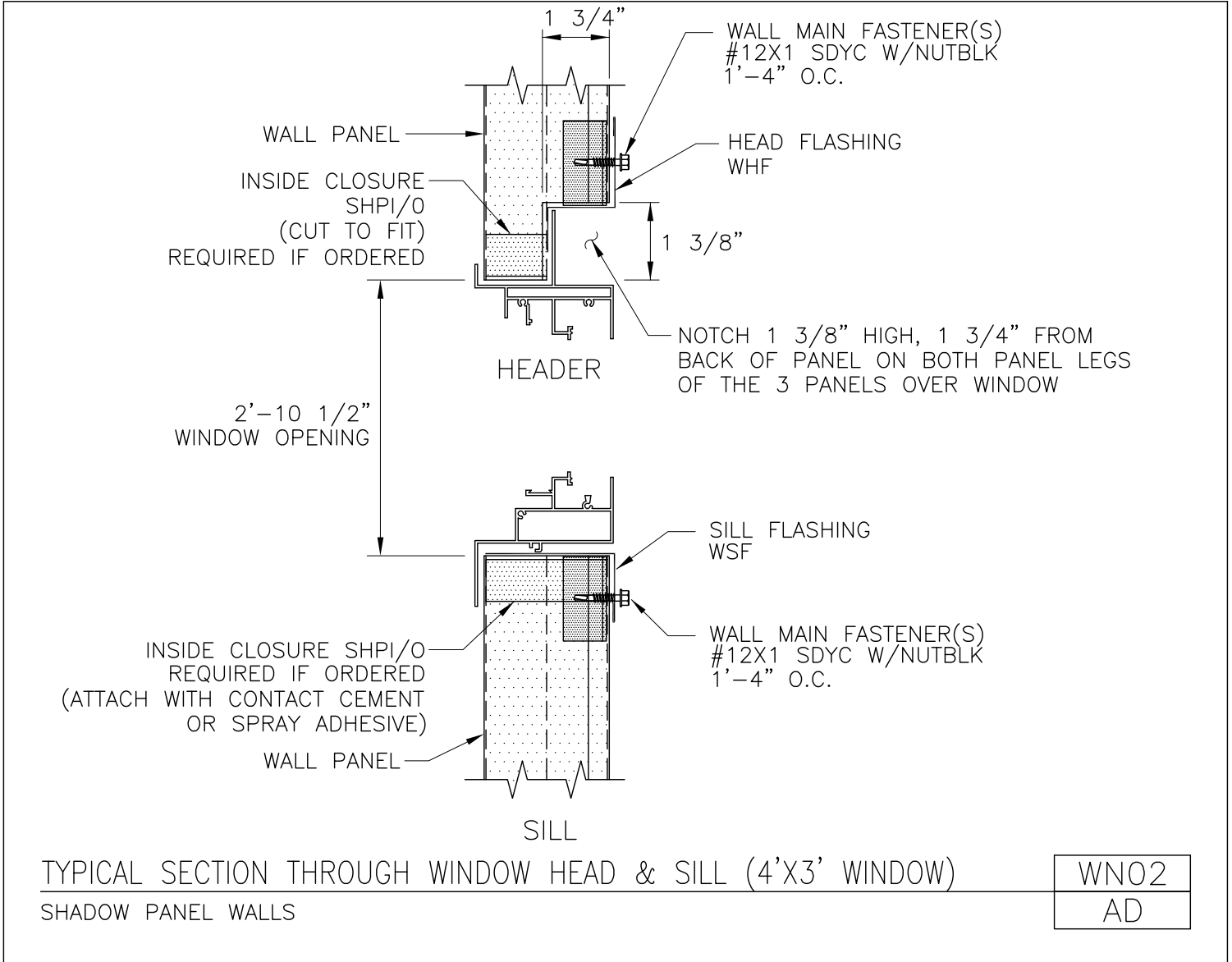
SHADOW PANEL WALLS WITH ALTERNATE FAB-LOK® FASTENER

WN02A
AD

[Download the DWG file by clicking here.](#)

[To Section Index](#)

Typical Section Through Window Head & Sill (4' x 3' Window)
Shadow Panel Walls
WNO2/AD



[Download the DWG file by clicking here.](#)

[To Section Index](#)



A **NUCOR** COMPANY

Window Installation Procedures
 Architectural III, Architectural "V" Rib and Long Span III Walls
 WN03/AA

Window Opening:

1. Sheet wall in normal manner. Cut window opening after wall panels are erected.
2. At desired window location, cut opening as shown below and on WN01.

Window Installation:

1. Slide the jamb extension into the correct grooves along the outside of the window jambs (HW-595 for Architectural III or Architectural "V" Rib and HW-597 for Long Span III), typical section through jambs.
2. Insert window into opening, bottom first, from inside of building.
3. Secure window in the opening with wall fasteners at 1'-0" on center along jambs as shown (typical section thru jambs). Secure window sill with wall fasteners at 1'-0" o.c. and window head with wall fasteners at 1'-0" o.c. as shown (typical section thru header and sill). At mulled jambs, stitch jamb extensions together as shown (typical section thru mullion).
4. Caulk window at header, sill, and jambs as required to weather proof.
5. Install snap-in jamb trim as shown after window installation is completed. Jamb trim at mulled windows must be installed before jamb extensions are fastened together.
6. If framing is required, install and secure window in wall as in steps 1 thru 5 above before installing framing. Support wall panels below window sill as required until framing installation is complete. Attach wall panels below window sill as shown in detail [WN02/AA](#).

General Notes:

1. Window is self framing when installed at panel location shown. Any other location will require field modifications as required with special flashing furnished by others.
2. Window frame is available in bronze only.
3. Window panels are insulated glass.
4. Window sizes:

WINDOW SIZE	TABLE "H"	
	WIDTH	HEIGHT
3' X 3'	33 1/2"	36"
4' X 3'	45 1/2"	36"
4' X 4'	45 1/2"	48"
6' X 4'	69 1/2"	48"

5. Mulled window flashing (MWF_) required only at mulled windows.

WINDOW SIZE	MULLED WINDOW FLASHING	
	2 WINDOWS	3 WINDOWS
3' X 3'	MWF1	MWF2
4' X 3'	MWF3	MWF4

WINDOW SIZE	MULLED WINDOW FLASHING	
	2 WINDOWS	3 WINDOWS
4' X 4'	MWF3	MWF4
6' X 4'	MWF4	

6. Sub framing is not required with 3'-6" (elevation) girt, unless liner panels are required.

WINDOW INSTALLATION PROCEDURES

ARCHITECTURAL III, ARCHITECTURAL "V" RIB and LONG SPAN III WALLS

WN03

AA

[Download the DWG file by clicking here.](#)

[To Section Index](#)

Installation Instructions, Window Without Steel Subframes
Thermal-Break Window
WN03A/AA

NOTE:

WINDOW WITHOUT A STEEL SUB FRAME SYSTEM HAVE JAMB FINES THAT ARE DESIGNED TO CORRESPOND WITH THE APPROPRIATE WALL PANEL.

- 1. SHEET WALL IN NORMAL MANNER.**
- 2. MEASURE AND CUT WINDOW OPENINGS TO THE APPROPRIATE SIZE (SEE DETAIL WN12AA).**
- 3. INSERT THE WINDOW UNIT INTO THE LOCATION AS CUT. IF THE OPENING IS SLIGHTLY LARGER THAN THE HEIGHT NEEDED, RAISE THE WINDOW WHEN FASTENING SO THE GAP IS LESSENERED AT THE HEAD. THE BOTTOM SILL HAS A HINGED PLATE THAT IS RAISED DURING THE MOUNTING STAGE. THIS ALLOWS FOR THE WINDOW OPENING TO BE CUT TO THE SMALLEST TOLERANCE POSSIBLE. PULL THE PLATE BACK DOWN WHEN IN PLACE.**
- 4. LEVEL THE WINDOW, USE THE PRE-DRILLED HOLE TO ATTACH THE WINDOW DIRECTLY TO THE WALL PANELS WITH #14 WALL STITCH FASTENERS.**
- 5. FASTEN THE BACK SILL PLATE TO THE WALL PANELS FROM THE INTERIOR.**
- 6. ONCE THE WINDOW IS SECURED, APPLY A CONTINUOUS BEAD OF CAULK THE ENTIRE LENGTH OF THE HEAD, THROUGH THE CORNERS TO FORM A WEATHERTIGHT SEAL.**

INSTALLATION INSTRUCTIONS, WINDOW WITHOUT STEEL SUBFRAMES

WN03A
AA

THERMAL-BREAK WINDOW

[Download the DWG file by clicking here.](#)

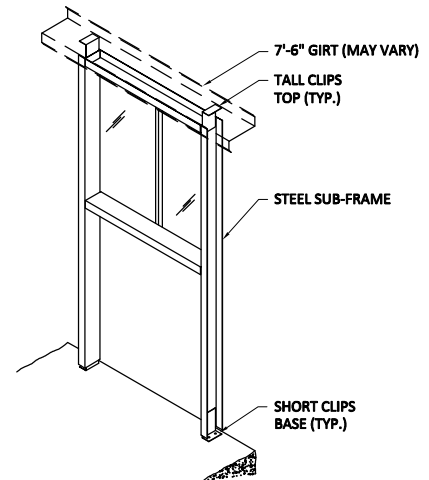
[To Section Index](#)

Installation Instructions, Windows With Steel Subframes
Thermal-Break Window
WN03B/AA

NOTE: WINDOWS WITH A STEEL SUB FRAME SYSTEM HAVE A UNIVERSAL JAMB TRIM THAT ALLOWS THE WINDOW TO FALL IN ANY LOCATION ON THE WALL PANEL.

1. INSTALL THE SUB FRAME PRIOR TO THE SHEETING THE WALL.
2. STAND THE SUB FRAME IN THE DESIRED LOCATION.
3. SECURE BOTH SIDES OF THE BASE THROUGH THE TWO HOLES ON THE BASE CLIPS WITH THE MASONRY ANCHORS PROVIDED.
4. RAISE THE ADJUSTABLE CLIP AT THE TOP OF BOTH SUB JAMBS TO THE BOTTOM OF THE GIRT. PLUMB THE SUB JAMBS AND ATTACH THESE CLIPS TO THE GIRTS AND SUB JAMBS.
5. WHEN SHEETING CUT THE PANELS AS NEEDED AROUND THE WINDOW. CUT THE PANELS AS CLOSE AS POSSIBLE TO THE WINDOW PERIMETER. THE ACTUAL WINDOW OPENING SIZE SHOULD BE $2 \frac{3}{4}$ " LESS THAN THE STATED WINDOW WIDTH AND $1 \frac{5}{8}$ " LESS THAN THE STATED WINDOW HEIGHT.
6. FIELD APPLY THE FINISHED SNAP-ON TRIM ON BOTH WINDOW JAMBS.
7. RUN A CONTINUOUS BEAD OF CAULK AT THE HEAD TO FORM A WEATHERTIGHT SEAL.

NOTE:
GIRTS (TOED UP SHOWN/
TOED DOWN SIMILAR)



INSTALLATION INSTRUCTIONS, WINDOWS WITH STEEL SUBFRAMES
THERMAL-BREAK WINDOW

WN03B
AA

[Download the DWG file by clicking here.](#)

[To Section Index](#)

Window Installation Procedure (2' x 7' Window)
Architectural III, Architectural "V" Rib and Long Span III Walls
WN04/AB

WINDOW OPENING:

1. SHEET WALL IN NORMAL MANNER. CUT WINDOW OPENING AFTER WALL PANELS ARE ERECTED.
2. AT DESIRED WINDOW LOCATION, CUT OPENING AS SHOWN IN DETAILS [WN07/AB](#) AND [WN22/AB](#). NOTCH OR COPE BASE ANGLE AS SHOWN IN THE DETAILS INDICATED ABOVE.

WINDOW INSTALLATION:

1. SLIDE THE JAMB EXTENSION INTO THE CORRECT GROOVES ALONG THE OUTSIDE OF THE WINDOW JAMBS (TYPICAL SECTION THRU JAMBS).
2. INSERT WINDOW INTO OPENING, BOTTOM FIRST, FROM INSIDE OF BUILDING. REST SILL ON FINISHED FLOOR FOR PROPER INSTALLATION AS SHOWN IN DETAIL [WN22/AB](#).
3. SECURE WINDOW IN THE OPENING WITH WALL FASTENERS AT 1'-0" ON CENTER ALONG JAMBS AS SHOWN (TYPICAL SECTION THRU JAMBS). SECURE WINDOW HEAD WITH WALL FASTENERS AT 1'-0" O.C. AS SHOWN (TYPICAL SECTION THRU HEAD AND SILL).
4. CAULK WINDOW AT HEADER, SILL, JAMBS AND BASE ANGLE AS REQUIRED TO WEATHER PROOF.
5. INSTALL SNAP-IN JAMB TRIM AS SHOWN AFTER WINDOW INSTALLATION IS COMPLETED.

GENERAL NOTES:

1. WINDOW IS SELF FRAMING WHEN INSTALLED AT PANEL LOCATION SHOWN. ANY OTHER LOCATION WILL REQUIRE FIELD MODIFICATIONS AS REQUIRED WITH SPECIAL FLASHING FURNISHED BY OTHERS.
2. WINDOW FRAME AVAILABLE IN BRONZE ONLY.
3. WINDOW PANELS ARE INSULATED GLASS.
4. WINDOW SIZE:

WINDOW SIZE	TABLE "H"	
	WIDTH	HEIGHT
2' X 7'	21 1/2"	83 1/2"

WINDOW SIZE	TABLE "H"	
	WIDTH	HEIGHT
2' X 7'	546mm	2121mm

SAFETY PRECAUTION:
EACH WORKER SHOULD BE TRAINED
TO USE THE SAFEST AND MOST
PRODUCTIVE ERECTION TECHNIQUES.

SAFETY PRECAUTION:
PUT WORKER SAFETY FIRST.

WINDOW INSTALLATION PROCEDURE (2'X7' WINDOW)
ARCHITECTURAL III, ARCHITECTURAL "V" RIB AND LONG SPAN III WALLS

WN04
AB

[Download the DWG file by clicking here.](#)



A **NUCOR** COMPANY

Window Installation Procedure (4' x 3' Window)

Shadow Panel Walls

WN04/AD

WINDOW OPENING:

1. INSTALL WALL PANELS IN NORMAL MANNER UP TO DESIRED LOCATION OF WINDOW. AT WINDOW LOCATION, OMIT THREE PANELS AND CONTINUE PANEL INSTALLATION (DETAIL [WN07/AD](#)).
2. FIELD CUT PANELS FOR INSTALLATION ABOVE AND BELOW WINDOW (DETAIL [WN09A/AD](#)).
3. INSTALL PANELS BELOW WINDOW AND PANEL STIFFENERS (DETAIL [WN10A/AD](#)). ATTACH STIFFENERS WITH #12X1 SDYC FASTENERS AND NUT BLANKS AT GIRT OR STRUT LOCATIONS AND BASE ANGLE. ATTACH PANELS BELOW WINDOW AS INDICATED AND NOTCH PANEL LEG TO RECEIVE SILL FLASHING.
4. INSTALL SILL FLASHING AND SECURE TO BOTTOM PANELS WITH #12X1 SDYC FASTENERS AND NUT BLANKS AT 1'-4" ON CENTER (DETAILS [WN11A/AD](#) AND [WN02AD](#)). CAULK PANELS AT WINDOW LOCATION (DETAILS [WN11A/AD](#) AND [WN33A/AD](#)).

WINDOW INSTALLATION:

1. PRESS THE SNAP-IN JAMB TRIM INTO THE CORRECT GROOVES ALONG THE OUTSIDE OF THE WINDOW JAMBS (SEE TYPICAL SECTION THRU JAMBS, DETAIL [WN01/AD](#)).
2. INSTALL WINDOW IN OPENING AND REST WINDOW SILL ON SILL FLASHING FOR PROPER INSTALLATION. (DETAILS [WN11B/AD](#) AND [WN02/AD](#)). SECURE WINDOW IN OPENING WITH FASTENERS AT 1'-0" ON CENTER ALONG JAMBS (DETAIL [WN01/AD](#)).
3. NOTCH OUT BACK OF UPPER PANELS 1 3/8" HIGH, 1 3/4" FROM BACK OF PANEL ON BOTH PANEL LEGS OF THE 3 PANELS OVER WINDOW TO RECEIVE WINDOW HEAD FLASHING (SEE DETAIL [WN02/AD](#)).
4. NOTCH PANEL LEG TO RECEIVE HEAD FLASHING AND CAULK (DETAILS [WN11B/AD](#) AND [WN33A/AD](#)).
5. INSTALL PANELS ABOVE WINDOW AND ATTACH TO HEAD FLASHING, ALSO ADJACENT PANELS AND PANEL STIFFENERS (DETAILS [WN16/AD](#) AND [WN02/AD](#)).
6. CAULK WINDOW AT HEADER, SILL, AND JAMBS AS REQUIRED TO WEATHER PROOF.

GENERAL NOTES:

1. WINDOW IS SELF FRAMING WHEN INSTALLED AT PANEL LOCATION SHOWN. ANY OTHER LOCATION WILL REQUIRE FIELD MODIFICATIONS AS REQUIRED WITH SPECIAL FLASHING FURNISHED BY OTHERS.
2. WINDOW FRAME AVAILABLE IN BRONZE/WHITE.
3. WINDOW PANELS ARE INSULATED GLASS.
4. WINDOW SIZES:

WINDOW SIZE	TABLE "H"	
	WIDTH	HEIGHT
4' X 3'	43.25"	33.813"
OPENING SIZE	48"	34.5"

SAFETY PRECAUTION:
EACH WORKER SHOULD BE TRAINED TO USE THE SAFEST AND MOST PRODUCTIVE ERECTION TECHNIQUES.

SAFETY PRECAUTION:
PUT WORKER SAFETY FIRST.

WINDOW INSTALLATION PROCEDURE (4'X3' WINDOW)

SHADOW PANEL WALLS

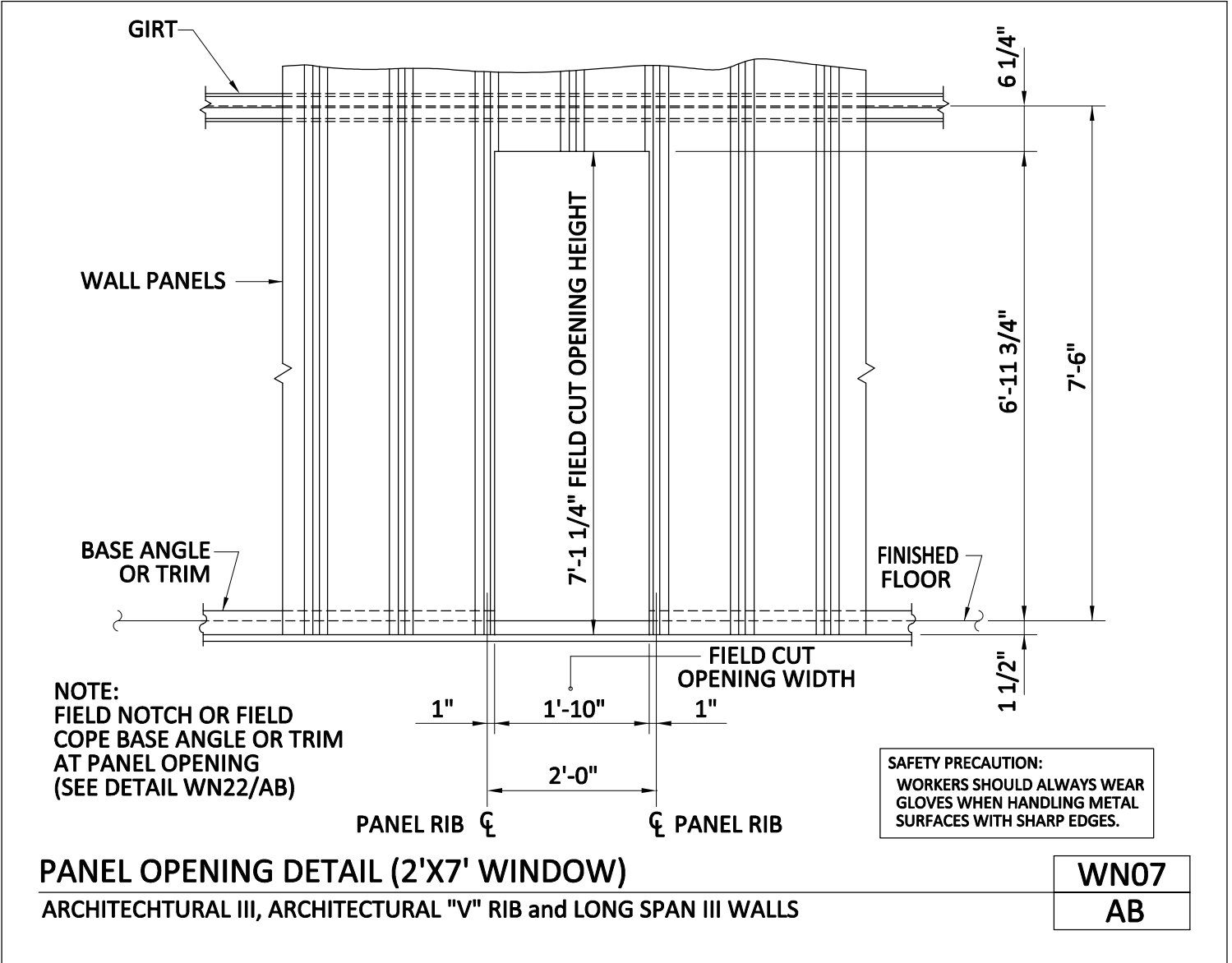
WN04

AD

[Download the DWG file by clicking here.](#)

[To Section Index](#)

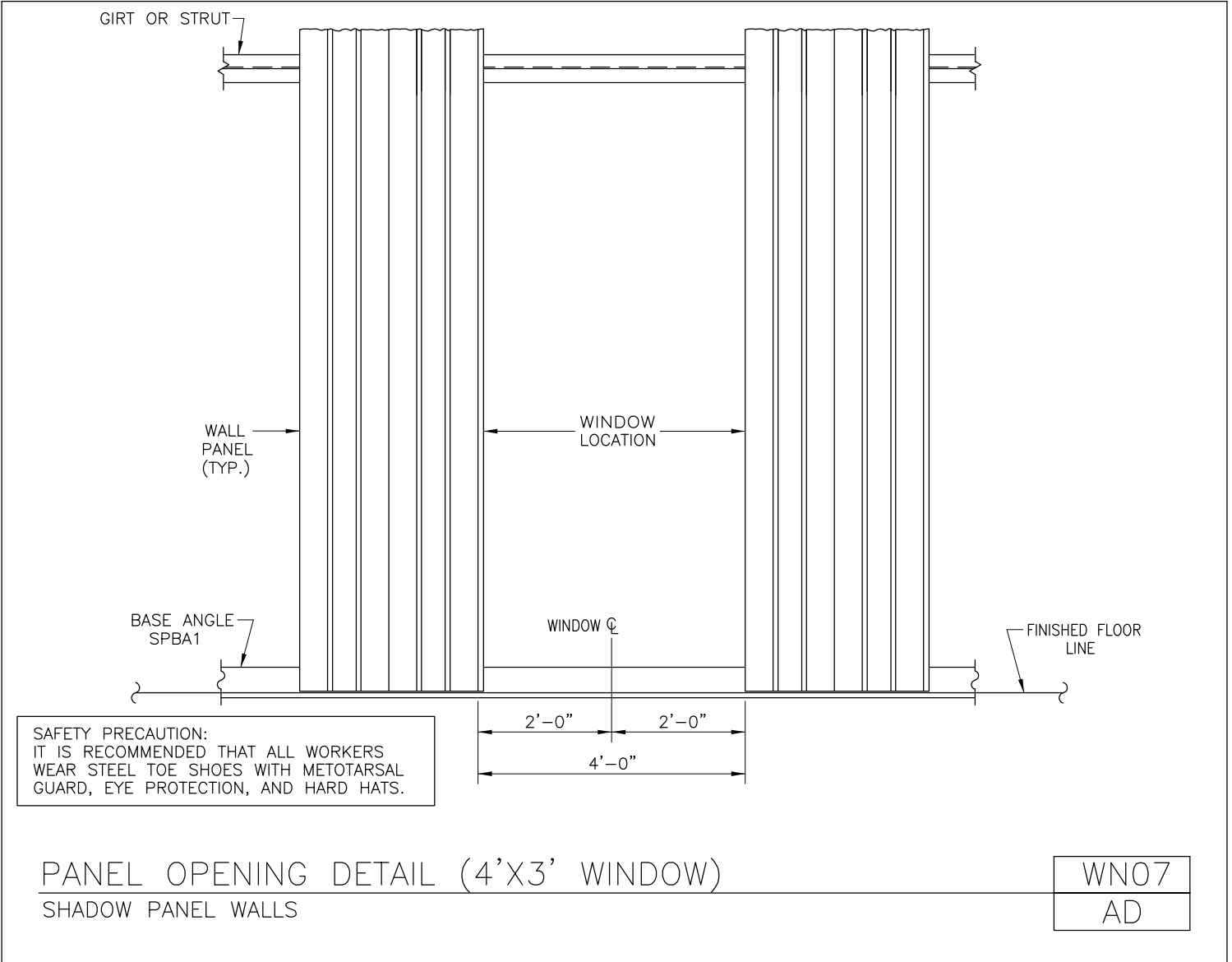
Panel Opening Detail (2' x 7' Window)
Architectural III, Architectural "V" Rib and Long Span III Walls
WN07/AB



[Download the DWG file by clicking here.](#)

[To Section Index](#)

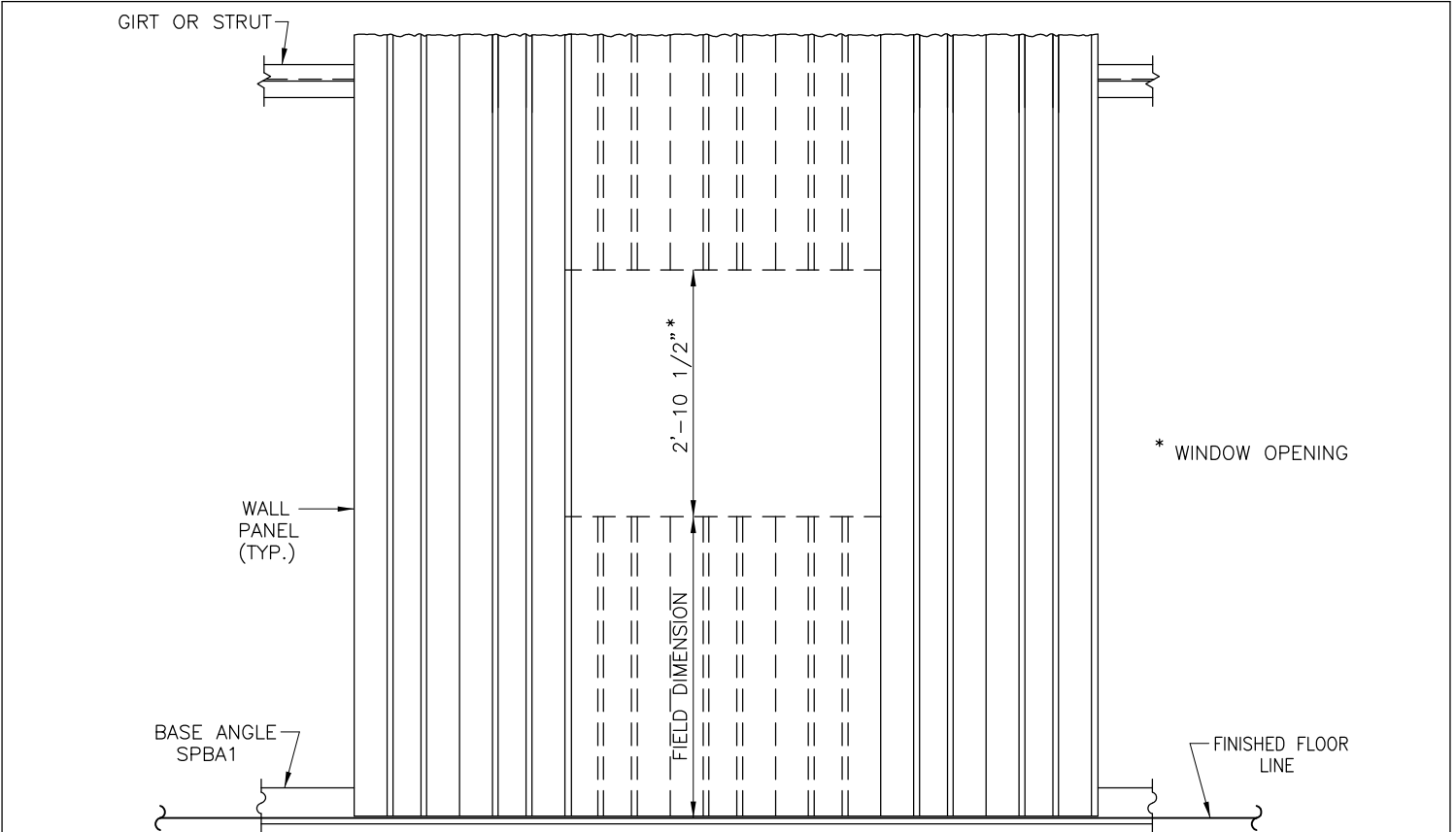
Panel Opening Detail (4' x 3' Window)
Shadow Panel Walls
WN07/AD



[Download the DWG file by clicking here.](#)

[To Section Index](#)

Panel Cut Detail (4' x 3' Window)
Shadow Panel Walls
WN09A/AD



SAFETY PRECAUTION:
WORKERS SHOULD ALWAYS WEAR
GLOVES WHEN HANDLING METAL
SURFACES WITH SHARP EDGES.

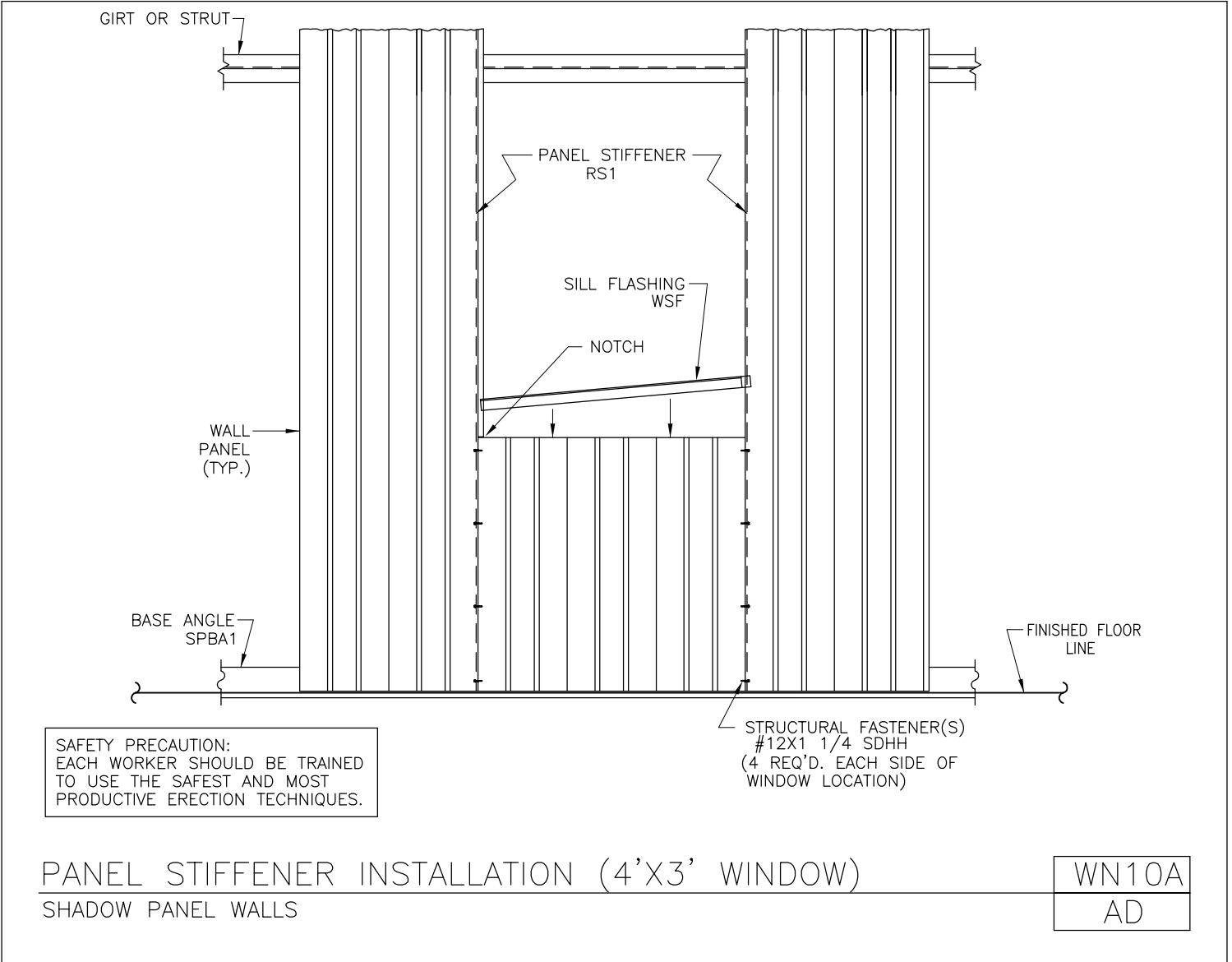
PANEL CUT DETAIL (4'X3' WINDOW)
SHADOW PANEL WALLS

WN09A
AD

[Download the DWG file by clicking here.](#)

[To Section Index](#)

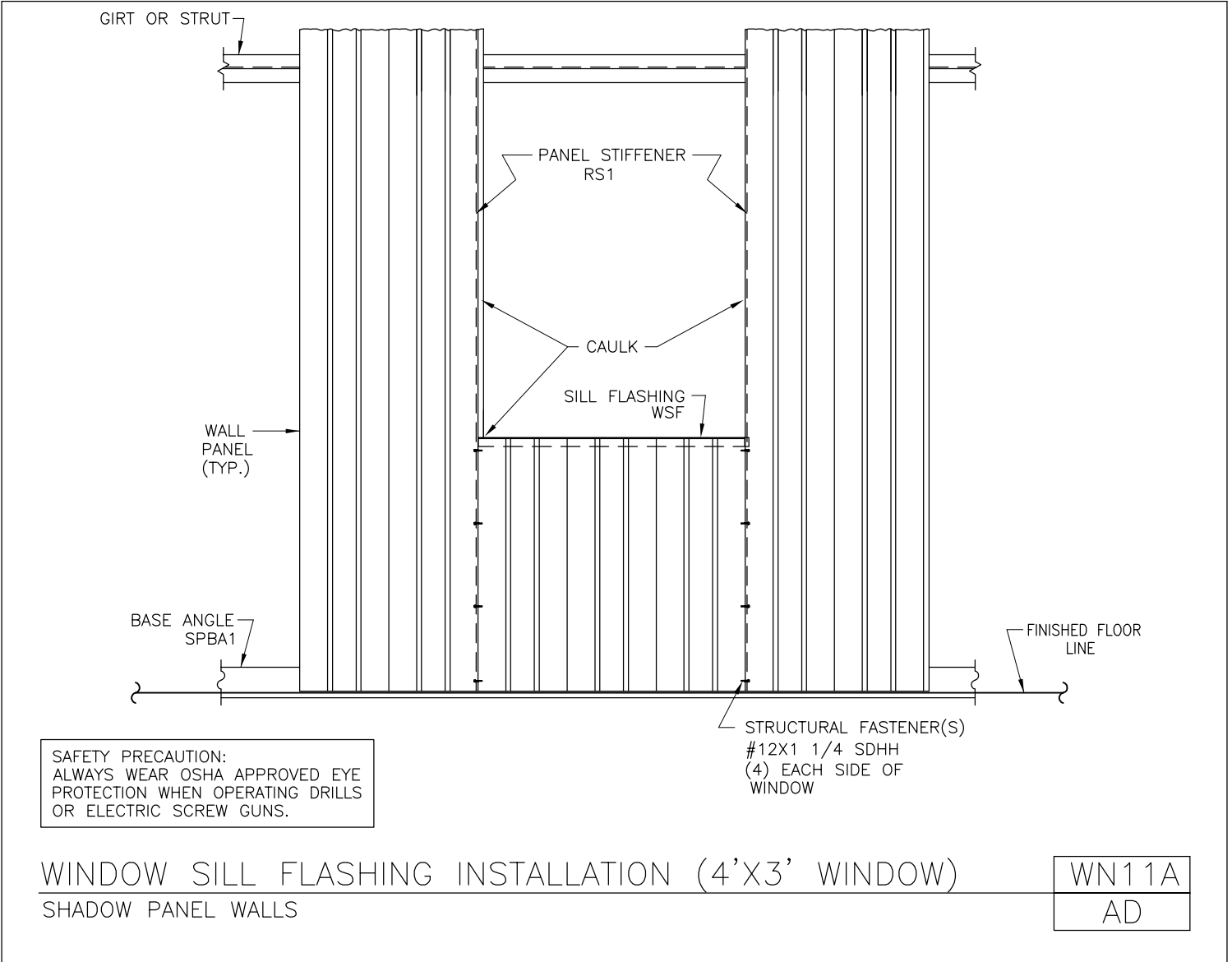
Panel Stiffener Installation (4' x 3' Window)
Shadow Panel Walls
WN10A/AD



[Download the DWG file by clicking here.](#)

[To Section Index](#)

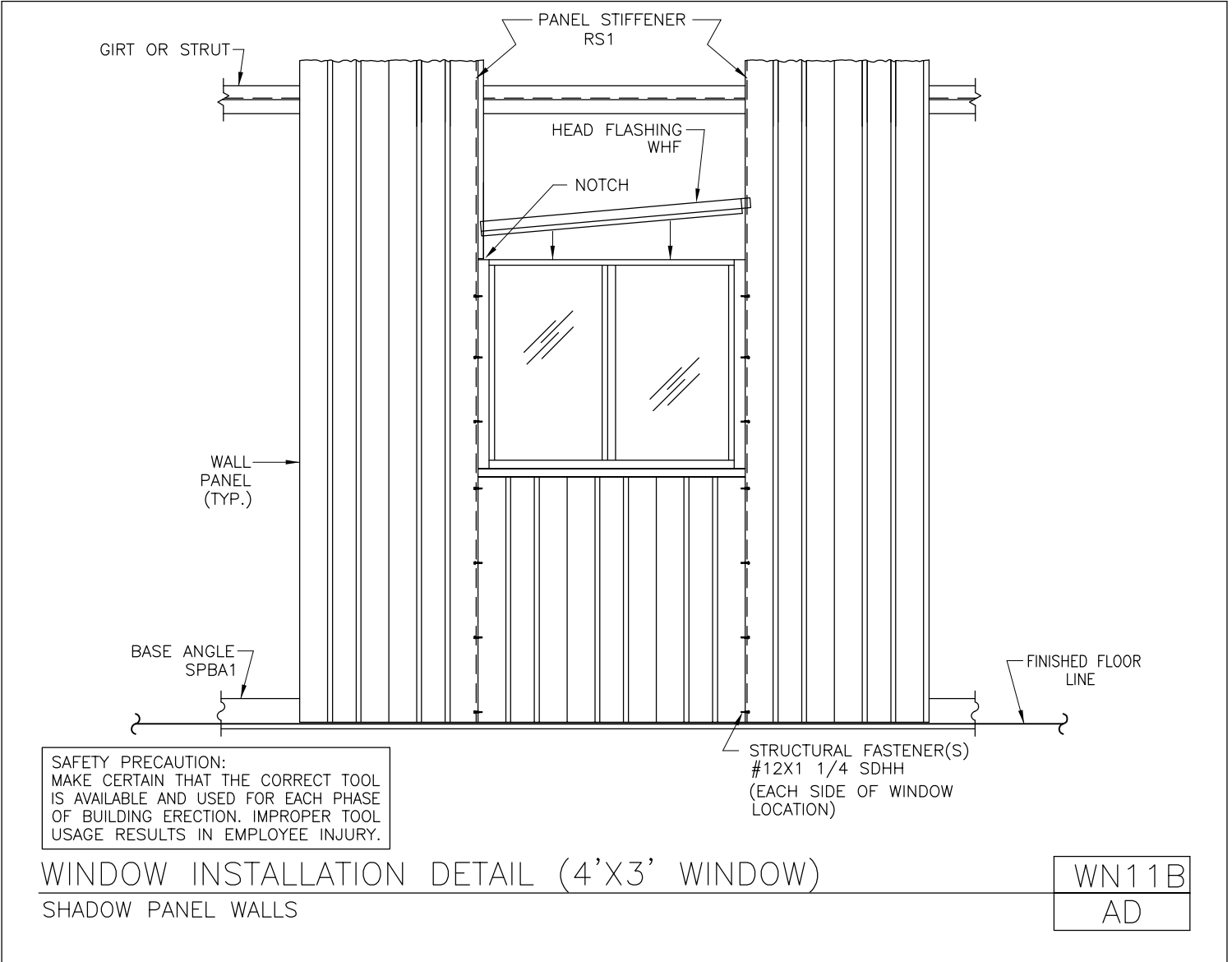
Window Sill Flashing Installation (4' x 3' Window)
Shadow Panel Walls
WN11A/AD



[Download the DWG file by clicking here.](#)

[To Section Index](#)

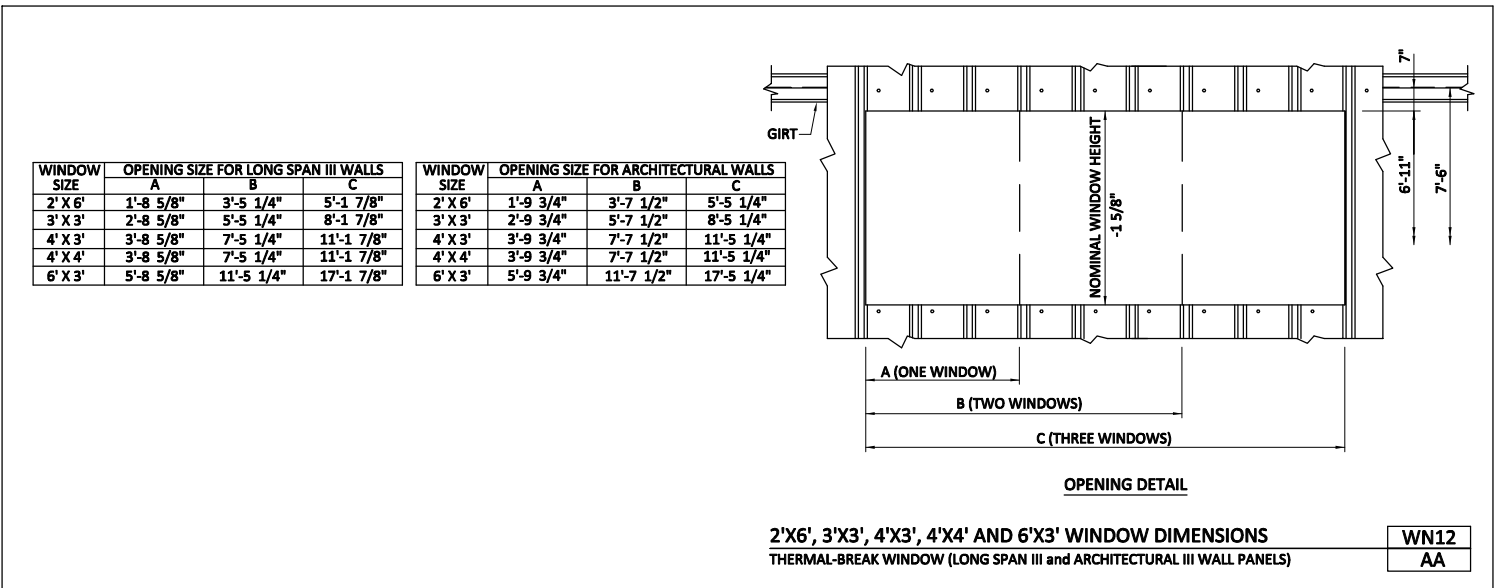
Window Installation Detail (4' x 3' Window)
Shadow Panel Walls
WN11B/AD



[Download the DWG file by clicking here.](#)

[To Section Index](#)

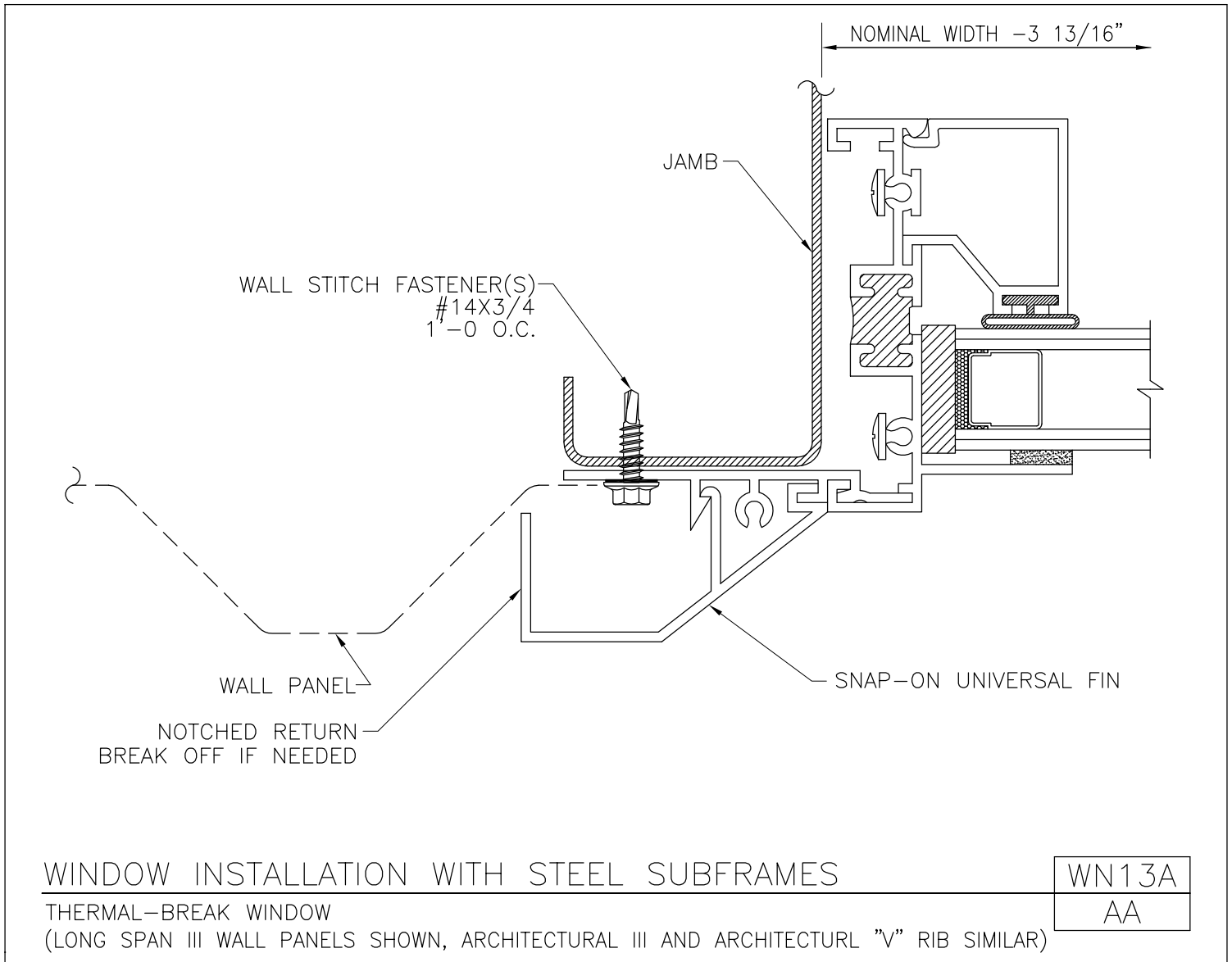
2' x 6', 3' x 3', 4' x 3', 4' x 4' and 6' x 3' Window Dimensions
Thermal-Break Window (Long Span III and Architectural III Wall Panels)
WN12/AA



[Download the DWG file by clicking here.](#)

[To Section Index](#)

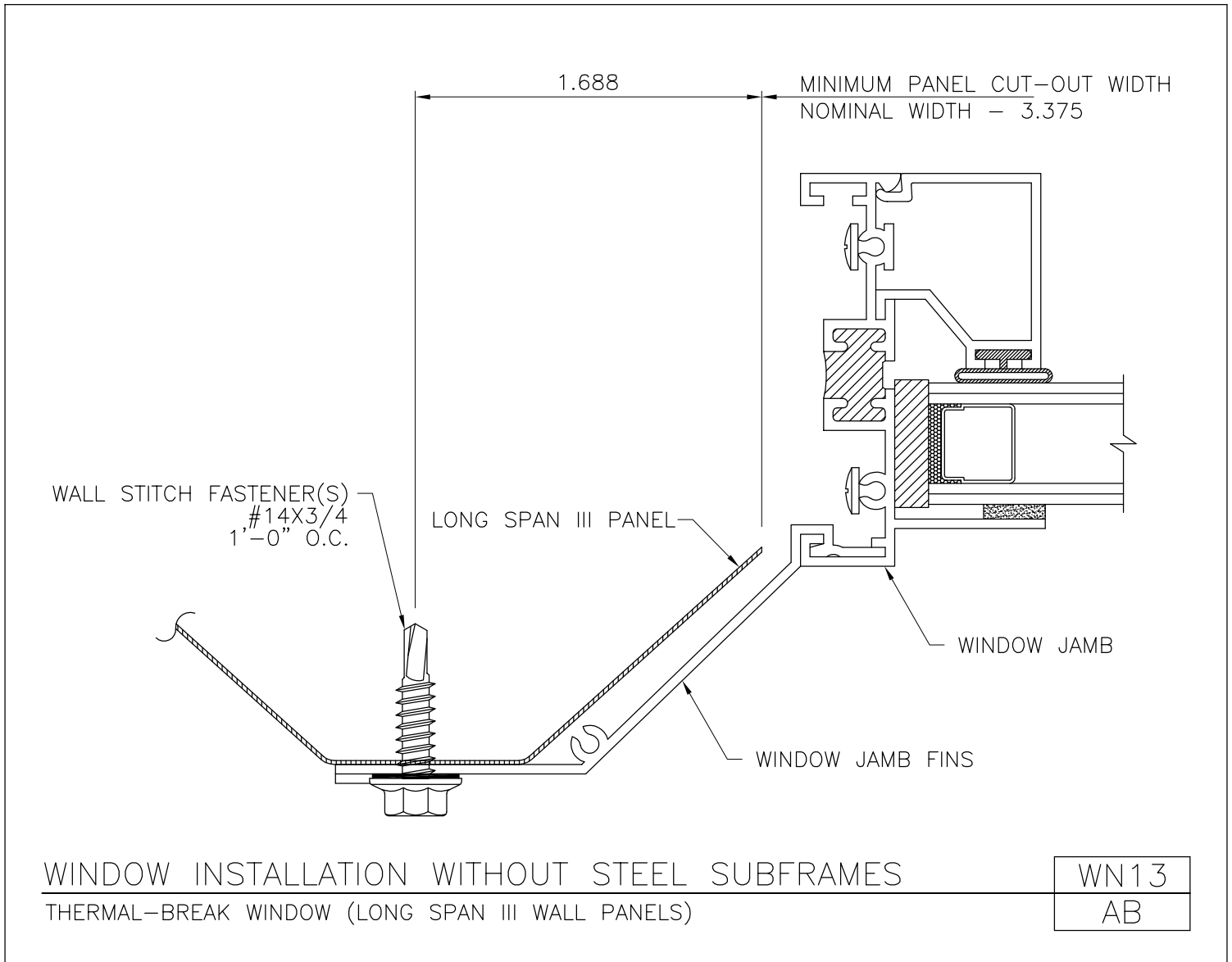
Window Installation with Steel Subframes
 Thermal Break Window (Long Span III Panels Shown, Architectural III and Architectural "V" Rib Similar)
 WN13A/AA



[Download the DWG file by clicking here.](#)

[To Section Index](#)

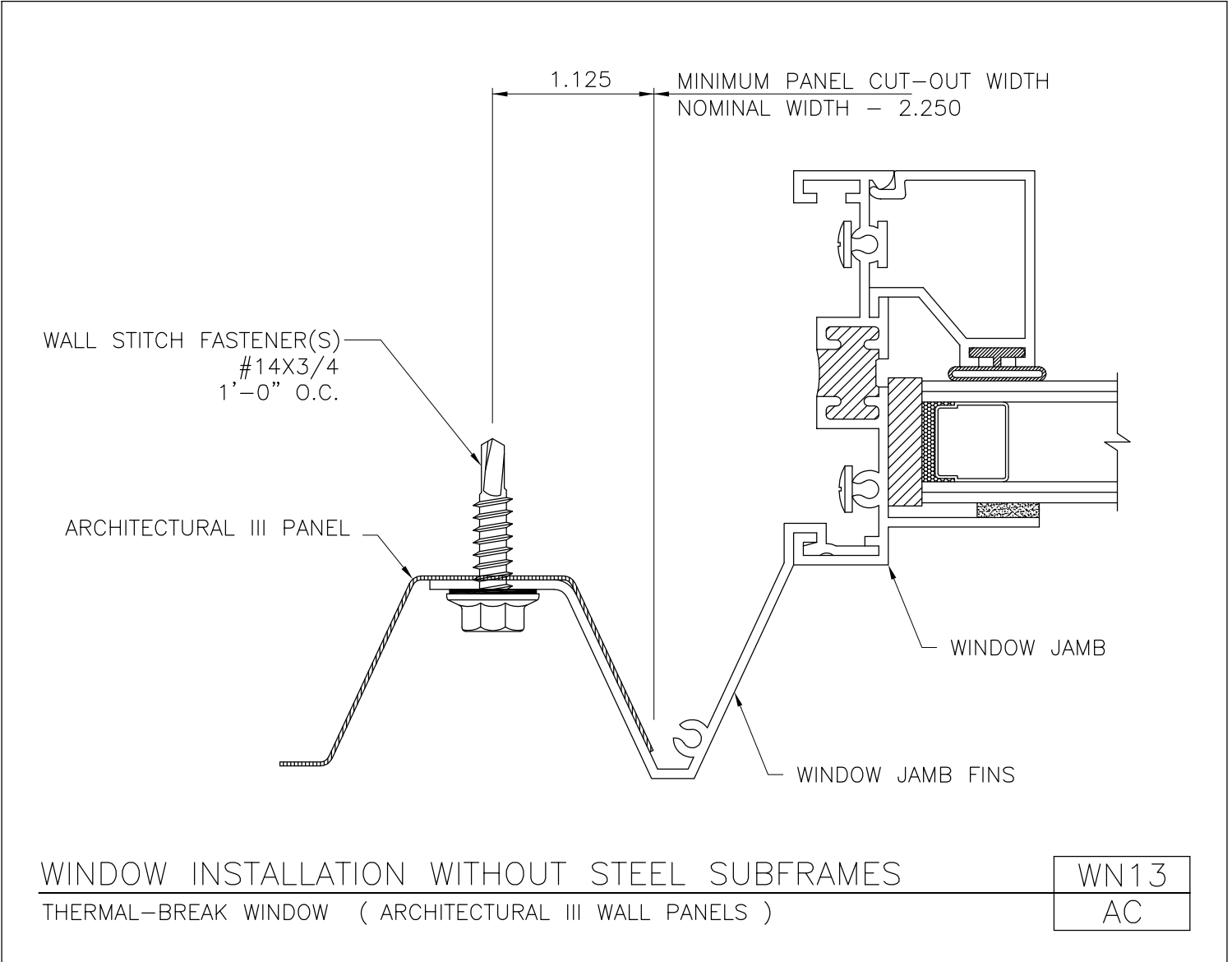
Window Installation Without Steel Subframes
Thermal-Break Window (Long Span III Wall Panels)
WN13/AB



[Download the DWG file by clicking here.](#)

[To Section Index](#)

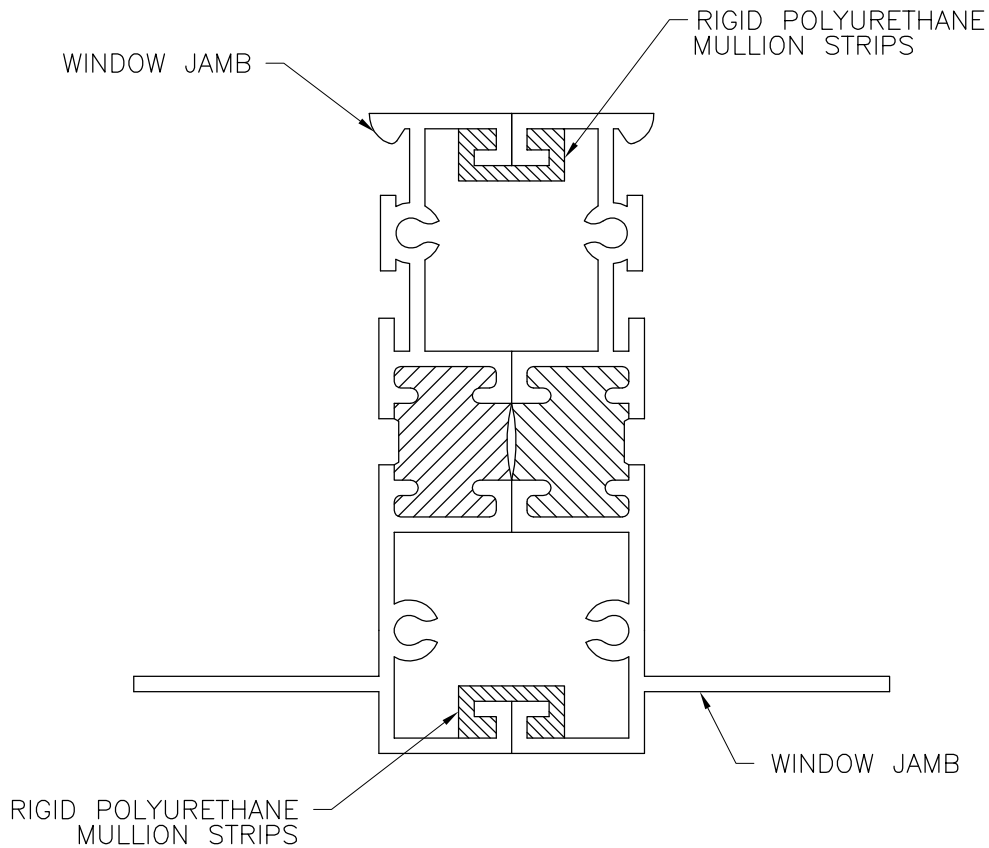
Window Installation Without Steel Subframes
Thermal-Break Window (Architectural III Wall Panels)
WN13/AC



[Download the DWG file by clicking here.](#)

[To Section Index](#)

3' x 3', 4' x 3', 4' x 4', and 6' x 3' Window Mullion
 Thermal-Break Window (Long Span III and Architectural III Wall Panels)
 WN14/AA



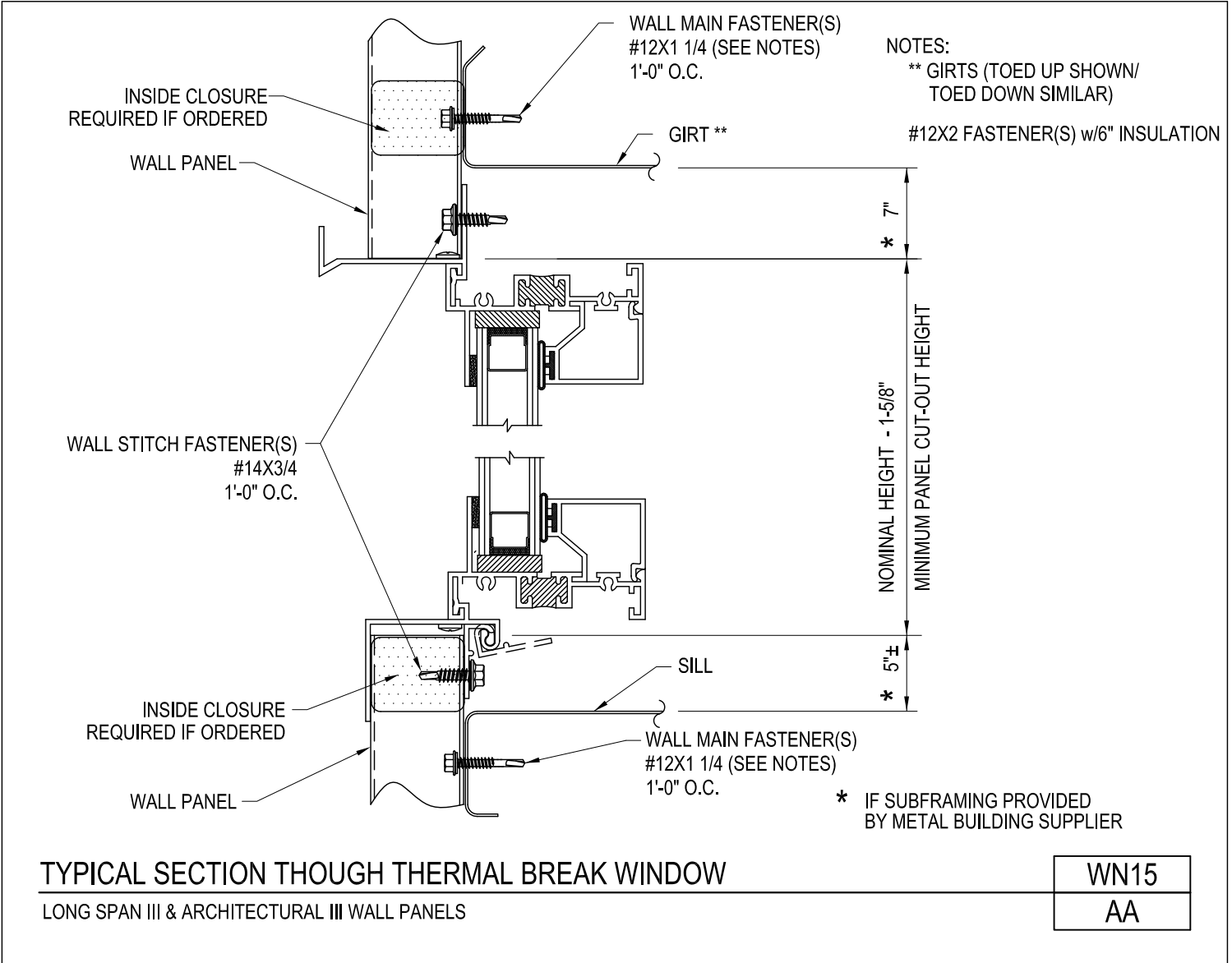
3'X3', 4'X3', 4'X4' AND 6'X3' WINDOW MULLION
 THERMAL-BREAK WINDOW (LONG SPAN III AND ARCHITECTURAL III WALL PANELS)

WN14
AA

[Download the DWG file by clicking here.](#)

[To Section Index](#)

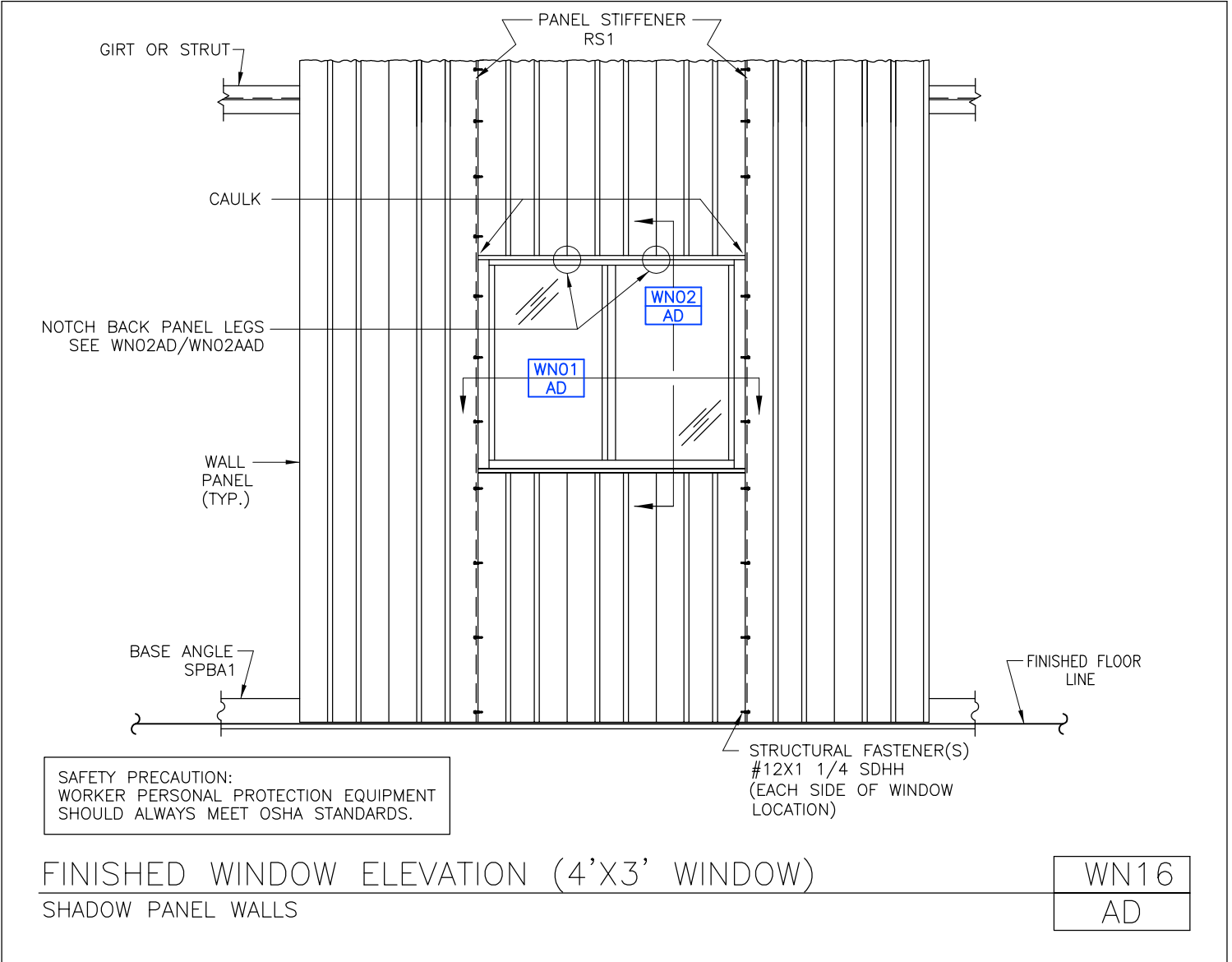
Typical Section Through Thermal Break Window
Long Span III & Architectural III Wall Panels
WN15/AA



[Download the DWG file by clicking here.](#)

[To Section Index](#)

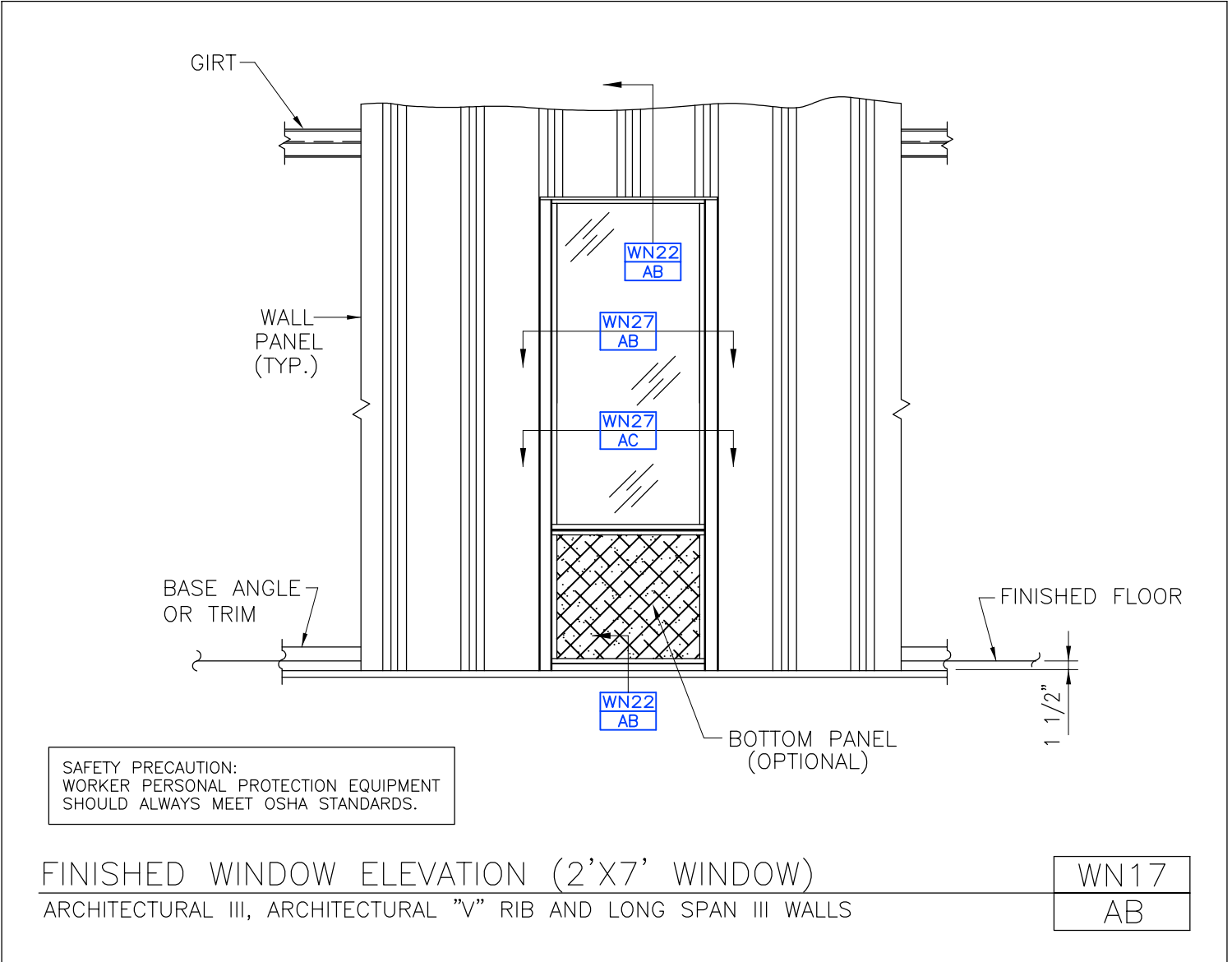
Finished Window Elevation (4' x 3' Window)
Shadow Panel Walls
WN16/AD



[Download the DWG file by clicking here.](#)

[To Section Index](#)

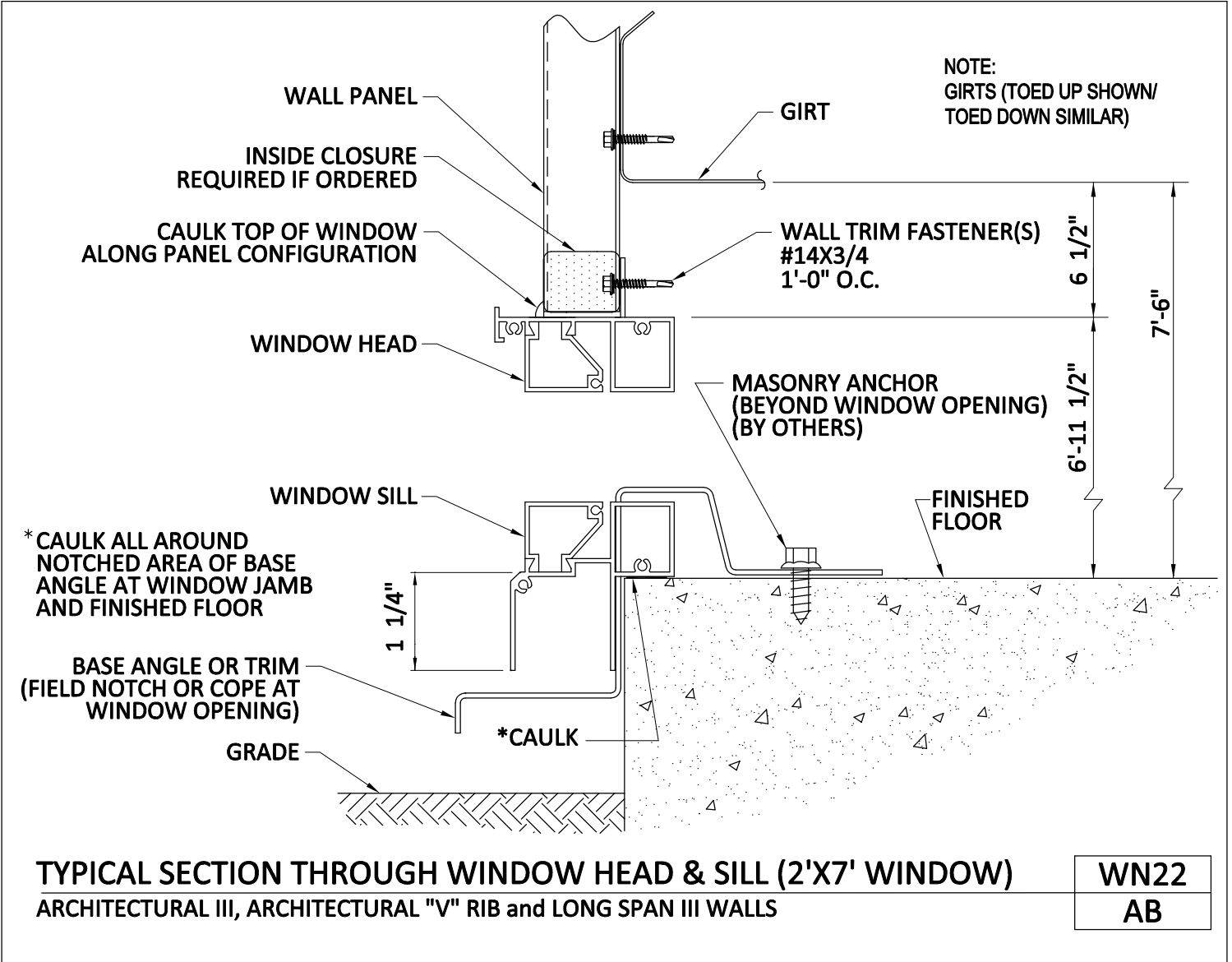
Finished Window Elevation (2' x 7' Window)
Architectural III, Architectural "V" Rib and Long Span III Walls
WN17/AB



[Download the DWG file by clicking here.](#)

[To Section Index](#)

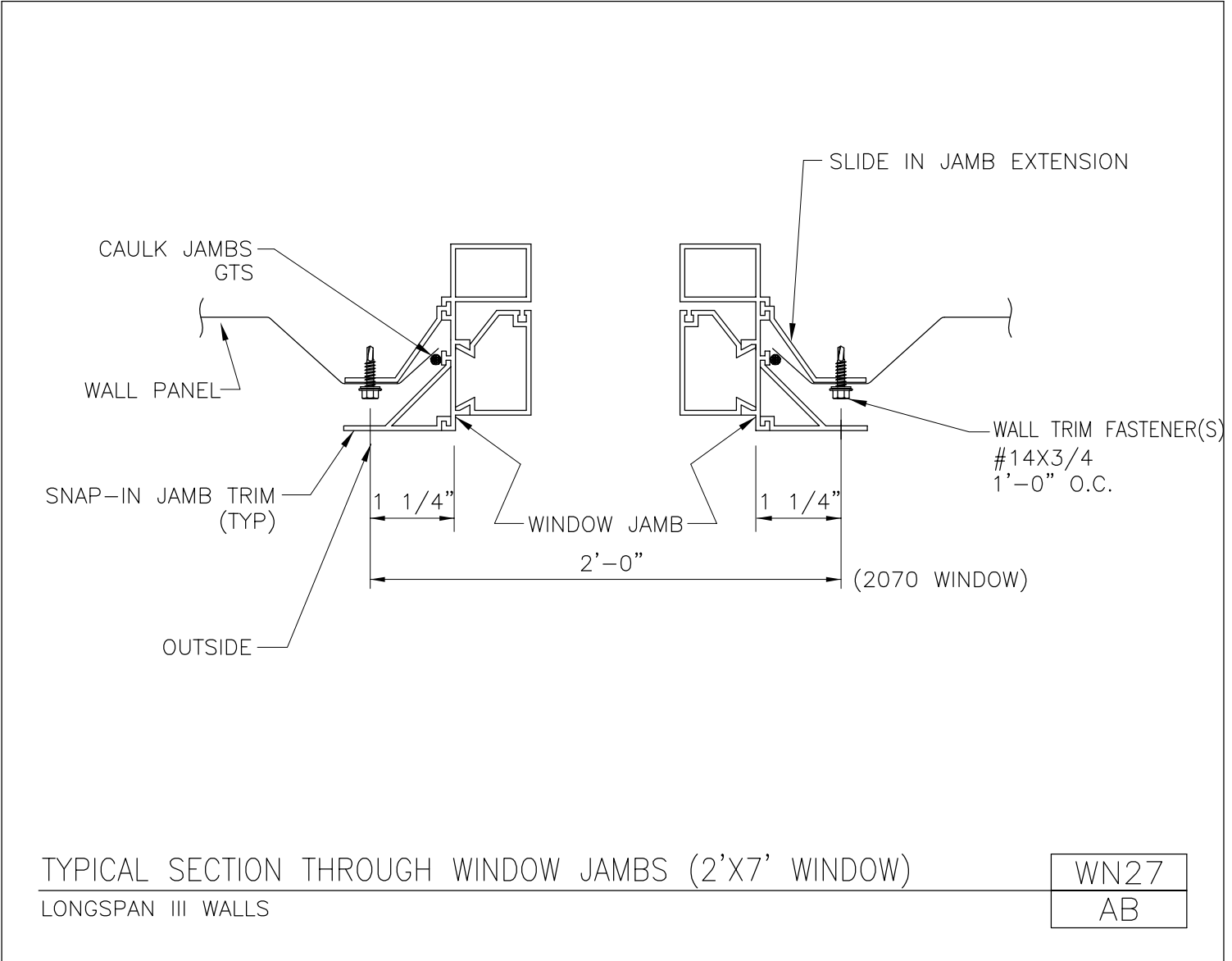
Typical Section Through Window Head & Sill (2' x 7' Window)
Architectural III, Architectural "V" Rib and Long Span III Walls
WN22/AB



[Download the DWG file by clicking here.](#)

[To Section Index](#)

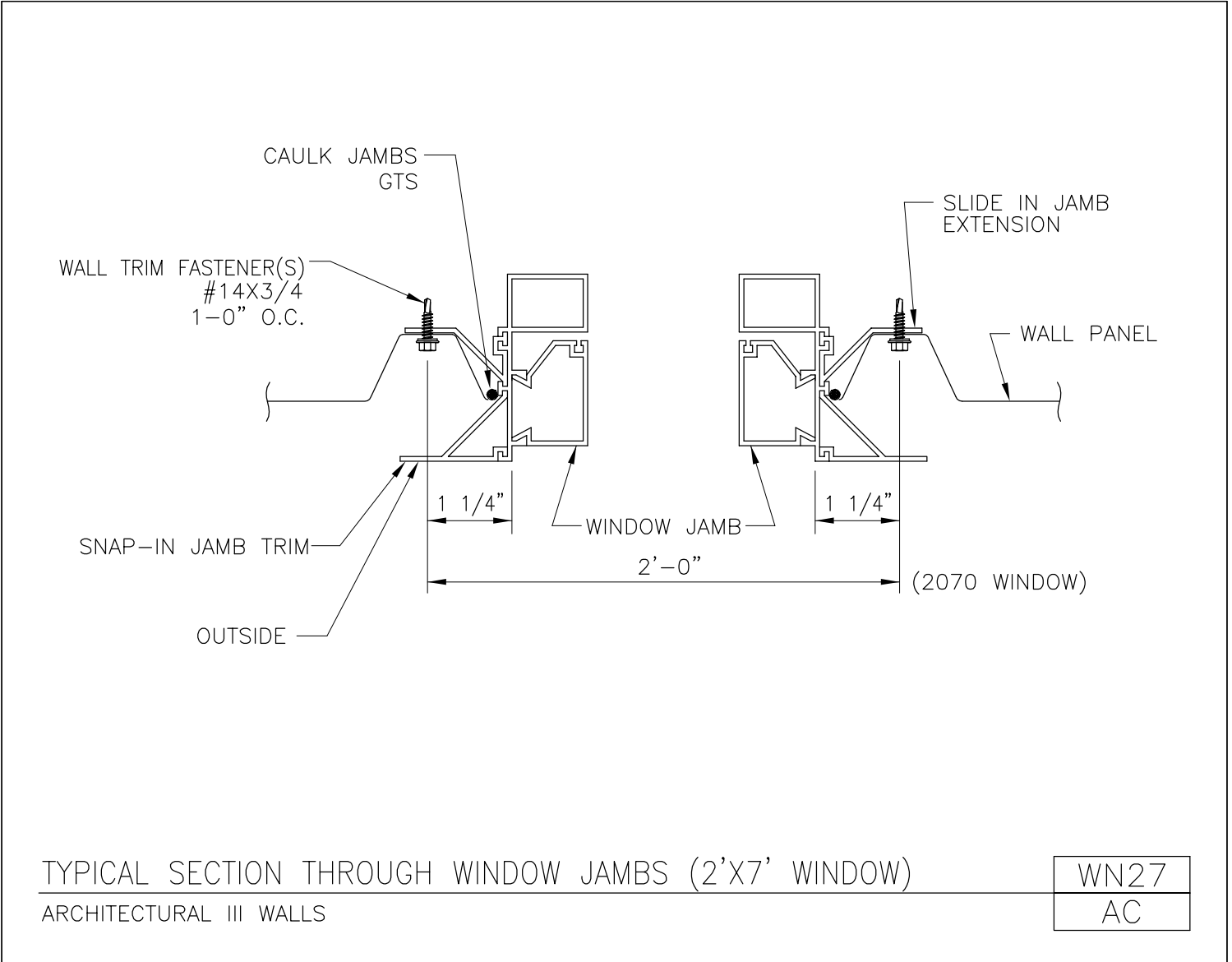
Typical Section Through Window Jambs (2' x 7' Window)
Long Span III Walls
WN27/AB



[Download the DWG file by clicking here.](#)

[To Section Index](#)

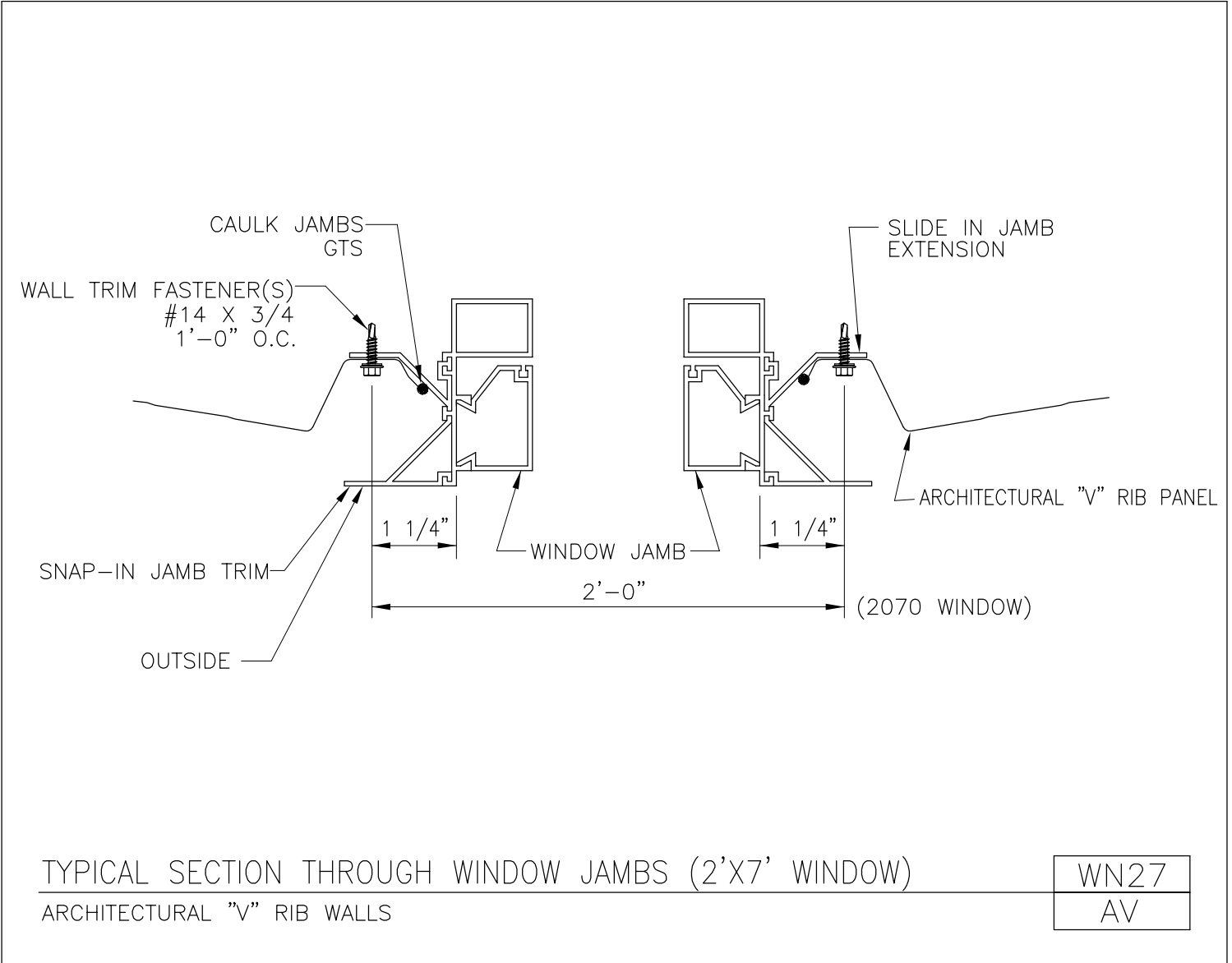
Typical Section Through Window Jambs (2' x 7' Window)
Architectural III Walls
WN27/AC



[Download the DWG file by clicking here.](#)

[To Section Index](#)

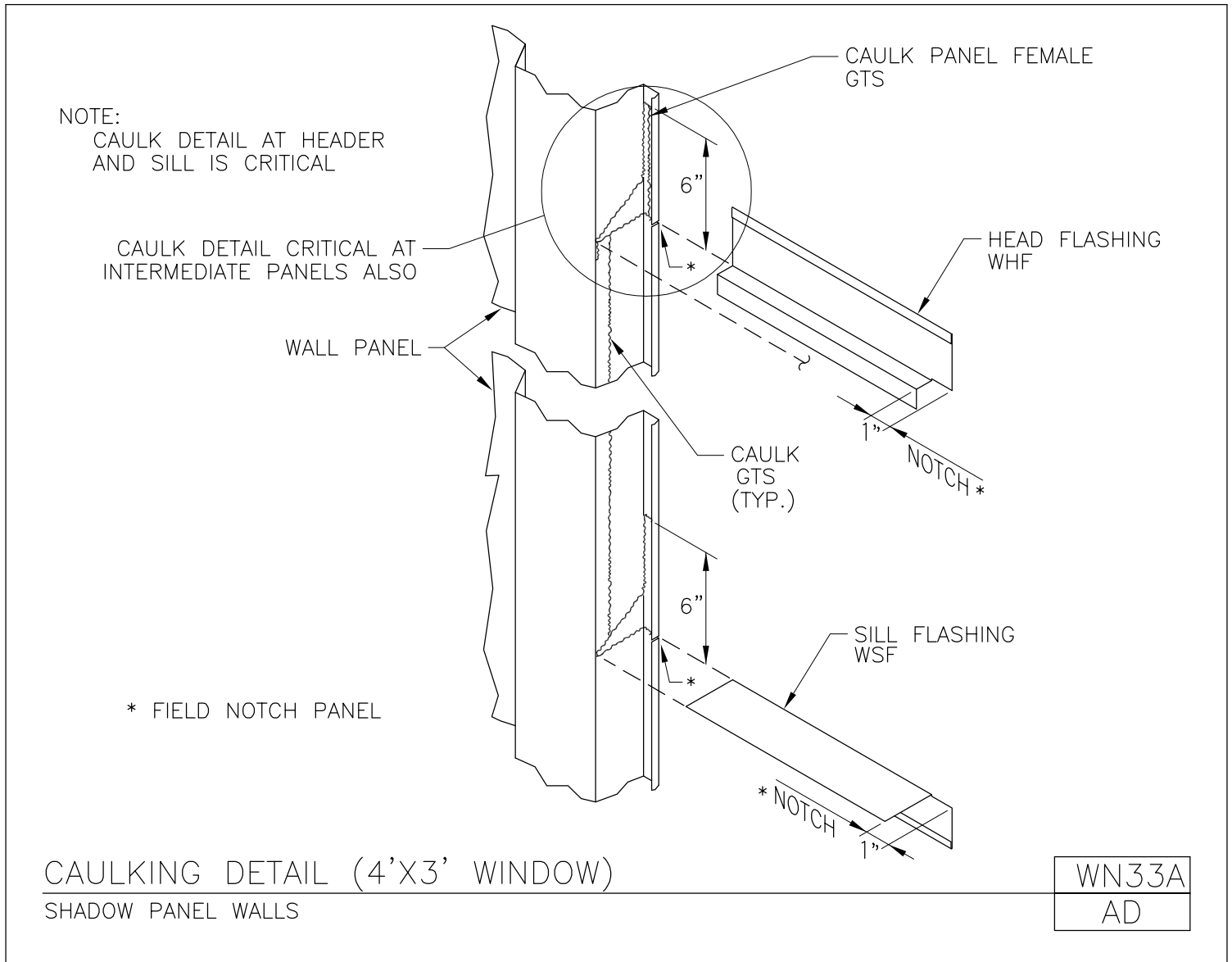
Typical Section Through Window Jambs (2' x 7' Window)
Architectural "V" Rib Walls
WN27/AV



[Download the DWG file by clicking here.](#)

[To Section Index](#)

Caulking Detail (4' x 3' Window)
Shadow Panel Walls
WN33A/AD



[Download the DWG file by clicking here.](#)

[To Section Index](#)